

UNIQUE FEATURES & SPECIFICATIONS

ALL-IN-ONE TRUE HEPA FILTRATION SYSTEM

- **TRUE HEPA FILTRATION**
 - Removes up to 99.97% of airborne particles as small as 0.3 microns, such as allergens, pollen, dust, germs, pet dander, odor, mold spores, and smoke that passes through the filter.
- **PETPLUS ODOR FILTRATION**
 - Reduces litter box odor, wet dog smell, household odors and VOCs (volatile organic compounds)/gases as shown by independent laboratory testing.
- **PREFILTER**
 - Captures large particles

UV-C TECHNOLOGY WITH ON/OFF

- When on, the UV-C technology light kills viruses and bacteria.

IONIZER WITH ON/OFF

- When on, the ionizer assists in the air purification process.

3 SPEEDS

- Low, medium, and high.

BUILT-IN TIMER

- Choose from 2, 4, 8, or 12 hours

REPLACE FILTER INDICATOR

- Illuminates when it is time to replace the filter.

SUGGESTED ROOM SIZE

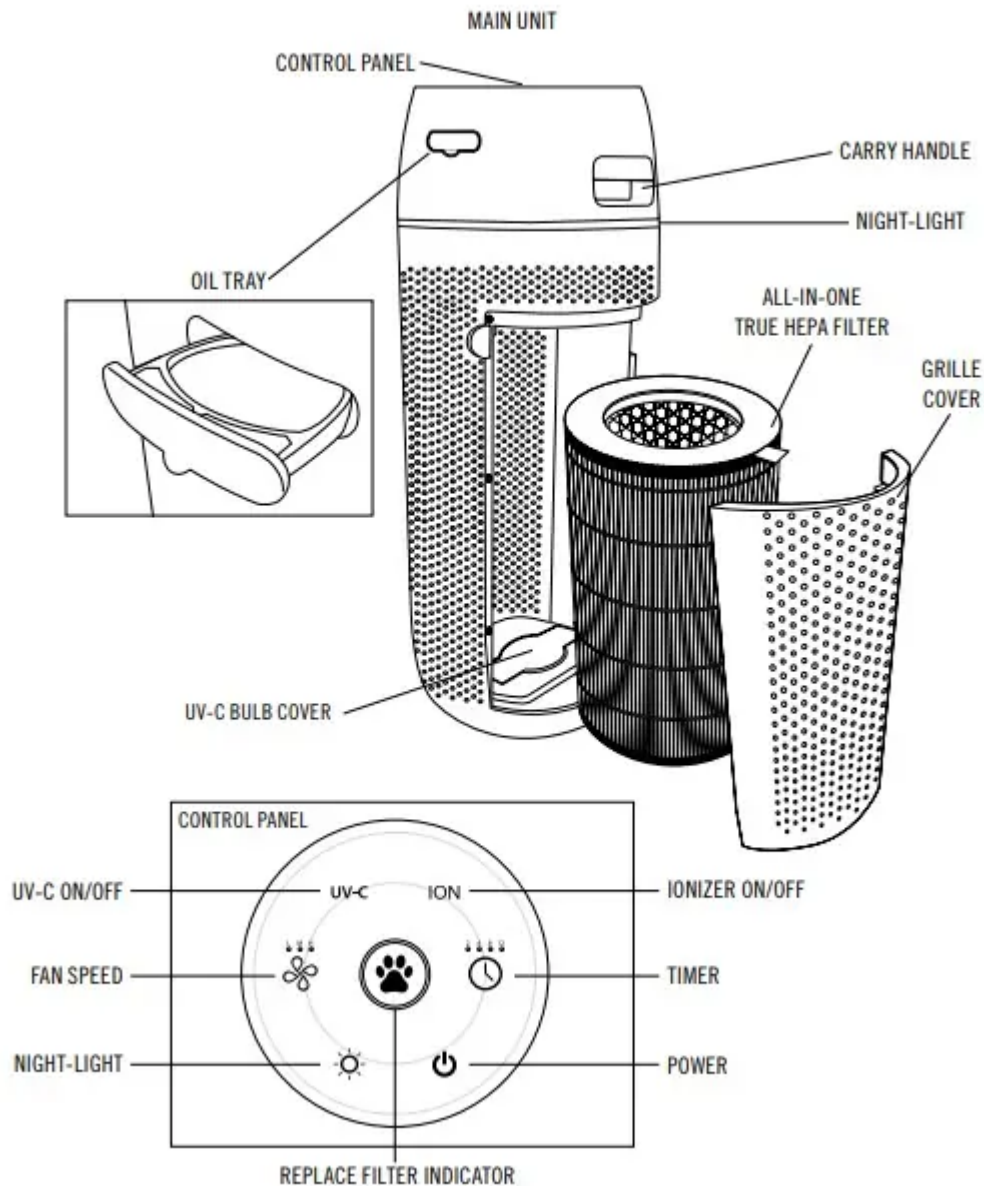
- 266 FT² /24.7 M² . Portable air purifiers will be more effective in rooms where all the doors and windows are closed.

AIR CHANGES PER HOUR

- This air purifier will purify the air in a 1343 FT² /124.7 M² room (assuming an 8 FT/2.43 M ceiling) 1 time per hour on high speed in a closed room.

OIL TRAY

- Includes 3 essential oil pads. Use with essential oil (not included) to deliver scent into the air.





HOW TO USE

BEFORE TURNING THE UNIT ON

- Take the air purifier out of the box and remove the clear protective plastic bag.
- Place the air purifier on a firm, level surface
- Plug the power cord into a household electrical outlet.

POWER BUTTON AND FAN SPEED SETTINGS

- To turn the air purifier on, press the power  button.
- This air purifier has 3 fan speed settings: low (1), medium (2), and high (3). The higher the fan speed setting, the faster the air will be purified. To select or change fan speed, press the fan speed  button until the desired setting is reached.

UV-C TECHNOLOGY WITH ON/OFF

- UV-C technology kills viruses and bacteria by penetrating its DNA, resulting in the microorganism's death or the inability to reproduce. Press the UV-C button to turn the UV-C technology on. The LED will glow. Press the UV-C button again to turn the UV-C technology off.

IONIZER SETTING WITH ON/OFF


- Ion particles have a negative charge that attaches to airborne particles, making them easier to be captured by the filtration system. Press the ionizer ION button to turn the ionizer on. The LED will glow to indicate the ionizer is in use. Press the ionizer ION button again to turn the ionizer off

NOTE: Dust particles may accumulate on surfaces around the air purifier when the ionizer is in use. These dust particles can be vacuumed or wiped away with a soft, damp cloth.




NOTE: You may hear occasional popping sounds when the ionizer is used. This is normal.

NOTE: The ionizer produces less ozone than the UL-established limits of 0.05 ppm. Ozone may be harmful around birds and small pets. To prevent ozone buildup, use the ionizer feature in a well-ventilated area.

NIGHT-LIGHT

- The night-light has 3 options. Press the night-light  button once to turn the night-light on. Press again to turn the night-light and the display lights off. Press a third time to turn the display lights on.

TIMER

- Press the timer  button until the desired timer setting is lit on the display. The timer  button will cycle through the following settings: 2 hours, 4 hours, 8 hours, 12 hours, and off. To cancel the timer at any time, press the timer  button until all timer LEDs are off. The air purifier will operate continuously when the timer is off.

OIL TRAY

- Use essential oil (not included) to deliver scent into the air.

NOTE: For use with the included HoMedics essential oil pads only. Do not add essential oils anywhere else in the unit, as it may cause damage.

NOTE: Do not leave a filled essential oil pad in the oil tray if it will be out of use for a long period of time.

ARE ESSENTIAL OILS SAFE TO USE AROUND PETS?

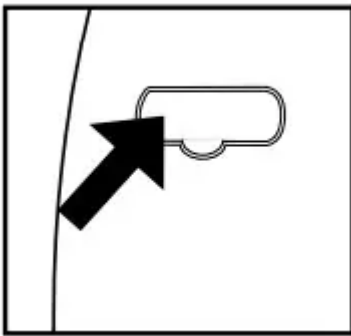
- We should always exercise caution when using essential oils around our pets. Keep all essential oil and aromatherapy products (like diffusers) out of reach of pets. Keep open

bottles away from pets to avoid internal consumption. We do not recommend the topical use of essential oils on pets, as they have a strong sense of smell and cannot get rid of the oil if they don't like it or it is disturbing them. When diffusing essential oils around pets, always diffuse in a well-ventilated area and leave an option for them to remove themselves from the space, such as leaving a door open. Every animal is different, so carefully observe how each animal responds when introducing an essential oil for the first time. If irritation occurs, discontinue the use of the essential oil. We recommend seeking medical attention if ingestion of essential oil occurs.

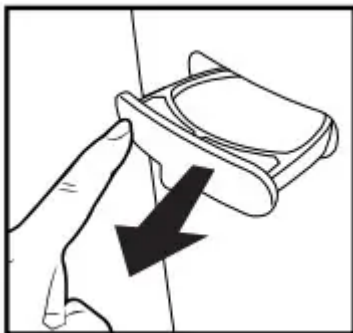
ADDING ESSENTIAL OILS

WARNING: PUTTING OIL ANYWHERE BUT THE OIL TRAY WILL DAMAGE THE AIR PURIFIER.

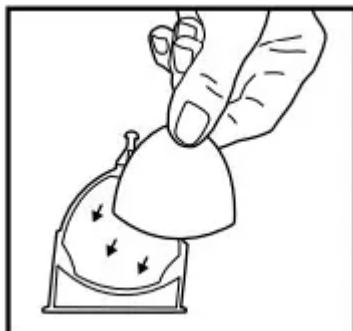
1. The oil tray is located on the side of the air purifier above the night-light.



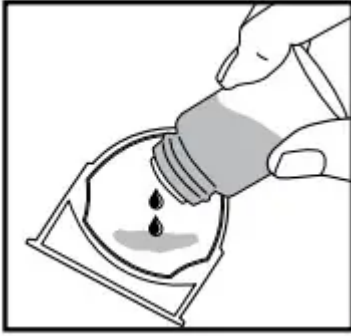
2. Push to open and remove the tray.



3. Place 1 aroma pad (3 included) into the oil tray.

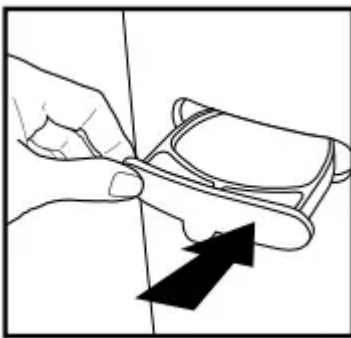


4. Add 5–7 drops of essential oil to the pad. You may use more or less depending on personal preference.



WARNING: Only place essential oil on the pad and NOT directly into the tray.

5. Place the oil tray back in its compartment and push to close. The scent will start automatically when the air purifier is turned on.



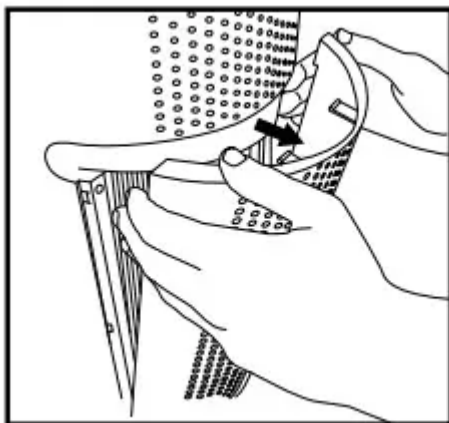
FILTER REPLACEMENT

REPLACE FILTER LIGHT

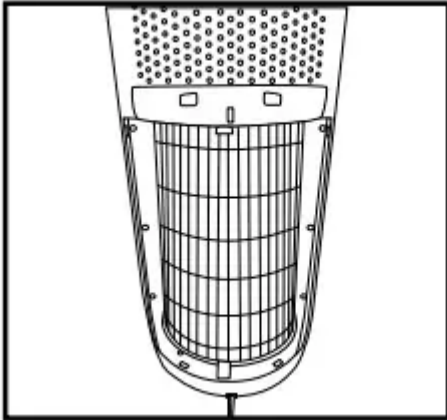
- The replace filter light illuminates when it is time to replace the True HEPA filter based on the air purifier's hours of use.

REPLACING THE TRUE HEPA FILTER

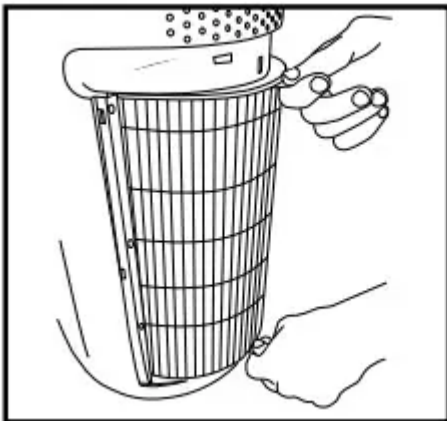
- For optimal performance, replace every 12 months under normal usage conditions.
1. Unplug the air purifier. Pull the indents on each side of the grille cover.



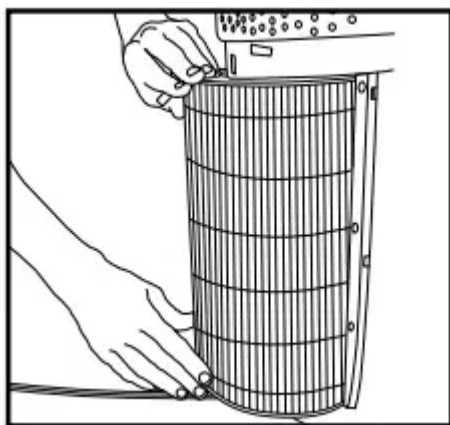
2. Remove the grille cover and set aside.



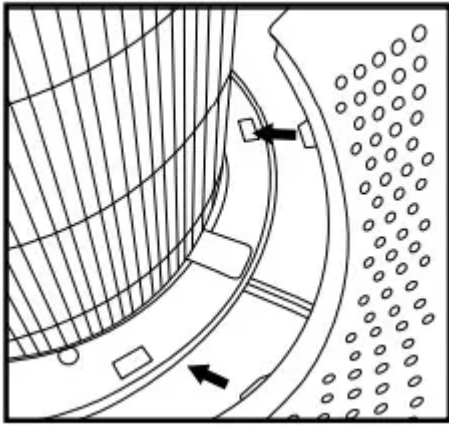
3. Pull the tabs to remove the old filter.




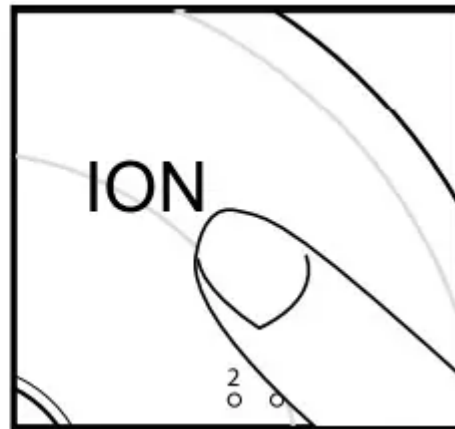
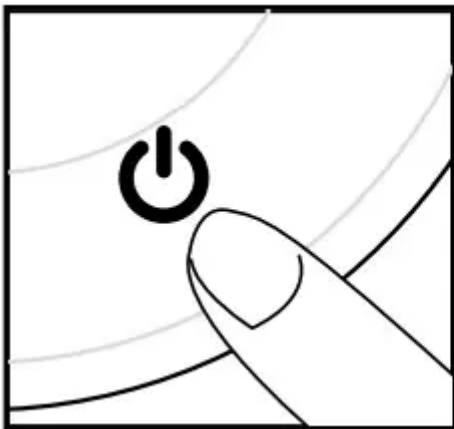
4. With the filter tabs facing outward, insert the new True HEPA filter.



5. Place the tabs at the bottom of the grille cover into the base of the air purifier. Gently push the grille cover until it snaps into place.



6. Plug the power cord into a standard AC outlet and press the power  button. Press and hold the ionizer ION button for 3 seconds to reset the indicator.



UV-C BULB REPLACEMENT

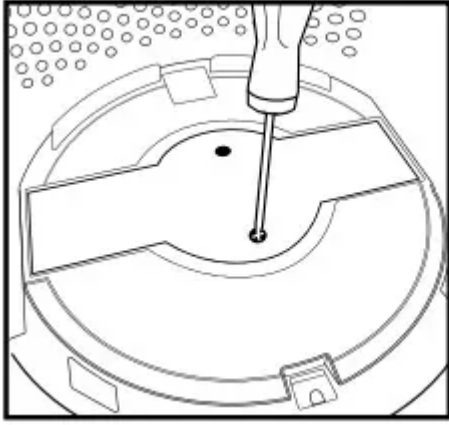
The UV-C bulb is designed to last for approximately 10,000 hours of use. The UV-C button on the control panel will flash RED when the UV-C bulb burns out and needs to be replaced.

NOTE: The air purifier will continue to operate without the UV-C function when the UV-C bulb burns out.

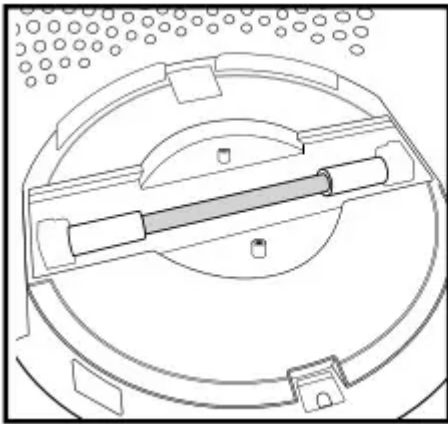
CAUTION: Do not operate the air purifier without the protective UV-C bulb cover.

CAUTION: Unplug the power cord before servicing or replacing the UV-C bulb.

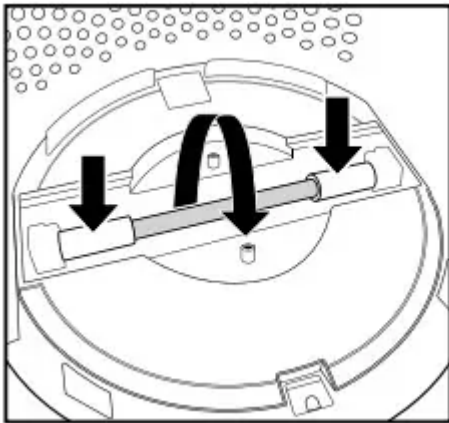
1. Unplug the air purifier and remove the True HEPA filter. Using a Phillips-head screwdriver (not included), unscrew the 2 screws located on the UV-C bulb cover.



2. Remove the cover to expose the UV-C bulb.

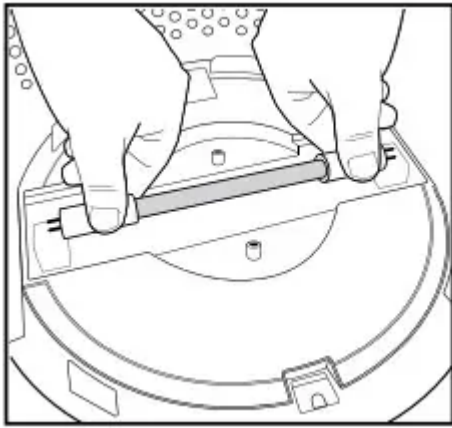


3. Gently push from the sides and rotate the UV-C bulb to remove.



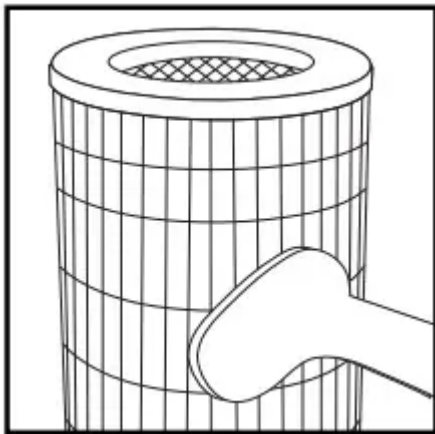
4. Remove and replace the UV-C bulb. Reinstall the UV-C bulb cover, True HEPA filter, and grille cover.





CLEANING AND MAINTENANCE

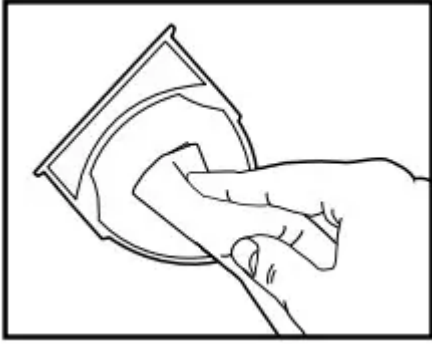
CLEANING THE PREFILTER



NOTE: For best performance, vacuum the prefilter once a month under normal usage.

1. Unplug the air purifier.
2. Remove the True HEPA filter as described in the Replacing the True HEPA Filter section.
3. Vacuum the outside of the True HEPA filter using the brush attachment of your vacuum cleaner, cleaning it thoroughly.
4. Place the True HEPA filter back into the air purifier and close the grille.
5. Plug the power cord into a household electrical outlet.

TO CLEAN THE OIL TRAY



- Open the oil tray and remove the pad. Essential oil pads should be changed when switching to a different essential oil scent. If continuing to use the same scent, set the essential oil pad aside for reuse. Wipe down the inside of the oil tray with a soft cloth. Place the essential oil pad back in the tray and close.

NOTE: Leave the essential oil pad out of the oil tray when storing.

FOR BEST PERFORMANCE:

- NEVER use water or any household cleaners or detergents to clean the True HEPA filter.
- Clean off the outside of the unit with a soft, dry cloth as needed.
- NEVER use water, wax, polish, or any chemical solution to clean the outside of the unit.
- Clean off the grille cover using a soft, damp cloth or the brush attachment of your vacuum as needed.
- Replace the True HEPA filter every 12 months under normal usage conditions.
- Always use a genuine HoMedics replacement filter for optimal performance.

TROUBLESHOOTING

PROBLEM	POSSIBLE CAUSE	SOLUTION
Unit will not operate	Unit is not plugged in	Plug unit in
	Power button is not pressed	Press the power button to turn the power on
	No power to unit	Check circuits, fuses, try a different outlet
	True HEPA filter is not installed correctly	Reinstall the True HEPA filter
	Grille cover is not installed correctly	Reinstall the grille cover
Reduced airflow	The grille may be blocked	Check to make sure nothing is blocking the grille and air outlet
	Pre-filter needs to be vacuumed	Vacuum the pre-filter with the brush attachment of your vacuum cleaner
	The True HEPA filter needs to be replaced	Replace the True HEPA filter
Reduced odor removal	The True HEPA filter needs to be replaced	Replace the True HEPA filter
Excessive noise	The unit is not level	Place the unit on a flat, level surface
Replace filter light remains lit after filter replacement	The replace filter indicator needs to be reset	Press and hold the ionizer button for 3 seconds until the replace filter light turns off
Display lights are off	Night-light setting	Press the night-light button until the desired lights are on/off

Warning

This content is compiled from multiple sources and is provided for reference purposes only. It may not be complete or fully applicable to all situations. If you are unable to resolve your issue, please contact the product manufacturer or an authorized service provider for official support.

