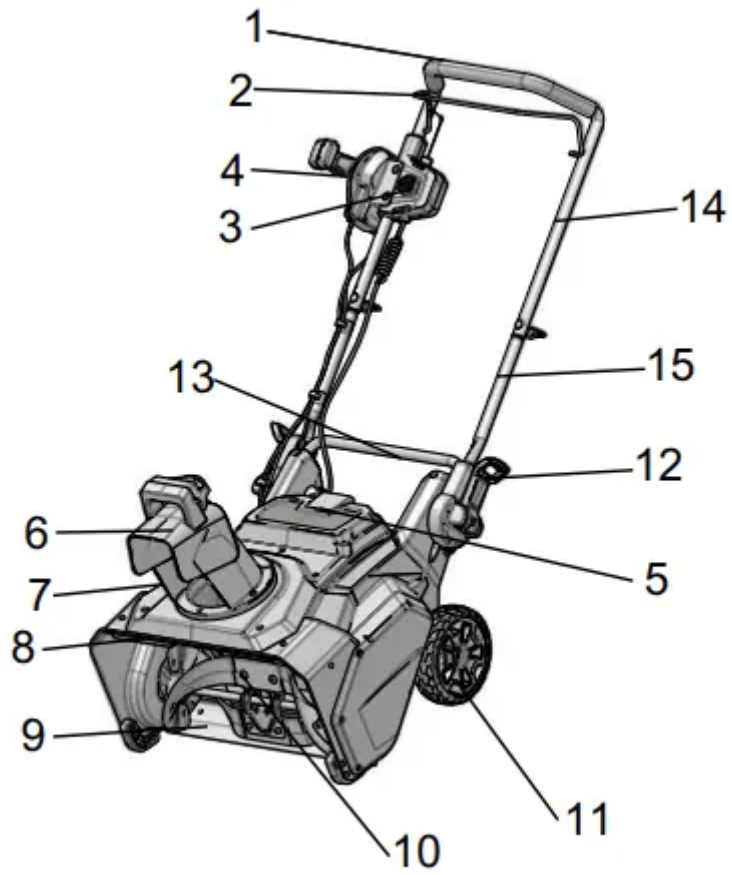


OVERVIEW



| | |
|------------------------|---------------------------|
| 1 Handle bar | 17 Bolt |
| 2 Bail lever | 18 Screw |
| 3 Safety switch button | 19 Nut |
| 4 Chute control rod | 20 Battery pack |
| 5 Battery door | 21 Battery release button |
| 6 Chute deflector | 22 Trigger |
| 7 Discharge chute | 23 Chute-rotation box |
| 8 LED lights | 24 Switch box |
| 9 Scraper | 25 Slot |
| 10 Impeller | 26 Groove |
| 11 Wheel | 27 Side wear pad |
| 12 Quick-release lever | 28 Belt |
| 13 Lower handle | 29 Pulley |
| 14 Upper handle | 30 Skid plates |
| 15 Middle handle | 31 Spacer |
| 16 Knob | 32 Cam lock |

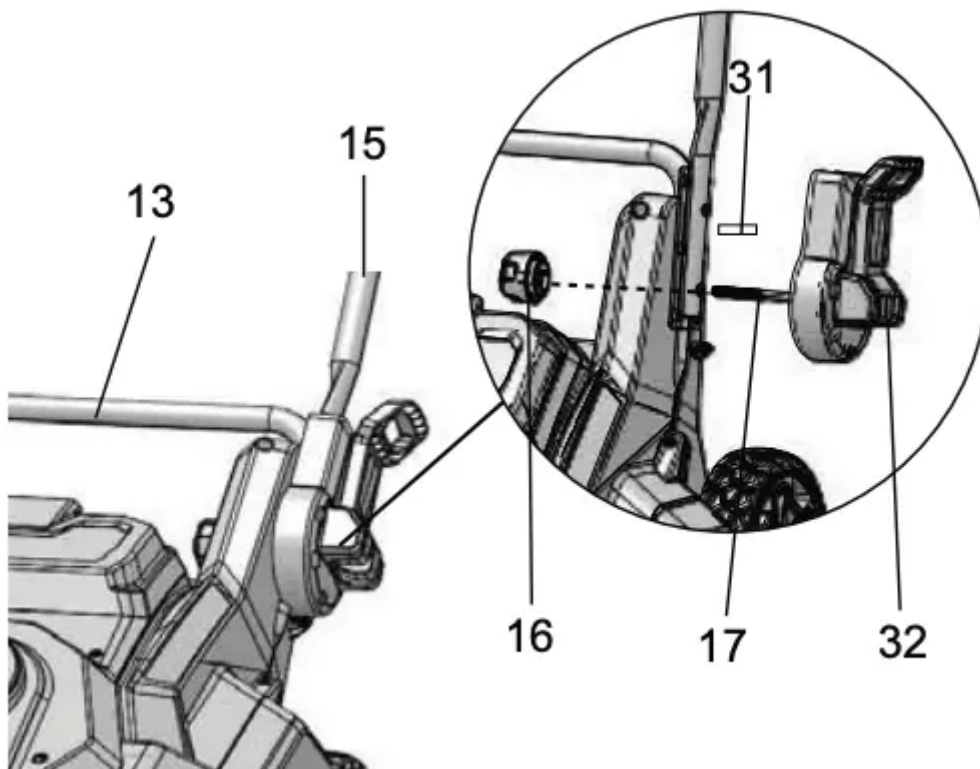
INSTALLATION

WARNING Do not change or make accessories that are not recommended by the manufacturer.

WARNING Do not connect to power supply until you assemble all the parts.

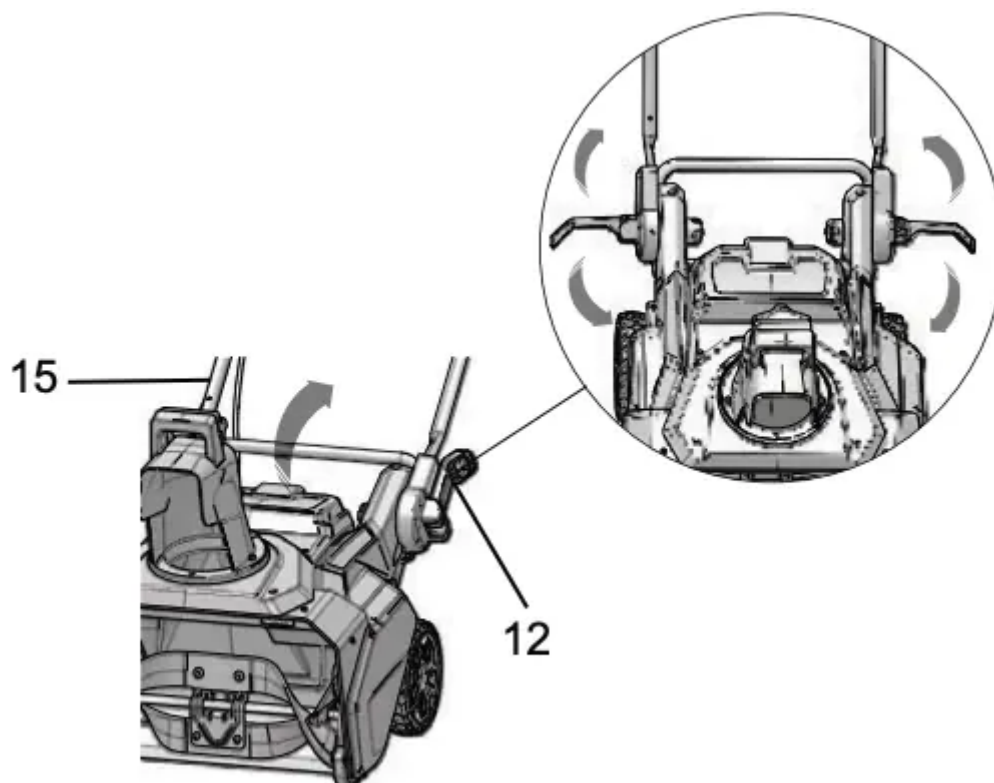
CAM LOCK ASSEMBLY

NOTE Do not tighten the knob until the cam lock is in place.



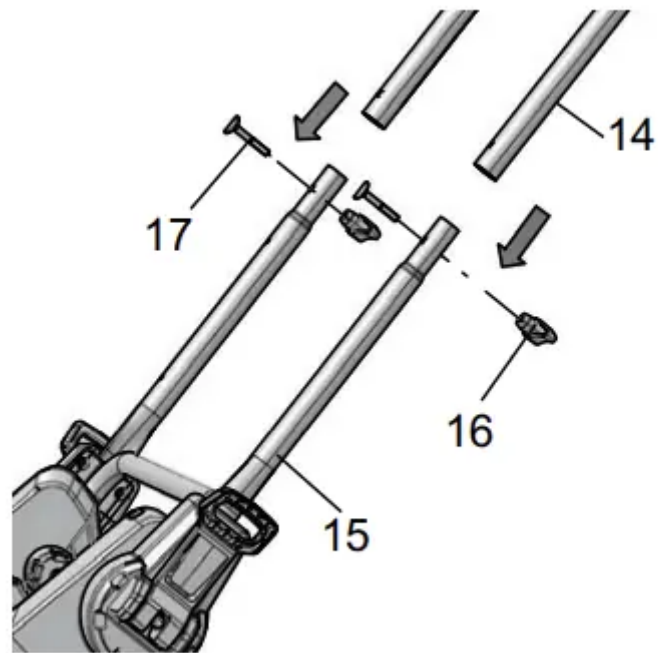
1. Remove the knob (16) and spacer (31) from the cam lock (32).
2. Insert the bolt (17) through the lower handle housing.
3. Slide the spacer (31) over the bolt (17).
4. Screw on the knob (16).
5. Fold the cam lock (32) to lock the handle into place.

UNFOLD THE MIDDLE HANDLE



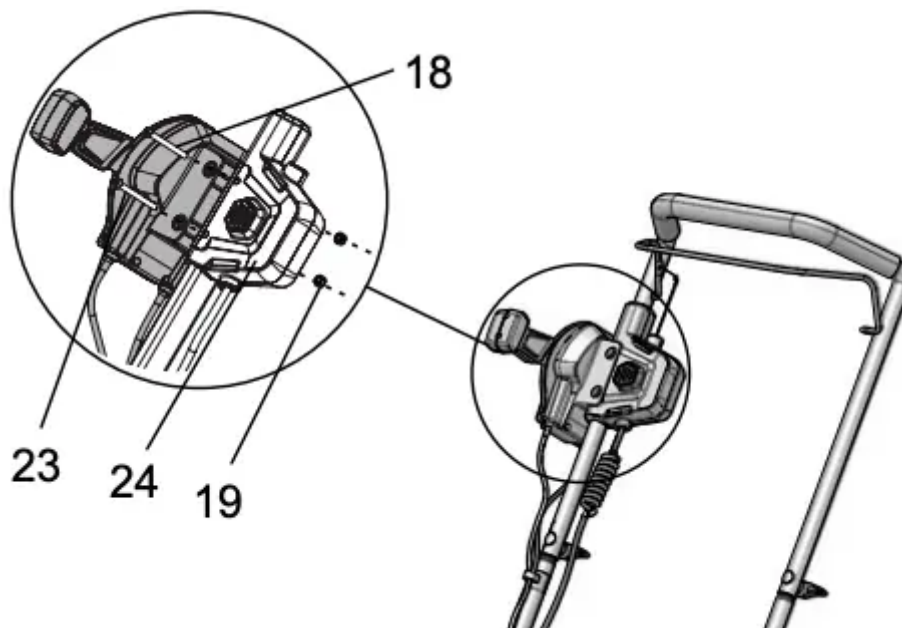
1. Open the quick-release levers (12) on the two sides of the middle handle (15).
2. Unfold the middle handle (15) until they come to a stop.
3. Close the quick-release levers (12).
4. Tighten the knobs (16) to hold the middle handle (15) in position.

INSTALL THE UPPER HANDLE



1. Align the holes in the middle handle (15) and the upper handle (14).
2. Put the bolts (17) through the holes.
3. Tighten the handle knobs (16) onto the bolts (17).
4. Do the same operation on the other side.

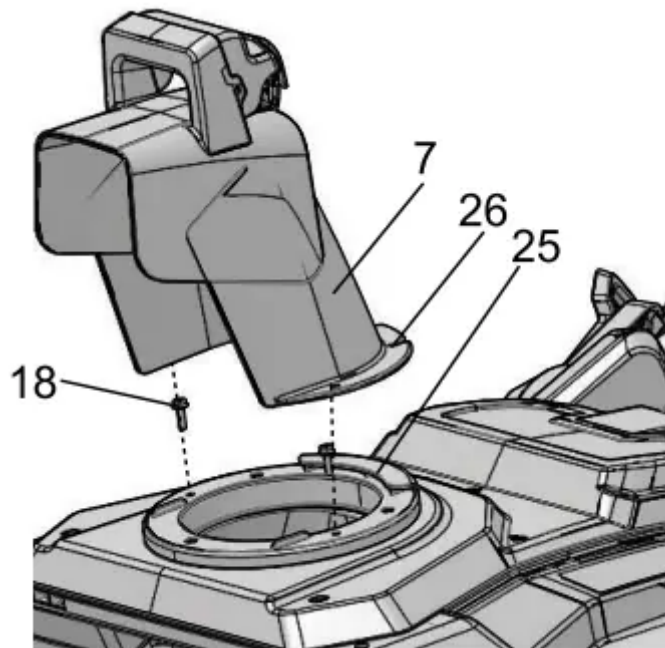
INSTALL THE CHUTE-ROTATION BOX



1. Align the holes in the panel of the chute-rotation box (23) and the switch box (24).
2. Put the chute-rotation box screws (18) through the holes.

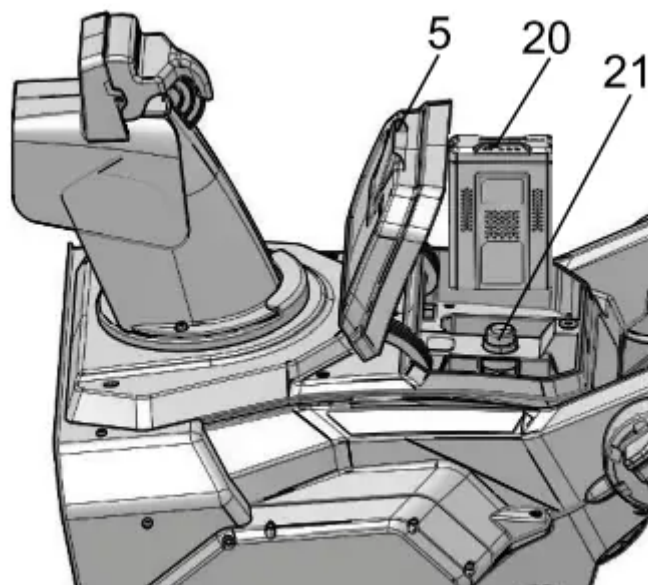
3. Tighten the chute-rotation box screw nuts (19) with Phillips Head screwdriver (not included).

INSTALL THE CHUTE DEFLECTOR



1. Align the grooves (26) of the discharge chute with the slot (25) on the chute housing.
2. Push the discharge chute (7) into position.
3. Tighten the discharge chute screws (18) with a Phillips head screw driver to lock the discharge chute.

INSTALL THE BATTERY PACK



WARNING

- If the battery pack or charger is damaged, replace the battery pack or the charger.
- Stop the machine and wait until the engine stops before you install or remove the battery pack.
- Read, know, and follow the instructions in the battery and charger manual.

NOTE This machine has the dual-pack switch function that lets the other battery pack continue to operate when the first one is out of battery after 2-3 seconds. The machine can be increased the double working time by the function.

1. Open the battery door (5).
2. Align the ribs on the battery pack (20) with the grooves in the battery compartment.
3. Push the battery pack (20) into the battery compartment until the battery pack (20) locks into place.
4. When you hear a click, the battery pack (20) is installed.
5. Close the battery door (5).

REMOVE THE BATTERY PACK

1. Open the battery door (5).
2. Push and hold the battery release button (21).
3. Remove the battery pack (20) from the machine.

OPERATION

WARNING Wear eye protection during operation.

COLD WEATHER OPERATION

The safe battery operation temperature ranges from 6.8°F (-14°C) ~ 113 °F (45°C).

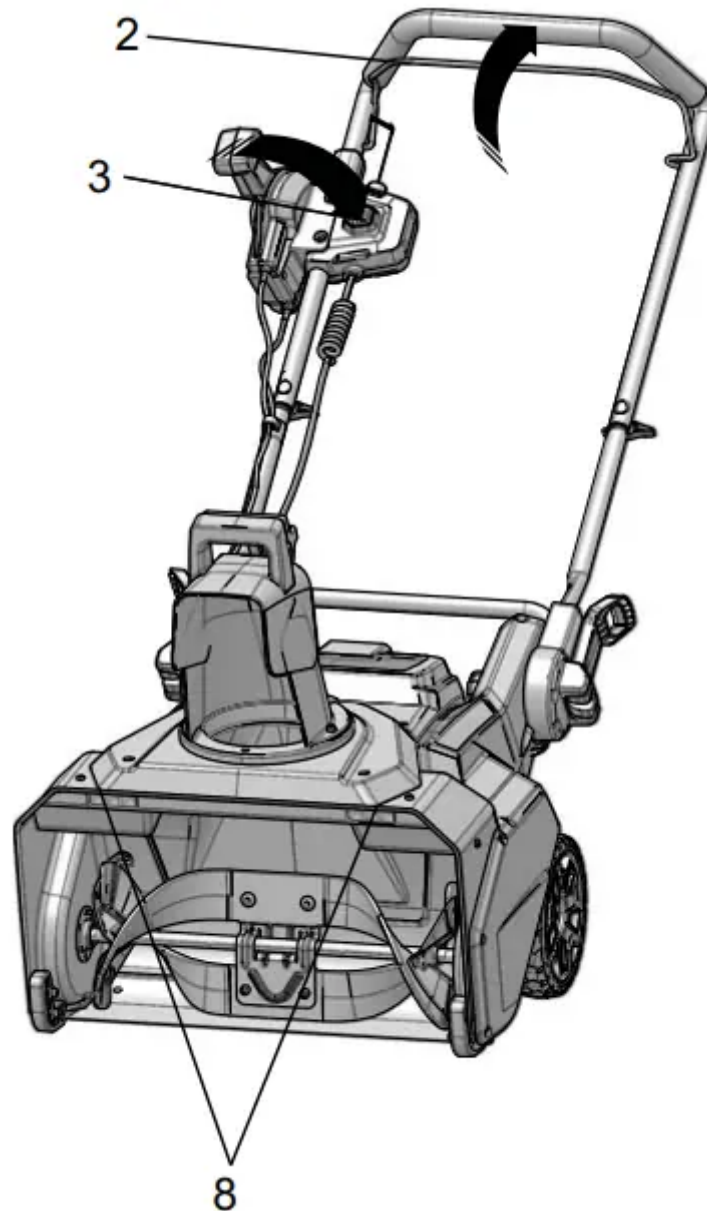
WARNING Do not store or charge battery outside.

Battery must be charged and stored indoors prior to use of the machine.

If the machine does not start below 1°F (-17°C),

- remove the battery pack from the machine,
- charge the battery pack for 10 minutes in warm area, or when the charging light turns green.
- Install the battery pack again.

START THE MACHINE



1. While holding the safety switch button (3), pull the bail lever (2) to start the machine.

2. At the same time, the LED lights (8) can be turned on.

WARNING Keep bystanders a safe distance from the machine.

WARNING Examine the work area. Remove all stones, sticks, wire, bones, and other debris that can ricochet because of the rotating impeller.

STOP THE MACHINE

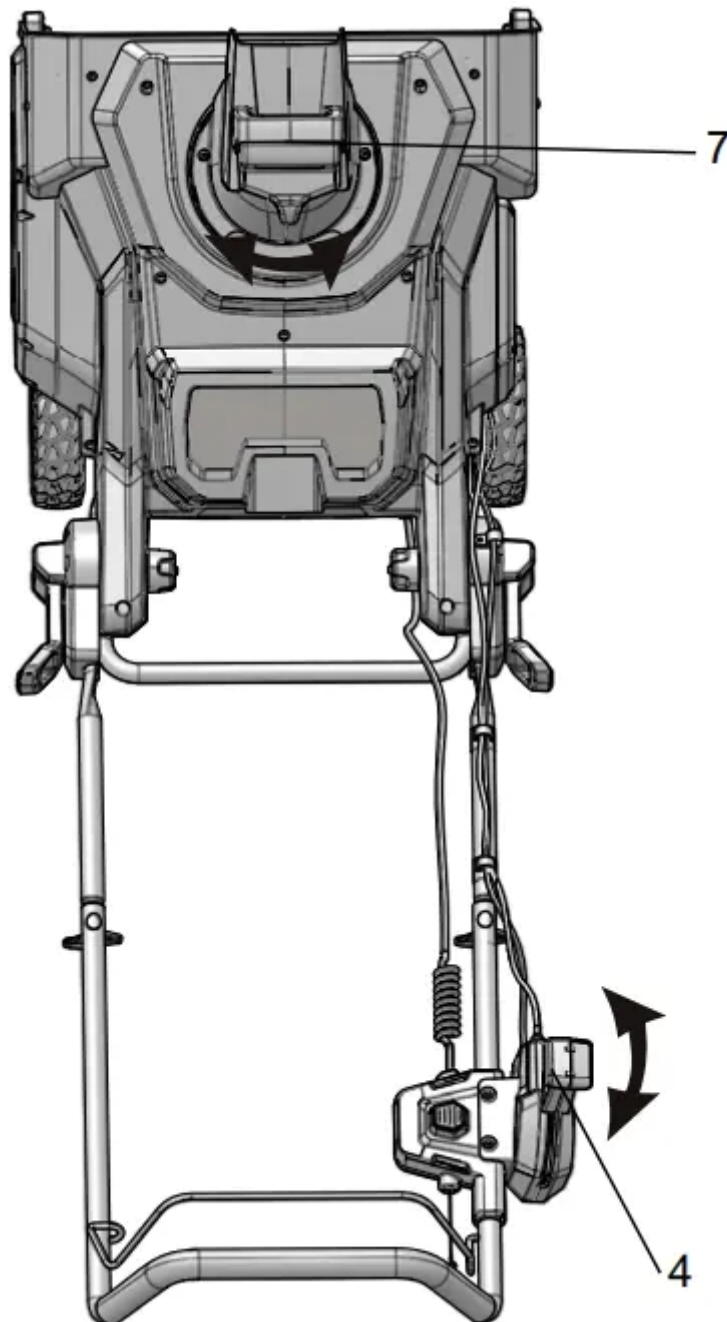
1. Release the bail lever (2) to stop the machine.

2. At the same time, the LED lights (8) can be turned off.

WARNING

Wait until the impeller fully stops before you start the machine again. Do not quickly turn the machine off and on.

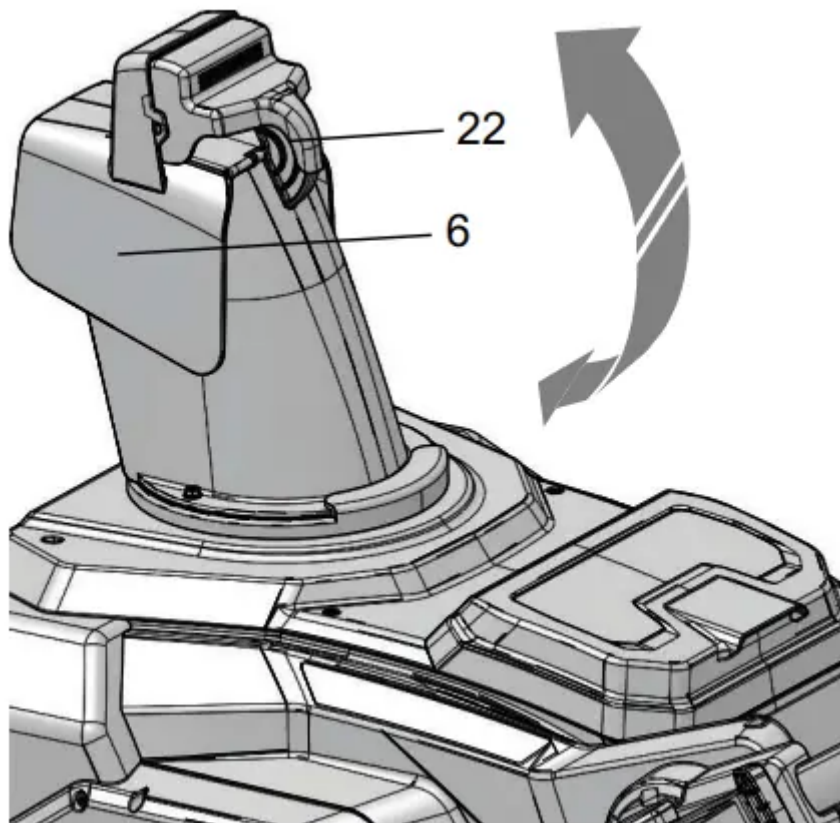
ADJUST THE DISCHARGE CHUTE



You can adjust the discharge chute 180° to change the snow direction.

1. Push the chute-rotation handle (4) forward to move the discharge chute (7) to the left.
2. Push the chute-rotation handle (4) rearward to move the discharge chute (7) to the right.

ADJUST THE CHUTE DEFLECTOR



You can adjust the chute deflector up and down to change the throwing distance of the snow.

WARNING Release the bail switch before you adjust the chute deflector.

WARNING Do not push the deflector so far forward that a gap shows between the deflector and the chute.

1. Push and hold the trigger (22) on the chute deflector (6).
2. Move the chute deflector (6) up to increase the snow distance.
3. Move the chute deflector (6) down to decrease the snow distance.

OPERATION TIPS

- If it is possible, clear the snow with the direction of the wind.
- In strong winds, lower the chute deflector to direct the snow to the ground.
- When you complete the work, let the machine operate for a while to prevent ice formation in the discharge chute.
- If the snow is deeper than 8", decrease the speed and let the machine work at its own pace.
- Do not use the scraper to remove compact snow and ice.

MAINTENANCE

WARNING Disconnect the extension cord before maintenance.

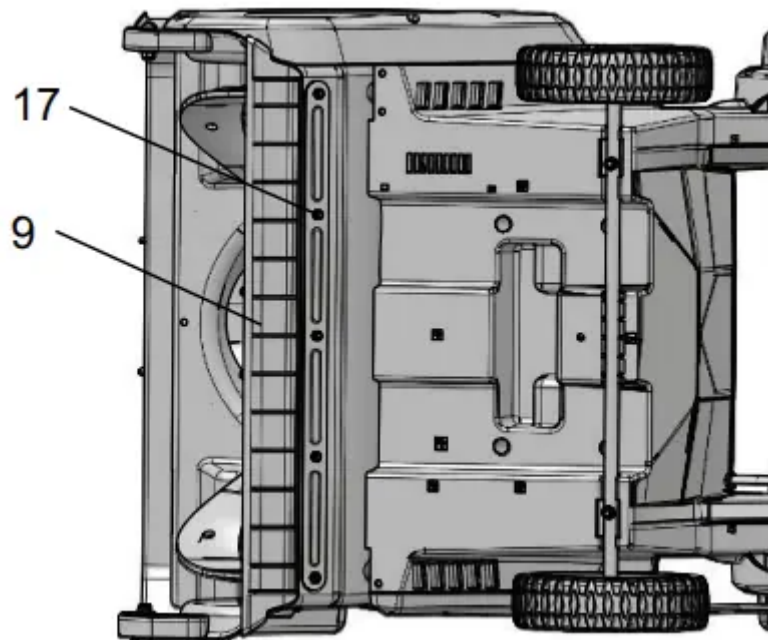
CAUTION Use only approved replacement parts.

CAUTION Do not use strong solvents or detergents on the plastic housing or components.

GENERAL MAINTENANCE

- Before each use, examine the machine for damaged, missing, or loose parts such as screws, nuts, bolts and caps.
- Tighten correctly all the fasteners and caps.
- Clean the remaining snow on the machine with a brush.

REPLACE THE SCRAPER



WARNING

Use only approved replacement scrapers.

WARNING

Wear heavy gloves around the blade when you touch the blade.

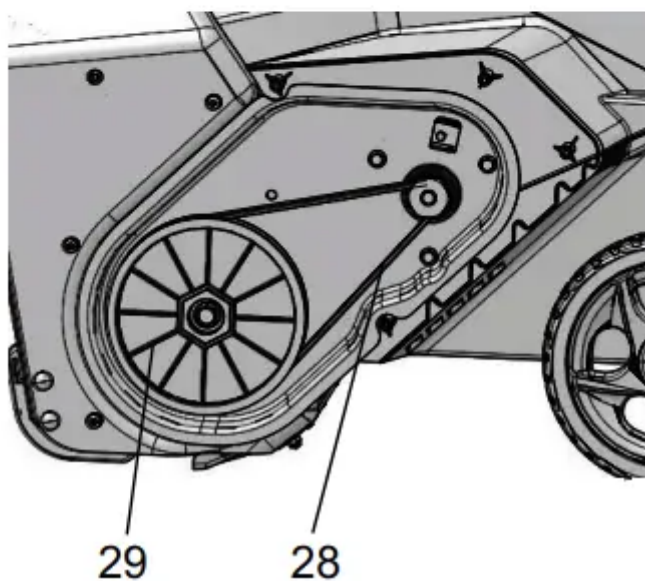
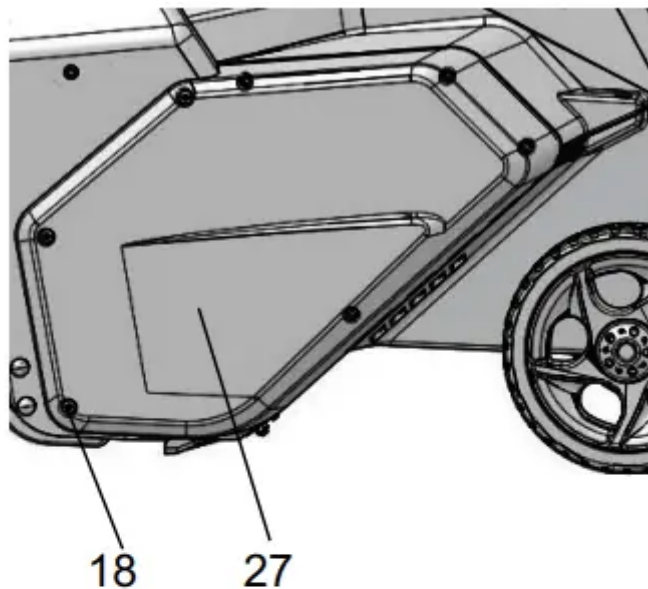
WARNING

The scraper is located at the bottom of the impeller housing. Ensure that the battery is not installed in the tool.

1. Turn the machine to its side.
2. Remove the 5 bolts (17) below the deck that attach the scraper (9) to the machine.

3. Remove the worn scraper (9) from the machine.
4. Install the new scraper (9).
5. Install and tighten the bolts (17) that you removed.

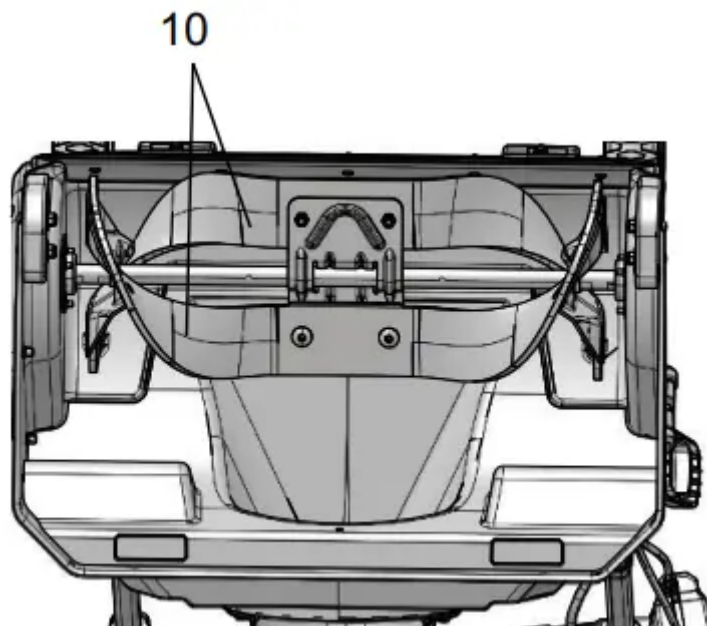
REPLACE THE BELT



WARNING Make sure to turn off the bail lever and remove the battery pack(s) before performing any maintenance task on your snow thrower.

1. Remove the screws (18) on the side wear pad (27).
2. Turn the large pulley (29) counterclockwise while you remove the remaining belt (28).
3. Turn the new belt (28) onto the pulleys (29).
4. Install and tighten the screws (18) that you removed.

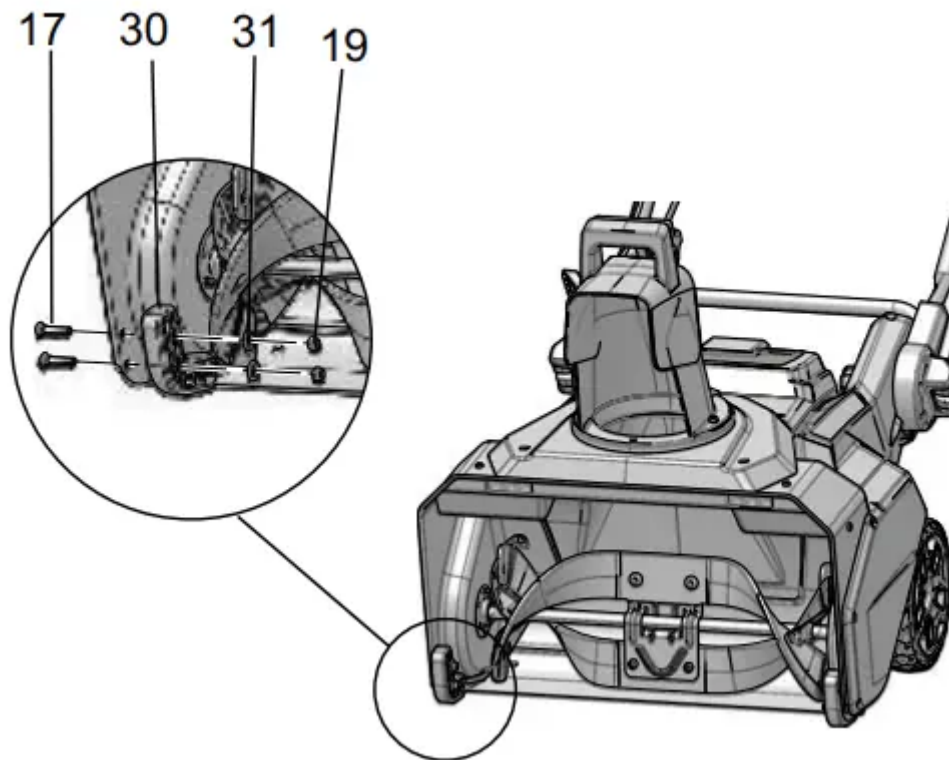
REPLACE THE IMPELLER



WARNING Make sure to turn off the bail lever and remove the battery pack(s) before performing any maintenance task on your snow thrower.

1. Remove the 4 sets of nuts and bolts on the middle steel plate.
2. Remove the 4 sets of nuts and bolts on each side.
3. Remove the impellers (10).
4. Install the new impellers (10).
5. Tighten the 8 sets of nuts and bolts that you removed.

REPLACE THE SKID PLATES



NOTE The range of adjustable height for skid plates is 1.5mm, when putting the bolts through the U-hole on the skid plates.

1. Loosen the 2 sets of bolts (17), spacers (31) and nuts (19) that attach the skid plates (30) to the snow thrower housing.
2. Remove the skid plates (30).
3. Install the new skid plates (30).
4. Do the same operation on the other side.

STORE THE MACHINE

- Clean the machine before storage.
- Make sure the motor is not hot when you store the machine.
- Make sure that the machine does not have loose or damaged parts. If it is necessary, do these steps/ instructions:
 - Replace the damaged parts.
 - Tighten the bolts.
 - Speak to a person at an approved service center.
- Store the machine in a dry area.
- Make sure that children cannot come near the machine.

TROUBLESHOOTING

| Problem | Possible cause | Solution |
|--|---|---|
| The handle is not in position. | The bolts are not engaged correctly. | Adjust the height of the handle and make sure that the knobs and bolts are aligned correctly. |
| The machine does not start. | The battery is not charged. | Charge the battery by following the procedures in the battery and charger manual. |
| | The switch is defective. | Have the switch replaced by an authorized service center |
| | Battery is too cold. | Remove battery from snow thrower. Place battery on charger and allow to charge for 10 minutes or until the changing light turns green. Remove from charger and install in snow thrower for use. |
| | Battery may require service or replacement. | Call toll free helpline, at 1-855-345-3934 or replace battery |
| The engine is on, but the impeller does not turn. | The belt is damaged | Replace the belt. |
| A thin layer of snow stays behind. | The scraper is damaged. | Replace the scraper. |

Warning

This content is compiled from multiple sources and is provided for reference purposes only. It may not be complete or fully applicable to all situations. If you are unable to resolve your issue, please contact the product manufacturer or an authorized service provider for official support.

