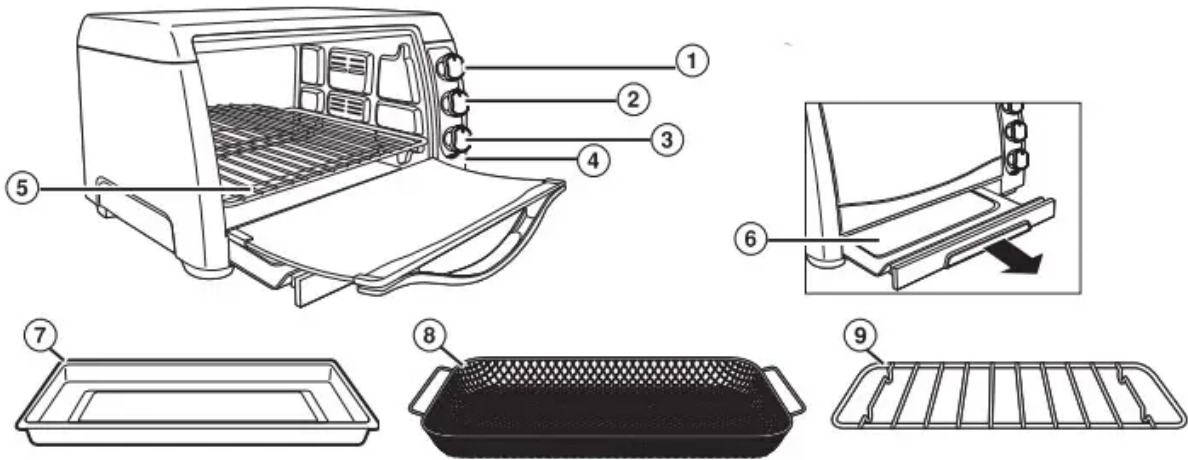


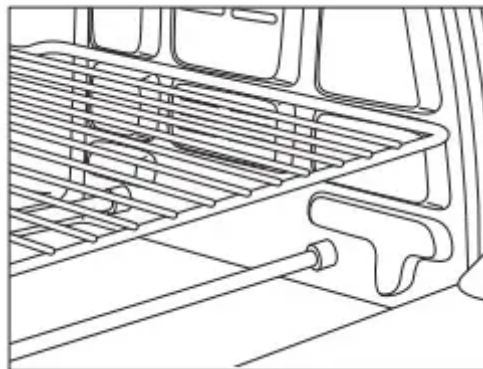
Parts and Features



1. Temperature Dial
2. Function Dial.
3. Toast/Timer and OFF
4. ON Indicator Light
5. Oven Rack
6. Slide-Out Crumb Tray
7. Baking/Broiling Pan
8. Air Frying Basket
9. Broil Rack (fits into Baking/Broiling Pan)

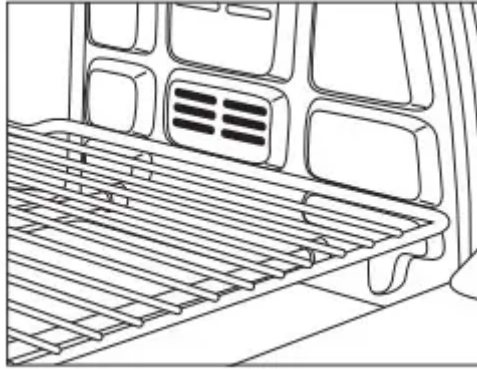
Top Rack Position:

Air Frying, Baking, Broiling and Toasting



Bottom Rack Position:

Baking and holding Baking/Broiling Pan with or without Broil Rack



How to Use

WARNING

- If contents ignite, do not open oven door. Unplug toaster oven and allow contents to stop burning and cool before opening door.
- Do not use oven cooking bags.
- Always allow at least 1 inch (2.5 cm) between food and heating element.
- Always unplug toaster oven when not in use.

Before first use: Most heating appliances produce an odor and/or smoke when used the first time. Plug Toaster Oven into an outlet. Turn Temperature Dial to 450°F (230°C). Heat at this temperature for 10 minutes. Odor should not be present after this initial preheating. Wash Air Frying Basket, Baking/Broiling Pan, Broil Rack, and Oven Rack before using.

Air Fryer Mode

Use Air Fry mode to crisp foods using little added oil for faster cooking. No preheating is necessary, which reduces prep time.

1. Plug into outlet. Place Oven Rack in lowest position.
2. Add food to Air Frying Basket. Slide Basket into Top Rack Position, then place Baking/Broiling Pan below Basket on Oven Rack. Always place Baking/Broiling Pan under Air Frying Basket to catch drippings.
3. Turn Temperature Dial to desired temperature.
4. Rotate Function Dial to Air Fry.
5. Rotate Timer clockwise past 10, then to the desired baking time. Or, rotate to Stay On while pressing and holding buttons on side of Dial.
6. If time is selected, Timer will sound when selected time is complete.
7. Unplug.

Bake Mode

Use Bake mode for cakes, casseroles, cookies and roasting meats, poultry or vegetables. Place Oven Rack in top or bottom position. Preheating Toaster Oven for 5 minutes is necessary for Bake mode.

1. Plug into outlet. Turn Temperature Dial to desired temperature, then turn Function Dial to Bake.
2. Rotate Timer clockwise past 10, then back to "dark toast" to preheat Toaster Oven for 5 minutes before beginning to bake.
3. After Toaster Oven is preheated, set Timer to desired time by rotating clockwise past 10, then to the desired baking time. Or, rotate to Stay On while pressing and holding buttons on side of Dial.
4. Rotate Timer to OFF () to end cycle at any time.
5. Unplug.

Stay On Function

The Toaster Oven can be set to stay on by turning Timer to Stay On while pressing and holding buttons on side of Dial. Broil Mode Use to brown foods such as beef, chicken, fish, pork, and casseroles. Slide Oven Rack in top or bottom rack position. Always place Broil Rack onto Baking/Broiling Pan to catch drippings. Add food onto Broil Rack. Food must be a minimum of 1 inch (2.5 cm) from heating elements.

1. Plug into outlet. Turn Temperature Dial to Broil/Toast and Function Dial to Broil/Toast.
2. Rotate Timer clockwise past 10, then to the desired broiling time. Or, rotate Timer to Stay On while pressing and holding buttons on side of Dial. Turn foods when browned or halfway through cooking time. Oven broils on high temperature and may not be adjusted.
3. Rotate Timer to OFF () to end cycle at any time.
4. Unplug.

Toast Mode

Use for browning and toasting breads, bagels, and English muffins. Place food cut/split side facing up. This will toast cut/split side more than outside of food. Rack should be in top or bottom position.

1. Plug into outlet. Turn Temperature Dial to Broil/ Toast and then turn Function Dial to Toast.
2. Select shade of browning by turning Timer clockwise past 10, then back to desired toast color. A bell will sound when toast cycle is complete.
3. Rotate Timer to OFF () to end cycle at any time.

4. Unplug.

TIP: The number of slices of bread and bread freshness will affect toast color. For example, toasting 4 slices of bread will require a darker toast color setting than 2 slices of bread. Adjust Toast based on desired color and number of slices.

Care and Cleaning

WARNING Electrical Shock Hazard. Do not clean with metal scouring pads. Pieces can break off pad and touch electrical parts. Your toaster oven should be cleaned regularly for best performance and long life. Regular cleaning will also reduce the risk of fire hazard.

1. Unplug and allow to cool completely.
2. To clean inside of Toaster Oven, wipe oven walls, bottom of oven, and glass door with a damp, soapy cloth. Repeat with a damp, clean cloth. For stubborn stains, use a plastic scouring pad.
3. Wipe outside of Toaster Oven with a damp cloth. Do not use abrasive cleansers or metal scouring pads.

Troubleshooting

- Toaster Oven will not heat.
 - Check to make sure electrical outlet is working and the oven is plugged in. Turn Temperature Dial to 350°F (177°C). Turn Function Dial to Bake; then turn Timer counterclockwise to Stay On while pressing and holding buttons on side of Dial.
- Moisture forms on inside of oven door when toasting.
 - This is normal when toasting in a toaster oven. Moisture is slower to escape from a toaster oven than from a toaster. The amount of moisture will differ between fresh bread, bagels, and frozen pastries.
- An odor and smoke come from the Toaster Oven.
 - Smoke and odor are normal during first use of most heating appliances. These will not be present after initial heating period.
- Toaster Oven will not toast.
 - Check to make sure outlet is working and oven is plugged in. Turn Temperature Dial to Toast/ Broil. Turn Function Dial to Toast; then rotate Timer clockwise past 10 and then back to the desired toast color.
- Some foods burn and some are not done.
 - Adjust oven rack position to center food in oven.

- Adjust oven temperature or cooking time for best results with your recipes.

IMPORTANT SAFEGUARDS

When using electrical appliances, basic safety precautions should always be followed to reduce the risk of fire, electric shock, and/or injury to persons, including the following:

1. Read all instructions.
2. This appliance is not intended for use by persons (including children) with reduced physical, sensory, or mental capabilities, or lack of experience and knowledge, unless they are closely supervised and instructed concerning use of the appliance by a person responsible for their safety.
3. Close supervision is necessary when any appliance is used by or near children. Children should be supervised to ensure that they do not play with the appliance.
4. Do not touch hot surfaces. Use handles or knobs.
5. To protect against electrical shock, do not immerse cord, plug, or toaster oven in water or other liquid.
6. Unplug from outlet when not in use and before cleaning. Allow to cool before cleaning appliance and putting on or taking off parts.
7. Do not operate any appliance with a damaged supply cord or plug, or after the appliance malfunctions or has been dropped or damaged in any manner. Supply cord replacement and repairs must be conducted by the manufacturer, its service agent, or similarly qualified persons in order to avoid a hazard. Call the provided customer service number for information on examination, repair, or adjustment.
8. The use of accessory attachments not recommended by the appliance manufacturer may cause injuries.
9. Do not use outdoors.
10. Do not let cord hang over edge of table or counter or touch hot surfaces.
11. Do not place on or near a hot gas or electric burner or in a heated oven.
12. Extreme caution must be used when moving an appliance containing hot oil or other hot liquids.
13. To disconnect, turn all controls to OFF (); then remove plug from wall outlet.
14. Use extreme caution when removing pan or disposing of hot grease.
15. Do not clean with metal scouring pads. Pieces can break off the pad and touch electrical parts, creating a risk of electrical shock.
16. Oversize foods or metal utensils must not be inserted in an oven as they may create a fire or risk of electric shock.

17. The bread may burn. A fire may occur if toaster is covered or touching flammable material, including curtains, draperies, walls, overhead cabinets, paper or plastic products, cloth towels, and the like, when in operation.
18. Extreme caution should be exercised when using containers constructed of materials other than metal or glass.
19. Do not store any materials, other than manufacturer-recommended accessories, in this oven when not in use.
20. Do not place any of the following materials in the oven: paper, cardboard, plastic, and the like.
21. Do not cover crumb tray or any part of the oven with metal foil. This will cause overheating of the oven.
22. To turn oven off, turn Toast/Timer and OFF to OFF () position.
23. Do not place eyes or face in close proximity with tempered safety glass door, in the event that the safety glass breaks.
24. Always use appliance with crumb tray securely in place.
25. Do not use appliance for other than intended use.
26. Clean oven interior carefully. Do not scratch or damage heating element tube.
27. Check that the control is OFF before plugging cord into wall outlet. To disconnect, turn the control to OFF () then remove plug from wall outlet.
28. Do not operate the appliance by means of an external timer or separate remote-control system.
29. CAUTION: HOT SURFACE. The temperature of accessible surfaces may be high when the appliance is operating.

SAVE THESE INSTRUCTIONS

This appliance is intended for household use only. **w WARNING Electrical Shock Hazard:** This appliance is provided with a polarized plug (one wide blade) to reduce the risk of electric shock. The plug fits only one way into a polarized outlet. Do not defeat the safety purpose of the plug by modifying the plug in any way or by using an adapter. If the plug does not fit fully into the outlet, reverse the plug. If it still does not fit, have an electrician replace the outlet. The length of the cord used on this appliance was selected to reduce the hazards of becoming tangled in or tripping over a longer cord. If a longer cord is necessary, an approved extension cord may be used. The electrical rating of the extension cord must be equal to or greater than the rating of the appliance. Care must be taken to arrange the extension cord so that it will not drape over the countertop or tabletop where it can be pulled on by children or accidentally tripped over. This appliance is equipped with a fully tempered safety glass door. The tempered glass is four times stronger than ordinary glass and more

resistant to breakage. Tempered glass can break; however, it breaks into pieces with no sharp edges. Care must be taken to avoid scratching door surface or nicking edges. If the door has a scratch or nick, call our tollfree customer service number. Always unplug your toaster oven from the outlet when not in use.

Warning

This content is compiled from multiple sources and is provided for reference purposes only. It may not be complete or fully applicable to all situations. If you are unable to resolve your issue, please contact the product manufacturer or an authorized service provider for official support.