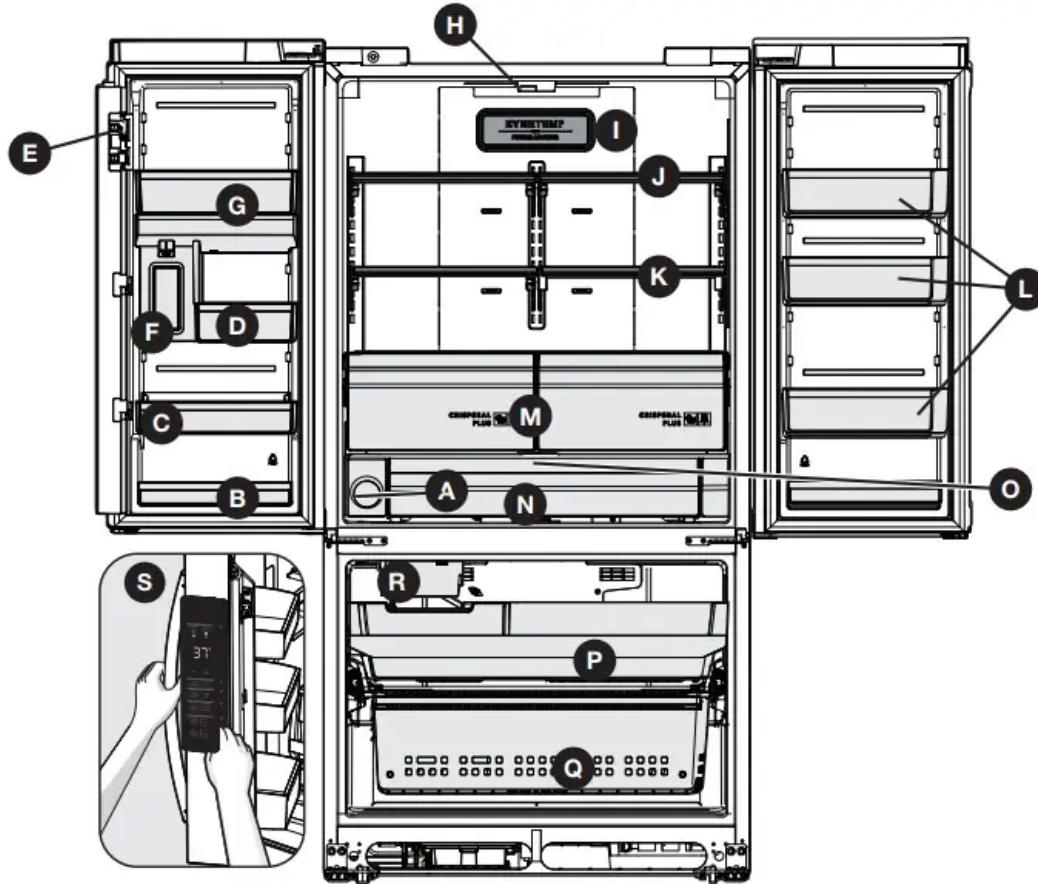


## FEATURES

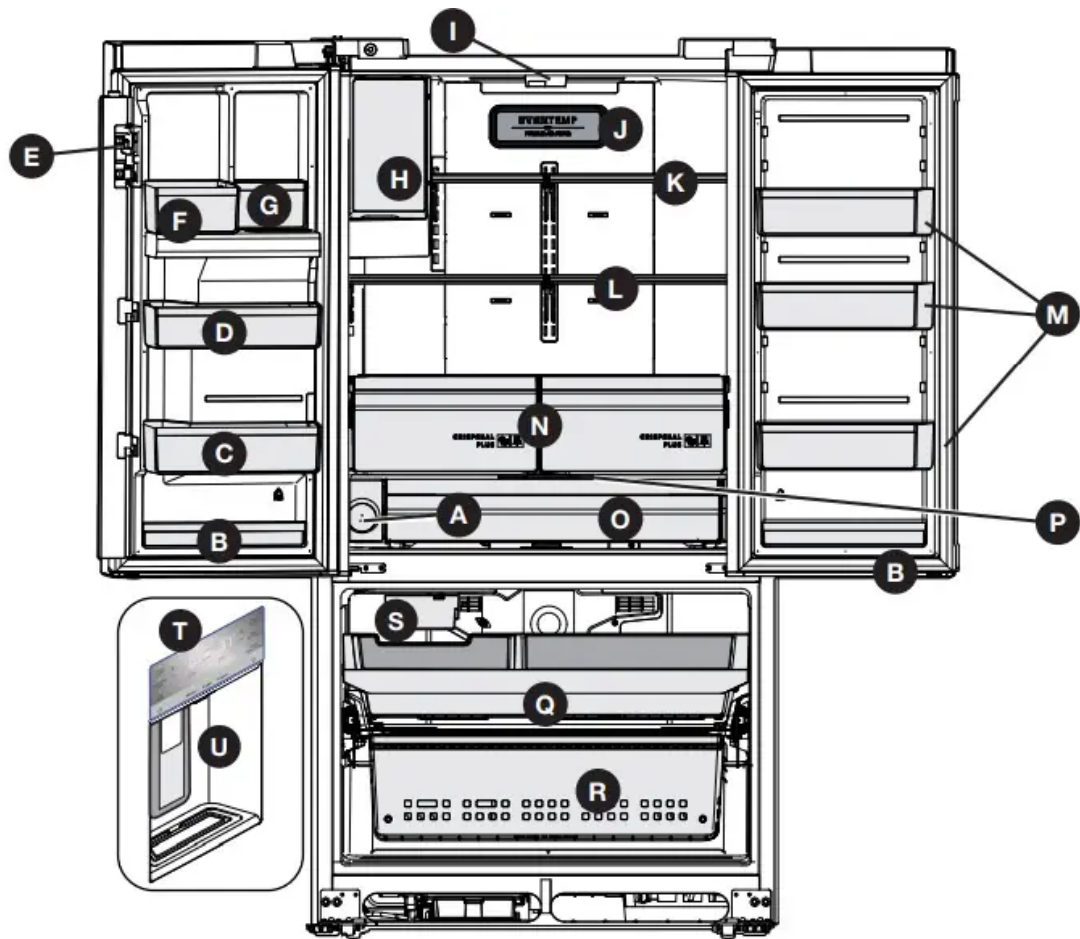
### Internal Water Dispenser Model



<b>A</b>	Water Filter
<b>B</b>	Condiment Bin
<b>C</b>	L-Shaped Bin
<b>D</b>	Dairy Bin
<b>E</b>	Flipper Mullion
<b>F</b>	Internal Water Dispenser
<b>G</b>	Standard Bin
<b>H</b>	Flipper Guide
<b>I</b>	Air Filter
<b>J</b>	Slide Under ½ width shelves

<b>K</b>	Edge-to-edge Glass Shelving
<b>L</b>	Standard Bins
<b>M</b>	Crisper Drawers
<b>N</b>	Adjustable Temp Drawer (ATD)
<b>O</b>	ATD Controls
<b>P</b>	Upper Freezer Basket
<b>Q</b>	Lower Freezer Basket
<b>R</b>	Freezer Ice Maker
<b>S</b>	Dispenser Control Display (functions)

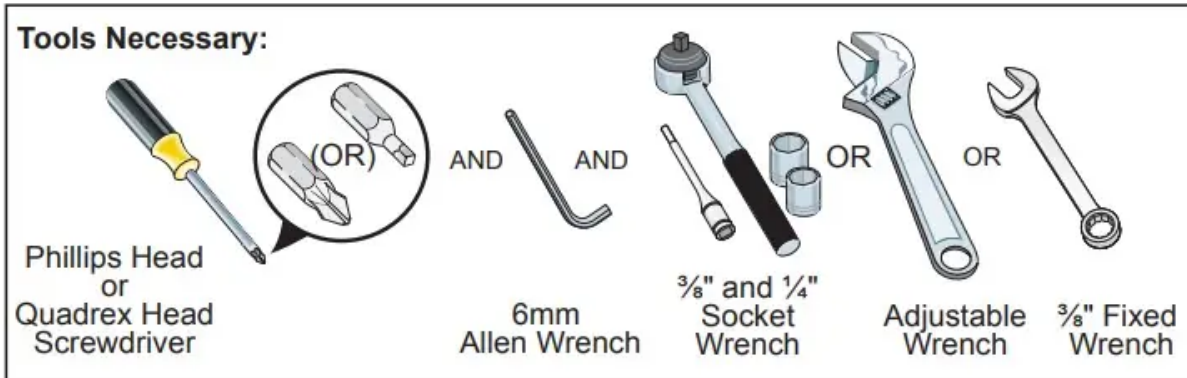
### External Water Dispenser Model



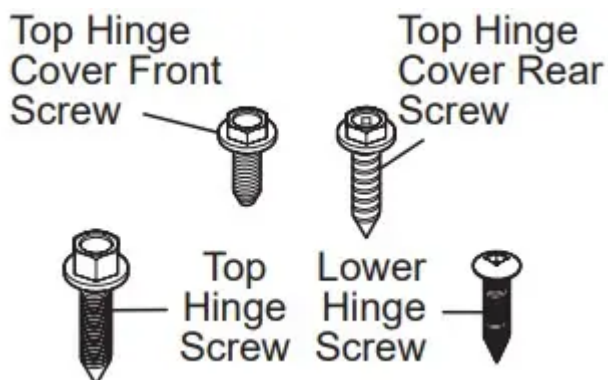
<b>A</b>	Water Filter
<b>B</b>	Condiment Bin
<b>C</b>	L-Shaped Bin
<b>D</b>	Dairy Bin
<b>E</b>	Flipper Mullion
<b>F</b>	Gallon Bin
<b>G</b>	Slim Bin
<b>H</b>	Fresh Food Ice Maker & Bin
<b>I</b>	Flipper Guide
<b>J</b>	Air Filter
<b>K</b>	Slide Under ¼ & ½ width shelves

<b>L</b>	Edge-to-edge Glass Shelving
<b>M</b>	Standard bin
<b>N</b>	Crisper Drawers
<b>O</b>	Adjustable Temp Drawer (ATD)
<b>P</b>	ATD Controls
<b>Q</b>	Upper Freezer Basket
<b>R</b>	Lower Freezer Basket
<b>S</b>	Freezer Ice Maker
<b>T</b>	External control display
<b>U</b>	Ice & Water Dispenser

# INSTALLATION



## Components Provided:

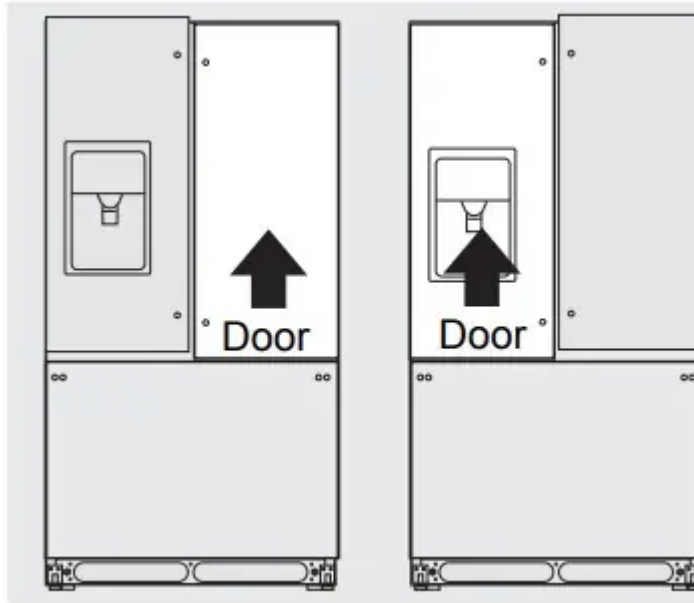


This Use & Care Manual provides general installation and operating instructions for your model. We recommend using a service or kitchen contracting professional to install your refrigerator. Use the refrigerator only as instructed in this Use & Care Manual. Before starting the refrigerator, follow these important first steps.

## Location

- Choose a place that is near a grounded, non-GFCI, electrical outlet. Do Not use an extension cord or an adapter plug.
- If possible, place the refrigerator out of direct sunlight and away from the range, dishwasher, or other heat sources.
- The refrigerator must be installed on a floor that is level and strong enough to support a fully loaded refrigerator.
- Consider water supply availability for models equipped with an automatic ice maker.

## Door opening



Your refrigerator should be positioned to allow easy access to a counter when removing food. For best use of refrigerator drawers and freezer baskets, the refrigerator should be in a position where both can be fully opened.

### **Cabinet Leveling & Refrigerator Door Alignment (if necessary)**

Guidelines for final positioning of refrigerator:

- All four corners of the cabinet must rest firmly on the floor.
- The front should be slightly elevated to ensure that doors close and seal properly.
- Doors should align with each other and be level.

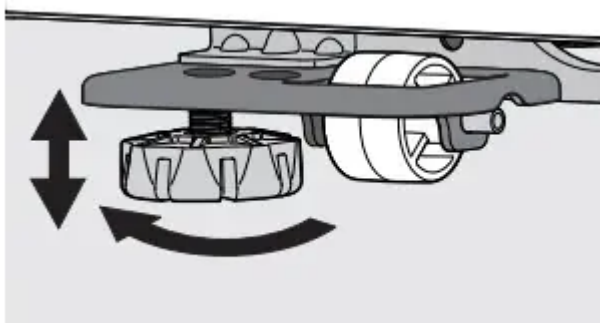
Most of these conditions can be met by raising or lowering the adjustable anti-tip legs.

To level the cabinet using the anti-tip legs:

1. Slightly open freezer drawer to reveal anti-tip legs at bottom of cabinet.
2. Lower anti-tip legs until they are both touching the floor. Use a pair of pliers to adjust.

To raise unit: turn leg clockwise if looking from the top.

To lower unit: turn leg counterclockwise. looking from the top.



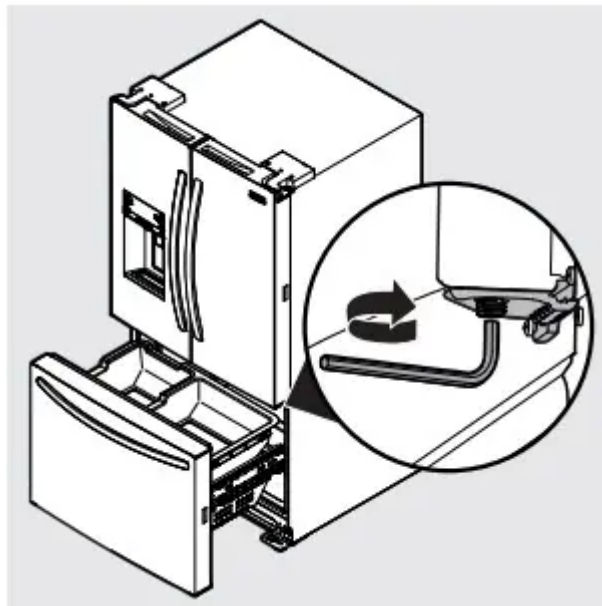
3. Ensure both doors are bind-free with their seals touching the cabinet on all four sides and that cabinet is stable.

To make final door height adjustments:

1. Open freezer drawer to access hinges for fresh food doors.
2. Insert 6mm Allen™ wrench into the shaft of the lower hinge. (Included with unit)

To lower door: turn adjustment screw counter-clockwise if looking at the door from below.

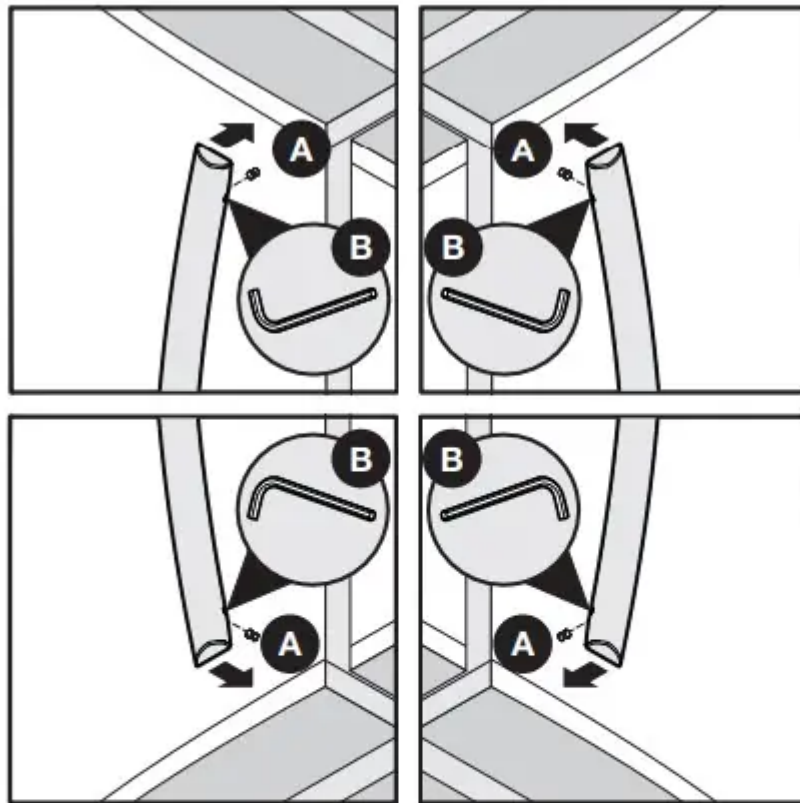
To raise door: turn adjustment screw clockwise if looking at the door from below.



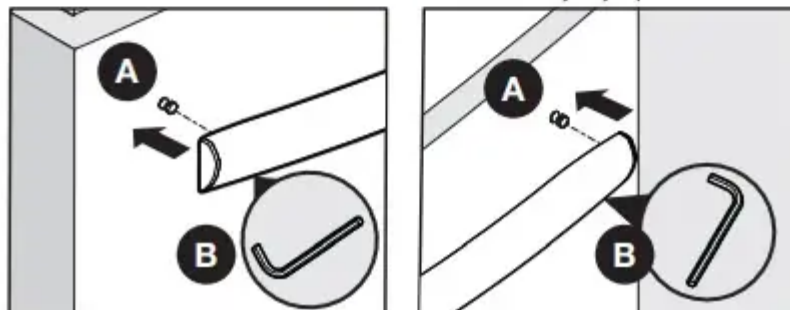
## DOOR HANDLE INSTALLATION

### Door Handle Mounting Instructions

## Mounting Refrigerator Handles



## Mounting Freezer Handle



1. Remove handles from carton and any other protective packaging.
2. Position refrigerator handle end caps over upper and lower preinstalled shoulder bolts (A) that are fastened into door, ensuring the holes for the set screws are facing towards the opposite door.
3. While holding handle firmly against door, fasten upper and lower Allen set screws (B) with supplied Allen wrench.
4. Repeat steps 2 and 3 to install opposite handle. Ensure the holes for the set screws are facing towards the opposite door.
5. Position freezer handle end caps over left and right pre-installed shoulder bolts (A) that are fastened to the door, ensuring the holes for the set screws are facing down.

6. While holding handle firmly against door, loosely tighten right Allen set screw (B) with supplied Allen wrench until there is no gap between handle and door
7. Still holding the handle firmly to the door, firmly tighten left Allen set screw (B) with supplied Allen wrench.
8. Return to the right Allen set screw (B) and firmly tighten with supplied Allen wrench

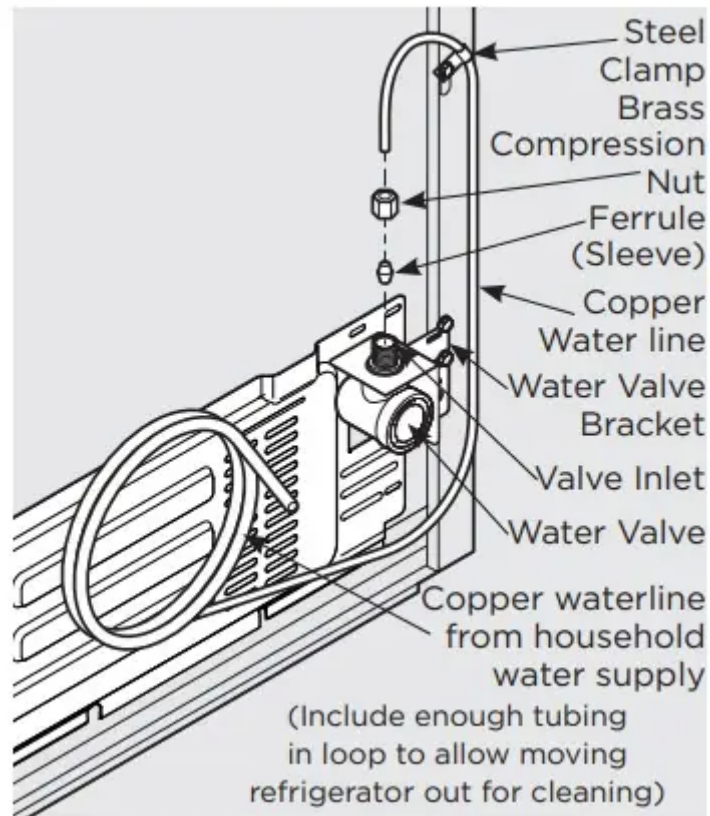
## **WATER SUPPLY CONNECTION**

### **Before Installing The Water Supply Line, You Will Need:**

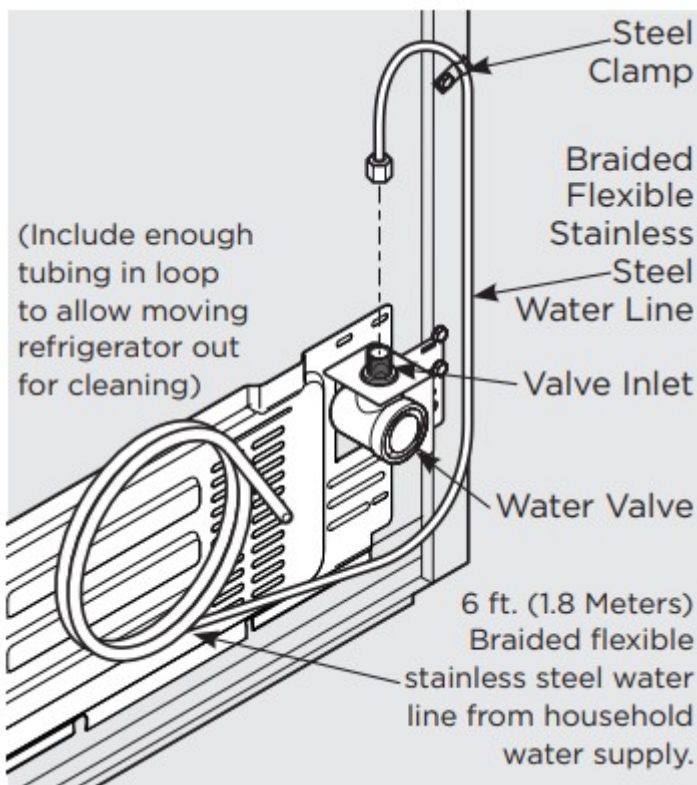
- Basic Tools: adjustable wrench, flat-blade screwdriver, and Phillips™ screwdriver
- Access to a household cold water line with water pressure between 30 and 100 psi.
- A water supply line made of ¼ inch (6.4 mm) OD, copper or stainless steel tubing. To determine the length of tubing needed, measure the distance from the water inlet valve at the back of the refrigerator to your cold water pipe. Then add approximately 6 ft. (1.8 meters), so the refrigerator can be moved out for cleaning (as shown).
- A shutoff valve to connect the water supply line to your household water system. DO NOT use a self-piercing type shutoff valve.
- Do not re-use compression fittings or use thread seal tape.
- A compression nut and ferrule (sleeve) for connecting a copper water supply line to the ice maker inlet valve.

### **To Connect Water Supply Line To Main Water Inlet Valve**

1. Disconnect refrigerator from electric power source.
2. Place end of water supply line into sink or bucket. Turn ON water supply and flush supply line until water is clear. Turn OFF water supply at shutoff valve.
3. Remove plastic cap from water valve inlet and discard cap.
4. If you use copper tubing - Slide brass compression nut, then ferrule (sleeve) onto water supply line. Push water supply line into water valve inlet as far as it will go (¼ inch/6.4 mm). Slide ferrule (sleeve) into valve inlet and finger tighten compression nut onto valve. Tighten another half turn with a wrench; DO NOT over tighten. If you use braided flexible stainless steel tubing - The nut is already assembled on the tubing. Slide nut onto valve inlet and finger tighten nut onto valve. Tighten another half turn with a wrench; DO NOT



over tighten.



5. With steel clamp and screw, secure water supply line to rear panel of refrigerator as shown.
6. Coil excess water supply line (copper tubing only), about 2½ turns, behind refrigerator as shown and arrange coils so they do not vibrate or wear against any other surface. Do not kink tubing

7. Turn ON water supply at shutoff valve and tighten any connections that leak.
8. Reconnect refrigerator to electrical power source.
9. To turn ice maker on, ensure Ice Maker is enabled on display (LED will be lit) or set the ice maker's On/off power switch to the "ON" position (freezer ice maker).

## **CONTROLS AND SETTINGS**

### **Internal Water Dispenser Control Display Mode Views**

Your display is equipped with a sleep and lock mode to prevent accidental changes to the unit settings during opening and closing of the doors. When both doors are closed, the display will be in sleep mode. When either door is first opened, the display will be in lock mode where all the current settings are visible but dimmed.

Pressing any button on the display will awake the display and a tone will be played. All settings will then be fully lit. Touch the display again to change any setting.

If there is no button pressed for 10 seconds while any door is open, the display will default back to lock mode.





Internal Water Dispenser Control Display





- ① **Change Temperature** Select Freezer or Refrigerator icon to change temperature.  
Select +/- buttons to set the temperature  
Freezer -6°F/-21°C - control range: +6°F/-15°C  
Refrigerator +34°F/+1°C - control range: +44°F/+7°C
- ② **Clear Alerts** Resets any alarms that are active and illuminated on the display (DOOR OPEN, HIGH TEMP, POWER OUTAGE).
- ③ **Freeze Boost** Prior to grocery shopping, we recommend you activate Freeze Boost to lower the temperature and freeze food faster. Freeze Boost will remain active for up to 24 hours before automatically deactivating or manually exiting by pressing Freeze Boost to turn the function off. This will reset the freezer to the previous temperature setting.
- ④ **Temp F/C** Touch to toggle display from Fahrenheit to Celsius.
- ⑤ **Water Dispenser** When the water dispenser is turned on the LED's above Water Dispenser will be illuminated.
- ⑥ **Default Settings** Press and hold button for 3 seconds to reset to Factory settings.
- ⑦ **Water Filter** Press and hold button to reset after filter has been replaced, status shown at right of button will reset to GOOD.
- ⑧ **Air Filters** Press and hold to reset after filter has been replaced, status shown at right of button will reset to GOOD.

### Setting cooling temperatures

- Select the compartment where you want to change the temperature by pressing the FREEZER or REFRIGERATOR buttons at the top of the display. Press the + or – buttons to adjust the temperature to the desired setting.
- The temperature setting will begin to blink with the first touch. The display will time out after 10 seconds and return to the basic display

### External Water Dispenser Control Display

#### Sleep Mode Display



### Sleep Mode

- As a default, the display will go to sleep after a short time. If any icon is pressed, the display will be awakened. After a short time, it will go back to sleep. When in sleep mode, wake up the display to confirm ice maker is On/Off. Sleep mode can be turned off to have the display on full time (awake mode). When sleep mode is Off, the display will always be illuminated. To turn sleep mode On/Off, simultaneously press and hold “Crush” and “Light” icons for 5 seconds. Tone will confirm.

### Awake Mode Display



### Awake Mode

- To change from sleep mode (on) to awake mode (off), simultaneously press and hold “Crush” and “Light” icons for 5 seconds. Display will show the current temperature/ice maker status. Tone will confirm.

## CARE & CLEANING

### Protecting your investment

Keeping your refrigerator clean maintains its appearance and prevents odor build-up.

Wipe up any spills immediately and clean the freezer and refrigerator compartments at least twice a year.

- Never use metallic scouring pads, brushes, abrasive cleaners, or strong alkaline solutions on any surface.
- Never use CHLORIDE or cleaners with bleach to clean stainless steel.
- Do not wash any removable parts in a dishwasher.
- Always unplug the electrical power cord from the wall outlet before cleaning.
- Remove adhesive labels by hand. Do not use razor blades or other sharp instruments which can scratch the appliance surface.
- Do not remove the serial plate. Removal of your serial plate voids your warranty.
- Before moving your refrigerator, raise the anti-tip brackets so the rollers will work correctly. This will prevent the floor from being damaged.

Refer to the guide on the next page for details on caring and cleaning specific areas of your refrigerator.

### Vacation and moving tips

#### *Occasion Tips*

#### Short Vacations

- Leave refrigerator operating during vacations of three weeks or less.
- Use all perishable items from refrigerator compartment.
- Turn automatic ice maker off and empty ice bucket, even if you will only be gone a few days.

#### Long Vacations

- Remove all food and ice if you will be gone one month or more.
- Turn the cooling system off (see “Controls” section for location of On/ Off button) and disconnect power cord.
- Turn water supply valve to closed position
- Clean interior thoroughly.
- Leave both doors open to prevent odors and mold build-up. Block doors open if necessary.

## Moving

- Unplug unit
- Remove all food and ice.
- Recommend use of a handcart, load from the side.
- Adjust rollers all the way up to protect them during sliding or moving.
- Pad cabinet to avoid scratching surface.

# TROUBLESHOOTING

## Automatic Ice Maker

Ice maker is not making any ice

- Ice maker is turned off.
  - Turn on ice maker. For the refrigerator ice maker, press and hold the Ice Maker On-Off button on your display. For the freezer ice maker, turn the ice maker on by pressing the toggle switch on the (-) side.
- Refrigerator is not connected to water line or water valve is not open.
  - Connect the unit to the household water supply and ensure the water valve is open
- The water supply line is kinked.
  - Ensure that the supply line does not kink when the refrigerator is pushed into place against the wall
- The water filter is not seated properly.
  - Remove and re-install the water filter. Be sure to seat it fully into the locked position
- The water filter may be clogged with foreign material.
  - If water dispenses slowly or not at all, or if the filter is six months old or older, it should be replaced.
- Ice maker bail arm is being held up by an item not allowing it to go in the on or down position.
  - Move any item or frozen ice cubes that may block the bail arm from being in the on or down position. Additionally, the ice bin itself may be out of position so that it prevents the bail arm from dropping all the way down. Be sure the bin is pushed all the way to the rear of the shelf. See Automatic Ice Maker-Freezer section in manual.

- Ice maker is producing less ice than you expect.
  - In a Standard Depth model, the refrigerator ice maker should produce 3.0 to 3.4 pounds of ice per 24 hours. In a Counter Depth model, the refrigerator ice maker should produce 2.7 to 3.2 pounds of ice per 24 hours
- The water filter may be clogged with foreign material.
  - In a Standard Depth model, the refrigerator ice bin will hold around 5 pounds of ice. In a Counter Depth model, the refrigerator ice bin will hold around 3.7 pounds of ice.
- The water supply line is kinked.
  - If water dispenses slower than normal, or if the filter is six months old or older, it should be replaced.
- Saddle valve on cold water pipe is clogged or restricted by foreign material.
  - Ensure that the supply line does not kink when the refrigerator is pushed into place against the wall.
- Heavy traffic, opening or closing of the doors excessively.
  - Turn off household water line valve. Remove valve. Clean valve. Replace valve if necessary.
- Freezer control is set too warm (freezer ice maker).
  - Set freezer control to colder setting to improve performance of the ice maker (freezer ice maker). Allow 24 hours for temperature to stabilize.
- Water pressure is extremely low. Cut-off and cut-on pressures are too low (well systems only).
  - Have someone turn up the cut-off and cut-on pressure on the water pump system (well systems only).
- Reverse osmosis system is in regenerative phase.
  - It is normal for a reverse osmosis system to be below 20 psi during the regenerative phase

Freezer ice maker will not stop making ice (select models).

- Ice maker bail arm is being held down by a package in the freezer that has fallen against ice maker.
  - Move any item or frozen ice cubes that may block the bail arm from being in the off or upward position. See Automatic Ice Maker-Freezer section in manual.

- Ice cubes are located in once spot inside the freezer ice bin
  - Periodically move ice cubes around the ice bin so that ice maker will continue to make ice.

Ice cubes are freezing together.

- Ice cubes are not being used frequently enough or interruption of power for prolonged time.
  - Remove ice container and discard ice. The ice maker will produce fresh supply. Ice should be used at least twice weekly to keep the cubes separated.
- Ice cubes are hollow (shells of ice with water inside). The hollow cubes break open in the bin and leak their water onto existing ice, which causes it to freeze together.
  - This generally occurs when the ice maker does not get enough water. This is usually the result of a clogged water filter or restricted water supply. Replace the water filter and if the condition still occurs check for a clogged Saddle Valve, water valve not turned on all the way or kinked water supply line.

### **Dispenser (Ice & Water)**

Dispenser will not dispense ice.

- There is no ice in the bin to be dispensed.
  - See the “Ice maker is not making any ice” section above
- The refrigerator doors are not completely closed.
  - Be sure the refrigerator doors are completely closed.
- Dispenser paddle has been pressed too long and the dispenser motor has overheated.
  - The motor overload protector will reset in about three minutes and then ice can be dispensed.

Ice dispenser is jammed.

- Ice has melted and frozen around auger due to infrequent use, temperature fluctuations, and/or power outages.
  - Remove ice container, thaw, and empty the contents. Clean container, wipe dry, and replace in proper position. When new ice is made, dispenser should operate.
- Ice cubes are jammed between ice maker and back of ice container.
  - Remove ice cubes that are jamming the dispenser.

Dispenser will not dispense water.

- Water filter not seated properly.
  - Remove and reinstall the water filter. For PurePour, be sure to push the filter in all the way until it clicks into place and is secured inside of the water filter housing.
- Water filter is clogged.
  - Replace filter cartridge. Be sure to push filter all the way in until it clicks into place and is secured inside of the water filter housing
- Household water line valve is not open.
  - Open household water line valve. See CONCERN column AUTOMATIC ICE MAKER.

Water not cold enough.

- The water dispensing system is not designed to chill water.
  - Add ice to cup or container before dispensing water.

Water has an odd taste and/or odor

- Water has not been dispensed for an extended period of time.
  - Draw and discard 10-12 glasses of water to freshen the supply.
- Unit not properly connected to cold water line.
  - Connect unit to cold water line that supplies water to the kitchen faucet.

### **Opening/Closing Of Doors/Drawers**

Door(s) will not close.

- Door was closed too hard, causing other door to open slightly.
  - Close both doors gently.
- Refrigerator is not level. It rocks on the floor when moved slightly
  - Ensure floor is level and solid, and can adequately support the refrigerator. Contact a carpenter to correct a sagging or sloping floor.
- Refrigerator is touching a wall or cabinet.
  - Ensure floor is level and solid, and can adequately support the refrigerator. Contact a carpenter to correct a sagging or sloping floor.

Drawers are difficult to move.

- Food is touching shelf on top of drawer.
  - Remove top layer of items in drawer.

- Track that drawers slide on is dirty
  - Ensure drawer is properly installed on track.
  - Clean drawer, rollers, and track. See Care & Cleaning.

## **Running of Refrigerator**

Compressor does not run.

- Freezer control is set to “OF”.
  - Set freezer control.
- Refrigerator is in defrost cycle.
  - This is normal for a fully automatic defrost refrigerator. The defrost cycle occurs periodically, lasting about 30 minutes
- Plug at electrical outlet is disconnected.
  - Ensure plug is tightly pushed into outlet
- House fuse blown or tripped circuit breaker.
  - Check/replace fuse with a 15 amp time-delay fuse. Reset circuit breaker.
- Power outage.
  - Check house lights. Call local electric company.

Refrigerator seems to run too much or too long

- Your variable speed compressor is designed to run 100% of the time except during the defrost cycle. At times it will run faster, such as after a defrost cycle.
  - It is normal for the compressor to run continuously except during defrost mode.

## **Digital Temperature Setting Display**

Digital temperature displays an error.

- Electronic control system has detected a performance problem.
  - Call your Electrolux service representative, who can interpret any messages or number codes flashing on the digital displays.

## **Water/Moisture/Frost Inside Refrigerator**

Moisture collects on inside of refrigerator walls.

- Weather is hot and humid.
  - The rate of frost buildup and internal sweating increases.

- Flipper mullion
  - Adjust flipper mullion. (See “To adjust the flipper mullion” in the Installation section.)

Water collects on bottom side of drawer cover

- Vegetables contain and give off moisture.
  - It is not unusual to have moisture on the bottom side of the cover. Move humidity control (some models) to lower setting.

Water collects in bottom of drawer.

- Washed vegetables and fruit drain while in the drawer.
  - Water collecting in bottom of drawer is normal. Dry items before putting them in the drawer or store produce in tightly sealed bags to help reduce condensation inside of the drawer.

### **Water/Moisture/Frost Outside Refrigerator**

Moisture collects on outside of refrigerator or between doors.

- Weather is humid.
  - This is normal in humid weather. When humidity is lower, the moisture should disappear.

### **Food in Fresh Food Compartment**

Food is freezing.

- Temperature setting is too low.
  - Move the setting to a higher degree.
- Temperature sensor is covered by food (right side of fresh food area).
  - Allow space for air flow to the sensor.
- Food is covering the air ports.
  - Allow space between the air ports and the food.

#### **Warning**

This content is compiled from multiple sources and is provided for reference purposes only. It may not be complete or fully applicable to all situations. If you are unable to resolve your issue, please contact the product manufacturer or an authorized service provider for official support.