

Microwave Oven Instructions

Installation Guide

1. Make sure that all the packing materials are removed from the inside of the door.
2. **WARNING!**--Check the oven for any damage, such as misaligned or bent door, damaged door seals and sealing surface, broken or loose door hinges and latches and dents inside the cavity or on the door. If there is any damage, do not operate the oven and contact qualified service personnel.
3. This microwave oven must be placed on a flat, stable surface to hold its weight and the heaviest food likely to be cooked in the oven.
4. Do not place the oven where heat, moisture, or high humidity are generated, or near combustible materials.
5. For correct operation, the oven must have sufficient airflow. Allow minimum 20cm of free space necessary above the top surface of the oven and 5cm at both sides. The microwave oven rear plate must be placed close to the wall. Do not cover or block any openings on the appliance. Do not remove feet.
6. Do not operate the oven without glass tray, roller support, and shaft in their proper positions.
7. Make sure that the power supply cord is undamaged and does not run under the oven or over any hot or sharp surface.
8. The socket must be readily accessible so that it can be easily unplugged in an emergency.
9. Do not use the oven outdoors.

GROUNDING INSTRUCTIONS

This appliance must be grounded. This oven is equipped with a cord having a grounding wire with a grounding plug. It must be plugged into a wall receptacle that is properly installed and grounded. In the event of an electrical short circuit, grounding reduces risk of electric shock by providing an escape wire for the electric current. It is recommended that a separate circuit serving only the oven be provided. Using a high voltage is dangerous and may result in a fire or other accident causing oven damage.

WARNING!--Improper use of the grounding plug can result in a risk of electric shock.

Note:

1. If you have any questions about the grounding or electrical instructions, consult a qualified electrician or service person.

2. Neither the manufacturer nor the dealer can accept any liability for damage to the oven or personal injury resulting from failure to observe the electrical connection procedures.

The wires in this cable main are colored in accordance with the following code:

Green and Yellow = EARTH

Blue = NEUTRAL

Brown = LIVE

Radio Interference

Operation of the microwave oven can cause interference to your radio, TV, or similar equipment. When there is interference, it may be reduced or eliminated by taking the following measures:

1. Clean door and sealing surface of the oven.
2. Reorient the receiving antenna of radio or television.
3. Relocate the microwave oven with respect to the receiver.
4. Move the microwave oven away from the receiver.
5. Plug the microwave oven into a different outlet so that microwave oven and receiver are on different branch circuits.

Before Calling For Service

Before asking for service, please check each item below:

- Check to ensure the oven is plugged in securely. If not, remove the plug from the outlet, wait 10 seconds, and plug it in again securely.
- Check for a blown circuit fuse or a tripped main circuit breaker. If these seem to be operating properly, test the outlet with another appliance.
- Check to ensure the control panel is programmed correctly and the timer is set.
- Check to ensure the door is securely closed, engaging the door lock system. If the door is not properly closed, the microwave energy will not flow inside.

IF NONE OF THE ABOVE RECTIFIES THE SITUATION, THEN CONTACT A QUALIFIED TECHNICIAN. DO NOT TRY TO ADJUST OR REPAIR THE OVEN YOURSELF.

Cooking Techniques

1. Arrange food carefully. Place thickest areas towards outside of dish.
2. Watch cooking time. Cook for the shortest amount of time indicated and add more as needed. Food severely overcooked can smoke or ignite.

3. Cover foods while cooking. Covers prevent splattering and help foods to cook evenly.
4. Turn foods over once during microwave cooking to speed cooking of such foods as chicken and hamburgers. Large items like roasts must be turned over at least once.
5. Rearrange foods such as meatballs halfway through cooking both from top to bottom and from the center of the dish to the outside.

Cooking Utensils Guide

1. Microwave cannot penetrate metal. Only use utensils that are suitable for use in microwave ovens. Metallic containers for food and beverages are not allowed during microwave cooking.

This requirement is not applicable if the manufacturer specifies size and shape of metallic containers suitable for microwave cooking.

2. Microwave cannot penetrate metal, so metal utensils or dishes with metallic trim should not be used.

3. Do not use recycled paper products when microwave cooking, as they may contain small metal fragments which may cause sparks and/or fires.

4. Round /oval dishes rather than square/oblong ones are recommend, as food in corners tends to overcook.

5. Narrow strips of aluminum foil may be used to prevent overcooking of exposed areas. But be careful don't use too much and keep a distance of 1 inch (2.54cm) between foil and cavity.

The list below is a general guide to help you select the correct utensils. _

Cookware	Microwave	Grill	Convection	Combination*
Heat-Resistant Glass	Yes	Yes	Yes	Yes
Non Heat-Resistant Glass	No	No	No	No
Heat-Resistant Ceramics	Yes	Yes	Yes	Yes
Microwave-Safe Plastic Dish	Yes	No	No	No
Kitchen Paper	Yes	No	No	No
Metal Tray	No	Yes	Yes	No
Metal Rack	No	Yes	Yes	No
Aluminum Foil & Foil Container	No	Yes	Yes	No

* Combination: applicable for both "microwave+grill", and "microwave+convection" cooking.

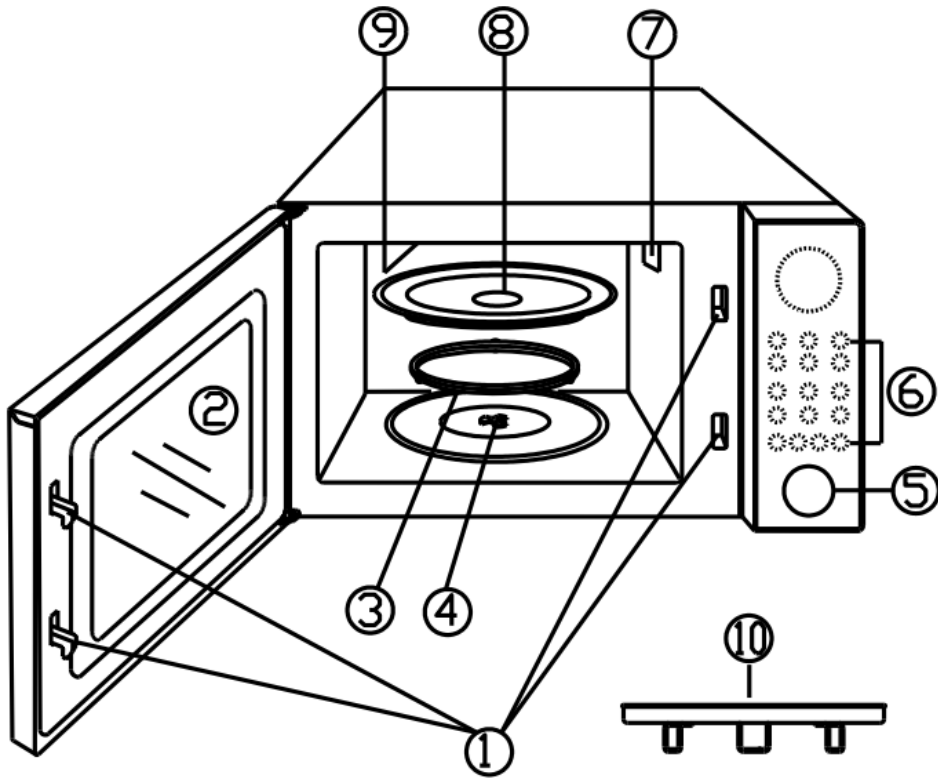


Specifications

Power Supply	230-240V/50Hz
Power Consumption (Microwave)	1400W
Power Consumption (Grill)	1000W
Power Consumption (Convection)	1950W
Rated Microwave Power Output	900W
Operation Frequency	2450MHz
Outside Dimensions	292mm(H)x483mm(W)x405mm(D)
Oven Cavity Dimensions	220mm(H)x340mm(W)x344mm(D)
Oven Capacity	25Litres
Net Weight	Approx. 16 kg



Product Diagram



1. Door Safety Lock System
2. Oven Window
3. Roller Ring
4. Shaft
5. Door Release Button
6. Control Panel
7. Wave Guide (Please do not remove the mica plate covering the wave guide)
8. Glass Tray
9. Grill Heater
10. Baking Plate

Control Panel





DISPLAY

Cooking time, power, indicators and clock time are displayed.

POWER LEVEL 

Touch to select microwave power level.

MICRO+GRILL 

Touch to select one of two combination cooking settings.

GRILL 

Use to set grill cooking program.

MICRO+CONVECTION 

Touch to select one of four combination cooking settings.

DEFROST 

Touch to set defrosted program.

CONVECTION 

Touch to program convection cooking program.

+/-

Press to set cooking time, temperature or food weight

Press to select auto-menu.

START/+30SEC 

Touch to start cooking program.

Simply press it a number of times to set cooking time and cook immediately at full power level.

AUTO 

Instant settings to cook popular foods.



STOP 

Press once to temporarily stop cooking, or twice to cancel cooking altogether.

PRESET 

Use to set preset function.

LOCK 

Use to set child lock.

CLOCK 

Use to set clock time.

ECO 

Use to save power.

MUTE 

Use to set mute function

Operation Instructions

- When the oven first plugged in, beep will sound and the display will show " 1:01 ".
- In the process of cooking set, broke about 25 seconds the oven will return to standby mode.
- During cooking program, touch STOP pad to pause the program, then touch START/ +30SEC pad to resume. but if press STOP pad twice, the program will be cancelled.
- After ending cooking, the screen will display End with sound every two minutes until user touch STOP pad or open the door.
- The electronically controlling system of the microwave oven has the feature of cooling. As for any cooking mode which cooking time above 2 minutes, after cooking end, the oven fan will work about 3 minutes automatically to cool the oven for prolonging the life of the oven.

Setting the clock

1. In standby mode, touch CLOCK once.
2. Use the +/- pads to set hour digit.

3. Touch START/+30SEC once.
4. Use the +/- pads to set minute digit.
5. Touch START/+30SEC to confirm.

NOTE: This is a 24 hour clock. During cooking, you can check the current time by pressing CLOCK.

Quick start

Use this feature to program the oven to start at 100% power conveniently. The max time can be set is 10 minutes. In standby mode, touch START/+30SEC in quick succession to set the cooking time. The oven will auto-start immediately.

NOTE: During cooking, you can also add the cooking time by pressing START/+30SEC pad.

Microwave cooking

1. In standby mode, open the door and place the food into the oven, close it.
2. If you want to set a power level other than 100% power, touch POWER LEVEL pad, and then use the +/- pads to select power level (100%, 80%, 60%, 40%, 20%, 0%).
3. Touch START/+30SEC to confirm.
4. Use the +/- pads to enter cooking time. Maximum cooking time is 95 minutes.
5. Touch START/+30SEC to confirm.

NOTE: During microwave cooking, you can check the power by pressing the POWER LEVEL pad.

Grill

1. Touch GRILL pad once.
2. Use the +/- pads to enter cooking time. Maximum cooking time is 95 minutes.
3. Touch START/+30SEC pad to start.

Micro+grill

1. Touch MICRO+GRILL pad once.
2. Use the +/- pads to select combination code.

Combination	Cooking time	
	Microwave	Grill
Co-1	30%	70%
Co- 2	55%	45%

3. Touch START/+30SEC to confirm.

4. Use the +/- pads to enter cooking time. Maximum cooking time is 95 minutes.

5. Touch START/+30SEC to start.

NOTE: During cooking, you can check the combination mode by pressing the MICRO+GRILL pad.

Convection

During convection cooking, hot air is circulated throughout the oven cavity to brown and make crisp foods quickly and evenly. This oven can be programmed for ten different cooking temperatures.

To cook with convection

Touch CONVECTION pad once and then touch the +/- pad to enter the desired convection temperature.

(200°C → 190°C → 180°C → 170°C → 160°C → 150°C → 140°C → 130°C → 120°C → 110°C).

1. Open the oven door and place the food, close it.
2. Touch CONVECTION pad once.
3. Touch +/- pads to indicate convection temperature.
4. Touch START/+30SEC pad to confirm.
5. Use the +/- pads to enter cooking time. Maximum cooking time is 95 minutes.
6. Touch START/+30SEC pad to start.

NOTE: During cooking, you can check the convection temperature by touching the CONVECTION pad.

Micro+convection

This oven has four pre-programmed settings that make it easy to cook with both convection heat and microwave automatically.

1. In standby mode, touch MICRO+CONVECTION pad once.

2. Use the +/- pads to select a convection temperature(200°C → 170°C → 140°C → 110°C).
3. Touch START/+30SEC pad to confirm.
4. Use the +/- pads to enter cooking time. Maximum cooking time is 95 minutes.
5. Touch START/+30SEC pad to start.

NOTE: During cooking, you can check the convection temperature by pressing the MICRO+ CONVECTION pad.

Speed defrost

1. In standby mode, touch DEFROST pad once.
2. Use the +/- pads to enter defrosting time.
3. Touch START/+30SEC pad to confirm.

NOTE: During defrosting program, the system will pause to remind you to turn over the food.

Weight defrost

1. In standby mode, touch DEFROST pad twice.
2. Use the +/- pads to enter food weight.
3. Touch START/+30SEC pad to confirm.

NOTE: During defrosting program, the system will pause to remind you to turn over the food.

Preset

Preset function allows the oven to start up in a later time.

1. Set a cooking program (except quick start, speed defrost and weight defrost).
2. Touch the PRESET pad once.
3. Use the +/- pads to enter hour digit.
4. Touch START/+30SEC pad to confirm.
5. Use the +/- pads to enter minute digit.
6. Touch START/+30SEC pad to confirm.

NOTE: In preset mode, the preset time can be seen by pressing PRESET pad, if press STOP pad when the display shows the time, the function can be cancelled.

Child lock

Use to prevent unsupervised operation of the oven by little children.

To set the child proof lock: In standby mode, press and hold LOCK button for 3 seconds, then a beep will sound, the oven will auto enter child lock mode and the lock indicator light will turn on. In the lock state, all buttons are disabled.

To cancel the child proof lock: Press and hold LOCK button for 3 seconds, then a beep will sound and the indicator light will come off.

Eco function

Set the method: In standby mode, pressing ECO pad once can turn off the display screen and a beep will sound. The oven will enter power saving mode.

Lifting method: During the power saving mode, it will be canceled by press any pad and a beep will sound. The display screen will light up.

Mute function

To set mute function: Press MUTE pad once, then a beep will sound. This time by all the function keys have no prompt tone.

To relieve mute function: In mute mode, Press MUTE pad once, then a beep will sound.

Automatic protection mechanism

FREQUENCY CONVERSION PROTECTION - In the microwave mode, if undetectable feedback signal for five seconds, the system will stop working, and buzzer constantly issued "DE" hint sound and display "E-1". After troubleshooting, press the STOP button, the system back to normal standby mode. OVERHEATING PROTECTION - Digital tube has been shows E01 and had been "DE-DE" alarm when the system into the super high temperature protection status. The system into normal standby mode when faults remove and touch STOP pad.

LOW TEMPERATURE PROTECTION - Digital tube has been shows "E02" and had been "DE-DE" alarm when the system enters into the low temperature protection status. Until touch STOP pad, the system enters into normal standby mode .

SENSOR MALFUNCTION PROTECTION - In case of short circuit, the system enters into malfunction protection. The digital tube has been shows "E03" and had been "DE-DE" alarm. Until touch STOP pad, the system enters into normal standby mode

Auto cook

For food or the following cooking mode, it is not necessary to program the time and the cooking power. It is sufficient to indicate the type of food that you want to cook as well as the weight or shares of this food.

1. In standby mode, touch the AUTO pad once
2. Use the +/- pads to select desired menu.
3. Touch START/+30SEC pad to confirm.
4. Use the +/- pads to select desired submenu.
5. Touch START/+30SEC pad to confirm.

6. Use the +/- pads to enter food weight or shares.

7. Touch START/+30SEC pad to start.

Auto cooking menus:



Code	Menu	Code	Submenu	Notes
A-01	Bread	b-1	Savoury pie	The result of auto cooking depends on factors such as the shape and size of food, your personal preference as to the doneness of certain foods and even how well you happen to place food in the oven. If you the result at any rate not quite satisfactory, please adjust the cooking time a little bit accordingly.
		b-2	Yeast	
		b-3	Bread	
		b-4	Whole meal pizza	
A-02	Fish	b-1	Slice of swordfish	
		b-2	Fillet of salmon	
		b-3	Bream	
		b-4	Shrimps	
A-03	Vegetable	b-1	Spinach	
		b-2	Sliced carrots	
		b-3	Broccoli	
		b-4	Vegetable soup	
A-04	Meat	b-1	Chicken breasts	
		b-2	Tenderloin veal	
		b-3	Poached eggs	
		b-4	Scrambled eggs	

A-05	Healthy	b-1	Natural yogurt
		b-2	Soaked legumes
		b-3	Dried food
		b-4	Porridge
A-06	Papas	b-1	Whole meal pasta
		b-2	Whole meal rice
		b-3	Farro (perlato)
		b-4	Quinoa
A-07	Cakes	b-1	Cake
		b-2	Biscuits
		b-3	Muffins
		b-4	Jam
A-08	Potato	b-1	Baked sweet potatoes
		b-2	Baked potatoes
		b-3	Boiled potatoes
		b-4	Beetroots

Cleaning and Care

1. Turn off the oven and unplug the power cord from the wall when cleaning.
2. Keep the inside of the oven clean. When food splatters or spilled liquids adhere to oven walls, wipe with a damp cloth. Mild detergents may be used if the oven gets very dirty. Avoid using spray or other harsh cleaners. They may stain, streak or dull the door surface.
3. The outside of the oven should be cleaned with a damp cloth. To prevent damage to the operating parts inside the oven, water should not be allowed to seep into the ventilation openings.
4. Wipe the door and window on both sides, the door seals and adjacent parts frequently with a damp cloth to remove any spills or splatters. Do not use abrasive cleaner.
5. A steam cleaner is not be used.
6. Do not allow the control panel to become wet. Clean with a soft, damp cloth. When cleaning the control panel, leave oven door open to prevent oven from accidentally turning on.
7. If steam accumulates inside or around the outside of the oven door, wipe with a soft cloth. This may occur when the microwave oven is operated under high humidity condition. And it is normal.
8. It is occasionally necessary to remove the glass tray for cleaning. Wash the tray in warm sudsy water or in a dishwasher.
9. The roller ring and oven floor should be cleaned regularly to avoid excessive noise. Simply wipe the bottom surface of the oven with mild detergent. The roller ring may be washed in mild, soapy water or in a dishwasher. When removing the roller ring, be sure to replace it in the proper position.
10. Remove odors from your oven by combining a cup of water with the juice and skin of one lemon in a microwaveable bowl. Microwave for 5 minutes. Wipe thoroughly and dry with a soft cloth.
11. If the light bulb burns out, please contact customer service to have it replaced.
12. The oven should be cleaned regularly and any food deposits should be removed. Failure to maintain the oven in a clean condition could lead to deterioration of surface that could adversely affect the life of the unit and could possibly result in a hazardous situation.
13. Please do not dispose of this appliance into the domestic rubbish bin; it should be disposed to the particular disposal center provided by the municipalities.
14. When the microwave oven with grill function is first used, it may produce slight smoke and smell. This is a normal phenomenon, because the oven is made of a steel plate coated with lubricating oil, and the new oven will produce fumes and odor generated by burning the lubricating oil. This phenomenon will disappear after a period of using.

The user manual can also be check and download from our website

Warning

This content is compiled from multiple sources and is provided for reference purposes only. It may not be complete or fully applicable to all situations. If you are unable to resolve your issue, please contact the product manufacturer or an authorized service provider for official support.

Document generated by [ManualsFile](#)

