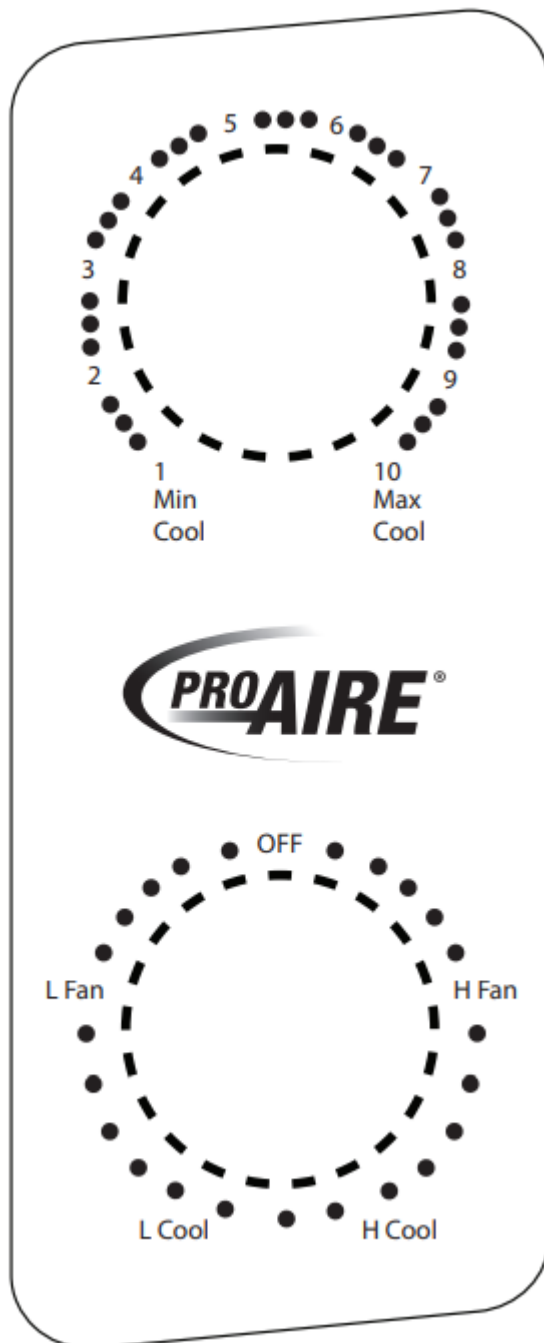


## Using the Air Conditioner

### Controls

(Features and appearance may vary)



### Air Conditioner Controls

#### Controls

## 1. Temperature Controls

- This determines how much cooling is provided. Max Cool - 10 provides the most cooling and Min Cool - 1 provides the least.
- Cooling Descriptions
  - For Normal Cooling —Select 4-7 on the dial with HCool r LCool selected.
  - For Maximum Cooling —Select 8-10 on the dial with HCool selected.
  - For Quieter and Nighttime Cooling —Select 1-3 on the dial with LCool selected.

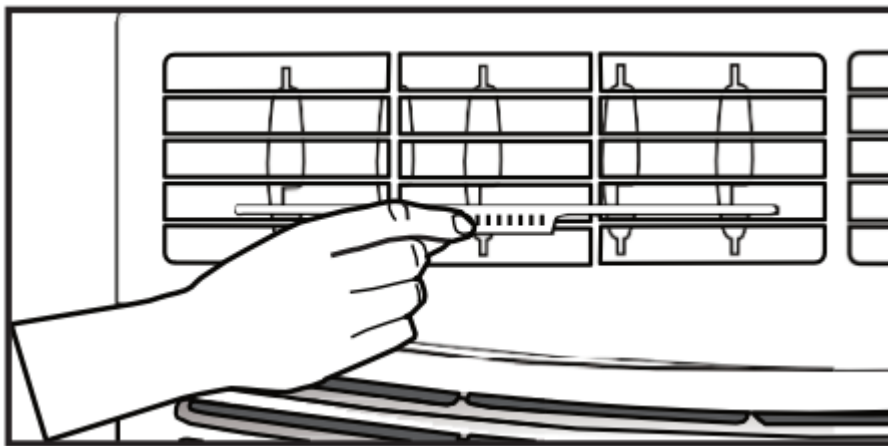
## 2. Mode Control

- HCool and LCool provide cooling with different fan setting (H-High/L-Low) speeds.
- HFan and LFan provide circulation and filtering without cooling. (H- High / L – Low)

Note: If you move the Temperature knob from cool to FAN MODE or power off the unit while cooling, wait at least 3 minutes before switching back to COOL MODE.

## Air Direction

Use the lever to adjust the air direction left to right.



## CARE AND CLEANING

### Maintenance

- Do Not Operate in Freezing Outdoor Conditions
- This cool-only air conditioner was not designed for freezing outdoor conditions. It must not be used when the outdoor temperature is below freezing (32°F).

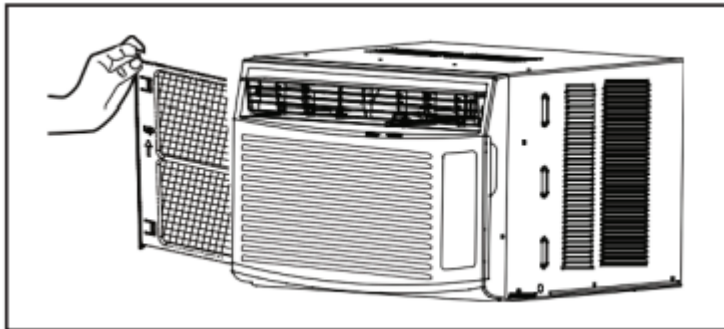
## Grille and Case

- Turn the air conditioner off and remove the plug from the wall outlet before cleaning.
- Clean filter by using warm water and a mild detergent. Do not use bleach or abrasives.

## Air Filter

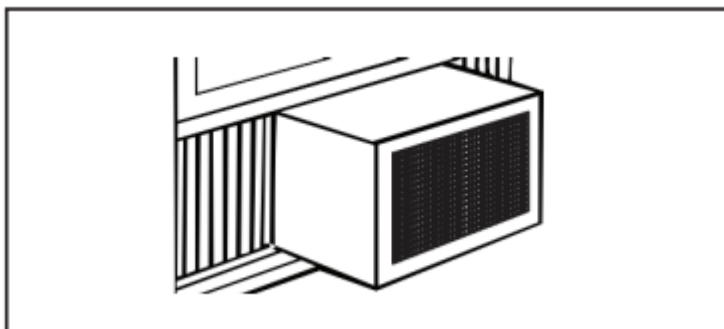
- The air filter should be checked and cleaned at least every 30 days.
- To Remove
  - Slide the filter from the left side of the unit. Remove the filter.
  - Clean the filter with warm, soapy water. Rinse and let the filter dry before replacing it. Do not place filter in a dishwasher.

CAUTION: DO NOT operate the air conditioner without a filter as this will cause dirt and lint to build up and will reduce the performance of the unit.



## Outdoor Coils

The coils on the outdoor side of the air conditioner should be checked regularly. If they are clogged with dirt or soot, they may need to be professionally cleaned.



# INSTALLATION INSTRUCTIONS

## BEFORE YOU BEGIN

Read these instructions completely and carefully.

- **IMPORTANT** – Save these instructions for local inspector's use.
- **IMPORTANT** – Observe all governing codes and ordinances.
- **Note to Installer** – Be sure to leave these instructions with the Consumer.
- **Note to Consumer** – Keep these instructions for future reference.
- **Skill Level** – Installation of this appliance requires basic mechanical skills.
- **Completion Time** – Approximately 1 hour.
- We recommend that two people install this product.
- Proper installation is the responsibility of the installer.
- Product failure due to improper installation is not covered under the Warranty.
- You **MUST** use all supplied parts and use proper installation procedures as described in these instructions when installing this air conditioner.

## ELECTRICAL REQUIREMENTS



This model requires:

- 115/120-volt AC, 60-Hz grounded outlet protected with a 15-amp time-delay fuse or circuit breaker.
- The 3-prong grounding plug minimizes the possibility of electric shock hazard. If the wall outlet you plan to use is only a 2-prong outlet, it is your responsibility to have it replaced with a properly grounded 3-prong wall outlet.

### CAUTION

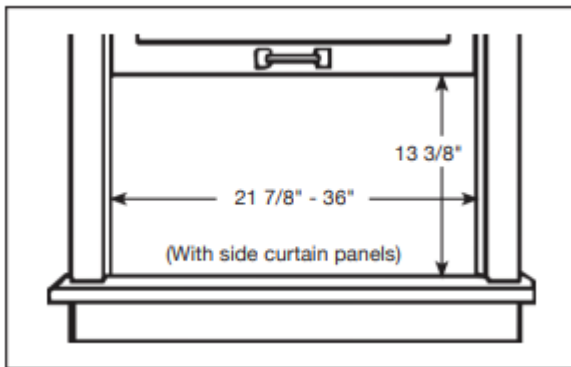
- Do not, under any circumstances, cut or remove the third (ground) prong from the power cord.
- Do not change the plug on the power cord of this air conditioner.
- Aluminum house wiring may create issues - consult a qualified electrician.

The power cord includes a current interrupter device. A test and reset button are provided on the plug case. The device should be tested on a periodic basis by first pressing the TEST button and

then the RESET button while plugged into the outlet. If the TEST button does not trip or if the RESET button will not stay engaged, discontinue use of the air conditioner and contact a qualified service technician.

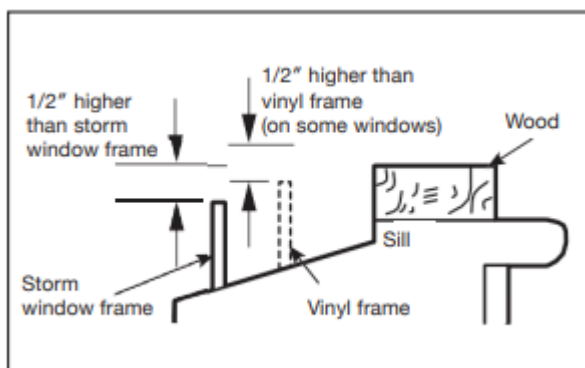
## 1. WINDOW REQUIREMENTS

- These instructions are for a standard double-hung window. You will need to modify them for other types of windows.
- The air conditioner can be installed without the side curtain panels if needed to fit in a narrow window. See the window opening dimensions.
- All supporting parts must be secured to firm wood, masonry or metal.
- The electrical outlet must be within reach of the power cord.
- Follow the dimensions in the table and illustration for your model.



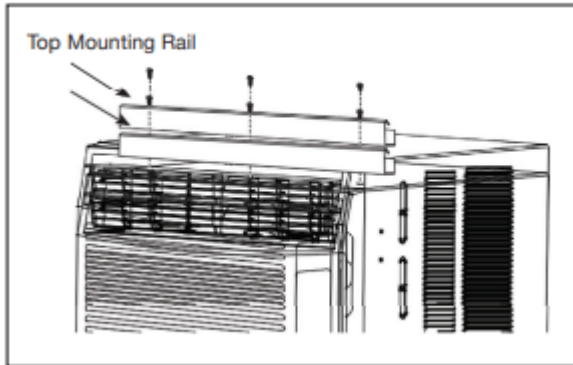
## 2. STORM WINDOW REQUIREMENTS

- A storm window frame will not allow the air conditioner to tilt toward the outside and will keep it from draining properly. To adjust for this, attach a piece of wood to the sill.
- WOOD PIECES WIDTH: 2"
- LENGTH: Long enough to fit inside the window frame.
- THICKNESS: To determine the thickness, place a piece of wood on the sill to make it  $\frac{1}{2}''$  higher than the top of the storm window frame or the vinyl frame.
- Attach securely with nails or screws provided by the installer.

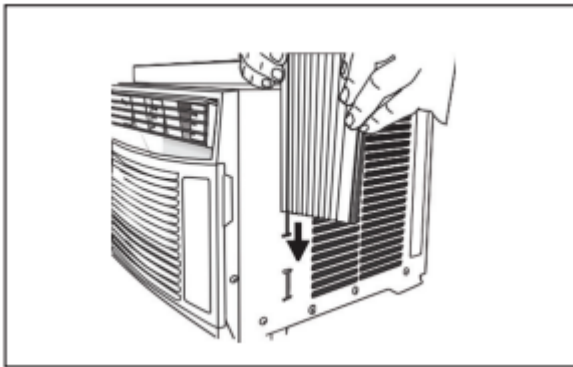


### 3. PREPARE THE AIR CONDITIONER

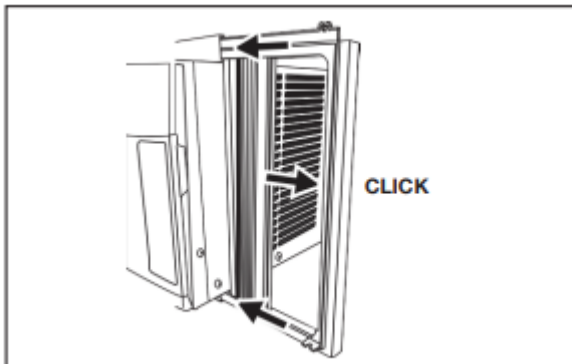
A. Screw the top mounting rail onto the top of the AC with 3 Type A screws.



B. Slide the curtain panels into the side panel rails.

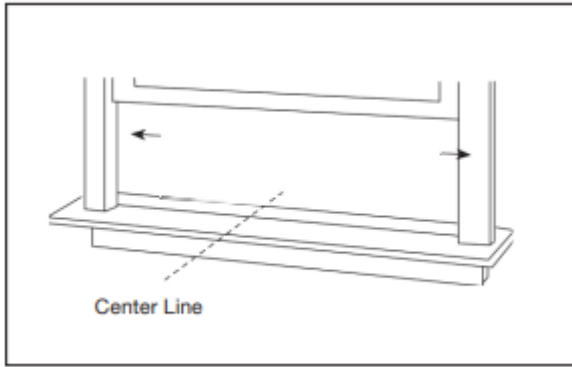


C. Assure that the side curtains snap into side of the frames.

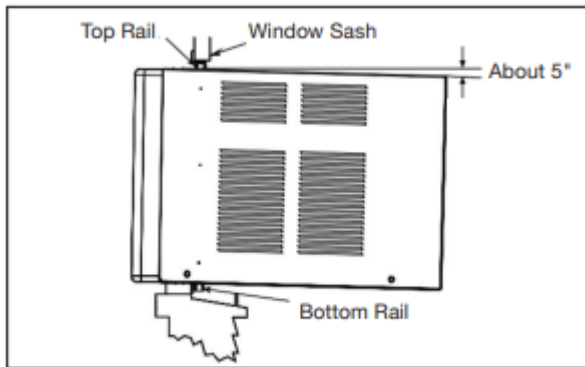


### 4. INSTALL THE AIR CONDITIONER IN THE WINDOW

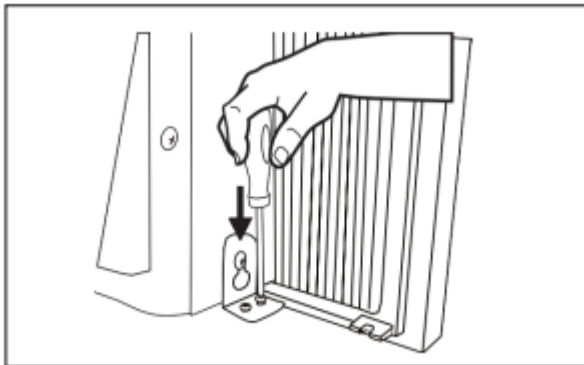
A. Measure the width of the window opening and mark the center line on the inside windowsill. Place the unit in the window. Lower the window to hold unit in place.



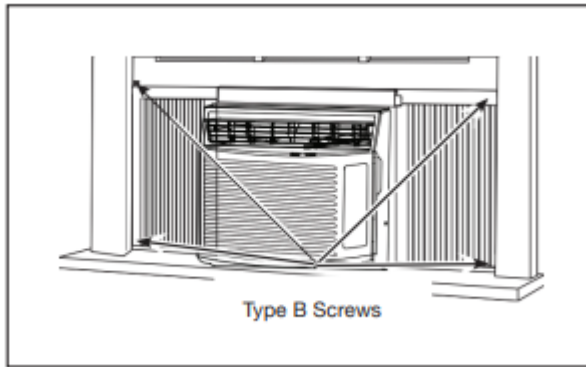
B. Set the air conditioner in the window so that is centered. Place the air conditioner so that front edge of the bottom mounting rail is against the back edge of the sill.



C. Install the side bracket into the unit and into the windowsill using two 1" wood screws provided. repeat on other side.



D. Bring the window down so that the front edge of the top mounting is in front of the window. Make sure that the air conditioner is level or tilting slightly to the outside.

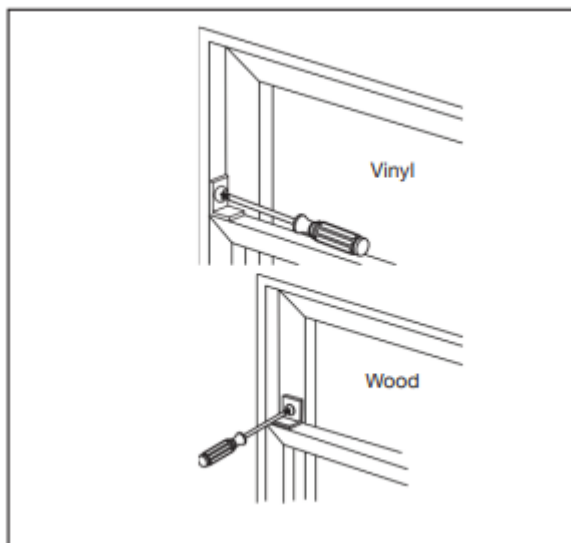


E. Extend the curtain panels until they fill the window. Mark the location of the holes in each corner. Use the drill and 1/8" drill bit to drill pilot holes. Use 4 Type B screws to secure the side panels in place.

## 5. INSTALL WINDOW LOCKING BRACKET AND FOAM TOP WINDOW GASKET

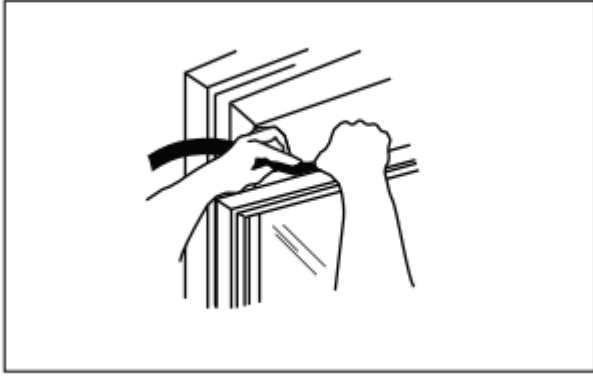
### CAUTION

A. To prevent broken glass or damage to windows, on vinyl or other similarly constructed windows, attach the window locking bracket to the window side jamb with one Type B screw.



B. Cut the foam top window gasket to the window width.

C. Stuff the foam between the glass and the window to prevent air and insects from getting into the room.



Note: If the gasket supplied does not fit your window, obtain the appropriate material locally to provide a proper installation seal.

## **TROUBLESHOOTING TIPS**

Review the chart on the following page for Troubleshooting Tips. If issue persists, please call for further assistance.

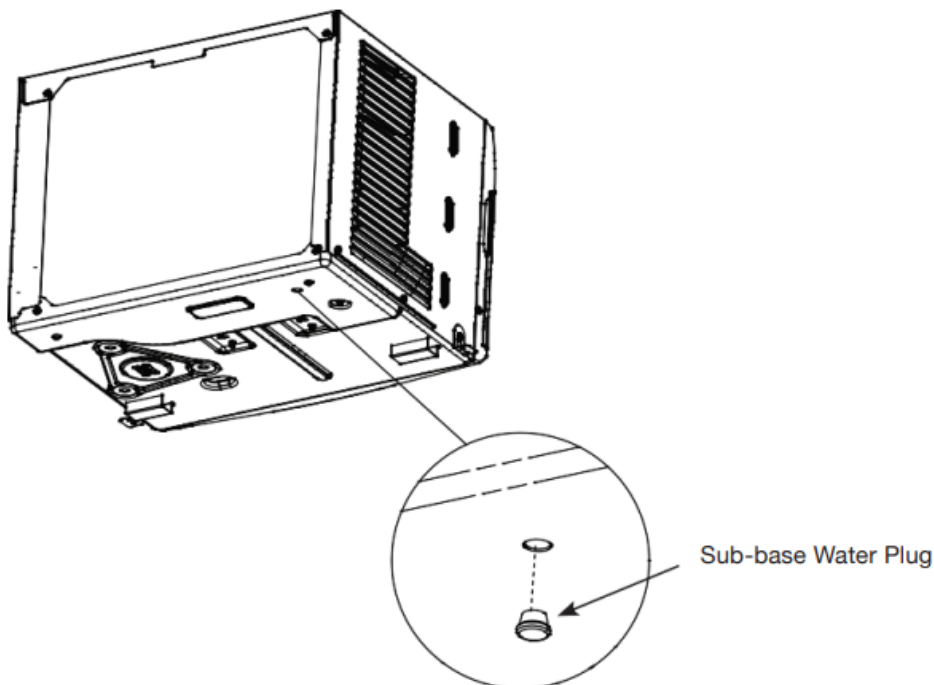
Issue	Possible Cause	What To Do
Air conditioner does not start	The unit is unplugged	Make sure the air conditioner plug is pushed completely into the outlet.
	The fuse is blown/circuit breaker is tripped	Check the house fuse/circuit breaker box and replace the fuse or reset the breaker.
	Power failure	The unit will automatically restart in the seconds used after the power is restored.  There is a protective time delay (approximately 3 minutes) to prevent tripping of the compressor due to overload. For this reason, the unit may not start normal cooling for 3 minutes after it is turned on.
	The current interrupter device is tripped	Press RESET button located on the power plug.  If the RESET button will not stay engaged, discontinue use of the air conditioner and call a qualified service technician.
Air conditioner does not cool as it should	Indoor airflow is restricted	Make sure there are not curtains, blinds or furniture blocking the front of the air conditioner.
	The temp control may not be set properly	Turn the temperature control to a higher number.
	The air filter is dirty	Clean the filter at least every 30 days. See <b>Filter and Cleaning</b> section.
	The room may have been hot	When the air conditioner is first turned on, you may need to allow time for the room to cool down.
	Cold air is escaping	Check for open furnace registers and cold air returns.
	Cooling coils have iced up	See “Air conditioner freezing up” below.
Air conditioner freezing up	Ice blocks the air flow and stops the air conditioner from cooling the room	On models with control knobs, set the mode control at High Fan or High Cool with the temperature control at 75 or 2. May have lost refrigerant.



Water drips outside	Hot, humid weather	This is normal.
Water drips inside	The air conditioner is not tilted to the outside	For proper disposal, make sure the air conditioner slants slightly from the case front to the rear.
Water collects in base pan	Moisture removed from air and drain into base pan	This is normal for a short period in areas with high humidity; normal for a longer period in very humid areas.

## Normal Operating Sounds

- You may hear a pinging noise caused by water being picked up and thrown against the condenser on rainy days or when the humidity is high. This is normal, unit is equipped with a slinger blade which scoops up the water from the drain pan and throws it onto the coils for better efficiency.
- You may hear the thermostat click when the compressor cycles on and off.
- Water will collect in the base pan during high humidity or on rainy days. The water may overflow and drip from the outdoor side of the unit. The drain plug may be removed for quicker drainage.
- The fan may run even when the compressor does not.



- Drain plug may be removed for gravity drain but may reduce efficiency.
- DO NOT drill any holes.

**Warning**

This content is compiled from multiple sources and is provided for reference purposes only. It may not be complete or fully applicable to all situations. If you are unable to resolve your issue, please contact the product manufacturer or an authorized service provider for official support.

---

Document generated by [ManualsFile](#)