

Instructions for use Fridge-freezer

Connecting the appliance

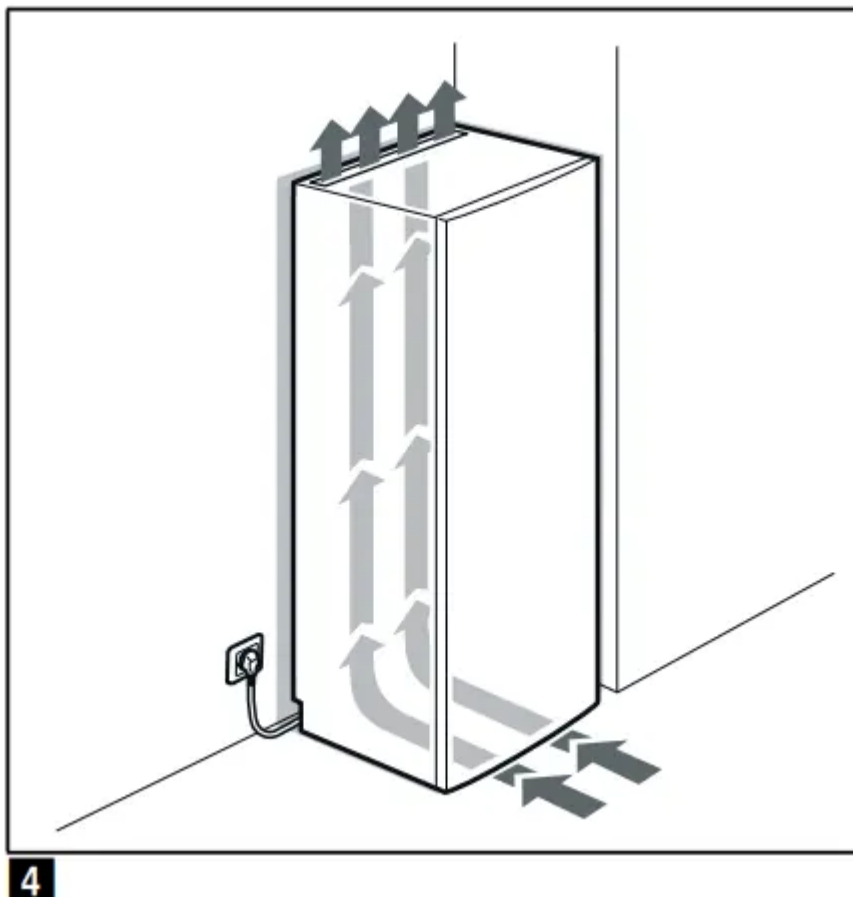
After installing the appliance, wait at least 1 hour until the appliance is switched on. During transportation the oil in the compressor may have flowed into the refrigeration system.

Before switching on the appliance for the first time, clean the interior of the appliance (see chapter “Cleaning the appliance”).

Electrical connection

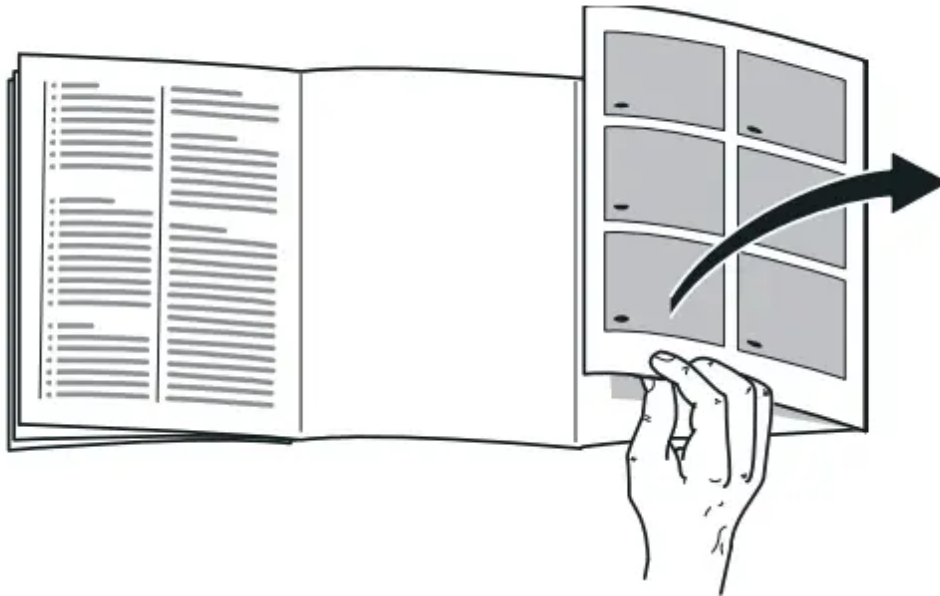
- The socket must be near the appliance and also freely accessible following installation of the appliance.

Warning: Risk of electric shock! If the length of the mains cable is inadequate, never use multiple sockets or extension leads. Instead, please contact Customer Service for alternatives. The appliance complies with protection class I. Connect the appliance to 220– 240 V/50 Hz alternating current via a correctly installed socket with protective conductor. The socket must be protected by a 10 A to 16 A fuse. For appliances operated in nonEuropean countries, check whether the indicated voltage and current type match the values of your electricity supply. This information can be found on the rating plate, Fig. 4.



Warning: Never connect the appliance to electronic energy saver plugs. Our appliances can be used with mains and sine-controlled inverters. Mainscontrolled inverters are used for photovoltaic systems which are connected directly to the national grid. Sine-controlled inverters must be used for isolated applications (e.g. on ships or in mountain lodges) which are not connected directly to the national grid.

Getting to know your appliance

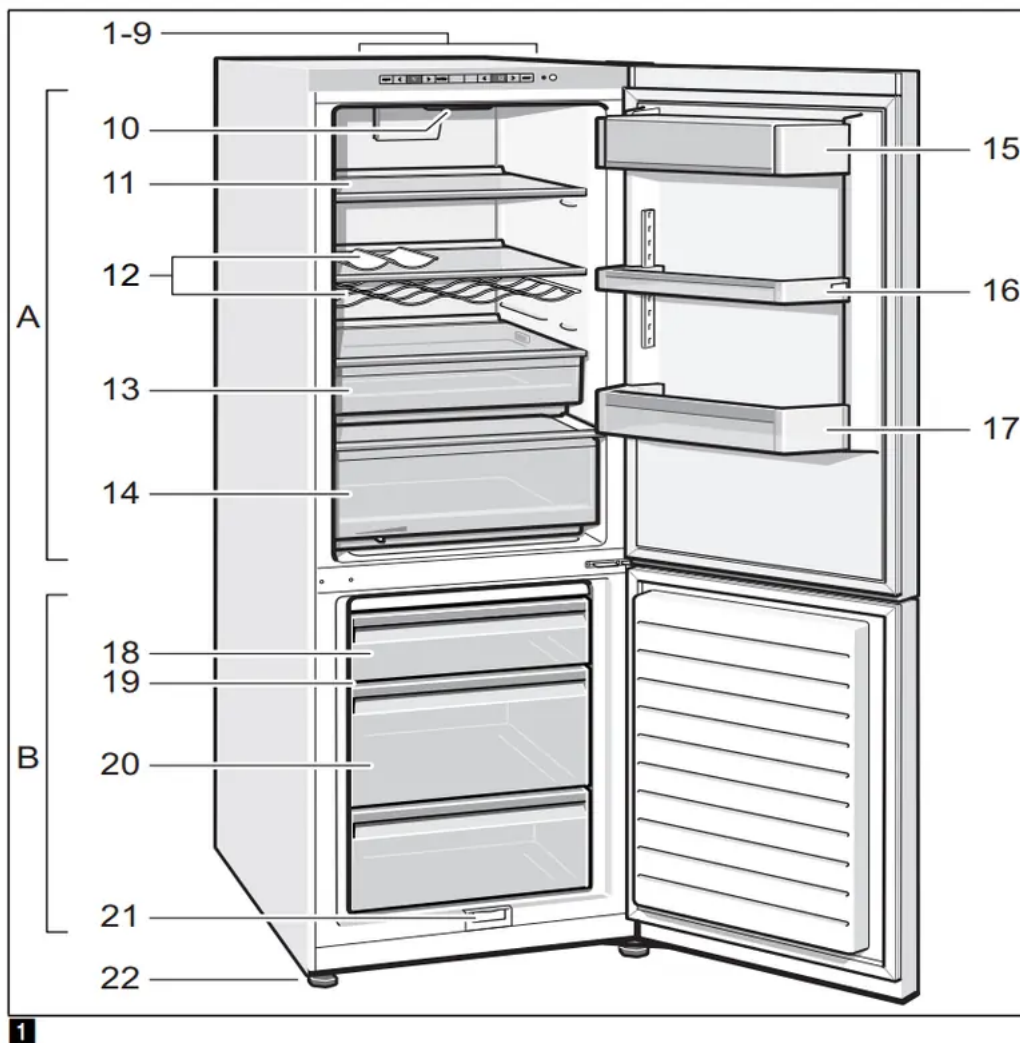


Please fold out the illustrated last page. These operating instructions refer to several models.

The features of the models may vary.

The diagrams may differ.

Fig. 1 * Not all models.



A. Refrigerator compartment

B. Freezer compartment

1-9. Controls

10. Light (LED)

11. Glass shelf in the refrigerator compartment

12*. Bottle shelf

13. Cold storage compartment

14. Vegetable container

15*. Butter and cheese compartment

16*. Door shelf "EasyLift"

17. Shelf for large bottles

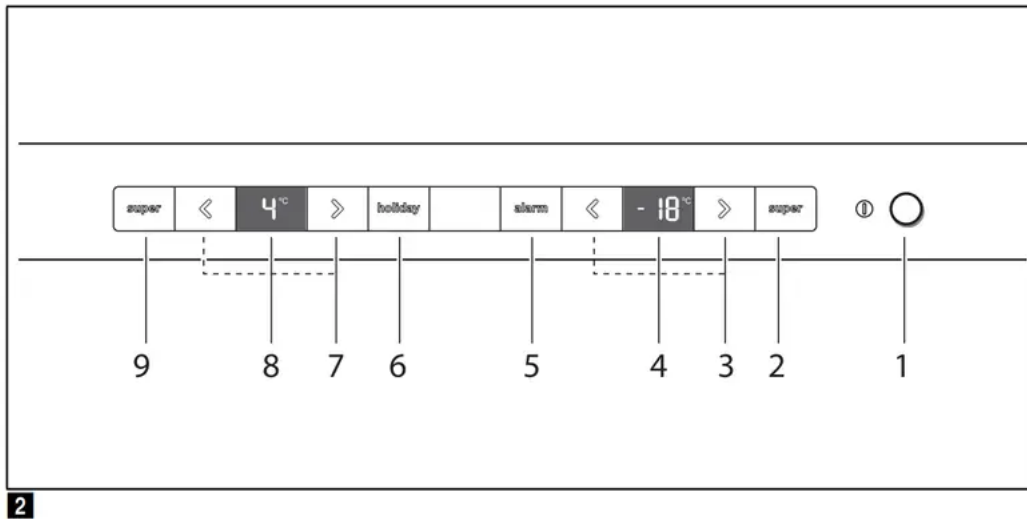
18. Frozen food container (small)

19. Glass shelf in the freezer compartment

- 20. Frozen food container (large)
- 21. Condensation outlet
- 22. Height-adjustable feet

Controls

Fig. 2



1. On/Off button: Serves to switch the whole appliance on and off.
2. “Super” button (freezer compartment): Switches super freezing on and off.
3. Temperature selection buttons freezer compartment: These buttons set the temperature in the freezer compartment.
4. Temperature display freezer compartment: The numbers correspond to the set freezer compartment temperatures in °C.
5. Alarm button: Used to switch off the warning signal, see chapter “Alarm function”.
6. Holiday button Is used to switch vacation mode on and off (see chapter entitled Vacation mode).
7. Temperature selection buttons refrigerator compartment: These buttons set the temperature in the refrigerator compartment.
8. Temperature display refrigerator compartment: The numbers correspond to the set refrigerator compartment temperatures in °C.
9. “Super” button refrigerator compartment: Switches super cooling on and off.

Switching the appliance on

1. Switch on the appliance with the On/ Off button 1. A warning signal sounds, the temperature display 4 flashes and the alarm button 5 is lit.

2. The warning signal is switched off by pressing the alarm button 5. The appliance begins to cool. Light is switched on when the door is open.

The factory has recommended the following temperatures:

- Refrigerator compartment: +4 °C
- Freezer compartment: -18 °C

Operating tips

- When the appliance has been switched on, it may take several hours until the set temperatures have been reached. Do not put any food in the appliance beforehand.
- The sides of the housing are sometimes heated slightly. This prevents condensation in the area of the door seal.
- If the freezer compartment door cannot be immediately re-opened after it has been closed, wait until the resulting low pressure has equalised.

Setting the temperature

Refrigerator compartment

- The temperature can be set from +2 °C to +8 °C.
- Keep pressing temperature setting button on refrigerator compartment 7, until the required refrigerator compartment temperature is set.
- The value last selected is saved. The set temperature is indicated on the temperature display for the refrigerator compartment 8.
- Perishable food should not be stored above +4 °C.

Freezer compartment

- The temperature can be set from -16 °C to -24 °C.
- Keep pressing temperature setting button freezer compartment 3 until the required freezer compartment temperature is set.
- The value last selected is saved. The set temperature is indicated on temperature display for the freezer compartment 4.

Holiday mode

- If leaving the appliance for a long period of time, you can switch the appliance over to the energy-saving holiday mode.
- When holiday mode is switched on, automatic super freezing is switched off.
- The refrigerator compartment temperature is automatically switched to +14 °C.

- Do not store any food in the refrigerator compartment during this time.

Switching on and off

Fig. 2

- Press the holiday button 6.
- If vacation mode is switched on, the button is lit and the refrigerator compartment temperature 8, no longer indicates a temperature.

Alarm functions

Door alarm

- A warning signal is switched on if the appliance door is left open for a while. Close the door to switch off the warning signal.

Temperature alarm

The temperature alarm switches on if the freezer compartment is too warm and the frozen food is at risk of thawing.

When the alarm button 5 is pressed, the freezer compartment temperature display 4 indicates for five seconds the warmest temperature reached in the freezer compartment. Then this value is deleted.

The temperature display for the freezer compartment 4 indicates the set freezer compartment temperature without flashing.

Henceforth the “warmest temperature” will be redefined and saved.

The alarm may switch on without any risk to the frozen food:

- when the appliance is switched on,
- when large quantities of fresh food are placed in the appliance, ■ if the freezer compartment door is open too long.

Note: Do not refreeze thawing or thawed food. Only ready meals (boiled or fried) may be refrozen. No longer store the frozen produce for the max. storage period.

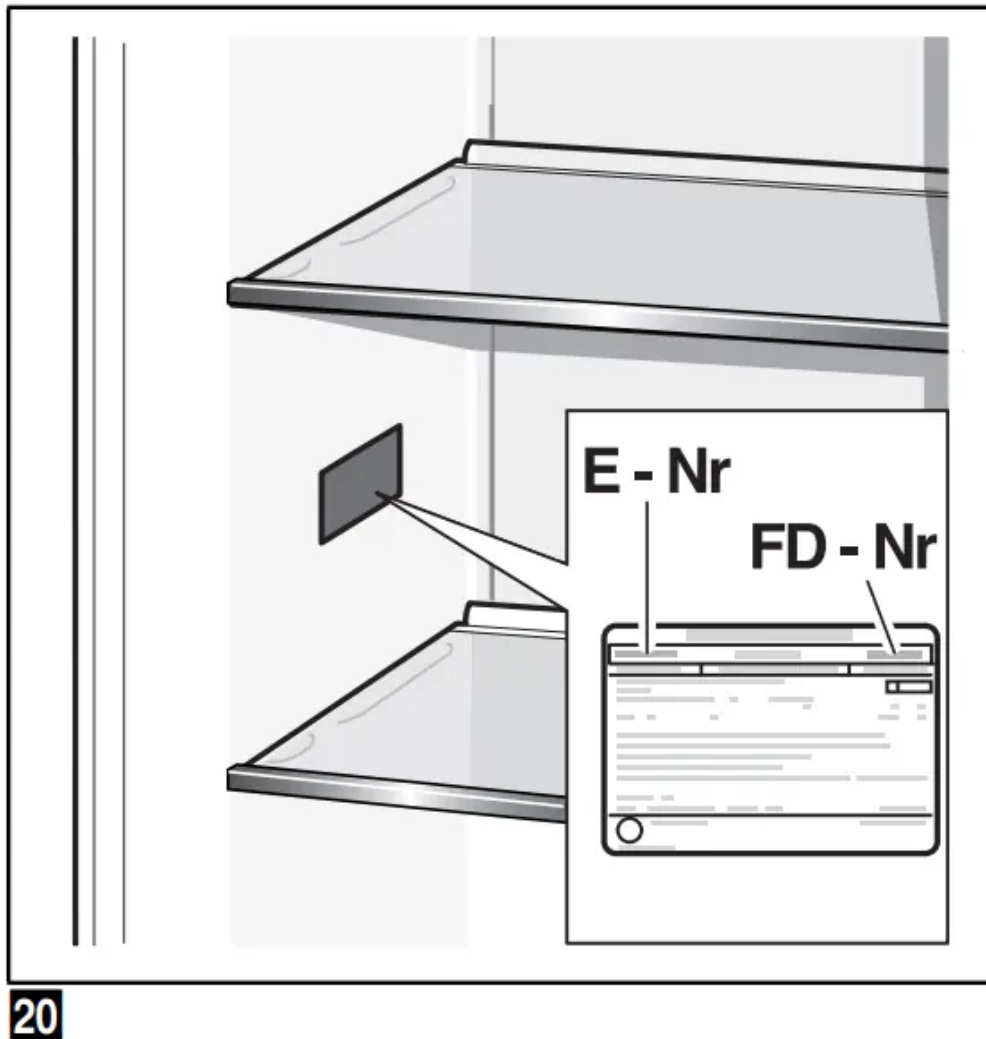
Switching off the alarm

Fig.2

- Press the alarm button 5 to switch off the warning signal.

Usable capacity

- Information on the usable capacity can be found inside your appliance on the rating plate. Fig. 20

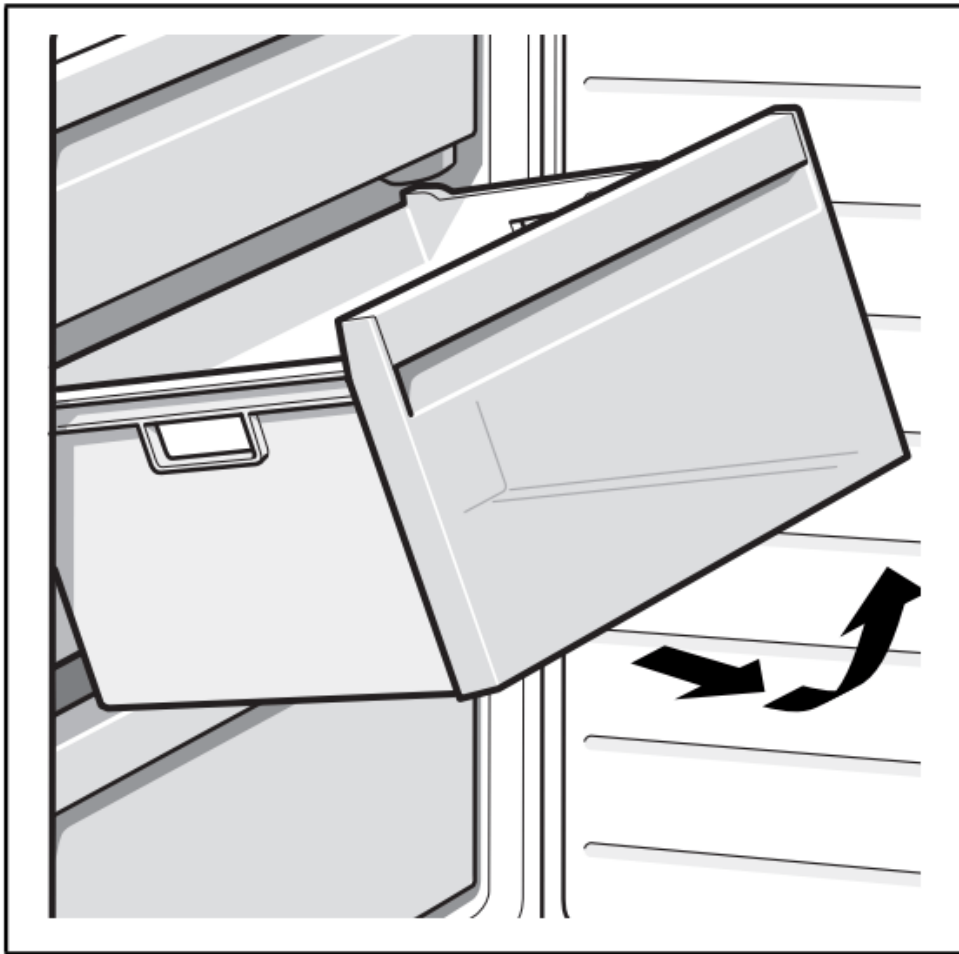


Fully utilising the freezer volume

- The maximum amount of food can be placed in the freezer by removing all fittings. The food can be stacked directly on the shelves and in the bottom of the freezer compartment.

Removing the fittings

- Pull out the frozen food container all the way, lift at the front and remove. Fig. 16



16

Refrigerator compartment

- The refrigerator compartment is the ideal storage location for ready meals, cakes and pastries, preserved food, condensed milk, hard cheese, fruit and vegetables sensitive to cold.

Note when loading products: Wrap or cover food before placing in the appliance. This will retain the aroma, colour and freshness of the food. In addition, flavours will not be transferred between foods and the plastic parts will not become discoloured.

Note: Avoid contact between food and rear panel. Otherwise the air circulation will be impaired. Food or packaging could freeze to the rear panel

Note the chill zones in the refrigerator compartment: The air circulation in the refrigerator compartment creates different chill zones:

- Coldest zone is on the rear panel inside the appliance and on the cold storage compartment. Fig. 1/13

Note: Store perishable food e.g. fish, sausage, meat in the coldest zones.

- Warmest zone is at the very top of the door.

Note: Store e.g. hard cheese and butter in the warmest zone. Cheese can then continue to release its flavour and the butter will still be easy to spread.

Super cooling

Super cooling sets the refrigerator temperature to the coldest temperature setting for approx. 15 hours. Then the appliance automatically switches to the temperature set prior to super cooling mode.

Switch on super cooling mode, e.g.

- before placing large quantities of food in the refrigerator compartment.
- for the fast cooling of drinks.

Note: When super cooling is switched on, increased operating noises may occur.

Switching on and off Fig. 2

- Press super button 9 refrigerator compartment.
- The button is lit when super cooling is switched on.

Freezer compartment

Use the freezer compartment

- To store deep-frozen food.
- To make ice cubes.
- To freeze food.

Note: Ensure that the freezer compartment door has been closed properly. If the door is open, the frozen food will thaw. The freezer compartment will become covered in thick ice. Also: waste of energy due to high power consumption!

Freezing capacity

Information on the freezing capacity can be found on the rating plate. Fig. 20

Prerequisites for freezing capacity

- Switch on fast freezing 24 hours before placing fresh products in the compartment (see chapter “Fast freezing”).

- Preferably freeze large quantities of food in the bottom compartment. This is where food freezes particularly quickly and therefore also gently

Freezing and storing food

Purchasing frozen food

- Packaging must not be damaged.
- Use by the “use by” date.
- Temperature in the supermarket freezer must be -18 °C or lower.
- If possible, transport deep-frozen food in an insulated bag and place quickly in the freezer compartment.

Freezing food

- Freeze fresh and undamaged food only.
- Keep food which is to be frozen away from food which is already frozen.
- To prevent food from losing its flavour or drying out, place in airtight containers.

Storing frozen food

Insert frozen food container all the way to ensure unrestricted air circulation. If you have to store lots of food, it is possible to transfer the food to the glass shelves and stack it on the base of the freezer base.

1. To do this, remove all the frozen food containers.
2. Pull out the frozen food containers all the way, lift at the front and remove. Fig. 16

Freezing smaller amounts of food

- How you freeze smaller amounts of food, so that they are frozen solid extremely quickly, can be found in the section Automatic super freezing.

Freezing fresh food

Freeze fresh and undamaged food only. To retain the best possible nutritional value, flavour and colour, vegetables should be blanched before freezing. Aubergines, peppers, zucchini and asparagus do not require blanching. Literature on freezing and blanching can be found in bookshops.

Note: Keep food which is to be frozen away from food which is already frozen.

- The following foods are suitable for freezing: Cakes and pastries, fish and seafood, meat, game, poultry, vegetables, fruit, herbs, eggs without shells, dairy products such as

cheese, butter and quark, ready meals and leftovers such as soups, stews, cooked meat and fish, potato dishes, soufflés and desserts.

- The following foods are not suitable for freezing: Types of vegetables, which are usually consumed raw, such as lettuce or radishes, eggs in shells, grapes, whole apples, pears and peaches, hard-boiled eggs, yoghurt, soured milk, sour cream, crème fraîche and mayonnaise

Packing frozen food

To prevent food from losing its flavour or drying out, place in airtight containers.

1. Place food in packaging.
2. Remove air.
3. Seal the wrapping.
4. Label packaging with contents and date of freezing.

Suitable packaging: Cling wrap, tubular film made of polyethylene, aluminium foil, freezer containers. These products are available from specialist outlets.

Unsuitable packaging: Wrapping paper, greaseproof paper, cellophane, bin liners and used shopping bags.

Items suitable for sealing packaged food: Rubber bands, plastic clips, string, coldresistant adhesive tape, etc. Bags and tubular film made of polyethylene (PE) can be sealed with a film heat sealer.

Shelf life of frozen food

Storage duration depends on the type of food.

At a temperature of -18 °C:

- Fish, sausage, ready meals and cakes and pastries: up to 6 months
- Cheese, poultry and meat: up to 8 months
- Vegetables and fruit: up to 12 months

Super freezing

Food should be frozen solid as quickly as possible in order to retain vitamins, nutritional value, appearance and flavour.

The appliance runs constantly when super freezing has been switched on. The freezer compartment temperatures are much lower than in normal operation.

Switching on super freezing

Depending on the amounts of food to be frozen, you can use super freezing in different ways.

Note: When super freezing is switched on, increased operating noises may occur.

Automatic super freezing

Smaller amounts of food are frozen solid extremely quickly if you freeze them as follows:

- in the top frozen food container
- On left

Automatic super freezing automatically switches on when warm food items are placed inside the freezer.

Manual super freezing

Fig. 2

- Preferably freeze larger quantities of food in the bottom compartment. Here, it freezes particularly quickly and therefore also gently.
- Several hours before placing fresh food in the freezer compartment, switch on super freezing to prevent an unwanted temperature rise.
- If the freezing capacity according to the rating plate is to be used, switch on super freezing 24 hours before the fresh products are placed in the freezer compartment.
- Press 2 super button.
- If super freezing has been switched on, the button is lit.

Switching off super freezing

Fig. 2

Press 2 super button.

Super freezing is now switched off.

When super freezing has finished, the appliance automatically switches to normal mode.

- With automatic super freezing: As soon as the smaller amounts of food to be frozen have frozen solid.
- With manual super freezing: After approx. 2½ days.

Thawing frozen food

Depending on the type and application, select one of the following options:

- at room temperature
- in the refrigerator

- in an electric oven, with/without fan assisted hot-air
- in the microwave m

Caution: Do not refreeze thawing or thawed food. Only ready meals (boiled or fried) may be refrozen. No longer store the frozen produce for the max. storage period.

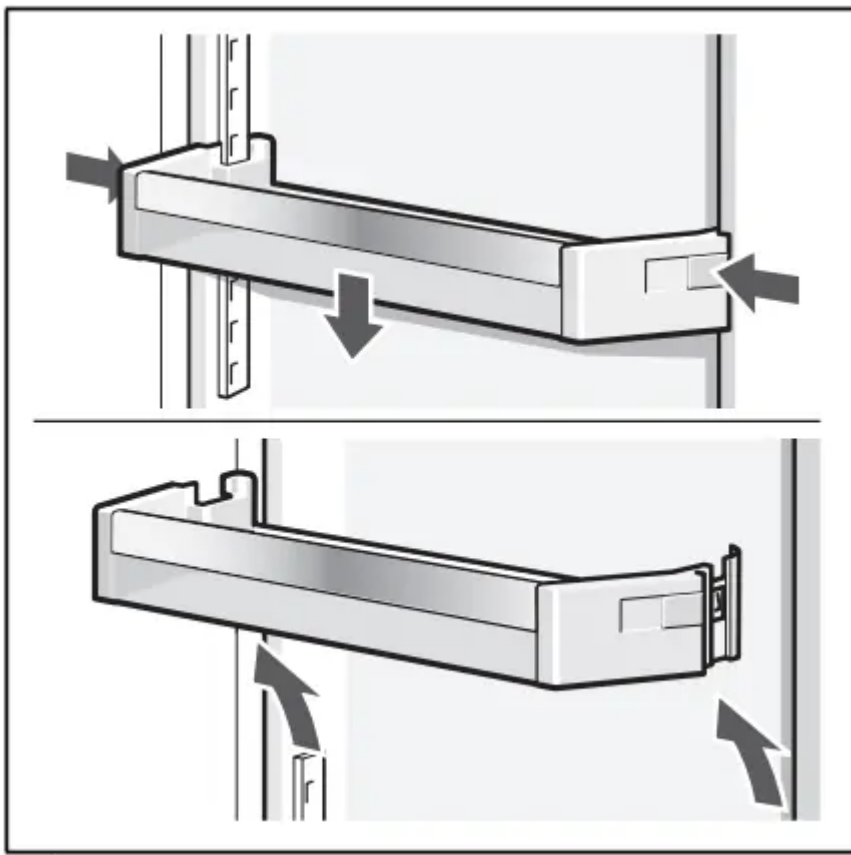
Interior fittings

Butter and cheese compartment

- To open the butter compartment, gently press in the middle of the butter compartment flap.
- To clean the compartment, lift it at the bottom and take out.

Adjustable “EasyLift” door shelf

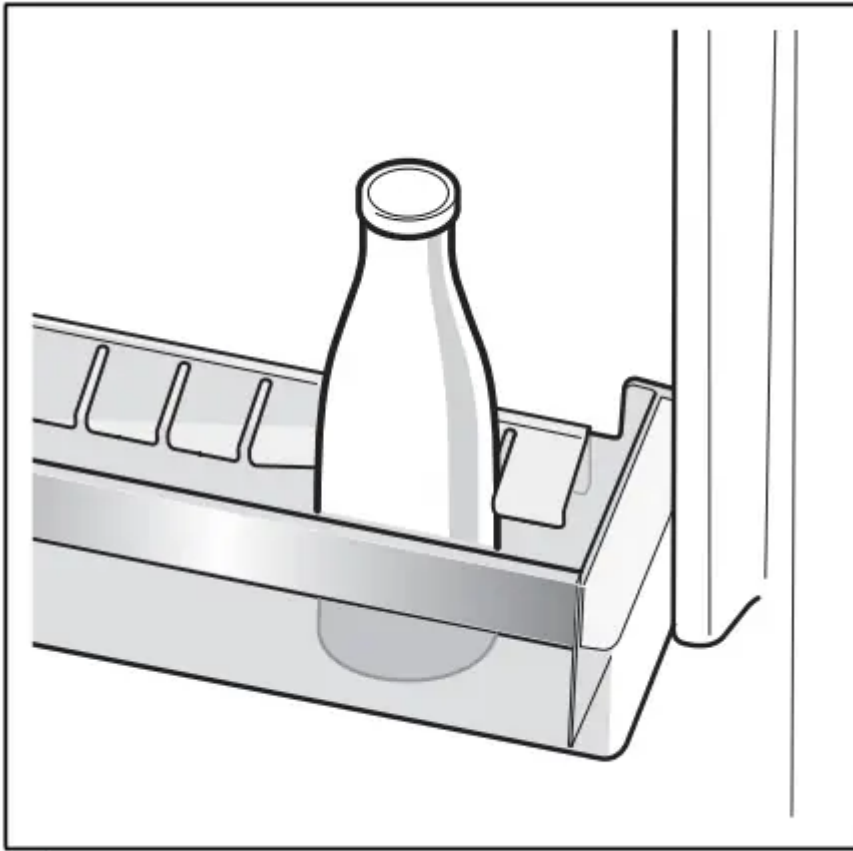
Fig. 5



- The height of the shelf can be adjusted without taking it out.
- Simultaneously press side buttons on the shelf to move the shelf downwards. It can be moved upwards without pressing the buttons.

Bottle holder

Fig. 7

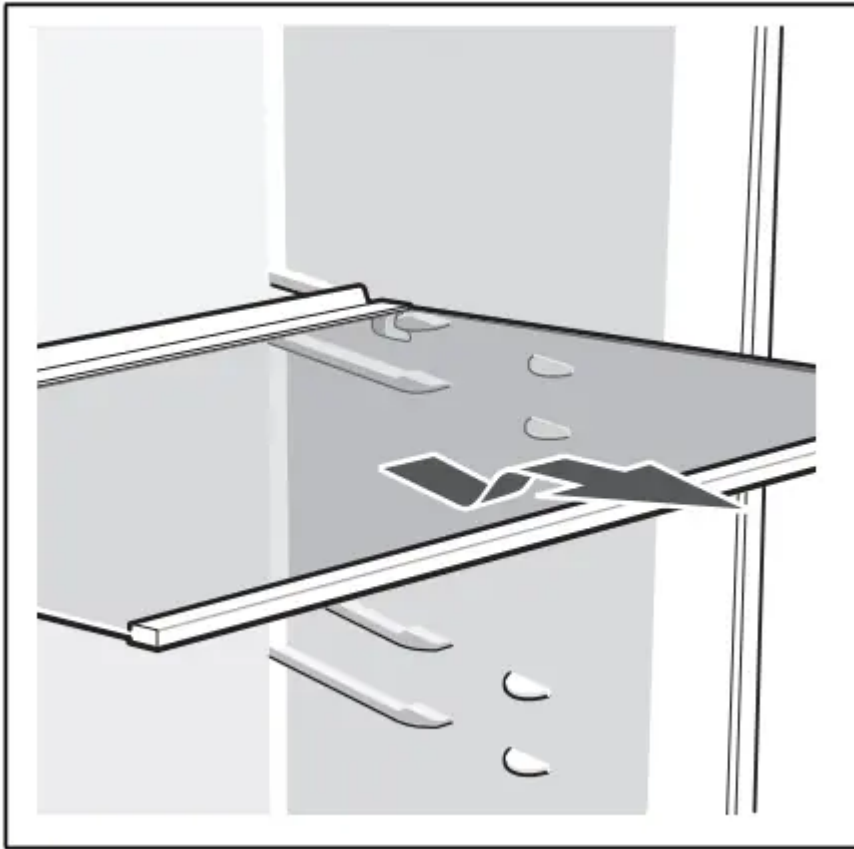


7

- The bottle holder prevents bottles from falling over when the door is opened and closed.

Glass shelves

Fig. 8

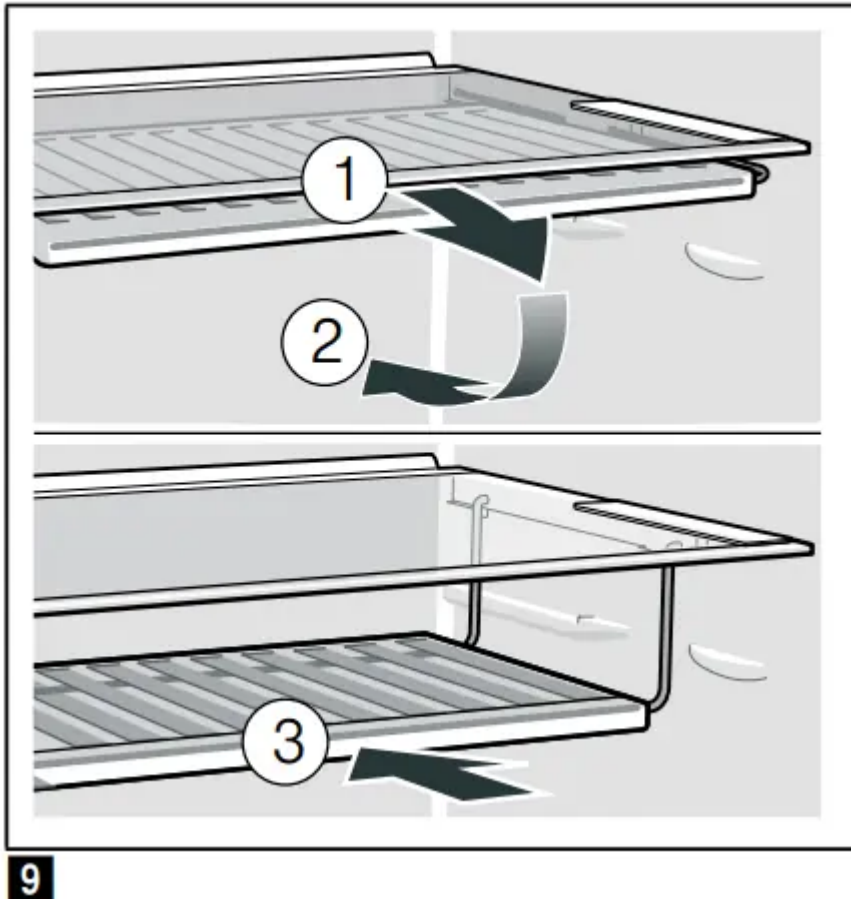


8

- If required, you can vary the shelves inside the appliance: To do this, pull out shelf, lift at the front and take out.

Variable shelf

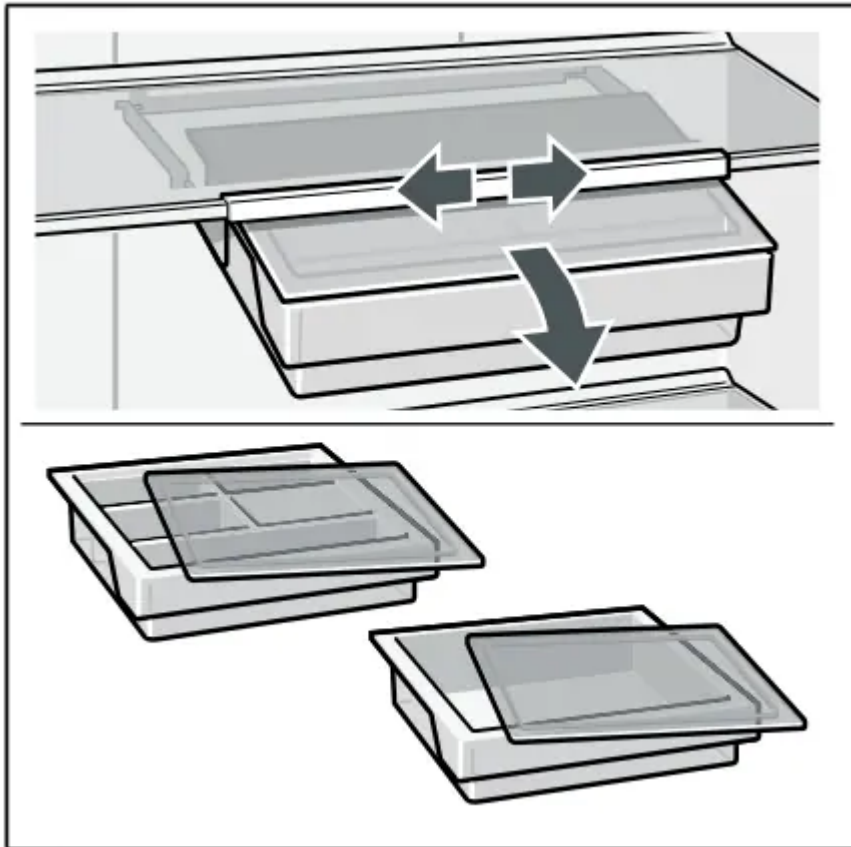
Fig. 9



- The shelf can be folded down if required: Pull shelf forwards, lower and press backwards.
- The shelf is suitable for storing food and bottles.

Breakfast set

Fig. 10

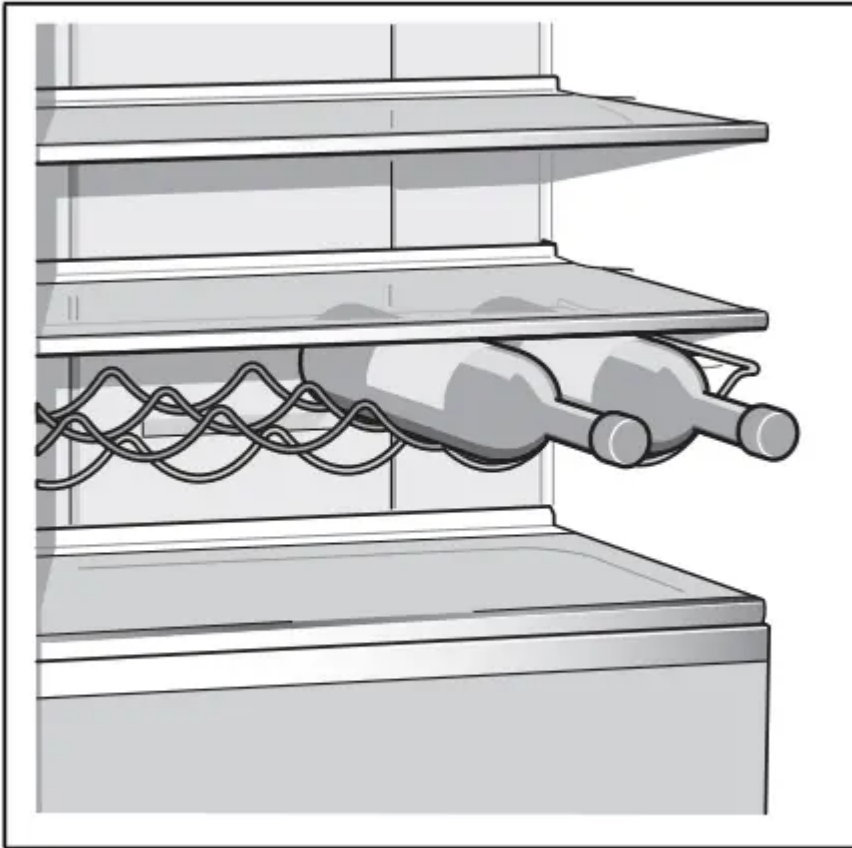


10

- The containers for the breakfast set can be taken out and filled individually.
- You can take out the breakfast set for loading and unloading. To do this, lift the breakfast set and pull out. The container holder can be moved.

Bottle shelf

Fig. 11



11

- Bottles can be stored securely on the bottle shelf. The holder can be adjusted.

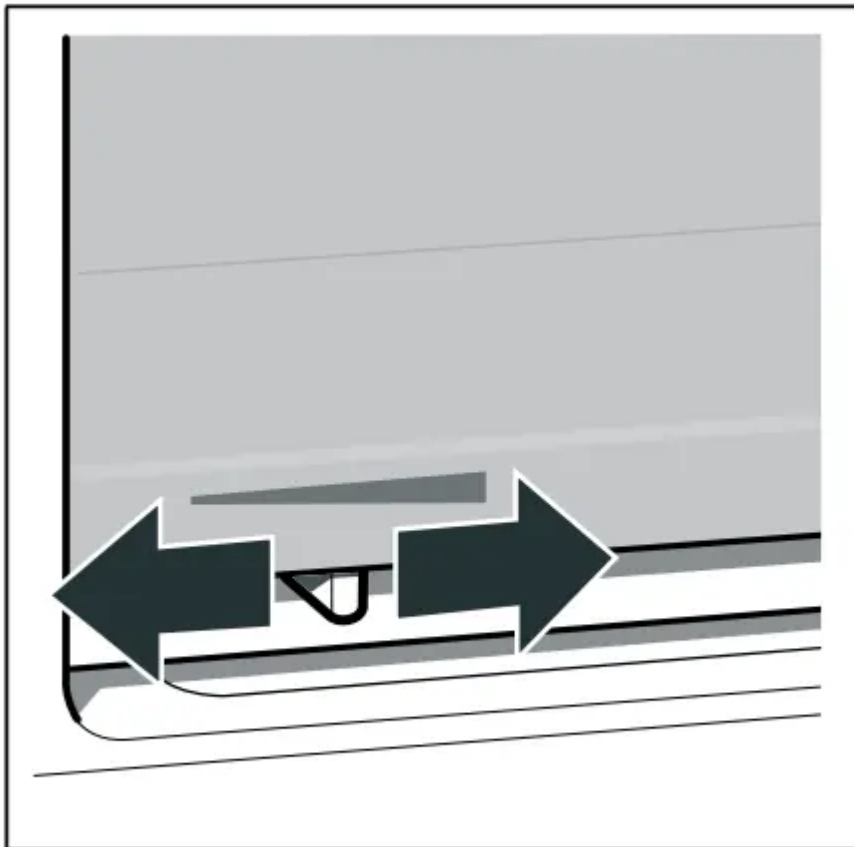
Cold storage compartment

Fig. 1/13

- The cold storage compartment has lower temperatures than the refrigerator compartment. Even temperatures below 0 °C may occur.
- Ideal for storing fish, meat and sausage. Not suitable for lettuce and vegetables and produce sensitive to cold.

Vegetable container with humidity controller

Fig. 13



13

To create the optimum storage climate for fruit and vegetables, you can set the air humidity in the vegetable container depending on the quantity stored:

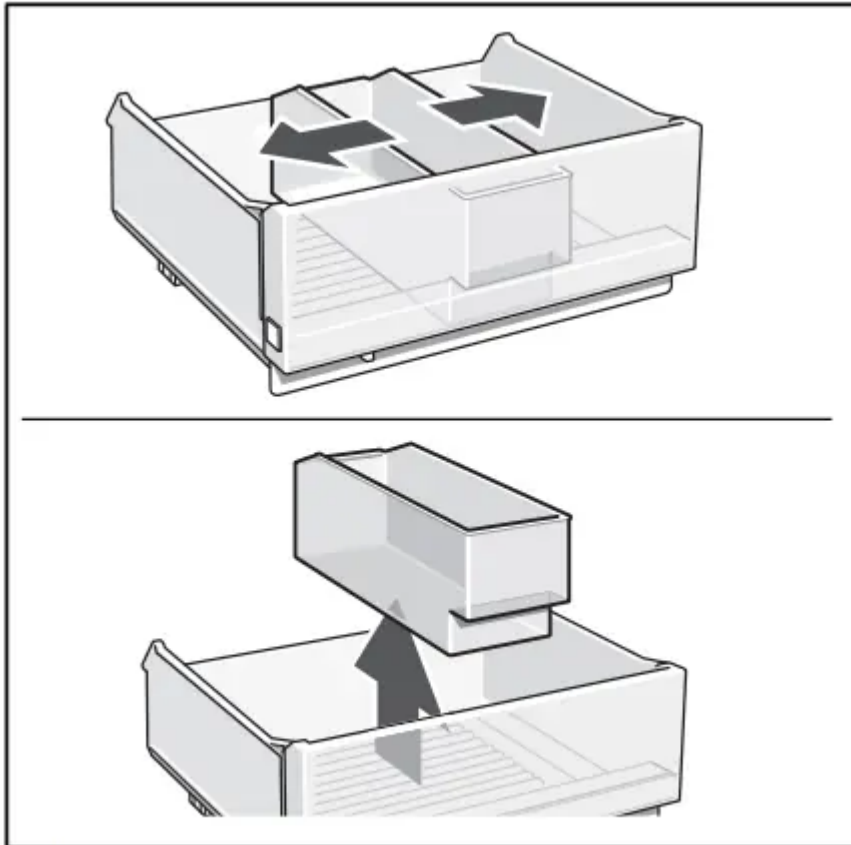
- smaller quantities of fruit and vegetables – high air humidity
- large quantities of fruit and vegetables – low air humidity

Notes

- Fruit sensitive to cold (e.g. pineapple, banana, papaya and citrus fruit) and vegetables sensitive to cold (e.g. aubergines, cucumbers, zucchini, peppers, tomatoes and potatoes) should be stored outside the refrigerator at temperatures of approx. +8 °C to +12 °C for optimum preservation of quality and flavour.
- Condensation may form in the vegetable container depending on the type and quantity of products stored. Remove condensation with a dry cloth and adjust air humidity in the vegetable container with the humidity controller.

Vegetable container insert

Fig. 14



14

- The insert can be taken out.

Frozen food container (large)

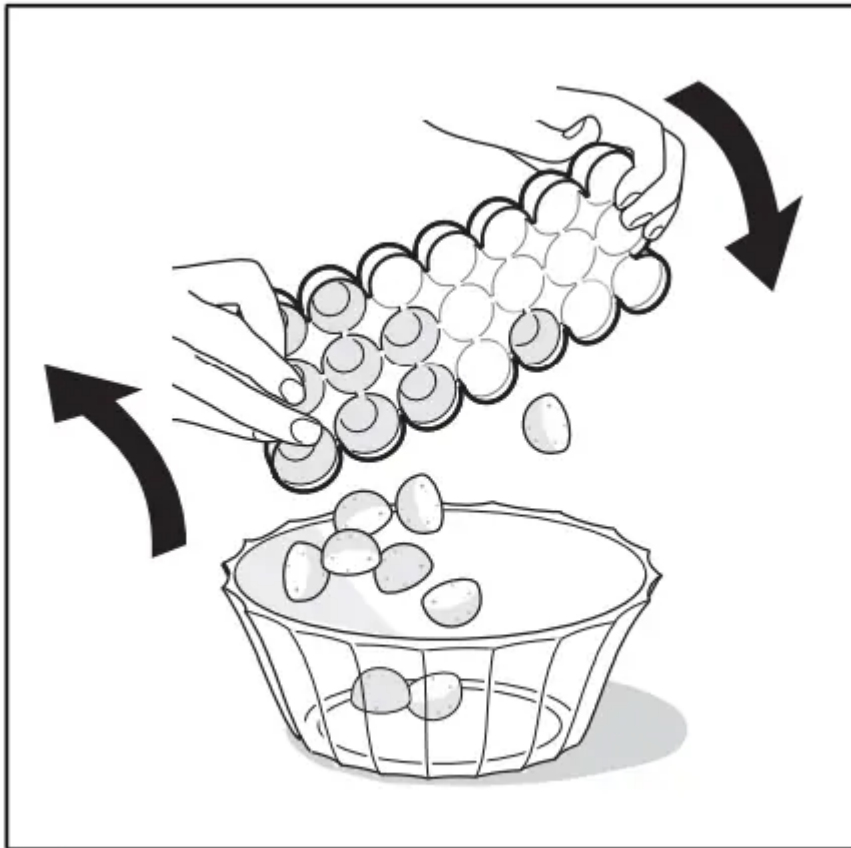
Fig. 1/20

- For the storage of large frozen items, e.g. turkey, duck and goose.

Note: Partition (if available) cannot be taken out.

Ice cube tray

Fig. 18



18

1. Fill the ice cube tray $\frac{3}{4}$ full of drinking water and place in the freezer compartment.
2. If the ice tray is stuck to the freezer compartment, loosen with a blunt implement only (spoon-handle).
3. To loosen the ice cubes, twist the ice tray slightly or hold briefly under flowing water

Ice pack

- The ice pack can be removed to cool food temporarily, e.g. in a cold bag.
- If a power failure or malfunction occurs, the ice pack can be used to slow down the thawing process.

Sticker “OK”

(not all models)

- The sticker “OK” lets you check whether the refrigerator compartment achieves the safe temperature ranges of $+4\text{ }^{\circ}\text{C}$ or colder recommended for food. If the sticker does not indicate “OK”, gradually reduce the temperature.

Note: When the appliance is switched on, it may take up to 12 hours until the set temperature is reached.



Correct setting

Switching off and disconnecting the appliance

Turn off appliance

Fig. 2

- Press the On/Off button 1. Temperature display 8 goes out, refrigeration unit switches off.

Disconnecting the appliance

If you do not use the appliance for a prolonged period:

1. Switch off the appliance.
2. Pull out mains plug or switch off fuse.
3. Clean the appliance.
4. Leave the appliance door open.

Defrosting

Refrigerator compartment Defrosting is actuated automatically. The condensation flows into the evaporation area of the appliance via the condensation channels and the drainage hole.

Freezer compartment

The freezer compartment does not defrost automatically, otherwise the frozen food would start thawing. A layer of frost in the freezer compartment impairs refrigeration of the frozen food and increases power consumption. Remove the layer of hoarfrost regularly.

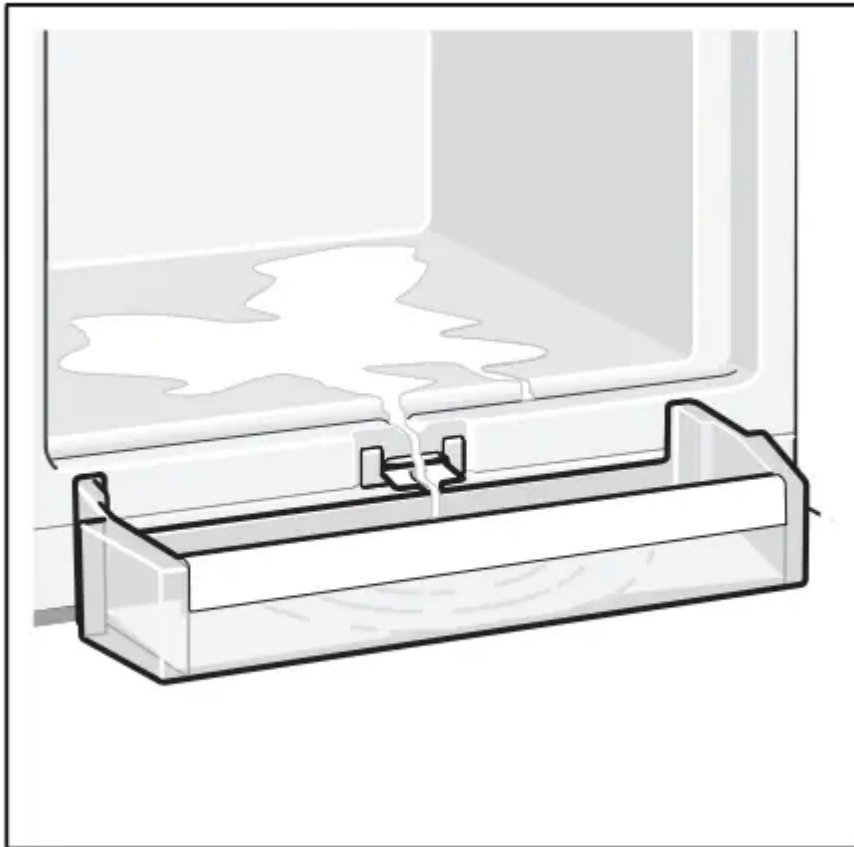
Caution: Do not scrape off hoarfrost or ice with a knife or pointed object. You could damage the refrigerant tubes. Leaking refrigerant may ignite or cause eye injuries.

Proceed as follows:

Note: Approx. 4 hours before defrosting the appliance, switch on super freezing so that the food drops to a very low temperature and can therefore be stored at room temperature for a longer period.

1. Switch off appliance to defrost it.
2. Pull out mains plug or switch off fuse.
3. Place the freezer drawers containing the food in a cool location. Place the ice pack (if enclosed) on the food.

4. Open condensation outlet. Fig. 19



19

5. The shelf for large bottles can be used to collect the condensation. To do this, take out the shelf for large bottles (see chapter entitled Cleaning the appliance) and place under the open condensation outlet.

6. To accelerate the defrosting process, place two pans of hot water on a trivet in the appliance.

7. When the freezer compartment has defrosted, pour the water out of the freezer drawer. Wipe any remaining water off the bottom of the freezer compartment with a sponge.

8. Close condensation outlet.

9. Re-insert shelf for large bottles into the door. 10. When defrosting is complete, connect and switch on the appliance again.

Cleaning the appliance

Caution

- Do not use abrasive, chloride or acidic cleaning agents or solvents.
- Do not use scouring or abrasive sponges. The metallic surfaces could corrode.

- Never clean shelves and containers in the dishwasher. The parts may become deformed!

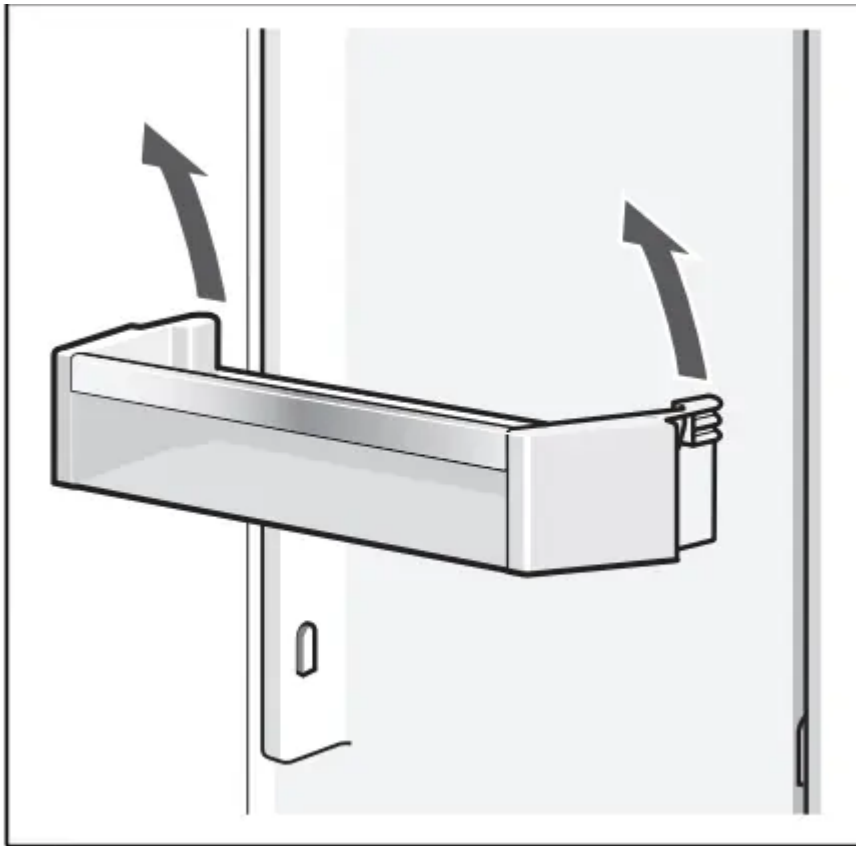
Proceed as follows:

1. Before cleaning: Switch off the appliance.
2. Pull out mains plug or switch off fuse.
3. Take out the frozen food and store in a cool location. Place the ice pack (if enclosed) on the food.
4. Wait until the layer of frost has thawed.
5. Clean the appliance with a soft cloth, lukewarm water and a little pH neutral washing-up liquid. The rinsing water must not run into the light.
6. Wipe the door seal with clear water only and then wipe dry thoroughly.
7. After cleaning reconnect and switch the appliance back on.
8. Put the frozen food back into the appliance.

Interior fittings

- All variable parts of the appliance can be taken out for cleaning.

Take out shelves in the door Fig. 6



6

- Lift shelves upwards and take out.

Take out glass shelves Fig. 8



8

- Lift the glass shelves, pull forwards, lower and swivel out to the side.

Taking out pull-out container

- Lift the container and pull out.

Condensation outlet fascia

To clean the condensation outlet channel, the glass shelf above the vegetable container, Fig. 1/14, must be separated from the condensation outlet fascia:

1. Take out the glass shelf.
2. Lift condensation outlet fascia and take out. Fig. 12

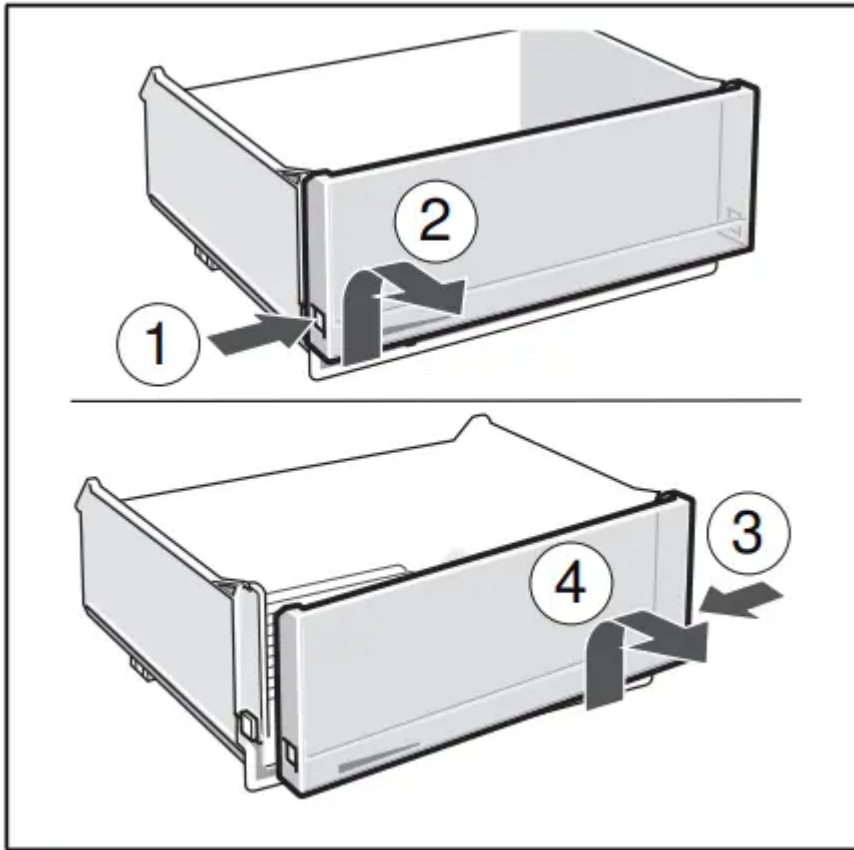


12

Note: Regularly clean the condensation channel and drainage hole with a cotton bud or similar implement to ensure that the condensation can drain.

Vegetable container

Fig. 15

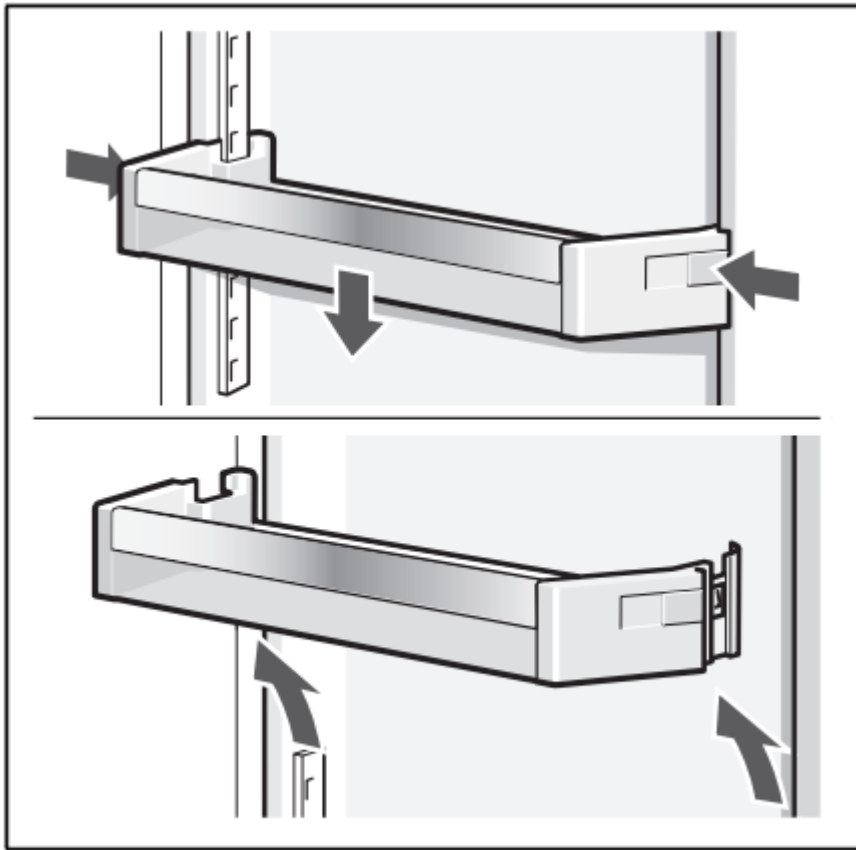


15

- The fascia of the vegetable container can be removed for cleaning.
- Press side buttons in succession and remove fascia from the vegetable container.

Removing the container

Fig. 5



5

- Pull out the container all the way, lift at the front and remove.

Odours

If you experience unpleasant odours:

1. Switch off the appliance with the On/ Off button. Fig. 2/1
2. Take all food out of the appliance.
3. Clean interior (see chapter “Cleaning the appliance”).
4. Clean all packages.
5. Seal strong smelling food in order to avoid odours from forming.
6. Switch the appliance on again.
7. Store food in the appliance.
8. Check whether the formation of odours is still occurring after 24 hours.

Light (LED)

- Your appliance features a maintenancefree LED light.
- These lights may be repaired by customer service or authorised technicians only

Tips for saving energy

- Install the appliance in a dry, well ventilated room! The appliance should not be installed in direct sunlight or near a heat source (e.g. radiator, cooker). If required, use an insulating plate.
- Allow warm food and drinks to cool down before placing in the appliance.
- Thaw frozen food in the refrigerator compartment and use the low temperature of the frozen food to cool refrigerated food.
- Regularly defrost the freezer compartment to remove the layer of frost. A layer of hoarfrost will impair refrigeration of the frozen food and increase power consumption.
- Open the appliance as briefly as possible.
- To avoid increased power consumption, occasionally clean the back of the appliance.
- If available: Fit wall spacers to obtain the indicated energy rating of the appliance (see Installation instructions). A reduced wall gap will not restrict the function of the appliance. The energy rating may then increase slightly. The gap of 75 mm must not be exceeded.
- The arrangement of the fittings does not affect the energy rating of the appliance.

Operating noises

Quite normal noises

Note: When super freezing is switched on, increased operating noises may occur.

- Droning: Motors are running (e.g. refrigerating units, fan).
- Bubbling, humming or gurgling noises: Refrigerant is flowing through the tubing.
- Clicking: Motor, switches or solenoid valves are switching on/off.

Preventing noises

- The appliance is not level: Please align the appliance with a spirit level. Use the height-adjustable feet or place packing underneath them.
- The appliance is not free-standing: Please move the appliance away from adjacent units or appliances.
- Containers or storage areas wobble or stick: Please check the removable parts and re-insert them correctly if required.
- Bottles or receptacles are touching each other: Move the bottles or receptacles slightly away from each other.

Troubleshooting

Eliminating minor faults yourself

Before you call customer service: Please check whether you can eliminate the fault yourself based on the following information. Customer service will charge you for advice – even if the appliance is still under guarantee!

Fault	Possible cause	Remedial action
Temperature differs greatly from the set value.		<p>In some cases it is adequate to switch off the appliance for 5 minutes.</p> <p>If the temperature is too high wait a few hours and check whether the temperature has approached the set value.</p> <p>If the temperature is too low check the temperature again the next day.</p>
Displays do not illuminate.	Power failure; the fuse has been switched off; the mains plug has not been inserted properly.	Connect mains plug. Check whether the power is on, check the fuses.
Temperature display indicates "E..".	Electronics have detected a fault.	Call customer service.
Warning signal sounds, alarm button lights up. Fig.2/5		To switch off the warning signal, press 5 alarm button.
The freezer compartment is too warm! Frozen food is at risk!	Appliance is open.	Close the appliance.
	Ventilation openings are covered up.	Ensure that there is adequate ventilation.
Freezer compartment temperature display flashes, Fig.2/4		To switch off the warning signal, press alarm button Fig. 2/5.
Warning signal sounds	Appliance is open.	Close the appliance.
The alarm button is lit. Fig.2/5	Ventilation openings are covered up.	Ensure that there is adequate ventilation.
The freezer compartment is too warm! Frozen food is at risk!	Too much food was placed in the freezer at once.	Do not exceed the freezing capacity.

When the fault has been eliminated, the alarm display goes out shortly afterwards.

Freezer compartment temperature display flashes. Fig.2/4

A fault caused the freezer compartment to become too warm in the past.

When the alarm button 5 is pressed, the temperature display stops flashing. Fig. 2/4

The temperature display indicates for 5 seconds the warmest temperature which was reached in the freezer compartment.

Appliance is not cooling, temperature display and light are lit.

Showroom mode is switched on.

Hold down alarm button, Fig 2/5, for 10 seconds until an acknowledgement signal sounds.

After a short time check whether your appliance is cooling.

Automatic super freezing does not switch on.

The appliance decides independently whether automatic Super freezing is required and automatically switches it on or off.

Warning

This content is compiled from multiple sources and is provided for reference purposes only. It may not be complete or fully applicable to all situations. If you are unable to resolve your issue, please contact the product manufacturer or an authorized service provider for official support.