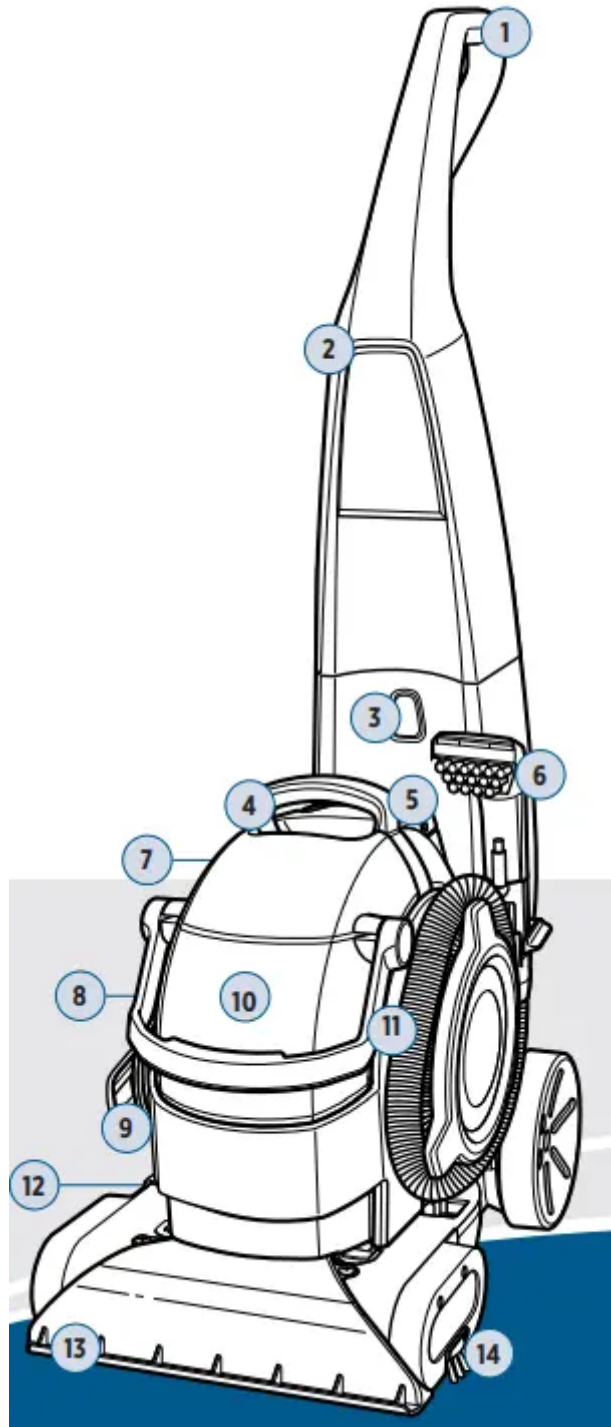


Product Overview



1. Spray Trigger
2. Upper Handle
3. Upright Cleaning Mode Indicator Light

4. Carry Handle
5. Clean Water Tank
6. Specialty Tools (vary by model)
7. Power Button
8. Quick Release™ Cord Wrap
9. Power Cord
10. Dirty Water Tank
11. Flex Hose
12. Portable Spot & Stain Cleaner Release Pedal
13. Removable Nozzle Assembly
14. EdgeSweep® Brushes






What's in the Box?

					
Handle	Base	4 Screws	3" Tough Stain Tool	Spraying Crevice Tool	2 Trial-Size Formulas

Assembly

	1. Slide the Upper Handle onto the body of the machine by guiding the 2 posts on the body into the opening on the Upper Handle.
	2. Firmly holding the Upper Handle in place, screw 2 screws into the marked holes at an upward angle. Screw the remaining screws into the outermost holes under the support handle.
	3. Wrap Power Cord around Release™ Cord Wrap.
	4. Wrap Flex Hose around the hose wrap and secure with latch.
	5. Align the portable spot & stain cleaner and push down firmly until it's secured. Plug the machine in and turn ON to make sure the Upright Cleaning Mode Indicator Light illuminates. If it does not, remove and reseal the portable cleaner so it's secure.
	6. Snap attachment(s) into the back of machine. Note: Portable spot & stain cleaner must be fully secure to operate in upright cleaning mode.

Cleaning Formulas

				
Clean + Refresh Powerful cleaning and odor elimination with Febreze freshness	PET Stain & Odor Removes tough pet stains Includes StainProtect™ to protect against future stains	PRO MAX Clean + Protect Our most powerful formula for tough, ground-in dirt & stains Includes StainProtect to protect against future stains	PET PRO OXY Urine Eliminator Our best formula for pet urine stains & odors Includes StainProtect to protect against future stains	Pet Stain & Odor + Antibacterial Cleans and controls odor causing bacteria



Pretreat

PET Stain Pretreat Removes tough pet stains & odors with Enzyme Action	
PET PRO OXY Stain Destroyer Removes tough pet stains & odors with	
OXY PET Pretreat + Sanitize Penetrates to sanitize and loosen tough stains	

Boost

OXY Boost Removes old, set-in stains	
PRO MAX Boost Add to formula for 2X deep cleaning power	
PET OXY Boost Removes pet stains and odors	

Filling the Clean Water Tank

1. Remove tank from the base of the machine.
2. Unscrew the black cap and remove bottle insert.
3. Fill tank with warm (60°C/140°F MAX) tap water to the water fill line. Do not boil or microwave water as it can destroy the tank.
4. Add 2 ounces of BISSELL® formula to the tank.
5. Replace the cap and return the tank to the machine.



Cleaning Your Carpet

1. Plug into a proper outlet and press the Power Button.
2. Press the gray recline pedal, on the back of the machine in between the wheels.
3. Press the Spray Trigger and make one slow forward wet pass and another back. Do not overwet.
4. Release the Spray Trigger and make one slow forward and backward pass over the same area.
5. Repeat passes until solution being suctioned up appears clean. Continue passes without pressing the Spray Trigger until you can't see any more water being suctioned up. This helps speed up dry time.

Using the Portable Spot & Stain Cleaner

- When cleaning stairs, avoid tripping by placing the portable spot & stain cleaner on same step on which you are standing or seated.
- Work your way down the stairs, moving the portable spot & stain cleaner when required.
- Always be aware of where the machine is plugged into the outlet and avoid entanglement

1. Step on the portable spot & stain cleaner Release Pedal to release the machine.
2. Release Flex Hose by twisting the hose secure latch clockwise. Unwrap hose completely.
3. Attach the desired cleaning tool to the hose grip until it snaps together.
4. Twist the Quick Release™ Cord Wrap clockwise to unwrap the cord completely and plug into grounded outlet.
5. Hold the tool approximately 1 inch above the soiled surface. Press the Spray Trigger to apply the cleaning solution. Do not overwet.
6. Release the Spray Trigger while applying downward pressure on the tool and pull it toward you. The suction will remove the dirt and cleaning solution. Continue until no more dirt can be removed.

Emptying the Dirty Water Tank

1. Remove tank and carry to a utility sink, toilet or outside (where you will dispose of the dirty water).
2. To unlock the tank's lid, rotate handle over the back of the tank.
3. Remove lid and pour out dirty water. Rinse tank to remove debris.
4. Wipe debris from the red filter located behind the Dirty Water Tank.
5. Replace top of tank and rotate the handle forward to lock in place.

Cleaning the Machine

1. Turn the machine OFF and wrap up the Power Cord. Make sure the Dirty & Clean Water Tanks are emptied, rinsed and dried before the next use.	
2. Remove portable spot & stain cleaner from the base of the machine.	
3. Remove the nozzle assembly by unscrewing 3 screws and lifting away the upper and lower nozzle.	
4. Rinse upper and lower nozzles under clean water.	
5. Place lower nozzle back onto the machine by hooking the tabs into the holes on the bottom sides of the front of the machine.	
6. Place upper nozzle onto the lower nozzle by hooking the tabs into the holes on the front of the lower nozzle. Secure with 3 screws.	
7. Clean the spray tips. To remove black spray tip, unlatch tab on front of spray tip from base of machine and pull up and out of green receiver.	
8. Rinse under water to clean.	
9. Replace spray tip by inserting back into red receiver and latching tab into base of machine. Repeat steps for second spray tip.	

Cleaning the Portable Spot & Stain Cleaner

1. Before turning OFF the machine, suction up clean water from a bowl to rinse out the hose. Then, lift the tool and point it upwards to drain remaining water into the tank.
2. Remove and rinse the tools in clean, running water. Dry and replace in the tool storage provided.
3. Wrap up the hose and secure it with the latch.
4. Check suction gate for debris. The suction gate automatically diverts air when the portable spot & stain cleaner is detached.
5. To clean suction gate, remove two screws and pull off suction gate door.
6. Wipe suction gate clean and rinse suction gate door. Once dry, replace suction gate door and two screws.

Storing Your Machine

Clean the machine before storing. Store in a protected dry area. To reduce the risk of a leaking condition, do not store machine where freezing may occur. Damage to internal components may result.

Troubleshooting

Upright Cleaning Mode Indicator Light does not illuminate

- The power is not turned ON.
 - The power must be ON to activate the indicator light. The portable spot & stain cleaner is not attached completely.
- Make sure the portable spot & stain cleaner is attached. Push down firmly to check.
 - Reduced/no spray
- Clean Water Tank may be empty.
 - Refill tank.
- Clean Water Tank may not be seated completely.
 - Turn power OFF. Remove and reseal tank.
- Pump may have lost prime in portable spot cleaning mode.
 - Hold end of hose below water level in tank to prime.

- The portable spot & stain cleaner is not attached completely.
 - Push down firmly to check connection.

DirtLifter® PowerBrush does not turn

- The portable spot & stain cleaner is not attached completely.
 - Make sure the portable spot & stain cleaner is attached. Push down firmly to check.
- The machine is in the upright position.
 - Brushes only rotate when machine is reclined using the recline pedal.
- Circuit breaker on machine (if equipped) may have tripped.
 - Turn the machine OFF and unplug from outlet. Check to see if foreign object is caught in Brush Roll. Remove object. Plug machine in to reset circuit breaker.
- The belt is off or broken.
 - Turn power OFF and unplug machine from outlet. Visit support.BISSELL.com for instructions on replacing the belt.

Loss of suction power

- Tanks may not be seated properly.
 - Pick up both tanks and reseal them so they fit snugly on the machine.
- Nozzles may not be assembled properly.
 - Unplug the machine. Check to make sure the “lip” of the nozzle is securely hooked into the groove on bottom of the machine (see page 9).
- The portable spot & stain cleaner is not attached completely.
 - Make sure the portable spot & stain cleaner is attached. Push down firmly to check.
- Dirty Water Tank has picked up maximum amount of dirty water and has reached full line.
 - Empty Dirty Water Tank.
- Clean Water Tank is empty.
 - Check fluid levels in tank.
- Suction gate is open.
 - Check to make sure the suction gate is closed. Follow instructions on page 10.

Warning

This content is compiled from multiple sources and is provided for reference purposes only. It may not be complete or fully applicable to all situations. If you are unable to resolve your issue, please contact the product manufacturer or an authorized service provider for official support.

Document generated by [ManualsFile](#)

