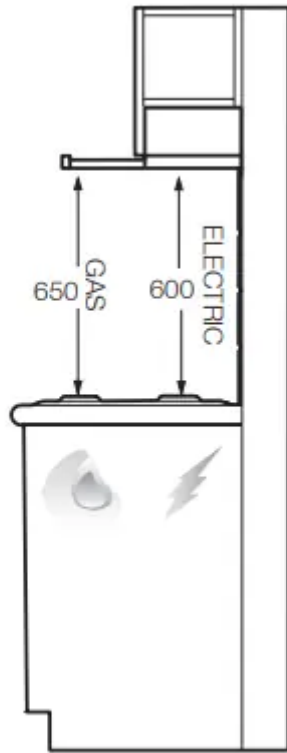


INSTALLATION

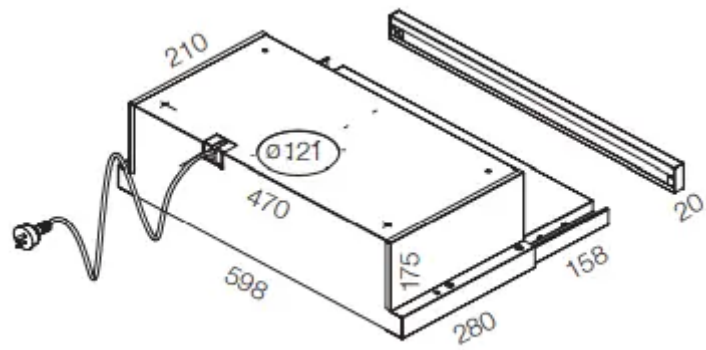
Standard ducting installation

- It is recommended that the unit be positioned at a minimum of 600mm for an electric cooktop and 650mm for a gas cooktop, and no further from the cooktop than 800mm. Then unit becomes less effective as the distance from the cooking surface to the rangehood increase.



Fixing point dimensions – 600mm

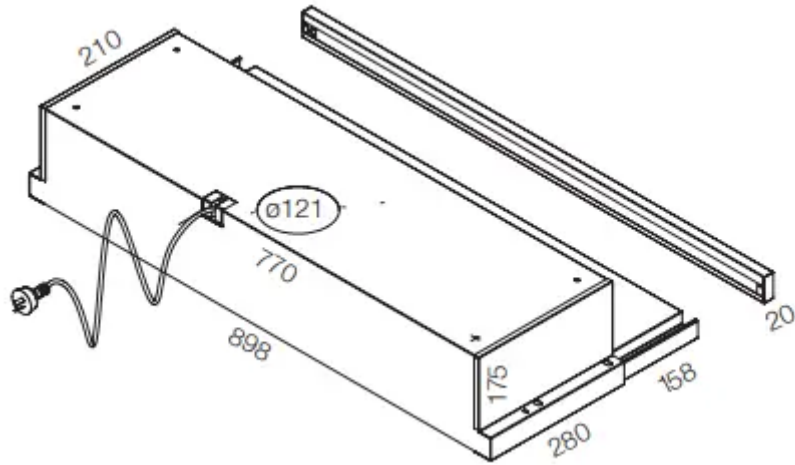
Minimum cabinet opening, 600mm



Fixing point dimensions – 900mm

Minimum cabinet opening, 900mm

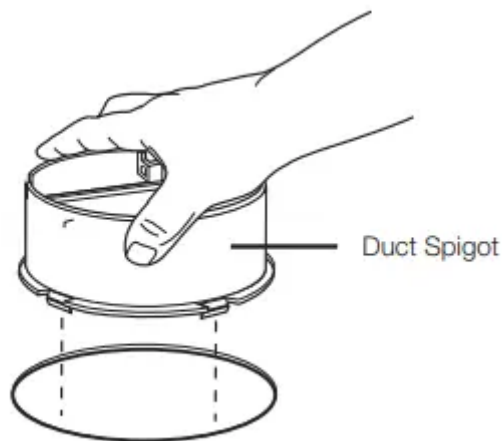




WARNING! Failure to install the screws or fixing device in accordance with these instructions may result in electrical hazards.

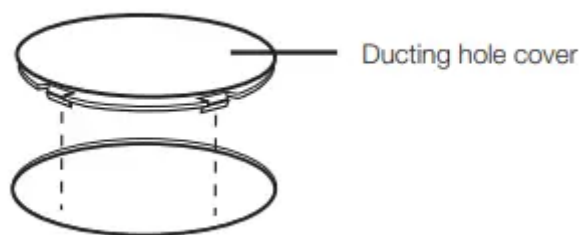
Ducting installation

- When installing with ducting pipe the Duct spigot must be fitted to the ducting hole on top of the body of the rangehood.



Recirculating installation

- (For Models: WRH608I* WRR614*A & WRH908I*) When installed in recirculating mode the ducting hole cover must be fitted.



Parts supplied with hood

- 1 × Duct Spigot
- 1 × Ducting hole cover (only for WRH608I* WRR614*A and WRH908I*)
- 4 × M6 × 40 screws
- 4 × Ø6 washers
- 2 × Carbon filters (only for WRR614*A)

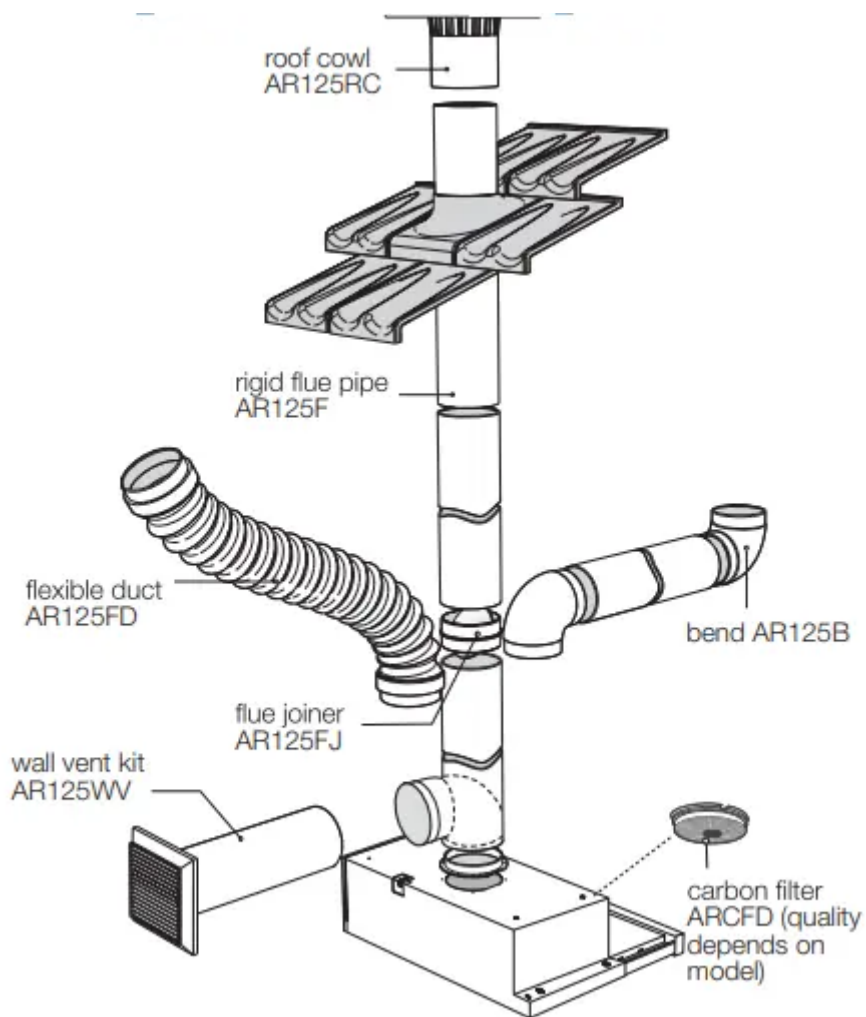
Parts to be purchased

- Aluminium tape or cable ties to secure flue pipe
- Custom drawer fascia (if required)
- Ducting accessories

**Ducting accessories - REHR6* WR H605I* WR H608I* WRR614*A WRH908I*
WRR604*B WRR904*B WRR614*B WRR914*B**

For best performance Ø 125mm ducting is recommended

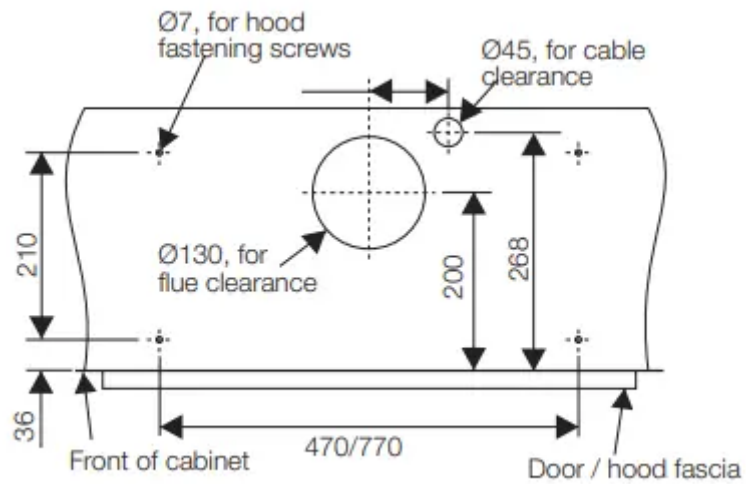




- Accessories can be bought from your local appliance retailer, or in Australia at our online spare parts and accessories store: shop.electrolux.com.au

Drilling holes

- Drill the holes on top wooden support.
 - drill $\varnothing 7$ hole
 - drill $\varnothing 45$ hole
 - cut $\varnothing 130$ hole



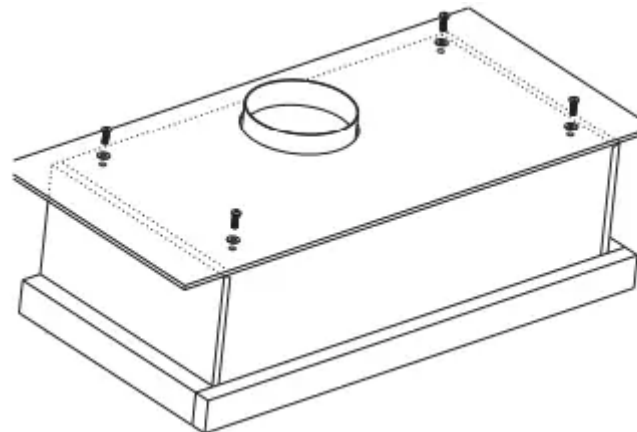
Fixing duct spigot

- Snap in duct spigot to the rangehood



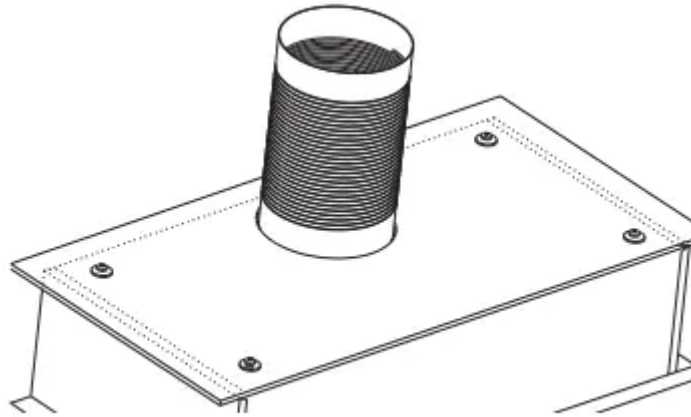
Fixing the rangehood

- Use 4 x M6x40 screws and washers supplied to fasten the cooker the wood support from upper side.



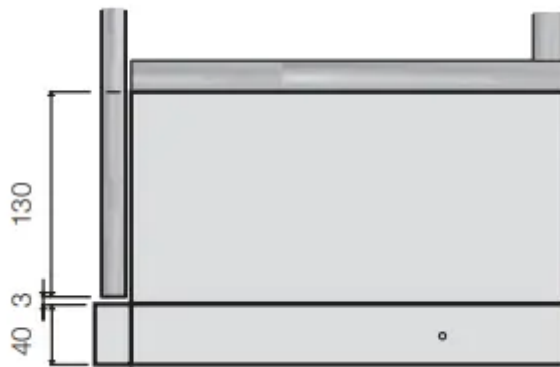
Fixing flue pipe

- Fix a 125mm diameter noncombustible rigid flue pipe. Fix flue pipe to the exhaust transition duct. Use cable ties or aluminium tape to secure flue pipe to the duct spigot. If using a flexible duct, install with the wire helix pulled taut to minimise pressure loss and noise.



Installation using the supplied drawer fascia – REHR6* WRH605I* WRH608I* WRH908I* WRR 604*B WRR904*B

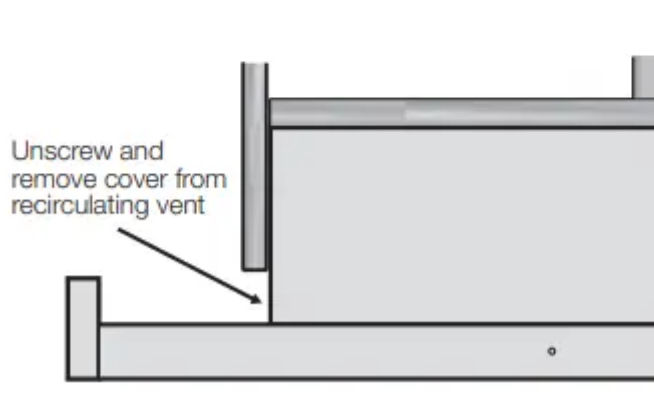
- Standard ducted installation calls for a door extension of 130mm whether the client opts to use the supplied draw fascia or a custom fascia of the same dimensions as that supplied.



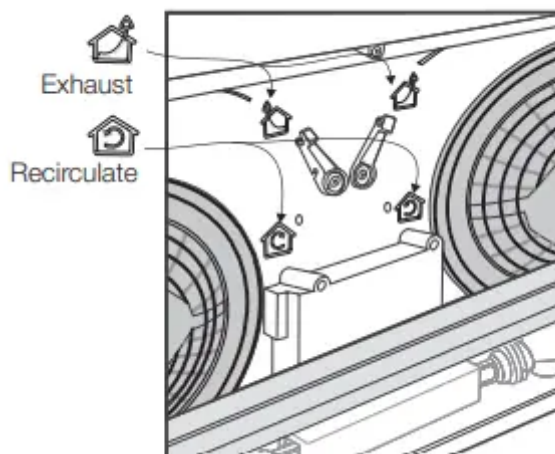
Recirculating vent installation – WRH608I* WRH908I* WRR614*B WRR914*B (WRR614*A already fitted with 70mm front panel)

- Note: If the rangehood is to be vented using the recirculating vent rather than standard ducting, the supplied drawer fascia is not to be used and must be replaced with a client specific custom fascia.

- The custom drawer fascia must be a minimum of 70mm deep as air expelled through the recirculating vent must be deflected upwards.

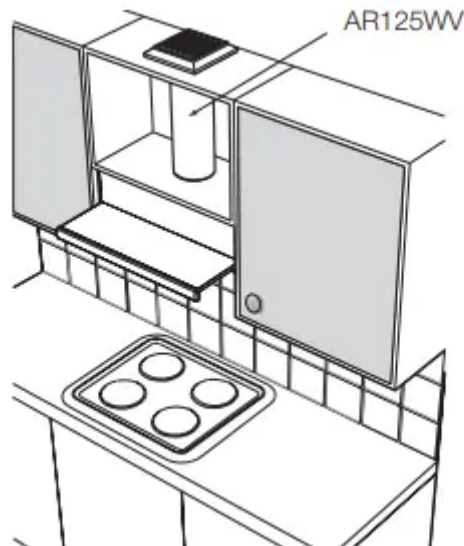


- Setting of circulation air doors



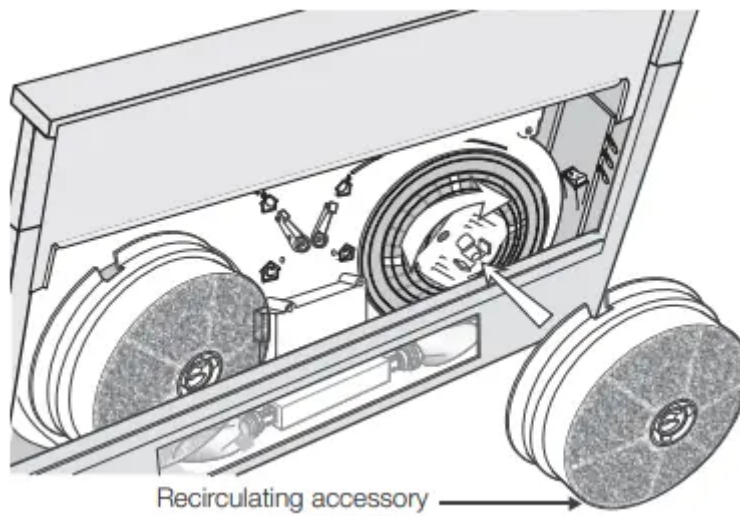
Ducted recirculating installation – REHR6* WRH605I* WRH608I* WRH908I* WRR604*B WRR904*B WRR614*B WRR914*B

- If ducted recirculating installation is used, carbon filters are recommended.



All models optional carbon filter

- An optional carbon filter will diminish cooking odours in the recirculated air. Depending on the frequency of use and the type of cooking, the expected life of carbon filters from 1 to 6 months. Replacement is required. It is recommended to use carbon filters for recirculating installation.



- Optional carbon filter ARCFD for recirculating mode only. Using carbon filters will reduce the airflow of the rangehood.

OPERATION

IMPORTANT! The Edison Screw lamps may have come loose during transportation. Ensure that lamps are tightened firmly into the socket before power is applied.

REHR6*

- The operation of the light and the two-speed fan are controlled by the drawer action. (see diagram)

WRH605I* WRH608I* WRR614*A WRH908I* WRR604*B WRR904*B WRR614*B WRR914*B

- The operation of the lights and the three speed fans are controlled by the drawer action. (see diagram)

To replace the light globes

1. Open drawer and remove filter.
2. Turn mains switch off before removing lamp.

Replace with 28W maximum E14 halogen candle lamp. Depending on model will require 1 or 2 globes. The lamp assembly includes a silicone seal, this must be replaced when a new lamp is used. The silicone seal is placed over the lamp thread and then the lamp is screwed into the holder. Ensure replacement lamp is tightened firmly.

Replacement lamps from Electrolux Parts Centres are supplied with silicone seals.

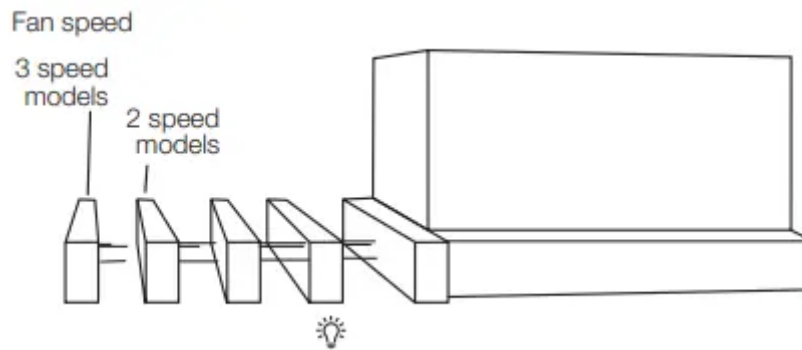
Maintenance

- To maintain efficiency and reduce fire risk, filters should be removed every four weeks (maximum) for cleaning. Soak and agitate filters in hot soapy water or washing soda. Rinse, drain, shake well and replace.
- Do not use caustic solutions or other corrosive agents.
- The filters can be washed in the dishwasher, recommended the filters be placed on the top shelf of the dishwasher.
- NOTE: Where fitted, optional carbon filters are intended to be a disposable item and should be discarded when saturated. Washing the carbon filter is not recommended.

Remove filters for cleaning

1. Slide filter tray forward 1cm.
2. Push in clip on either side to release filter. Fig 1.
3. Pull filter downwards to remove. Repeat 2 & 3 for models with a second filter. Fig 2.
4. Turn off mains switch before cleaning drawer and rangehood body.
5. After cleaning, re-fit filters making sure the clip pins are securely fitted into the locating holes in the rangehood body and for twin filter versions, also located in the pull out drawer section.
6. Holding clip in, push opposite side of filter up until pins are over locating holes.
7. Release clip ensuring filter is securely fitted.

Safety Tips: Use of two hands for removal and re-fitting of filters is recommended to avoid accidental dropping of filters which could cause damage to your cooktop or kitchen surfaces.



SAFETY INSTRUCTIONS

Please read the user manual carefully and store in a handy place for later reference. Pass the user manual on to possible new owners of the appliance.

Read the following carefully to avoid damage or injury.

Note: You must read these warnings carefully before installing or using the accessory. If you need assistance, contact your Customer Care Department. The manufacturer will not accept liability, should these instructions or any other safety instructions incorporated in this book be ignored.

ENVIRONMENT! Remove and discard any packaging material before using this accessory. Most of the packaging materials are recyclable. Please dispose of those materials through your local recycling depot or by placing them in the appropriate collection containers.

WARNING!

- This appliance can be used by children aged from 8 years and above and persons with reduced physical, sensory or mental capabilities or lack of experience and knowledge if they have been given supervision or instruction concerning the use of the appliance in a safe way and understand the hazards involved. Children shall not play with the appliance. Cleaning and user maintenance shall not be made by children without supervision.
- Ensure the rangehood is switched off before carrying out maintenance, to avoid any possibility of electric shock.
- Grease filters must be removed every four weeks (maximum) for cleaning to reduce the risk of fire.
- Do not light a flame under the rangehood.
- This rangehood is not recommended for barbecues.
- The exhaust air from the rangehood must not be discharged into any heating flue, which may carry combustion products from other sources.

- Exhaust air must not be discharged into a wall cavity, unless the cavity is designed for the purpose.
- There must be adequate ventilation of the room when the rangehood is used at the same time as appliances burning gas or other fuels.
- Always cover lit gas burners with pots or pans when the rangehood is in use.
- Always switch off gas burners before you remove pots or pans.

CAUTION

- Accessible parts may become hot when used with cooking appliance.
- Regulations concerning the discharge of air have to be fulfilled.
- Failure to install the screws or fixing device in accordance with these instructions may result in electrical hazards.

Cleaning

- Wipe the rangehood body and flue with a sponge or soft cloth soaked in warm soapy water, and dry with a soft cloth, for stainless steel models apply a stainless steel protector. Do not use oven cleaners or other abrasive materials.
- There is a fire risk if cleaning is not carried out in accordance with the instructions.

Electrical Connection

- Check that the mains voltage matches with the voltage on the data plate inside the rangehood.
- Check that the installation complies with standards of local gas and electricity authorities.
- If the supply cord is damaged, it must be replaced by the manufacturer or its service agent or a similarly qualified person in order to avoid a hazard.

Accessories

- Use 125mm round exhaust ducting for best performance.
- When using flexible duct always install duct with the wire helix pulled taut to minimise pressure loss.
- Try to keep exhaust duct short and straight.
- Keep bends in the exhaust duct to a minimum.
- Do not restrict exhaust duct.
- Reducing the size of the exhaust duct will reduce the airflow of the rangehood. Please read instructions carefully. Service calls resulting from incorrect installation will be charged for.

Exhaust air from the rangehood must not be discharged into any heating flue which may carry combustion products from other sources. In addition, exhaust air must not be discharged into a wall cavity, unless the cavity is designed for the purpose. Adequate ventilation of the room must be

ensured when the rangehood is operating simultaneously with appliances burning gas or other fuels. Installation must comply in all respects with your gas and electrical authorities. This rangehood is an indoor domestic appliance, and has been manufactured and tested to comply with Australian and New Zealand Standard AS/NZS 60335.2.31

Warning

This content is compiled from multiple sources and is provided for reference purposes only. It may not be complete or fully applicable to all situations. If you are unable to resolve your issue, please contact the product manufacturer or an authorized service provider for official support.

Document generated by [ManualsFile](#)

