

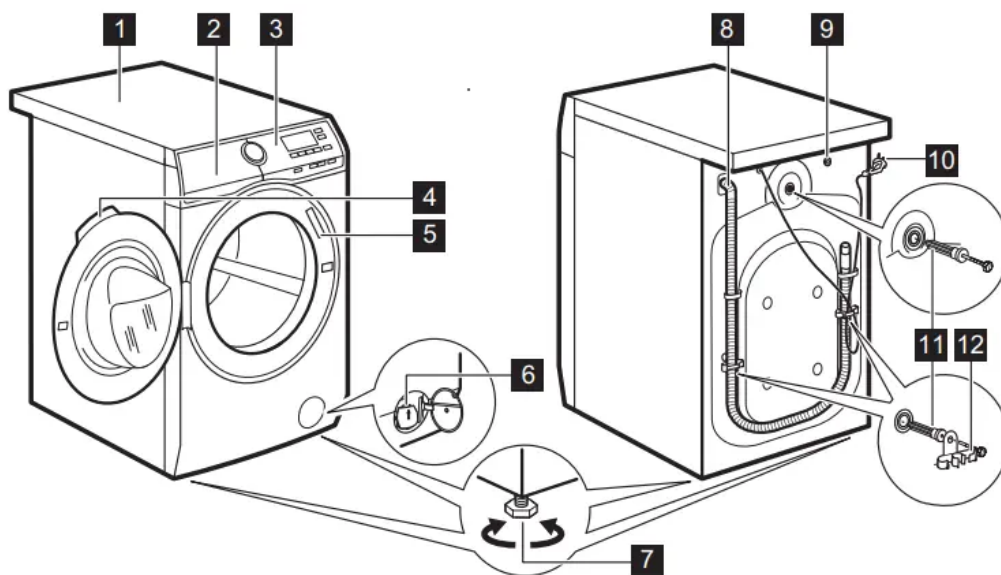
# PRODUCT DESCRIPTION

### Special features

Your new washing machine meets all modern requirements for an effective treatment of laundry with low water, energy and detergent consumption and proper care of fabric.

- The SoftWater Technology acts as water softener and removes harsh minerals from the inlet water and supplies soft water for the washing. Wash after wash, fabric stiffness, shrinkage and colour fading are prevented.
- The Oko-Mix technology has been designed to protect the fabric fibres thanks to different pre-mixing phases that dissolves first the detergent and then fabric softener in the water before they are distributed in the laundry. So every fibre is reached and cared for.
- The ProSense technology detects the laundry load size defining the programme duration in 30 seconds. The washing programme is tailored to the laundry load and the type of fabric without consuming more time, energy and water than necessary.
- The steam has a quick and easy way to refresh the clothes. The gentle steam programmes remove odours and reduce creases in dry fabrics so they need little ironing. The Plus Steam option, finishes every cycle with gentle steam that relaxes the fibres and reduces fabric creasing. Ironing will be easier!
- The Stains option pre-treats stubborn stains optimizing the effectiveness of the stain remover.
- Thanks to the Soft Plus option, the fabric softener is uniformly spread out in the laundry and deeply penetrates the fabric fibres favouring a perfect softness.

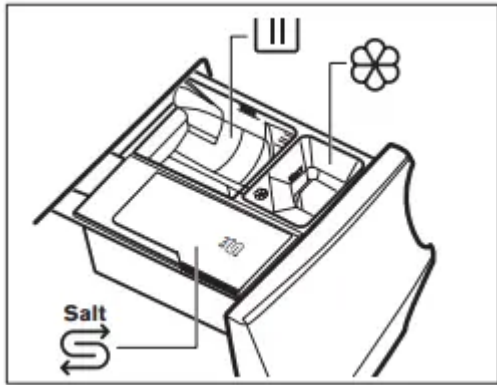
## Appliance overview




1. Worktop
2. Detergent dispenser and salt compartment
3. Control panel
4. Door handle
5. Rating plate
6. Drain pump filter
7. Feet for levelling the appliance
8. Drain hose
9. Inlet hose connection
10. Mains cable
11. Transit bolts
12. Hose support

### Detergent dispenser and salt compartment


Always follow the instructions that you find on the packaging of the detergent products. Anyway, we recommend not to exceed the maximum indicated level in each compartment (**MAX**).



 Compartment for washing phase: powder detergent, stain remover.

When using liquid detergent, make sure that the special container for liquid detergent is inserted. Refer to 'Filling the detergent and additives' in 'Daily Use' chapter.

 Compartment for liquid additives (fabric conditioner, starch).

 Compartment for salt. Read carefully 'The Water Softener technology ( Soft Water)'.

**MAX** Maximum level for detergent/ additives quantity.

When selecting a prewash phase, put the detergent/ additive in a dosing ball inside the drum.

After a washing cycle, if necessary, remove any detergent residue from the detergent dispenser

## THE WATER SOFTENER (SOFTWATER TECHNOLOGY)

### Introduction

- The water contains harsh minerals. The higher the content of these minerals the harder the water is.
- Hard water can reduce the effectiveness of the detergent, reduce the softness of fabrics and contribute towards shrinkage and colour fading.
- This appliance is equipped with a water softener able to provide the right degree of water softening to preserve the fabric integrity, colour brightness and ensuring good wash performances at low temperature.
- The water softener should be adjusted according to the water hardness of your inlet water. A correct setting allows to achieve the best washing results and the maximum garments protection.
- To set the water softener correctly, please refer to 'How to set the water hardness level'.


## How to set the water hardness level

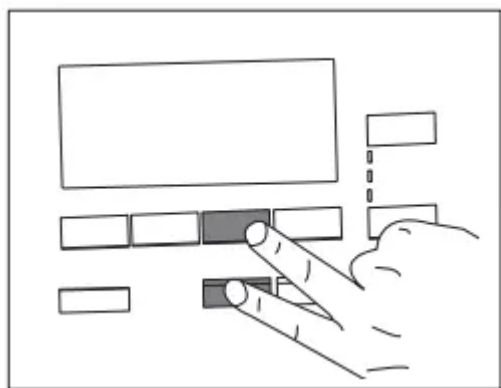
The appliance allows you to choose between 7 levels corresponding to 7 different ranges of water hardness.

Depending on the country, the water hardness is expressed in equivalent scales: e.g. French degrees (°f), German degrees (°d), English degrees (°e), mmol/l and ppm.

If necessary, please contact your local water authority to check the water hardness in your area.

Check in the "Water hardness levels" table which is the proper level. To set the water hardness level:

1. Press the On/Off button for a few seconds to activate the appliance.
2. Wait about 10 seconds for appliance internal check.
3. Touch the Stains/Prewash and the Plus Steam buttons simultaneously (by touching the two buttons at the same instant, as shown in the next drawing) for some seconds until the display shows the default level C04 and the indicator  goes on. It means the water softener is active during washing only.




4. Touch repeatedly the Stains/Prewash button until the desired level appears (from C01 to C07).
5. Touch the Start/Pause button to confirm your choice and exit the menu.

## How to set the water softener also during rinse phase



The factory setting allows to soften the water during washing phase only. This setting satisfies most of the use condition. However, if the inlet water is particularly hard (C06 and C07 levels), we suggest to set the water softener also during rinsing phase to preserve the fabric softness.

Once you have entered the menu by pressing Stains/Prewash and the Plus Steam buttons:

1. Touch the Plus Steam button. The  goes on. This setting increases the salt consumption.
2. Touch the Start/Pause button to confirm your choice and exit the menu.

## How to deactivate the water softener

Once you have entered the menu by pressing Stains/Prewash and the Plus Steam buttons:


1. By touching the Plus Steam button twice, the water softener is excluded completely. The indicator  and  go off and **OFF** the appears in the display.
2. Touch the Start/Pause button to confirm your choice and exit the menu.

Water hardness levels

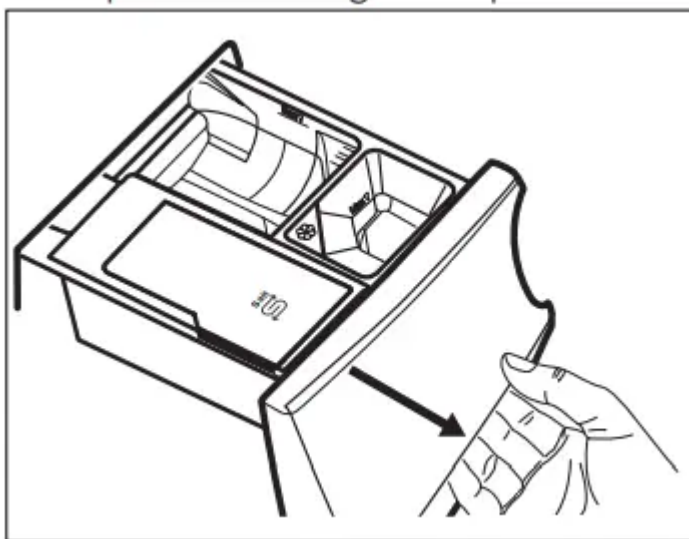
Levels	Water hardness range				
	°f (French de- grees)	°d (German de- grees)	°e (English de- grees)	mmol/l	ppm
C01	≤5	≤3	≤ 4	≤0.5	≤ 50
C02	6 - 13	4 - 7	5 - 9	0.6 - 1.3	60 - 130
C03	14 - 21	8 - 11	10 -15	1.4 - 2.1	140 - 210
C04 <sup>1)</sup>	22 - 29	12 - 16	16 - 20	2.2 - 2.9	220 - 290
C05	30 - 37	17 - 20	21 - 26	3.0 - 3.7	300 - 370
C06	38 - 45	21 -25	27 - 32	3.8 - 4.5	380 - 450
C07	≥46	≥26	≥33	≥4.6	≥460

1) Factory setting, able to satisfy most of the use conditions.

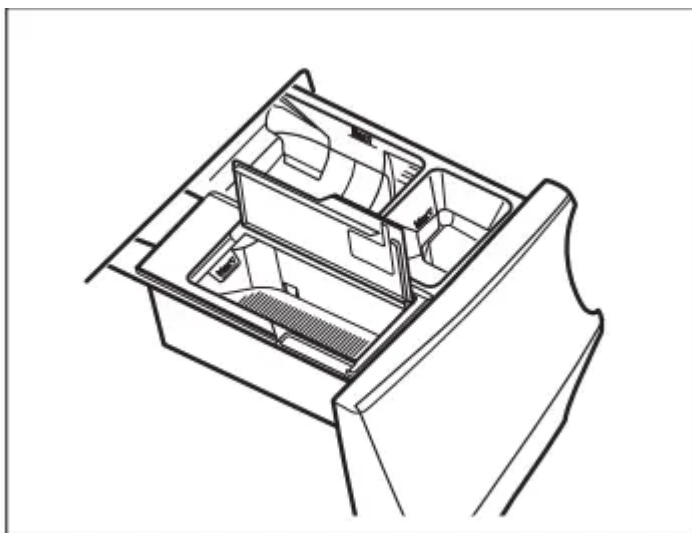
## Pouring salt

The water softener function acts through special resins present in the appliance. To regenerate the resins and make them ready to soften the water pour a special salt in the compartment Salt :

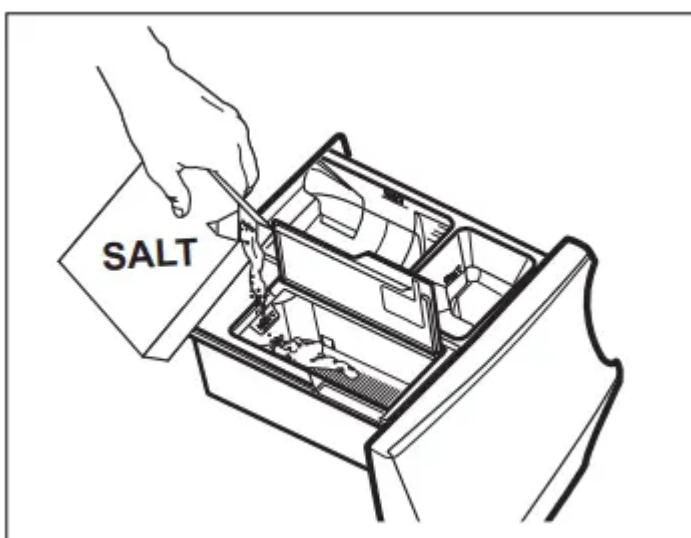
1. Open the detergent dispenser



2. Open the compartment 






3. Pour the special salt.



4. Close the salt compartment and the detergent dispenser.

Regularly check if there is enough salt.

The compartment  Salt can contain about 600 gr of salt that are sufficient for about 20 - 300 washing cycles (or 4 - 70 weeks) depending on the set water hardness level and whether the water softener is activated during wash phase only. If the water softener is activated also during rinse phase, the salt refilling lasts 5 - 80 washing cycles (or 1 - 18 weeks) depending on the set water hardness level. Refer to 'How to set the water hardness level'.

The display shows the indicator  when compartment  Salt needs to be refilled with salt, even if a little salt still remains.




### Water softener regeneration

- After a few cycles, the appliance may need to regenerate the water softener.

- The regeneration process takes place automatically when long cycles are used routinely (e.g. Cottons, Synthetics or Cottons Eco) without reducing the time.
- If you usually run short cycles lasting less than 2 hours, the regeneration process may not occur: you could see that salt has not been used, since it is consumed during regeneration phase only.
- Depending on the frequency of use and the water hardness level, run a long cycle once a week or every two weeks at least, in order to guarantee the proper usage of soft water in your washing cycle.

## BEFORE FIRST USE

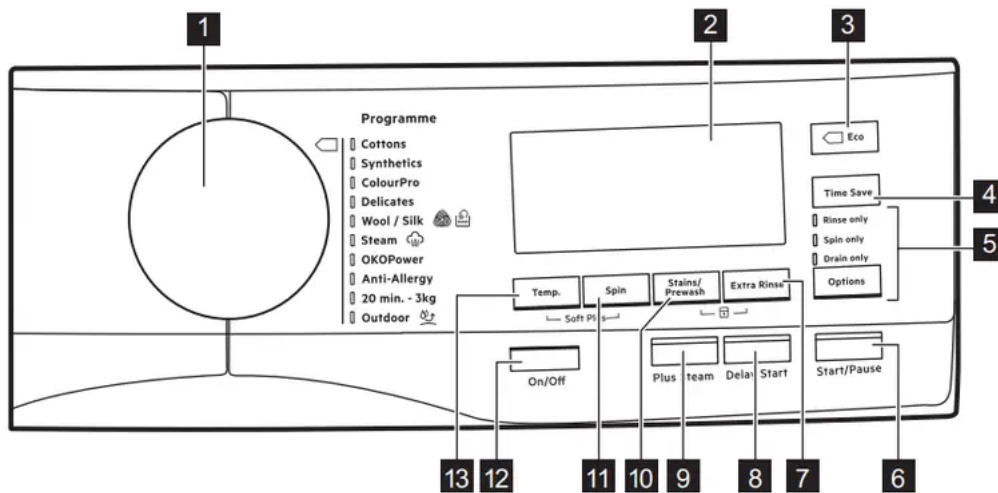
During installation or before first use you may observe some water in the appliance. This is a residual water left in the appliance after a full functional test in the factory to ensure the appliance is delivered to customers in perfect working order and is no cause for concern

1. Make sure that all transit bolts have been removed from the appliance.
2. Make sure that the electrical power is available and the water tap is open.
3. Make sure that there is salt in the compartment marked by  Salt and set the proper water hardness level. Refer to "How to set the water hardness level".
4. Pour 2 litres of water into the detergent compartment marked by . This action activates the drain system.
5. Pour a small quantity of detergent into the compartment marked by .
6. Set and start a programme for cotton at the highest temperature without any laundry in the drum.

This removes all possible dirt from the drum and the tub.

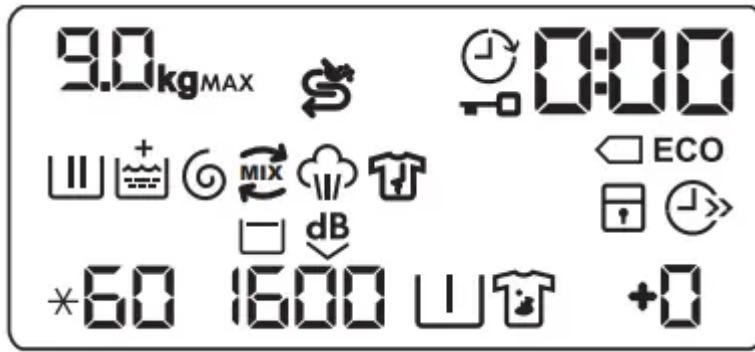
# CONTROL PANEL

## Control panel description






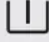
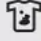
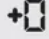


1. Programme dial
2. Display
3. Energy saving touch button (Eco)
4. Time saving touch button (Time Save)
5. Skipping phase touch button (Options)
  - Wash phase skipping (Rinse only)
  - Wash and rinse phase skipping (Spin only)
  - Only drain (Drain only)
6. Start/Pause touch button (Start/ Pause)
7. Extra rinse touch button (Extra Rinse)
8. Delay start touch button (Delay Start)
9. Super steam touch button (Plus Steam)
10. Anti-stain and prewash touch button (Stains/Prewash)
11. Spin reduction touch button (Spin)
12. On/Off push button (On/Off)
13. Temperature touch button (Temp.)

## Display



<b>9.0kg</b>	Maximum load indicator. The <b>kg</b> icon flashes during laundry load estimation (refer to "PROSENSE load detection" paragraph).
<b>MAX</b>	Maximum laundry indicator. It flashes when the laundry load exceeds the maximum declared load of the selected programme.
	Salt refilling indicator. The compartment  needs salt refilling: the compartment is empty or the salt is not enough.
	Delay start indicator.
	Door locked indicator.
<b>0:00</b>	The digital indicator can show: <ul style="list-style-type: none"> <li>• Programme duration (e. g. <b>2:40</b>).</li> <li>• Delay time (e. g. <b>30'</b> or <b>2h</b>).</li> <li>• Cycle end ().</li> <li>• Warning code (e.g. <b>E20</b>).</li> </ul>
	Energy saving indicators. The  indicator appears by selecting a programme for cotton at 40 °C or 60 °C.
	Washing phase indicator: it flashes during prewash and wash phase.
	Rinsing phase indicator: it flashes during rinse phase.
	The <b>+</b> indicator appears when the Soft Plus option is activated.
	Spin and drain phase indicator. It flashes during spin and drain phase.
	OKO MIX indicator.
	Steam phase indicator.

	Anti-crease phase indicator.
	Child safety lock indicator.
	Time saving indicator.
60	Temperature indicator. The * indicator appears when a cold wash is set.
1600	Spin speed indicator.
	Rinse hold indicator.
	Quiet indicator.
	Pre-wash indicator.
	Stain indicator.
	Extra rinse indicator.

## DIAL AND BUTTONS

### On/Off

- Pressing this button for a few seconds allows to activate or deactivate the appliance. Two different tunes sound while switching the appliance on or off.
- As the Stand-by function automatically deactivates the appliance to decrease the energy consumption in a few cases, you may need to activate the appliance again.
- For more details, refer to Stand-by paragraph in Daily Use chapter.

### Introduction

- The options/functions are not selectable with all washing programmes. Check the compatibility between options/functions and washing programmes in the "Programme Chart". An option/function can exclude another one, in this case the appliance doesn't allow you to set the incompatible options/functions together. Make sure the screen and touch buttons are always clean and dry.

### Temp.

- When you select a washing programme, the appliance automatically proposes a default temperature.
- Touch this button repeatedly until the desired temperature value appears on the display.
- When the display shows the indicators \* and --, the appliance does not heat the water.

## Spin

When you set a programme, the appliance automatically selects the maximum spin speed.


Touch this button repeatedly to:

- Decrease the spin speed.

The display shows only the spin speeds available for the set programme.

- Activate the Rinse Hold option .

The water of the last rinse is not drained out to prevent the fabrics from creasing. The washing programme ends with water in the drum and the final spin phase is not performed.

The display shows the indicator .


The drum turns regularly to reduce creasing.

The door stays locked. The drum turns regularly to reduce creasing. You must drain the water to unlock the door.

Touch Start/Pause button: the appliance performs the spinning phase and drains the water.

- Activate the Quiet option.

All spinning phases (intermediate spin and final spin) are suppressed and the programme ends with water in the drum. This helps to reduce creasing. As the programme is very quiet, it is suitable for use at night time when cheaper electricity tariffs are available. In some programmes the rinses are performed with more water.

The display shows the indicator . The door stays locked. The drum turns regularly to reduce creasing. You must drain the water to unlock the door.

Touch the Start/Pause button: the appliance performs only the draining phase.


The appliance empties the water out automatically after approximately 18 hours.

## Stains/Prewash

Press this button repeatedly to activate one of the two options.

The relevant indicator goes on in the display.

**Stains** 


- Select this option to pre-treat heavily soiled or stained laundry using stain remover.
- Pour the stain remover into compartment . The stain remover is pre-mixed and heated with detergent in order to improve its effectiveness.
- This option can increase the programme duration.


- This option is not available with a temperature lower than 40 °C.

## Prewash





- Use this option to add a prewash phase at 30 °C before the washing phase.
- This option is recommended for heavily soiled laundry, especially if containing sand, dust, mud and other solid particles.
- Put the detergent for prewash in a dosing ball inside the drum.
- This option can increase the programme duration.
- These two options cannot be set together.

## Extra Rinse

- With this option you can add up to 3 rinses accordingly to the selected washing programmes.
- Useful for people allergic to detergents and with sensitive skin.
- The  indicator shows the selected number of rinses.
- This option increases the programme duration.

If the Extra Rinse is set as a default option and you select a compatible washing programme, the display shows . In this case, by pressing the Extra Rinse button, it is possible to add just one rinse.


## Plus Steam

- This option adds a steam phase followed by a short anti-crease phase at the end of the washing programme.
- The steam phase reduces fabric creasing and facilitates the fabric ironing.
- The indicator  flashes on the display during steam phase.
- This option can increase the programme duration.
- When the programme stops the display shows a zero , the indicator  is steady on and the indicator  starts flashing. The drum performs smooth movements for about 30 minutes to keep the steam benefit. By touching any button the anti-crease movements stop and the door unlocks.
- A small laundry load helps to reach better results.

Eco




- The Eco option reduces the energy consumption maintaining good washing results.
- Set this option for slightly or normally soiled items washed at 30°C or higher temperatures.
- Water and energy consumption may depend on different causes, such as water pressure, its hardness and temperature, ambient temperature, type and quantity of laundry, the set options, spin speed and voltage fluctuations in the electricity network. The display shows the indicator ECO.

If you select the Cotton programme at 40°C or 60°C and no other options are set, the display shows the indicator  **ECO**; these are the standard cotton programmes, the most efficient programmes in terms of combined energy and water consumption.

### Time Save

With this option you can decrease the programme duration.

- If your laundry is normally or lightly soiled, it may be advisable to shorten the washing programme. Touch this button once to decrease the duration.
- In case of smaller load, touch this button twice to set an extra quick programme.

The display shows the indicator .

This option can also be used to shorten the Steam programme duration.

### Skipping phase button (Options)


By touching this button you can set:

- Rinse only at first touch. The washing programme starts from the rinsing phase by skipping the wash phase. All set options (except permanent extra rinse) are deselected automatically.
- Spin only at second touch. The appliance skips wash and rinse phase.
- Drain only at third touch. The appliance performs only the drain phase.

At first touch the appliance proposes the default setting of the washing programme again.

### Delay Start

- With this option you can delay the start of a programme in a more convenient time.
- Touch the button repeatedly to set the required delay. The time increases by steps of 30 minutes up to 90' and from 2 hours up to 20 h.

- After touching the Start/Pause button, the display shows the indicator  and the selected delay time and the appliance begins the countdown.


## Start/Pause

- Touch the Start/Pause button to start, pause the appliance or interrupt a running programme.

## SETTINGS

### Child Lock

With this option you can prevent that the children play with the control panel.

- To activate/deactivate this option, touch the Stains/Prewash and the Extra Rinse buttons simultaneously until the indicator  comes on/goes off on the display.

You can activate this option:

- After you touch the Start/Pause button: all the buttons and the programme dial are deactivated (except On/Off button ).
- Before you touch the Start/Pause button: the appliance cannot start.

The appliance keeps the selection of this option after you switch it off.

### Acoustic signals

This appliance is provided with different acoustic signals, that operate when:

- You activate the appliance (special short tune).
- You deactivate the appliance (special short tune).
- You touch the buttons (click sound).
- You make a wrong selection (3 short sounds).
- The programme is completed (sequence of sounds for about 2 minutes).
- The appliance has a malfunction (sequence of short sounds for about 5 minutes).

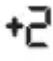
To deactivate/activate the acoustic signals when the programme is completed, touch the Extra Rinse and the Delay Start buttons simultaneously for about 6 seconds.

If you deactivate the acoustic signals, they continue operate when the appliance has a malfunction.

## Permanent Extra Rinse

With this option you can permanently have an extra rinse when you set a programme where it is selectable.

- To activate/deactivate this option touch the Extra Rinse button and the Options button simultaneously the relevant indicator comes on/goes off.



This option adds two rinses and the display shows .

## Soft Plus

Set the Soft Plus option to optimise the fabric softener distribution and improve the fabric softness.

It is suggested when you use the fabric softener.

This option increases slightly the programme duration.

To activate/deactivate this option touch the Temp. button and the Spin button simultaneously until the  indicator comes on/goes off above the  indicator.

## DAILY USE

WARNING! Refer to Safety chapters.

### Activating the appliance

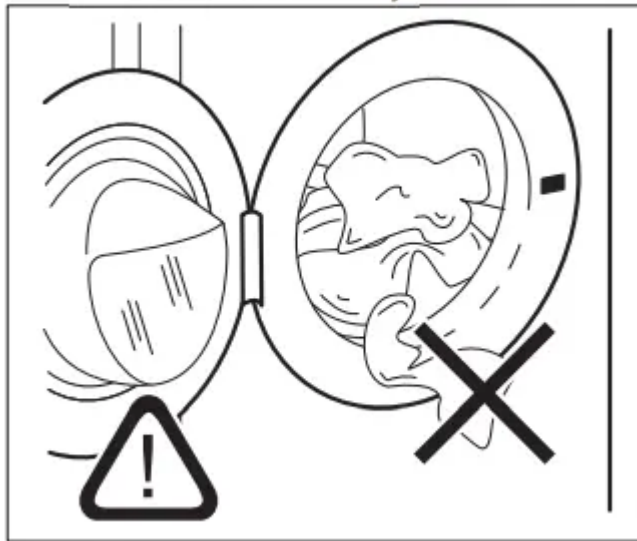
1. Connect the mains plug to the mains socket.
2. Open the water tap.
3. Press the On/Off button for a few seconds to activate the appliance.

A short tune sounds (if activated). The programme dial is automatically set on Cotton programme .

The display shows the maximum load, the default temperature, the maximum spin speed, the indicators of the phases making up the programme and the cycle duration.

### Loading the laundry

1. Open the appliance door.
2. Shake the items before you put them in the appliance.
3. Put the laundry in the drum, one item at a time. Make sure not to put too much laundry in the drum.
4. Close the door firmly.

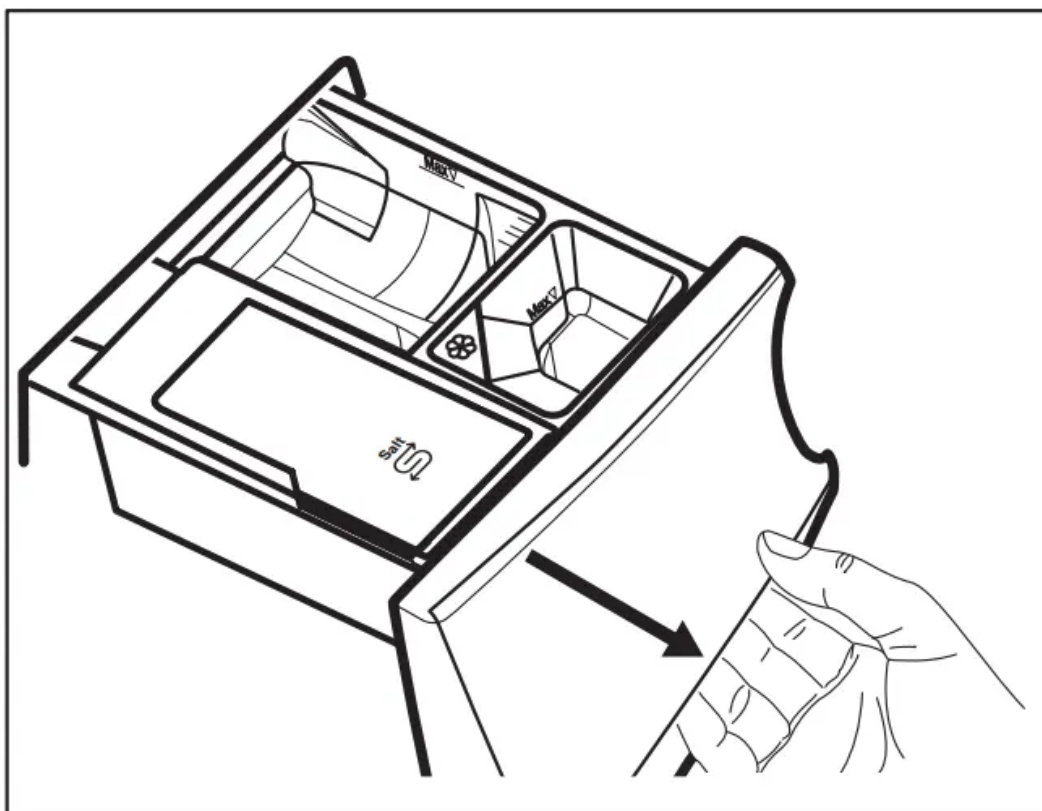


CAUTION! Make sure that no laundry stays between the seal and the door. There is a risk of water leakage or damage to the laundry.

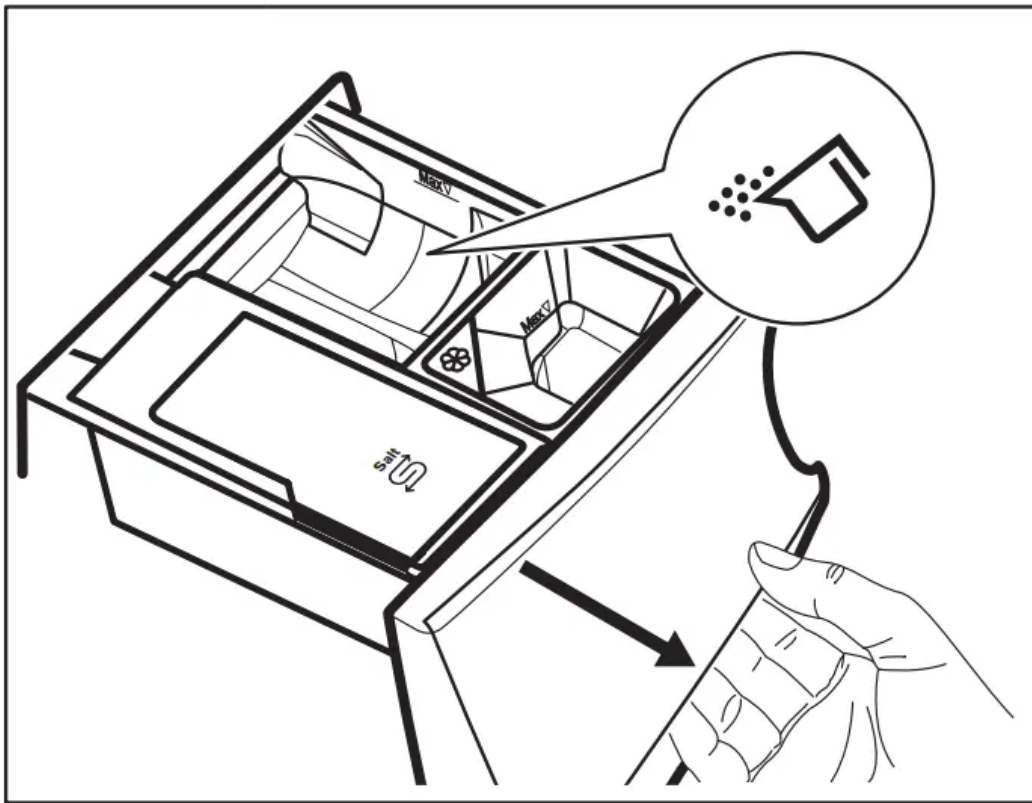
### Filling the detergent and additives


We recommend that you do not exceed the maximum indicated level (**MAX**).

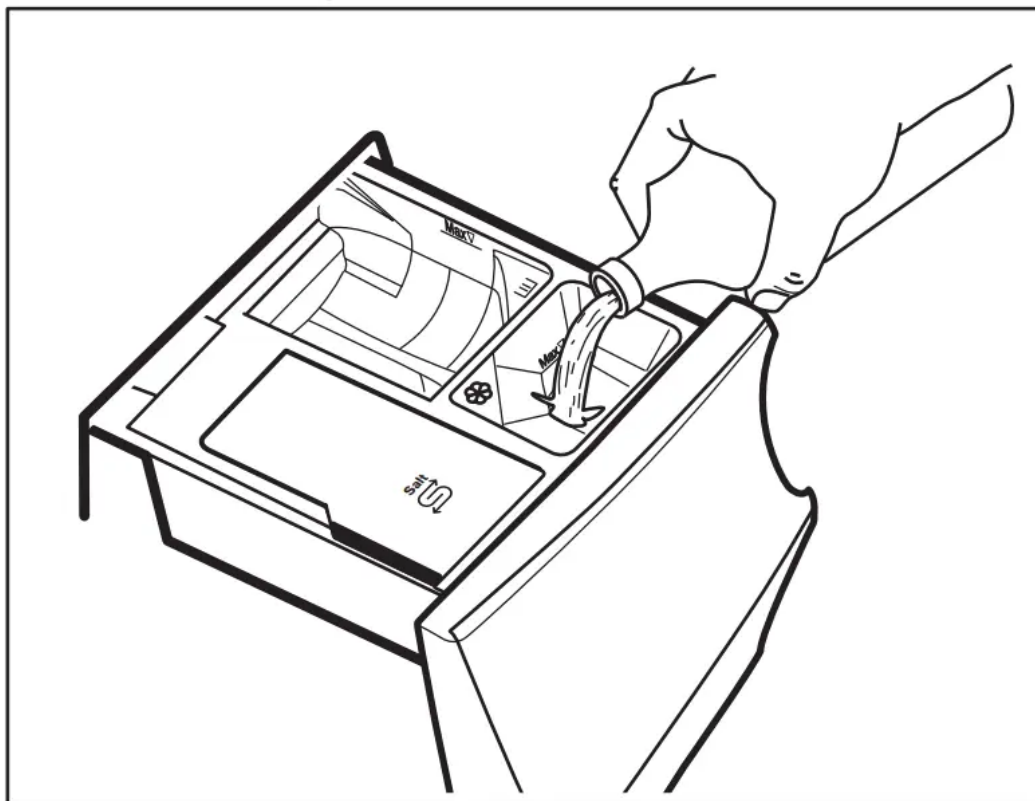
1. Open the detergent dispenser.



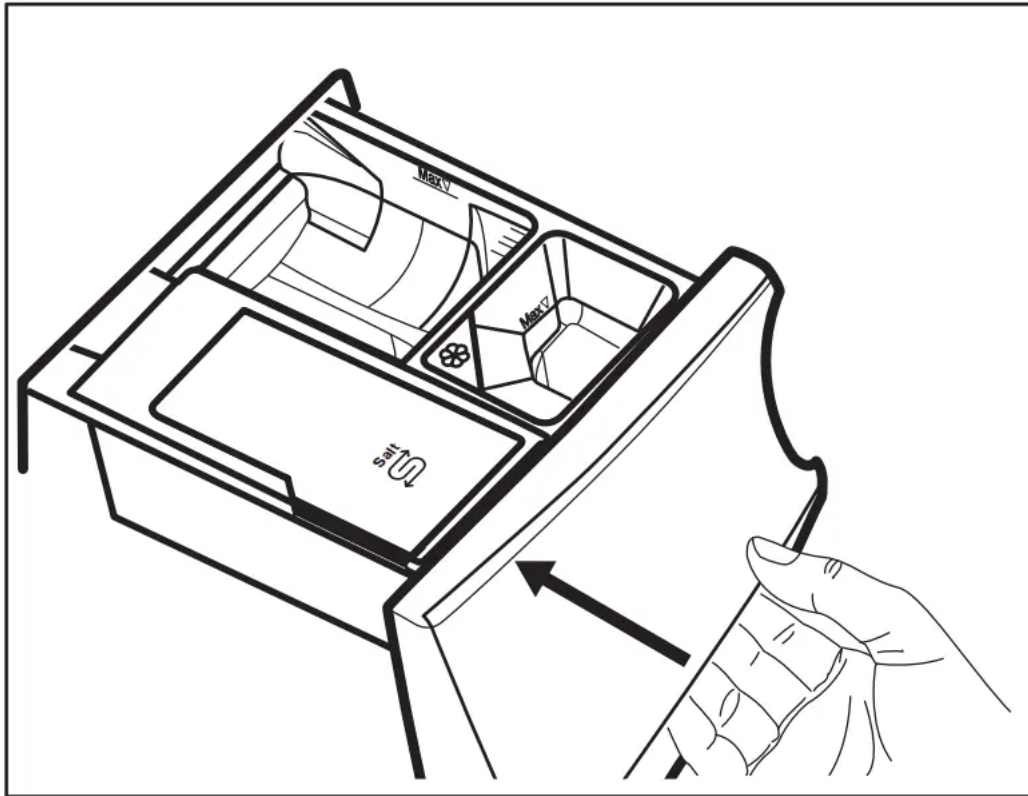
2. Put the powder detergent in the compartment . If using liquid detergent, refer to 'Filling the liquid detergent'.



3. If desired, pour the fabric softener in the compartment: .

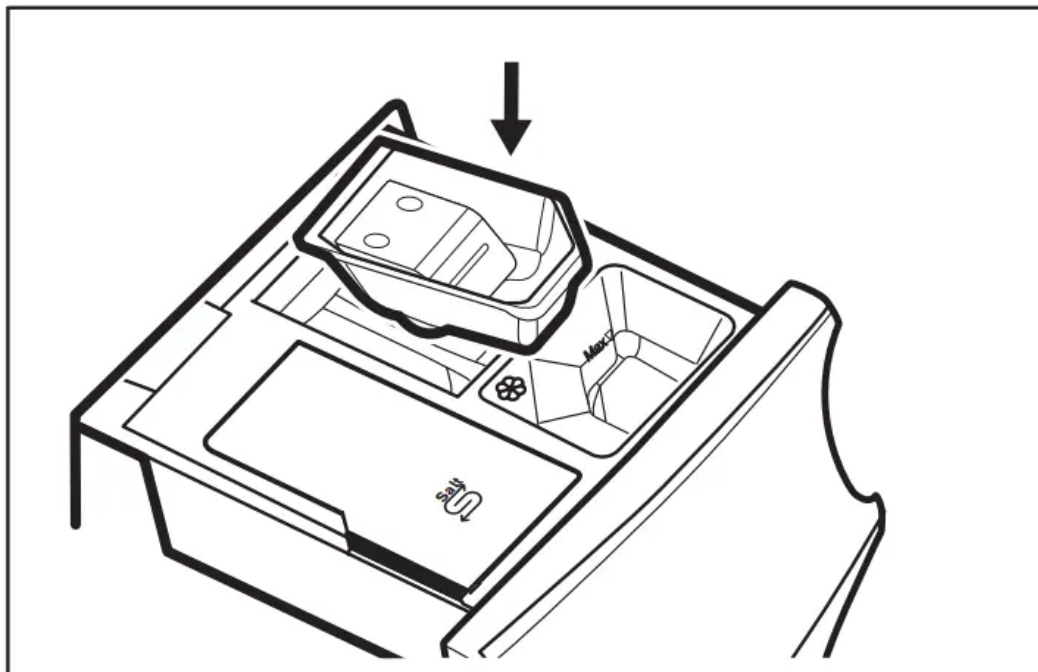



4. Close the detergent dispenser.

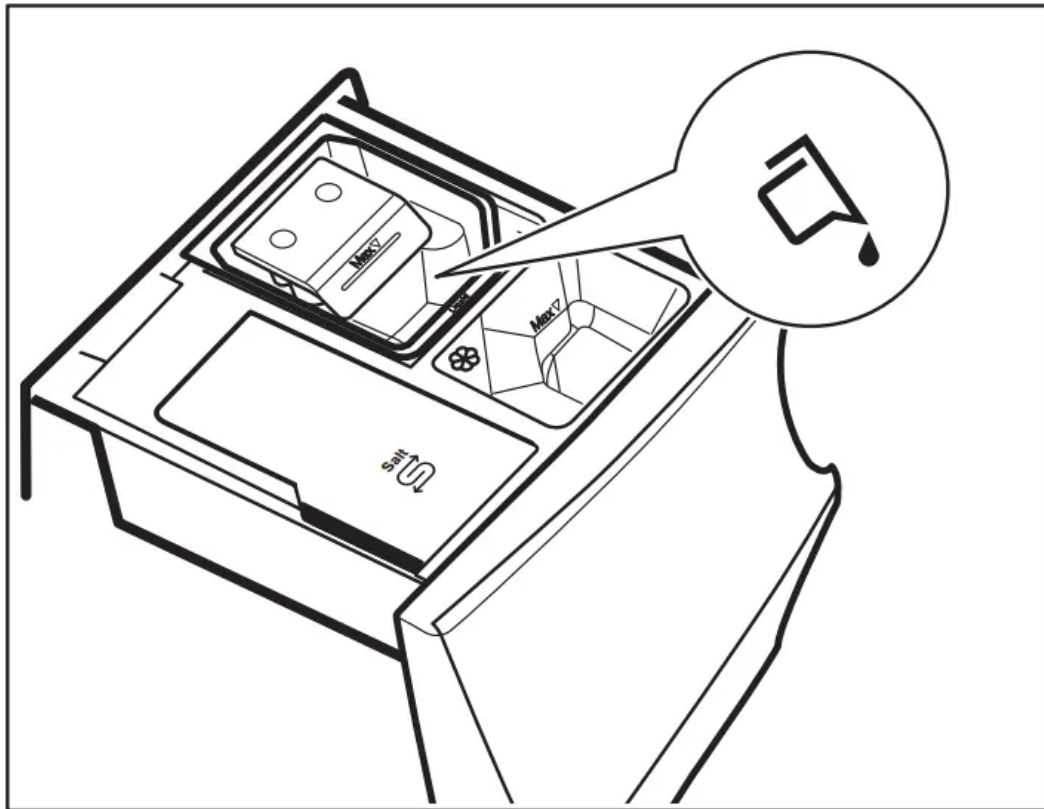


### Filling the liquid detergent

1. Insert the proper container for liquid detergent.



2. Pour the liquid detergent in the compartment .



3. Close the detergent dispenser.

## Setting a programme

1. Turn the programme dial to select the desired washing programme. The related programme indicator comes on.

The indicator of the Start/Pause button flashes.


The display shows the maximum declared load for the programme, the default temperature, the maximum spin speed, the washing phase indicators (when available) and an indicative programme duration.

2. To change the temperature and/or the spin speed, touch the related buttons.

3. If desired, set one or more options by touching the related buttons. The related indicators come on in the display and the given information changes accordingly.

In case a selection is not possible, no indicator comes on and an acoustic signal sounds.

## Starting a programme

- Touch the Start/Pause button to start the programme.
- The related indicator stops flashing and stays on.
- In the display, the indicator of the operating phase starts flashing. The programme starts, the door is locked. The display shows the indicator .

- The drain pump can operate shortly before the appliance fills water.

## Starting a programme with the delay start

1. Touch the Delay Start button repeatedly until the display shows the desired delay time.

The indicator  goes on.


2. Touch the Start/Pause button.

The appliance starts the countdown of the delay start. When the countdown is completed, the programme starts.

The ProSense estimation starts at the end of the countdown.

## Cancelling the delay start after the countdown has started

To cancel the delay start:

1. Touch the Start/Pause button to pause the appliance. The related indicator flashes.
2. Touch the Delay Start button repeatedly until the display shows .
3. Touch the Start/Pause button again to start the programme immediately.

## Changing the delay start after the countdown has started

To change the delay start:



1. Touch the Start/Pause button to pause the appliance. The related indicator flashes.
2. Touch the Delay Start button repeatedly until the display shows the desired delay time.
3. Touch the Start/Pause button again to start the new countdown.

## The ProSense load detection

The programme duration in the display is referred to a medium/high load.

After touching the Start/Pause button, the maximum declared load indicator goes off, the indicator

 flashes, the ProSense starts the laundry load detection:

1. The appliance detects the load in the first 30 seconds: the indicator **kg** and the time dots  flash, the drum rotates shortly.
2. At the end of the load detection, the indicator **kg** goes off and the time dots  stop flashing. The programme duration will be adjusted accordingly and could increase or decrease. After further 30 seconds, the water filling starts.

At the end of the load detection, in case of drum overload, the indicator **MAX** is flashing in the display: In this case, for 30 seconds, it is possible to pause the appliance and remove the exceeding garments.

Once removed the exceeding garments, touch the Start/Pause button to start the programme again. The ProSense phase can be repeated up to three times (see point 1).

Important! If the laundry amount will not be reduced, the washing programme starts anyway, despite the overload. In this case, it will be not possible to guarantee the best washing results.

About 20 minutes after the programme start, the programme duration could be adjusted again depending on the capacity of water absorption of the fabrics.

The ProSense detection is carried out with complete washing programmes only (no skipping phase selected).

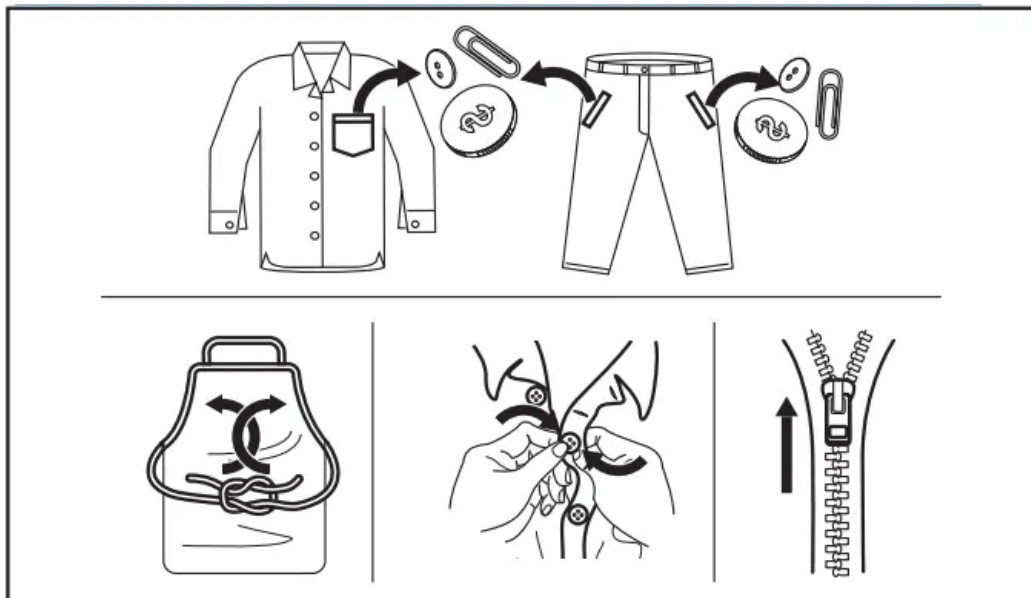
## HINTS AND TIPS

### The laundry load

- Divide the laundry into: white, coloured, synthetics, delicates and wool.
- Follow the washing instructions on the laundry care labels.
- Do not wash white and coloured items together.
- Some coloured items can discolour with the first wash. We recommend that you wash them separately for the first couple of times.
- Turn multilayered fabrics, wool and items with printed illustrations inside out.
- Pre-treat tough stains.
- Wash heavy soil stains with a special detergent.
- Be careful with curtains. Remove the hooks and put the curtains in a washing bag or pillowcase.
- Do not wash laundry without hems or with cuts. Use a washing bag to wash small and/or delicate items (e.g. underwired bras, belts, tights, shoelaces, ribbons, etc. ).
- A very small load can cause balance problems with the spin phase leading to excessive vibration. If this occurs:
  - a. interrupt the programme and open the door (refer to "Daily Use" chapter);
  - b. manually redistribute the load so that the items are spaced evenly around the tub;
  - c. press the Start/Pause button. The spin phase continues.
- Button up pillowcases, close zippers, hooks and poppers. Tie up belts, cords, shoelaces, ribbons and any other loose elements.

If you set a programme or an option that ends with water in the drum, the Stand-by function doesn't deactivate the appliance to remind you to drain the water.

- Empty pockets and unfold the items.



## Stubborn stains

- For some stains, water and detergent is not sufficient.
- We recommend that you pre-treat these stains before you put the items in the appliance.
- Special stain removers are available. Use the special stain remover that is applicable to the type of stain and fabric.

## Detergents and other treatments

- Only use detergents and other treatments specially made for washing machines:
  - powder detergents for all types of fabric, excluding delicate. Prefer powder detergents containing bleach for whites and laundry sanitization
  - liquid detergents, preferably for low temperature wash programmes (60 °C max) for all types of fabric, or special ones for woollens only.
- Do not mix different types of detergents.
- To help the environment, do not use more than the recommended quantity of detergent.
- Follow the instructions that you find on packaging of the detergents or other treatments without exceeding the indicated maximum level (**MAX**).
- Use the recommended detergents for the type and colour of the fabric, the programme temperature and the level of soil.

## Ecological hints

- Set a programme without the prewash phase to wash laundry with normal soil.
- Always start a washing programme with the maximum load of laundry allowed.

- If you pre-treat the stains, you can use a stain remover when you set a programme with a low temperature.
- To use the correct quantity of detergent, refer to the quantity suggested by the detergent producer.

## CARE AND CLEANING

### External cleaning

Clean the appliance with mild soap and warm water only. Fully dry all the surfaces.

CAUTION! Do not use alcohol, solvents or chemical products.

CAUTION! Do not clean the metal surfaces with chlorine-based detergent.

### Descaling

If you use the salt regularly to activate the SoftWater Technology, the descaling procedure described in this paragraph is not necessary.

If the water hardness in your area is high or moderate, we recommend that you use a water descaling product for washing machines

Regularly examine the drum to check for limescale.

The regular detergents already contain water softening agents, but we recommend to run a cycle with empty drum and a descaling product occasionally.

- Always start a washing programme with the maximum load of laundry allowed.
- If you pre-treat the stains, you can use a stain remover when you set a programme with a low temperature.
- To use the correct quantity of detergent, refer to the quantity suggested by the detergent producer.

Always follow the instructions that you find on the packaging of the product.

### Maintenance wash

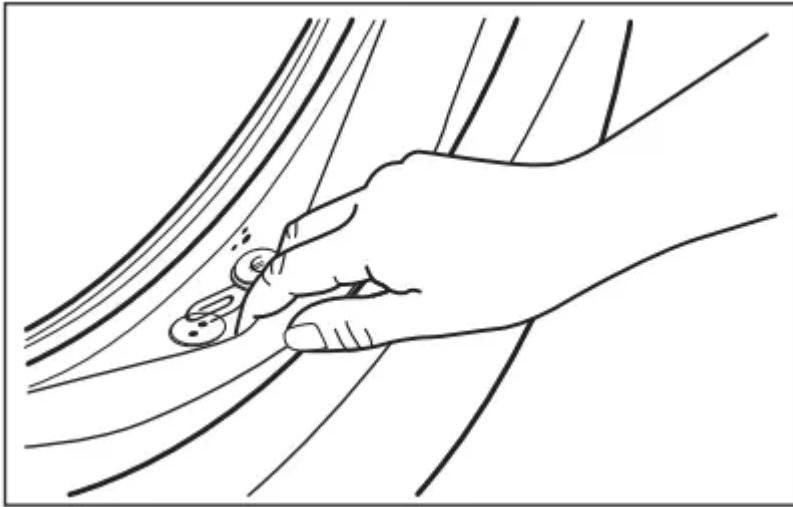
The repeated and prolonged use of low temperature and short programmes can cause detergent deposits, fluff residues, bacterial growth and biofilm formation inside the drum and the tub. This could generate bad odours and mildew.

To eliminate these deposits and hygienize the inner part of the appliance, run a maintenance wash at least once a month:

1. Remove all laundry from the drum.

2. Run a cotton programme with the highest temperature with a small quantity of powder detergent.

## Door seal



- Regularly examine the seal and remove all objects from the inner part.

## Cleaning the drum

Regularly examine the drum to prevent unwanted deposits.

Rust deposits in the drum may occur due to rusting foreign body in the washing or tap water containing iron.

Clean the drum with special products for stainless steel

Always follow the instructions that you find on the packaging of the product. Do not clean the drum with acidic descaling products, scouring products containing chlorine or iron or steel.

For a thorough clean:

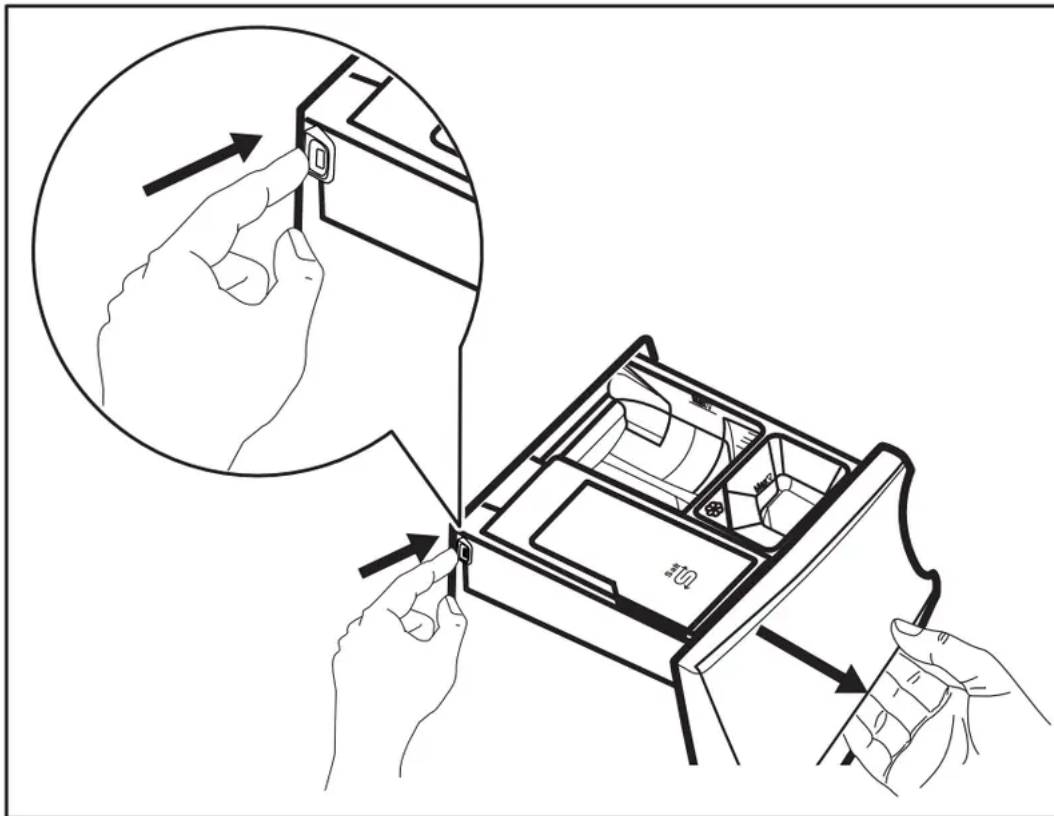
1. Clean the drum with special products for stainless steel. Always follow the instructions that you find on the packaging of the product.
2. Run a short cotton programme at high temperature with empty drum and with a small quantity of powder detergent or, if available, run the Machine Clean programme.

## Cleaning the detergent dispenser and the salt compartment

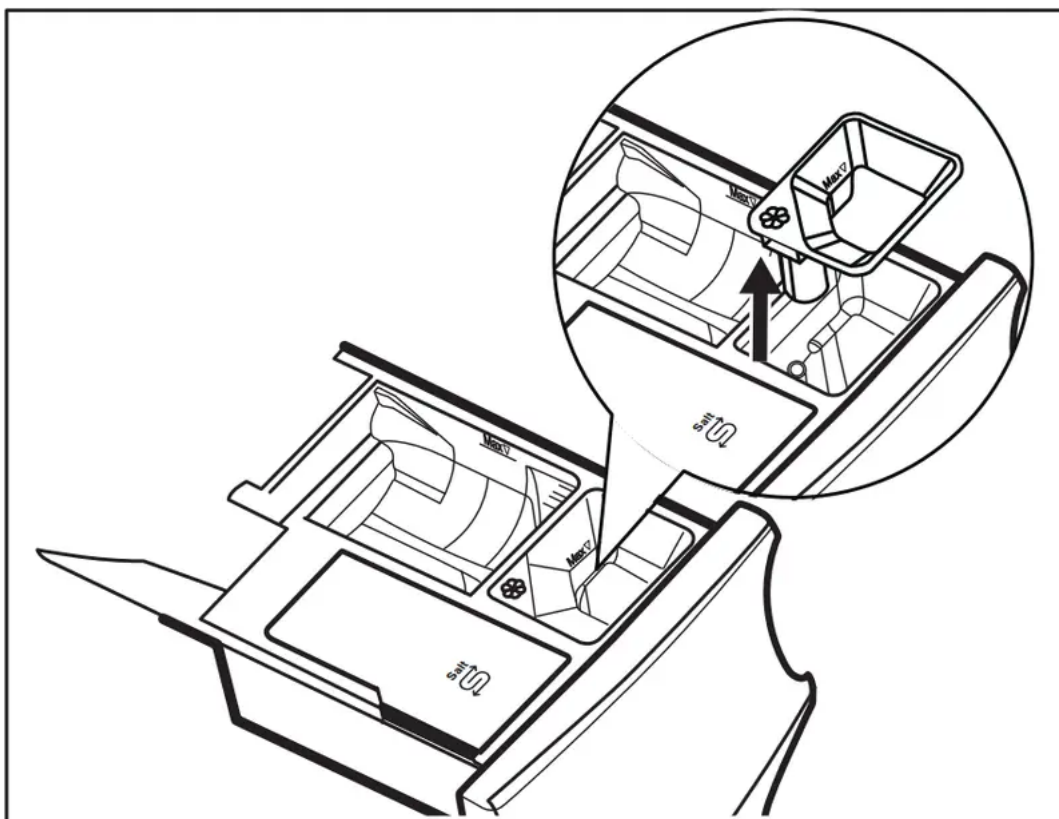
Before cleaning, make sure that the all compartments are empty.

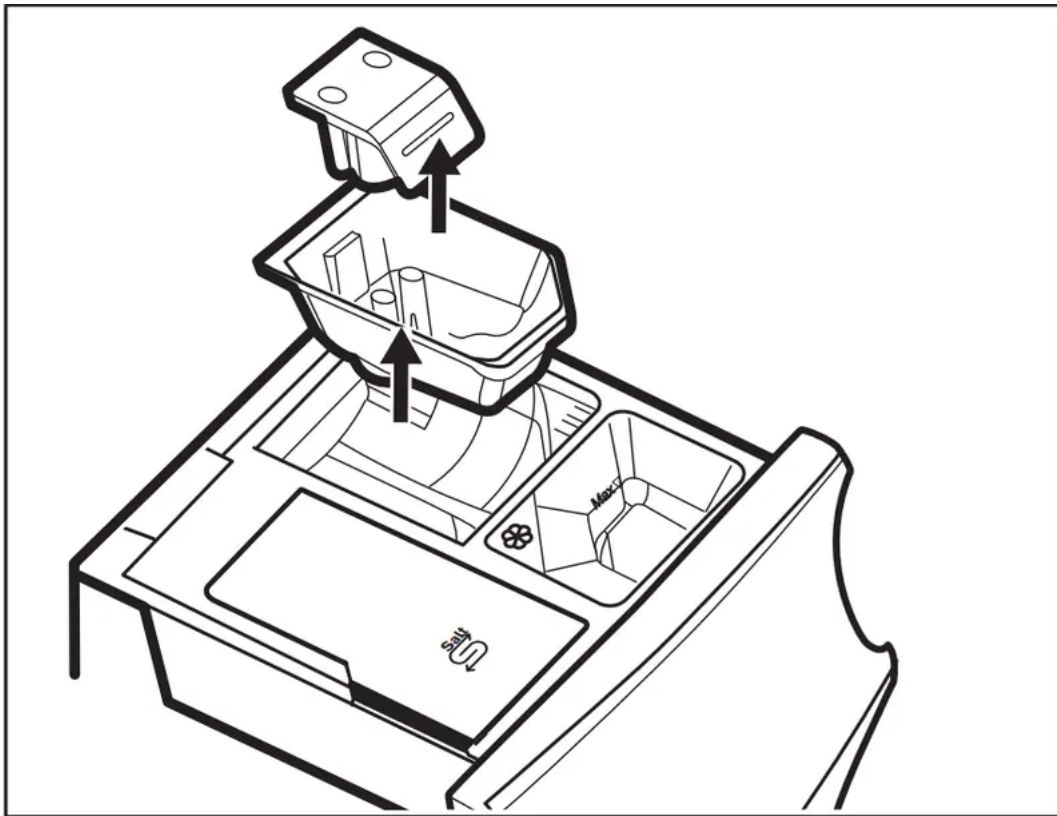
To prevent possible deposits of dried detergent, clotted fabric softener, formation of mould in the dispenser drawer and/or salt fouling in the salt compartment, once in a while carry out the following cleaning procedure:

1. Open the drawer. Press the catch as indicated in the picture and pull the drawer out.

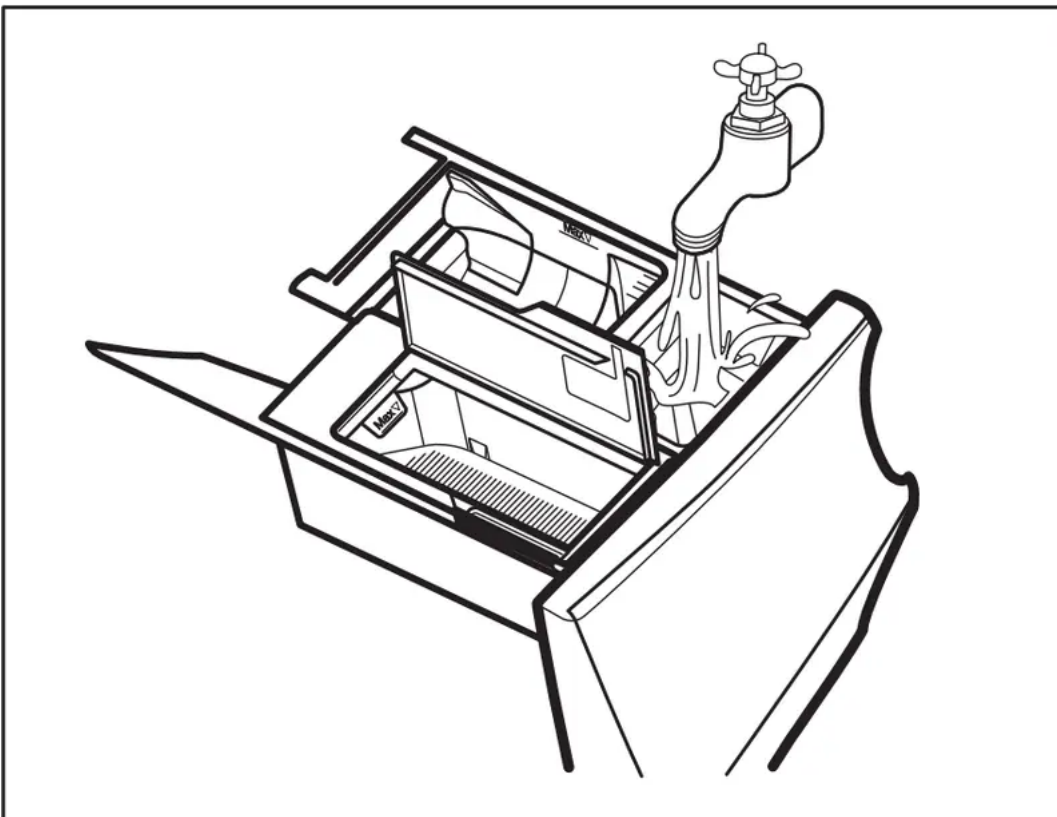


2. Remove the insert for the softener and, if inserted, the container for liquid detergent.

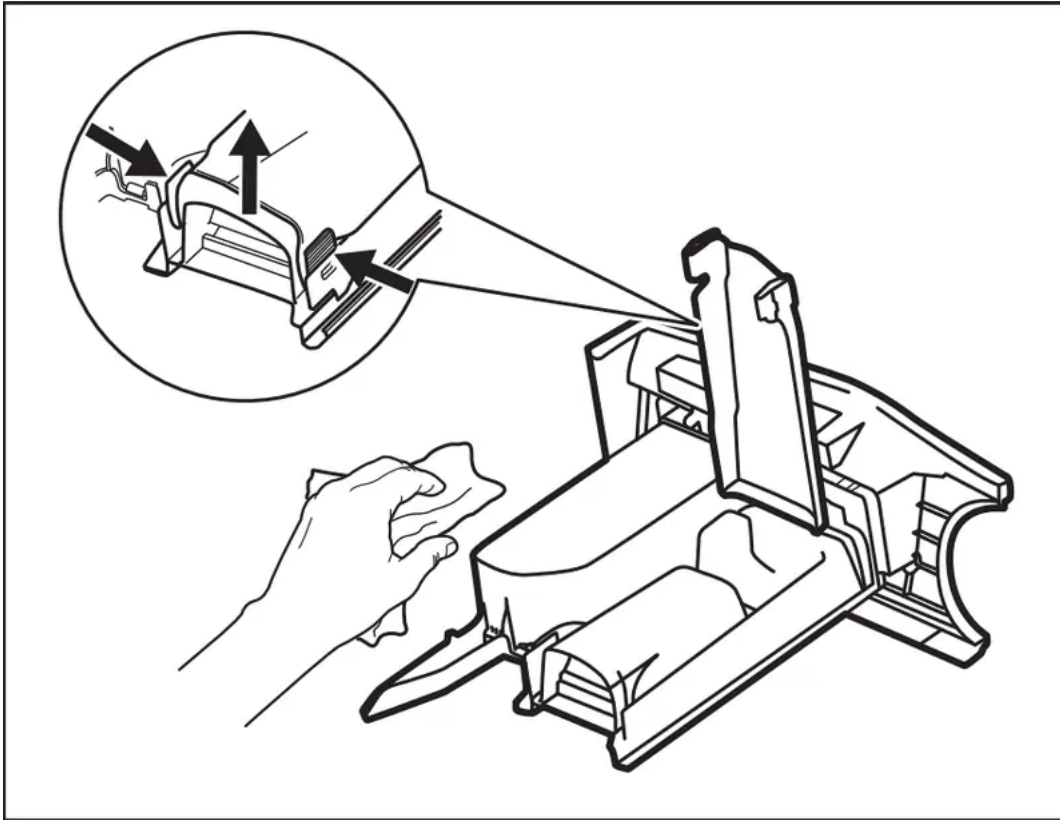




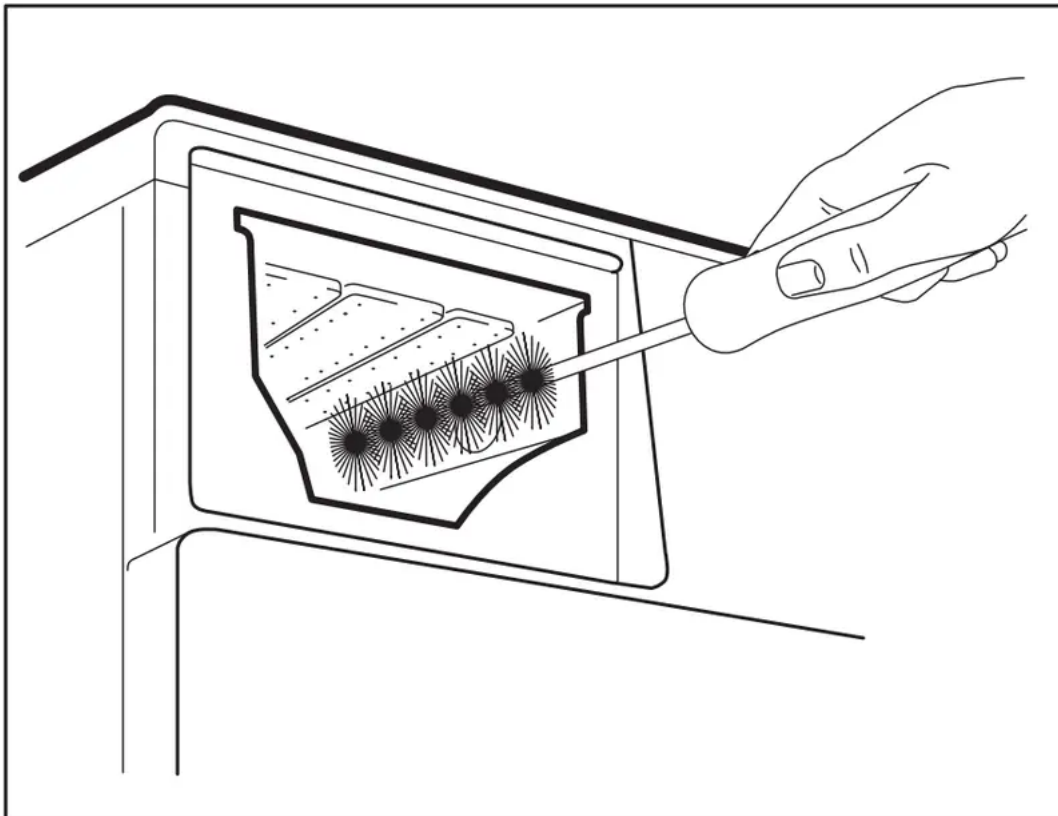
3. Wash the drawer and all inserts under running water.



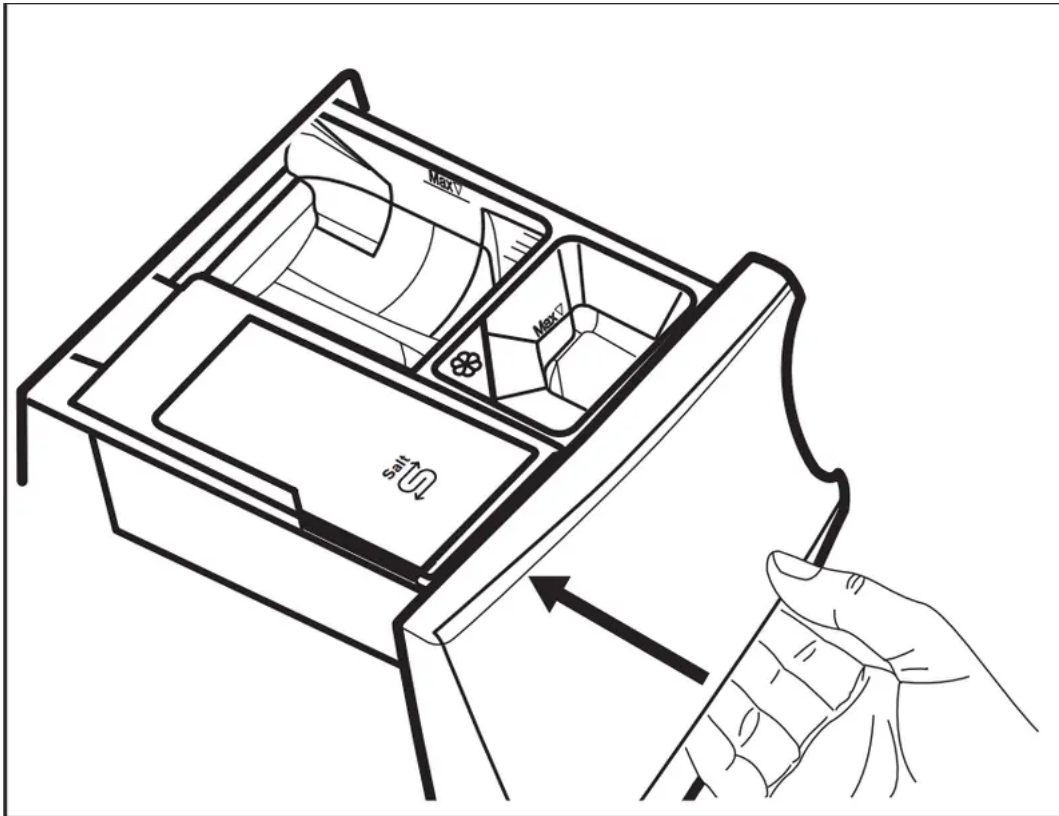
4. Make sure that all detergent residue is removed from the detergent conveyor. Use a cloth.



5. Make sure that all detergent residue is removed from the upper and lower part of the recess. Use a small brush to clean the recess.



6. Insert the detergent drawer into the guide rails and close it. Run the rinsing programme without any clothes in the drum.



### Cleaning the drain pump

**WARNING!** Disconnect the mains plug from the mains socket.

Regularly check the drain pump filter and make sure that it is clean.

Clean the drain pump if:

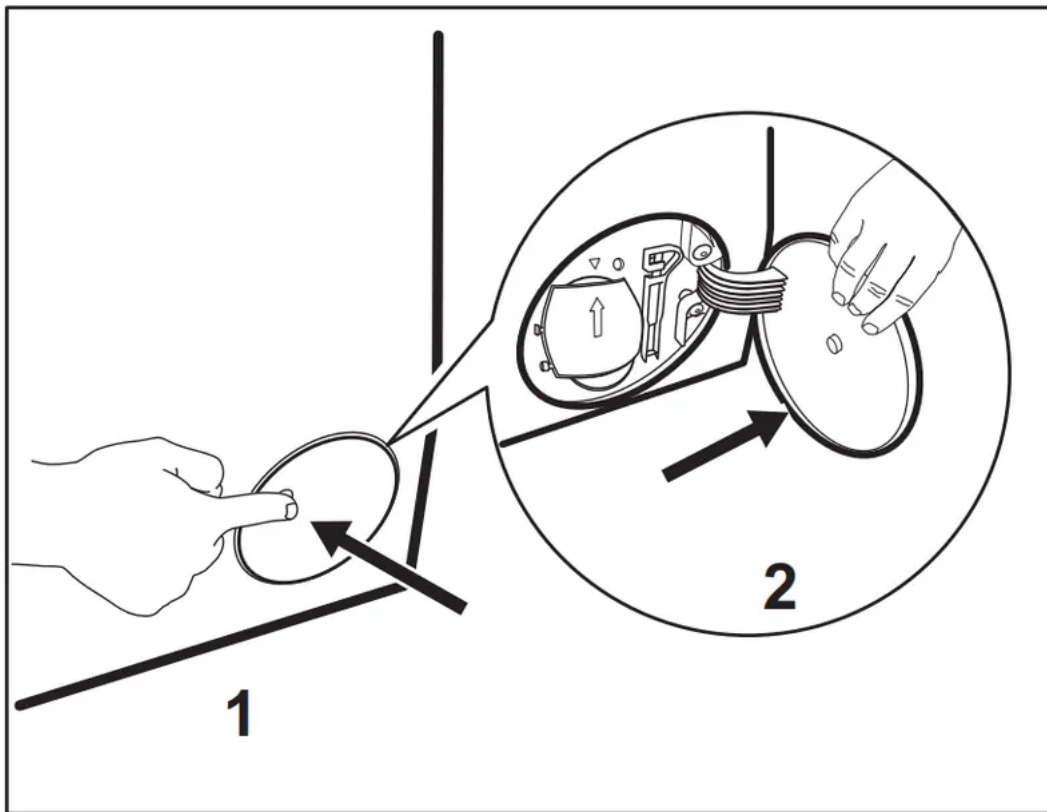
- The appliance does not drain the water.
- The drum does not turn.
- The appliance makes an unusual noise because of the blockage of the drain pump.
- The display shows the alarm code **E20**

**WARNING!**

- Do not remove the filter while the appliance operates.
- Do not clean the pump if the water in the appliance is hot. Wait until the water cools down

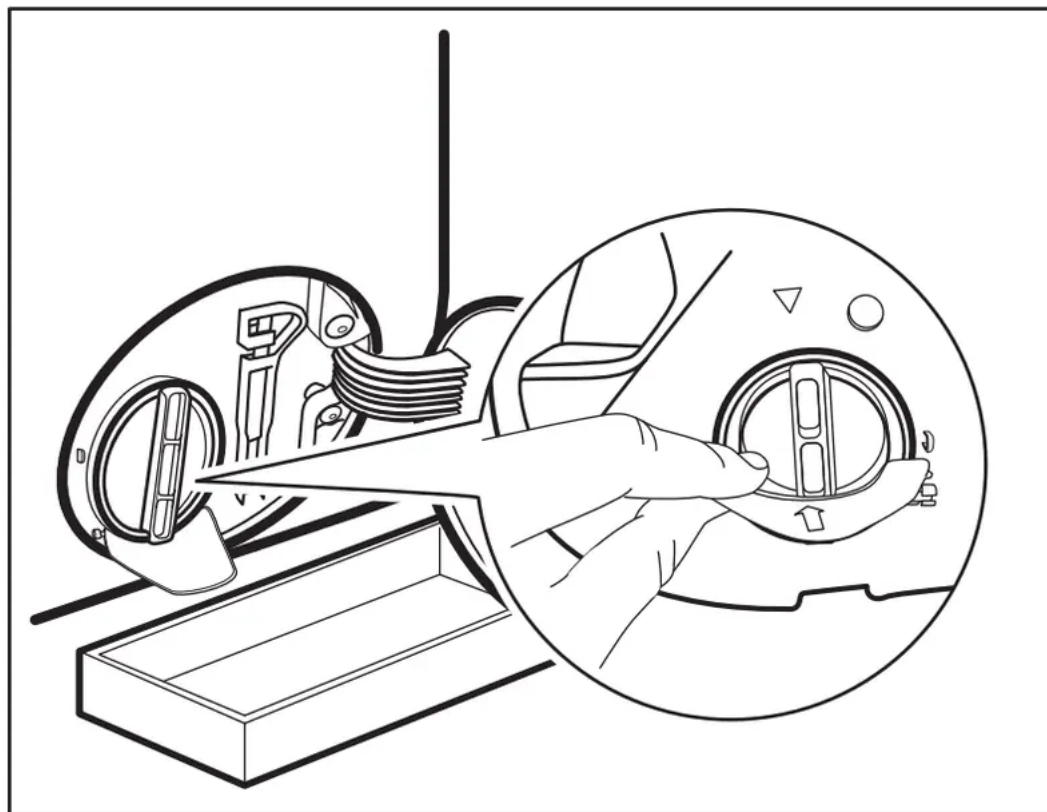
**Proceed as follows to clean the pump:**

1. Open the pump cover.

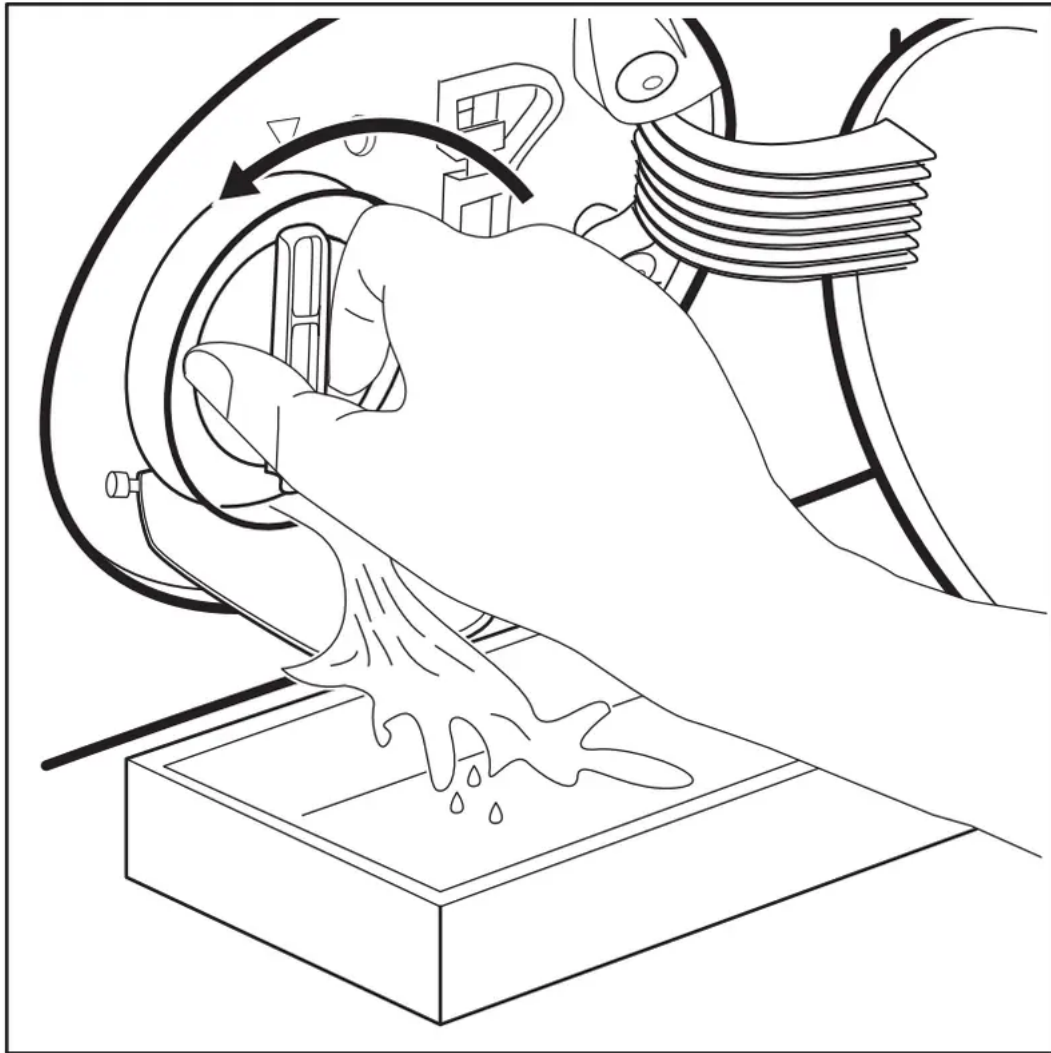


2. Place a suitable bowl below the drain pump access to collect the water that flows out.

3. Open the chute downwards. Always keep a rag nearby to dry up any water spillages when removing the filter.



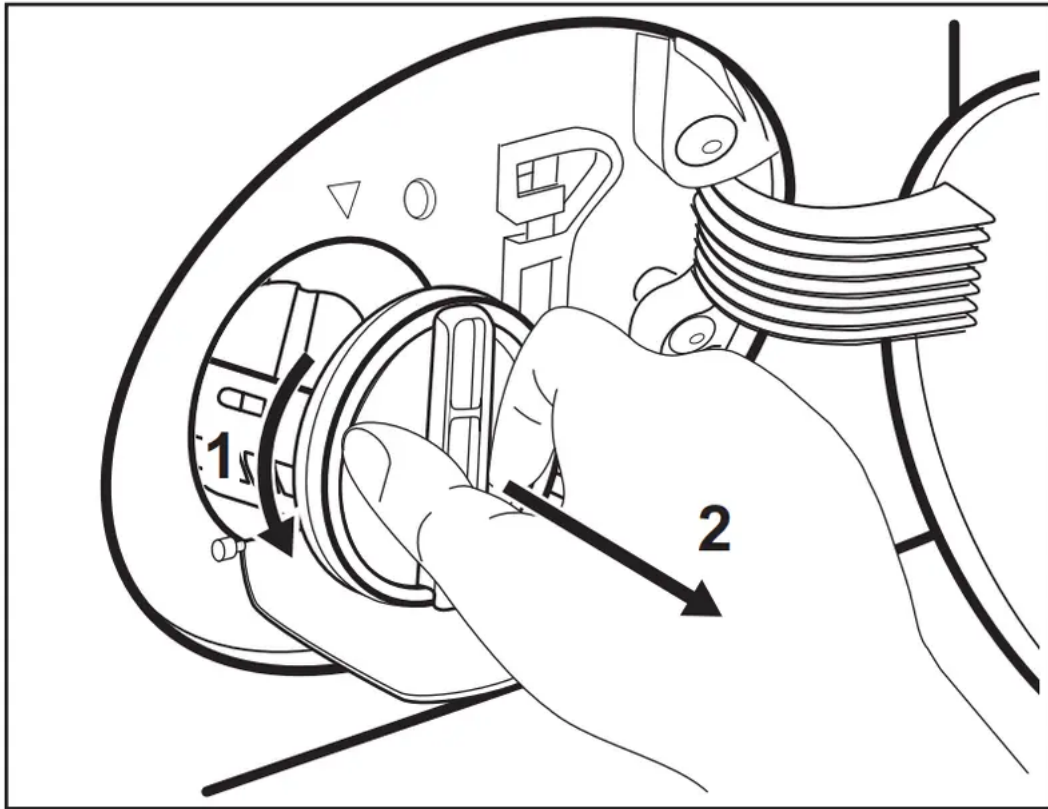
4. Turn the filter 180 degrees in anticlockwise direction to open it, without removing. Let the water flow out.



5. When the bowl is full of water, turn the filter back and empty the container.

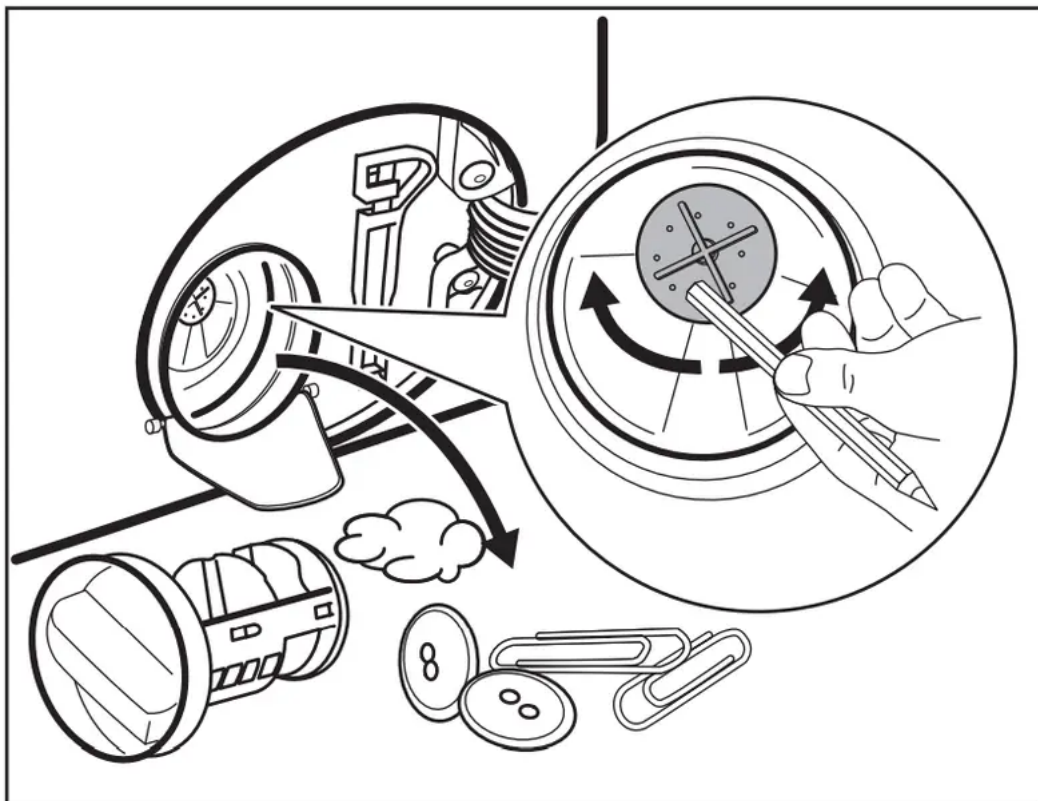
6. Repeat the steps 4 and 5 until the water stops to flow out.

7. Turn the filter anti-clockwise to remove it.

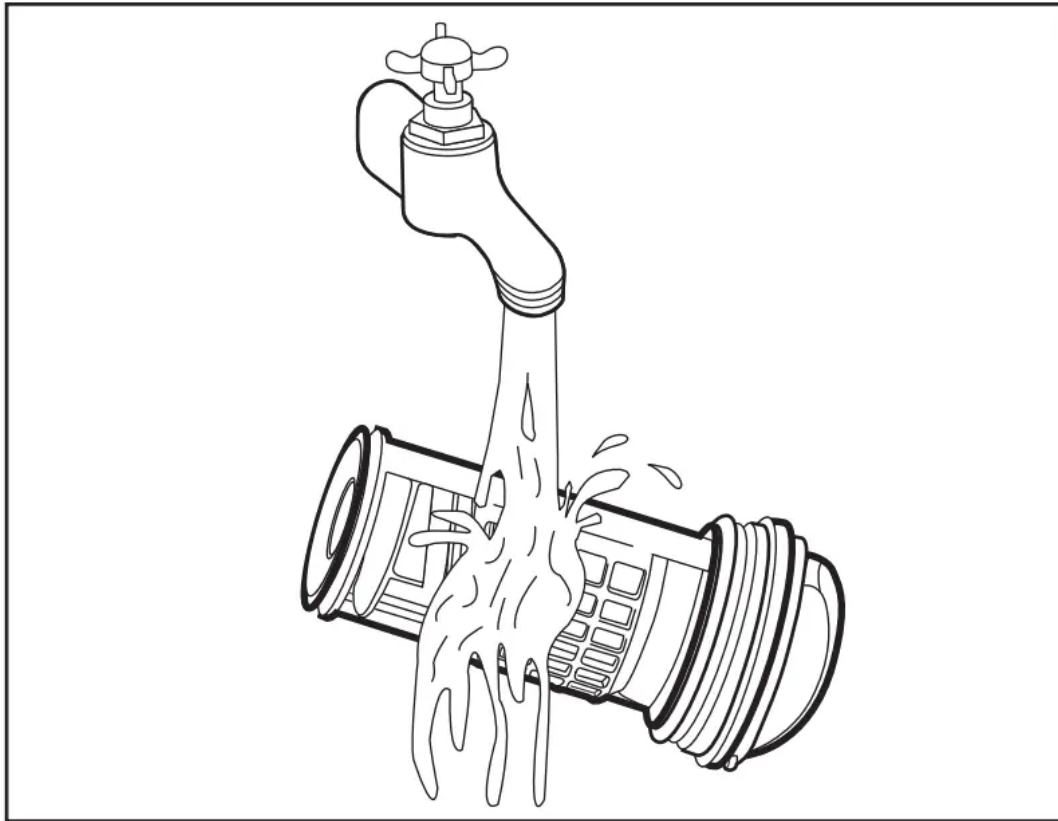


8. If it is necessary, remove fluff and objects from the filter recess.

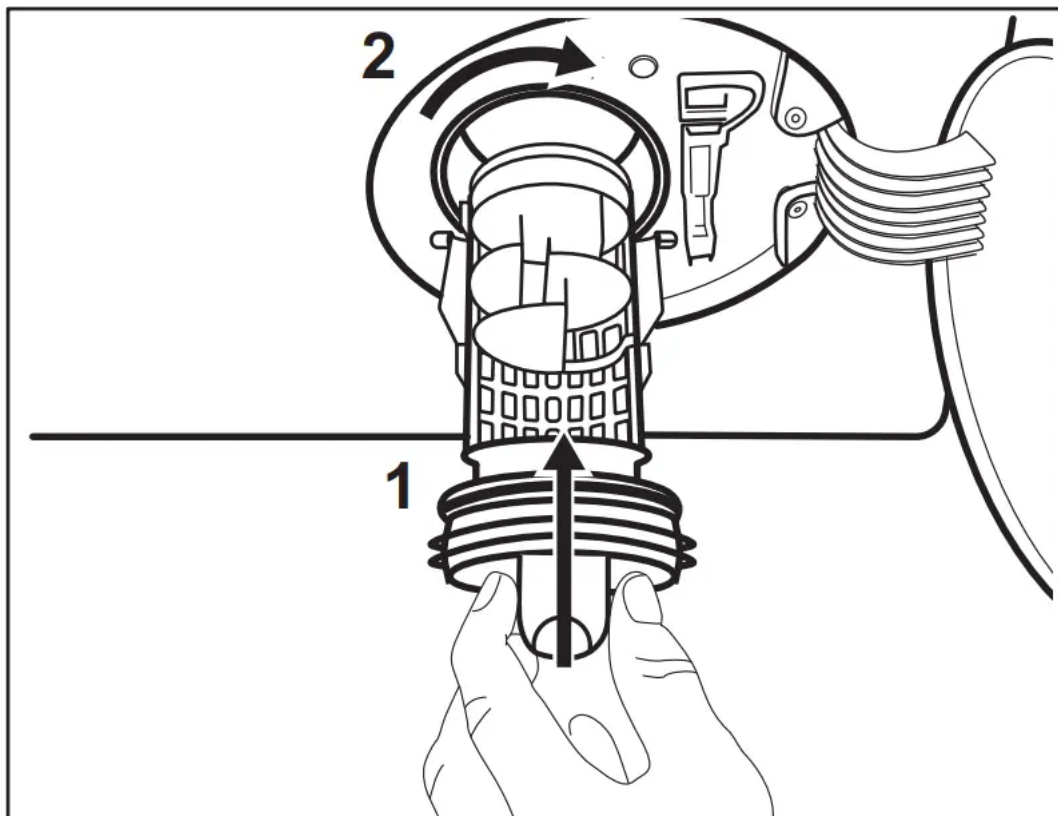
9. Make sure that the impeller of the pump can rotate. If it does not rotate, contact the Authorised Service Centre.



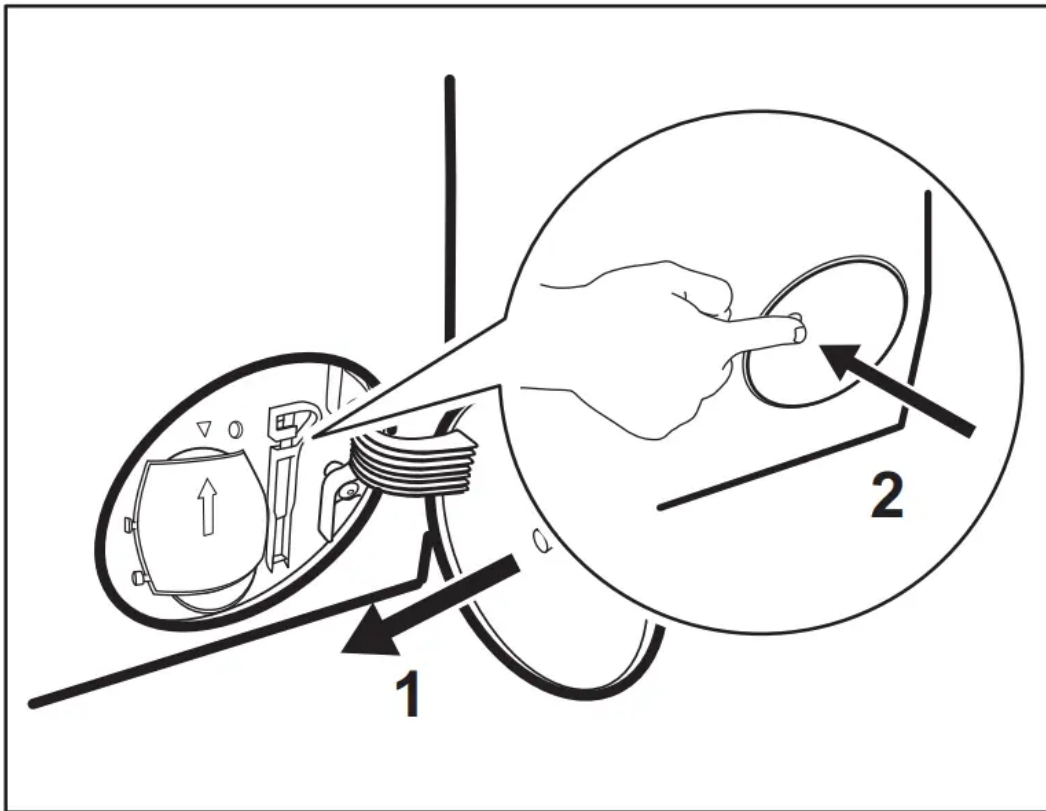
10. Clean the filter under the water tap.



11. Put the filter back into the special guides by turning it clockwise. Make sure that you tighten the filter correctly to prevent leakages.



12. Close the pump cover.



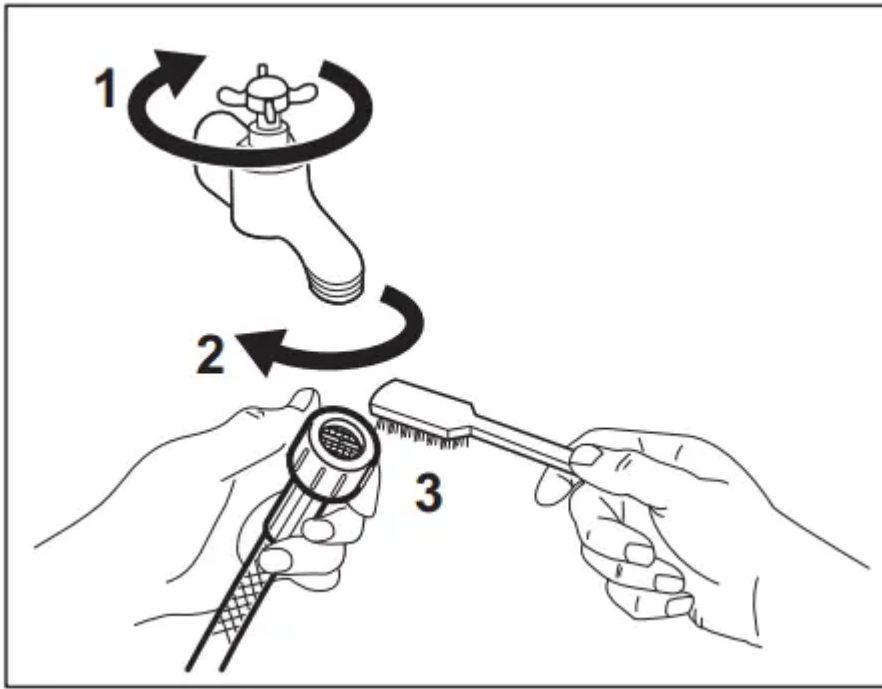
When you drain the water with the emergency drain procedure, you must activate the drain system again:

- a. Put 2 litres of water in the main wash compartment of the detergent dispenser.
- b. Start the programme to drain the water.

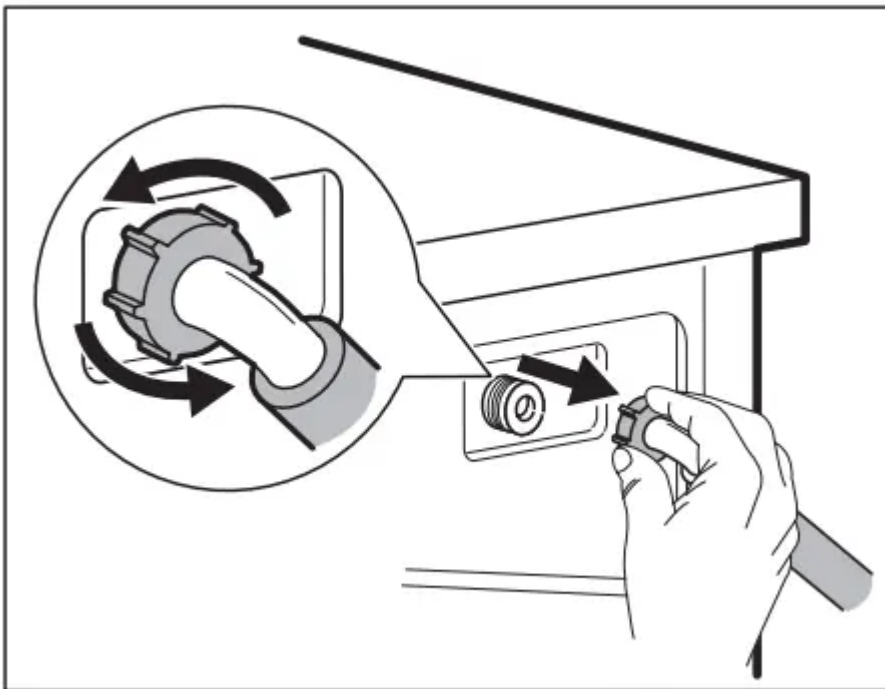
### **Cleaning the inlet hose and the valve filter**

It is recommended to clean both the filters of the inlet hose and valve occasionally to remove any deposit, collected over the time:

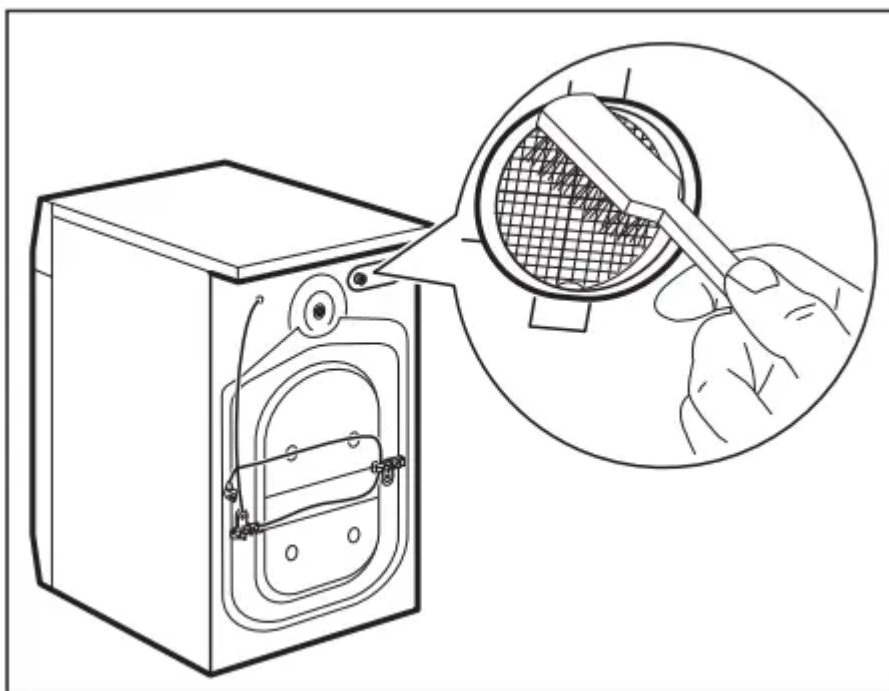
1. Remove the inlet hose from the tap and clean the filter.



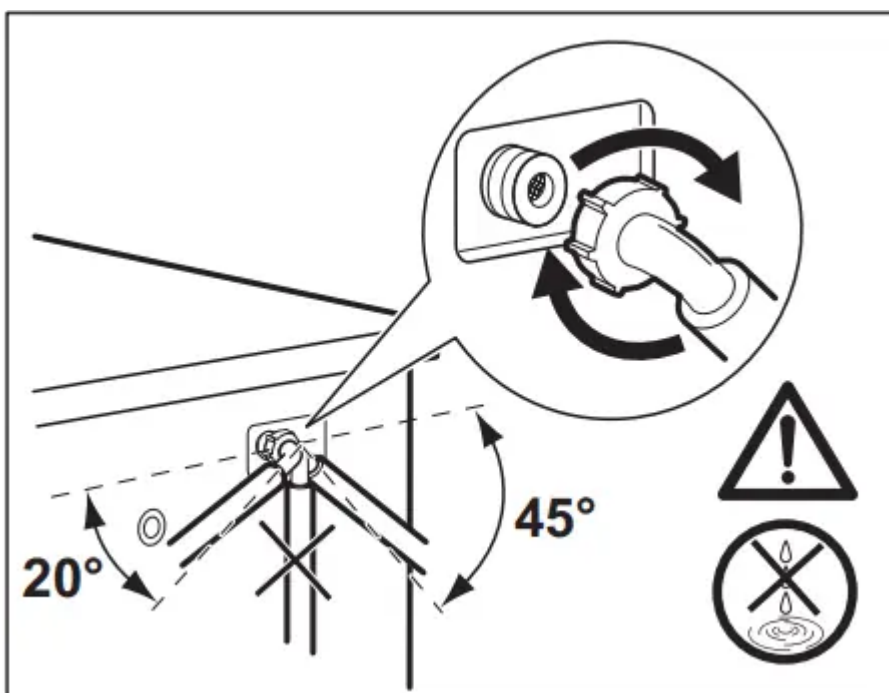
2. Remove the inlet hose from the appliance by loosening the ring nut.



3. Clean the valve filter on the back of the appliance with a toothbrush.



4. When you reconnect the hose to the back of the appliance, turn it left or right (not in vertical position) depending on the position of your water tap.



### Emergency drain

- If the appliance cannot drain the water, carry out the same procedure, described in 'Cleaning the drain pump' paragraph. If necessary, clean the pump.

- When you drain the water with the emergency drain procedure, you must activate the drain system again:
  1. Put 2 litres of water in the main wash compartment of the detergent dispenser.
  2. Start the programme to drain the water.

## Frost precautions

If the appliance is installed in an area where the temperature can reach the values around 0° C or drop below, remove the remaining water from the inlet hose and the drain pump

1. Disconnect the mains plug from the mains socket.
2. Close the water tap.
3. Put the two ends of the inlet hose in a container and let the water flow out of the hose.
4. Empty the drain pump. Refer to the emergency drain procedure.
5. When the drain pump is empty, install the inlet hose again.

WARNING! Make sure that the temperature is higher than 0 °C before you use the appliance again. The manufacturer is not responsible for damages caused by low temperatures.

## TROUBLESHOOTING


### Introduction

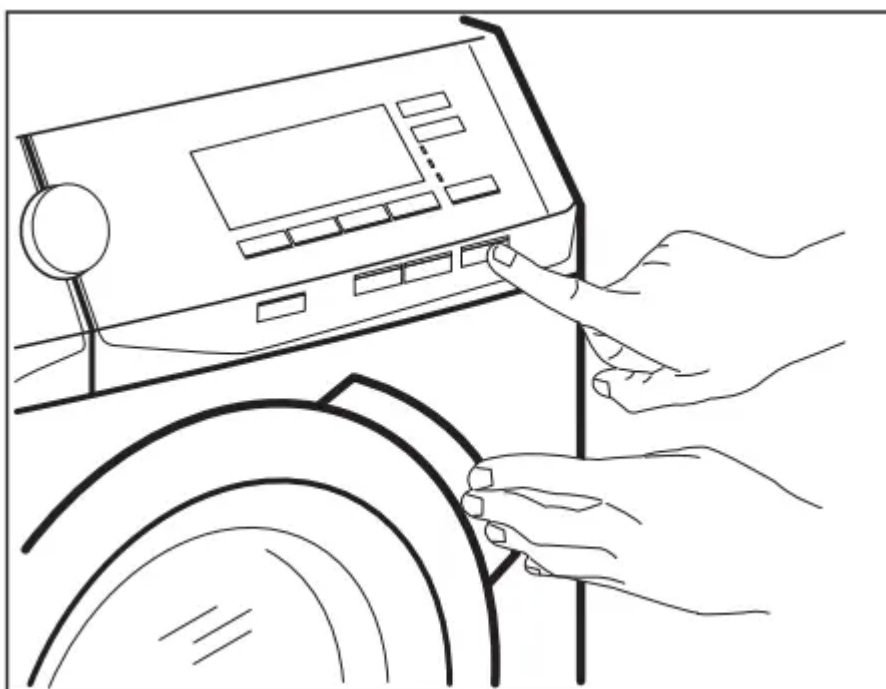
The appliance does not start or it stops during operation.

First try to find a solution to the problem (refer to the table). If the problem persists, contact the Authorised Service Centre.

In case of major problems, the acoustic signals operate, the display shows an alarm code and the Start/Pause button may flash continuously:

- **E10**- The appliance does not fill with water properly. Start the appliance again by pressing Start/Pause button. After 5 seconds the door will be unlocked.
- **E20**- The appliance does not drain the water.
- **E40**- The appliance door is open or not closed correctly. Please check the door!

If the appliance is overloaded, remove some items from the drum and/or keep pressed the door while touching the Start/Pause button until the indicator  stops flashing (see the picture below).



- **E40** - The mains supply is unstable. Wait until the mains supply is stable.
- **E91** - No communication between electronic elements of the appliance. Switch it off and switch on again. The programme was not finished properly or the appliance stopped too early. If the alarm code appears again, contact the Authorised Service Centre
- **EFO** - The anti-flood device is on. Disconnect the appliance and close the water tap. Contact the Authorised Service Centre.

WARNING! Deactivate the appliance before carrying out any check.

## Possible failures

Problem	Possible solution
<p>The programme does not start.</p>	<ul style="list-style-type: none"> <li>• Make sure that the mains plug is connected to the mains socket.</li> <li>• Make sure that the appliance door is closed.</li> <li>• Make sure that there is no damaged fuse in the fuse box.</li> <li>• Make sure that the Start/Pause has been touched.</li> <li>• If the delay start is set, cancel the setting or wait for the end of countdown.</li> <li>• Deactivate the Child Lock function if it is on.</li> </ul>
<p>The appliance does not fill with water properly.</p>	<ul style="list-style-type: none"> <li>• Make sure that the water tap is open.</li> <li>• Make sure that the pressure of the water supply is not too low. For this information, contact your local water authority.</li> <li>• Make sure that the water tap is not clogged.</li> <li>• Make sure that the inlet hose has no kinks, damages or bends.</li> <li>• Make sure that the connection of the water inlet hose is correct.</li> <li>• Make sure that the filter of the inlet hose and the filter of the valve are not clogged. Refer to "Care and cleaning".</li> </ul>
<p>The appliance fills with water and drains immediately</p>	<ul style="list-style-type: none"> <li>• Make sure that the drain hose is in the correct position. The hose may be positioned too low. Refer to "Installation instruction".</li> </ul>



<p>The appliance does not drain the water.</p>	<ul style="list-style-type: none"> <li>• Make sure that the sink spigot is not clogged.</li> <li>• Make sure that the drain hose has no kinks or bends.</li> <li>• Make sure that the drain filter is not clogged. Clean the filter, if necessary. Refer to "Care and cleaning".</li> <li>• Make sure that the connection of the drain hose is correct.</li> <li>• Set the drain programme if you set a programme without drain phase.</li> <li>• Set the drain programme if you set an option which ends with water in the tub.</li> </ul>
<p>The spin phase does not operate or the washing cycle lasts longer than usual.</p>	<ul style="list-style-type: none"> <li>• Set the spin programme.</li> <li>• Make sure that the drain filter is not clogged. Clean the filter, if necessary. Refer to "Care and cleaning".</li> <li>• Adjust manually the items in the tub and start the spin phase again. This problem may be caused by balance problems.</li> </ul>
<p>There is water on the floor.</p>	<ul style="list-style-type: none"> <li>• Make sure that the couplings of the water hoses are tight and there is not water leakages.</li> <li>• Make sure that the water inlet hose and the drain hose have no damages.</li> <li>• Make sure you use the correct detergent and the correct quantity of it.</li> </ul>
<p>You cannot open the appliance door.</p>	<ul style="list-style-type: none"> <li>• Make sure that a washing programme that ends with water in tub, has been selected.</li> <li>• Make sure that the washing programme is finished.</li> <li>• Set the drain or the spin programme if there is water in the drum.</li> </ul>



- Make sure that the appliance receives electrical power.
- This problem may be caused by a failure of the appliance. Contact the Authorised Service Centre.

If you need to open the door, please read carefully "Emergency door opening".



The appliance makes an unusual noise and vibrates.

- Make sure the levelling of the appliance is correct. Refer to "Installation instruction".
- Make sure that the packaging and/or the transit bolts are removed. Refer to "Installation instruction".
- Add more laundry in the drum. The load may be too small.

The programme duration increases or decreases during programme execution.

- The ProSense function is able to adjust the programme duration according to the type and the laundry load size. Refer to "The ProSense load detection" in "Daily Use" chapter.

The washing results are not satisfactory.

- Increase the detergent quantity or use a different detergent.
- Use special products to remove the stubborn stains before you wash the laundry.
- Make sure that you set the correct temperature.
- Decrease the laundry load.
- Make sure that no other type of detergent has been poured the compartment . In this case, refer to "Eliminating detergent or other additives from salt compartment".
- Make sure that no salt has been poured in the compartment . If it happens,

	run a rinse cycle or run the washing cycle again.
Too much foam in the drum during the washing cycle.	<ul style="list-style-type: none"> <li>• Reduce the quantity of detergent.</li> </ul>
Excessive consumption of salt.	<ul style="list-style-type: none"> <li>• Check if the water softener has been set to act also during rinse phase. Refer to "How to set the water hardness level" in "The Water Softener (Soft Water)" chapter.</li> </ul>
Salt is not consumed.	<ul style="list-style-type: none"> <li>• The appliance may need a water softener regeneration: run a long cycle without reducing time. Refer to "Water softener regeneration" in "The Water Softener (Soft Water)" chapter.</li> </ul>

After the check, activate the appliance. The programme continues from the point of interruption. If the problem occurs again, contact the Authorised Service Centre.

If the display shows other alarm codes. Deactivate and activate the appliance. If the problem continues, contact the Authorised Service Centre.

## Emergency door opening

In case of power failure or functioning failure the appliance door remains locked. The washing programme continues when the power is restored. If the door remains locked in case of failure, it is possible to open it using the emergency unlock function.

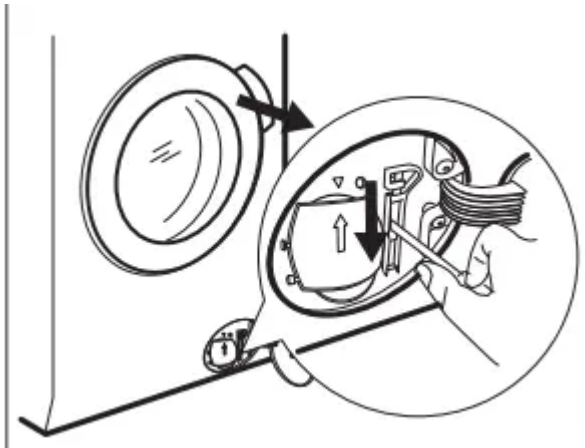
Before opening the door:

**CAUTION!** Risk of burns! Make sure that the water temperature is not too high and the laundry is not hot. If necessary, wait until they cool down.

**CAUTION!** Risk of injury! Make sure that the drum is not rotating. If necessary, wait until the drum stops rotating. Make sure that the water level inside the drum is not too high. If necessary, proceed with an emergency drain (refer to «Emergency drain» in «Care and cleaning» chapter).

To open the door, proceed as follows:

1. Press the On/Off button to switch the appliance off.
2. Disconnect the mains plug from the mains socket.
3. Open the filter flap.
4. Pull the emergency unlock trigger downward once. Pull it downward once again, keep it tensed and, in the meanwhile, open the appliance door.



5. Take out the laundry and then close the appliance door.
6. Close the filter flap.

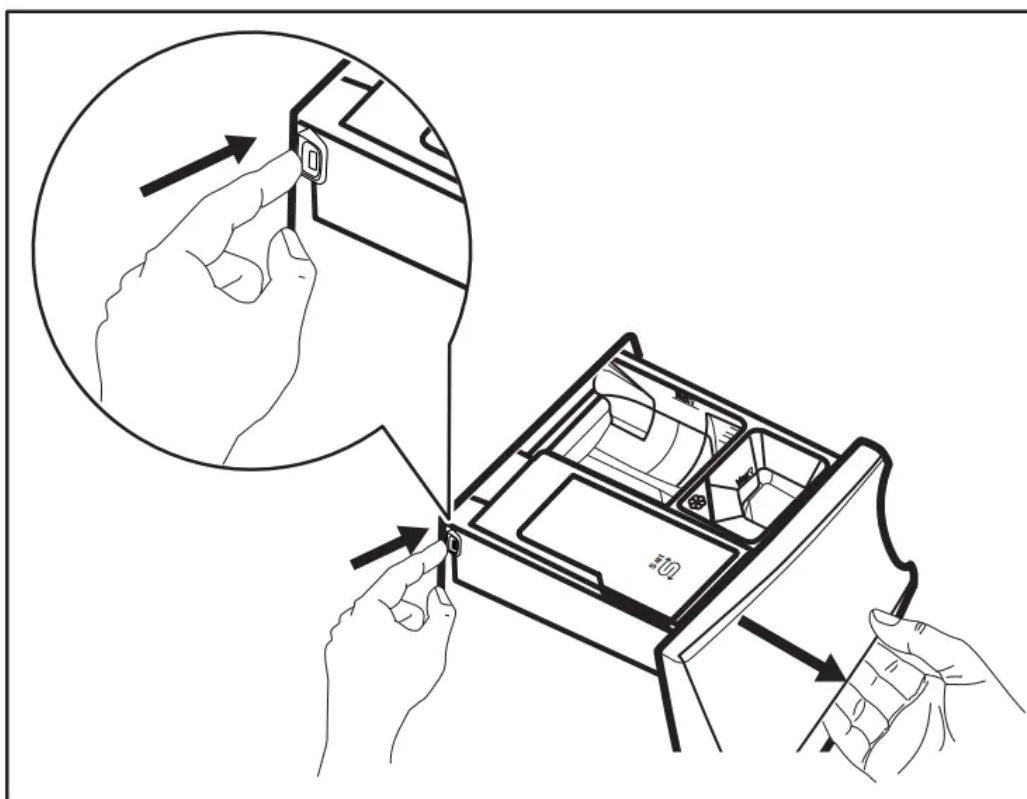
### Eliminating detergent or other additives from salt compartment



Any type of detergent and additives inadvertently poured in the compartment Salt must be eliminated completely. If this happens, please proceed as follows:



1. Pull the drawer out.



2. Eliminate any trace of detergent or additive and clean the compartment thoroughly. 3.

Insert the drawer back and pour salt in the compartment  .

4. Close the drawer.

5. Run a cotton or synthetic cycle, without reducing time, to restore the water softener function.

### Warning

This content is compiled from multiple sources and is provided for reference purposes only. It may not be complete or fully applicable to all situations. If you are unable to resolve your issue, please contact the product manufacturer or an authorized service provider for official support.