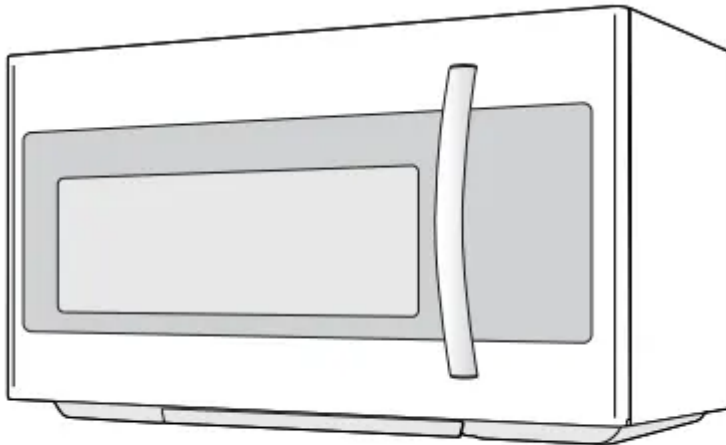


SETTING UP YOUR MICROWAVE OVEN

Checking the parts

Carefully unpack your microwave oven, and make sure you've received all the parts shown below. If your microwave oven was damaged during shipping, or if you do not have all the parts, contact Samsung Customer Service.



Microwave oven (ME21H706MQ*, ME21K6000AS)



*** Shelf**



*** Glass Tray**



*** Roller Guide Ring**



*** Grease filter (Installed)**



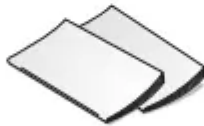
*** Charcoal filter**



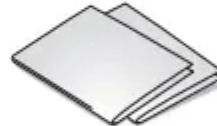
*** Exhaust adaptor**



*** Hardware kit (Screws & Brackets)**



Manuals (User & Installation)



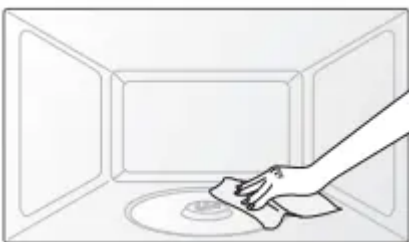
Templates (Top & Wall)



Manual Guide (For IR Sensor)

Setting up your microwave oven

1. Open the door by pulling the handle on the right side of the door.
2. Wipe the inside of the oven with a damp cloth.



3. Install the pre-assembled ring into the indentation at the center of the microwave oven.

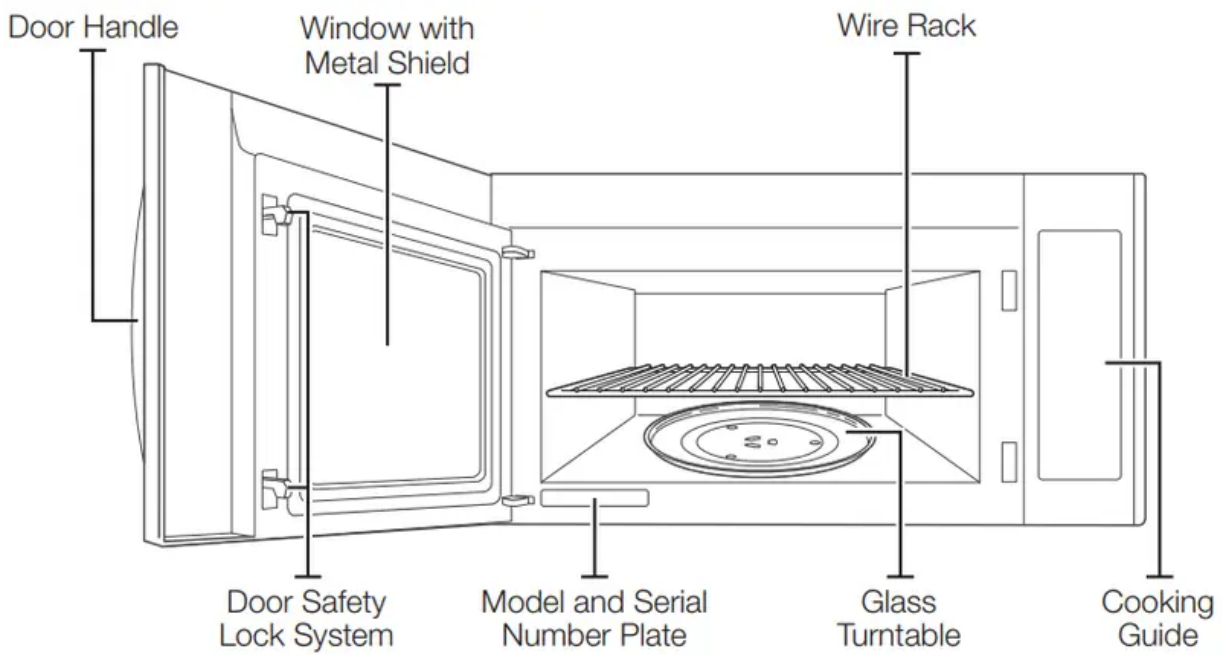




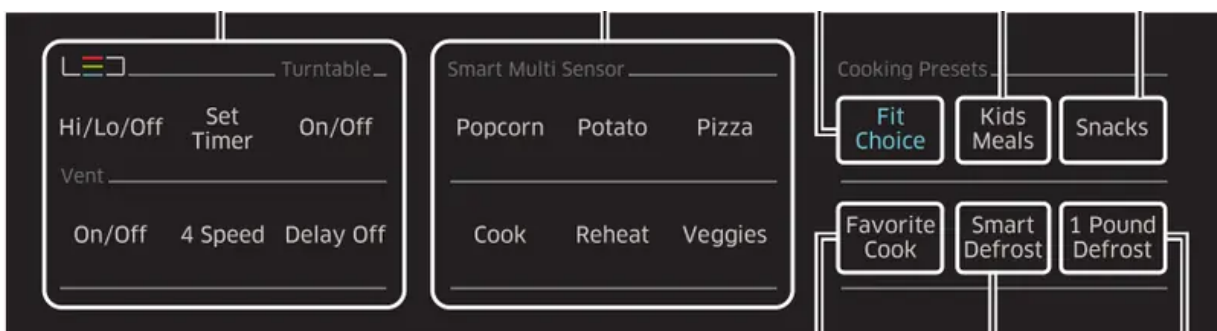
4. Place the glass tray securely in the center of the preassembled roller ring.

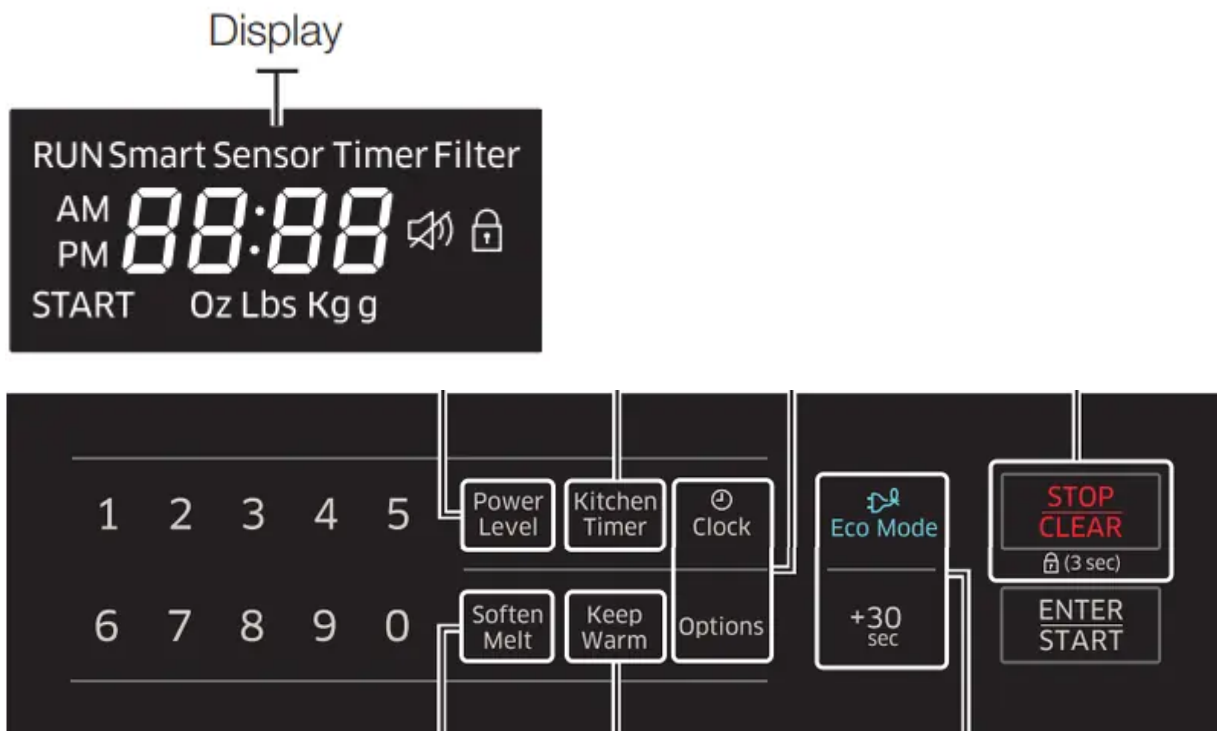


Features



The control panel





Setting the time

Your microwave oven is equipped with a built-in clock. Set the clock when first installing your microwave oven and after a power failure. The time is displayed whenever the microwave oven is not being used.

1. Press the Clock button.
2. Use the number buttons to enter the current time. You need to press at least three numbers to set the clock. For example, if the current time is 5:00, press 5, 0, 0. The display will show: 500.
3. Press the Clock button.
4. Use the Clock button to select AM / PM.
5. Press the ENTER/START button.
6. A colon appears indicating that the time is set.

NOTE: To check the time while cooking, press the Clock button.

Child lock

The Child Lock function allows you to lock the buttons so that the microwave oven cannot be operated accidentally. The oven can be locked at any time.

Activating/Deactivating

If you want to activate or deactivate the child lock function, press the STOP/CLEAR button for 3 seconds. The display will show ON or OFF when the oven is locked or unlocked, and then re-displays the time.

Options

You can customize your new microwave oven to suit your preferences. To customize:

1. Press the Options button.
2. Press the number button that corresponds to the function you want to customize.
3. Press the number that corresponds to the option you want to set.
4. Press the ENTER/START button to set the option.

The functions, options, and corresponding number buttons are listed in the table below.

No.	Function	Options
OP-1	Weight mode selected	1 Lbs. 2 Kg. (Gram)
OP-2	Clock display control	1 12HR 2 24HR
OP-3	Sound on/off control	1 Sound ON 2 Sound OFF
OP-4	Remind end signal	1 ON 2 OFF
OP-5	Daylight Saving time	1 ON 2 OFF
OP-6	Demo mode	1 ON 2 OFF
OP-7	Filter Reminder	1 ON 2 OFF

Filter Reminder

The filter should be cleaned or replaced once every four months. When it is time to clean or replace the filter, the microwave displays the “Filter” message to remind you to clean or replace the filter. To remove the message, touch the number 0 when the microwave is in standby mode, or access Options.

USING YOUR MICROWAVE OVEN

Kitchen timer button

Use the Kitchen Timer for timing up to 99 minutes, 99 seconds.

1. Press the **Kitchen Timer** button.
2. Use the number buttons to set the length of time you want the timer to run.
3. Press the **ENTER/START** button
4. The display counts down and beeps when the time has elapsed.
5. To cancel the timer setting: Press the **STOP/ CLEAR** button once.

Add 30 sec button

This simplified control saves you time, letting you quickly start cooking at 100 % power.

1. Press the **Add 30 sec** button for each 30 seconds you want food to cook. For example, press it twice to cook for one minute, and then press the **ENTER/START** button to start cooking.
2. Add 30 sec to a cooking program already in progress by pressing the **Add 30 sec** button for every additional 30 seconds you want to add.

Vent buttons (4 speed & on/off)

The vent removes steam and other vapors from the cooking surface. You can manually select the vent setting.

1. Press the **Vent 4 Speed** button to set the speed level.
2. Press the **Vent On/Off** button to turn the vent on.
3. Press the **Vent On/Off** button again to turn the vent off.

NOTE: The exhaust fan’s speed will reduce when the oven’s cooking function is activated.

Vent delay off button

Press the **Delay Off** button once to turn the fan off after a certain number of minutes. The number of minutes depends on how many times you press the button.

Press (time)	1	2	3	4	5
Delay off (min)	1	3	5	10	30

Light hi/lo/off button

The **Light** button allows you to select a light setting for your microwave.

Press (time)	1	2	3
Delay off (min)	High	Low	Off

Set timer button

You can set the microwave so the light turns on and off automatically at a preset time. The light comes on at the same time every day until reset.

1. Press the **Set Timer** button.
2. Use the number buttons to set the light on time.
3. Press the **Clock** button to select AM or PM.
4. Press the **ENTER/START** button.
5. Use the number buttons to set the light off time.
6. Press the **Clock** button to select AM or PM.
7. Press the **ENTER/START** button.

Turntable on/off button

For best cooking results, leave the turntable on. However, for large dishes it can be turned off. Press the Turntable On/Off button to turn the turntable on or off.

CAUTION: The turntable may become too hot to touch. Use pot holders to touch the turntable during and after cooking.

Metal shelf

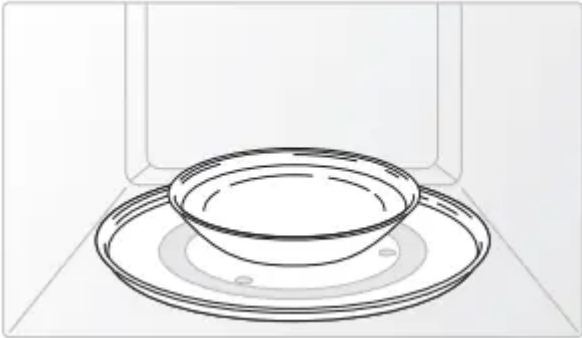
Use the metal shelf to cook more than one item at the same time.

CAUTION:

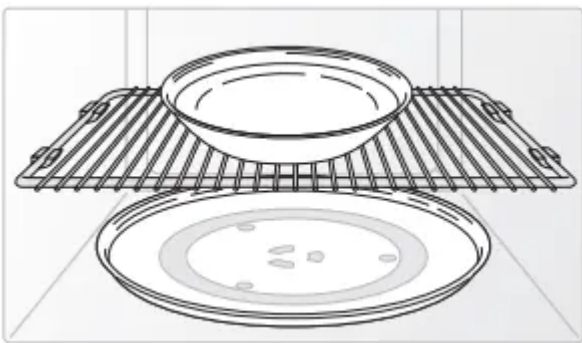
- Do not use a microwave browning dish on the shelf. The shelf could overheat.
- Do not use the oven with the shelf on the microwave floor. This could damage the microwave.
- Use pot holders when handling the shelf as it may be hot.
- Do not use the metal shelf when cooking popcorn.

Food cooks best on the turntable.

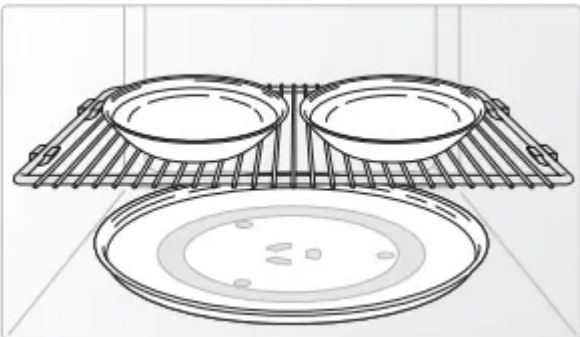
For best result



Uneven result



The shelf gives you the option to reheat more than one dish at the same time.



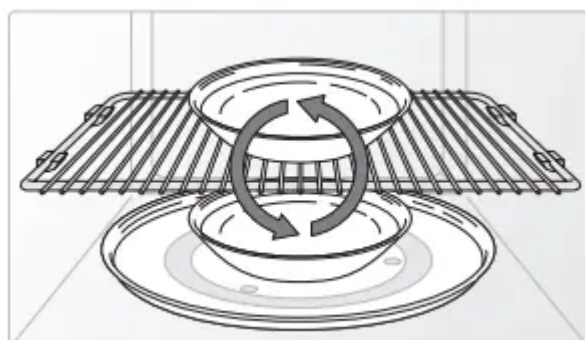
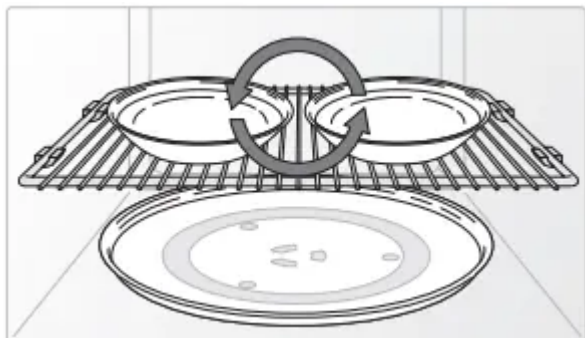
Reheating food

To reheat food on 2 levels or to reheat food on the lower level:



Multiply the reheating time by 1½.

Switch places halfway through the reheating process.



Eco mode

Eco Mode reduces standby power usage.

When you press the **Eco Mode** button once, the display will go out and the microwave shifts to the mode which minimizes power usage.

To cancel the **Eco Mode**, press the **Eco Mode** button once again, or press any other button.

Smart multi sensor cooking buttons

Smart Multi Sensor Cooking lets you cook your favorite foods automatically, with the press of a button. When you activate Smart Multi Sensor Cooking, the microwave's Smart Multi Sensor detects the temperature of the food while it cooks and automatically shuts the microwave off when it detects that the food has been cooked to the ideal temperature.

CAUTION: Do not use the **Smart Multi Sensor Cooking** buttons continuously. The oven must cool for 5 minutes between uses or the food will overcook.

Smart Multi Sensor cooking utensils & covers

CAUTION:

- Always use microwave-safe containers and abide by the cautions listed in the Safety Information section in this manual. When using plastic wrap, turn back one corner to allow steam to escape or pierce the plastic in several places.

- Fill containers at least half full.

NOTE:

- Do not use the Smart Multi Sensor cooking feature continuously. Wait 5 minutes before selecting another sensor cooking operation.
- For the best cooking results, do not use the Smart Multi Sensor when the ambient room temperature is too high or too low.
- Install the oven in a well ventilated location for proper cooling and airflow and to ensure the sensor will operate accurately.
- Always keep the inside of the oven clean. Wipe all spills with a damp cloth. This oven is designed for household use only.
- For the best cooking results, food or cookware should be placed in the center of turntable.
- For the best cooking results, food should weigh more than 1/2 pounds.
- For the best cooking results, avoid microwaving long, thin foods and microwaving food in straight-sided containers with narrow necks such as bottles and jars.
- For the best cooking results, do not cover food with lids not recommended in this manual.
- When you use Smart Multi Sensor Cooking, follow the wrapping guide below. Otherwise, the food may not cook properly.

Smart defrost button

To thaw frozen foods, enter the weight of the food, and the microwave automatically sets the defrosting time, power level, and standing time. Press **ENTER/START** button to start defrosting.

1. Press the **Smart Defrost** button.
2. Press the **Smart Defrost** button repeatedly or the number buttons (1-7) to select the menu that corresponds to the food you are defrosting and the weight of the food. For example, select dF-1 to defrost .5 to .9 lbs of ground meat.
3. Press the **ENTER/START** button.
4. Whenever the microwave beeps during the defrosting process, open the microwave's door, turn the food over, and then press the **ENTER/START** button to continue defrosting.

Fit choice button

1. Press the **Fit Choice** button. Press the button repeatedly to cycle through the available items.
2. Press the **1, 2, 3, or 4** button to select the amount.

3. Press the **ENTER/START** button to begin cooking.

1 Pound defrost button

To thaw 1 lb. of frozen food, press this button, and the microwave automatically sets the defrosting time, power level and standing time.

1. Press the **1 Pound Defrost** button. The display shows: 1.0 Lbs
2. Press the **ENTER/START** button to start defrosting.
3. The oven will beep during the defrosting process. Open the oven door, turn the food over, and then press the **ENTER/START** button.
4. If you do not turn the food over, the oven will pause until you press the **ENTER/START** button.

Soften/melt button

1. Press the **Soften/Melt** button. Press the button repeatedly to cycle through the available items.
2. Press the number **1** or **2** button to select the amount.
3. Press the **ENTER/START** button to begin cooking.

Kids meals button

1. Press the **Kids Meals** button. Press the button repeatedly to cycle through the available items.
2. Press the number **1** or **2** button to select the amount.
3. Press the **ENTER/START** button to begin cooking.

Snacks button

1. Press the **Snacks** button. Press the button repeatedly to cycle through the available items.
2. Press the number **1** or **2** button to select the serving size.
3. Press the **ENTER/START** button to begin cooking.

Microwave cooking times & Power levels

Your oven allows you to set two different cooking stages, each with its own time length and power level. The power level lets you control the heating intensity from Warm (1) to High (10).

One-stage cooking

For simple, one-stage cooking, you only need to set the cooking time. The power level is automatically set to High. If you want to set the power level to any other level, use the **Power Level** button.

1. Use the number buttons to set a cooking time. You can enter a time from one second to 99 minutes and 99 seconds. To select a time greater than one minute, enter the seconds too. (For example, to set a cooking time of 20 minutes, enter **2, 0, 0, 0**.)
2. If you want to set the power level to a level other than High, press the **Power Level** button, and then use the number buttons to enter the power level.
3. Press the **ENTER/START** button to begin cooking. If you want to change the power level, press the **STOP/ CLEAR** button before you press the **ENTER/START** button, and then enter all the instructions again.

NOTE: Some recipes require different cooking stages at different temperatures. Your microwave allows you to set multiple cooking stages.

Multi-stage cooking

1. Follow steps 1 and 2 from the “One-stage cooking” section.

NOTE:

- When selecting more than one cooking stage, you must press the **Power Level** button before you can enter the second cooking stage.
- Press the **Power Level** button twice to set the power level to High for a cooking stage.

2. Use the number buttons to set a second cooking time.
3. Press the **Power Level** button, and then use the number buttons to set the power level for the second cooking stage.
4. Press the **ENTER/START** button to begin cooking.

Power Levels

The 10 power levels allow you to choose the optimal power level for your cooking needs.

1	Warm	6	Simmer
2	Low	7	Medium high
3	Defrost	8	Reheat
4	Medium low	9	Sauté
5	Medium	10	High

Keep warm

You can keep cooked food warm in your microwave oven for up to 99 minutes 99 seconds.

1. Press the **Keep Warm** button.
2. Enter the warming time.
3. Press the **ENTER/START** button.

NOTE:

- Keep Warm operates for up to 99 minutes 99 seconds.
- Food that is cooked covered should also be covered during Keep Warm.
- Pastry items (pies, turnovers, etc.) should be uncovered during Keep Warm.
- Complete meals kept warm on a dinner plate can be covered during Keep Warm.

Below are the amounts of food we recommend you apply the Warm and Hold function to by Food Type.

Food type	Recommended Quantity
Liquid	1 - 2 cups
Dry	5 - 10 oz.

Favorite cook button

The **Favorite Cook** button lets you store a customized set of cooking instructions, and recall this setting later from the microwave's memory to begin cooking quickly.

NOTE: Only one set of instructions can be stored at a time.

1. Press the **Favorite Cook** button.
2. Use the number buttons to enter the cooking time. The display will show the set time.

3. Press the **Power Level** button and use the number buttons to enter the power level. The display will show the selected power level. You can set the power level from 0 to 9. If you do not set the **Power Level**, the oven sets itself to the highest level automatically.
4. Press the **ENTER/START** button again.
5. To retrieve a Favorite Cook setting, press the **Favorite Cook** button, then press the **ENTER/START** button. You can only recall one stored Custom Cook setting at a time.
6. If you want to set a new time and power level, repeat steps 1~5.

NOTE: You can check the power level anytime while cooking by pressing the **Power Level** button.

CLEANING AND MAINTAINING YOUR MICROWAVE OVEN

Keeping your microwave oven clean improves its performance, wards off unnecessary repairs, and lengthens its life.

Cleaning the exterior

It's best to clean spills on the outside of your microwave oven as they occur. Use a soft cloth and warm, soapy water. Rinse and dry.

CAUTION: Do not get water into the vents. Never use abrasive products or chemical solvents such as ammonia or alcohol as they can damage the appearance of your microwave.

Cleaning under your microwave oven

Regularly clean grease and dust from the bottom of your microwave using a solution of warm water and detergent.

Cleaning the control panel

Wipe with a damp cloth and dry thoroughly. Do not use cleaning sprays, large amounts of soap and water, abrasives, or sharp objects on the panel as it is easily damaged.

Cleaning the door and door seals

Always ensure that the door seals are clean and that the door closes properly. Take particular care when cleaning the door seals to ensure that no particles accumulate and prevent the door from closing correctly. Wash the glass door with very mild soap and water. Be sure to use a soft cloth to avoid scratching.

If a thin film of water accumulates on the inside or outside of the oven door, wipe it off with a soft cloth. A thin water film can accumulate when you operate the oven at high humidity and in no way indicates microwave leakage.

Cleaning the interior

CAUTION:

- Ensure that the microwave oven has cooled down before cleaning it to avoid injury.
- Remove the glass tray from the oven when cleaning the oven or tray. To prevent the tray from breaking, handle it with care and do not put it in water immediately after cooking. Wash the tray carefully in warm sudsy water or in the dishwasher.

Clean the interior surfaces (oven cavity) of your microwave oven periodically to remove any splashes or stains. To remove hardened food articles and remove smells, place 2 cups of water (add lemon juice for extra freshness) into a four-cup measuring glass. Run the microwave at High power for 5 minutes or until the water boils. Let water stand in the oven for one or two minutes.

Cleaning the turntable and roller rings

Clean the roller rings periodically and wash the turntable as required. You can wash the turntable safely in your dishwasher.

Storing and repairing your microwave oven

If you need to store your microwave oven for a short or extended period of time, choose a dust-free, dry location. Dust and dampness may adversely affect the ability of the microwave parts.

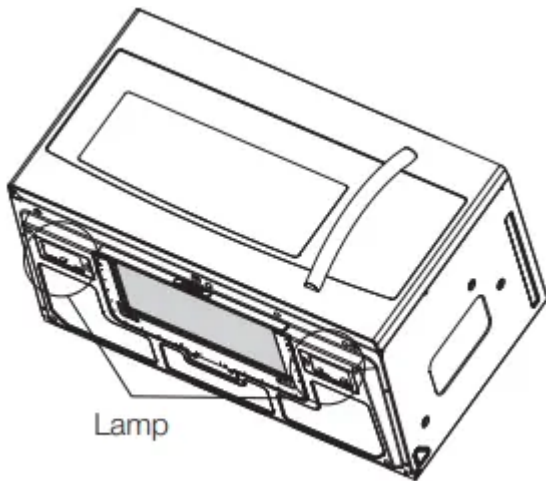
WARNING:

- Do not repair, replace, or service any part of your microwave oven yourself. Allow only a qualified service technician to perform repairs. If the oven is faulty and needs servicing, or you are in doubt about its condition, unplug the oven from the power outlet and contact your nearest service center.
- Do not use the oven if it is damaged, in particular, if the door or door seals are damaged. Door damage includes a broken hinge, a worn out seal, or a distorted/bent casing.
- Do not remove the oven from its casing.
- This microwave oven is for home use only and is not intended for commercial use.

Replacing the cooktop/night light

When replacing the cooktop/night light, make sure that you are wearing gloves to avoid injury from the heat of the lamp.

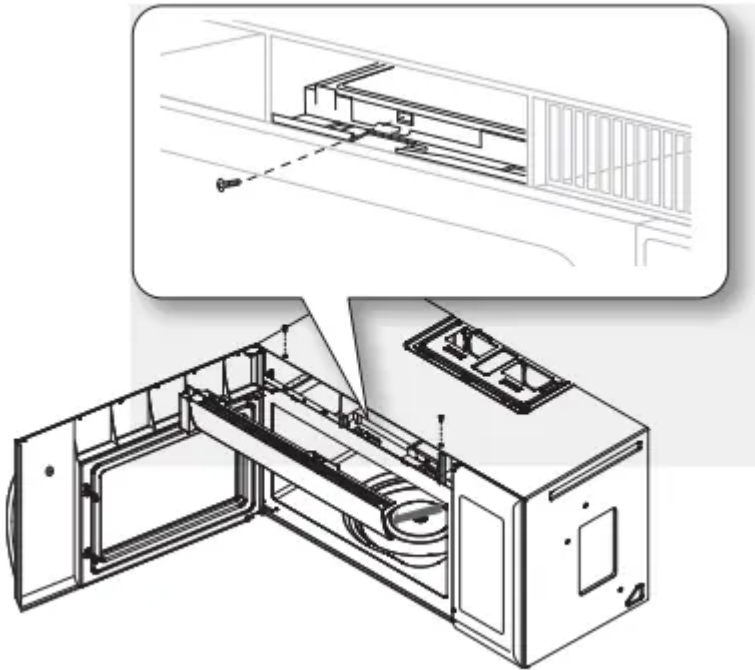
1. Unplug the oven or turn off the power at the main power supply.
2. Remove the screw from the light cover and lower the cover.
3. Replace the lamp with a LED PBA.
4. Replace the light cover and mounting screw.
5. Turn the power back on at the main power supply.



Replacing the oven light

When replacing the oven light, make sure that you are wearing gloves to avoid injury from the heat of the lamp.

1. Unplug the oven or turn off the power at the main power supply.
2. Open the door.
3. Remove the vent cover mounting screws (2 middle screws).
4. Slide the vent grille to the left, then pull it straight out.
5. Remove the charcoal filter, if present.
6. Remove the screw securing the lamp cover.
7. Remove the lamp by pulling it out gently.
8. Replace the lamp with a 50 watt halogen lamp.
9. Replace the lamp holder.
10. Replace the vent grille and re-insert the 2 screws.
11. Plug the oven in or turn on the power at the main power supply. Reset the clock.



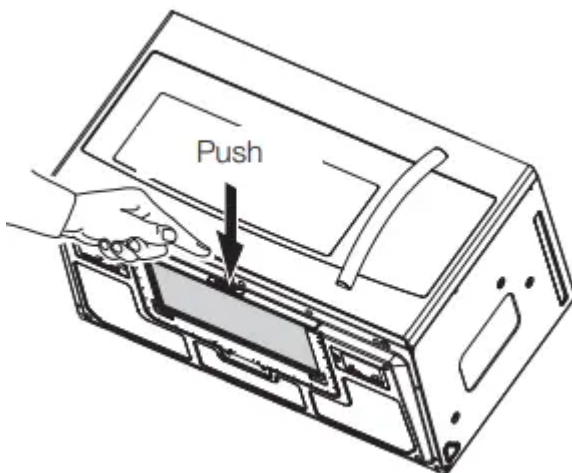
Cleaning the grease filter

Your microwave oven has reusable grease filter. The grease filters should be removed and cleaned at least once every four month, or as required.

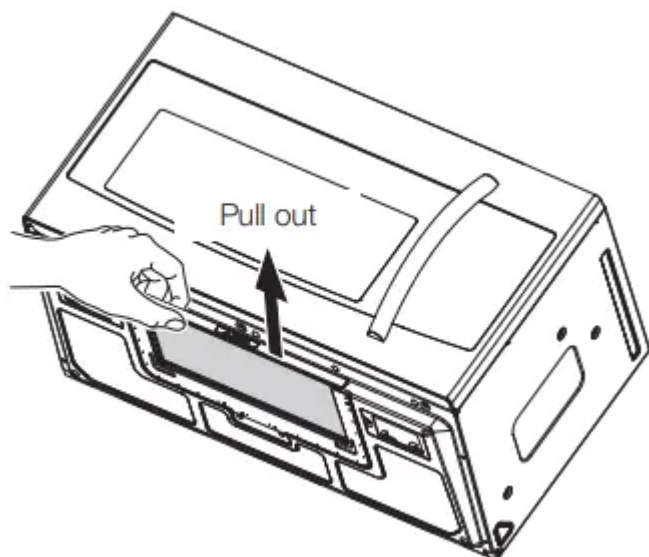
NOTE: Your microwave oven has a filter reminder function.

WARNING: To avoid risk of personal injury or property damage, do not operate the oven hood without the filters in place.

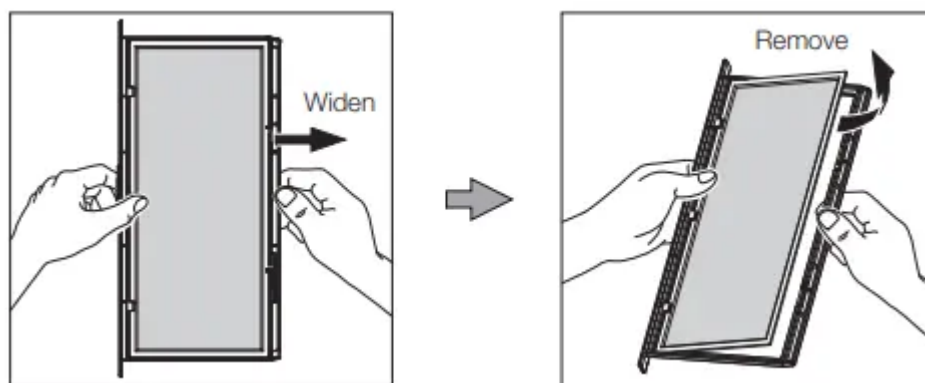
1. To remove the filter, push the front of the grease filter case.



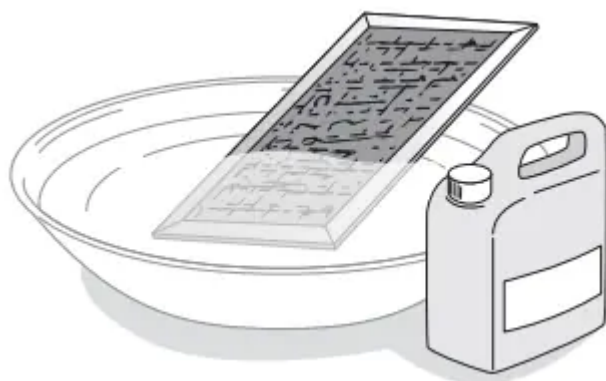
2. Pull the filter case out of the microwave oven.



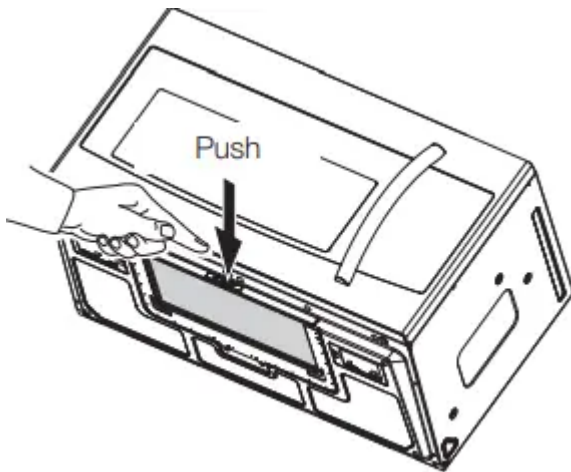
3. Remove the filter from the filter case by widening the case, as shown below. Then, soak the grease filter in hot water mixed with a mild detergent. Rinse well and shake to dry. If necessary, brush the filter lightly to remove embedded dirt. When the filter is dry, put it back in the filter case.



WARNING: Do not use ammonia or put the grease filter in the microwave oven. The aluminum will darken.



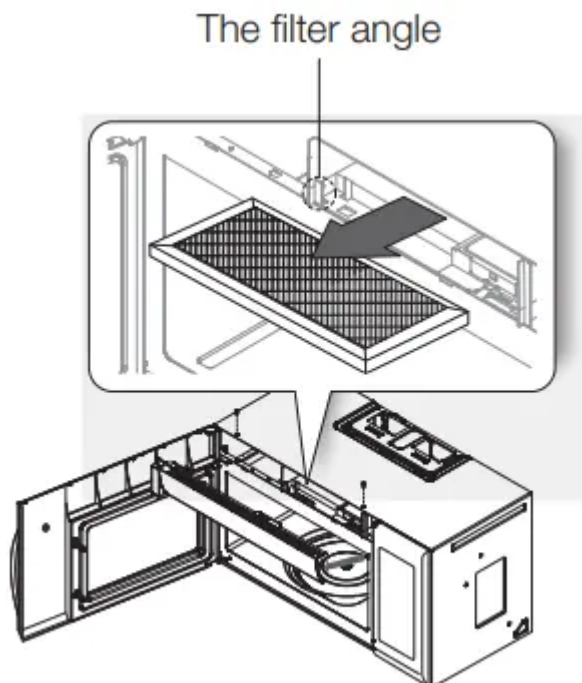
4. To re-install the filter, slide the filter case into the frame slot, and then push it inside.



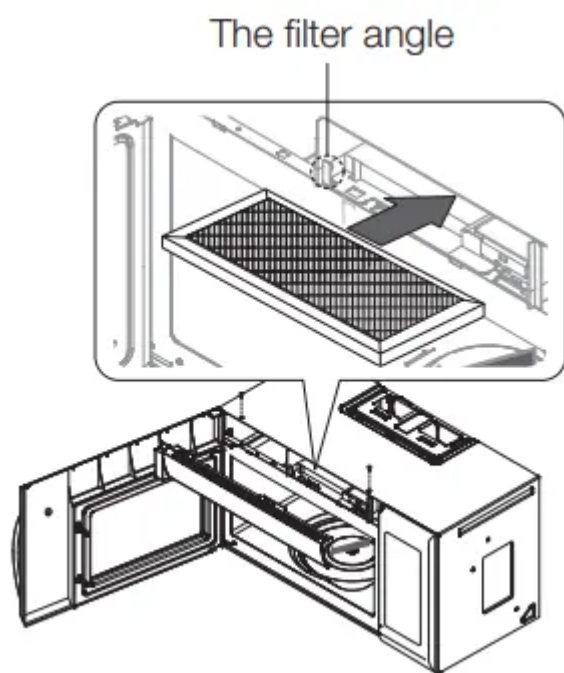
Replacing the charcoal filter

If your oven is vented to the inside, the charcoal filter should be replaced every 6 to 12 months and more often if necessary. The charcoal filter cannot be cleaned.

1. Unplug the oven or turn off the power at the main power supply.
2. Open the door.
3. Remove the vent grille mounting screws (2 middle screws).
4. Slide the vent grille to the left, then pull it straight out.
5. Push the hook and remove the old filter.



6. Slide a new charcoal filter into place. The filter should rest at the angle shown.
7. Replace the vent grille and 2 screws and close the door. Turn the power back on and set the clock.



TROUBLESHOOTING

Check these solutions if you have a problem with your microwave:

Problem	Solution
The display and/or the oven is not working.	<p>Make sure the plug is properly connected to a grounded outlet. If the wall outlet is controlled by a wall switch, make sure the wall switch is turned on.</p> <p>Remove the plug from the outlet, wait ten seconds, and plug it in again. Reset the circuit breaker or replace any blown fuses.</p> <p>Plug a different appliance into the outlet. If the other appliance doesn't work, call a qualified electrician to repair the wall outlet.</p> <p>Plug the oven into a different outlet.</p>
The display is working, but the power won't come on.	<p>Make sure the door is closed securely. Check if any packaging material or anything else is stuck in the door seal. Check if the door is damaged. Touch Cancel twice and enter all the cooking instructions again.</p>
Is the power going off before the set time has elapsed?	<p>If there was a power outage, the time indicator will display: 88:88.</p> <p>If no power outage occurred, remove the plug from the outlet, wait ten seconds, and plug it in again.</p> <p>Reset the clock and any cooking instructions.</p> <p>Reset the circuit breaker or replace any blown fuses.</p>
Cooks food too slowly.	<p>Make sure the oven has its own 20 amp circuit line. Operating another appliance on the same circuit can cause a voltage drop. If necessary, move the oven to its own circuit.</p>
Has sparks or arcing.	<p>Remove any metallic utensils, cookware, or metal ties. If using foil, use only narrow strips and allow at least one inch between the foil and the interior oven walls.</p>
The turntable makes noise or becomes stuck.	<p>Clean the turntable, roller ring, and oven floor.</p> <p>Make sure the turntable and roller ring are positioned correctly</p>



Causes TV or radio interference.	This is similar to interference caused by other small appliances, such as hair dryers. Move your microwave (or appliance) away from appliances, such as your TV or radio.
Vent Motor suction force is too weak.	Set the vent mode to high. The Vent Fan will only operate in low speed mode while the microwave is working.
Operating noise is too loud.	The MWO makes noise during operation. This is normal.
Cook top lamp is too dim.	Set the lamp brightness level to high.
Difficult to replace Charcoal Filter.	Please refer to the instructions for replacing the charcoal filter in the user's manual.
Turntable rotates improperly	Make sure you have not put too much food on the turntable. If the food is too large or too heavy, the turntable may operate improperly.

Warning

This content is compiled from multiple sources and is provided for reference purposes only. It may not be complete or fully applicable to all situations. If you are unable to resolve your issue, please contact the product manufacturer or an authorized service provider for official support.

