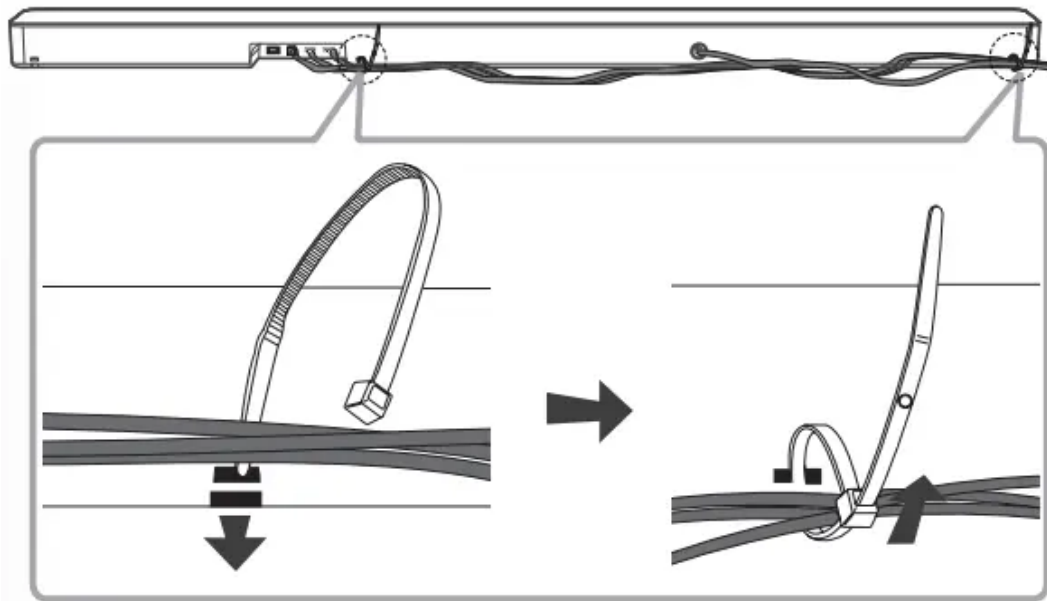


## CONNECTING

### Organizing cables (Optional)

You can organize the cable with cable ties.

1. Hold the cables together with cable ties as shown below.
2. Tighten cable ties



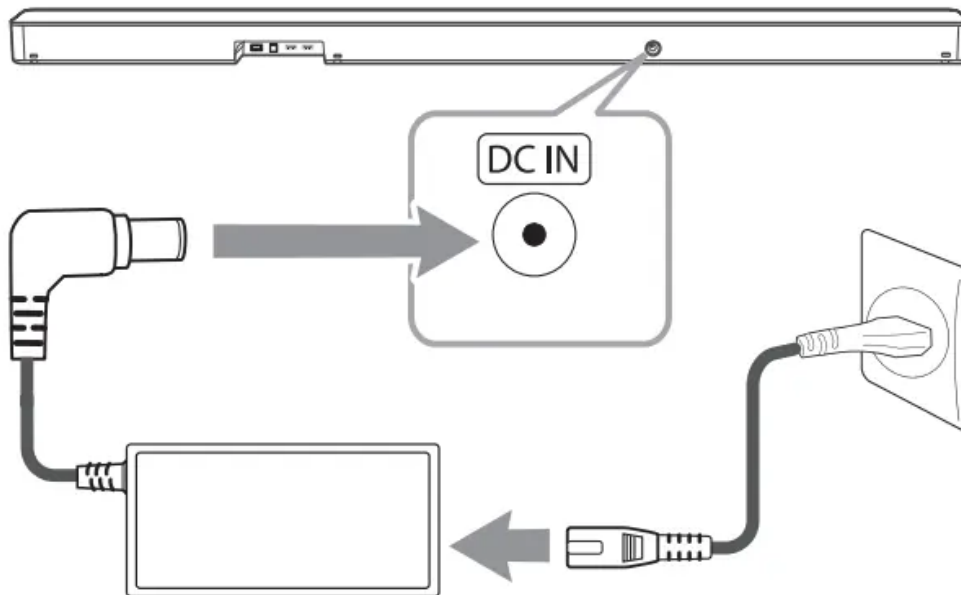
#### Note

- After all connections are completed, you can arrange cables as needed.
- Cable ties are not provided.

### Connecting the AC Adapter

Connect the unit to the power supply with the supplied AC adapter.

1. Connect the supplied AC power cord to the AC adapter.
2. Connect the AC adapter cable to DC IN adapter input.
3. Plug the AC power cord into an AC outlet.



**Caution** Only use the AC adapter supplied with this device. Do not use a power supply from another device or manufacturer. Using any other power cable or power supply may cause damage to the device and void your warranty.

## Wireless subwoofer and rear speaker (Sold Separately) connection

### Wireless subwoofer connection

*LED indicator of wireless subwoofer*

LED Color	Status
Green (Blink)	The connection is trying.
Green	The connection is completed.
Red	The wireless subwoofer is in standby mode or the connection is failed.
Off (No display)	The power cord of wireless subwoofer is disconnected.

*Setting up the wireless subwoofer for the first time*

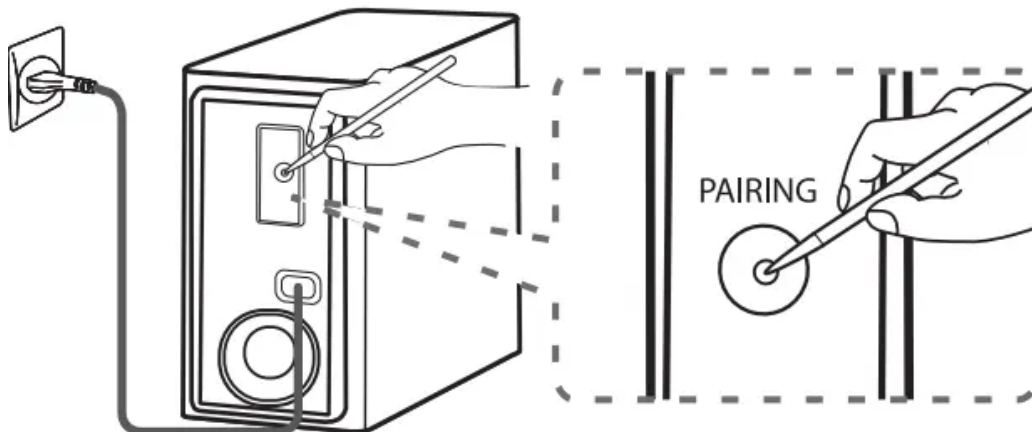
1. Connect the power cord of the sound bar and the wireless subwoofer to the outlet.
2. Turn on the sound bar. The sound bar and the wireless subwoofer will be automatically connected.

- Green LED on the rear of wireless subwoofer turns on.

#### *Manually pairing wireless subwoofer*

When your connection is not completed, you can check red LED on the wireless subwoofer and the wireless subwoofer does not make sound. To solve the problem, follow the steps below.

1. Press PAIRING on the rear of the wireless subwoofer



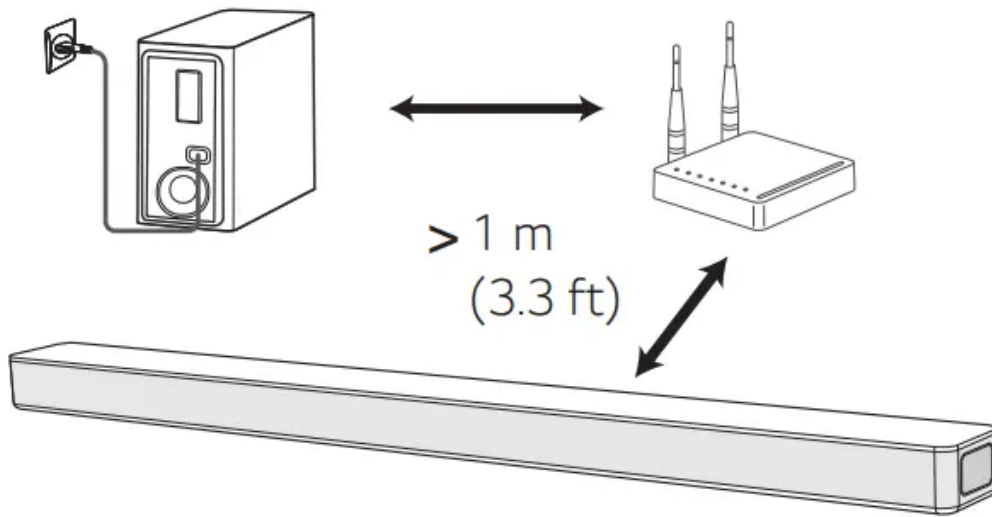
- The green LED on the rear of the wireless subwoofer blinks quickly. (If the green LED does not blink, press and hold the PAIRING.)

2. Turn on the sound bar.

- Pairing is completed. The green LED on the rear of the wireless subwoofer turns on.

#### **Note**

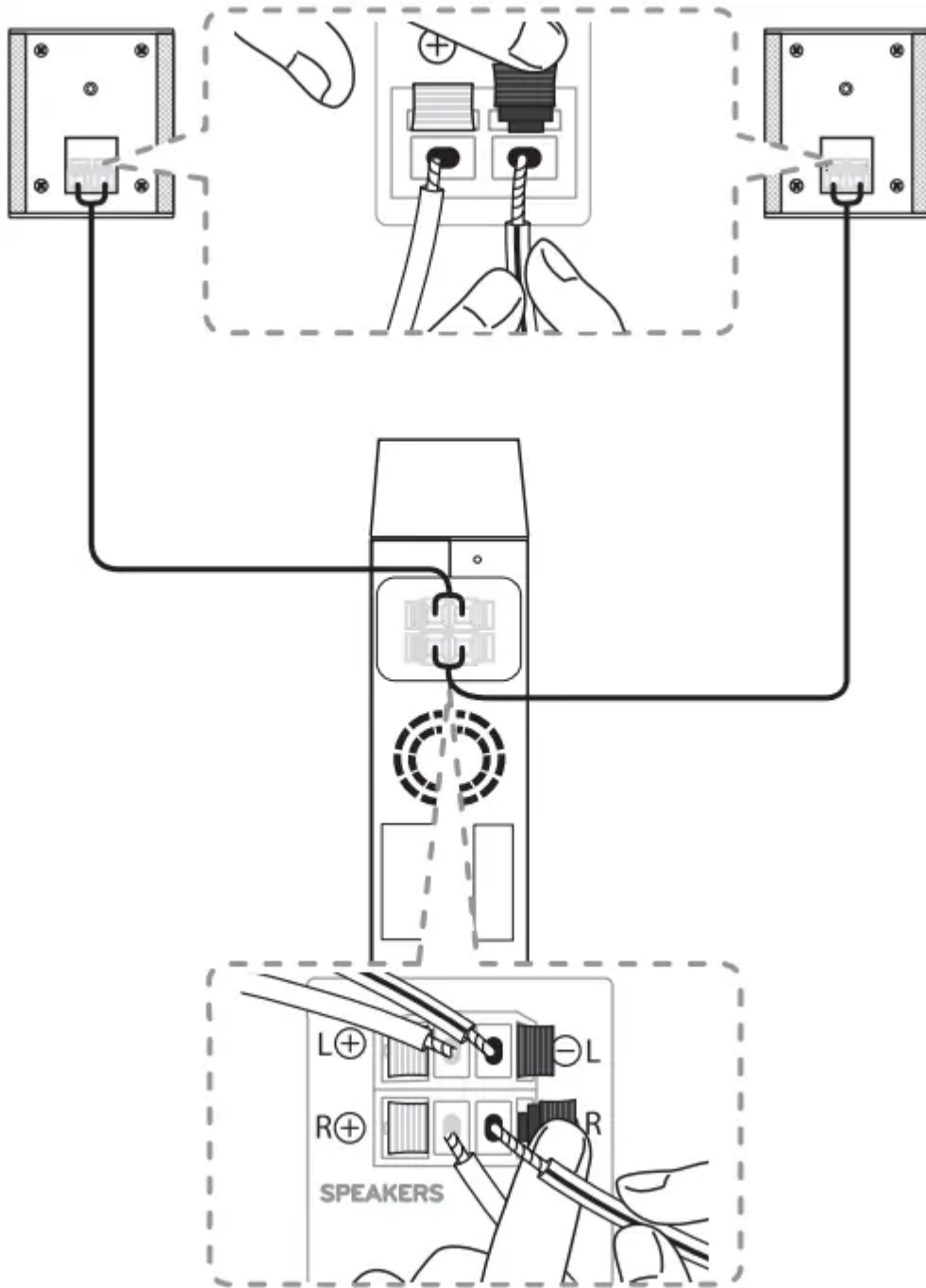
- It takes a few seconds (and may take longer) for the main unit and the subwoofer to communicate with each other and make sounds.
- The closer the main unit and the subwoofer, the better sound quality. It is recommended to install the main unit and the subwoofer as close as possible and avoid the cases below.
  - There is an obstacle between the main unit and the subwoofer.
  - There is a device using same frequency with this wireless connection such as a medical equipment, a microwave or a wireless LAN device.
  - Keep the sound bar and the subwoofer away from the device (ex. wireless router, microwave oven, etc.) over 1 m (3.3 ft) to prevent wireless interference.



## Rear speakers connection (Sold Separately)

### Connecting the rear speakers

1. Connect the black stripe wire to the terminal marked - (minus) and the other end to the terminal marked + (plus)



2. Connect the wireless receiver and the rear speakers (left, right) with the speaker cables

Color	Position
Blue	Rear left
Grey	Rear right

**LED indicator of wireless receiver**



LED Color	Status
Yellow - green (Blink)	The connection is trying.
Yellow - green	The connection is completed.
Red	The wireless receiver is in standby mode or the connection is failed.
Off (No display)	The power cord of wireless receiver is disconnected.

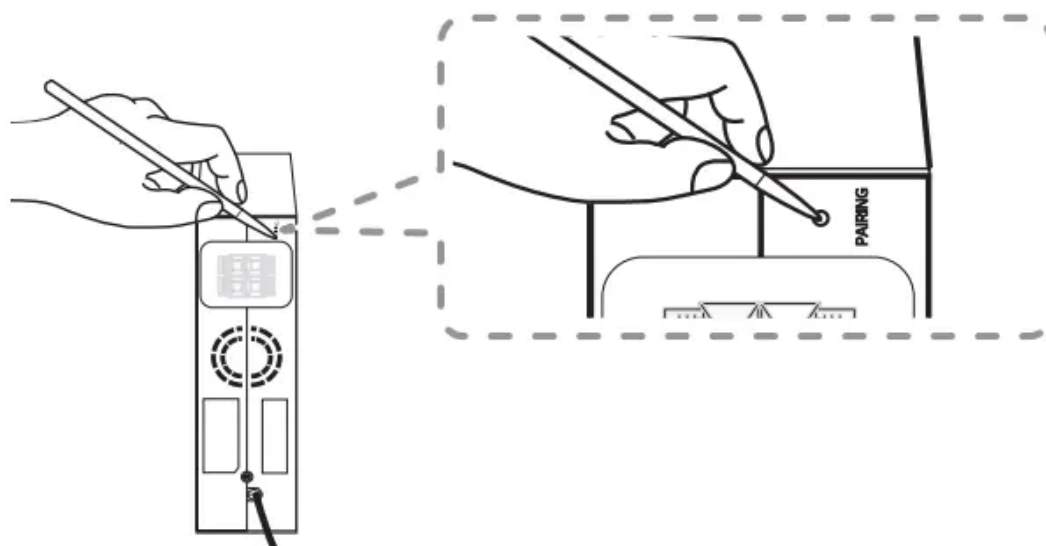
### Setting up the wireless receiver for the first time

1. Connect the power cord to the wireless receiver to the outlet.
2. Turn on the main unit : The sound bar and wireless receiver will be automatically connected. - Yellow - green LED on the wireless receiver turns on.

### Manually pairing wireless receiver

When your connection is not completed, you can see the red LED on the wireless receiver and rear speakers are not made sound. To solve the problem, follow the below steps.

1. Press PAIRING on the rear of the wireless receiver



- The yellow - green LED on the wireless receiver blinks quickly.
2. Turn on the main unit - Paring is completed. The yellow - green LED on the wireless receiver turns on.

## Surround sound

# BASIC OPERATIONS

## USB operation

1. Connect the USB device to the USB port.
2. Select the USB function by pressing F repeatedly

To	Do this
Playback	Press <b>▶  </b> on the remote control.
Pause	During playback, press <b>▶  </b> on the remote control.
Skip to the next/ previous file	During playback, press <b>▶▶</b> on the remote control to go to the next file. Playing less than 3 seconds, press <b>◀◀</b> on the remote control to go to the previous file. Playing after 3 seconds, press <b>◀◀</b> on the remote control to go to the beginning of the file.
Search for a section within a file	Press and hold <b>◀◀ / ▶▶</b> on the remote control during playback and release it at the point you want to listen to.
Play repeatedly or randomly	Press <b>REPEAT</b> on the remote control repeatedly. Refer to the note for details about the display change.
Search a folder	Press <b>FOLDER</b> <b>^ / v</b> on the remote control.
Resume playback	This unit memorizes a current song which is played before changing the function or turning off the unit.

## Note

- The resume point may be cleared when you pull out the power cord or removing the USB device from the unit.
- Repeat/Random playback operates as follows.

On Display	Description
OFF	Plays songs on USB device in order.
ONE	Plays a same song repeatedly.
FOLDER	Plays songs in a folder repeatedly.
ALL	Plays all the songs on USB device repeatedly.
SHUFFLE	Plays all the songs once randomly, and stops the playback.

## Using your TV remote control

You can control some functions of this unit by your TV remote control even by other company's product.

Controllable functions are volume up/down and mute.

Press and hold SOUND EFFECT on the remote control for about 3 seconds. "ON - TV REMOTE" appears and you can control this unit by your TV remote control.

To check the status of this function, press and hold SOUND EFFECT on the remote control.

To turn off this function, press and hold SOUND EFFECT on the remote control and press it once again while "ON - TV REMOTE" is scrolled.

## Note

- Make sure that the sound output of your TV is set to [External speaker].
- This function does not operate on LG TV's magic remote control.
- This function may not work well when some TV control functions such as HDMI CEC, SIMPLINK and LG Sound Sync set to ON.
- This function may not work well when the unit and the TV are connected with an HDMI cable.


- Some remote control may not be supported.


### **AUTO POWER On/Off**


This unit automatically turns on by an input source : Optical, LG TV or Bluetooth.

When you turn on your TV or an external device connected to this unit, this unit recognizes the input signal and selects the suitable function. You can hear the sound from your device.

If you try to connect your Bluetooth device, this unit turns on and the unit will be connected to your Bluetooth device.

To turn on this function, press and hold  on the remote control for about 3 seconds and press it once again while “OFF - AUTO POWER” is scrolled.

To check the status of this function, press and hold  on the remote control.

To turn off this function, press and hold  on the remote control for about 3 seconds and press it once again while “ON - AUTO POWER” is scrolled.

### **Note**

- After the unit is turned on by AUTO POWER function, it will be automatically turned off if there is no signal for a certain period of time from the TV connected by LG Sound Sync Optical/Wireless).
- After the unit is turned on by AUTO POWER function, it will be automatically turned off if there is no signal for a certain period of time from the external device.
- If you turned off the unit directly, it cannot be turned on automatically by AUTO POWER function. However the unit can be turned on by AUTO POWER function when optical signal comes in after 5 seconds of no signal.
- Depending on the connected device, this function may not operate.
- If you disconnect Bluetooth connection by this unit, some Bluetooth devices try to connect to the unit continually. Therefore it is recommended to disconnect the connection before turning off the unit.
- When you turn on this unit for the first time, status of Auto Power function is turned on.
- To use this function, the main unit must be registered in paired devices list of Bluetooth device.
- You can set the Auto Power function only when this unit is turned on

### **Auto function change**

This unit recognizes input signals such as Optical,

HDMI ARC, Bluetooth and LG TV and then changes suitable function automatically.

### When optical signal comes in

When you turn on the external device connected to this unit by an optical cable, this unit changes the function to optical. You can hear the sound from your device.

### When you try to connect BLUETOOTH device

When you try to connect your Bluetooth device to this unit, Bluetooth function is selected. Play your music on the Bluetooth device.

### When you turn on your TV or an external device



When you turn on your TV or an external device connected by the optical, LG sound sync (optical or wireless) or HDMI ARC this sound bar will change to a suitable function so you can listen to the sound through it

### Note

- This unit does not change the function to optical if SIMPLINK of the connected TV, Bluray disc player, set-top box or etc. device set to on or connected CEC supported device is turned on. If you want to use the auto function change, turn off SIMPLINK function on your LG TV. It takes for about 30 seconds to turn off SIMPLINK.
- If the Bluetooth connection lock function is set, Bluetooth connection will be only available on Bluetooth and LG TV function.

### Quick Start

This unit can stay in standby mode with low power consumption, so that the unit can reduce boot time when you turn on this unit.

- To turn on this function, press  on the unit for 3 seconds when the unit is turned on. "ON - Q. START" appears in display.
- To turn off this function, press  on the unit for 3 seconds again when the unit is turned on. "OFF - Q. START" appears in display

### Note

- If the Quick start function is set and an AC power is accidentally re-connected to the unit by power failure etc., the Quick start function will activate when the unit is turned on and off once.
- When the Quick start function is set, power consumption will be higher than when the Quick start is off.
- This function may not work depending on the models.

## Using a BLUETOOTH Wireless Technology

### About Bluetooth

Bluetooth is wireless communication technology for short range connection.

The sound may be interrupted when the connection interfered by the other electronic wave or you connect the Bluetooth in the other rooms.

Connecting individual devices under Bluetooth wireless technology does not incur any charges. A mobile phone with Bluetooth wireless technology can be operated via the Cascade if the connection was made via Bluetooth wireless technology. y Available Devices : Smart phone, MP3, Notebook, etc. y Version: 4.0 y Codec: SBC, AAC

### Bluetooth profiles

In order to use Bluetooth wireless technology, devices must be able to interpret certain profiles. This unit is compatible with following profile. A2DP (Advanced Audio Distribution Profile)

### Listening to Music of a Bluetooth Device

Before you start the pairing procedure, make sure that the Bluetooth feature on your smart device is turned on. Refer to your Bluetooth device's user guide. Once a pairing operation is performed, it does not need to be performed again.

1 Select the Bluetooth function by pressing F repeatedly. Appears "BT" and then "READY" in display window.

2 Operate the Bluetooth device and perform the pairing operation. When searching for this unit on your Bluetooth device, a list of the devices found may appear in the Bluetooth device display depending on the type of Bluetooth device. Your unit appears as "LG SN6Y(XX)"

3 Select the "LG SN6Y(XX)".


### Note

- XX means the last two digits of address. For example, if your unit has a MAC address such as 9C:02:98:4A:F7:08, you will see "LG SN6Y(08)" on your Bluetooth device.
- Depending on the Bluetooth device type, some devices have a different pairing way. For details about Bluetooth pairing, refer to your Bluetooth device manual.

4. When this unit is successfully connected with your Bluetooth device, "PAIRED" => your device's name => "BT" appears on the display window.

### Note

- If it is unavailable to display device name on the unit, "-" will be displayed.

- To check the connected device's name, press  on the remote control. The connected Bluetooth device's name is displayed.

## 5. Listen to music.

To play music in your Bluetooth device, refer to your Bluetooth device's user guide.

### **Note**

When using Bluetooth technology, you have to make a connection between the unit and the Bluetooth device as close as possible and keep the distance. However it may not work well in the case below :

- There is an obstacle between the unit and the Bluetooth device.
- There is a device using same frequency with Bluetooth technology such as a medical equipment, a microwave or a wireless LAN device

### **Note**

- If Bluetooth connection does not work well, try pairing it again.
- The sound may be interrupted when the connection has interference by the other electronic waves.
- Pairing is limited to one Bluetooth device per unit and multi-pairing is not supported.
- Depending on the type of the device, you may not be able to use the Bluetooth function.
- You can enjoy Bluetooth function using smart phone, MP3, Notebook, etc..
- The more distance between the unit and the
- Bluetooth device, the lower the sound quality becomes.
- Bluetooth connection will be disconnected when the unit is turned off or the Bluetooth device gets too far from the unit.
- When Bluetooth connection is disconnected, connect the Bluetooth device to the unit again.
- When the unit is not connected, "READY" appears in the display window.
- When you connect Bluetooth device (iOS device etc.) to this unit or operate the device, the volume level can be synchronized with each other.
- If you change to another function after connecting Bluetooth, Bluetooth connection will be disconnected. And you return to
- Bluetooth function, Bluetooth connection will be connected automatically.

### **Controls connected Bluetooth device**


You can control the connected Bluetooth device from the unit; play, pause, skip, volume.


### **Note**

- Only Android OS and iOS is available to use this function.
- This function may not be supported depending on the Bluetooth device or some of TV operated differently

## **Bluetooth connection lock (BT LOCK)**

You can limit Bluetooth connection to only BT (Bluetooth) and LG TV function to prevent unintended Bluetooth connection.

To turn on this function, press and hold  on the remote control for about 3 seconds in BT (Bluetooth) function and press it once again while "OFF - BT LOCK" is scrolled. Then you can limit Bluetooth connection.

To turn off this function, press and hold  on the remote control for about 3 seconds in BT (Bluetooth) function and press it once again while "ON - BT LOCK" is scrolled.

## **Using BLUETOOTH App**

### **About "Music Flow Bluetooth" App**

"Music Flow Bluetooth" app brings a suite of new features to this unit.

To enjoy more features, you are recommended to download and install free "Music Flow Bluetooth" app.

### **Install "Music Flow Bluetooth" App onto Your BLUETOOTH Device**

1. Install "Music Flow Bluetooth" app through QR code. Use the scanning software to scan the QR code.



2. Tap an icon for installation.

## Note

- Make sure that your Bluetooth device is connected to the Internet.
- Make sure that your Bluetooth device has a scanning software application. If you don't have one, download one from "Google Android Market (Google Play Store)".
- Depending on area, QR code may not work.
- You can find the available application of this unit by using "LG Audio" app. Android OS: Ver 5.0 (or later)

## Activate BLUETOOTH with "Music Flow Bluetooth" App

"Music Flow Bluetooth" app helps to connect your Bluetooth device to this unit.

1. Tap "Music Flow Bluetooth" app icon on the home screen to open "Music Flow Bluetooth" app, and go to the main menu.
2. If you want to get more information to operate, tap [Setting] and tap [Help] menu.

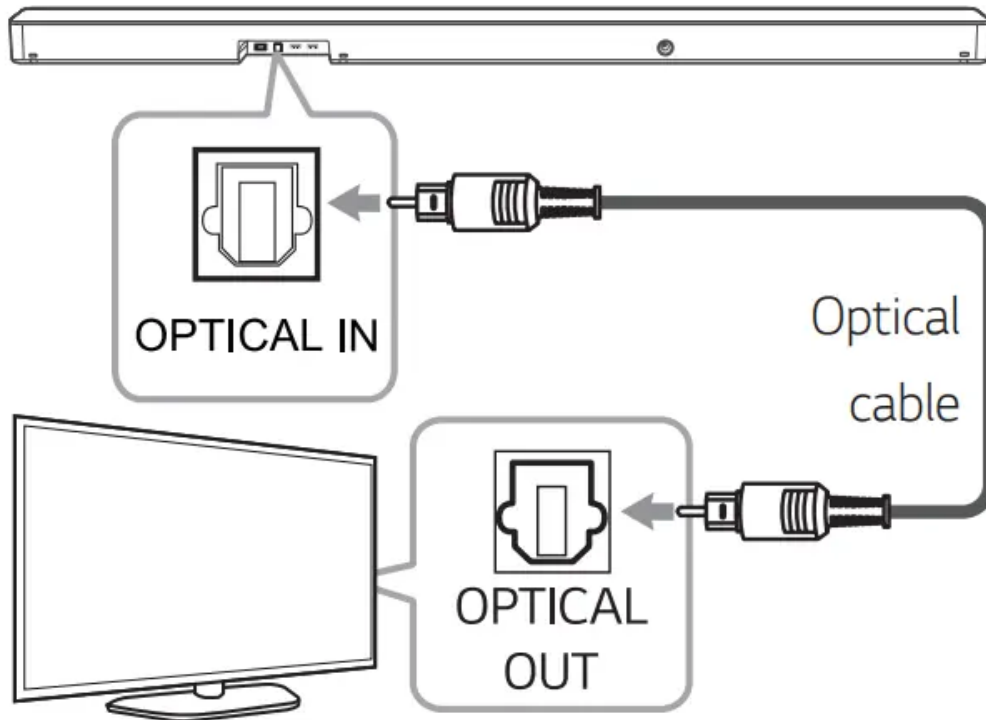
## Note

- "Music Flow Bluetooth" app will be available in the software version as follow; Android O/S : Ver 4.0.3 (or later)
- If you use "Music Flow Bluetooth" app for operation, there would be some differences between "Music Flow Bluetooth" app and the supplied remote control. Use the supplied remote control as necessary.
- Depending on the Bluetooth device, "Music Flow Bluetooth" app may not work.
- After connection of "Music Flow Bluetooth" app, music may be output from your device. In this case, try connecting procedure again.
- If you operate the other applications or change the settings on your Bluetooth device while using "Music Flow Bluetooth" app, "Music Flow Bluetooth" app may operate abnormally.
- When "Music Flow Bluetooth" app operates abnormally, check your Bluetooth device and the connection of "Music Flow Bluetooth" app and then try to connect again.
- Depending on the smart phone's operating system, you have some differences for "Music Flow Bluetooth" operation.
- Even though Bluetooth connection will be disconnected, you can use "Music Flow Bluetooth" app when you change the function.
- Additional features offered by "Music Flow Bluetooth" app may not work depending on the distance between this unit and Bluetooth device and wireless conditions.

## Connecting to your TV

### Using an OPTICAL cable

1. Connect the OPTICAL IN jack on the back of the unit to OPTICAL OUT jack on the TV using an OPTICAL cable



2. Select the input source to OPT/HDMI ARC by pressing F repeatedly. You can see “OPT” on the display window if connecting normally between this unit and your TV.

#### Note

- Before connecting the optical cable, be sure to remove the protection plug cover if your cable has the cover.
- You can enjoy the TV audio through the speakers of this unit. In the case of some TV models, you must select the external speaker option from the TV menu. (For details, reference your TV user manual.)
- If this unit is connected by OPTICAL and ARC at the same time, the ARC signal has a higher priority.

### LG Sound Sync

**Sound Sync**  
Wireless

You can control some functions of this unit by your TV's remote control with LG Sound Sync. It is compatible with the LG TV that is supported LG Sound Sync. Make sure of the LG Sound Sync logo on your TV.

Controllable function by LG TV's remote control: Volume up/down, mute

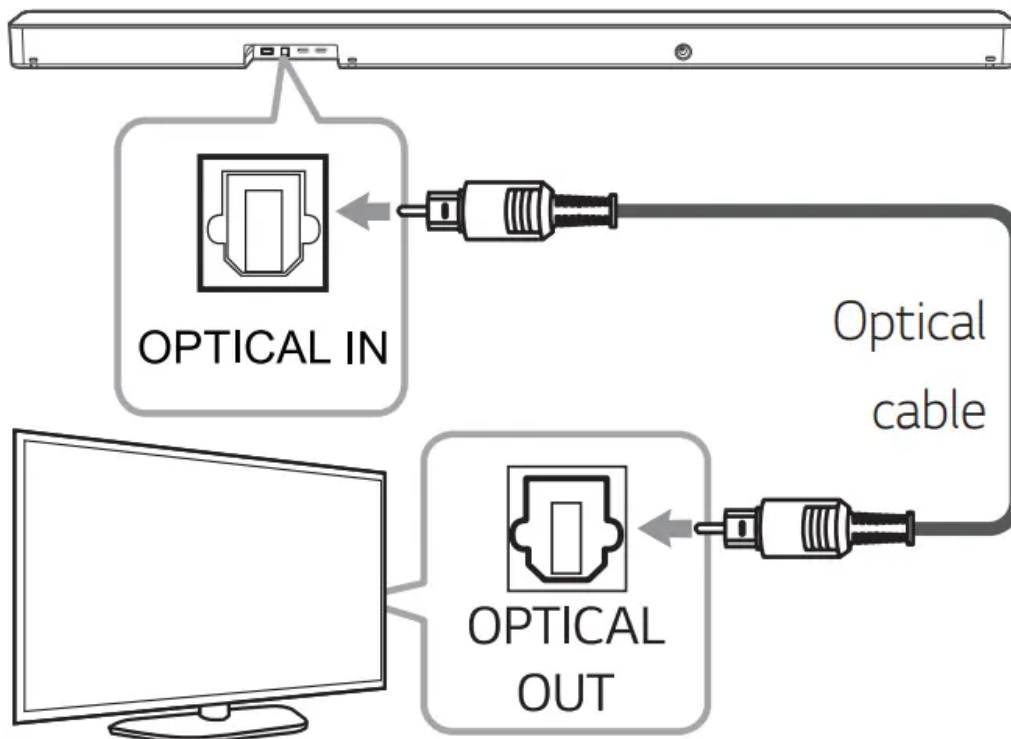
Make one of the following connections, depending on the capabilities of your equipment.

### Note

- You can also use the remote control of this unit while using LG Sound Sync. If you use TV's remote control again, the unit synchronizes with the TV. According to TV Specifications, the volume and mute of this unit synchronize with TV.
- When the connection fails, make sure of the condition of the TV and power.
- Make sure of the condition of this unit and the connection in the cases below when using LG Sound Sync.
  - The unit is turned off.
  - Changing the function to the others.
  - Disconnecting the optical cable.
  - Disconnecting the wireless connection caused by interference or a distance.
- The amount of time to turn off this unit is different depending on your TV when you set AUTO POWER function to ON.

### LG Sound Sync with wired connection

1. Connect your LG TV to the unit by using an optical cable



2. Set up the sound output of TV to listen to the sound through this unit
3. Turn on the unit by pressing 1.
4. Select the input source to OPT/HDMI ARC by pressing F repeatedly. You can see "LGOPT" on the display window if connecting normally between this unit and your TV.



# TROUBLESHOOTING

## General



Symptoms	Cause & Solution
The unit does not work properly.	<ul style="list-style-type: none"> <li>• Turn <i>off</i> the power of this unit and the connected external device (TV <i>Woofers</i>, DVD-player Amplifier etc.) and turn them on again.</li> <li>• Disconnect the power cord of this unit and the connected external device (TV <i>Woofers</i>, DVD-player Amplifier etc.) and then try connecting again.</li> <li>• Previous setting may not be saved when device power is shut <i>off</i></li> </ul>
No Power	<ul style="list-style-type: none"> <li>• The power cord is unplugged. Plug in the power cord.</li> <li>• Check whether electricity failed. Check the condition <i>by</i> operating other electronic devices.</li> </ul>
No sound	<ul style="list-style-type: none"> <li>• Incorrect input source is selected. Check the input source and select the correct input source.</li> <li>• The mute function is activated. Press [ Mute ] or adjust the volume level to cancel the mute function.</li> <li>• When you are using connection with a external device (set top box, <b>Bluetooth</b> device etc.), adjust volume level of the device.</li> </ul>
No woofer sound	<ul style="list-style-type: none"> <li>• The power cord of the subwoofer is not connected. Plug the power cord into the wall outlet securely</li> <li>• Pairing between the unit and the subwoofer gets disconnected. Connect the unit and the subwoofer (Page 17)</li> </ul>



Symptoms	Cause & Solution
<p>The remote control does not work properly.</p>	<ul style="list-style-type: none"> <li>• The remote control is too <i>far from</i> the unit. Operate the remote control within about 7 m (23 ft).</li> <li>• There is an obstacle in the path <i>of</i> the remote control and the unit. <i>Remove the obstacle.</i></li> <li>• The batteries in the remote control is exhausted. <i>Replace the batteries with new one.</i></li> </ul>
<p>The AUTO POWER function <i>does not work.</i></p>	<ul style="list-style-type: none"> <li>• Check connection <i>of</i> the external device such as TV, DVD/Blu-Ray player <i>or</i> <b>Bluetooth</b> device.</li> <li>• Check the state <i>of</i> SIMPLINK on your LG TV and turn <i>off</i> SIMPLINK.</li> <li>• Depending on the connected device, this function may not operate.</li> </ul>
<p>LG Sound Sync does not <i>work.</i></p>	<ul style="list-style-type: none"> <li>• Check whether your LG TV supports LG Sound Sync.</li> <li>• Check connection <i>of</i> LG Sound Sync (Optical <i>or</i> wireless).</li> <li>• Check sound setting <i>of</i> your TV and this unit.</li> </ul>



Symptoms	Cause & Solution
The unit does not connect with <b>Bluetooth</b> device	<ul style="list-style-type: none"> <li>• Turn <i>off</i> the <b>Bluetooth</b> connection lock function. (Page 36)</li> </ul>
When you feel the output sound of the unit is low.	<p>Check the details below and adjust the unit according to them.</p> <ul style="list-style-type: none"> <li>• With the sound <i>bar</i> connected with TV, change the AUDIO DIGITAL OUT setting on TV Setup Menu <i>from</i> [PCM] to [AUTO] <i>or</i> [BITSTREAM].</li> <li>• With the sound <i>bar</i> connected with Player change the AUDIO DIGITAL OUT setting on Player Setup Menu <i>from</i> [PCM] to [PRIMARY PASS-THROUGH] <i>or</i> [BITSTREAM].</li> <li>• Change Audio DRC setting on connected device setup menu to [OFF] state.</li> <li>• Make sure Night time mode is not On. Turn [OFF] Night time mode.</li> </ul>
USB is not recognized.	<ul style="list-style-type: none"> <li>• Format the USB device and connect <i>it</i> again.</li> </ul> <p>When formatting the USB device, select the available file system.</p>

## NOTES to use wireless

Symptoms	Cause & Solution
This device may have wireless interference.	<ul style="list-style-type: none"> <li>• Wireless may not operate normally in weak signal area.</li> <li>• Please install the device close enough to wireless subwoofer</li> <li>• Do not install the device on metal furniture <i>for</i> optimum performance.</li> </ul>
<b>Bluetooth</b> device may malfunction or make noise in the following cases.	<ul style="list-style-type: none"> <li>• When any part of your body contact the transceiver of the <b>Bluetooth</b> device or sound bar.</li> <li>• <i>When there is an obstacle or wall or the device is installed in a secluded spot.</i></li> <li>• When there is a device (a wireless LAN, a medical equipment or a microwave) using same frequency make the distance between the products as <i>far away</i> as possible each other</li> <li>• When connecting the device to the <b>Bluetooth</b> device, make the distance <i>between the products as close as possible each other.</i></li> <li>• When the device gets too <i>far from</i> the <b>Bluetooth</b> device, the connection is disconnected and also malfunction may occur</li> </ul>

## NOTES to release Demo mode

Symptoms	Cause & Solution
Can not change input source with <i>F</i> such as BT ( <b>Bluetooth</b> ), HDMI etc. and only [DEMO] indication is showing in the front display.	Unplug the power cord and plug <i>it</i> in again. <i>If</i> that doesn't work, after setting the volume to 2, press and hold <i>F</i> (About 5 seconds) on the main unit until the display indicates current selected function.
Remote Control does not work. (No response)	

### Warning

This content is compiled from multiple sources and is provided for reference purposes only. It may not be complete or fully applicable to all situations. If you are unable to resolve your issue, please contact the product manufacturer or an authorized service provider for official support.

---

Document generated by [ManualsFile](#)

