

## Safety Information

### Restrictions

- This product is designed for indoor floor cleaning only, Please do not use it outdoors (such as an open-ended terrace), on any surface instead of the ground (such as a sofa), or in a commercial or industrial environment
- Please do not use the product on any elevated surface without barriers (such as the floor of a loft, an open-ended terrace and the surface of furniture)
- Please do not use the product when the temperature is higher than 40°C or lower than 4°C, or there is any liquid or sticky substance on the floor
- Before using the product, please put aside wires on the floor to avoid them being dragged around when the cleaner is working
- To prevent the cleaner from being blocked whilst it is working and your valuables from any damage from slight crashes. please clean up fragile objects and odds and ends on the floor before switching on the cleaner (such as vases and plastic bags)
- Children should be supervised to ensure that they do not play with the appliance
- This appliance is not intended for use by persons (including children) with reduced physical, sensory or mental capabilities, or lack of experience and knowledge, unless they have been given supervision or instruction concerning use of the appliance by a person responsible for their safety (CB)
- This appliance can be used by children aged from 8 years and above and persons with reduced physical, sensory or mental capabilities or lack of experience and knowledge if they have been given supervision or instruction concerning use of the appliance in a safe way and understand the hazards involved. Children shall not play with the appliance. Cleaning and user maintenance shall not be made by children without supervision (EU)

Please keep the main brush cleaning tools out of reach of children

- Do not place any object (including children and pets) on the cleaner, no matter whether it is working or not
- Keep hair, loose clothing, fingers, and all parts of body away from openings and moving parts
- Do not use the cleaner on any burning object (such as a burning cigarette butt)
- Do not use the cleaner on plush carpets (the cleaner might not work well on some dark-colored carpets either)

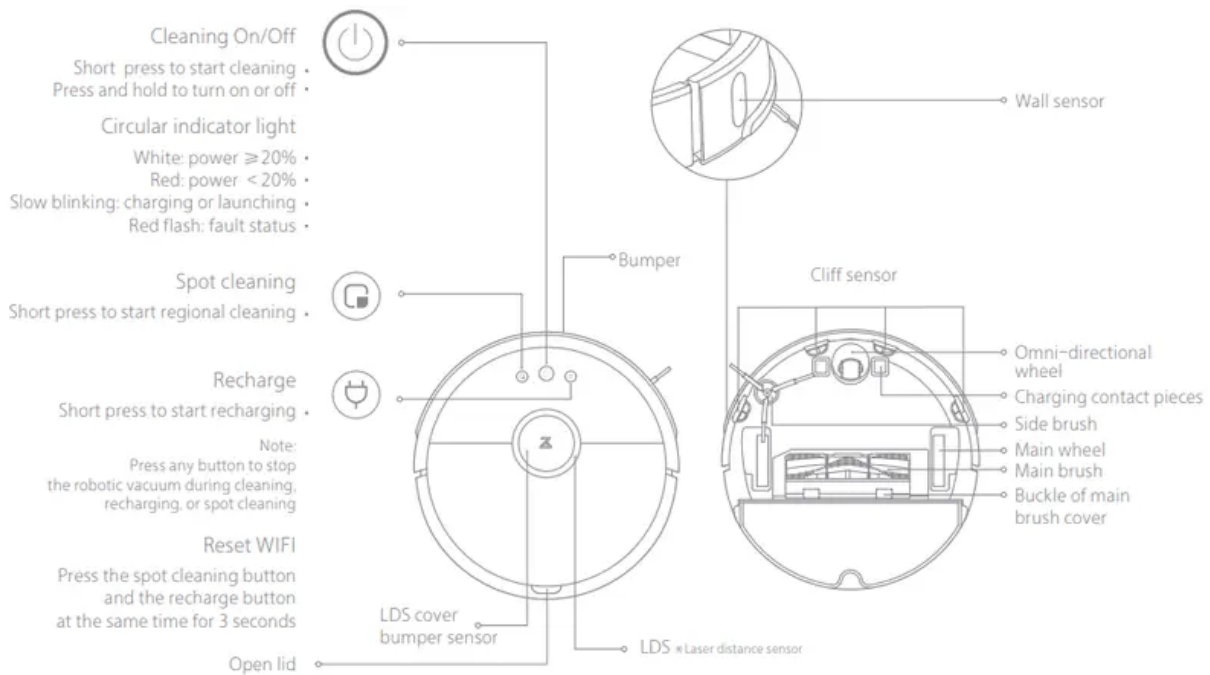
- Do not use the cleaner to clean hard or sharp objects (such as decoration wastes, glass and nails)
- Do not carry the cleaner by the cap on the distance laser sensor, the cover on the main unit or the collision buffer.

The appliance must be switched off and the plug must be removed from socket-outlet before cleaning or maintaining the appliance

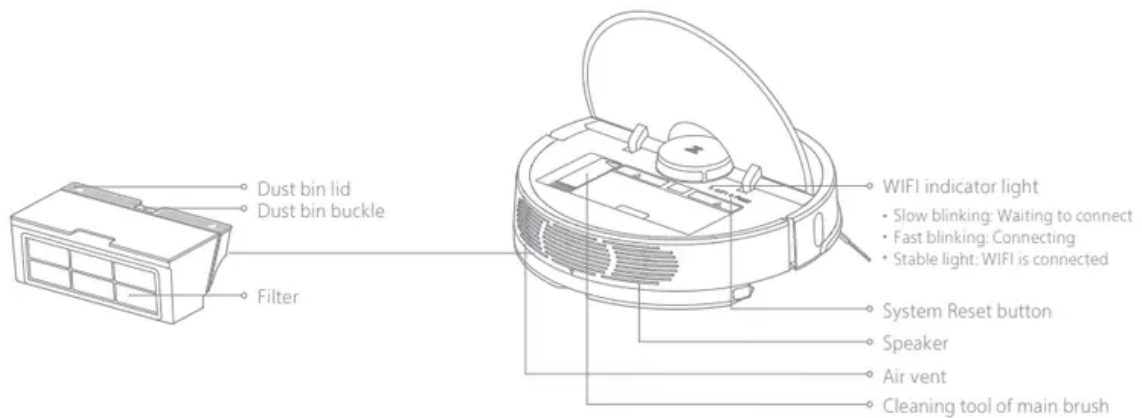
- Do not use a wet piece of cloth or any liquid to clean any part of the product
- Do not use the mopping module on carpets
- Please use the product according to the manual. Any loss or damage caused from improper use will be borne by the user.

## Product Introduction

### Main Unit



## Dust Bin

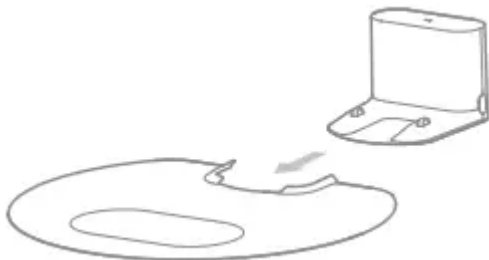


## Accessories



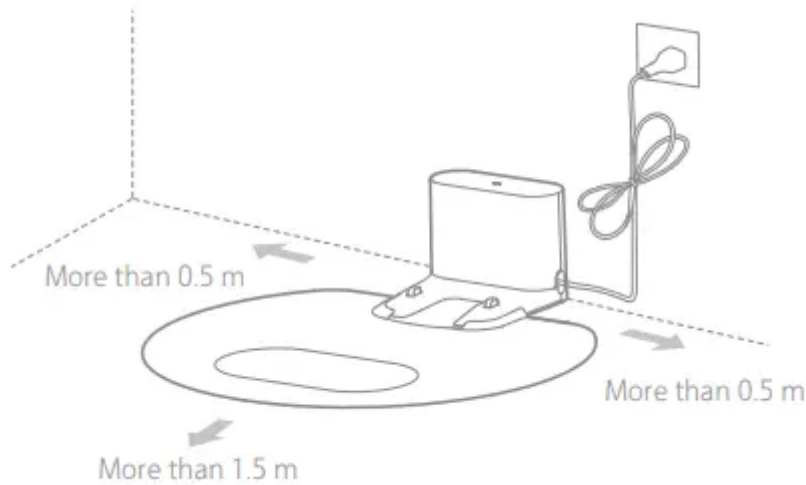
## Installation

**1 Plug the dock charger into the interface of the moistureproof mat, and make sure it's firmly installed.**



\* This moistureproof mat can keep the floor dry


**2 Keep the dock charger on a level surface, flat against a wall, plug into power outlet.**



**Note**

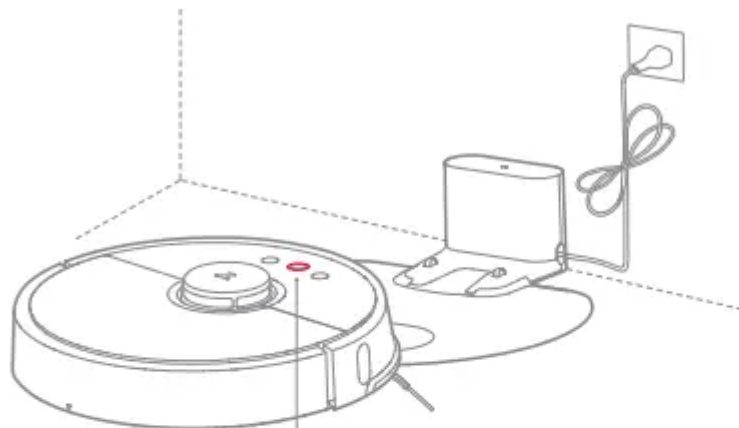
- Ensure to leave enough space to the dock charger (0.5 meters on both sides, more than 1.5 meters in the front).
- It will cause unexpected power outages and/or dock charger displacement if the power cable is dragged by main unit accidentally due to disorganized placed.
- The dock charger indicator is on after it's plugged into power outlet, the indicator is off when main unit is being charged.

**3 Turn on and charge the machine**

Press and hold the button  to turn on the main unit ,wait until the indicator light is on for a while ,then place the main unit on the dock charger to charge.

The machine is equipped with a built-in high performance lithium-ion rechargeable battery pack. To maintain battery performance, please keep the machine charged for normal use.





The color of the circular light indicator refers to the quantity of electricity

- White: power  $\geq$  20%
- Red: power  $<$  20%

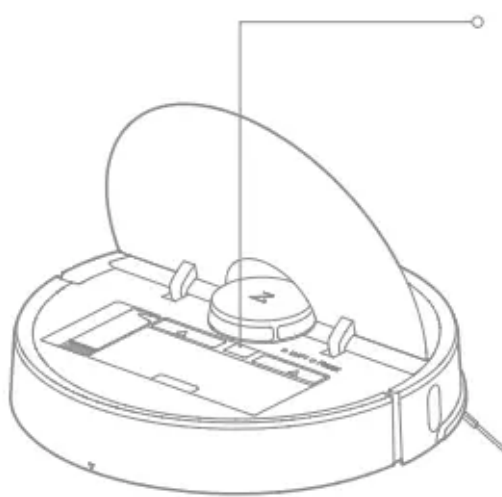
**Note:** Robotic vacuum cleaner may not be powered on when battery is low, connect the robotic vacuum cleaner to the dock charger.

#### 4 Connect to the mobile phone client

The product is compatible with Mi Home intelligent platform and could be controlled by Mi Home app. It supports the MIUI system and can be interconnected with other Mi Home intelligent products

## Quick Setup

1. **Download App** Search "Mi Home" in App store/Google play or scan the QR code below to download and install the Mi Home app.





### WiFi indicator light

- Slow blinking: Waiting to connect
- Fast blinking: Connecting
- Stable light: WiFi is connected

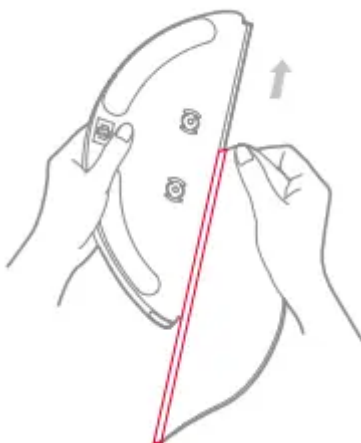


Scan to download the APP

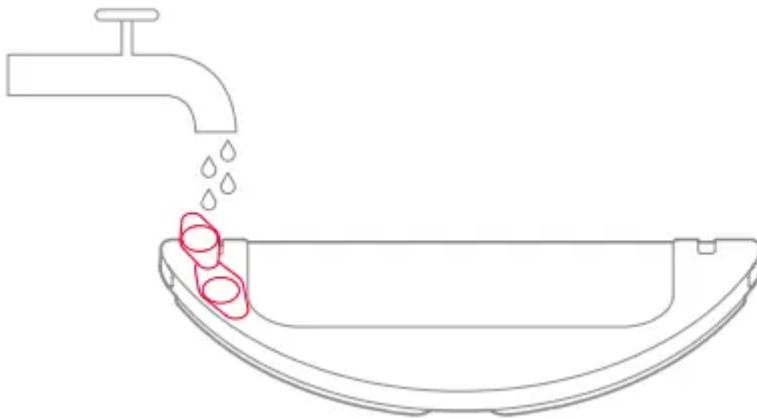
2. **Add Device** Go to "My Device" page of Mi Home app and tap "+" on the top right corner of the page to add a device. You could find newly added device on "My Device" list 2
3. **Reset WIFI** If anything is wrong with WIFI connection, you could try to reset WIFI to default. Open upper cover to check the WIFI indicator status next to reset button. Press and hold the  key and  key until you hear the voice "Reset WIFI ". The resetting is completed when the WIFI indicator starts to flash slowly and the cleaner will enter a pending connection state.

## 5 Install the mopping module

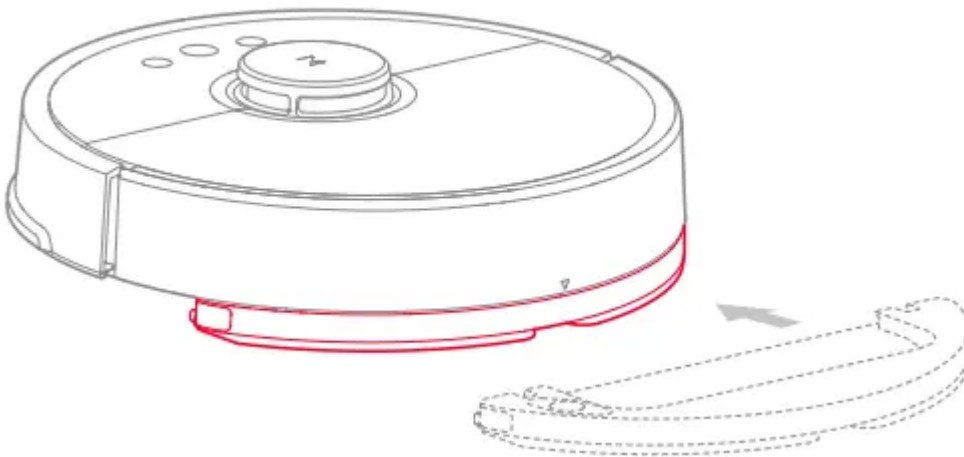
1. Install the mopping cloth: Wet the mopping cloth and wring it until it doesn't drip. . Insert it into the bottom along the slot of the water tank and stick it firmly.



2. Fill the water tank: Open the tank lid, fill it with water, and put back the tank lid.




3. Install the module: Push in the module along the bottom of the main unit and follow the alignment mark on the mopping module. A click sound means it is installed properly.



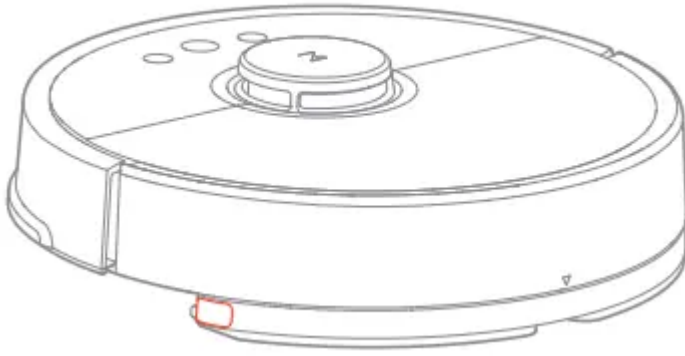
**Note:**In order to achieve a better mopping effect, it is recommended to use the main unit to clean the floor three times before install the mopping module

## 6 Start cleaning

When the circular indicator light on the main unit changes from slow blinking to stable, it means charging has completed. Briefly press button  or start cleaning through the mobile phone client.

## 7 Remove the mopping module

When the main unit is back on the dock charger after cleaning, press the buckles on both sides by hand, drag and remove the mopping module.



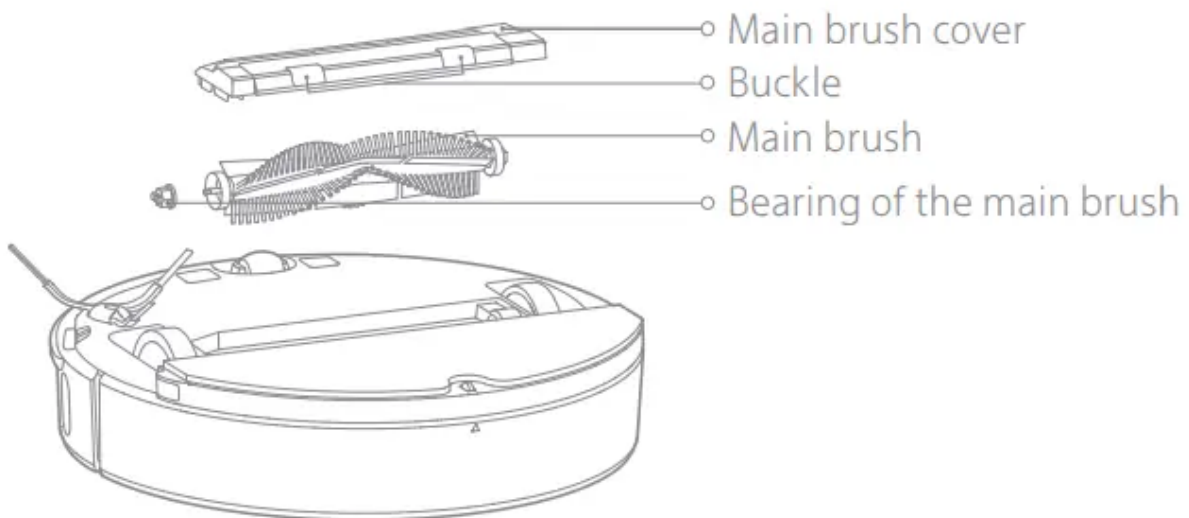
### Note

- Please use moistureproof mat if you put the dock charger on wood floor.
- Remove tank when charging or not in use

## Operating Instruction

### Main brush \* Clean it every week as recommended

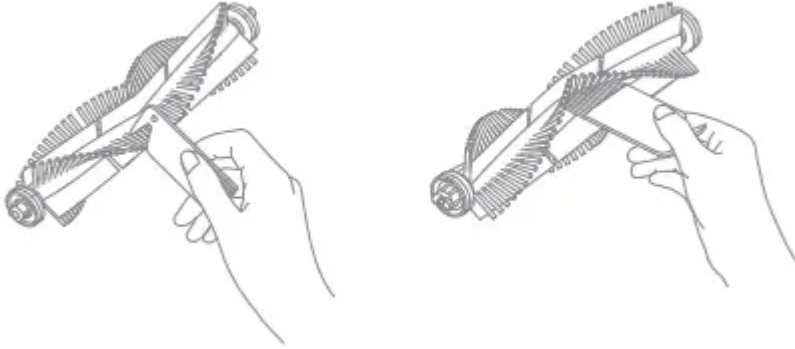
1. Turn over the machine, press the buckle and take off the cover.
2. Take out the main brush in an upwards movement and clean the bearing of the main brush.
3. Use the matching cleaning tool of the main brush to cut off the hairs entangled on the main brush.
4. Install the main brush, press tight the cover and fix the buckle.



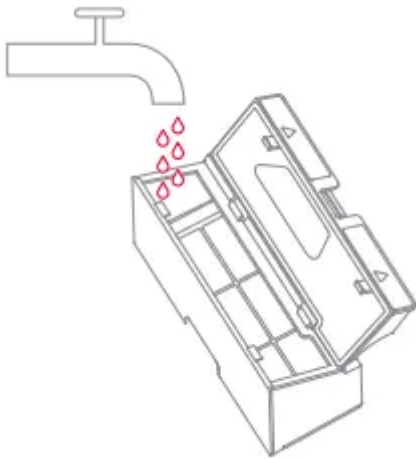
**Note:** It is recommended to replace the main brush every 6-12 months so as to ensure it cleans effectively

## Daily Maintenance

Instruction for using the cleaning tool of the main brush



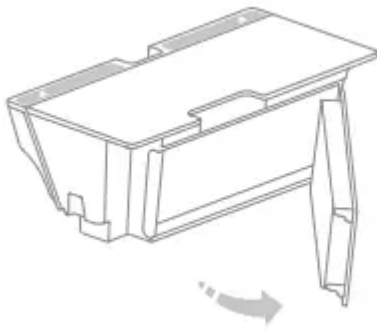
Pour the water into the dust bin, close the dust bin cover, shake the dust bin left and right, pour out the dirty water, repeat this step several times, until the filter clean.



### Note

- Wash the filter by water only, detergents are not allowed to use.
- Please do not use finger or brush to clean the filter to avoid any possible damage
- Please dry out the filter at least for 24 hours after washing.

## Change of filter

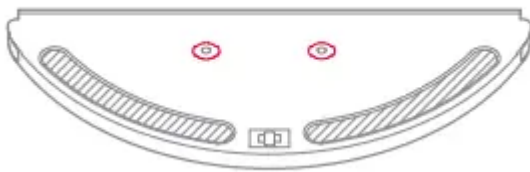


Please remove the filter and replace it as shown in the picture.

## Water tank filter element component

It is recommended to replace it every 1-3 months

1. Use your finger to remove the two filter element component from the gap.
2. Fit the new filter element and make sure it is in the right place .



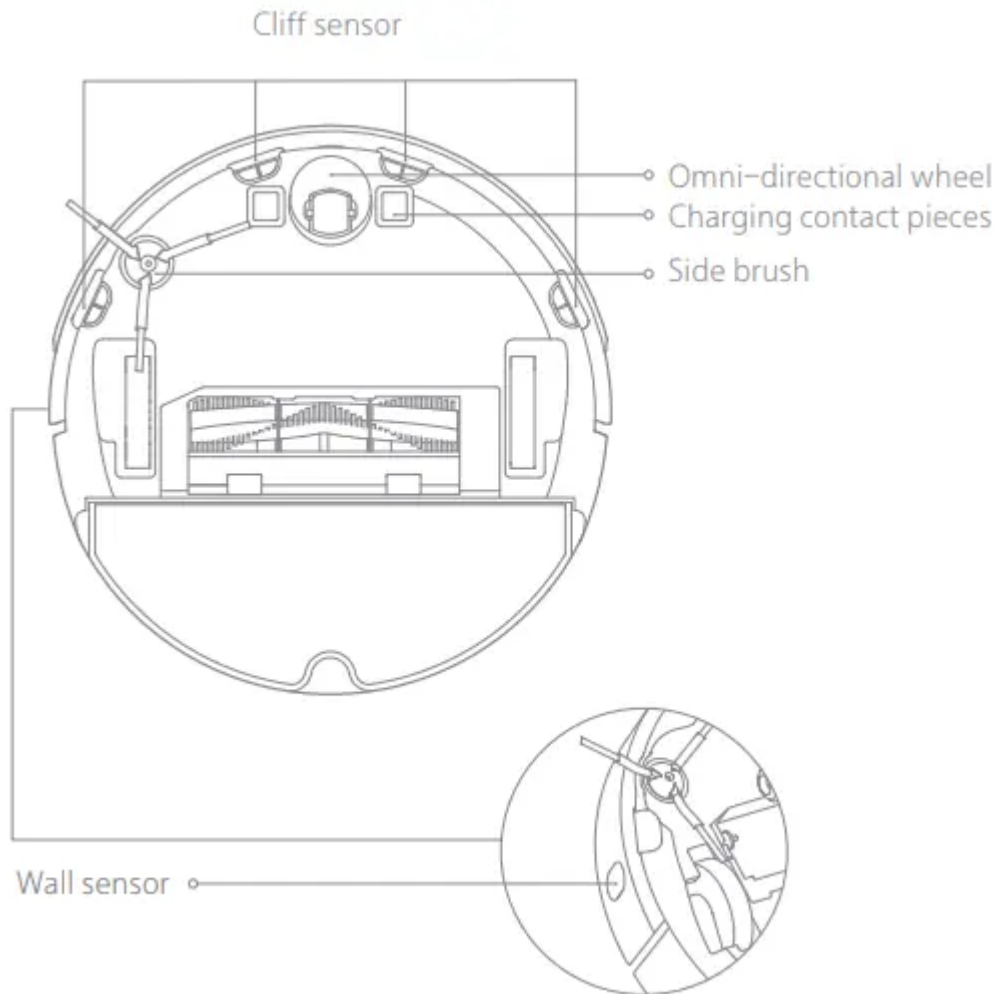
**Note:** It is recommended to replace the filter element component every 1-3 months so as to ensure effective cleaning

## Main Unit Sensor

Wipe the sensors of the main unit with a soft, dry cloth, including:

1. The four cliff sensors at the bottom of the main unit.
2. The wall sensor on the right side of the main unit.

3. The charging contact pieces at the bottom of the main unit.

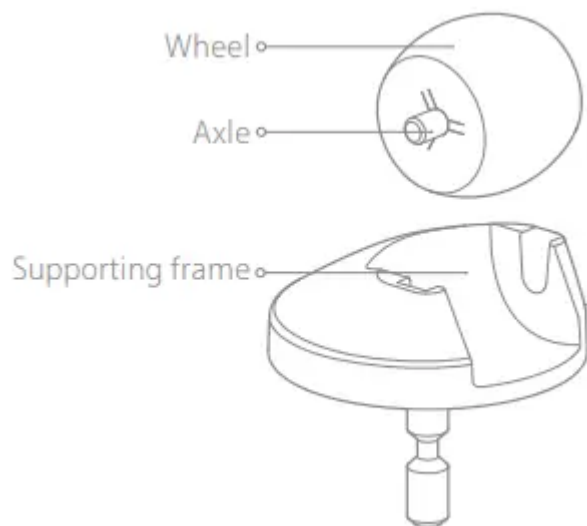


### Omni-directional wheel \*

It is recommended to clean it every month

1. Turn over the machine and take out the omni-directional wheel by pulling upwards.
2. Clean the hair and dirt off the wheel and the axle.
3. Install the wheel and press it tight.

**Note:** You may rinse it with tap water and install it after it gets dry



## Dock Charger

\* It is recommended to clean it every month.

Wipe the battery connectors of the dock charger with a soft, dry cloth.

## Restore Factory Settings

If the machine does not function properly after resetting, please hold the button when the machine is on, and press the rest button at the same time, until you hear the voice prompt "start restoring the initial version", then the main unit has been restored to the factory settings

### Warning

This content is compiled from multiple sources and is provided for reference purposes only. It may not be complete or fully applicable to all situations. If you are unable to resolve your issue, please contact the product manufacturer or an authorized service provider for official support.