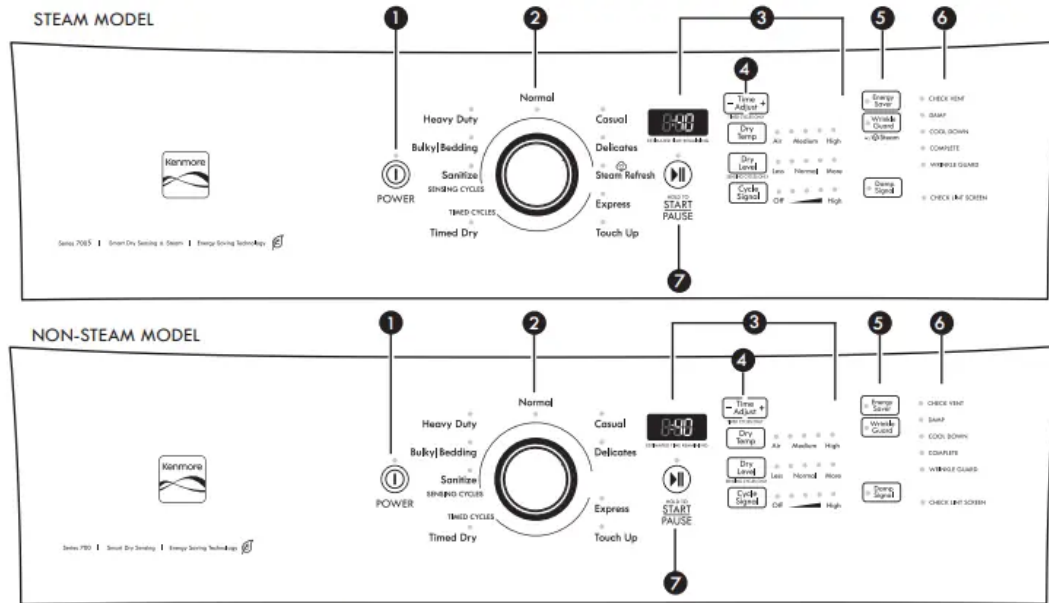


CONTROL PANEL AND FEATURES



Not all features and options are available on all models. Appearance may vary.

1. POWER BUTTON

Touch to turn the dryer on and off. Touch to stop/cancel a cycle at any time.

2. CYCLE KNOB

Use your cycle knob to select available cycles on your dryer. Turn the knob to select a cycle for your laundry load. See “Cycle Guide” for detailed descriptions of cycles.

Timed Cycles

Will run the dryer for the specified time on the control. On models with a selectable temperature button, you may choose a setting based on the fabrics in your load. Drying time and temperature will vary depending on your dryer model.

Sensing Cycles

Sensing cycles give the best drying in the shortest time. Drying time will vary based on fabric type, load size, and dryness setting.

3. LED DISPLAY AND SETTINGS

When you select a cycle, its default settings will light up and the Estimated Time Remaining (for Sensing Cycles) or actual time remaining (for Timed Cycles) will be displayed.

Touch the setting names next to the display to adjust settings. See “Cycle Guide” for available settings on each cycle. Not all settings are available with all cycles.

Dry Temp



Select a drying temperature based on the fabrics in your load. If you are unsure of the temperature to select for a load, select the lower setting rather than the higher setting. See “Cycle Guide.”

Dry Level

You may adjust the Dry Level on Sensing Cycles (except for the Sanitize cycle), if desired.

NOTE: Dry Level is for use with Sensing Cycles only.

Cycle Signal

The Cycle Signal produces an audible sound when the drying cycle is finished. Promptly removing clothes at the end of the cycle reduces wrinkling.

NOTE: When the Wrinkle Guard™ option is selected and the Cycle Signal is on, the tone will sound at 15 minutes, 30 minutes, and at the end of Wrinkle Guard™.

4. Time Adjust for Timed Cycles Only

Use “+” and “-” with Timed Cycles to increase or decrease the length of a Timed Dry or Express cycle.

5. OPTIONS

Use to select available options for your dryer. Not all cycles and options are available on all models.

Energy Saver option

Activate the ENERGY SAVER setting to increase your energy savings. This setting uses a lower heat level and extends cycle time. Turn on for optimal energy savings. Turn off for optimal cycle times. ENERGY SAVER will default on for NORMAL.

NOTE: Energy savings is not available on all cycles, and may vary across loads and cycles.

Wrinkle Guard™ or Wrinkle Guard™ w/Steam option (depending on model)

When you are unable to remove a load of clothes from the dryer as soon as it stops, wrinkles can form. The Wrinkle Guard™ option periodically tumbles, rearranges, and fluffs the load to help keep wrinkles from forming. The Wrinkle Guard™ w/Steam setting (depending on model) will add a short steam cycle after 60 minutes to help smooth out wrinkles.

- Get up to 150 minutes of heat-free, periodic tumbling at the end of a cycle. Touch the WRINKLE GUARD™ option to select ON or OFF at any time before the cycle has ended.

NOTE: If you open the dryer door prior to the end of the Wrinkle Guard™ option, the dryer will go into Pause mode. You will need to touch Power to turn off or touch Start/Pause to continue Wrinkle Guard™ option.

Damp Signal

Touch to select the Damp Signal to on or off. When selected, a series of beeps will sound when the load is damp, but not completely dry. This will allow you to take clothes out of the load that do not need to dry completely. This option is not available on Sanitize, Steam Refresh, and the Timed cycles.

6. CYCLE STATUS LIGHTS

The indicator bar on the right side of the control will let you know what stage of the drying cycle is in process.

Check Vent

The Check Vent indicator will light if there is a blocked vent or low airflow.

Damp

This indicator shows that the load is partially dried and items that you may wish to hang up or iron while still damp may be removed.

Cool Down

The dryer has finished drying with heat, and is now tumbling the load without heat to cool it down and reduce wrinkling.

Complete

This will indicate that the selected cycle has ended and the load may be removed from the dryer. If Wrinkle Guard™ option has been selected, the dryer may continue to tumble the load, even if the Complete indicator is lit.

Wrinkle Guard™

This indicator will light if the Wrinkle Guard™ option has been selected and is running. The dryer will periodically tumble the load for up to 150 minutes after the cycle has ended.

Check Lint Screen

The Check Lint Screen indicator light will flash as a reminder to clean the lint screen. It will flash until the door is opened or a cycle is started. It will turn off when the dryer is turned off.

7. START/PAUSE BUTTON

Touch and hold START/PAUSE button for up to 3 seconds or until the dryer starts to begin the selected cycle; touch again to pause a cycle.

CYCLE GUIDE – SENSING CYCLES

SENSING CYCLES – Senses moisture in the load and shuts off when the load reaches the selected dryness level. Settings shown are default settings for that cycle.

To get the most energy savings and enhanced fabric care from your dryer use the Sensing cycles. These cycles measure the drying air temperature and moisture levels to turn the dryer off once the

load reaches the selected dryness level. Dryer performance and results may vary with service voltage less than 240.

Items to dry:	Cycle:	Dry Temp:	Dry Level:	Available Options:	Cycle Details:
Towels and bedding	Sanitize*			Wrinkle Guard™ Cycle Signal	Extended high-heat drying cycle intended to help sanitize items such as bedding and towels. This cycle is not recommended for all fabrics. For best results, run cycle to completion, do not interrupt. NOTE: Steam portion of Wrinkle Guard™ w/Steam option is disabled for this cycle.
Jackets, comforters, pillows	Bulky/Bedding			Damp Dry Signal Wrinkle Guard™ Cycle Signal	Use for drying large, bulky items; do not overfill dryer drum.
Heavyweight items such as towels and jeans	Heavy Duty			Damp Dry Signal Wrinkle Guard™ Cycle Signal	Use for drying large or heavy items.
Corduroys, work clothes	Normal			Damp Dry Signal Energy Saver Wrinkle Guard™ Cycle Signal	Medium to large loads of mixed fabrics and items.
No-iron fabrics, cottons, perm press, linens, synthetics	Casual			Damp Dry Signal Energy Saver Wrinkle Guard™ Cycle Signal	For normal light- to medium-weight fabrics. Drying time varies based on fabric type, load size, and dryness setting.
Lingerie, blouses, washable knit fabrics	Delicates			Damp Dry Signal Energy Saver Wrinkle Guard™ Cycle Signal	For gently drying delicate items.

† If loads do not seem as dry as you would like or are drier than you would like, select More Dry or Less Dry next time you dry a similar load.

* Extended high-heat drying cycle intended to help sanitize items such as sheets and towels. This cycle is not recommended for all fabrics. For best results, this cycle should be run to completion to ensure sanitization. Do not interrupt cycle.

CYCLE GUIDE – TIMED CYCLES

TIMED CYCLES – Will run the dryer for the specified time on the control. Settings shown are default settings for that cycle.

Items to dry:	Cycle:	Default Time:	Available Options:	Cycle Details:
Any load	Timed Dry	40	Wrinkle Guard™ Cycle Signal	Select a drying temperature based on the fabrics in your load. If you are unsure of the temperature to select for a load, select the lower setting rather than the higher setting.
Any load	Touch Up	20	Wrinkle Guard™ Cycle Signal	Use this cycle to quickly refresh an item or remove light wrinkles. The load is cooled slowly to reduce wrinkling and make it easier to handle.
Small loads and sportswear (2 to 3 items)	Express	15	Wrinkle Guard™ Cycle Signal	For small loads of 2-3 items.

CYCLE GUIDE – STEAM CYCLE

STEAM CYCLE – Designed for use with dry loads to loosen wrinkles, reduce odors, and refresh fabrics.

Settings shown are default settings for that cycle. Not all settings and options are available on each cycle.



Items to dry:	Cycle:	Dry Temp:	Dry Level:	Available Options:	Cycle Details:
Mixed loads	Steam Refresh	<input type="radio"/> Air <input checked="" type="radio"/> Medium <input type="radio"/> High	<input type="radio"/> Less <input type="radio"/> Normal <input checked="" type="radio"/> More	Wrinkle Guard™ Cycle Signal	Use to smooth out wrinkles and reduce odors from loads consisting of 1 to 9 dry items of wrinkle-free cotton, cotton-polyester blend, common knits, and synthetic garments.

Setting the Dry Temp

Select a drying temperature based on the fabrics in your load. If you are unsure of the temperature to select for a load, select the lower setting rather than the higher setting.

Temperature Tips

If your dryer has multiple heat settings:

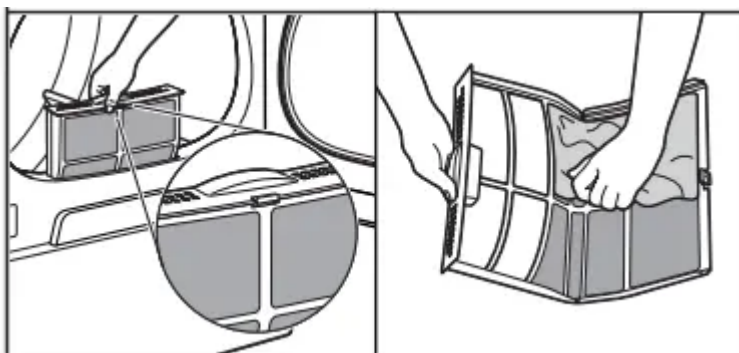
- A High heat setting may be used for drying heavyweight items such as towels and work clothes.
- A Medium to Medium High heat setting may be used for drying medium-weight items such as sheets, blouses, dresses, underwear, permanent press fabrics, and some knits.
- A Low heat setting may be used for drying lightweight items such as lingerie.
- Use an Air (no heat) setting for foam, rubber, plastic, or heat-sensitive fabrics.
- Line dry bonded or laminated fabrics.

NOTE: If you have questions about drying temperatures for various loads, refer to the care label directions.

USING YOUR DRYER

WARNING: To reduce the risk of fire, electric shock, or injury to persons, read the IMPORTANT SAFETY INSTRUCTIONS before operating this appliance.

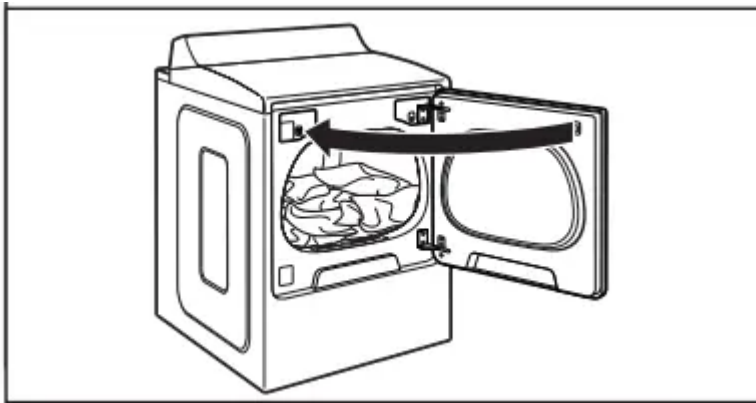
1. Clean the lint screen



Clean the lint screen before each load. Pull the lint screen straight up and out. Press tab down on front to open lint screen. Roll lint off the screen with your fingers. Do not rinse or wash screen to remove lint. Wet lint is hard to remove. Close lint screen and push the lint screen firmly back into place.

For additional cleaning information, see “Dryer Care.”

2. Load the dryer



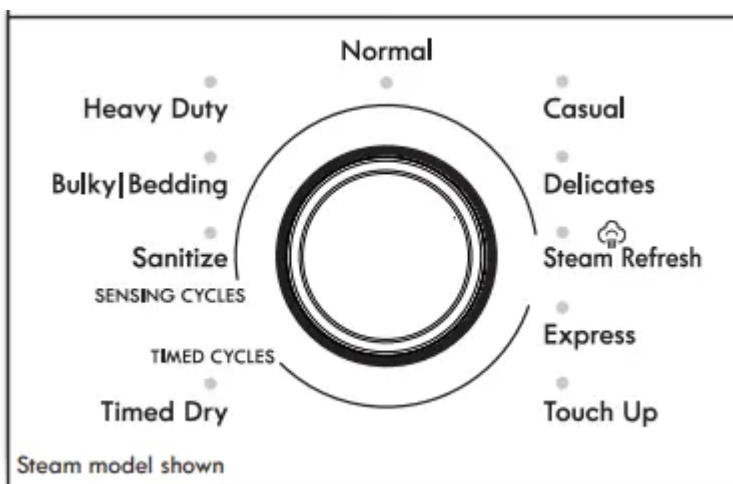
Place laundry in the dryer. Close the door. Do not tightly pack the dryer; clothes should be able to tumble freely

3. Touch Power



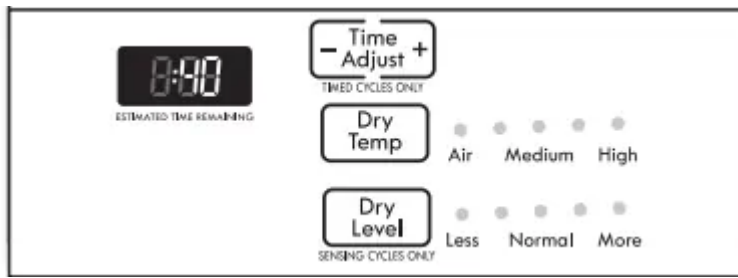
Touch POWER to turn on the dryer.

4. Select the desired cycle



Select the desired cycle for your load. See the “Cycle Guide” for more information about each cycle.

5. Set cycle settings, if desired



You may adjust different settings, depending on whether you have selected a Sensing Cycle, Timed Cycle, or Steam Refresh Cycle. See the “Cycle Guide” for detailed information.

NOTE: Not all options and settings are available with all cycles. Not all cycles are on all models.

Sensing Cycles:

You can select a different dryness level, depending on your load, by touching DRY LEVEL to scroll to More, Normal, or Less. Selecting More, Normal, or Less automatically adjusts the dryness level at which the dryer will shut off. Dry Level can be changed in the first 5-8 minutes of the cycle. Sensing cycles give the best drying in the shortest time. Drying time varies based on fabric type, load size, and dryness setting.

NOTE: More Dry removes more load moisture. Normal Dry is used for a starting point for Sensing cycles. Choose normal to save energy. Less Dry removes less moisture and used for loads you may want to put on a hanger to complete drying.

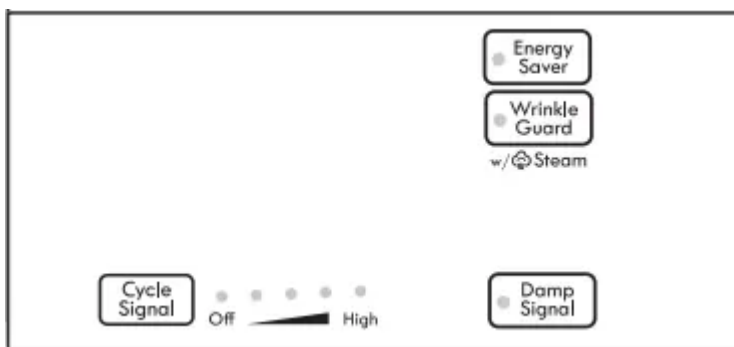
Timed Cycles:

When you select a Timed Cycle, the default time appears in the display. Touch “+” and “-” to increase or decrease the time in 1-minute increments. Touch and hold to change the time in 5-minute increments. The default temperature may be changed by touching Dry Temp until the desired dry temperature is lit.

Steam Refresh:

Reduces light wrinkles from loads left in the dryer too long. Do not add dryer sheets.

6. Select any additional options



Add additional options such as Energy Saver or Damp Signal by touching that option. If you will be unable to remove the load promptly, select the Wrinkle Guard™ options before touching START.



Wrinkle Guard™ or Wrinkle Guard™ w/Steam option (depending on model)

When you are unable to remove a load of clothes from the dryer as soon as it stops, wrinkles can form. The Wrinkle Guard™ option periodically tumbles, rearranges, and fluffs the load to help keep wrinkles from forming. The Wrinkle Guard™ w/Steam setting (depending on model) will add a short steam cycle after 60 minutes to help smooth out wrinkles. Get up to 150 minutes of heat-free, periodic tumbling at the end of a cycle. Touch the WRINKLE GUARD™ button to select ON or OFF at any time before the cycle has ended.

NOTE:

- When the Wrinkle Guard™ option is selected and the Cycle Signal is on, the tone will sound at 15 minutes, 30 minutes, and at the end of Wrinkle Guard™.
- If you open the dryer door prior to the end of the Wrinkle Guard™ option, the dryer will go into Pause mode. You will need to touch Power to turn off or touch Start/Pause to continue Wrinkle Guard™ option.

7. Touch and hold START/PAUSE to begin cycle



Touch and hold the START/PAUSE button to begin the cycle. Promptly remove items after cycle has completed to reduce wrinkling. Use the Wrinkle Guard™ option to avoid wrinkling when you are unable to remove a load from the dryer as soon as it stops.

Changing the Sensing Cycle settings to increase or decrease drying time

If all your loads on all Automatic Cycles are consistently less dry or more dry than you would like, you may change the default settings to increase or decrease the default dryness level.

Your automatic drying settings can be adjusted to adapt to different installations, environmental conditions, or personal preference. This change is retained and will affect all of your Automatic Cycles, not just the current cycle/load. There are 5 drying settings, which are displayed using the time display:

- 0 Much wetter clothes, 30% less drying time.
- 1 Slightly wetter clothes, 15% less drying time.
- 2 Factory preset dryness level.

3 Slightly drier clothes, 15% more drying time.

4 Much drier clothes, 30% more drying time.

To change the drying settings:

NOTE: The settings cannot be changed while the dryer is running or paused. The dryer must be in standby mode (power is off) to adjust the default settings.

1. Before starting a cycle, touch and hold DRY LEVEL for 3 seconds.
2. Touch DRY LEVEL to select the dryness level shown in the time display: 0, 1, 2, 3, or 4.
3. Touch START/PAUSE to save the new dryness level setting.

ADDITIONAL FEATURES

Using the Drying Rack

To obtain a drying rack for your dryer, order by calling 1-877-944-7566. You will need your model and serial number and the purchase date. Remove and discard any packing material before use.

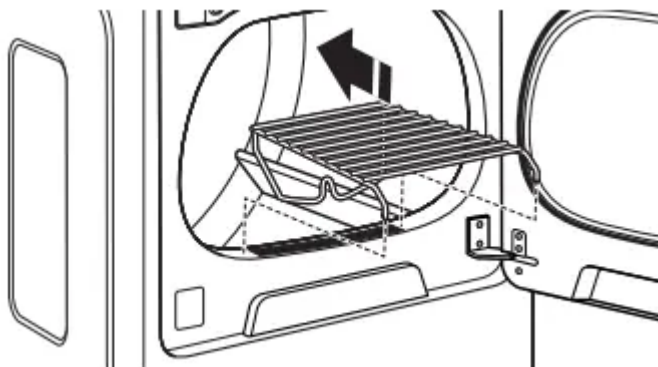
Use the Drying Rack for items that you do not want to tumble dry, such as sweaters and tennis shoes. When you use the drying rack, the drum continues to turn, but the rack remains stationary.

The drying rack is intended for use with the Timed Cycles only. The drying rack cannot be used with Sensing/Automatic Cycles.

To use the drying rack:

IMPORTANT: Do not remove the lint screen.

1. Open dryer door.



2. Align the two hooks on the front of the drying rack with the holes in the dryer door opening and press down fully into holes. Rest the rear support on the dryer back ledge.



3. Place wet items on top of the drying rack. Allow space around items for air to circulate. The drying rack does not move, but the drum will rotate; be sure to leave adequate clearance between items and the inside of the dryer drum. Make sure items do not hang over the edges or between drying rack grille.
4. Close the door.
5. Select a Timed Dry/Air Only, or Low Temperature cycle. Items containing foam, rubber, or plastic must be dried on a clothesline or by using the Air Only setting.
6. When the cycle is selected, the Estimated Time Remaining display shows the default time. You can change the actual time in the cycle by increasing or decreasing the cycle time.
7. Start the dryer.

NOTE: Check the lint screen and remove any lint accumulated from items dried on the drying rack after the cycle is finished.

DRYER CARE

Cleaning the dryer location

Keep dryer area clear and free from items that would block the air flow for proper dryer operation. This includes clearing piles of laundry in front of the dryer.

Cleaning the dryer interior

To clean dryer drum

1. Apply a liquid, nonflammable household cleaner to the stained area of the drum and rub with a soft cloth until stain is removed.
2. Wipe drum thoroughly with a damp cloth.
3. Tumble a load of clean cloths or towels to dry the drum

OR

Use a microfiber cloth and hot water in a spray bottle to clean the drum and a second microfiber towel to dry.

NOTE: Items that contain loose dyes, such as denim blue jeans or brightly colored cotton items, may discolor the dryer interior. These stains are not harmful to your dryer and will not stain future loads of clothes. Dry these items inside out to avoid drum staining.

Removing accumulated lint

From Inside the Dryer Cabinet

Lint should be removed every 2 years, or more often, depending on dryer usage. Cleaning should be done by a qualified servicer.

From the Exhaust Vent

Lint should be removed every 2 years, or more often, depending on dryer usage.

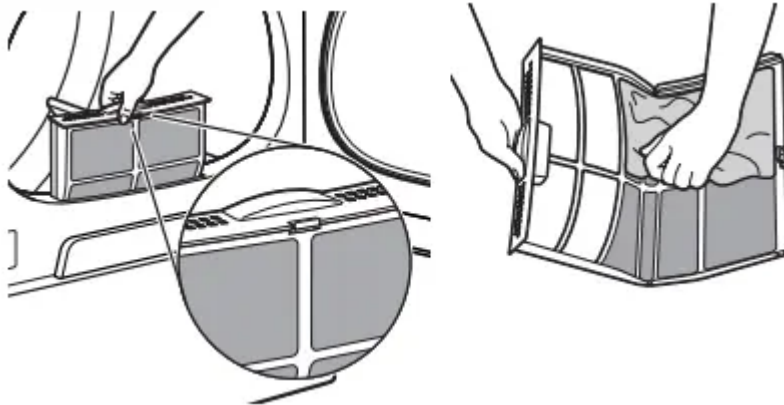
Cleaning the lint screen

Every load cleaning

The lint screen is located in the door opening of the dryer. The control panel has an indicator light “Check Lint Screen” to remind you to clean the lint screen after each load. A screen blocked by lint can increase drying time.

To clean:

1. Pull the lint screen straight up and out. Press tab down on front to open lint screen. Roll lint off the screen with your fingers. Do not rinse or wash screen to remove lint. Wet lint is hard to remove.

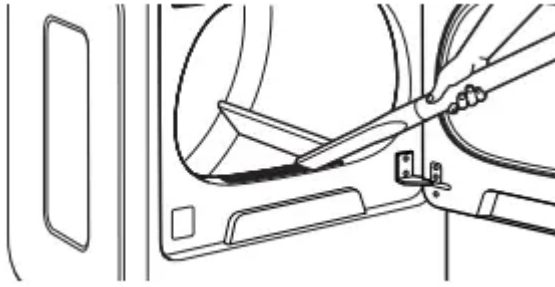


2. Close the lint screen and push firmly back into place.

IMPORTANT:

- Do not run the dryer with the lint screen loose, damaged, blocked, or missing. Doing so can cause overheating and damage to both the dryer and fabrics.
- If lint falls off the screen into the dryer during removal, check the exhaust hood and remove the lint. See “Venting Requirements” in the Installation Instructions.

- Clean space where lint screen is located, as needed. Using a vacuum, gently remove any lint that has accumulated outside of the lint screen.



As needed cleaning

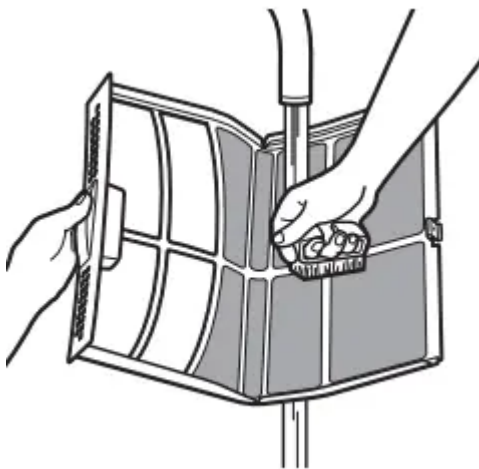
Laundry detergent and fabric softener residue can build up on the lint screen. This buildup can cause longer drying times for your clothes, or cause the dryer to stop before your load is completely dry. The screen is probably clogged if lint falls off while the screen is in the dryer.

Clean the lint screen with a nylon brush every 6 months, or more frequently, if it becomes clogged due to a residue buildup.

To wash:

1. Roll lint off the screen with your fingers.
2. Wet both sides of lint screen with hot water.
3. Wet a nylon brush with hot water and liquid detergent. Scrub lint screen with the brush to remove residue buildup.
4. Rinse screen with hot water.
5. Thoroughly dry lint screen with a clean towel.

Reinstall screen in dryer.



Vacation, storage, and moving care

Steam models only: Install and store your dryer where it will not freeze. Because some water may stay in the hose, freezing can damage your dryer. If storing or moving your dryer during freezing weather, winterize it.

Non-Use or Storage Care

Operate your dryer only when you are at home. If you will be on vacation or not using your dryer for an extended period of time, you should:

1. Unplug dryer or disconnect power.
2. Clean lint screen. See "Cleaning the Lint Screen."
3. Turn off the water supply to the dryer. This helps to avoid unintended flooding (due to a water pressure surge) while you are away

Moving Care

For power supply cord-connected dryers:

1. Unplug the power supply cord.
2. Gas models only: Close shut-off valve in gas supply line.
3. Gas models only: Disconnect gas supply line pipe and remove fittings attached to dryer pipe.
4. Gas models only: Cap the open fuel supply line.
5. Steam models only: Shut off water faucet.
6. Disconnect the water inlet hose from faucet, then drain the hose. Transport hose separately.
7. Make sure leveling legs are secure in dryer base.
8. Use tape to secure dryer door.

For direct-wired dryers:

1. Disconnect power.
2. Disconnect wiring.
3. Steam models only: Shut off water faucet.
4. Steam models only: Disconnect the water inlet hose from faucet; then drain the hose. Transport hose separately.
5. Make sure leveling legs are secure in dryer base.
6. Use tape to secure dryer door.

Reinstalling the Dryer

Follow the Installation Instructions to locate, level, and connect the dryer.

SPECIAL INSTRUCTIONS FOR STEAM MODELS

Water Inlet Hose

Replace inlet hose and hose screen after 5 years of use to reduce the risk of hose failure. Periodically inspect and replace inlet hose if bulges, kinks, cuts, wear, or leaks are found.

When replacing your inlet hose, record the date of replacement.

To Winterize the Dryer

1. Unplug dryer or disconnect power.
2. Shut off water faucet.
3. Disconnect water inlet hose from faucet and drain.

To Use the Dryer Again

1. Flush water pipes. Reconnect water inlet hose to faucet. Turn on water faucet.
2. Plug in dryer or reconnect power as described in the Installation Instructions.

TROUBLESHOOTING

First try the solutions suggested here for assistance and to possibly avoid a service call.

If you experience	Possible Causes	Solution
Dryer Operation		
Dryer will not run	Door not closed completely.	Make sure the dryer door is closed completely.
	START/PAUSE touched with fingernail or not touched long enough.	Touch and hold START/PAUSE for up to 3 seconds with the pad of finger.
	Household fuse is blown or circuit breaker has tripped.	There may be 2 household fuses or circuit breakers for the dryer. Check that both fuses are intact and that both circuit breakers have not tripped. Replace the fuses or reset the circuit breaker. If the problem continues, call an electrician.
	Incorrect power supply.	Electric dryers require 240-volt power supply. Call a qualified electrician.
Wrong type of fuse.	Use a time-delay fuse.	
Dryer will not turn off	Dryer door was opened prior to the end of the Wrinkle Guard™ option.	If you open the dryer door prior to the end of the Wrinkle Guard™ option, the dryer will go into Pause. You will need to touch Power to turn off or touch Start/Pause to continue Wrinkle Guard™.
Dryer will not heat	Household fuse is blown or circuit breaker has tripped.	The drum may be turning, but you may not feel heat. Electric dryers use 2 household fuses or circuit breakers. Replace the fuses or reset the circuit breaker. If the problem continues, call an electrician.
	Incorrect power supply.	Electric dryers require 240-volt power supply. Call a qualified electrician.
	Supply line valve not open.	For gas dryers, make sure that the valve on the gas supply line is open.
Unusual Noise		
Humming or whining noise with Steam cycle selected	Water pump on dryer is running.	The water pump on the dryer is used during the Steam cycle function. If the dryer has just been installed or after an extended period, the pump may be louder than normal for a longer. This is normal.

Thumping noise	Dryer hasn't been used in a while.	This is normal. The thumping sound should go away after a few minutes of use.
Rattling or vibrating noise	A small object caught between the edges of dryer drum.	Check the front and rear edges of the drum for objects. Clean out pockets before laundry.
	Dryer isn't properly leveled.	The dryer may vibrate if not properly installed. See the Installation Instructions. All four dryer feet should be in firm contact with the floor.
	Clothing is balled up in dryer.	When balled up, the load will bounce, causing noise and vibration. Separate the load items and restart the cycle.
Clicking noise	Gas valve operating.	On gas dryers, you may hear the gas valve open and close. This is normal.
Dryer Results		
Drying times are too long and clothes are not getting dry	Lint screen or lint screen housing is clogged with lint.	Clean lint screen before each load. Clean lint screen housing if lint screen is located, as needed. Using a vacuum, remove any lint that has accumulated outside the lint screen.
	The exhaust vent or outside exhaust hood is clogged with lint, restricting air movement.	Run the dryer for 5—10 minutes. Hold your hand to the outside exhaust hood to check air movement. If you do not feel air movement, clean exhaust screen and vent. Replace exhaust vent with heavy metal or flexible metal vent. See the Installation Instructions.
	The exhaust vent is not the correct length.	Check that the exhaust vent is not too long or has too many turns. Long venting will increase drying time. See the Installation Instructions.
	The exhaust vent diameter is not the correct size.	Use 4" (102 mm) diameter vent material.
	The dryer is not level.	Clothes not contacting the moisture sensor. See the Installation Instructions for Sensing Cycles. See "Level Dryer" in the Installation Instructions.
	The Air Dry Temp setting has been selected.	Select the correct temperature for the type of clothes being dried. See "Cycle Guide."



Drying times are too long and clothes are not getting dry	The load is too large and heavy to dry quickly.	Separate the load to tumble freely.
	Fabric softener sheets are blocking the grille.	The air outlet grille is just inside the door, behind the screen. Check that it is not blocked by a fabric softener sheet. Use only one fabric softener sheet, and use it correctly.
	The dryer is located in a room with temperature below 45°F (7°C).	Proper operation of dryer cycles requires temperatures above 45°F (7°C).
	The dryer is located in a closet.	Closet doors must have ventilation openings at the top and bottom of the door. The front of the dryer requires a minimum of 1" (25 mm) of airspace, and, for vented installations, the rear of the dryer requires 6" (152 mm) of clearance. See the Installation Instructions.
Cycle time is too short	The load may not be contacting the sensor strips on Sensing Cycles.	Level the dryer. See the Installation Instructions. The dryer feet should be in firm contact with the floor.
	Clothes are coming out of the Steam Refresh cycle with damp or wet spots.	Under certain environmental or installation conditions, clothes may experience under drying.
	The sensing cycle is ending early.	Change the dryness level setting on Sensing Cycles. Increasing or decreasing the dryness level changes the amount of drying time in a cycle. If loads are ending too early, see also "Changing the Sensing Cycle Settings to Increase or Decrease Drying Time."
Lint on load	Lint screen is clogged with lint.	Clean lint screen before each load.
Stains on load	Improper use of fabric softener.	Add dryer fabric softener sheets at the beginning of the cycle. Fabric softener sheets added to a partially loaded dryer can stain your garments. Do not use fabric softener sheets with steam cycles.
Stains on drum	Loose dyes in clothes.	Drum stains are caused by dyes in clothing (e.g., jeans). These will not transfer to other clothes.

Loads are wrinkled



	The load was not removed from dryer at the end of the cycle.	Select Steam Refresh cycle to tumble the load and heat. This cycle is best for smoothing and reducing odors from dry loads consisting of free cotton, cotton-polyester blends, common synthetics. NOTE: Refer to garment care label instructions. Clean-only garments are not recommended.
	The dryer was tightly packed.	Dry smaller loads that can tumble freely. Results vary depending on fabric type.
	For steam cycles, the water is not properly connected with the dryer.	Make sure water is connected to the dryer. The water inlet hose is connected to both the front and back of the dryer's water inlet valve. Check that the water is turned on.
Odors	Recent painting, staining, or varnishing in the area where your dryer is located.	Ventilate the area. When the odors or fumes clear from the area, rewash and dry the clothing.
	For steam cycles, the water is not properly connected with the dryer.	Make sure water is connected to the dryer. The water inlet hose is connected to both the front and back of the dryer's water inlet valve. Check that the water is turned on.
	Odors are left in garments after wearing.	To remove odors left in garments after wearing, use the Steam Refresh cycle. This cycle is best for reducing wrinkles and odors from dry loads consisting of white cotton, cotton-polyester blends, common knits, and



Load too hot	Load removed before cool down portion of cycle complete.	Allow the dryer to complete the cool down cycle before removing the load.
	Using Timed Dry cycle with a high temperature setting.	Select a Sensing Cycle with a lower heat setting to avoid overdrying the load.
Dryer Displaying Code Message or Indicator Is Lit		
“PF” (power failure)	The drying cycle has been interrupted by a power failure.	Touch and hold START to restart the dryer. Press any key to clear the power to clear the display.
“L2” Diagnostic Code (low or no line voltage condition)	There may be a problem with your home power supply, keeping the dryer’s heater from turning on.	<p>The dryer will continue to run when this diagnostic code is present. Touch any pad to clear the code from the display and return to the estimated time remaining.</p> <p>Try the following:</p> <ul style="list-style-type: none"> • Check to see if a household fuse has blown or a circuit breaker has tripped. Electric dryers use two 20-amp fuses or breakers. Replace the fuse or reset the breaker. • Confirm that the power cord is properly inserted into the outlet. See the Installation Instructions for details. • Select a Timed Dry heated cycle, and reset the dryer. <p>If the message persists, consult a qualified electrician.</p>
“--”	Cycle knob is not on cycle.	This is not an error. The selector knob is not on a cycle. Rotate your selector knob until a cycle light is lit.
“Check Vent” cycle status indicator lights up (blocked vent or low airflow condition)	The lint screen or vent is clogged; the vent is crushed, kinked or has too many turns.	<p>The dryer will continue to run when this diagnostic code is present.</p> <p>Touch any key to clear the code from the display and return to the estimated time remaining.</p> <p>Try the following:</p> <ul style="list-style-type: none"> • Clean lint screen. • Check to see if the vent run from the dryer to the outside is crushed or kinked. • Confirm that the vent run from the dryer to the outside is free of lint and debris.

		<ul style="list-style-type: none"> • Confirm that the exterior vent exhaust hood is clear of lint and debris. • Confirm that your vent system falls within the recommended run length and number of elbows for the type of vent you are using. Refer to “Plan View” in the Installation Instructions for details. <p>Select a Timed Dry heated cycle, and restart the cycle.</p> <p>If the message persists, have your entire household dryer vent system cleaned. Contact a venting specialist.</p>
“F# E#” (F1 E1, F3 E1, etc.) variable service codes.	The dryer is in need of service.	If a code beginning with an “F” appears in an error message, alternating between F# and E#, the dryer has detected a problem that requires service. (F# E#)

Warning

This content is compiled from multiple sources and is provided for reference purposes only. It may not be complete or fully applicable to all situations. If you are unable to resolve your issue, please contact the product manufacturer or an authorized service provider for official support.

