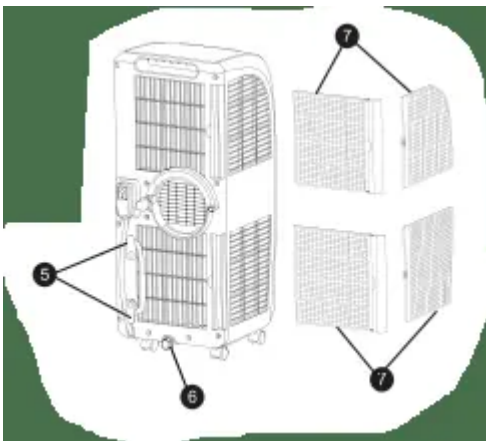
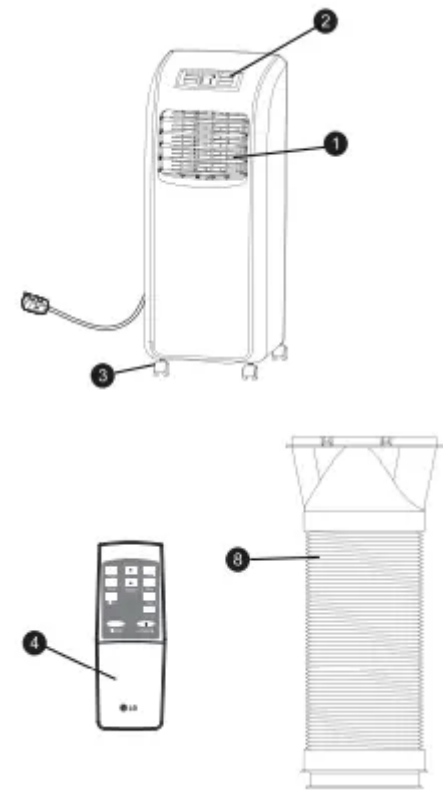


## KEY PARTS AND COMPONENTS



### 1. AIR DISCHARGE

The direction of ae can be controlled wherever you want to cool! by adjusting the horizontal louver.

The horizontal direction is adjusted by moving the lever to the left or right

Touching the horizontal louvers adjusts the air direction up or down

### 2. CONTROL PANEL AND DISPLAY

Easy-to-read digital display shows the set temperature and indicator lights show the operating mode. Simple push buttons make changing settings quick and easy.

### **3. SWIVELING CASTERS**

Swiveling casters allow you to move the air conditioner easily on most floor surfaces.

### **4. INFRARED REMOTE CONTROLLER**

The remote controller allows you to adjust the temperature and operate most functions of the air conditioner from across the room

### **5. POWER SUPPLY CORD HOLDER**

Wrap the power supply cord around the holders for your

### **6. BOTTOM DRAIN PORT**

Before moving the air conditioner, drain the internal water in the collection tank completely by using bottom drain port.

### **7. AIR FILTER**

### **8. HOSE AND DIFFUSER**

Use the diffuser and hose to connect the air conditioner to the window installation kit to vent exhaust air outside.

## **HOW TO USE**

### **BEFORE USING YOUR AIR CONDITIONER**

#### **PREPARING FOR OPERATION**

Refer to the Installation Instructions included in this manual before using the air conditioner. (Once the air conditioner has been properly assembled and installed:

1. Plug the power cord into its own dedicated properly grounded outlet. Do not plug other appliances into the same outlet; it could overload the outlet and create a fire hazard.
2. Make sure the air conditioner and cord is positioned where it does not create a tripping hazard and will receive adequate ventilation. Do not place it directly next to furniture or objects that could block the vent openings.
3. Make sure that any items that could be blown over or damaged by the airflow from the fan are out of the airflow path.

#### **IMPORTANT:**

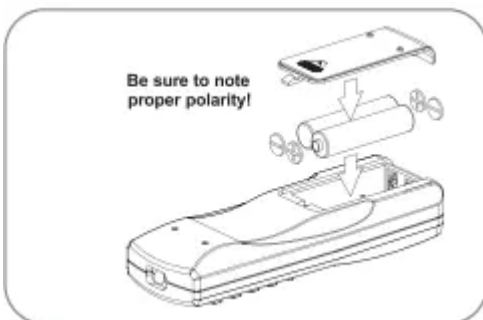
- Do not remain in the direct airflow from the air conditioner for extended periods of time.

- When used at the same time as stoves, fireplaces, and other combustion devices, make sure there is a sufficient flow of fresh air into the room. Do not use in tightly enclosed spaces with these types of devices.
- This air conditioner is intended for household use as a consumer comfort appliance. Do not use it as a precision climate control system, or for purposes such as cooling precision equipment, food, pets, plants, artwork, etc. Such items could be damaged.
- Do not bend the hose downward when window installation kit is not applied. It may cause failure of air conditioner or performance deterioration.

## INSERTING BATTERIES IN THE REMOTE

Before using your remote, AAA batteries.

1. Press and glide the battery cover on the back of the remote, then you can remove the cover.
2. Insert two new alkaline AAA batteries into the battery compartment, being sure to note the proper polarity.
3. Reattach the battery cover.



## NOTE

- Use only alkaline batteries. Do not use rechargeable batteries.
- When replacing batteries, always replace both batteries with new batteries. Do not mix old and new batteries.
- If the air conditioner will not be used for an extended period of time, remove the batteries from the remote.

## CONTROL PANEL AND REMOTE



Operation of functions is the same when using the remote or the control panel. unless otherwise stated.

**NOTE:**

- The remote sensor is located under the LED display. Point the remote anywhere at the sensor. The remote may not work if the sensor is in bright light or if there is not a clear path between the remote and the sensor.

**1. POWER**

Press the POWER button to turn the air conditioner ON or OFF. Any control settings such as Cool, Dry, Fan, and Fan Speed will be retained in memory when the power is off. When turned on after being unplugged. the air conditioner will automatically reset. Any settings will need to be re-entered

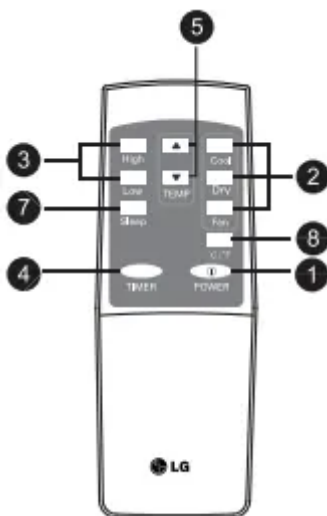
**2. MODE**

Press this button to select the operating mode such as Cool. Dry. or Fan for the air conditioner. And you can see the active mode through the indicator lights. The default setting is Cool. Press the MODE button to change to Dry. press again to change to Fan “and again to change to Cool.

Mode	Features
<b>COOL</b>	Compressor runs and cools the room. Use the ▲ / ▼ and FAN buttons to set the desired temperature and circulation fan speed.
<b>FAN</b>	Fan circulates air but compressor does not run. Use the FAN button to set the desired fan speed.
<b>DRY</b>	Dry mode is used to remove humidity from the room without additional cooling. Fan speed is pre-set and cannot be adjusted.

**3. FAN**

Adjusts the circulation fan speed between High and Low fan speed. The selected fan speed will be shown through the indicator lights. The function can be used in Cool and Fan modes. When changing fan speeds. there is a brief delay before the fan motor changes speed.



#### 4. TIMER

When the TIMER function is selected, you can set the air conditioner to either automatically turn OFF or turn ON after a delay of up to 24 hours. The display will show 0. Use the ▲ / ▼ buttons to adjust the delay time from 1 to 24 hours, in one hour increments.

To set an automatic off delay, press the TIMER button while the air conditioner is running and use ▲ / ▼ the buttons to adjust the delay time. Air conditioner will automatically turn off after the set delay.

To set an automatic on delay, press the TIMER button while the air conditioner is off and use ▲ / ▼ the buttons to adjust the delay time. The display will show the number of hours remaining until the unit is set to come on. The air conditioner will automatically turn on after the set delay.

If you want to know how many hours you have set, press the TIMER button and then you can see the time through the LED display.

If you want to change the set timer, press the TIMER button and adjust the time when the number is flickering.

To cancel the Timer function, press the TIMER button and adjust the number to 0 when the number is flickering, then the function will be canceled in a few seconds.

Another better method is press the TIMER button and press this button again when the number is still flickering.

#### 5. ▲ / ▼ (TEMP/TIMER)

In COOL modes, the ▲ / ▼ buttons adjust the set temperature up to 86°F or down to 62°F, in one degree increments. The temperature can be switched between degrees Fahrenheit and degrees Celsius, pressing ▲ the button and ▼ button at the same time, or pressing °F / °C button on the remote.

When the TIMER function is selected, use the ▲ / ▼ buttons to adjust the delay time from 1 to 24 hours, in one hour increments.

If you press and hold the ▲ / ▼ buttons, the set temperature or time will change automatically after a few seconds.

**NOTE:** The displayed temperature is the SET temperature, not the room temperature. In COOL mode, the thermostat in the air conditioner will run the compressor until the set temperature is reached, then cycle the compressor on and off to maintain the set temperature.

#### 6. LED Display

LED display shows the set temperature, fan speed, or the selected TIMER delay.

Indicators will light to show active mode and additional settings. The WATER FULL indicator will light to indicate when the internal water drain tank needs to be emptied.

## 7. SLEEP

Increases the temperature by 1°F every 2 hours to allow a more comfortable adjustment for the user. This will allow to increase the temperature by a maximum of 2°F.

## 8. °C/°F (CELSIUS AND FAHRENHEIT EXCHANGE BUTTON)

When the displayed temperature is °C (or °F), you can press this button to switch to °F (or °C).

**NOTICE** Plug in. the LED display will light

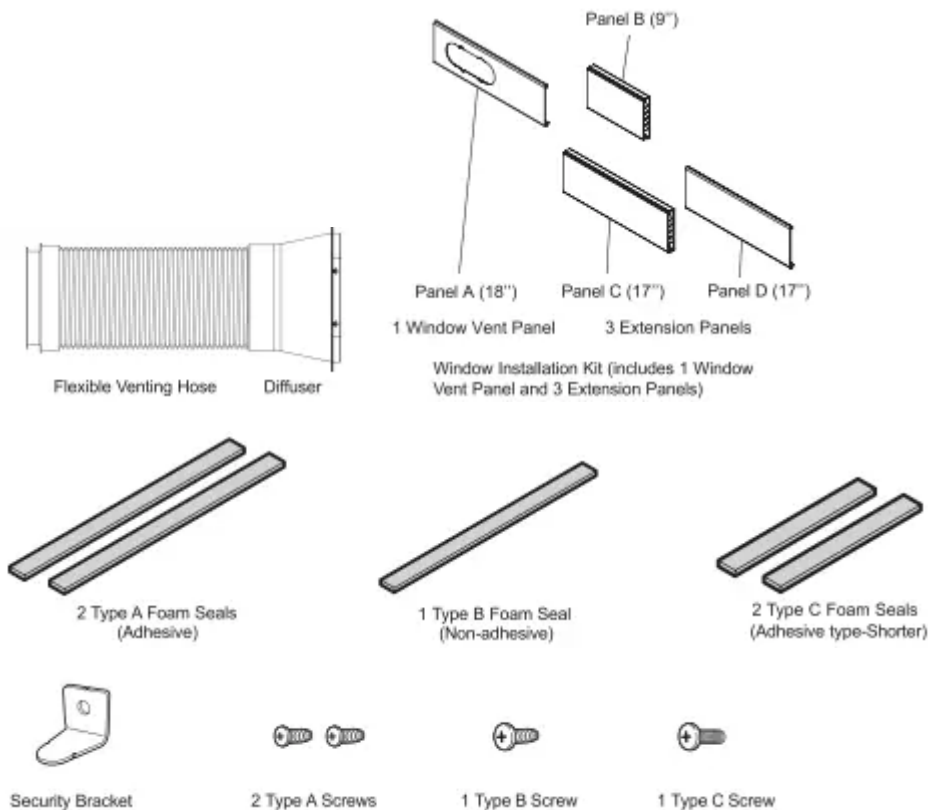
When you plug the power cord into grounded outlet. LED display will show room temperature.



## PREPARING FOR INSTALLATION

### EXHAUST COMPONENTS

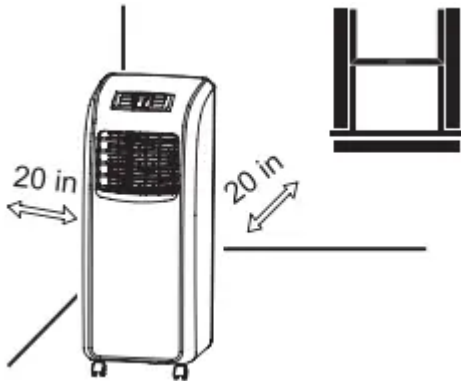
The following components are used for window venting. Not all components are used for every installation.



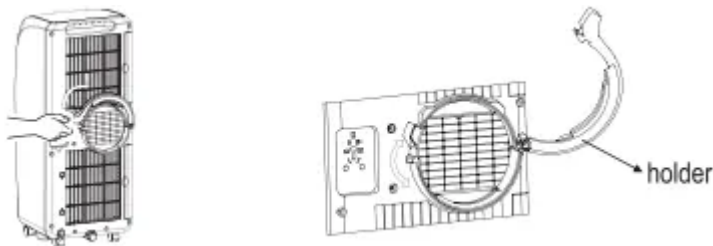
# INSTALLATION INSTRUCTIONS

## SECTION OF INSTALLATION LOCATION

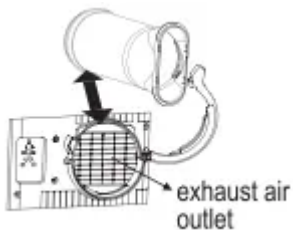
1. Place the unit on a level floor.
2. For best performance, allow at least 20 in of air space on all sides of the unit for good air circulation.
3. Place the unit near a window. The hose and diffuser will be used to connect the air conditioner to the window installation kit to vent exhaust air outside.



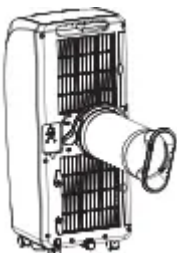
## ATTACHING THE HOSE AND DIFFUSER



1. Grasp and lift to open the holder. Rotate the holder to open it completely. exhaust air



2. Insert the vent hose into the exhaust air outlet on the back of the air conditioner by pushing it downward.



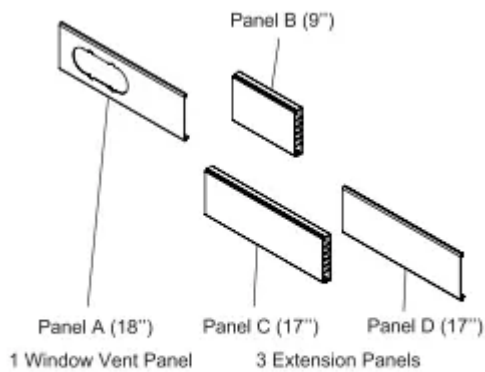
3. Rotate the holder to the closed position. Installation is complete.

## WINDOW VENT PANEL AND EXTENSIONS

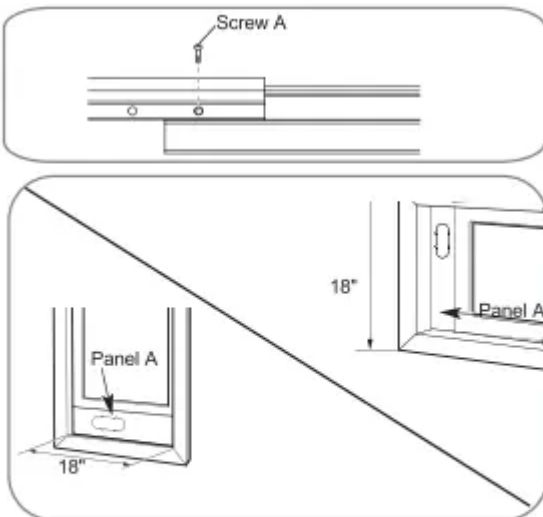
The window installation kit allows you to install the air conditioner in most vertical-sliding windows 18" to 50" wide. or casement-style windows from 18" to 50" high.

Panel	A	B	C	D	Fig.
Window Length	18"	9"	17"	17"	
18"	✓				a
19" - 26"	✓	✓			b
27" - 34"	✓		✓		c
35" - 50"	✓		✓	✓	d

1. Please check your window length and choose the fit panels from the above tabel.
2. If your window length need more than 2 panels. after adjust the length. please use type A screw to fix them.

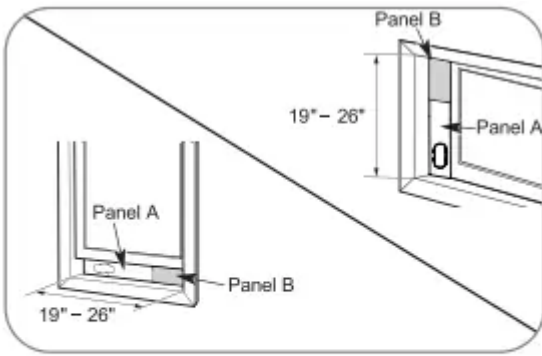


Window Installation Kit (includes 1 Window Vent Panel and 3 Extension Panels)



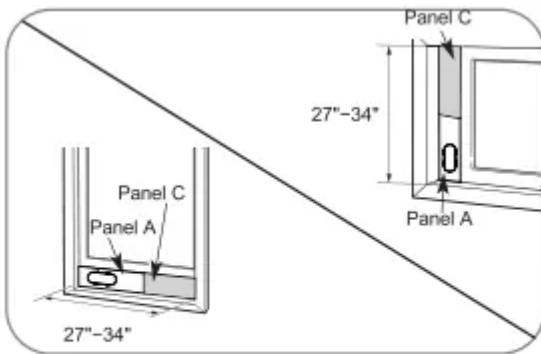
For an 18" window opening, use the window vent panel by itself.

Fig. "a"



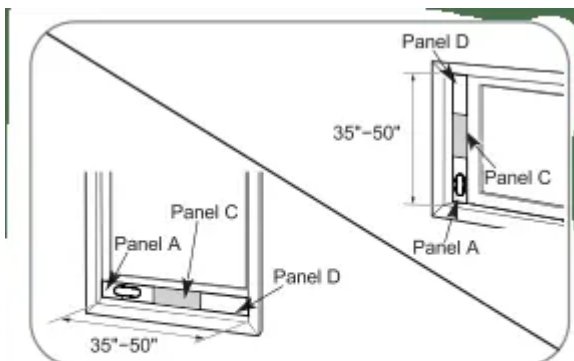
For window openings from 19" to 26", use the window vent panel (Panel A) and an extension panel (Panel B).

Fig. "b"



For window openings from 27" to 34", use the window vent panel (Panel A) and an extension panel (Panel C).

Fig. "c"

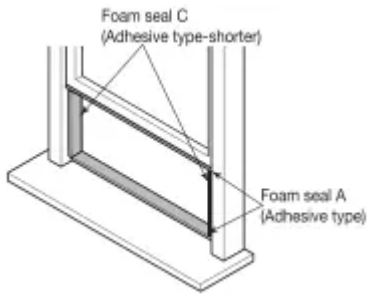


For window openings from 35" to 50", use the window vent panel and two extension panels (Panel C and Panel D).

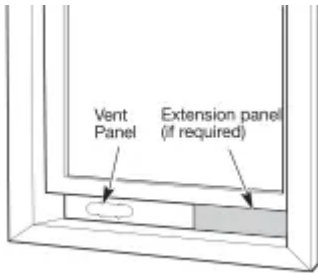
Fig. "d"

## INSTALLATION IN VERTICAL SLIDING WINDOWS

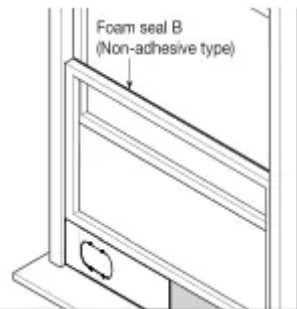
Note: The window installation kit can be used with vertical sliding windows between 18" and 50" wide.



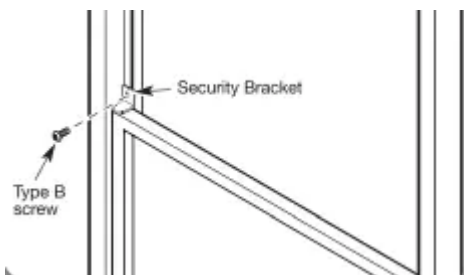
1. Cut the foam seal A (adhesive type) & C (adhesive type-shorter) to the proper length, and attach it to the window sash and frame.



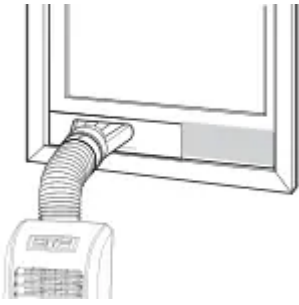
2. Insert the vent panel assembly, including extension panels, if needed, into the window opening. Extend the extension panels, if used.



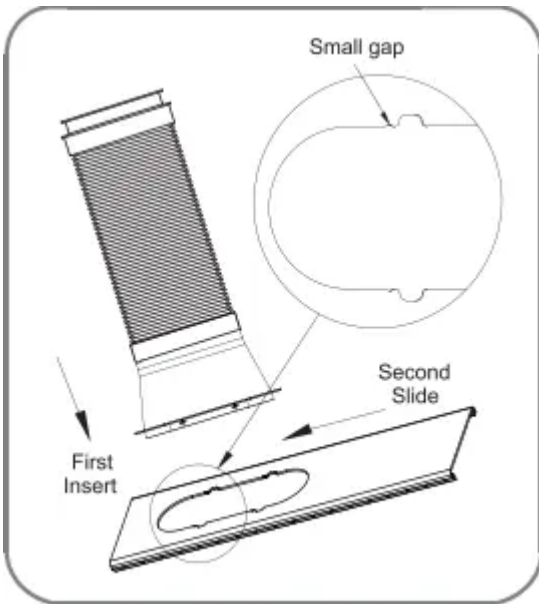
3. Cut the foam seal B (Non-adhesive type) to the window width. Stuff the foam seal B between the glass and the window frame to prevent air and insects from getting into the room.



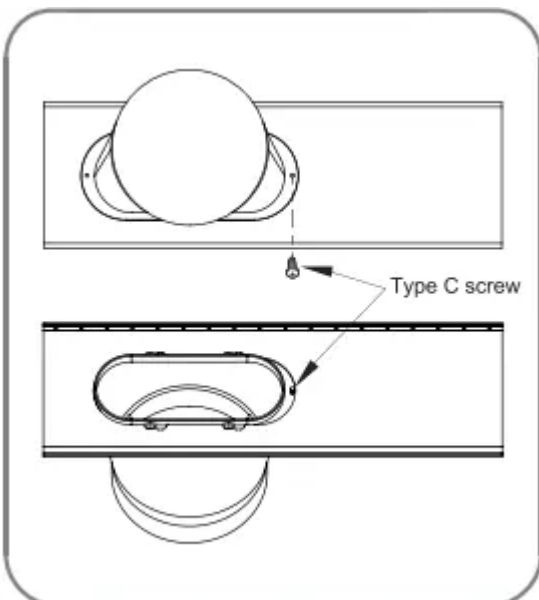
4. Install the security bracket with a type B screw as shown if you need.



5. Insert the diffuser into the Vent Panel. And then slide.



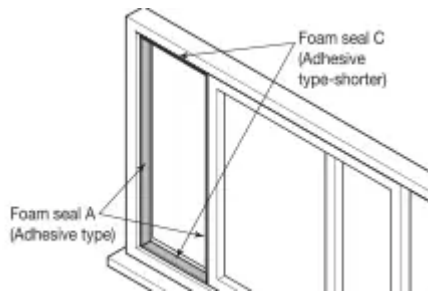
First insert to the vent panel fully and then slide for locking.



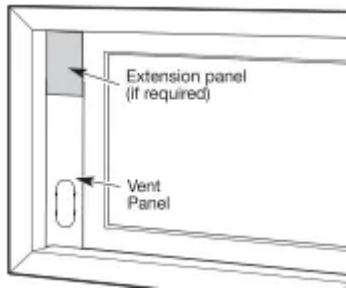
If you want fix the diffuser more firmly, use the type C screw.

## INSTALLATION IN CASEMENT STYPE WINDOWS

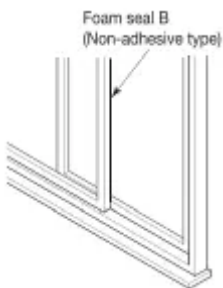
Note: The window installation kit can be used with casement window between 18" and 50" tall.



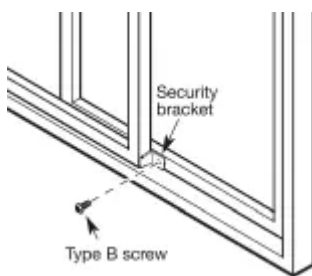
1. Cut the foam seal A (adhesive type) & C (adhesive type-shorter) to the proper length, and attach it to the window sash and frame.



2. Insert the vent panel assembly, including extension panels, if needed, into the window opening. Extend the extension panels, if used.

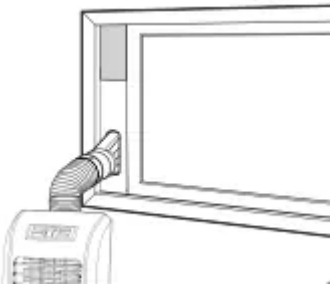


3. Cut the foam seal B (Non-adhesive type) to the window width. Stuff the foam seal B between the glass and the window frame to prevent air and insects from getting into the room.

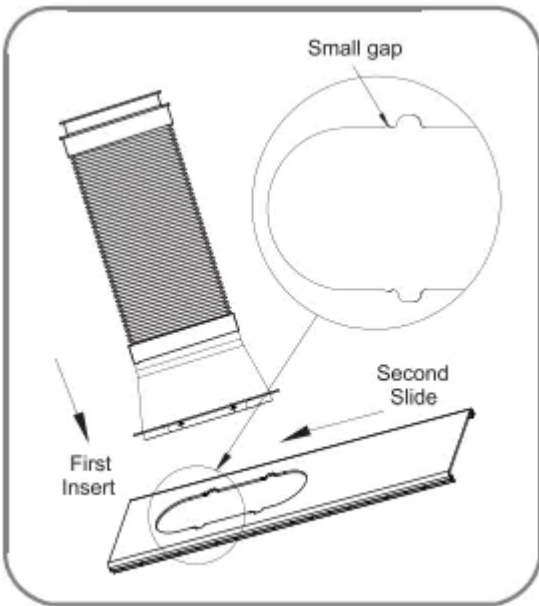


4. Install the security bracket with a type B screw as shown.

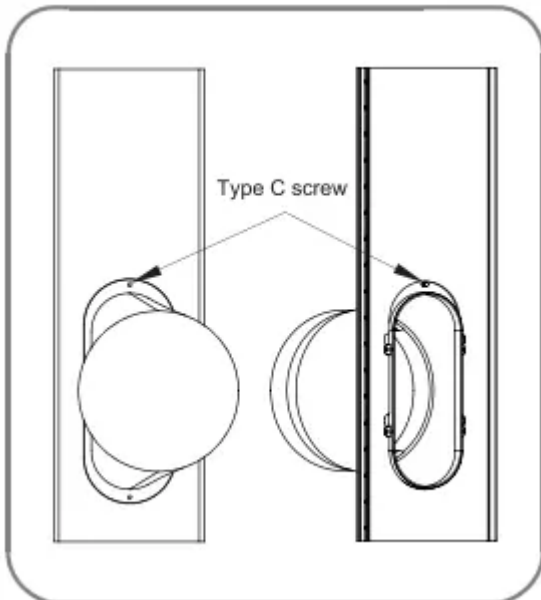




5. Insert the diffuser into the Vent Panel. And then slide.



First insert to the vent panel fully and then slide for locking.



If you want fix the diffuser more firmly, use the type C screw.

## CARE AND CLEANING

### EMPTYING THE WATER COLLECTION TANK

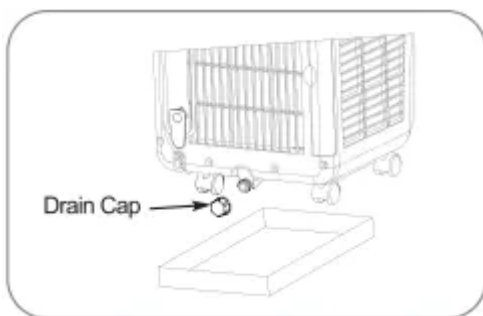
#### Using the bottom drain port

When the internal water collection tank is full. FL will appear in the display and the air conditioner will turn off until the tank is emptied

1. Unplug the air conditioner. disconnect the exhaust hose from the back. and move the air conditioner to a suitable drain location or outdoors. You may also place a pan under the drain that will hold up to 3 pints of water.
2. Remove the drain cap and the rubber plug from the drain outlet.
3. Once the water collection tank is drained. reinstall the rubber plug and the drain cap. making sure it is on securely.
4. Place the air conditioner in the desired location. reconnect the exhaust hose. and plug in the air conditioner.

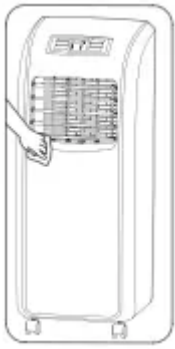
#### Use Drain hose when use the DRY mode

1. When need running in high humidity. or during the DRY mode remove the drain cap and the exhaust from the back of the unit.
2. Install a drain hose (18mm [11/16"] inside diameter) and place the open end of the hose a suitable drain location or outdoors.



### CLEANING THE CASE

- Wipe the case with a slightly damp cloth. then wipe dry with a dry cloth or towel
- To prevent damage to the finish. do not use gasoline. benzene. thinner. etc. or any abrasive cleansers to clean the air conditioner; they may damage the finish.
- Never pour water onto or into the air conditioner. It could damage internal components and create a shock and fire hazard.

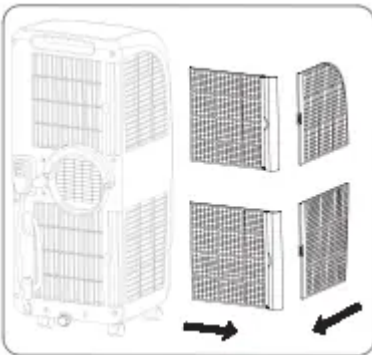


## CLEANING THE AIR FILTER

The air filter should be cleaned every two weeks; depending on indoor air quality, more frequent cleaning may be needed. A dirty air filter will decrease airflow and reduce efficiency.

Do not operate the air conditioner without the air filter in place.

1. Put out the air filter by the handle
2. Use a vacuum cleaner to clean the filter. If the filter is heavily soiled, it can be washed in warm water using a mild detergent. Do not use harsh cleaners or very hot water. Do not wash in a dishwasher.
3. Allow the filter to dry completely before reinstalling
4. Reinsert the filter.



## STORING THE AIR CONDITIONER

If the air conditioner will not be used for an extended period of time:

1. To drain the water collection tank completely, leave the bottom drain cap off long enough to allow any residual water to drain out. Once the tank is completely drained and no more water flows out, reinstall the cap.
2. Remove and clean the filter, allow it to dry completely, then reinstall it.
3. Remove the batteries from the remote
4. Store the air conditioner in a cool, dry location, away from direct sunlight, extreme temperatures, and excessive dust.

Before using the air conditioner again:

1. Make sure the filter and drain cap are in place
2. Check the power cord to make sure it is in good condition, with no cracks or damage.
3. Place new batteries in the remote
4. Install the air conditioner as described in the installation instructions

## TROUBLESHOOTING

### Air conditioner does not start

- The air conditioner is unplugged.

Make sure the air conditioner plug is pushed completely into the outlet.

- The fuse is blown/circuit.

Check the house fuse circuit breaker box and replace the fuse or reset the breaker.

- Power failure.

If power failure occurs, turn the mode control to Off. When power is restored, wait 3 minutes to restart the air conditioner to prevent tripping of the compressor overload.

- The current interrupter device is tripped.

Press the RESET button located on the power cord plug. If the RESET button will not stay engaged, discontinue use of the air conditioner and contact a qualified service technician.

- WATER FULL indicator light in the display.

The water collection tank is full. Drain the tank and reset your settings.

- Room temperature is less than the set temperature.

This is normal. The air conditioner automatically shuts off when the room equals or is less than the set temperature. Adjust the temperature setting, if needed.

### Air conditioner does not cool as it should

- Airflow is restricted.

Make sure there are no curtains, blinds, or furniture blocking the front of the air conditioner.

- The temp control may not be set correctly.

In COOL mode, press the DECREASE pad.

- The air filter is dirty.

Clean the filter at least every 2 weeks. See the Care and Cleaning section

- The room may have been hot.

When the air conditioner is first turned on, you need to allow time for the room to cool down.

#### **Air conditioner freezing up**

- The cooling coils are iced over.

Ice may block the air flow and obstruct the air conditioner from properly cooling the room. Set the mode control at High Fan or High Cool.

#### **Air conditioner runs too often or too long.**

- Area to be cooled is too large for the air conditioner

Consult your dealer for the air conditioner capacity necessary to cool the desired area.

- Doors or windows are open.

Make sure doors and windows are closed.

### **BEFORE CALLING FOR SERVICE**

#### **FL**

- The water collection tank is full.

Empty the water collection tank. See the Care and Cleaning section.

#### **E1**

- Short or open circuit in the indoor air thermistor.

Unplug the air conditioner and contact your authorized LG service center.

#### **E2**

- Short or open circuit in the indoor pipe thermistor.

Unplug the air conditioner and contact your authorized LG service center.

#### **E4**

- The coil sensor temperature is low, the unit will stop and display E4 to defrost.

After defrost, the unit will re-start.

#### **Warning**

This content is compiled from multiple sources and is provided for reference purposes only. It may not be complete or fully applicable to all situations. If you are unable to resolve your issue, please contact the product manufacturer or an authorized service provider for official support.

