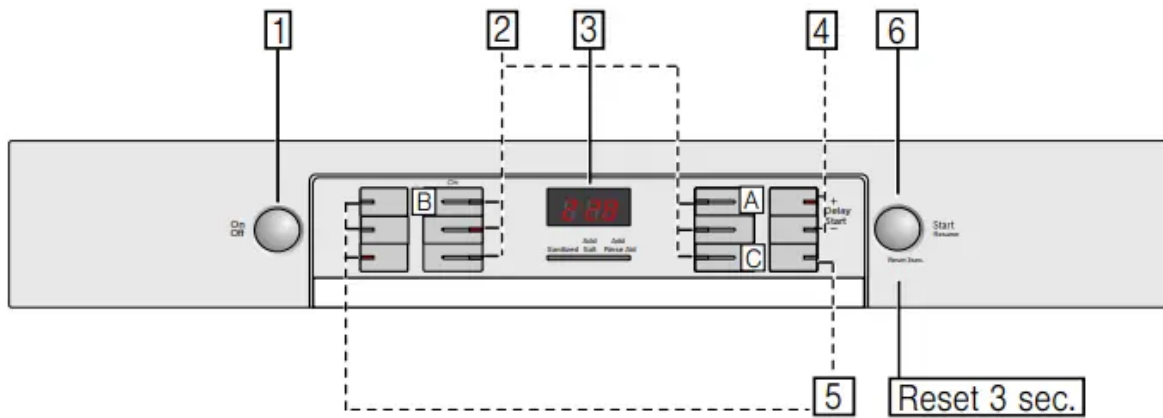
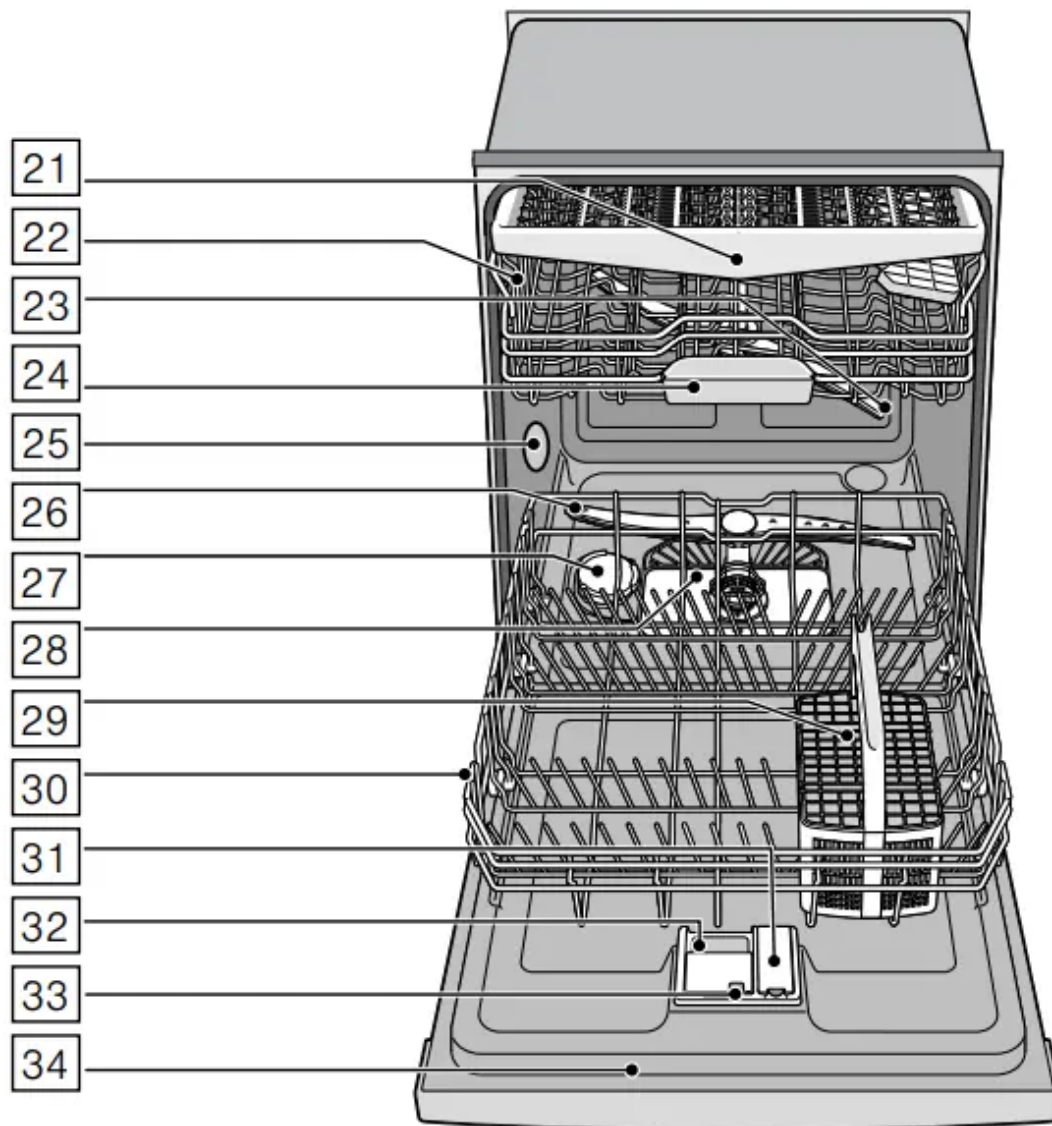


Getting Started

Appliance overview





The dotted lines show optional features which may or may not be included with your dishwasher. The numbers stated below refer to the overview images on the previous page of this manual.

Operating panel

1. On/Off button
2. Wash cycles**
3. Digital display
4. Delay start button
5. Wash cycle options**
6. Start button

Note: Some of the wash cycles and options will vary by model

Dishwasher interior components

21 Third rack

22 Upper rack

23 Upper spray arm

24 Detergent tab tray

25 Vent hole

26 Lower spray arm

27 Dispenser for special salt

28 Filters

29 Silverware basket

30 Lower rack

31 Rinse aid dispenser

32 Detergent dispenser

33 Lock for detergent dispenser

34 Rating plate

Display indicators

0:00 Cycle time remaining

Sanitized Lights up when sanitation requirements are met

Add Salt Lights up when salt is low

Add Rinse Aid Lights up when rinse aid is low

Menu overview

The dishwasher has been preset with certain settings for your convenience. You can change these factory settings.

Use the function keys **A**, **B** and **C** to change the settings. See instructions →



Operating the Dishwasher" on page 30

Setting	Factory setting	Description
H Water hardness <i>H:00 - H:07</i>	<i>H:00</i>	Setting the water hardness. When using Multitabs, select the lowest setting.
d Intensive drying <i>d:00 - d:01</i>	<i>d:00 / Off</i>	Improved drying for glasses and plasticware.
r Rinse aid <i>r:00 - r:06</i>	<i>r:05</i>	Amount of rinse aid affects drying. When using Multitabs, select setting 0.
P Auto power off <i>P:00 - P:02</i>	<i>P:00</i>	Dishwasher switches off automatically after wash cycle is complete.

Water softening system / special salt

To ensure good rinsing results, the dishwasher requires soft water, i.e. water which is low in lime, otherwise limescale will be deposited on the utensils and interior container. Tap water above 7° dH (1.2 mmol/l) must be softened. The water is softened with special salt (regeneration salt) in the water softening system of the dishwasher. The setting and therefore the required amount of salt depends on the degree of hardness of your tap water (see following water hardness table).

Water hardness table

Water hardness value Grains/gallon (gpg)	Hardness range	mmol/l	Water softener setting
0-6	soft	0-1.1	<i>H:00</i>
7-8	soft	1.2-1.4	<i>H:01</i>
9-10	medium	1.5-1.8	<i>H:02</i>
11-12	medium	1.9-2.1	<i>H:03</i>
13-17	medium	2.2-2.9	<i>H:04</i>
18-22	hard	3.0-3.7	<i>H:05</i>
23-31	hard	3.8-5.4	<i>H:06</i>
32-52	hard	5.5-8.9	<i>H:07</i>

Adjusting the water softening system

The amount of salt dispensed can be set from *H:00* to *H:07*. Salt is not required at the set value *H:00*

Set the softening system as follows:

1. Ask your local water utility company for the water hardness value of your tap water or use test strip.
2. Required setting can be found in the water hardness table.
3. Press On/Off button **1**
4. Hold down function key **A** and press Start button **6** until the display **3** indicates **H:0x** (x can be any number).
5. Release both buttons. The indicator of function key **A** flashes and the display **3** indicates **H:00**. Press function key **C** to select the desired setting.
6. Press Start button **6** save the setting.

The chosen setting has now been stored.

Using special dishwasher salt

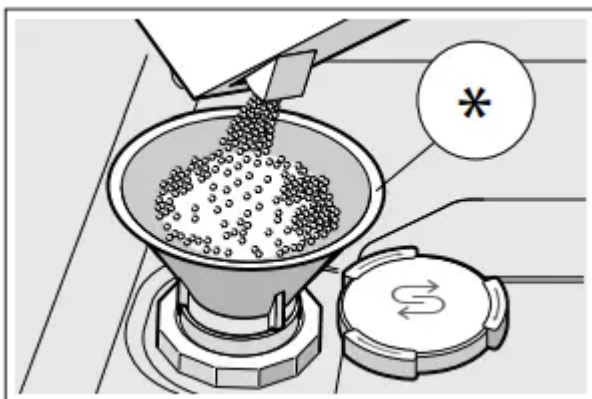
As soon as the low salt indicator lights up on the digital display **3**, salt should be topped off. Always refill with special salt immediately before switching on the appliance. This ensures that overrun special salt solution is immediately washed out and does not corrode the rinsing tub.

NOTICE Detergent will destroy the water softening system! Never pour detergent into the salt dispenser

Top off the salt as follows:

1. Undo the screw plug on the dispenser **27**
2. Fill the dispenser with water (required only when switching on the appliance for the first time).
3. Add salt as illustrated (do not use table salt, salt tablets or salt for use with whole house water softeners).

The water is displaced and runs out.



Using detergents with salt component

If combined detergents with a salt component are used, special salt can usually be omitted up to a water hardness of 21° dH (37° fH, 26° Clarke, 3.7 mmol/l). If the water hardness is over 21° dH, salt must be used

Switching off low salt indicator/water softening system

If the use of combined detergents with a salt component impairs the low salt indicator on the digital display **3**, the low salt indicator can be switched off

Proceed as described under “Setting water softening system” and set the value to **H:00**. The water softening system and salt refill indicator are now switched off.

Rinse Aid

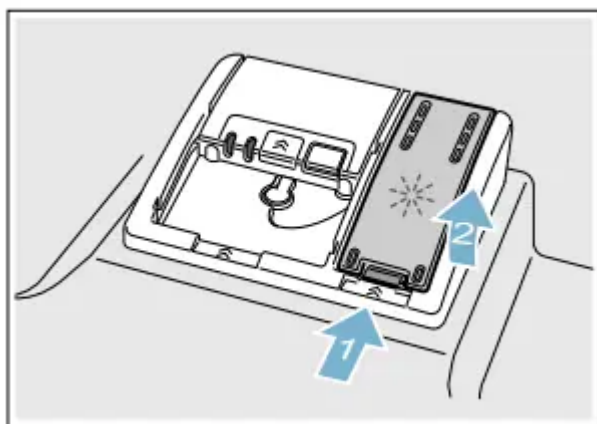
To achieve proper drying, always use a liquid rinse aid, even if your detergent contains a rinse aid or drying additive.

Note: The dishwasher indicates low rinse aid by turning on the Rinse Aid indicator. If this indicator lights up, you need to refill the rinse aid dispenser **31** by following the directions below.

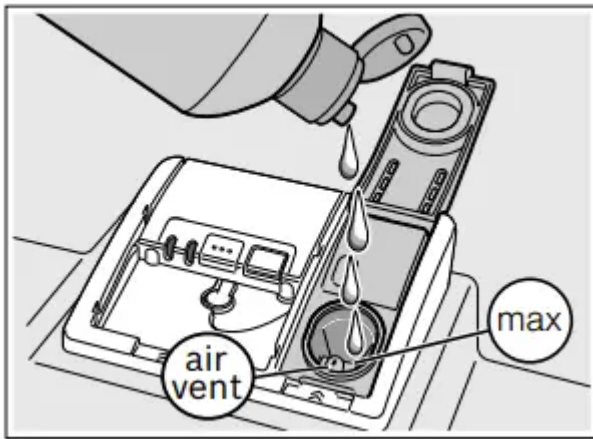
Adding rinse aid

NOTICE To avoid oversudsing or clogging, do not overfill the rinse aid dispenser **31**. Wipe up any spills with a damp cloth.

1. Open the rinse aid dispenser **31** by pressing on the latch of the lid and pull it open.



2. Add liquid rinse aid to the dispenser **31** until it is full. Do not overfill. Avoid spilling into air vent hole.



3. Close the lid. Lid must be fully closed until it clicks in order to seal.
4. Wipe up any excess rinse aid that may have puddled when the dispenser reservoir is full.

The indicator light will go out a few moments after the dishwasher door is shut.

Tip: For easier pouring, remove lid from the rinse aid bottle

NOTICE Do not fill the rinse aid dispenser **31** with detergent. Doing so will damage the dishwasher.

Setting the amount of rinse aid used

The amount of rinse aid dispensed can be set from **r:00** to **r:06**. The factory setting is **r:05**. You should only change the setting if streaks remain on the dishes (lower the amount), or if dishes are not getting dry enough (increase the amount).

Setting	Amount
r:00	dispenser is OFF
r:01	lowest setting
r:02	low setting
r:03	medium setting
r:04	medium/high setting
r:05	high setting
r:06	highest setting

1. Press the On/Off button **1**
2. Hold down the function key **A** and press the Start button **6** until the display **3** indicates **H:0x** or **d:0x** (x can be any number). Release both buttons.
3. Press the function key **A** until the display **3** shows **r:05**.
4. Press the function key **C** to select the desired setting.

5. Press the Start button **6** to save the setting.

Turning off rinse aid indicator

Proceed as described in the section “Setting the amount of rinse aid used” and set value to **r:00**. The rinse aid indicator is now turned off.

NOTICE Using no rinse aid or setting the dispenser to **r:00** may result in longer cycle times consuming more energy and water. The higher temperatures and longer cycle times can damage fine china or glassware

Loading the Dishwasher

Dishware material

Note: Before using your dishwasher for the first time, check the information in this section. Some items are not dishwasher-safe and should be hand washed; others require special loading.

Recommended

Aluminum

- Colored anodized aluminum may fade over time. Minerals in your water may cause the aluminum to darken or spot. This can usually be removed with a soap-filled steel wool pad.

China, Crystal, Stoneware

- Some hand-painted utensils may discolor, fade or spot. Hand wash these utensils. Position fragile glassware so that it will not topple over or come in contact with other utensils during the wash cycle.

Glass

- Make sure to use dishwasher-safe glass. Milk glass may discolor or become yellow

Non-stick Coatings

- Apply a light coating of vegetable oil to non-stick surfaces after drying

Plastics

- Make sure the plasticware is dishwasher-safe.

Stainless Steel, Sterling Silver and Silver Plates

- Load these so they do not come in contact with other metals, stainless steel dishwasher tub walls or the inner door.

Not Recommended

Acrylic

- Crazeing or small cracks throughout the acrylic, may occur.

Adhesive Joined Pieces

- Adhesives that join materials such as plastic, wood, bone, steel, copper, tin, etc. may loosen.

Bone-Handled

- Utensils Handles may separate.

Iron

- Iron will rust. Hand wash and dry immediately.

Non-Dishware Items

- Your dishwasher is intended for use in cleaning ONLY standard household dishware and kitchenware.

Pewter, Brass, Bronze

- These items will tarnish. Hand wash and dry immediately.

Tin

- Tin will stain. Hand wash and dry immediately.

Wood

- Wooden bowls, wooden utensils and utensils with wooden handles can crack, warp and lose their finish.

Glass and silverware damage

Causes:

- Glass type.
- Type of dishwasher detergent.
- Water temperature of the wash cycle.

Recommendation:

- Use only glasses and porcelain which the manufacturer designates as dishwasher-safe.
- Use a detergent which protects silverware.
- Use less intensive wash cycles and take glass and silverware out of the dishwasher as soon as possible after the wash cycle ends.

Loading the racks

- For best dishwashing results, observe the following when loading the dishwasher:

- Do not pre-wash items with loosely attached food soil.
- Remove all food particles, bones, toothpicks and excessive grease.
- Pre-treat items having burned-on, baked-on or starchy soils.
- Load dishes in the dishwasher racks so the insides of bowls, pots and pans are facing the spray arms.
- Avoid nesting and contact points between dishes.
- Separate items of dissimilar metals. Use care to not block movement of the spray arms.
- Only wash household dishware and kitchenware rated as dishwasher-safe. Refer to the Dishware Materials section for more information about dishware suitability.

NOTICE To avoid dishwasher damage, do not load the dishwasher with paper products, plastic bags, packing materials or anything other than normal, dishwasher safe dishware and kitchenware.

Loading the upper rack

Ensure items do not protrude through the bottom of the racks and block the spray arms.

Note: When pushing the upper rack **22** into the dishwasher, push it until it stops against the back of the tub so the upper rack spray arm **23** connects to the water supply at the back of the tub. Do not push racks in using the door.

Loading the lower rack

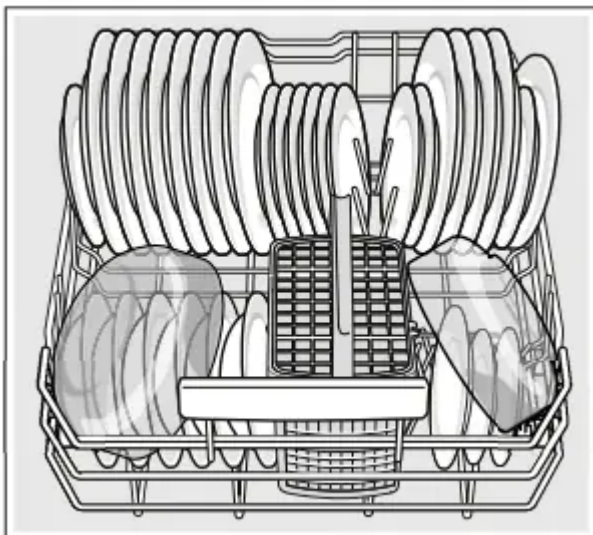
Place large items in the lower rack **30**. Load pots, pans and bowls upside down. Do not block the vent hole **25** with tall baking sheets. Load these items on the right side of the dishwasher.

Recommended loading pattern

For daily, regular or typical use

12 place setting

Lower rack 30

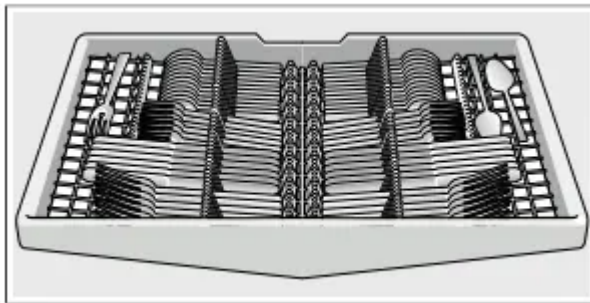


Upper rack 22



Note: Folding the cup shelves down will allow the cups to sit at an increased angle and reduce water pooling on cup bottoms

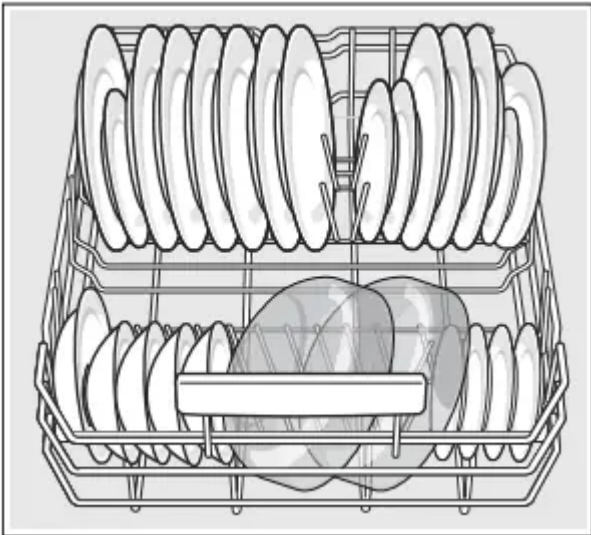
Third rack 21



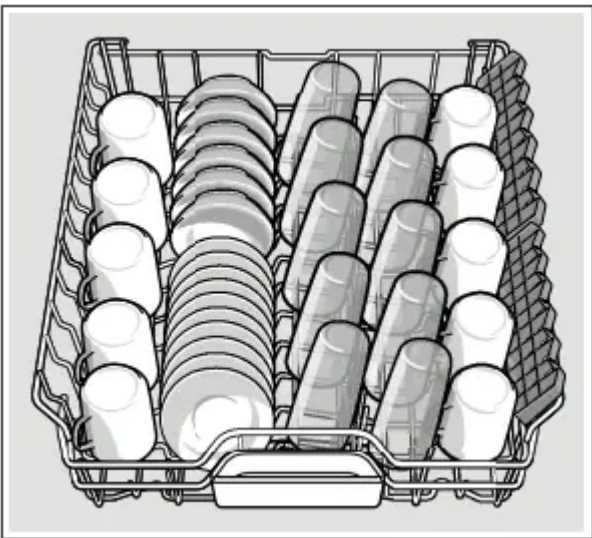
Additional loading pattern

10 place setting

Lower rack 30

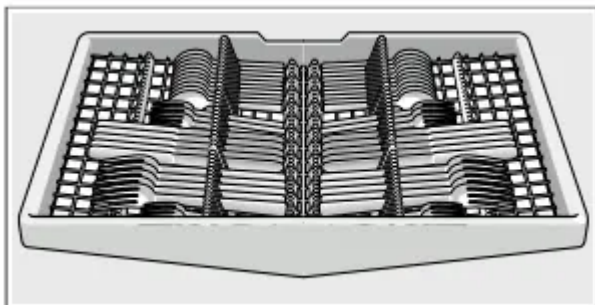


Upper rack 22



Note: Folding the cup shelves down will allow the cups to sit at an increased angle and reduce water pooling on cup bottoms

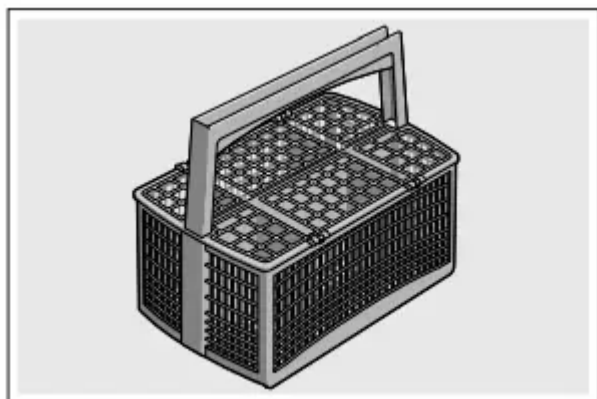
Third rack 21



Loading the silverware basket

Place knives and sharp utensils with their handles up and forks and spoons with their handles down. If large or oddly-shaped items are loaded in the silverware basket, be sure they do not nest together.

WARNING RISK OF INJURY! The sharp points and edges of knives and other sharp utensils can cause serious injury. Load knives and other sharp utensils with edges down. Do not allow children to handle or play near knives and sharp utensils.



This dishwasher is equipped with a silverware drawer that should accommodate most silverware loading needs.

However, if you are washing while the silverware drawer has been removed, or with excess silverware, a silverware basket is also included.

When loading the silverware basket you should avoid excessive contact points and nesting of similar items (allowing two spoons to rest inside one another).

A good way to avoid excessive contact points is to load the silverware basket with the lids closed, inserting each piece of silverware into one of the individual slots.

Unloading the dishwasher

CAUTION Dishes can be very hot immediately after cycle ends. Open the door slightly and allow dishes to cool for a few minutes before unloading.

Note: Dishes are more likely to chip when unloading before cooling.

When unloading the dishwasher, to prevent water from dripping onto dry dishes, unload the lower rack **30** first. Next, unload the silverware basket **29** followed by the upper rack **22**, and then the third rack (if equipped).

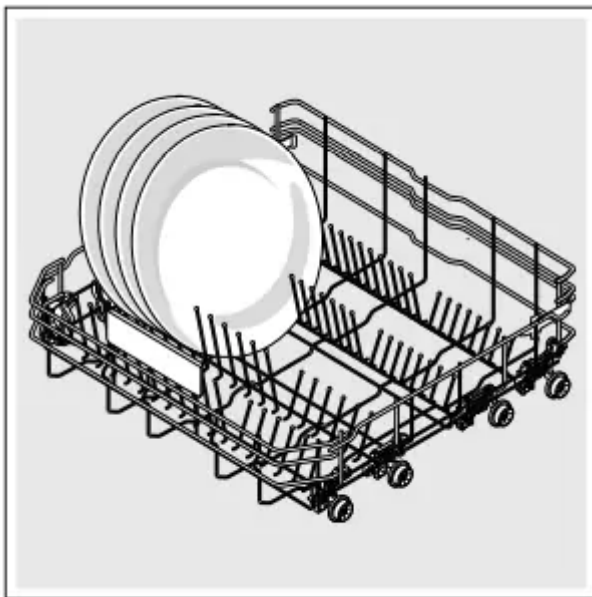
Adjusting the height of the rack

If desired, the height of the upper rack **22** can be adjusted to create more space for taller utensils either in the upper or lower rack.

With silver-ware basket	Upper rack	Lower rack
Setting 1 max. \emptyset	9.4 in (24 cm)	13.4 in (34 cm)
Setting 2 max. \emptyset	10.4 in (26.5 cm)	12 in (30.5 cm)
Setting 3 max. \emptyset	11.4 in (29 cm)	11 in (28 cm)

With third rack	Upper rack	Lower rack
Setting 1 max. \emptyset	7 in (18 cm)	13.4 in (34 cm)
Setting 2 max. \emptyset	8 in (20.5 cm)	12 in (30.5 cm)
Setting 3 max. \emptyset	9 in (23 cm)	11 in (28 cm)

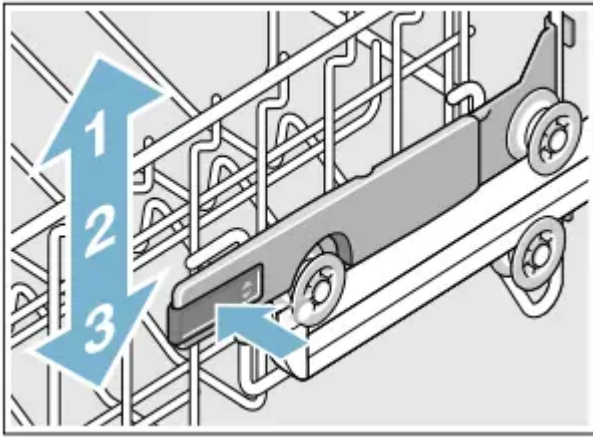
Arrange large plates up to a diameter of 13.4 in (34 cm) in the lower basket **30** as illustrated.



RackMatic®

The height of the upper rack **22** can be adjusted in 3 steps to create more space.

1. Pull the upper rack out of the dishwasher until it stops.
2. To lower the rack, push the RackMatic® lever inward.
3. To raise the rack, hold the basket on the sides of the upper rack and lift it up



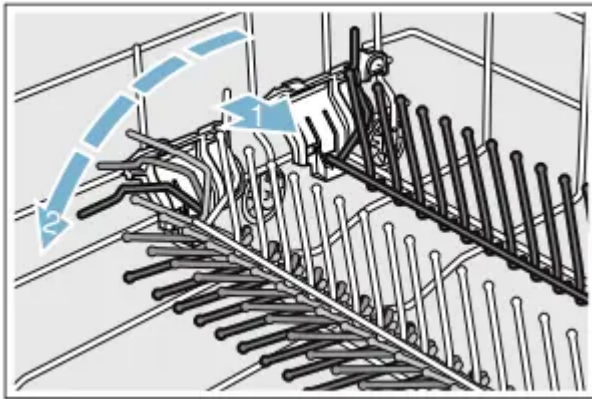
Note: Check spray arm for clearance after adjustment.

Rack accessories

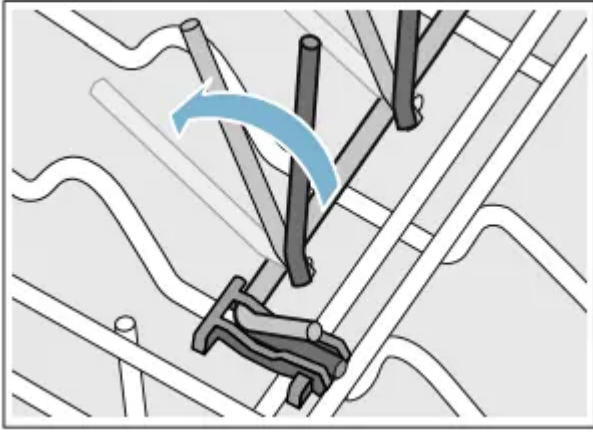
Flip tines*

The upper and lower rack are fitted with flip tines that can be folded down depending on what you may need to load in the rack.

Lower rack flip tines: To fold down, pull flip tine gently forward and release it from the notch. Push the flip tine downward. To fold up, push flip tines into an upright position until the holder engages in the notch.



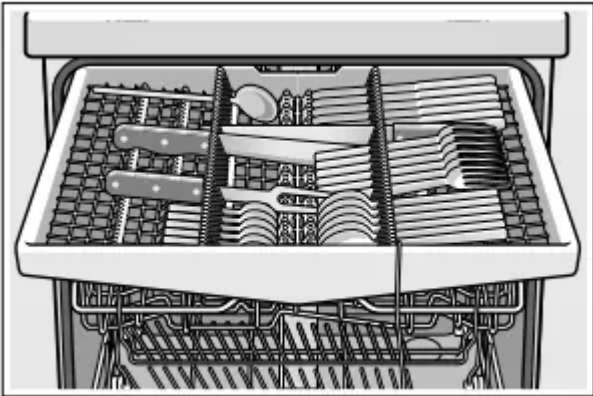
Upper rack flip tines: To fold down, push flip tines downward with gentle pressure. To fold up, push flip tines into an upright position until the holder engages in the notch.



* optional feature which may or may not be included with your dishwasher.

Third rack *

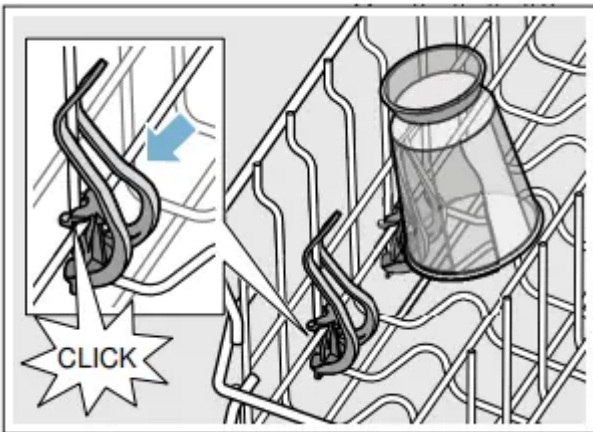
The third rack horizontally positions knives, spatulas and other oversized tools for improved cleaning and easier loading and unloading. Arrange cutlery in third rack as illustrated.



* optional feature which may or may not be included with your dishwasher.

Plastic item clips *

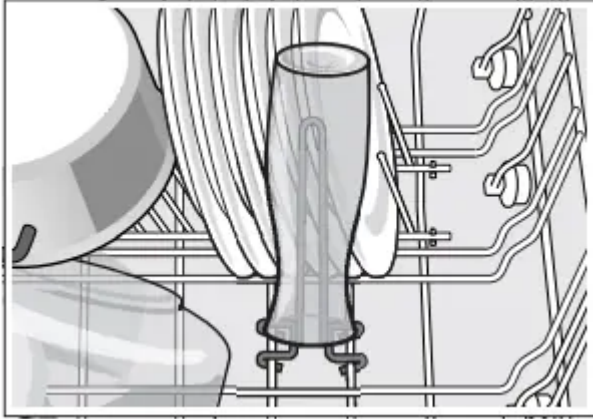
Light-weight plastic accessories (cups, lids, etc.) can be held securely by the plastic item clips. Press the plastic item clip against the upper rack **22** as shown until it clicks.



* optional feature which may or may not be included with your dishwasher.

Vase holder *

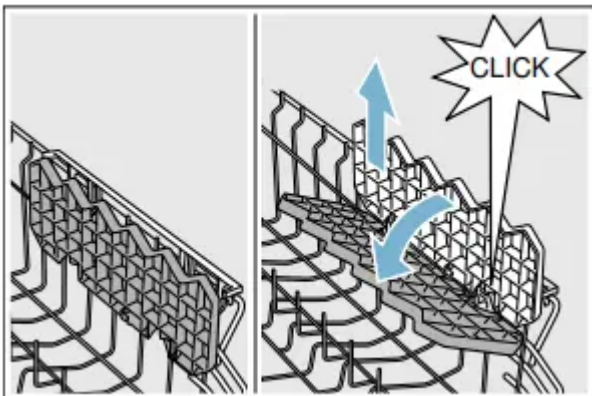
The vase holder can be placed anywhere in the lower rack to hold and thoroughly clean vases, bottles, and other containers.



* optional feature which may or may not be included with your dishwasher.

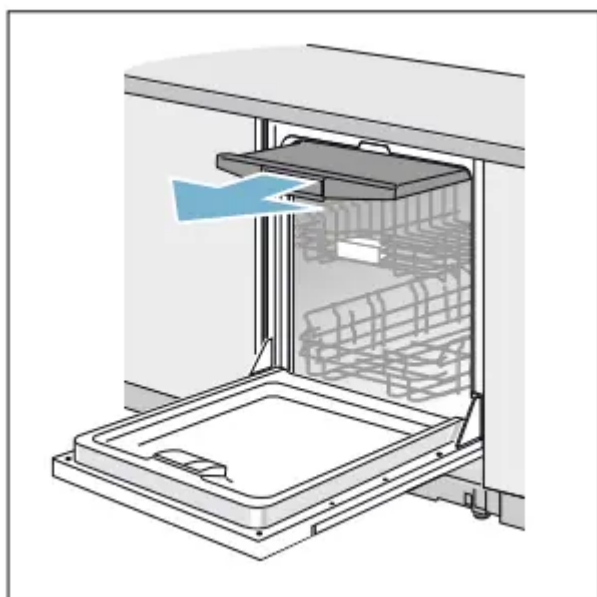
Cup shelves *

The cup shelves and the space underneath them can be used for small cups or for larger serving utensils.



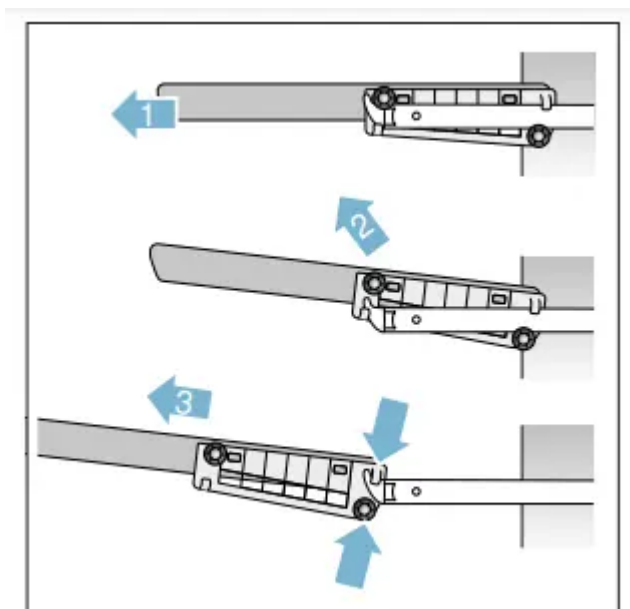
* optional feature which may or may not be included with your dishwasher.

Removing/Installing third rack



Removing third rack 21

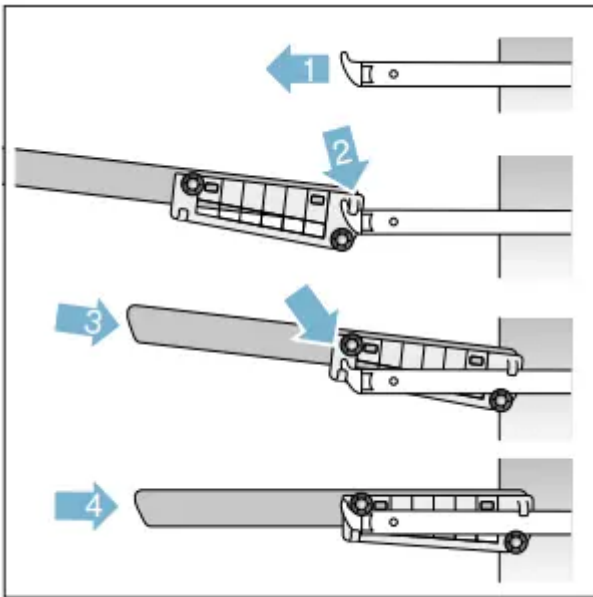
1. Pull out third rack all the way (1).
2. Lift upper rollers over the stopper hooks of both rails (2).
3. Pull third rack out forward and upward so that the holding hooks and the lower rollers of the rack slide over the stopper hooks of both rails (3).



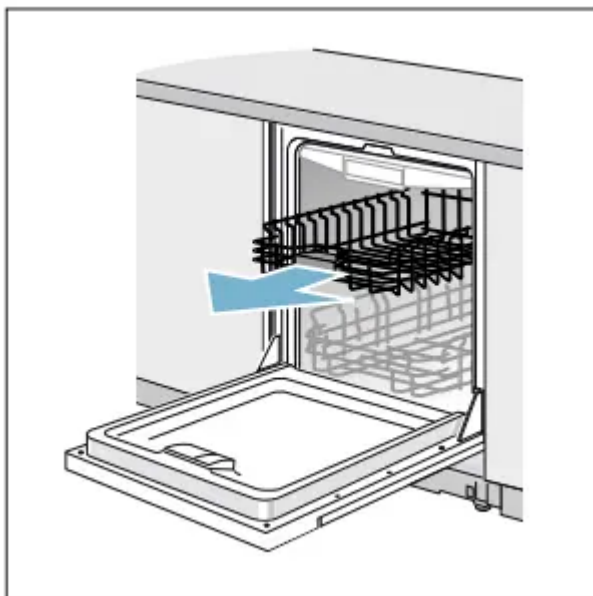
Installing third rack 21

1. Pull out third rack rails all the way (1).
2. Insert third rack at an angle. Make sure that the stopper hooks of both rails slide in between the holding hooks and the lower rollers of the third rack (2).

3. Slide third rack in and lift the upper rollers over the front stopper hooks of both rails (3).
4. Push in third rack (4).

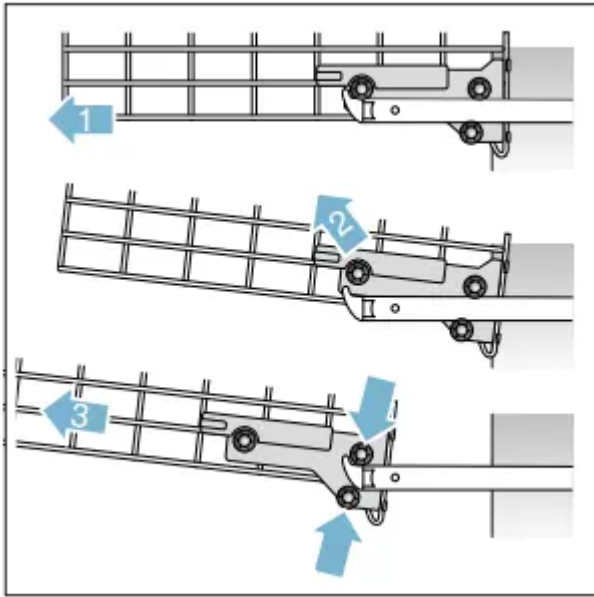


Removing/Installing upper rack with Rackmatic®



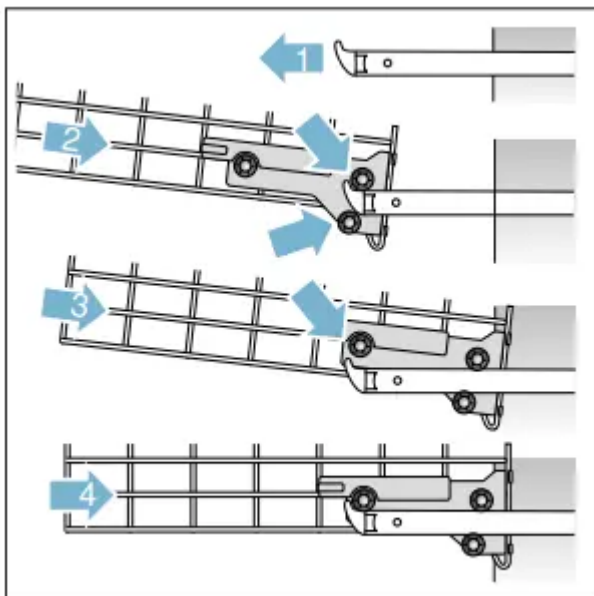
Removing upper rack 22

1. Pull out upper rack all the way (1).
2. Lift front rollers over the stopper hook of the rail (2).
3. Pull out upper rack forwards and upwards so that the upper and lower rollers of the rack slide over the stopper hooks of both rails (3).



Installing upper rack 22

1. Pull out upper rack rails all the way (1).
2. Insert upper rack at an angle. Make sure that the stopper hooks of both rails slide in between the upper and lower rollers on the rear side of the rack (2).
3. Slide upper rack in and lift the upper rollers over the front stopper hooks of both rails (3).
4. Push in upper rack (4).



Detergent

Use only detergent specifically designed for dishwashers. For best results, use fresh powdered dishwashing detergent or detergent tabs.

NOTICE

To avoid damage to dishwasher or dishware:

- Do not use hand dishwashing products in your dishwasher.
- Do not use too much detergent if your water is soft. Using too much detergent with soft water may cause etching in glassware and fine china.
- To best protect glassware, use a wash cycle with low temperatures or a specific glass-care cycle (depending on the model) and use a detergent that includes etch protection.

This dishwasher uses less water than most, therefore, less detergent is required. With soft water, 1 tablespoon (15 ml) of detergent will clean most loads. The detergent dispenser cup has lines that measure detergent to 1 tablespoon (15 ml) and 1.75 tablespoons (25 ml). 3 tablespoons (45 ml) of detergent will completely fill the detergent dispenser.

Note: If you do not know the hardness of your water supply, use 15 ml of detergent. Increase the amount if necessary to the least amount required to get your kitchenware clean.

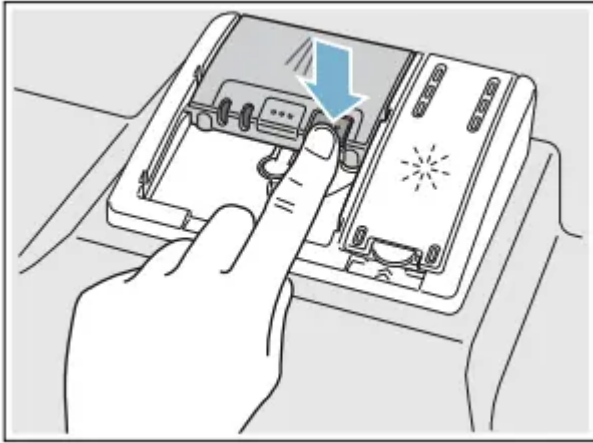
Use the measuring lines in the detergent dispenser cup as a guide to measure the amount of detergent recommended in the following table.

Wash Cycle	Hard Water/ Heavy Soil	Medium Water/ Medium Soil	Soft Water/ Little Soil
Heavy	3 tbsp (45 ml)	3 tbsp (45 ml)	1.75 - 3 tbsp (25 - 45 ml)
Auto	1.75 - 3 tbsp (25 - 45 ml)	1.75 tbsp (25 ml)	1 - 1.75 tbsp (15 - 25 ml)
Eco	1.75 - 3 tbsp (25 - 45 ml)	1 - 1.75 tbsp (15 - 25 ml)	1 tbsp (15 ml)
Normal	1.75 - 3 tbsp (25 - 45 ml)	1.75 tbsp (25 ml)	1 - 1.75 tbsp (15 - 25 ml)
Express	1.75 tbsp (25 ml)	1 - 1.75 tbsp (15 - 25 ml)	1 tbsp (15 ml)
Rinse	none	none	none

Adding detergent

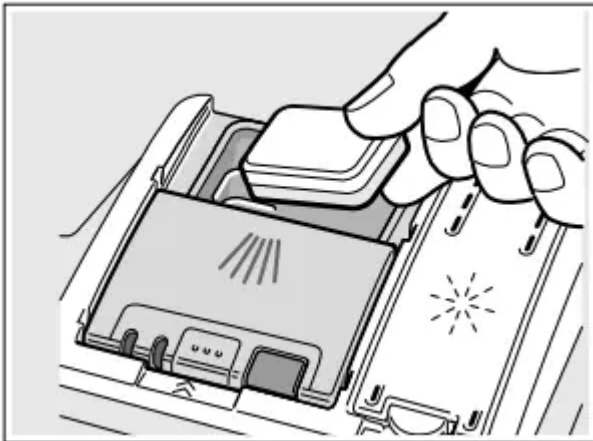
1. If the detergent dispenser **32** is still closed, push the button **33** to open it.

Note: Make sure the detergent dispenser is dry and clear of detergent residue.

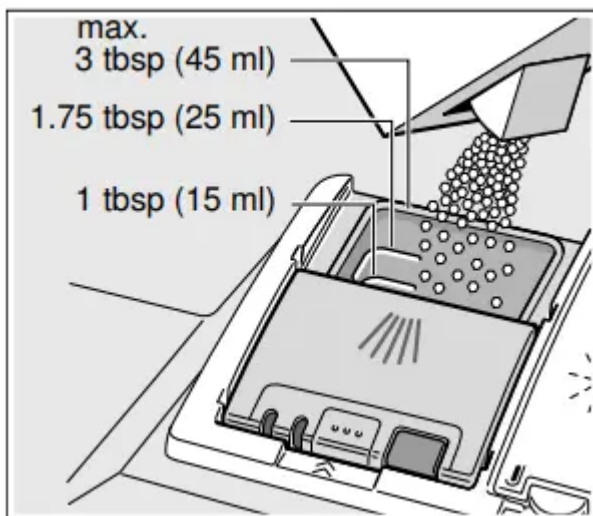


2. When using detergent tabs, lay them such that they do not come in contact with the cover, insert a detergent tab flat, not on its side.

Note: Do not place detergent tabs or utensils in the detergent tab tray **24**. Place tabs or other detergent forms directly in the detergent dispenser **32** .

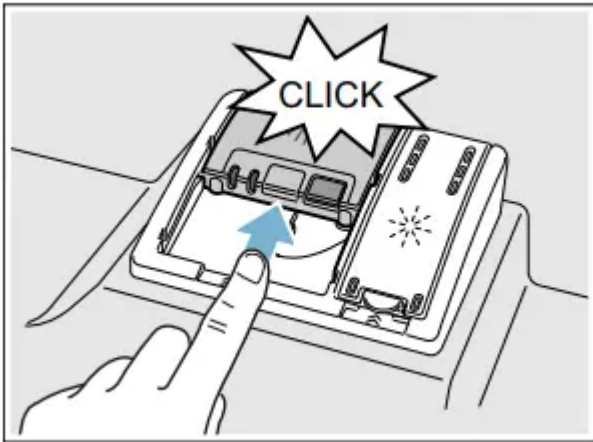


Pour detergent into the dry detergent dispenser **32** . only. Add detergent. Do not overfill the detergent dispenser.



Dosage: see manufacturer's instructions on the packaging.

3. Close the lid by placing the finger on the lid as shown. Slide the lid closed until it clicks



The detergent dispenser will open automatically at the ideal time for the set cycle. The powder or liquid detergent is distributed in the appliance and is dissolved, detergent tabs will fall into the detergent tab tray **24** where it dissolves during the cycle.

Tip: If the dishware is only lightly soiled, slightly less than the indicated amount of detergent is usually adequate.

Dishwasher Cycles

Heavy

- Recommended use: Best for cleaning items with baked-on food or grease. These dishes would normally require soaking or hand scouring.
- Possible wash cycle option: all

Auto

- Recommended use: Smartest cycle, with most flexible soil sensing, which is ideal for mixed dishware and food soils
- Possible wash cycle option: all

Eco*

- Recommended use: Best for delicate dishes and glasses, the Eco cycle lowers temperature and cycle length to decrease energy usage.
- Possible wash cycle option:
 - Delay
 - SpeedPerfect™ *
 - Half Load
 - Extra Shine® *

Normal (see note at bottom of table)

- Recommended use: Recommended for daily, regular or typical use to completely wash a full load of normally soiled dishes.
- Possible wash cycle option: all

Note: In order to obtain optimal performance with minimum energy consumption, it is recommended to disable all available options and settings, except Auto Power Off - set to **P:01** → "Auto power off" on page 32

Express

- Recommended use: Cleans lightly soiled dishes and reduces overall wash time. Use this cycle to clean glasses and dessert dishware that may need to be reused at the same event
- Possible wash cycle option:
 - Delay
 - Extra Shine® *

Rinse

- Recommended use: Use this cycle if you need to pre-rinse dishes to avoid odors. Place unrinsed dishes inside the dishwasher and select the Rinse cycle. Uses less water than hand rinsing and very low energy
- Possible wash cycle option: Delay

Note: The Energy Guide label was based on the Normal soil sensing cycle as follows: The unit was tested without any rinse aid (liquid) in the rinse aid dispenser **31**. A single dose of detergent was inserted into the detergent dispenser **32**, with no detergent being used in the prewash. The unit was not subjected to truncated testing per the definitions in the test procedure. We recommend that dish loads such as the one in the energy certification test have the rack position set in the highest position.

Dishwasher Cycle Options

* Depending on the features of your dishwasher you can select various wash cycle options **5**

Delay

Allows you to delay the start time of your dishwasher up to 24 hours.

Half Load *

Can reduce water consumption when washing small, lightly soiled loads that fill approximately half of the dishwasher's capacity.

Delicate

This option's reduced time and temperature are best for lightly soiled items with easy to remove food soils. The option also reduces the likelihood of cloudy glasses. Rinse aid is recommended for the high gloss drying function (even when using combination detergents).

Sanitize

Increases the temperatures and retains them for an extra long time to obtain a defined disinfecting performance. Continuous use of this function increases the hygiene status. This additional option is ideal for cleaning items such as chopping boards and baby bottles.

The sanitize LED will light when sanitation requirements are met. Using the Sanitize option may also improve drying. There is a slight increase in energy consumption.

Extra Shine® *

Used in combination with a wash cycle (except Rinse), the Extra Shine® option raises the temperature and extends the drying time to further enhance drying results and provide a brilliant shine.

Wash Cycle Information

To save energy, this dishwasher has EcoSense where the sensors in the dishwasher automatically adjust the cycle length, temperature and water changes based on the amount of food soil and the incoming water temperature. The "Smart Control" makes decisions that can cause the cycle time and water usage to adjust intermittently. Wash cycle times are based on 120°F (49° C) water supply. If your household water supply is different than 120°F (49° C), your dishwasher's cycle times may be impacted

	Heavy	Auto	Eco	Normal	Express	Rinse
Cycle time min.	110 - 135	105 - 129	80-85	130 - 135	30	9
Water usage gal/L	4.9-6.4/ 18.6-24.2	3.5-6.5/ 13.1-24.5	2.5-3.8/ 9.3-14.5	2.2-5.4/ 8.3-20.6	2.8/ 10.53	1.1/ 4.1
Wash temp. °F/°C	150-160/ 66-71	127-150/ 53-66	113-122/ 45-50	113-131/ 45-55	113/ 45	in-coming
Rinse temp. °F/°C	162/ 72	153/ 67	144/ 62	140-156/ 60-69	122/ 50	in-coming
Half Load						
Cycle time min.	115	95-105	75-80	110-120	N/A	N/A
Water usage gal/L	4.8/ 17.9	2.7-4.4/ 10.2-16.5	2.5-3.3/ 9.3-12.5	2.9-3.7/ 10.9-14	N/A	N/A
Rinse temp. °F/°C	162/ 72	158/ 70	144/ 62	156/ 69	N/A	N/A
Delicate						
Cycle time min.	105-110	90-105	N/A	105-120	N/A	N/A
Water usage gal/L	4.9-6.4/ 18.6-24.2	3.5-6.5/ 13.1-24.5	N/A	2.2-5.4/ 8.3-20.6	N/A	N/A
Rinse temp. °F/°C	140/ 60	140/ 60	N/A	140/ 60	N/A	N/A
Sanitize						
Cycle time min.	130-150	125-150	N/A	140-155	N/A	N/A
Water usage gal/L	4.9-6.4/ 18.6-24.2	3.5-6.5/ 13.1-24.5	N/A	2.2-5.4/ 8.3-20.6	N/A	N/A
Rinse temp. °F/°C	162/ 72	162/ 72	N/A	162/ 72	N/A	N/A

	Heavy	Auto	Eco	Normal	Express	Rinse
Extra Shine®						
Cycle time min.	130-150	125-150	115-125	140-155	60	N/A
Water usage gal/L	4.9-6.4/ 18.6-24.2	3.5-6.5/ 13.1-24.5	2.5-3.8/ 9.3-14.5	2.2-5.4/ 8.3-20.6	2.8/ 10.5	N/A
Rinse temp. °F/°C	162/ 72	162/ 72	162/ 72	162/ 72	162/ 72	N/A

Note: Only sanitizing cycles have been designed to meet the requirements of Section 6 of the NSF/ANSI Standard for Residential Equipment for soil removal and sanitization efficacy. There is no intention, either directly or indirectly, to imply that all cycles have passed sanitization performance tests.

Operating the Dishwasher

WARNING RISK OF INJURY!

To avoid risk of injury, always use caution when opening the door during or following a wash cycle as hot water or steam may escape. Do not fully open the door until water noises have stopped and steam has subsided.

To reduce risk of injury, do not allow children to play in or on the dishwasher.

When children become old enough to operate the appliance, it is the responsibility of the parents/legal guardians to ensure the children are instructed in safe practices by qualified persons.

Protection against unintentional operation

Your dishwasher is equipped with a function that helps to prevent unintentional operation (e.g. by children).

After starting the dishwasher, the dishwasher door has to be closed within 4 seconds, otherwise the operation will be paused. There will be a signal on the control panel advising you to press the Start button again and close the door.

This function will be activated when:

- pressing Start to begin a wash cycle
- setting Delay time and pressing Start
- opening the door while Delay time is active
- opening the door during a wash cycle.

Note: This function cannot be deactivated.

AquaSensor

The AquaSensor is an optical measuring device which measures the cleanliness of the rinse water.

The AquaSensor is used according to the wash cycle. If the AquaSensor is active, "clean" rinse water can be transferred to the next rinse and water consumption can be reduced by 0.8–1.5 gal (3–6 liters). If the rinse water is not yet clear, the water is drained and is replaced with fresh water. In the automatic wash cycles the temperature and running time can also be adjusted to the degree of soiling.

Switching the appliance on

1. Turn the water supply on fully.
2. Press the On/Off button **1** The AUTO wash cycle has been preset as a default whenever the appliance starts. This wash cycle remains selected if no other wash cycle button **2** is pressed. Select any desired option.
3. Press Start button **6**.

Wash cycle sequence starts.

Note: Your dishwasher is protected against unintentional operation. If the appliance door remains open for more than 4 seconds after pressing the Start button, the operation will be paused. Close the appliance door and press the Start button **6** again.

Time display

When a wash cycle is selected the remaining wash cycle time is shown on the display **3**.

The wash cycle time is determined during the wash cycle by the water temperature, the amount of dishes, as well as the degree of soiling and may vary (depending on the selected wash cycle)

Delay start

You can delay the start of the cycle in one hour increments up to 24 hours

h:01 1 hour delay

h:24 24 hours delay

To set Delay start:

1. Press On/Off button **1** Select a cycle
2. Press Delay button **4** until **h:00** the displayed time corresponds with your requirements
3. Press Start button **6** to activate Delay start

To cancel Delay start:

1. Press On/Off button **1** Select a cycle.
2. Press Delay button **4** until the displayed time corresponds with your requirements.
3. Press Start button **6** to activate Delay start.

Note: Your dishwasher is protected against unintentional operation. If the appliance door remains open for more than 4 seconds after pressing the Start button, the operation will be paused. Close the appliance door and press the Start button **6** again.

Wash cycle end

The wash cycle has ended when the display **3** reads **0:00**

Auto power off

This setting determines the length of time the control panel stays illuminated after the cycle is complete. To save energy the recommended setting is **P:01**

This setting can be adjusted from

P:00 to **P:02**

P:00 dishwasher does not turn off automatically

P:01 dishwasher turns off automatically after 1 minute

P:02 dishwasher turns off automatically after 120 minutes (2 hours)

To change the setting:

1. Press the On/Off button **1**
2. Hold down the function key **A** and press the Start button **6** until the display **3** indicates **d:0x** (x can be any number). Release both buttons.
3. Press the function key **A** until the display **3** shows **P:0x**
4. Press the function key **C** to select the desired setting.
5. Press the Start button **6** to save the setting.

Switching off the appliance

Short time after the end of the wash cycle:

1. Press On/Off button **1**
2. Remove the dishes when they have cooled down

WARNING RISK OF INJURY!

To avoid risk of injury, always use caution when opening the door during or following a wash cycle as hot water or steam may escape. Do not fully open the door until water noises have stopped and steam has subsided.

To reduce risk of injury, do not allow children to play in or on the dishwasher.

When children become old enough to operate the appliance, it is the responsibility of the parents/legal guardians to ensure the children are instructed in safe practices by qualified persons.

Interrupting the wash cycle

CAUTION Expansion (overpressure) may cause the appliance door to open and/or water to escape! If the door was opened on an appliance which has a hot water connection or is heated, always leave the door ajar for several minutes and then close

1. Press On/Off button **1**

The LED's go out. The wash cycle is saved.

2. To continue the wash cycle, close the door and press On/Off button **1** again

Note: Your dishwasher is protected against unintentional operation. If the appliance door remains open for more than 4 seconds after pressing the Start button, the operation will be paused. Close the appliance door and press the Start button **6** again.

Terminating the wash cycle (Reset)

1. Press and hold Start button **6** for approximately 3 seconds until the display reads **0:01**
2. Wait about 1 minute while the dishwasher drains.
3. Press On/Off button **1**

You may now power the dishwasher back on and begin a new cycle if desired.

Changing the wash cycle

When the Start button **1** has been pressed, the wash cycle cannot be changed. The only way a wash cycle can be changed is by terminating the wash cycle (Reset).

Child Lock (panel lock)

The child lock will lock the panel while the dishwasher is in operation to prevent that a wash cycle is interrupted unintentionally (e.g. by children)

To set the panel lock:

1. Start the desired wash cycle.
2. Hold down the button with the **/** symbol over it for approximately 3 seconds until the display reads **CL**

The panel lock is active.

CL will be indicated now if any button is pressed and the program will not be reset

To deactivate the panel lock hold down the button with the **↩** over it for approximately 3 seconds until the display no longer reads **CL**

The panel lock is deactivated automatically when the wash cycle is completed. In case of a power outage the panel lock will remain active. The panel lock has to be activated with each new wash cycle.

Intensive drying

The final rinse uses a higher temperature which improves the drying result. The cycle time and energy usage may be increased. (Caution if utensils are delicate!) This feature has two settings:

d:00 Off

d:01 On

1. Press the On/Off button **1**
2. Hold down the function key **A** and press the Start button **6** until the display **3** indicates **d:x** (x can be any number). Release both buttons.

3. Release both buttons.
4. Press the function key **A** until the display **3** shows indicates the factory set value
5. Press function key **C** to switch the intensive drying feature on **d:01** or off **d:00**
6. Press the Start button **6** to save the setting.

Care and Maintenance

A regular inspection and maintenance of your machine will help to prevent faults. This saves time and prevents future problems

Cleaning the dishwasher

- Regularly wipe the front of the appliance with a damp cloth - water and a small amount of liquid soap is adequate.
- For black stainless steel and anti-fingerprint surfaces, use a soft, dry towel. For stubborn dirt, use warm water diluted with a non-abrasive, mild cleansing soap. Never use stainless steel polish.
- For stainless steel appliances (excluding black stainless and anti-fingerprint), use a stainless steel polish to seal and protect the surface.
- Clean the outer edges of the inside door panel regularly to remove debris that may collect from normal loading. If spots begin to appear on the stainless steel, make sure the rinse aid dispenser is full and functioning properly.
- Clean the door seal regularly with a damp cloth to remove food particles that may collect from normal loading and cause odor. A soiled door seal may not seal properly.

NOTICE

- Never use a steam cleaner to clean your dishwasher. The manufacturer is not liable for any resulting damage.
- Do not use sponges as they could scratch the surfaces.
- Do not use bleach-based wipes as they could damage the surface or printing.
- Never use stainless steel polish on a black stainless finish or anti-fingerprint surfaces.

WARNING Use caution when removing parts for cleaning as some debris may be sharp.

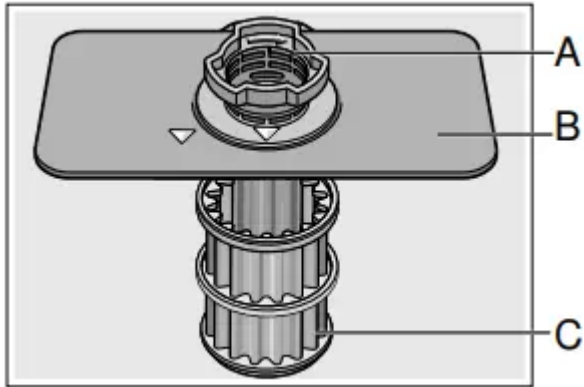
Filters

The Bosch® filter system **28** is designed to prevent the need to pre-rinse normally attached food soils from your dishes. Simply scrape leftover food soils off of dishware before loading. This process will conserve time, water and the energy require to heat your household water supply.

Your dishwasher filter system is designed to filter 100% of the water entering the spray arms to provide a continuous supply of clean water to remove food soils from your dishware.

Filter components

The filter system **28** consists of three parts.



A Large Object Trap

Prevents objects that should not be placed in your dishwasher from damaging the dishwasher pump system or clogging your household drain.

B Flat Fine Filter

Prevents food particles from entering the wash chamber and directs particles toward the micro filter.

C Micro Filter

Directs the smallest of particles to the household plumbing drain.

Cleaning intervals

The filter system **28** is designed to minimize maintenance while providing premium cleaning performance and minimum energy consumption.

Depending on use habits and water hardness, the filter system will require some maintenance to sustain premium cleaning performance.

Your filter system may need to be cleaned when:

- You notice food soils remaining on the filter system or objects trapped in the Large Object Trap.
- A drop in cleaning performance or a gritty film forms on the dishware

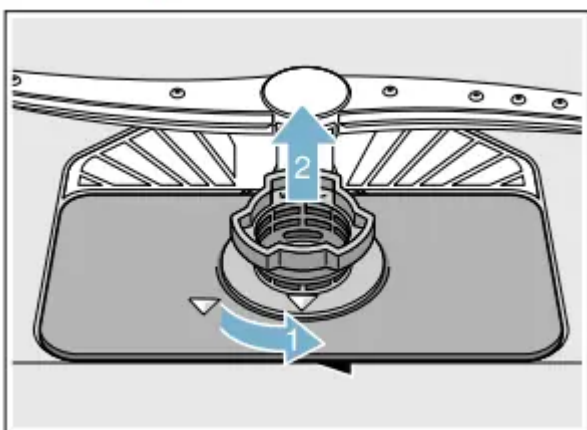
When washing normally attached food soils that have been scraped before loading, in a household that runs the dishwasher every other day, your filter should be cleaned:

Cleaning interval	Use this setting,
3 times a year	if you rinse before loading
4 times a year	if you only scrape before loading
6 times a year	if you do not rinse or scrape before loading
12 times a year	if you have hard water

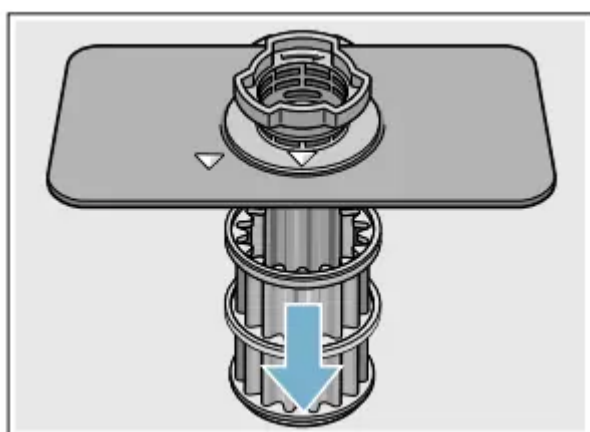
Note: Clean the filter after washing loads with large amounts of food soils or loads with a heavy starch content, like potatoes and pasta, to maintain optimal performance.

To check or clean the filter system:

1. Unscrew the Large Object Trap as illustrated and remove the entire filter system.



2. Remove the microfilter from the fine filter for easier cleaning



3. Rinse the filters under running water and use a soft brush to clean.

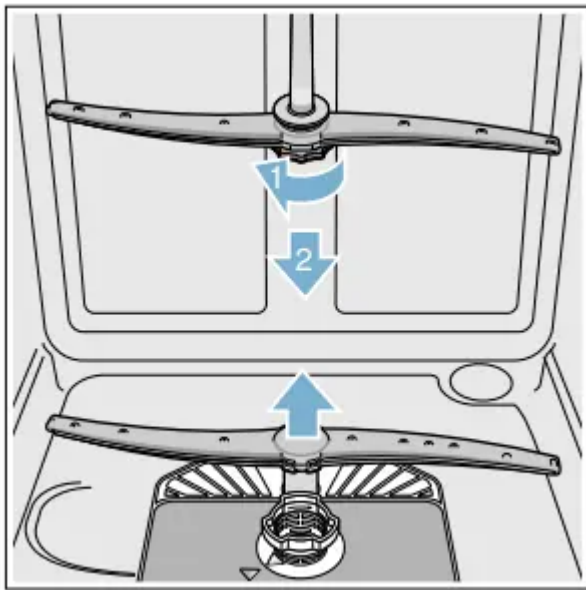
Note: do not use abrasive brushes or steel wool, etc., as they may damage the filter.

4. Reinstall the filter system in reverse sequence and lock into place by screwing the Large Object Trap until the marking arrows align.

Spray arms

Check spray arms **23,26** for grease and limescale deposits. If you find such deposits:

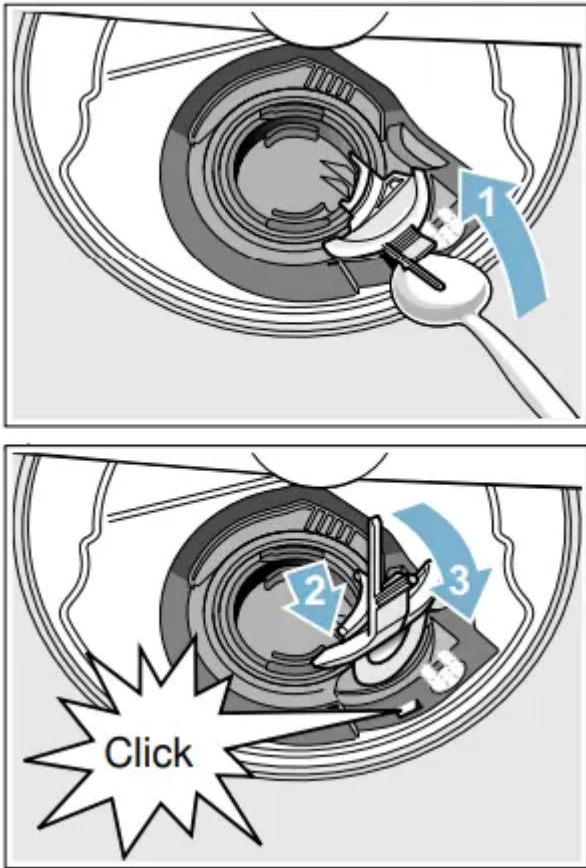
- Fill detergent dispenser **32** with detergent and start the appliance without utensils in the cycle with the highest rinsing temperature. → "Wash Cycle Information" on page 29
- Clean the appliance with detergents/appliance cleaners which are particularly suitable for use with dishwashers.
- Unscrew the upper spray arm **23** and pull off the lower spray **26** arm as shown. Inspect for deposits.



Drain pump

Large food remnants in the rinsing water not retained by the filters may block the waste water pump. In this case:

- Disconnect the appliance from the power supply.
- Remove the filters. → "Filters" on page 35
- Scoop out standing water - use a sponge if necessary
- Using a spoon, pry off the pump cover until it clicks, then grip the cover and pull upward until it resists and then pull forward.



- Check inner compartment and remove any foreign objects

WARNING Use caution when removing parts for cleaning as some debris may be sharp.

- Place cover in the original position, press down and engage.
- Reinstall filters.

Note: The drain pump will not work properly if the drain pump cover is not snapped in completely until it clicks

Preparing your unit for vacation

NOTICE Before leaving for vacation during warmer weather, besides turning off the main valve, also turn off water supply at the nearest point to the dishwasher. Do not leave soiled dishware in unit and leave door slightly open. During colder weather, please follow the instructions for winterizing your unit below.

Winterizing your unit

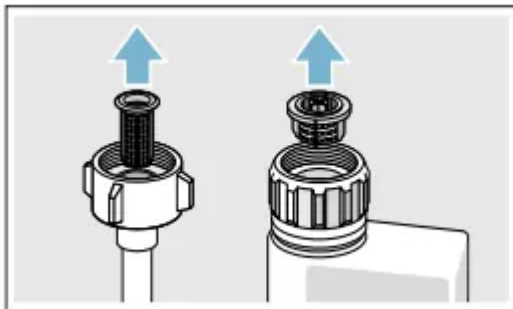
NOTICE If your dishwasher will be unused for a period of time in a location that experiences freezing temperatures (holiday home or through a vacation period), have your dishwasher winterized by a professional service.

Troubleshooting

Troubleshooting Dishwashers may occasionally exhibit problems that are unrelated to a malfunction of the dishwasher itself. The following information may help you with a dishwasher problem without involving a repair professional.

Error code
E: 18 is lit.

- Supply hose kinked.
 - Install supply hose without kinks.
- Water supply turned off.
 - Turn on the water supply.
- Water supply jammed or calcified.
 - Turn on the water supply. Flow rate must be min. 10 l/min. when water supply is open.
- Filter in the water supply blocked.
 - Switch off the dishwasher and pull out the power supply plug. Turn off the tap. Unscrew water connection.



- Clean filter in the supply hose. Screw water connection on again. Check for leaks. Reconnect power supply. Switch on the dishwasher.

Error code
E: 07 is lit.

- Intake opening (on right inside of dishwasher) covered by dishes.
 - Arrange dishes so that the intake opening is not obstructed.

Error code
E:12 is lit.

- Heating element calcified or soiled.
 - Clean dishwasher with a dishwasher cleaning agent or descaler. Operate the dishwasher with water softening system and check the setting. → "Using special dishwasher salt" on page 14

Error code
E:22 is lit.

- Filters **28** are soiled or blocked
 - Clean filters. → "Filters" on page 35

Error code
E:24 is lit.

- Waste-water hose kinked or blocked.
 - Install hose without kinks, remove any residue.
- Siphon connection still sealed.
 - Check connection to siphon and open if required.
- Cover on the drain pump loose.
 - Lock cover correctly. → "Drain pump" on page 37

Error code
E:25 is lit.

- Drain pump blocked or cover on the drain pump is not locked in position.
 - Clean pump and lock cover correctly. → "Drain pump" on page 37

Error code
E:27 is lit.

- Supply voltage too low.
 - Not a dishwasher fault, have the supply voltage and electrical installation checked.



A different error code is indicated on the digital display **(E:01 to E:30)**

- A technical fault has probably occurred.
 - Switch off dishwasher with the On/Off switch **1**. After a short time restart the dishwasher.
 - If the problem recurs, turn off the tap and pull out the power supply plug. Call customer service and mention the error code.

Refill indicator light for salt and/or rinse-aid is lit

- No rinse aid.
 - Refill rinse aid.
- No salt.
 - Refill with dishwasher softener salt.
- Sensor does not detect salt tablets.
 - Use different dishwasher softener salt.

Refill indicator light for salt and/or rinse-aid is not lit.

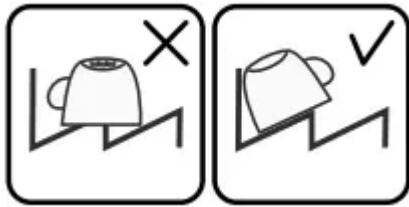
- Refill indicator switched off.
 - Activation/deactivation →  "Rinse Aid" on page 14, →  "Water softening system / special salt" on page 13 There is still enough special salt/rinse aid available. Check refill indicator, levels.

Water is left in the dishwasher at the end of the wash cycle.

- Filter system or area under the filters **28** is blocked.
 - Clean filters and area underneath.
- Wash cycle has not ended yet.
 - Wait until wash cycle ends or reset.

Dishes not dry.

- No or too little rinse aid in the dispenser.
 - Refill rinse aid.
- Wash cycle selected without drying.
 - Select wash cycle with drying. → "Dishwasher Cycles" on page 27
- Water collecting in depressions on the dishes and silverware.
 - Arrange dishes in a sloping position, arrange affected dishes as sloping as possible.



- The combined detergent used has a poor drying performance
 - Use different combination detergent with better drying performance. Use of rinse aid also increases the drying performance.
- extraDry to increase drying not activated.
 - Activate extraDry. → "Dishwasher Cycle Options" on page 28
- Dishes were removed too early or drying process had not ended yet.
 - Wait until wash cycle ends or wait until 30 min after wash cycle ends before removing dishes.
- The eco rinse aid used has a limited drying performance.
 - Use a proprietary rinse aid. Eco products may have limited effectiveness.

Plastic dishes not dry.

- Inherent properties of plastic.
 - Plastics do not absorb heat and therefore do not dry as well.

Silverware not dry.

- Silverware not arranged properly in the silverware basket.
 - Separate silverware if possible, prevent contact points.
- Silverware not arranged properly in the third rack
 - Arrange silverware properly and separate if possible.

Dishwasher interior wet after rinse cycle.

- No dishwasher fault.
 - With "condensation drying", steam condenses into water droplets onto the walls of the dishwasher tank. The steam pressure inside the dishwasher pumps the water out of the dishwasher

Food soils on the dishes.

- Dishes placed too closely together, racks overfilled.
 - Arrange dishes with adequate clearance between them ensuring that the spray jets can reach the surface of the dishes. Prevent contact points.

- Spray arm rotation obstructed.
 - Arrange dishes so that the spray arm can rotate without obstruction.
- Spray arm nozzles are blocked.
 - Clean the spray arm nozzles. → "Care and Maintenance" on page 34
- Filters **28** dirty.
 - Clean filters. → "Care and Maintenance" on page 34
- Filters **28** inserted incorrectly and/or not engaged.
 - Insert and engage filters correctly.
- Rinse wash cycle too weak.
 - Select a more intensive rinse cycle. Increase sensitivity of the sensors.
- Dishes precleaned too intensely; sensors therefore decide on weak wash cycle sequence. Stubborn soiling cannot be completely removed.
 - Do not pre-rinse dishes. Remove only large food soils. Increase sensitivity of the sensors. Recommended wash cycle "Normal" or Intensive.
- Tall narrow containers in corner areas are not rinsed adequately.
 - Do not lean hollow containers too much and do not place them in the corner area.
- Upper rack **22** on right and left not set to same height.
 - Set upper rack to same height using side levers.

Dishwasher seems to run a long time

- Incoming water is not warm enough.
 - Before starting a cycle, run hot water faucet at the sink closest to the dishwasher.
- Cycle time can vary due to soil and water conditions.
 - Sensors in the dishwasher automatically increase the cycle time to ensure a good wash when heavy soil is detected.
- Rinse aid dispenser **31** is empty.
- Add rinse aid.
 - Dishwasher connected to cold water supply.
- Note: Check the typical wash cycle length.
 - Verify dishwasher is connected to hot water supply plumbing

Detergent residue.

- Detergent dispenser cover **32** blocked by dishes and therefore does not open fully.
 - Dishes must not be placed above the detergent tab tray **24**. These may block the lid of the detergent dispenser and prevent it from opening fully. Do not place dishes or fragrance dispenser in the detergent tab tray.
- Detergent dispenser cover **32** blocked by the detergent tab.
 - Detergent tab must be inserted flat and not upright.
- Detergent tab used in the quick or short wash cycle. Dissolving time of the detergent is not reached in the selected short wash cycle.
 - Dissolving time of detergent tab too long for a quick or short wash cycle. Use a detergent powder or select a more intensive wash cycle.
- Washing effect and dissolving performance are reduced after a prolonged storage time or detergent is very lumpy.
 - Change detergent.

Water stains on plastic parts.

- Droplet formation on plastic surface is physically unavoidable. After drying, water stains are visible.
 - Use a more intensive wash cycle (more water changes). Arrange dishes in a sloping position. Use rinse aid. If required, increase softening setting.

Washable or water-soluble coatings in the container or on the door.

- Detergent substances are deposited. These coatings cannot usually be removed with chemicals (dishwasher cleaner, ...).
 - Change detergent brand. Clean dishwasher mechanically.
- If there is a "white coating" on the container floor, the water softening system has been set very low.
 - Increase softening setting and change detergent if required.
- Salt dispenser cover **27** not closed.
 - Close salt dispenser cover correctly.
- Only for glasses: Initial glass corrosion – can only apparently be wiped off.
 - See . → "Glass and silverware damage" on page 17

White, stubborn coatings; limescale on the dishes, container or door.

- Detergent substances are deposited. These coatings cannot usually be removed with chemicals (dishwasher cleaner, ...).
 - Change detergent brand. Clean dishwasher mechanically.
- Hardness range incorrectly set or water hardness greater than 8.9 mmol/l.
 - Set water softening system according to instructions for use or top up salt.
- 3 in 1 detergent or bio/eco detergent not effective enough
 - Set water softening system according to instructions for use or use separate detergents (proprietary detergent, salt, rinse aid).
- Underdosing of detergent.
 - Increase detergent dosage or change detergent.
- Too weak rinse cycle selected.
- Select a more intensive rinse cycle.

Tea or lipstick residue on the dishes.

- Too low rinsing temperature.
 - Select wash cycle with higher washing temperature.
- Too little or unsuitable detergent.
 - Use suitable detergent at correct dosage.
- Dishes pre-cleaned too intensely; sensors therefore decide on weak wash cycle sequence. Stubborn soiling cannot be completely removed.
 - Do not pre-rinse dishes. Remove only large food soils. Increase sensitivity of the sensors. Recommended wash cycle "Normal"

Colored (blue, yellow, brown), difficult to remove to non-removable coatings in the dishwasher or on stainless steel dishes.

- Film formation consisting of ingredients from vegetables (e.g. cabbage, celery, potatoes, noodles, ...) or the tap water (e.g. manganese).
 - Can be partly removed with machine cleaner or by mechanical cleaning. Coatings are harmless.
- Film formation caused by metallic components on silver or aluminum silverware.
 - Can be partly removed with machine cleaner or by mechanical cleaning.

Colored (yellow, orange, brown), easily removable deposits inside the dishwasher (mainly in the floor area)

- Film formation consisting of ingredients from food soils and substances from the tap water (limescale), "soapy"
 - Check function of the water softening system (refill with salt) or, if using combined detergents (tablets), activate water softening system. → "Water softening system / special salt" on page 13

Discoloration of the plastic parts inside the dishwasher.

- Plastic parts inside the dishwasher may become discolored during the service life of the dishwasher.
 - Discoloration is normal and will not impair the function of the dishwasher.

Plastic parts discolored.

- Too low rinsing temperature.
 - Select wash cycle with higher washing temperature.
- Dishes precleaned too intensely; sensors therefore decide on weak wash cycle sequence. Stubborn soiling cannot be completely removed
 - Do not pre-rinse dishes. Remove only large food soils. Increase sensitivity of the sensors. Recommended wash cycle "Normal"

Removable streaks on glasses, glasses with metallic appearance and silverware.

- Too much rinse aid.
 - Set rinse aid amount to lower setting.
- No rinse aid added or setting too low.
 - Add rinse aid and check dosage (recommended setting 4–5).
- Detergent residue in the final rinse wash cycle section. Detergent dispenser cover blocked by dishes (cover does not open fully).
 - Detergent dispenser cover must not be obstructed by dishes. Do not place dishes or fragrance dispenser in the detergent tab tray.
- Dishes precleaned too intensely; sensors therefore decide on weak wash cycle sequence. Stubborn soiling cannot be completely removed.
 - Do not pre-rinse dishes. Remove only large food soils. Increase sensitivity of the sensors. Recommended wash cycle "Normal"

Initial or existing, irreversible clouding of glass.

- Glasses not dishwasher-proof, only suitable for dishwasher.
 - Use dishwasher-proof glasses. Avoid long steam phase (standing time after wash cycle ends). Use wash cycle at lower temperature. Set water softening system according to the water hardness (if required one setting lower). Use detergent with glass protection component.

Rust spots on the silverware.

- Silverware not adequately rust-resistant. Knife blades are frequently more severely affected.
 - Use corrosion-resistant silverware.
- Silverware will also rust if rusting parts are rinsed at the same time (pan handles, damaged utensil baskets, etc.)
 - Do not wash rusting parts.
- Salt content in the rinsing water too high, as salt dispenser lock not fastened firmly or salt was spilled while being refilled.
 - Fasten salt dispenser lock firmly or remove spilled salt.

Dishwasher cannot be switched on or operated.

- Malfunction.
 - Disconnect dishwasher from the power supply; pull out the power supply plug or switch off the fuse. Wait at least 5 seconds, then connect the dishwasher to the power supply

Dishwasher does not start.

- Power supply fuse may have been blown or circuit breaker tripped.
 - Replace blown fuse or reset tripped circuit breaker.
- Door may not be properly latched.
 - Press the main power switch to turn unit on.
- Unit may not be turned on.
 - Shut door completely.
- Delay start may be engaged.
 - To reset, refer to “Delay start” section in this manual.
- Child lock is activated.*
 - Deactivate the child lock. Refer to “Child Lock” section in this manual if applicable.

- The door may have been closed without first selecting a cycle.
 - Select a cycle and close the door.
- Power cord not inserted.
 - Ensure that the power cord is plugged all the way into the back of the dishwasher and into the socket. Check that the socket functions.
- The water supply may not be connected.
 - Check and turn on water supply.
- The dishwasher door has not been shut properly.
 - Close the door.
- The door has been open for more than 4 seconds after pressing the START button.
 - Press the START button again and close the dishwasher door within 4 seconds (see “Protection against unintentional operation”).

Wash cycle starts automatically.

- You did not wait until wash cycle ended.
 - Perform reset. (see “Canceling the wash cycle”).

Cover on the detergent dispenser cannot be closed.

- Detergent dispenser or cover guide blocked by sticky detergent residue
 - Remove detergent residue.

Detergent residue in the detergent dispenser **32** or in the detergent tab tray **24**.

- Spray arms blocked by dishes, therefore detergent is not rinsed out.
 - Ensure that the spray arms can rotate freely.
- The detergent dispenser was damp when filled.
 - Pour detergent into the dry detergent dispenser only.

Dishwasher stops in the wash cycle or wash cycle is interrupted.

- Door not closed properly.
 - Close the door.
- Do not place dishes or fragrance dispenser in the detergent tab tray. Upper rack presses against the door and prevents door from being closed securely.
 - Check whether rear panel is being pressed in, e.g. by socket or by hose holder which has not been removed.

- Power and/or water supply interrupted.
 - Restore power and/or water supply.

Filling valves making striking noises.

- Depends on domestic installation, as dishwasher is not defective. No effect on dishwasher function.
 - No remedial action possible.

Knocking or rattling noise.

- Spray arm strikes the dishes, dishes not positioned correctly.
 - Position dishes so that the spray arms do not strike the dishes.
- If there is a low load, the water jets strike the washing tank directly.
 - Load the dishwasher with more dishes or distribute the dishes more evenly in the dishwasher.
- Light dishes move during the wash cycle.
 - Arrange light dishes securely.

Unusual foam formation.

- Handwash liquid in the rinse aid dispenser.
 - Immediately refill rinse aid dispenser with rinse aid.
- Rinse aid spilled.
 - Remove rinse aid with a cloth.

Warning

This content is compiled from multiple sources and is provided for reference purposes only. It may not be complete or fully applicable to all situations. If you are unable to resolve your issue, please contact the product manufacturer or an authorized service provider for official support.