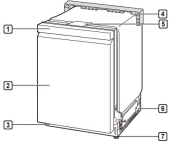
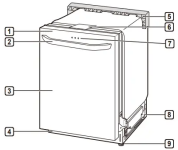


## PRODUCT OVERVIEW

### Exterior Parts

|  |  |
|--|--|
|   | <ol style="list-style-type: none"> <li>1. Control Panel &amp; Door Handle</li> <li>2. Front Cover</li> <li>3. Lower Cover</li> <li>4. Shipping Brace</li> <li>5. Safety Cover</li> <li>6. Base</li> <li>7. Leveling Feet</li> </ol>                                |
|  | <ol style="list-style-type: none"> <li>1. Control Panel</li> <li>2. Door Handle</li> <li>3. Front Cover</li> <li>4. Lower Cover</li> <li>5. Shipping Brace</li> <li>6. Safety Cover</li> <li>7. SignalLight™</li> <li>8. Base</li> <li>9. Leveling Feet</li> </ol> |

### SignalLight™ (Front Display)

The top-control models have 3 indicator LEDs centered at the top of the front cover.

- Red : Error (See the Error Codes in Troubleshooting section.)
- White (steady): Normal operation.
- White (blinking): Cycle has been paused. (After four minutes in pause mode, the machine turns off.)
- Green: Cycle finished normally.

The default “ON” setting keeps the green light on until the door is opened. If the setting is changed to “OFF”, the green light turns off after 90 seconds. To change the setting, turn the power on and

press and hold the High Temp button for 3 seconds until “ON” or “OFF” appears in the display. The setting is stored until you change it.

## Interior Parts



## OPERATION

### Using the Appliance

#### Before Using the Appliance

- Read the Important Safety Instructions.
- Connect to the hot water supply only. The water supply temperature should be a minimum of 120°F (49°C) for better washing performance and shorter cycle time.
- Follow the instructions for loading the dishwasher to ensure effective cleaning.
- Remove insoluble items such as bones, toothpicks, and pieces of paper while loading the dishwasher.

#### When loading the dishwasher

1. Only load items that are dishwasher-safe.
2. Remove solid, burned-on scraps from dishes prior to loading in the dishwasher.
3. Place items with deep dish bottoms at an angle to help water run off and speed the drying process.

#### Quick Start

1. Load the Dishes

Scrape the dishes free of excess food, bones, and any other hard, non-soluble residue. Pull each rack out and load the dishes as described in this manual.

## 2. Measure the Detergent


Using the guidelines in this manual, fill the detergent cup with the recommended amount of detergent and close the lid. If a prewash is desired, the recess on top of the lid should also be filled with detergent.

## 3. Close the Door

## 4. Turn on the Dishwasher

To turn on the display panel, press the Power button.

## 5. Check the Rinse Aid

The Rinse Aid  icon will flash if the level of rinse aid in the dishwasher is low. Add rinse aid if the level is low to maintain the effectiveness of the dry cycle.

## 6. Select the Cycle and Options

Select the cycle and options that best fit the load by referring to the Cycle guide. The display will show the estimated time for the cycle and options selected.

## 7. Operate the Dishwasher

### Method 1

- Press the Start button and then close the door in less than four seconds to operate the dishwasher. If the door is not closed within four seconds, the white LED with time flashes, an audible tone is heard, and the cycle does not start.

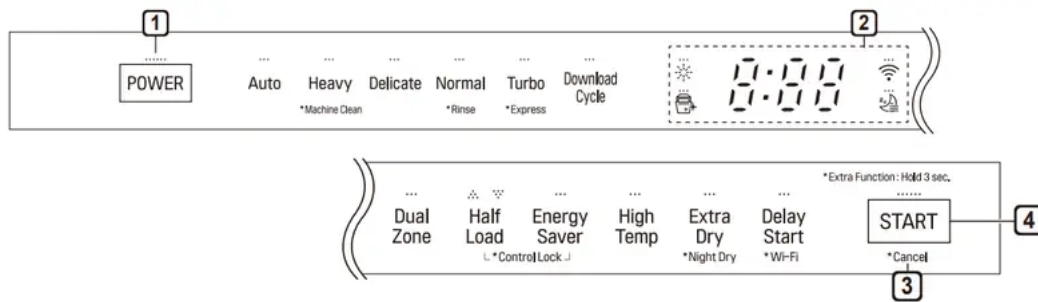
### Method 2

- Close the door first and then press the Start button to operate the dishwasher. If the door is opened during the cycle, the dishwasher will stop. To resume the cycle, see methods 1 and 2 above.

## 8. End of Cycle

When the cycle is complete, a chime will sound and the display will show End until the door is opened or Power is pressed. To save energy, press and hold High Temp for three seconds to set the End display to automatically turn off a few minutes after the cycle ends.

## Control Panel



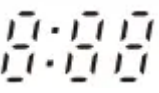
### 1. Power

- Press the Power button to turn power on and off.
- After the cycle is complete, the power automatically turns off for purposes of safety and economy.
- If there is a power surge, power outage, or disruption of any kind, power is automatically turned off for safety.
- When power is connected again, it will turn on automatically and resume the cycle.


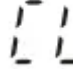
### 2. Display

-  : Rinse Aid Icon

- This icon illuminates when the rinse aid level is low. The LED automatically shuts off when the rinse aid is refilled or the level is set to 0.
- Refer to the Rinse Aid Dispenser Adjustment section.

-  : Digital Display

- The digital display on the control panel shows the ESTIMATED cycle time. When the cycle and options are selected, the display shows the total estimated time to complete those selections. During operation, the display shows the remaining estimated operating time.

-  ,  : Control Lock

- The Control Lock feature helps prevent settings from being changed during a cycle. Selecting this feature locks all of the buttons, except for the Power button, on the control panel. This feature does not lock the door.
- While a cycle is running, press and hold Half Load and Energy Saver simultaneously for three seconds to activate or deactivate Control Lock.

- To start a new cycle, deactivate Control Lock.

-  : Wi-Fi

- When the appliance is connected to the internet through a home Wi-Fi network, this icon illuminates.

- Press and hold Delay Start for approximately three seconds to connect to the network.

### 3. Cancel

- The drain pump activates and the cycle cancels. Once the dishwasher finishes draining, the power turns off.
- Press and hold Start for three seconds to activate.

### 4. Start

- To operate the machine, either press Start and close the door within four seconds or close the door and press Start.
- If Start button is not pressed to start the cycle, an alert will sound.

### Chime On/Off

- To activate or deactivate the button sounds, press and hold Dual Zone and Energy Saver simultaneously for three seconds. The error alert sound cannot be turned off.

## Cycles

Select your desired cycle.

### Auto

This cycle senses the soil amount and soil toughness and is optimized to achieve the best cleaning

### Heavy

This cycle is for heavily soiled dishes and dishes with hardened on soil. The Heavy cycle defaults to the strongest spray intensity and uses it to wash heavily soiled dishes.

### Delicate

Use this cycle to clean delicate items such as fine china and stemware.

### Normal

This cycle is for moderately soiled, everyday loads. Select the Night Dry option if leaving dishes overnight. Press and hold Extra Dry for three seconds to activate Night Dry.

- After the cycle ends, the fan runs for an hour to help vent the warm, moist air in the tub. You can stop the fan by opening the door after the cycle ends.

## Turbo

This cycle will clean heavily soiled dishes in an hour using slightly more energy and water.

- This cycle does not have drying. Select the Extra Dry and Night Dry option or another cycle for better drying.

## Download Cycle

Use a dedicated cycle downloadable via Wi-Fi or NFC.

### NOTE

- Only the cycle code for the current Download cycle appears on the appliance. See the smartphone app for cycle codes, names, and more information about the available cycles.
- Default Cycle : P1. Pots & Pans

## Machine Clean

This cycle is for cleaning the inside of the dishwasher. Use the cycle without dishes in the machine. It eliminates residual soils, odor, white spots, and other dirt. Add citric acid or another cleaning agent for more effective results.

- Press and hold Heavy for three seconds to activate

## Rinse

This cycle is a quick rinse for dishes that will not be washed immediately. The cycle rinses dishes that have excess soil to soften dried on residue. Rinsing the dishes helps prevent odors in the dishwasher. No detergent should be used.

- This cycle does not have drying.
- Press and hold Normal for three seconds to activate.

## Express

This cycle will quickly clean lightly soiled dishes. (Time : 33 minutes)

- This cycle does not have drying. Select the Extra Dry and Night Dry option or another cycle for better drying.
- Press and hold Turbo for three seconds to activate.

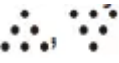
## Options

Select the desired cycle button and then select the options for that cycle.

## Dual Zone

This option automatically sets the spray intensity to soft for the upper spray arm and strong for the lower spray arm. Place heavily soiled dishes like plates and bowls in the lower rack and lightly soiled dishes like cups and small plates in the upper rack to get the best results.

### Half Load

This option washes intensively by selecting the upper or lower racks. For small loads, use just the upper or lower rack to save energy and time. By pressing the Half Load button, the settings  and the cancellation of the Half Load option are available.

### Energy Saver

This option saves energy by reducing the wash and rinse temperatures. Wash time is increased to maintain wash performance. Do not use this cycle with heavily soiled dishes.

### High Temp

Raises the main wash temperature to improve cleaning.

### Extra Dry

Select the Extra Dry option for better drying performance. This option adds extra drying time to the cycle and raises the heated rinse temperature.

- When the rinse aid is empty, the Extra Dry option is selected automatically.

### Night Dry



Dishes are often left in the dishwasher overnight after the cycle ends. This can result in the steam inside the tub condensing on dishes, leaving them wet. The Night Dry option runs the ventilation fan periodically to help vent the steam from the tub.

- Press and hold Extra Dry for three seconds to activate.
- The Night Dry option is selected by default for all cycles for which it is available, except the Normal cycle.
- To add the Night Dry option to the Normal cycle, press and hold Extra Dry for 3 seconds.

### Delay Start

The Delay Start feature delays the start of a selected cycle. Each time the Delay Start button is pressed, the delay time increases by an hour. The delay time can be set from 1 to 12 hours, in one-hour increments.

## MAINTENANCE

To maintain performance and prevent trouble, it is important to check the outside and inside of the dishwasher, including filters and spray arms, at regular intervals

## Cleaning the Exterior

- In most cases, the exterior of the dishwasher can be cleaned with a soft damp cloth or sponge, then dried with a soft cloth. If the dishwasher has a stainless steel exterior, use a stainless steel cleaner.

## Cleaning the Interior

- Clean the interior of the dishwasher periodically with a soft, damp cloth or sponge to remove food and dirt particles.
- To remove white spots and odor from inside the dishwasher, run an empty cycle, without detergent, with one cup of white vinegar in a dishwasher safe glass or bowl placed on the upper rack. (Vinegar is an acid and with constant use it could damage the appliance.)

## Seasonal Maintenance and Storage

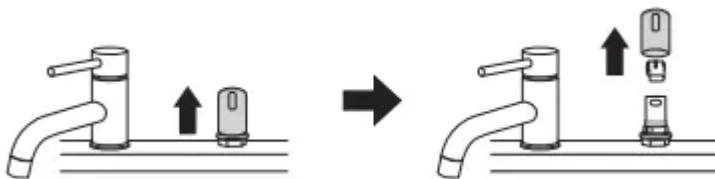
- If you will be absent for an extended period of time during warmer months, close the water valve and disconnect the power supply line, or turn off the circuit breaker. Clean the filter, tub and dispenser to prevent odor.
- If you will be absent for an extended period of time during colder months and there is a possibility of freezing temperatures, winterize the water supply lines and the dishwasher itself. Winterization must be performed by qualified service personnel.

## Clogged Drain Air Gap or In-Sink Disposal

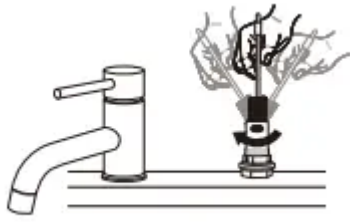
Check the drain air gap or in-sink disposal if the dishwasher is not draining well.

### Cleaning the Air Gap

1. Turn off the dishwasher.
2. Remove the air gap cover and the plastic cap underneath it.



3. Clean out any debris with a toothpick or brush.



4. Replace the plastic cap and air gap cover.



### Cleaning the Filters

1. Remove the lower rack and position the bottom spray arm so a wider vee is open to the front.
2. Turn the inner filter counter-clockwise and take out the assembled inner filter and stainless steel filter.

With the filters removed, check the sump opening and remove any foreign materials, if needed.



3. Clean the filters with a soft brush under running water. Reassemble the filters before reinstalling them.

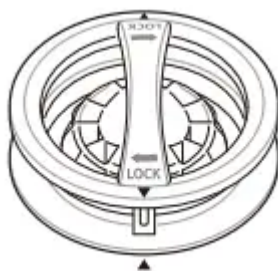


4. To replace the assembled filters, position the spray arm so the wider vee is toward the front. Fit the filters back into the filter holder and secure them by turning the inner filter clockwise until it clicks into place.



**NOTE**

- For best wash performance, clean the filter after each load. If food debris remains in the filter, it may cause an odor.
- In areas with hard water, clean the filter at least once a month with a soft brush.
- Clean the filters using non-abrasive materials and warm running water.
- Make sure the filter is assembled correctly before starting a cycle. When assembling, rotate it firmly until it clicks.



**Recommended Filter Cleaning Schedule**

| Number of Loads Per Week | If you wash dishes before loading | If you scrape and rinse dishes before loading | If you only scrape dishes before loading | If you do not scrape or rinse dishes before loading |
|--------------------------|-----------------------------------|---|--|---|
| 1-3                      | Every 6 months                    | Once a year                                   | Four times a year                        | Once a month  |
| 4-7                      | Every 6 months                    | Once a year                                   | Four times a year                        | Twice a month (every 15 days)                       |
| 8-12                     | Every 6 months                    | Every 6 months                                | Every 1.5 months                         | Every week  |
| 13-14                    | Every 6 months                    | Every 6 mont                                  | Every 1.5 months                         | Twice a week  |

**Cleaning the Spray Arms**

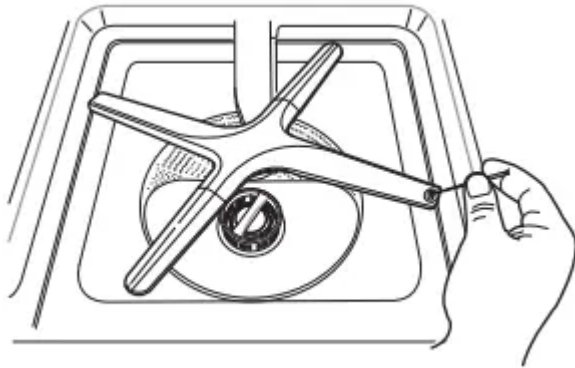
If the spray arm holes are blocked by any food residue, dishes may not be cleaned well due to improper water spray.

It is recommended that the spray arms be cleaned once every two weeks.



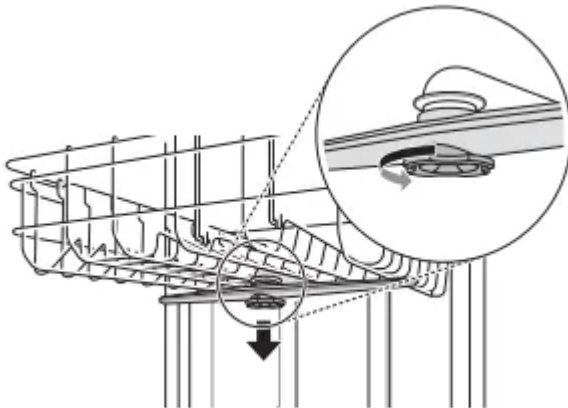
### Cleaning the Lower Spray Arm

1. Make sure that the water jet holes are not blocked by food particles.
2. If any food residue blocks the spray arm holes, remove it with a pin or any sharp tool.

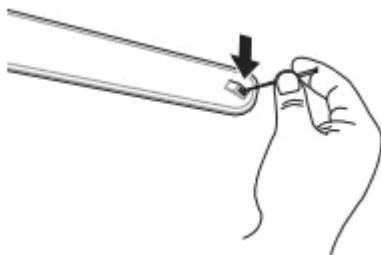


### Cleaning the Upper Spray Arm

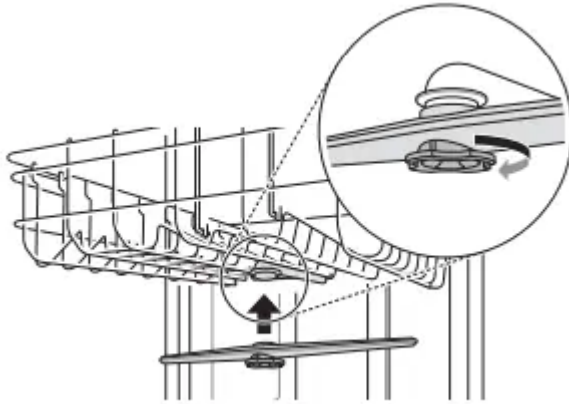
1. Pull the upper rack forward. Make sure that the water jet holes are not blocked by food particles.
2. When cleaning is necessary, remove the upper spray arm by turning the nut on the bottom of the spray arm 1/8 turn counter-clockwise and pulling down.



3. Remove food particles by rinsing or shaking the spray arm.
4. If any food residue blocks the spray arm holes, remove it with a pin or any sharp tool.



5. After removing the food residue, clean the spray arms holes under running water.
6. After cleaning the upper spray arm, press it up into place. Turn the nut 1 /8 turn clockwise to make sure that the nut locks back into place.



7. After assembly, check whether the spray arms rotate freely

## TROUBLESHOOTING

### FAQs: Frequently Asked Questions

**Q: Does this dishwasher require a rinse aid to be used?**

A: Rinse aid is strongly recommended to enhance the drying performance of the dishwasher. In order to be more energy efficient, the hybrid drying system does not use a heating element to assist in drying, so a rinse aid plays an integral role in the drying process. If a rinse aid is not used, water may remain on the dishes and the tub. Rinse aid helps to ensure that the majority of the water has been sheeted off of the dishes at the end of the rinse and that the load is ready for the dry cycle.

**Q: What can be done if my dishes have a cloudy, white film on them after a wash?**

A: The cloudy film is usually caused by minerals in the water reacting with the dishwasher detergent. First, be certain not to use too much detergent. Refer to Adding Detergent to the Dispenser section for recommended detergent amounts. Add an extra rinse to the cycle. LG Dishwashers use less water than traditional dishwashers, so adding an extra rinse aids in rinsing the film away. If the water supply is hard, it may be necessary to add a performance booster that addresses the hard water condition.

**Q: How do I remove white film on the tub?**

A: Measure 3 tbsp. (40 g) of citric acid powder and use it to fill the main detergent compartment. Run a Machine Clean cycle. Do not use detergent.

**Q: What steps can I take to improve drying results?**

A: Drying performance is directly affected by the amount of heat that remains in the tub after the heated rinse is performed. If your dishwasher is far away from your home's hot water heater, it may be necessary to run the hot water tap in the sink before starting a wash cycle, to ensure that cool water is purged from the hot water lines. This will ensure your dishwasher has a consistent supply of hot water from start to finish. Using the High Temp setting also aids in keeping the inner drum temperature and dishes hotter before drying begins.

LG dishwashers are designed to be used in conjunction with a rinse aid. Using a rinse aid will maximize the amount of water that has already been sheeted away from the dishes before the dry cycle begins. If a rinse aid is used and the performance still needs a boost, adjust the amount of rinse aid used. 2 is the default setting, but if necessary set the level to 3 so more rinse aid is used.

Water tends to bead rather than sheet off plastic and nonstick surfaces, making them more difficult to dry. If washing plastic items in a Normal cycle, select the Extra Dry or Night Dry option or both for better drying results. When the rinse aid is empty, the Extra Dry option is selected automatically.

Allow the dishwasher to completely finish the dry cycle before opening the door. If the door is opened in the middle of the dry cycle, the heat that is necessary for the hybrid dry system to work will escape. This will cause all of the dishes inside to remain wet once the cycle finishes.

**Q: What is the hybrid drying system?**

A: The dishwasher does not rely on a heating element for the drying process; instead, it relies on the heat that is retained by the dishes and the tub during the wash and rinse cycles to turn the moisture in the tub into humidity.

Warm, moist air in the dishwasher is then pulled into a condensing duct in the door by a fan. The air then cools, which causes the humidity to condense. Room temperature air is also drawn into the duct to help the air cool down faster. When this moisture condenses into a liquid, it is drained out.

**NOTE**

- Rinse aid is required to enhance the drying performance. If no rinse aid is used, water may remain on the dishes and the tub.

**Q: Why am I hearing a whistling sound from the dishwasher?**

A: It is important to determine the duration of the noise and when it happens (what part of the cycle). When water is drawn into the dishwasher, a whistling noise can be heard. This is normal. If the water pressure is too high, it will be louder, so it may be necessary to adjust the water valve to lower the pressure if the noise is too loud.

**Q: What kinds of dishes can be placed in the dishwasher?**



A: Ensure that the dishes you place in the dishwasher are dishwasher safe. Plastic dishware will not dry as effectively as glass and metal dishware. Plastic items do not retain heat as well as glass and metal dishware. Plastic cups and dishes may require some hand drying before being put away at the end of the cycle

**Q: Can I perform a drain only cycle?**

A: To drain standing water, press and hold Start for three seconds until the cycle stops. Once the dishwasher finishes draining, the power turns off.

**Q: Why does my dishwasher continuously chime if I open the door during a cycle or right after the cycle has finished?**

A: This is normal. The dishwasher is letting you know that the interior temperatures of the unit are hot and to use caution when placing your hands inside. Once the unit has cooled down, the chiming will stop.

**Q: What is Control Lock and how is it activated?**

A: Control Lock is a feature that prevents the controls from being changed during the cycle. It does not prevent the door from being opened or the unit from being powered off. To activate or deactivate, press and hold Half Load and Energy Saver simultaneously for three seconds.

**Q: Can I add an extension to the drain hose?**

A: If an extension drain hose is required, use 5 /8" or 7 /8" inside diameter, 2-3 ft. length hose and a coupler for connecting the two hose ends.

**Q: An LED is blinking, the machine is chiming, and the dishwasher won't start. What is wrong with the dishwasher?**

A: This is a safety feature. The door must be closed within four seconds of pressing the Start button. If the door is not closed within four seconds, an LED flashes, an audible alert sounds, and the dishwasher does not operate. To start the dishwasher, open the door and either close the door and press Start (front controls) or press Start and close the door within four seconds (top controls).

**Q: Before loading dishes, should I pre-rinse dishes?**

A: No, you don't need to pre-rinse the dishes before loading especially if using the Normal and Auto cycles. The dishwasher washes dishes clean without pre-rinsing.

**User Support Videos**

For further assistance, there are videos and tutorials available through the LG website.



1. On the LG home page, click on the Support menu tab to bring up the menu selections. Select Video Tutorials.
2. Select a product category and then pick a topic or search a keyword.



Scan this QR code to quickly access the video search page on the LG website.

### **Before Calling for Service**

The appliance is equipped with an automatic error-monitoring system to detect and diagnose problems at an early stage. If the appliance does not function properly or does not function at all, check the following before you call for service.

| <b>Problem</b>                       | <b>Possible Cause</b>   | <b>Solutions</b>   |
|--------------------------------------|---|--|
| <b>Dishwasher will not operate.</b>  | <b>Start button is not pressed.</b>   | <ul style="list-style-type: none"> <li>• Press the Start button.</li> </ul>  |
|                                      | <b>Door is not completely closed.</b>   | <ul style="list-style-type: none"> <li>• Make sure that the door is completely closed and latched.</li> </ul>  |
|                                      | <b>Power supply or power supply line is not connected.</b>  | <ul style="list-style-type: none"> <li>• Connect the power supply or power supply line properly.</li> </ul>  |
|                                      | <b>Fuse is blown or circuit breaker tripped.</b>  | <ul style="list-style-type: none"> <li>• Replace the fuse or reset the circuit breaker.</li> </ul>   |
|                                      | <b>Control Lock is activated.</b>   | <ul style="list-style-type: none"> <li>• Deactivate Control Lock.</li> </ul>   |
| <b>Dishwasher operates too long.</b> | <b>Dishwasher is connected to cold water.</b>   | <ul style="list-style-type: none"> <li>• Check the water supply connection or water heater setting. (Heating cold water takes longer.)</li> </ul>  |
| <b>Odor</b>                          | <b>The previous cycle was stopped before completion and residual water remains in the dishwasher.</b> | <ul style="list-style-type: none"> <li>• Turn on the power, run the Cancel cycle option to remove the residual water, then run the Turbo cycle using detergent but with the dishwasher empty.</li> </ul> |
|                                      | <b>There is food in the bottom of the unit or in the filter.</b>                                      | <ul style="list-style-type: none"> <li>• Clean the filter and the interior according to the Maintenance section of the owner's manual.</li> </ul>  |
|                                      | <b>Unwashed dishes are left in the unit for a long time.</b>  | <ul style="list-style-type: none"> <li>• Cycle with one cup of white vinegar in a dishwasher safe glass or bowl placed on the upper rack. (Vinegar is an acid, and with constant use it</li> </ul>       |

|  |   |   |
|--|---|---|
|  |   | could damage your appliance.)   |
| <b>Water remains in tub after completion of cycle.</b> | <b>Drain hose is kinked or clogged.</b>                   | <ul style="list-style-type: none"> <li>• Adjust hose or clear blockage.</li> </ul>  |
| <b>Food soil remains on dishes.</b>                    | <b>Improper cycle selection.</b>                          | <ul style="list-style-type: none"> <li>• Select correct cycle based on soil level and type of dishware being washed.</li> </ul>             |
|  | <b>Water temperature is too low.</b>                      | <ul style="list-style-type: none"> <li>• Check water supply connection or water heater setting.</li> </ul>                                  |
|  | <b>Dishwashing detergent was not used.</b>                | <ul style="list-style-type: none"> <li>• Use recommended detergent.</li> </ul>  |
|  | <b>Low inlet water pressure.</b>                          | <ul style="list-style-type: none"> <li>• Water pressure should be between 20 and 80 psi.</li> </ul>   |
|  | <b>Water jet holes on spray arms blocked.</b>             | <ul style="list-style-type: none"> <li>• Clean the spray arms.</li> </ul>   |
|  | <b>Improper loading of dishes.</b>                        | <ul style="list-style-type: none"> <li>• Make sure dishes do not block spray arm rotation or interfere with detergent dispenser.</li> </ul> |
|  | <b>Filters are clogged.</b>                               | <ul style="list-style-type: none"> <li>• Clean filters.</li> </ul>  |
| <b>Cloudiness on glassware.</b>                        | <b>Combination of excessive detergent and hard water.</b> | <ul style="list-style-type: none"> <li>• Use less detergent and use a rinse aid to minimize the problem.</li> </ul>                         |
| <b>Black or gray marks on dishes.</b>                  | <b>Aluminum items rubbing dishes during cycle.</b>        | <ul style="list-style-type: none"> <li>• Reposition the dishes.</li> </ul>  |



|   |                              |   |
|---|------------------------------|---|
| <b>Yellow or brown film on inside surfaces of dishwasher.</b> | <b>Coffee or tea stains.</b> | <ul style="list-style-type: none"><li>• Eliminate the stain by using a stain removal product.</li></ul> |
|---|------------------------------|---|



|                                     |                                       |   |
|-------------------------------------|---------------------------------------|---|
| <b>Spots and filming on dishes.</b> | <b>Low water temperature.</b>         | <ul style="list-style-type: none"> <li>• Water supply should be at least 120 °F for best wash performance.</li> </ul>   |
|                                     | <b>Overloading.</b>                   | <ul style="list-style-type: none"> <li>• Do not overload the dishwasher.</li> </ul>   |
|                                     | <b>Improper loading.</b>              | <ul style="list-style-type: none"> <li>• See the Operation section.</li> </ul>  |
|                                     | <b>Insufficient water pressure.</b>   | <ul style="list-style-type: none"> <li>• Water pressure should be between 20 and 80 psi.</li> </ul>   |
|                                     | <b>Insufficient detergent.</b>        | <ul style="list-style-type: none"> <li>• Add the recommended amount of detergent. See the Operation section.</li> </ul>   |
|                                     | <b>Rinse aid dispenser is empty.</b>  | <ul style="list-style-type: none"> <li>• Refill rinse aid dispenser.</li> </ul>   |
|                                     | <b>Hard water buildup in the tub.</b> | <ul style="list-style-type: none"> <li>• Remove all dishes, silverware and silverware holder from dishwasher.</li> </ul> <p>Only racks should remain in tub. For best results, use citric acid powder (can be found in canning sections of most grocery stores or online). Measure 3 tablespoons (40 g) of citric acid powder. Fill main wash compartment with measured powder. If you cannot find citric acid powder, pour approximately one cup (200-300 mL) of white vinegar into shallow bowl and place in upper rack. Run Machine Clean cycle. Do not use detergent.</p> |



|   |  |  |
|---|--|--|
| <b>Noise</b>  | <b>Some level of noise is normal during operation.</b>   | <ul style="list-style-type: none"> <li>• Detergent cover opening.</li> <li>• Drain pump at the beginning of drain cycle.</li> </ul>  |
|   | <b>The dishwasher is not level.</b>  | <ul style="list-style-type: none"> <li>• Adjust leveling feet.</li> </ul>  |
|   | <b>Nozzle arm knocking against dishes.</b>   | <ul style="list-style-type: none"> <li>• Reposition the dishes.</li> </ul>   |
| <b>Dishes don't dry.</b>  | <b>Rinse agent dispenser empty.</b>  | <ul style="list-style-type: none"> <li>• Check and refill the rinse agent dispenser if empty.</li> </ul>   |
| <b>Lamps do not illuminate.</b>   | <b>Power is not connected.</b>   | <ul style="list-style-type: none"> <li>• Connect power supply.</li> </ul>  |
| <b>Spray arms do not rotate smoothly.</b>   | <b>Holes of spray arms are blocked by food particles.</b>  | <ul style="list-style-type: none"> <li>• Clean the holes of spray arms.</li> </ul>   |
| <b>Upper rack is crooked.</b>   | <b>Rack is poorly adjusted.</b>  | <ul style="list-style-type: none"> <li>• See the Height Adjustable Upper Rack section.</li> </ul>  |
| <b>Dishwasher continuously chimes when the door is opened, during or right after a cycle has completed.</b> | <b>This is a safety measure. Contact with escaping steam or the hot contents of the dishwasher could result in injury.</b> | <ul style="list-style-type: none"> <li>• Close the door until the dishwasher and dishes have cooled down. The chiming will stop if the door is closed or the interior temperature has cooled.</li> </ul> |

|   |   |   |
|---|---|---|
| <p><b>Dishwasher chimes if panel is touched during operation.</b></p>                   | <p><b>Bumping into or touching the control panel during operation may result in a disabled button sound. Only the Power, Start, and Control Lock buttons are enabled during operation to prevent cycle settings from being changed inadvertently.</b></p> | <ul style="list-style-type: none"> <li>• Button sounds can be turned off by pressing and holding <b>Half Load</b> for three seconds.</li> <li>• The end of cycle chime and safety alert sounds will still sound.</li> </ul> |
| <p><b>Dishwasher did not finish cycle.</b></p>  | <p><b>Door was opened during cycle.</b></p>   | <ul style="list-style-type: none"> <li>• If the door is opened during a cycle, the Start key must be pressed within 4 minutes or the machine turns off and all settings are lost.</li> </ul>                                |
| <p><b>Leaking in front of unit</b></p>  | <p><b>Dishwasher not leveled properly.</b></p>  | <ul style="list-style-type: none"> <li>• Verify the unit is level from side to side and from front to back. See leveling instructions in the Installation section.</li> </ul>   |
|   | <p><b>Wrong detergent used.</b></p>   | <ul style="list-style-type: none"> <li>• If excessive sudsing is causing the leak, allow the foam to subside for 24 hours then clean the inside of the tub with milk.</li> </ul>  |
| <p><b>Your home appliance and smartphone is not connected to the Wi-Fi network.</b></p> | <p><b>The password for the Wi-Fi that you are trying to connect to is incorrect.</b></p>  | <ul style="list-style-type: none"> <li>• Find the Wi-Fi network connected to your smartphone and remove it, then register your appliance on LG SmartThinQ.</li> </ul>   |
|   | <p><b>Mobile data for your smartphone is turned on.</b></p>   | <ul style="list-style-type: none"> <li>• Turn off the <b>Mobile data</b> of your smartphone and register the appliance using the Wi-Fi network.</li> </ul>  |







|  |   |   |
|--|---|---|
|  | <p><b>The wireless network name (SSID) is set incorrectly.</b></p>          | <ul style="list-style-type: none"> <li>• The wireless network name (SSID) should be a combination of English letters and numbers. (Do not use special characters.)</li> </ul>   |
|  | <p><b>The router frequency is not 2.4 GHz.</b></p>                          | <ul style="list-style-type: none"> <li>• Only a 2.4 GHz router frequency is supported. Set the wireless router to 2.4 GHz and connect the appliance to the wireless router. To check the router frequency, check with your Internet service provider or the router manufacturer.</li> </ul> |
|  | <p><b>The distance between the appliance and the router is too far.</b></p> | <ul style="list-style-type: none"> <li>• If the distance between the appliance and the router is too far, the signal may be weak and the connection may not be configured correctly. Move the location of the router so that it is closer to the appliance.</li> </ul>                      |
| <p><b>P1, P2, P3, or P4 appears in display.</b></p>                    | <p><b>The Download cycle is selected.</b></p>                               | <ul style="list-style-type: none"> <li>• This is not an error code. This code indicates the current Download cycle.</li> </ul>  |
| <p><b>n:#, U:#, d:#, t# appears in display.<br/>(# = a number)</b></p> | <p><b>Test mode is selected.</b></p>  | <ul style="list-style-type: none"> <li>• This is not an error code. This code is used when testing the dishwasher. Power the unit off and on and the code will disappear.</li> </ul>  |
| <p><b>L0, L1, L2, L3 or L4 appears in display.</b></p>                 | <p><b>Rinse Aid Level setting mode is selected.</b></p>                     | <ul style="list-style-type: none"> <li>• This is not an error code. This code indicates the current rinse aid level. For more information, refer to the Adding Cleaning Agents section.</li> </ul>  |

|                               |                                   |  |
|-------------------------------|-----------------------------------|--|
| <b>CL appears in display.</b> | <b>Control Lock is activated.</b> | <ul style="list-style-type: none"><li>• This is not an error code. This code indicates that the control lock is activated. Press and hold <b>Half Load</b> and <b>Energy Saver</b> simultaneously for three seconds.</li></ul> |
|-------------------------------|-----------------------------------|--|



## Error Codes

| <b>Problem</b>  | <b>Possible Cause</b>  | <b>Solutions</b>  |
|---|--|---|
|    | <b>Water inlet problem.</b>  | <ul style="list-style-type: none"> <li>• Check for a clogged, kinked or frozen water inlet hose.</li> <li>• Check water supply.</li> </ul>  |
|    | <b>Drainage Problem.</b>   | <ul style="list-style-type: none"> <li>• Check for a clogged, kinked or frozen water drain hose.</li> </ul>   |
|   | <b>Air gap or disposal is clogged.</b>                                     | <ul style="list-style-type: none"> <li>• Clean air gap or disposal.</li> </ul>  |
|   | <b>Filters are clogged.</b>  | <ul style="list-style-type: none"> <li>• Clean Filters.</li> </ul>  |
|    | <b>Oversudsing caused by improper detergent, such as liquid dish soap.</b> | <ul style="list-style-type: none"> <li>• Do not use hand dishwashing liquids. Only use detergents which are designed for use in automatic dishwashers.</li> <li>• To remove detergent residue in the tub, pour approximately 4-8 oz(100~200 mL) of milk into a shallow bowl, place it in the upper rack and then run the appliance on the Auto cycle.</li> </ul>  |
|   | <b>Failure to level dishwasher.</b>  | <ul style="list-style-type: none"> <li>• Make sure that the appliance is properly leveled.</li> </ul>   |
|  | <b>Water leakage</b>   | <ul style="list-style-type: none"> <li>• Turn off the water supply to the dishwasher and call an LG Electronics Customer Information Center at 1-800243-0000 (U.S.A.) or 1-888-542-2623 (Canada).</li> <li>• The dishwasher makes an alert sound for 10 seconds, and runs the drain pump intermittently. If power is turned off to the machine, the machine powers back on automatically until the AE error is resolved.</li> </ul> |



|     |                                  |   |
|-----|----------------------------------|---|
| E20 | <b>Excessive Water supplied.</b> | <ul style="list-style-type: none"> <li>• Please call an LG Electronics Customer Information Center at 1-800-243-0000 (U.S.A.)<br/>1-888-542-2623 (Canada).</li> </ul> |
| E20 | <b>Heater circuit failure.</b>   |   |
| E20 | <b>Thermistor failure.</b>       |   |
| E20 | <b>Motor trouble</b>             |   |
| E20 | <b>Vario motor trouble</b>       |   |

### Warning

This content is compiled from multiple sources and is provided for reference purposes only. It may not be complete or fully applicable to all situations. If you are unable to resolve your issue, please contact the product manufacturer or an authorized service provider for official support.

