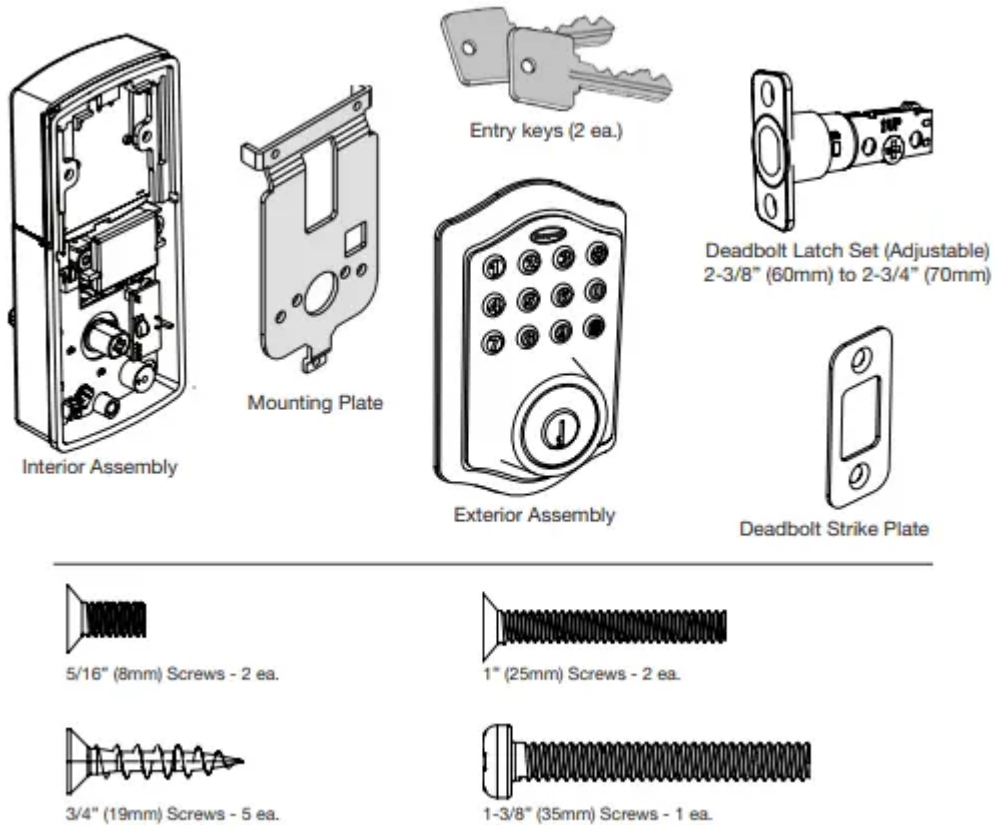


## INSTALLATION INSTRUCTIONS

### Package Contents



### Tools Required

Tools Required for Installation on Pre-drilled Doors:

- Phillips Screwdriver

Tools Required for Installation on Doors That Require Drilling:

- Drill
- Tape Measure
- Pencil
- 2-1/8" (54mm) Drill Hole Saw
- 1" (25mm) Drill
- 1/16" (2mm) Drill
- Chisel
- Hammer

- Phillips Screwdriver

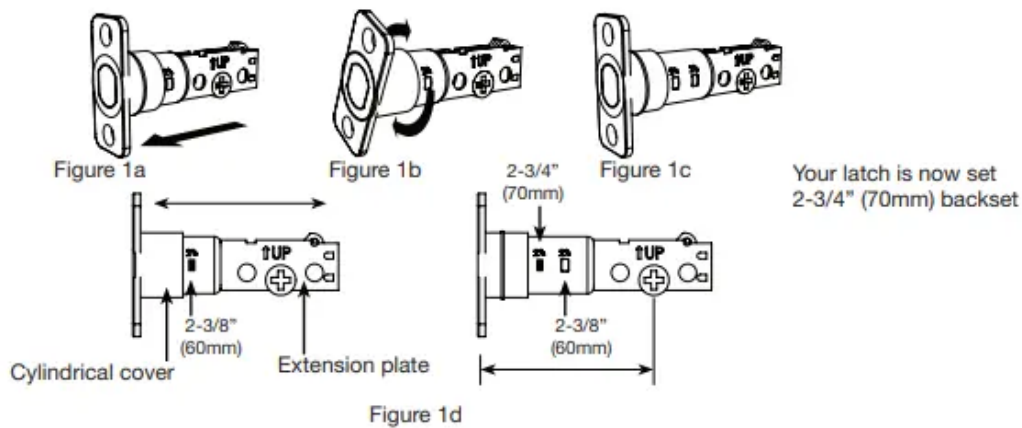
## ADJUSTABLE DEADBOLT LATCH SET

NOTE: Deadbolt Latch Set is shipped with the backset set at 2-3/8" (60mm) Measure the backset (backset is distance between edge of the door and the center of Lock).

### 1. TO CONVERT FROM 2-3/8" (60mm) BACKSET TO 2-3/4" (70mm) BACKSET

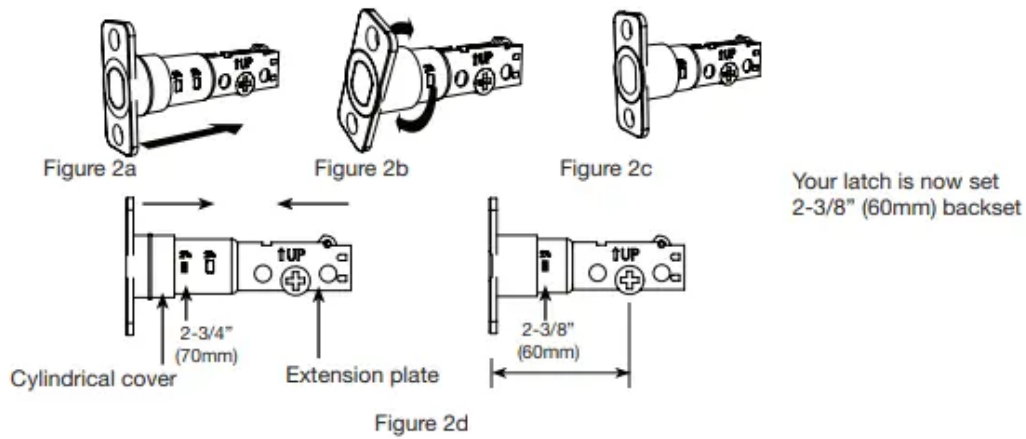
- Hold latch with numbers facing forward and thumb pressing on the bolt (Figure 1a).
- Rotate the cylinder cover clockwise (Figure 1b).
- Pull and twist the extension plate all the way out (Figure 1c).
- Rotate the cylinder cover counter clockwise so that the marking aligns with the 2-3/4" (70mm) position indicator (Figure 1d).

NOTE: Do not extend Cylindrical Cover past 2-3/4" (70mm)



### 2. TO CONVERT FROM 2-3/4" (70mm) BACKSET TO 2-3/8" (60mm) BACKSET

- Hold latch with numbers facing forward and thumb pressing on the bolt (Figure 2a).
- Rotate the cylinder cover clockwise (Figure 2b).
- Push and twist the extension plate all the way in (Figure 2c).
- Rotate the cylinder cover counter clockwise so that the marking aligns with the 2-3/8" (60mm) position indicator (Figure 2d).



## PREPARE DOOR AND JAMB

### 1. TEMPLATE

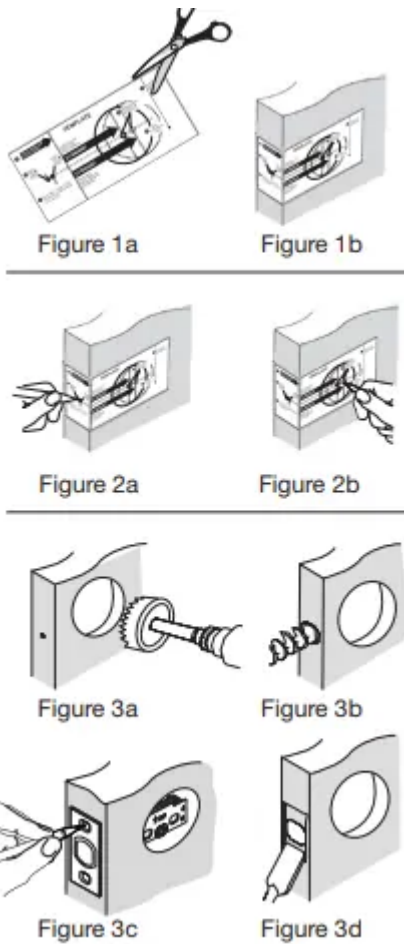
- a. Cut out template printed on page 15 of this Manual (Figure 1a).
- b. Fold template and place on door 36" (925mm) from the ground as marked (Figure 1b).

### 2. MARK THE DOOR FOR DRILLING

- b. Mark center hole on door edge through guide on template for 1" (25mm) latch bolt (Figure 2a).
- a. Mark center hole on door face through guide on template for 2-3/8" (60mm) or 2-3/4" (70mm) backset (Figure 2b).

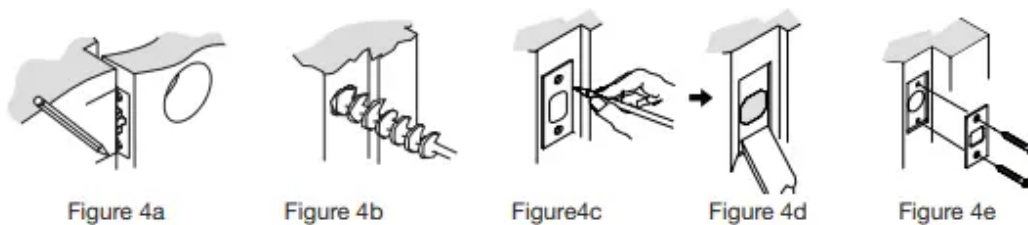
### 3. DRILL AND CHISEL DOOR

- a. Drill 2-1/8" (54mm) hole through door face as marked for lock set (Figure 3a).
- b. Drill 1" (25mm) hole in center of door edge for Deadbolt Latch Assembly (Figure 3b).
- c. Insert Deadbolt Latch Assembly in hole keeping it parallel to face of door. Mark outline and remove latch (Figure 3c).
- d. Chisel 1/8" (3mm) deep or until latch face is flush with door edge (Figure 3d).



#### 4. MARK AND DRILL DOOR JAMB

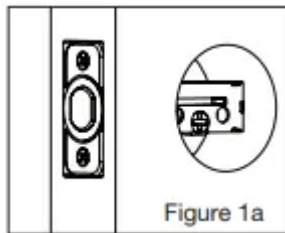
- a. Mark center hole on edge of jamb even with the center of the Latch Bolt on door edge. (Figure 4a).
- b. Drill 1" (25mm) hole 1-3/16" (30mm) deep in door jamb on center mark (Figure 4b).
- c. Outline outside edges of Strike Plate (Figure 4c).
- d. Chisel 1/8" (3mm) deep for Strike Plate or until flush (Figure 4d).
- e. Install Strike Plate using two 3/4" (19mm). screws provided (Figure 4e).



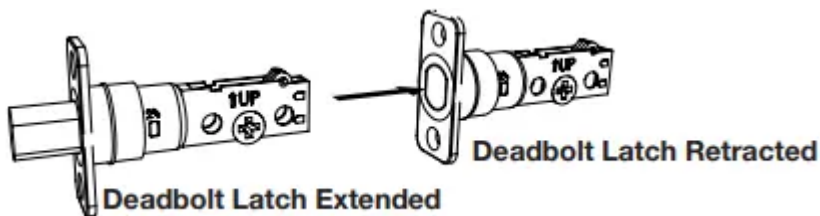
### INSTALLING DEADBOLT LATCH SET

1. INSTALLING THE DEADBOLT LATCH SET (need phillips head screwdriver)

- a. Insert Deadbolt Latch Set into door edge hole with the word "UP" and the arrow on the extension plate facing UP. Cross shaped spindle connector will be at the bottom of the Deadbolt Latch Set (Figure 1a).
- b. Make sure the face plate sits flush with the door. Do not force the latch into the mortise flush. Chisel out excess material if necessary for a flush fit.
- c. Using two 3/4" (19mm). screws provided, screw the latch into the door with a hand held screwdriver. DO NOT OVER TIGHTEN.



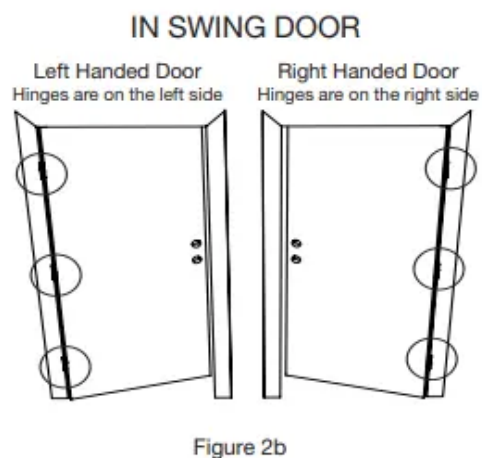
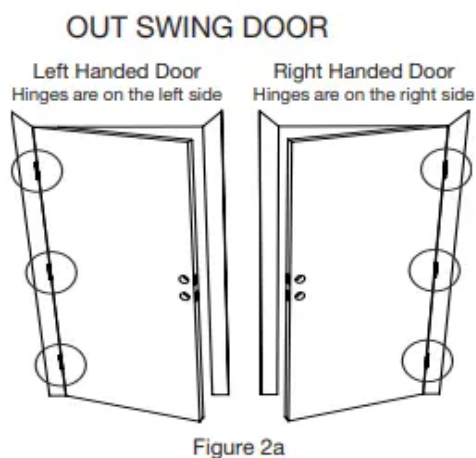
NOTE: Deadbolt Latch must be retracted when installing



## 2. IDENTIFYING YOUR DOOR HANDING

Stand outside the door

- a. If the hinges are on the left your door is Left Handed (Figure 2a).
- b. If the hinges are on the right your door is Right Handed (Figure 2b).



## INSTALLING EXTERIOR ASSEMBLY

### 1. INSTALLING THE EXTERIOR ASSEMBLY

Work with the Door Open for easy access.

- a. Unpack the Exterior Assembly. Use care to not scratch the green circuit board during handling and installation.
- b. Check that the Rubber Gasket is properly seated on the Exterior Assembly (Figure 1a).
- c. Insert the Exterior Assembly onto the door with the tailpiece going through the Deadbolt Latch Set cross shaped spindle connector in the VERTICAL POSITION. Route the Control Wire through the door over the Deadbolt Latch Set (Figure 1b).

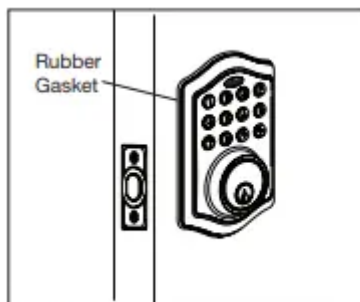


Figure 1a

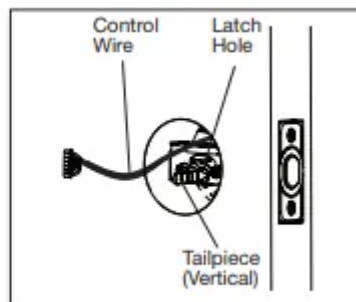
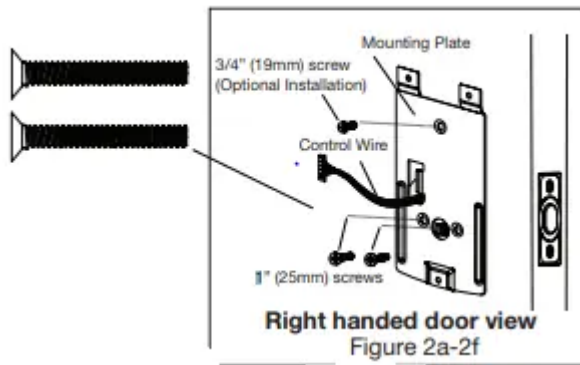


Figure 1b

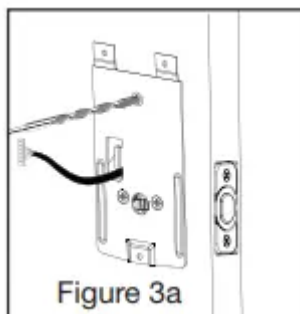
### 2. SECURING THE EXTERIOR ASSEMBLY TO THE DOOR

- a. From the side marked "This side against door", route the Control Wire through the rectangular slot in the Mounting Plate (Figure 2a).
- b. Place Mounting Plate against door with tailpiece passing through the center hole in the three hole set (Figure 2b).
- c. Secure the Mounting Plate to the Exterior Assembly using two 1" (25mm) Screws (Figure 2c).
- d. Hand tighten with a Phillips Screwdriver leaving loosely connected (Figure 2d).
- e. Check that the Rubber Gasket is properly aligned and correct as necessary (Figure 2e).
- f. Check vertical alignment of the lock (Figure 2f).
- g. Tighten securely with a hand held Phillips Screwdriver. DO NOT OVER TIGHTEN



### 3. OPTIONAL INSTALLATION

- a. Using a 1/16" (2mm) drill bit, drill a pilot hole in your door using the Mounting Plate upper hole as a guide (Figure 3a).
- b. Insert one 3/4" (19mm) screw and tighten.

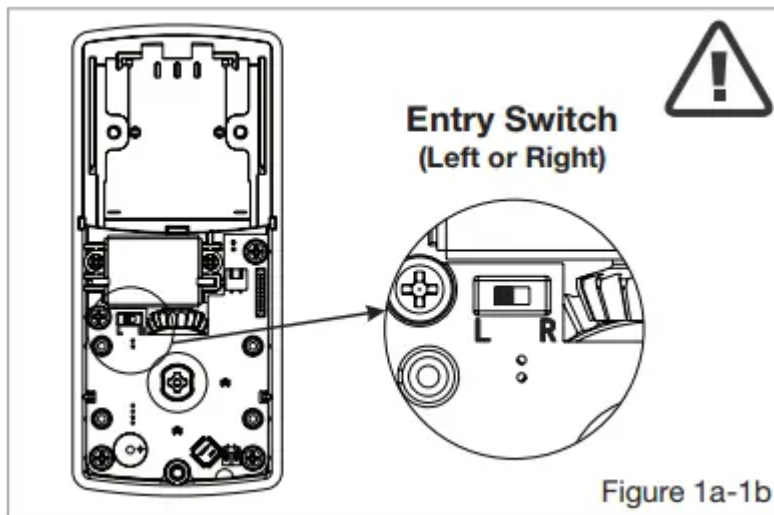


### INSTALLING INTERIOR ASSEMBLY

Unpack the Interior Assembly. Remove the battery cover by sliding the cover upward. Locate the screws holding the Mounting Plate to the Interior Assembly. Remove the screws to release the Mounting Plate from the Interior Assembly.

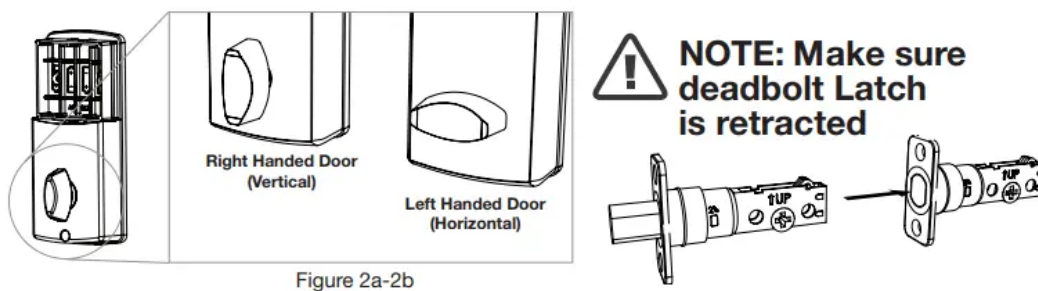
#### 1. SET THE ENTRY SWITCH FOR LEFT OR RIGHT HANDED DOOR

- a. Gently move the switch to "L" for Left Handed Door (Figure 1a).
- b. Gently move the Switch to "R" for Right Handed Door (Figure 1b).



## 2. SET THE INTERIOR KNOB POSITION FOR LEFT OR RIGHT HAND HINGED DOORS

- a. The Interior Knob goes in the Vertical position for Right Handed Doors (Figure 2a).
- b. The Interior Knob goes in the Horizontal position for Left Handed Doors (Figure 2b).

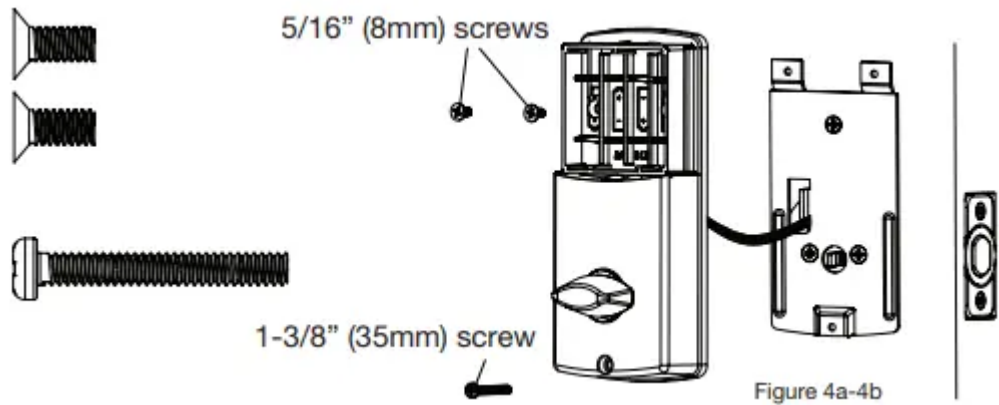


## 3. ATTACH THE CONTROL WIRE TO THE INTERIOR ASSEMBLY

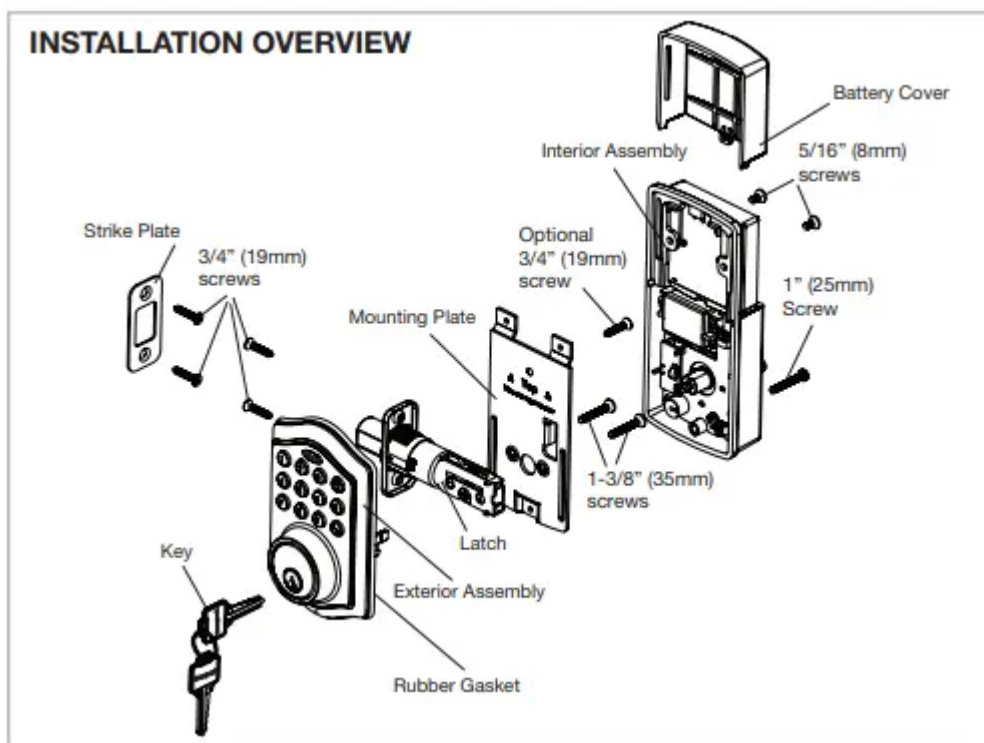
- a. Use care to attach the Control Wire male plug to the Interior Assembly female socket connector.
- b. Do not force the Control Wire male plug into the Interior Assembly female socket connector.
- c. The Control Wire male plug has two alignment tabs on the smooth side of the plug which is the top of the plug.
- d. The Control Wire male plug is inserted with the smooth side up into the Interior Assembly female socket connector.

## 4. ATTACH THE INTERIOR ASSEMBLY TO DOOR

- a. Position the Interior Assembly over the tailpiece and push the Interior Assembly against the door (Figure 4a).
- b. Using two 5/16" (8mm) screws and one 1-3/8" (35mm) screw, attach the Interior Assembly to the Mounting Plate. **DO NOT OVER TIGHTEN SCREWS** (Figure 4b).



NOTE: Lock and unlock using Interior Knob to see if the latch is opening and closing easily.



### 5. Installing Batteries

a. Insert 4 AA high quality Alkaline batteries into the Battery Compartment in the direction noted +/- on the Compartment. The Lock will beep 2 times, the key pad will illuminate blue, and the Honeywell button will flash green twice to signify that it has received power (Figure 5a).

NOTE: Do not touch the keypad until the blue light turns off. Do not use rechargeable batteries or non-alkaline batteries.

b. Slide the Battery Cover down into the track on the Interior Assembly to cover the batteries (Figure 5b).



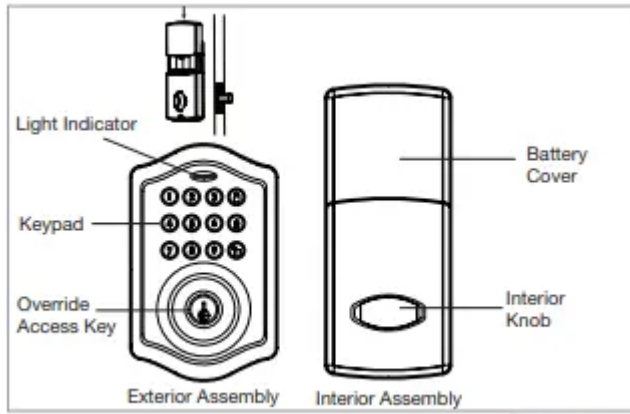


Figure 5a-5b

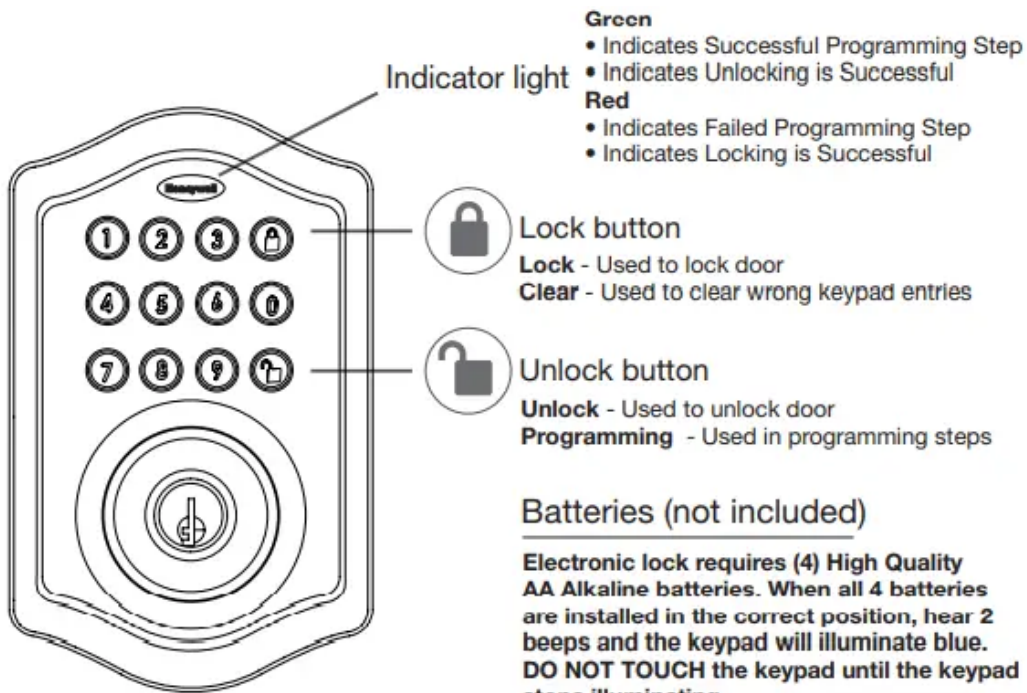
## 6. Testing Lock With the Door Open

a. Test the Lock using the interior Knob. The bolt should move smoothly.

b. Test the lock using the Keypad. To lock press  and then press "1234"  to unlock.

# OPERATION INSTRUCTIONS

## Exterior Assembly Overview



### Programming Symbols

- Lock / Clear
- Unlock / Programming
- Programming Code
- User Code (4-8 digits)
- User ID (01-50, 2 digits)

### Factory Settings

The lock comes factory preset with a:

- Programming code - 123456
- User code - 1234
- User ID - 01



Please change the Programming Code and the User Code as soon as possible after installation to insure security.

## Locking and Unlocking

TO UNLOCK THE LOCK

Using Keypad: Enter a valid User Code (default code is 1234) and press and hear 1 beep and lights green.

TO LOCK THE LOCK

Using Keypad: Press and then hear 2 beeps and lights red.



IMPORTANT: this will delete the user codes but not the programming code, enter the following

PC → 🔒 → 3 → 🔒 → re-enter PC → 🔒

Hear 1 beep and Light Indicator illuminates green

## Automatic Lock Function

### SET OR CANCEL AUTO LOCK

You can set the lock to automatically close after each time the lock is opened. Time value range = 20 - 900 seconds, enter the following:

Set Auto Lock: PC → 🔒 → 5 → 🔒 → Time Value → 🔒

Hear 1 beep and Light Indicator illuminates green

**To cancel Auto Lock set the time to 00, enter the following:**

Cancel Time Value Auto Lock: PC → 🔒 → 5 → 🔒 → 00 → 🔒

Hear 1 beep and Light Indicator illuminates green

## Sound On and Off

You can “mute” or turn the “sound on” on your lock by entering the following. (Factory setting is sound on).

PC → 🔒 → 6 → 🔒 → 1 or 2 → 🔒  
1 = Sound Off  
2 = Sound On




Sound Off (1) - Light Indicator illuminates green

Sound On (2) - Hear 1 beep and Light Indicator illuminates green

## Secure Lock out Period

Warning sounds and LED flashes red after 4 incorrect code attempts: Keypad shuts down for 30 seconds.

## Restore Factory Settings

To reset the lock to the original factory settings including the Programming Code  and all User Codes  remove one battery for 10 seconds. Reinsert the battery and wait for a long and short beep. Press  3 times within 3 seconds. The lock will beep and the light indicator will turn green.

## Low Battery Warning

Beeps and LED flashes red for 5 seconds. Please replace with good quality alkaline batteries.

Note: Removing batteries does not erase active Programming or User Codes.

### **Consumer Friendly Message Guide**

Unlock / Valid programming:

- 1 long beep and LED illuminates green  
Lock:
- 2 short beeps and LED illuminates red  
Invalid Programming:
- 2 short beeps and LED flashes red twice  
Low Voltage:
- Beeps for 5 seconds  
(7/9 times depends on operation is unlock/lock)  
Super Low Voltage:
- 4 short beeps and LED flashes red four times  
4 Incorrect code entry attempts:
- 2 short beeps and LED illuminates red each attempt  
Power on:
- 1 long beep and 1 short beep and LED illuminates green  
Chip Reset:
- 1 long beep and 1 short beep and LED illuminates green  
(may occur several times or once in a while)  
Lock Error:
- 3 long beeps LED flashes red three times  
Repeat operation after Lock Error:
- 2 short beeps three times LED flashes red six times

NOTE: When battery is under low voltage, the lock will give the (Low Battery Warning: Beeps and LED flashes red for 5 seconds). During this time your lock can still work. However once the voltage is lower than 4.3V (called Super-Low Voltage), the operation of the locking and unlocking will not work, user must replace batteries immediately

## **INSTALLATION TROUBLE SHOOTING**

**Latch Working Backwards Lock unlocks when lock button is pushed or locks when unlock button or code is pushed.**

- Direction switch is set to incorrect setting. Remove the Interior Assembly and move the switch to the opposite direction.
  - Check that your switch is set in the correct position Left or Right Handed door.

- If Correct
  - Rotate Turn knob and reinstall Interior Assembly. Retest again while holding Interior Assembly in place.

#### **Interior Assembly knob will not turn.**

- Knob or vertical tailpiece is installed in incorrect position. Remove Interior Assembly and reposition the Interior Knob. With the Deadbolt Latch retracted verify that the tailpiece is vertical.

#### **Lock will not function electronically.**

- Check that all batteries are fresh high quality Alkaline Batteries.
- Check for proper polarity (+ -) of all batteries.
- Check that the Control Wire is attached to the Interior Assembly.

#### **Lock gives error signal when opening or locking and Dead bolt Latch will not extend or retract completely when door is closed.**

- Unlock door using key or interior knob. While door is open, check that the Deadbolt Latch operates smoothly. Check for proper alignment of the strike plate, adjust as needed to assure there is no binding against the Deadbolt Latch.

#### **Deadbolt Latch is sticking**

- Installation screws of the lock may be too tight and have to be loosened.
  - Remove Interior Assembly.
  - Slightly loosen the Mounting Plate screws.
  - Lock and unlock using the Key.
  - Reattach Control Wire and Interior Assembly.

#### **Warning**

This content is compiled from multiple sources and is provided for reference purposes only. It may not be complete or fully applicable to all situations. If you are unable to resolve your issue, please contact the product manufacturer or an authorized service provider for official support.