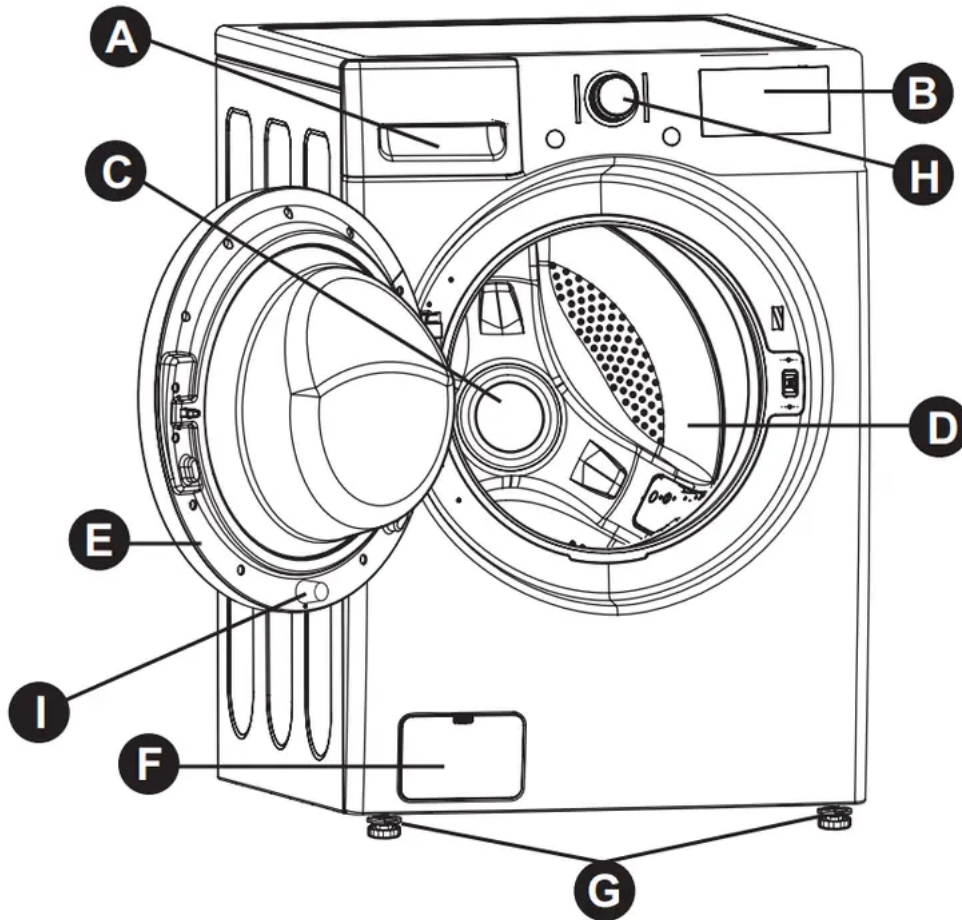


FEATURES AND BENEFITS

Key Parts and Components



A DETERGENT DISPENSER

There are four compartments. One each for prewash, main wash, liquid bleach, and liquid fabric softener.

B CONTROL PANEL WITH LED DISPLAY

The easy-to-read LED display shows cycle options, settings, cycle status, and estimated time remaining during operation.

NOTE: Sensors in the washer automatically detect the size of the wash load to optimize washing time, based on the selected cycle and options.

C DIRECT-DRIVE MOTOR

The direct-drive motor provides improved performance and reliability while increasing energy efficiency. (Motor is not visible.)

D LARGE-CAPACITY STAINLESS STEEL DRUM

The ultra-large stainless steel drum offers extreme durability and is tilted to improve efficiency and allow easier access for large items.

E EASY-ACCESS LOCKING DOOR

The extra-large door locks during operation. The door will not open until it is safe to do so.

F FILTER ACCESS PANEL

Provides easy access to the drain pump filter, which allows you to clean the filter or retrieve lost items without a service call.

G LEVELING FEET

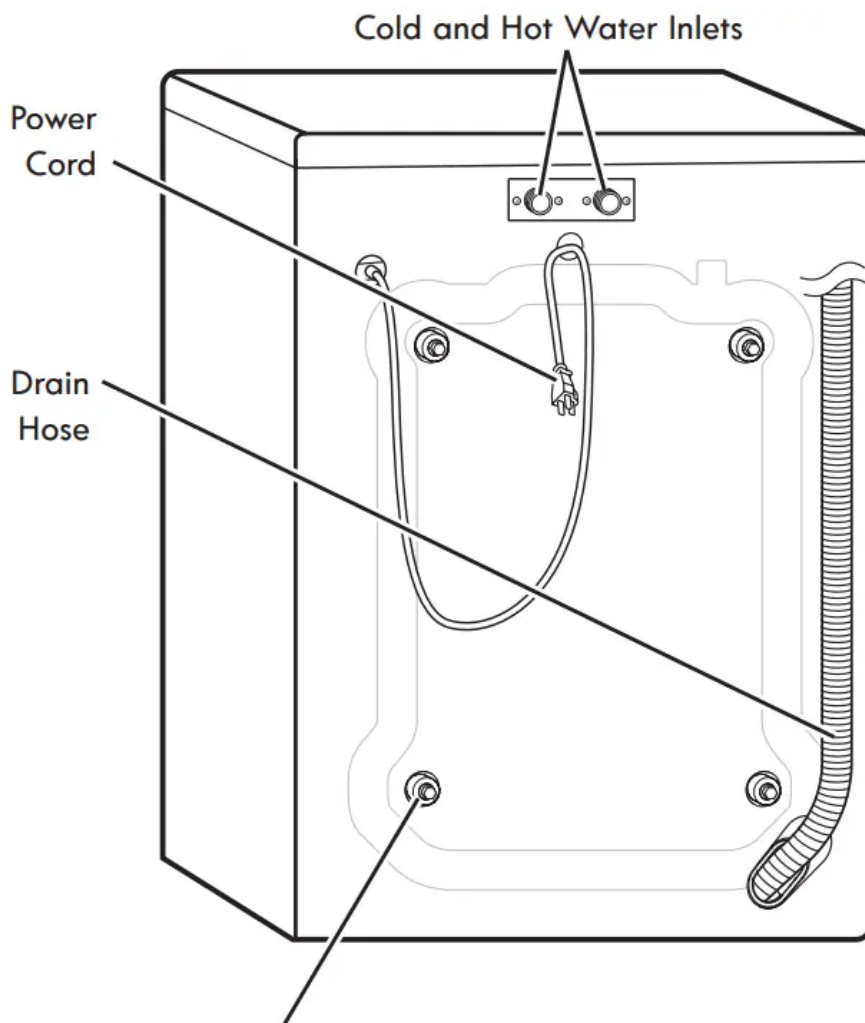
Four leveling feet (two in the front and two in the back) adjust to improve washer stability on uneven floors. Feet are adjusted and locked in place using the adjusting wrench included with the washer.

H HIGH-EFFICIENCY STEAM CYCLES

During high-efficiency steam cycles, hot steam interacts with fabrics to help remove tough stains.

I DOOR MAGNET

Safely and conveniently keeps the door ajar. There are two door closed positions, fully closed and slightly ajar. In the latter position, the door is only closed to the door magnet to keep the door slightly open when the washer is not in use. This will promote air circulation and allow the interior of the machine to dry. To use this feature, close the door just until it contacts the door magnet.



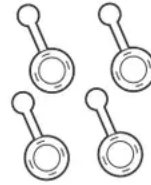
Shipping Bolts/Retainers (4)
NOTE: Bolts/Retainers MUST be removed prior to operation. Keep for future use.

Included Accessories





Non-skid pads



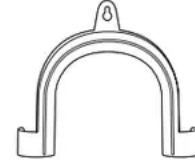
Caps (4)
(for covering shipping bolt holes)



Wrench (for removing shipping bolts and adjusting and locking leveling feet)



Tie Strap
(for securing drain hose)



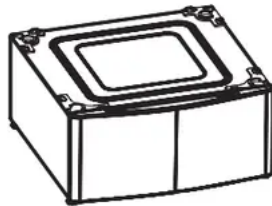
Elbow Bracket
(for securing drain hose)

Optional Accessories

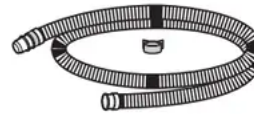
Hot and Cold Water Hoses
26-59027



Pedestal
26-51122



Drain Hose Extension
26-59028



Stacking kit (For dryer)
26-17013



Available for purchase through sears.com or 844-553-6667

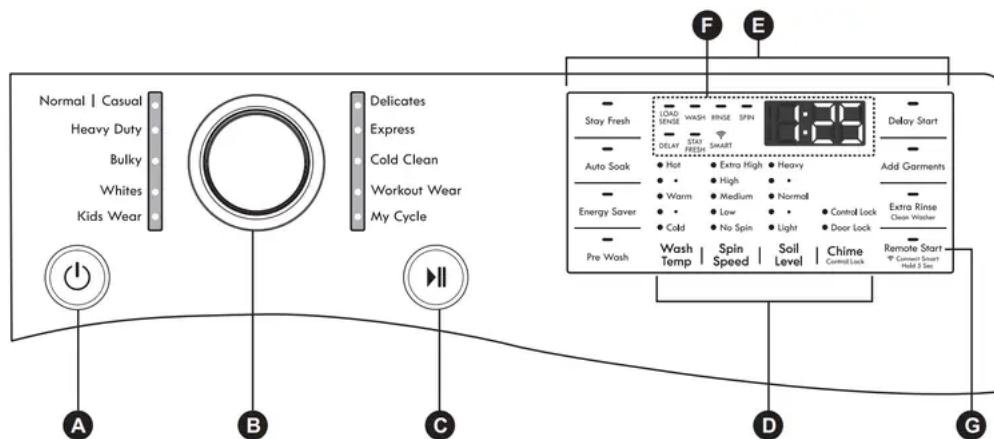
KEY DIMENSIONS AND SPECIFICATIONS



Description	Front-Loading Washer
Electrical Requirements	120 VAC, 60 Hz
Max. Water Pressure	20 - 120 psi (138 - 827 kPa)
Dimensions	27"(W) X 30 1/2"(D) X 39"(H), 55" (D with door open) 70 cm(W) X 77 cm(D) X 99 cm(H), 139.6 cm (D with door open)
Net Weight	1874 lbs (85 kg)
Max. Spin Speed	1,300 RPM

HOW TO USE

Control Panel Features (Model 4136*)



A POWER (ON/OFF) BUTTON

Press to turn the washer ON or OFF.

NOTE: Pressing the POWER button during a cycle will cancel that cycle and any load settings will be lost. The door will unlock after a brief pause, unless the water level or temperature is too high.

B CYCLE SELECTOR KNOB

Turn this knob to select the desired cycle. Once the desired cycle has been selected, the standard presets will appear in the display. These settings can be adjusted using the cycle setting buttons any time before starting the cycle.

C START/PAUSE BUTTON

Press this button to start the selected cycle.

If the washer is running, use this button to pause the cycle without losing the current settings.

NOTE: If you do not press the START/PAUSE button within sixty minutes of selecting a cycle, the washer automatically turns OFF.

D CYCLE MODIFIER BUTTONS

Use these buttons to adjust the settings for the selected cycle. The settings light up above the buttons to show the current selection.

E SPECIAL CYCLE AND OPTION BUTTONS

These buttons are used to activate special cycles or options.

F TIME AND STATUS DISPLAY

The display shows the cycle status, door lock status and estimated time remaining.

G SMART FEATURES

The Remote Start feature allows you to control your washer remotely with a smart phone. See page 36 in this guide and the booklet shipped with your washer for more information.

NOTE: To protect your clothing, not all settings are available on all cycle selections.

Operating the Washer (Model 4136*)

1 SORT LAUNDRY AND LOAD WASHER

Sort laundry by fabric type, soil level, color and load size, as needed. Open the door and load the items into the washer.

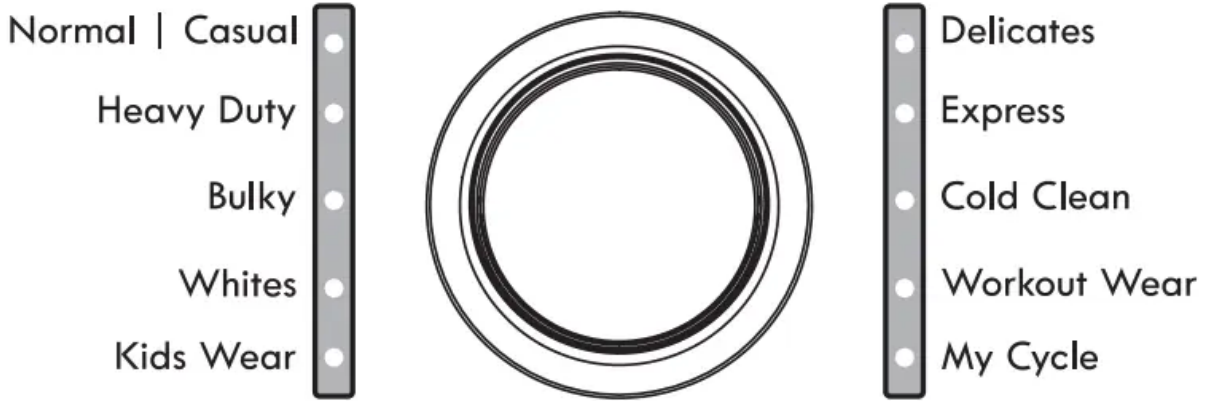
2 TURN ON THE WASHER

Press the POWER button to turn ON the washer. The lights above the cycle buttons will illuminate and a chime will sound.



3 SELECT A CYCLE

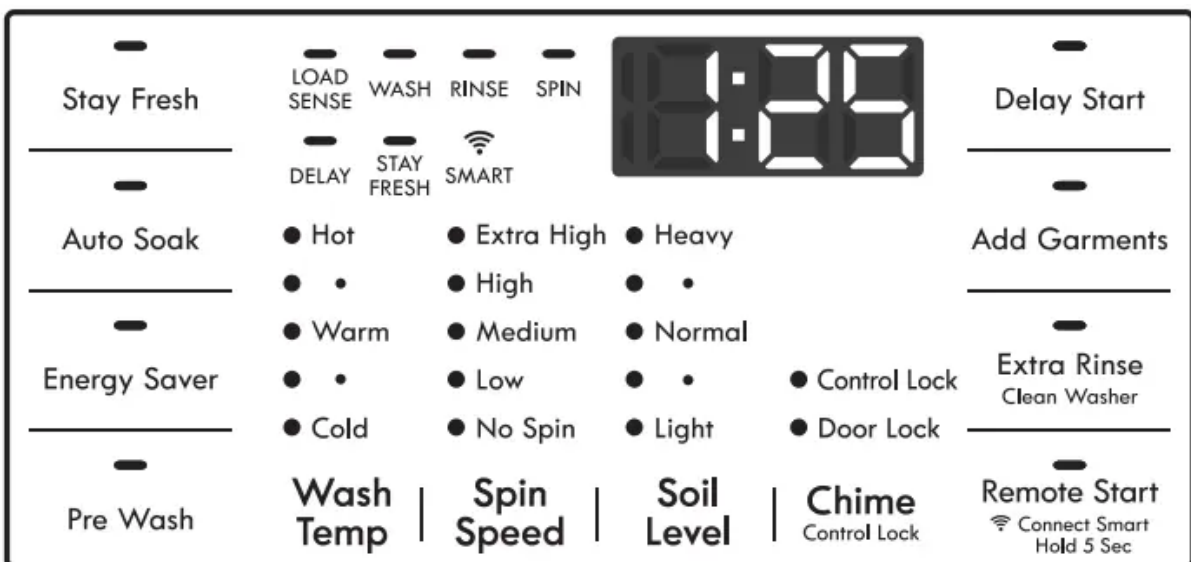
Turn the cycle selector knob in either direction to select the desired cycle. The preset Wash Temperature, Spin Speed, Soil Level, and Option settings for that cycle will be shown.



4 SELECT CYCLE MODIFIERS

Default settings for the selected cycle can now be changed if desired. Use the cycle modifier buttons.

NOTE: To protect your fabrics, not all modifiers are available on all cycles. A different chime will sound and the LED will not come on if the selection is not allowed. Cycle options can also be added by using the option buttons.



5 SELECT CYCLE OPTIONS

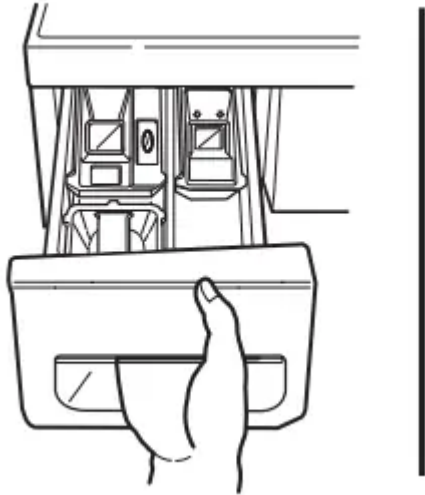
Cycle options can be added using the option buttons.

NOTE: Not all options are available on all cycles. A different chime will sound and the LED will not come on if the selection is not allowed.

6 ADD DETERGENT

Add High-Efficiency (HE) detergent to the detergent dispenser drawer. For proper wash performance, always measure the detergent using the measuring device provided by the detergent manufacturer.





7 BEGIN CYCLE

Press the START/PAUSE button to begin the cycle. The door will lock, and the washer will briefly tumble the load without water to measure its weight. Pressing the START/PAUSE button will pause the cycle and the door will unlock. Press the START/PAUSE button again to resume the wash cycle



8 END CYCLE

After the cycle is finished, remove clothes promptly and leave the washer door ajar using the door magnet.

Cycle Guide (Model 4136*)

The cycle guide below shows the default settings, available options and recommended fabric types for each cycle. Allowable modifier adjustments are shown below the default setting for each cycle.

- = Default option
- = Available option for selected cycle
- = Option not available for selected cycle

Cycle	Fabric or Load Type	Load Sensing	Wash Option	Wash Temp.	Spin Speed	Soil Level	Stay Fresh	Auto Soak	Energy Saver	Pre Wash	Extra Rinse
Normal/Casual	Cotton, linen, towels, shirts, sheets, jeans, mixed loads	Yes	Yes	<input type="radio"/> Hot <input checked="" type="radio"/> High <input type="radio"/> Warm <input type="radio"/> Cold	<input type="radio"/> Extra High <input checked="" type="radio"/> High <input type="radio"/> Medium <input type="radio"/> Low <input type="radio"/> No Spin	<input type="radio"/> Heavy <input type="radio"/> Normal <input checked="" type="radio"/> Light	<input type="checkbox"/>	<input type="checkbox"/>	<input type="checkbox"/>	<input type="checkbox"/>	<input type="checkbox"/>
Heavy Duty	Heavily soiled cotton fabrics.	Yes	Yes	<input type="radio"/> Hot <input checked="" type="radio"/> High <input type="radio"/> Warm <input type="radio"/> Cold	<input checked="" type="radio"/> Extra High <input type="radio"/> High <input type="radio"/> Medium <input type="radio"/> Low <input type="radio"/> No Spin	<input checked="" type="radio"/> Heavy <input type="radio"/> Normal <input type="radio"/> Light	<input type="checkbox"/>	<input type="checkbox"/>	<input type="checkbox"/>	<input type="checkbox"/>	<input type="checkbox"/>
Bulky	Large items such as blankets and comforters.	No	Yes	<input type="radio"/> Hot <input checked="" type="radio"/> High <input type="radio"/> Warm <input type="radio"/> Cold	<input type="radio"/> Extra High <input type="radio"/> High <input checked="" type="radio"/> Medium <input type="radio"/> Low <input type="radio"/> No Spin	<input type="radio"/> Heavy <input type="radio"/> Normal <input type="radio"/> Light	<input type="checkbox"/>	<input type="checkbox"/>	<input type="checkbox"/>	<input type="checkbox"/>	<input type="checkbox"/>
Whites	Heavily to normally soiled white cottons.	Yes	Yes	<input checked="" type="radio"/> Hot <input type="radio"/> High <input type="radio"/> Warm <input type="radio"/> Cold	<input type="radio"/> Extra High <input checked="" type="radio"/> High <input type="radio"/> Medium <input type="radio"/> Low <input type="radio"/> No Spin	<input type="radio"/> Heavy <input type="radio"/> Normal <input type="radio"/> Light	<input type="checkbox"/>	<input type="checkbox"/>	<input type="checkbox"/>	<input type="checkbox"/>	<input type="checkbox"/>
Kids Wear	Specially designed to clean and thoroughly rinse kids wear.	Yes	Yes	<input checked="" type="radio"/> Hot <input type="radio"/> High <input type="radio"/> Warm <input type="radio"/> Cold	<input type="radio"/> Extra High <input checked="" type="radio"/> High <input type="radio"/> Medium <input type="radio"/> Low <input type="radio"/> No Spin	<input checked="" type="radio"/> Heavy <input type="radio"/> Normal <input type="radio"/> Light	<input type="checkbox"/>	<input type="checkbox"/>	<input type="checkbox"/>	<input type="checkbox"/>	<input type="checkbox"/>

The cycle guide below shows the default settings, available options and recommended fabric types for each cycle. Allowable modifier adjustments are shown below the default setting for each cycle.

- = Default option
- = Available option for selected cycle
- = Option not available for selected cycle

Cycle	Fabric or Load Type	Load Sensing	Wash Option	Wash Temp.	Spin Speed	Soil Level	Stay Fresh	Auto Soak	Energy Saver	Pre Wash	Extra Rinse
Delicates	Dress shirts, blouses, nylons, sheer or lacy garments.	No	Yes	<input type="radio"/> Hot <input type="radio"/> High <input type="radio"/> Warm <input checked="" type="radio"/> Low <input type="radio"/> Cold	<input type="radio"/> Extra High <input type="radio"/> High <input checked="" type="radio"/> Medium <input type="radio"/> Low <input type="radio"/> No Spin	<input type="radio"/> Heavy <input type="radio"/> Normal <input checked="" type="radio"/> Light	<input type="checkbox"/>	<input type="checkbox"/>	<input type="checkbox"/>	<input type="checkbox"/>	<input type="checkbox"/>
Express	Lightly soiled clothing and small loads.	No	Yes	<input checked="" type="radio"/> Hot <input type="radio"/> High <input type="radio"/> Warm <input type="radio"/> Cold	<input checked="" type="radio"/> Extra High <input type="radio"/> High <input type="radio"/> Medium <input type="radio"/> Low <input type="radio"/> No Spin	<input type="radio"/> Heavy <input type="radio"/> Normal <input checked="" type="radio"/> Light	<input type="checkbox"/>	<input type="checkbox"/>	<input type="checkbox"/>	<input type="checkbox"/>	<input type="checkbox"/>
Cold Clean	Small loads of cotton, linen, towels, shirts, sheets, jeans, mixed loads.	Yes	Yes	<input type="radio"/> Hot <input type="radio"/> High <input type="radio"/> Warm <input checked="" type="radio"/> Low <input type="radio"/> Cold	<input type="radio"/> Extra High <input checked="" type="radio"/> High <input type="radio"/> Medium <input type="radio"/> Low <input type="radio"/> No Spin	<input type="radio"/> Heavy <input type="radio"/> Normal <input type="radio"/> Light	<input type="checkbox"/>	<input type="checkbox"/>	<input type="checkbox"/>	<input type="checkbox"/>	<input type="checkbox"/>
Workout Wear	Permanent press, synthetic items.	No	Yes	<input type="radio"/> Hot <input checked="" type="radio"/> High <input type="radio"/> Warm <input type="radio"/> Cold	<input type="radio"/> Extra High <input type="radio"/> High <input checked="" type="radio"/> Medium <input type="radio"/> Low <input type="radio"/> No Spin	<input type="radio"/> Heavy <input type="radio"/> Normal <input type="radio"/> Light	<input type="checkbox"/>	<input type="checkbox"/>	<input type="checkbox"/>	<input type="checkbox"/>	<input type="checkbox"/>
My Cycle (Default: Small Load)	For downloadable cycles.	Yes	Yes	<input type="radio"/> Hot <input checked="" type="radio"/> High <input type="radio"/> Warm <input type="radio"/> Cold	<input type="radio"/> Extra High <input checked="" type="radio"/> High <input type="radio"/> Medium <input type="radio"/> Low <input type="radio"/> No Spin	<input type="radio"/> Heavy <input type="radio"/> Normal <input type="radio"/> Light	<input type="checkbox"/>	<input type="checkbox"/>	<input type="checkbox"/>	<input type="checkbox"/>	<input type="checkbox"/>



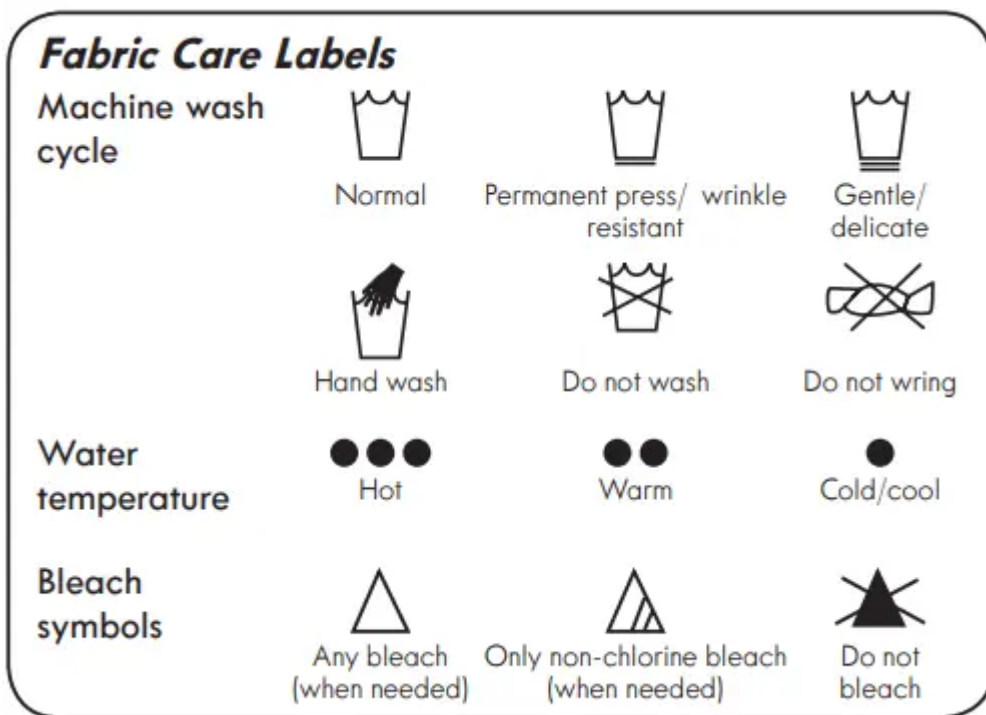
NOTE:

- To protect your garments, not every wash temperature, spin speed, soil level, or option is available with every cycle. A chime will sound and the LED will not light if the selection is not allowed.
- The washer automatically adjusts the wash time for the amount of laundry, water pressure, water heating time and other operating conditions.
- These cycles use various wash motions to enhance cleaning and/or fabric care performance. The wash motions may sound different at different stages of the wash cycle. This is normal.

SORTING WASH LOADS

Fabric Care Labels

Many articles of clothing include a fabric care label. Using the chart below, adjust the cycle and option selections to care for your clothing according to the manufacturer’s recommendations.



Grouping Similar Items

For the best washing results, and to reduce the possibility of damage to clothing, care should be taken to sort the clothing into loads that are made up of similar items. Mixing different fabric types and/or soil levels can result in poor wash performance, color transfer or discoloration, fabric damage or linting. Fabrics should be sorted into groups as described below.

Colors



Sort articles by color. Wash dark clothes together in a separate load from light colors or whites. Mixing dark clothes with light clothes can result in dye transfer or discoloration of the lighter clothes.

Soil Level

Wash heavily soiled clothing together. Washing lightly soiled clothing in the same load with heavily soiled clothing could result in poor wash performance for the lightly soiled clothing.

Fabric Type

Delicate articles should not be mixed with heavier or sturdier fabric types. Washing delicates in a load with heavy fabrics can result in damage to the more delicate fabrics. Washing heavier fabrics in a delicate load can result in poor wash performance for the heavier fabrics and possible damage to the delicates.

Lint Type

Some fabrics attract and bind lint to them while others give off lint in the laundry process. Avoid mixing these lint collectors and lint producers in the same load. Mixing these fabrics will result in pilling and linting on the lint collectors. (For example, lint collector – knit sweater; lint producer – terrycloth towels.)

Loading the Washer

- Check all pockets to make sure that they are empty. Items such as clips, matches, pens, coins, and keys can damage both your washer and your clothes.
- Close zippers, hooks, and drawstrings to prevent these items from snagging or tangling on other clothes.
- Pretreat heavily stained areas for best results.
- Combine large and small items in a load. Load large items first.
- Large items should not be more than half of the total wash load.
- The washer can be fully loaded, but the tub should not be tightly packed with items. The lid of the washer should close easily.
- To prevent an out-of-balance load, do not wash single items. Add one or two similar items to the load. Large, bulky items, such as a blanket, comforter, or bedspread, should be washed individually.
- Waterproof items do wash or spin Waterproof cycle. (i.e. Water resistant clothing, mattress covers, outdoor clothes, plastic mats etc.)
- The washer will not fill or operate with the lid open.

NOTE: Use the Bedding cycle for large or bulky items such as poly-filled jackets, comforters, pillows, etc. These items may not be as absorbent as other laundry items and should be sorted into a separate wash load for optimal results.

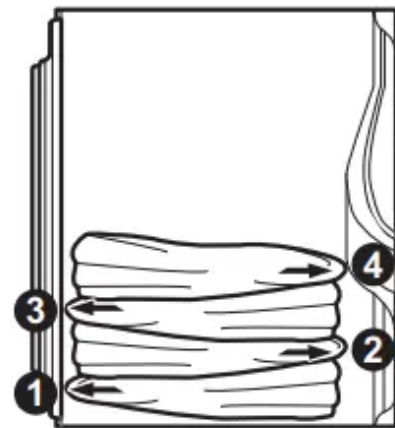
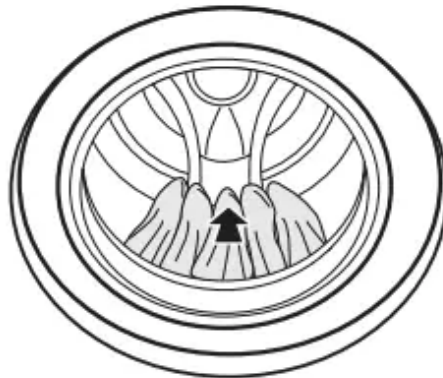


- **DO NOT OVERLOAD THE DRUM**
- **MAKE SURE CLOTHING IS NOT CAUGHT IN THE DOOR GASKET**

Sort Laundry...

by Colors	by Soil	by Fabric	by Lint
Whites	Heavy	Delicates	Lint Producer
Lights	Normal	Easy Care	Lint Collector
Darks	Light	Sturdy	

- For best performance, load clothes as shown.



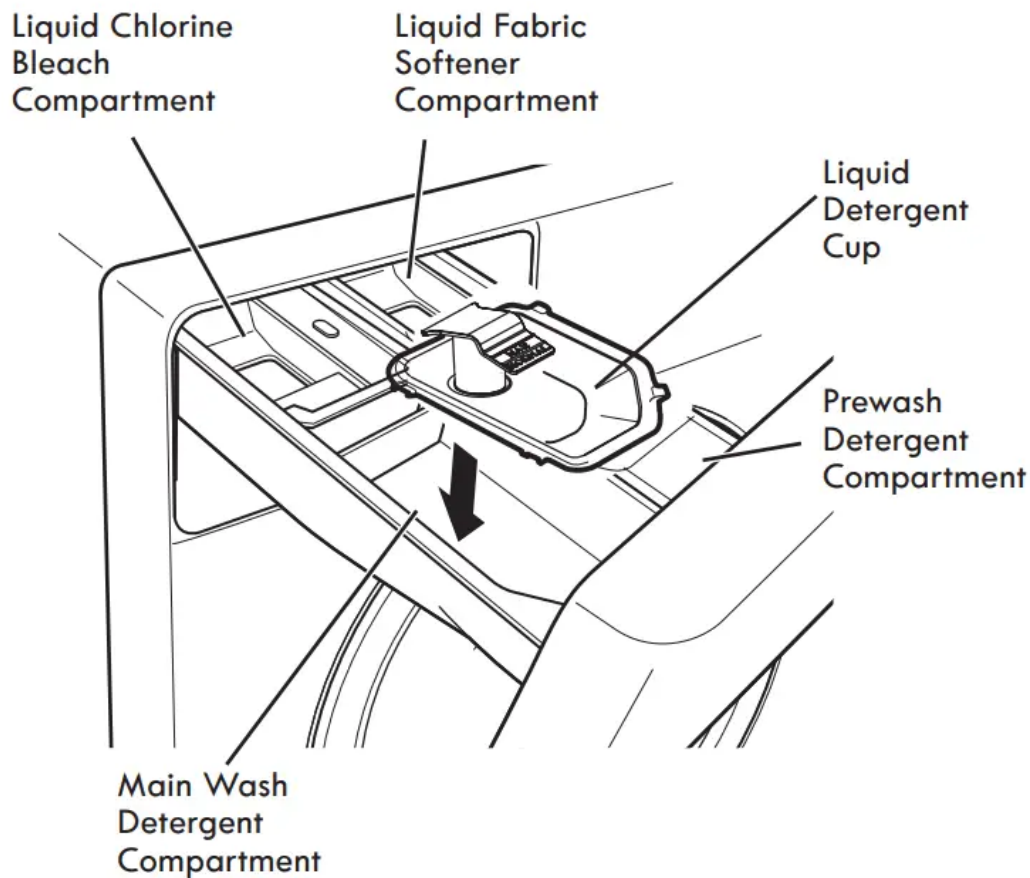
- Load clothes loosely, and do not overfill the drum. Clothes need room to circulate in order to get clean.
- Do not press down on items while stacking them in the drum.

About the Dispenser Drawer

The automatic dispenser consists of two compartments which hold:

- Liquid chlorine bleach.
- Liquid fabric softener.
- Liquid or powdered detergent for prewash.

- Liquid or powdered detergent and color-safe bleach for main wash.



Pre-Wash Detergent Compartment

Add liquid or powdered detergent to this compartment when using the Pre-Wash option. Always use High Efficiency (HE) detergent with your washing machine. The amount of detergent added for the Pre-Wash option should be $\frac{1}{2}$ the amount recommended for the main wash cycle. For example, if the main wash cycle requires $\frac{1}{2}$ measure of detergent, add $\frac{1}{4}$ measure to the Pre-Wash compartment.

NOTE: If using liquid detergent for the main wash when using the Pre-Wash option, the liquid detergent cup accessory must be used in the main wash dispenser. This will prevent the main wash liquid detergent from being dispensed immediately.

Main Wash Detergent Compartment

This compartment holds laundry detergent for the main wash cycle. The detergent is added to the load at the beginning of the cycle. Always use High-Efficiency (HE) detergent with your washing machine. Either powdered or liquid detergent may be used.

Never exceed the manufacturer's recommendations when adding detergent. Using too much detergent can result in detergent buildup in clothing and the washer. When using liquid detergent, make sure the liquid detergent cup and insert are in place. Do not exceed the maximum fill line.

Fabric Softener Compartment

This compartment holds liquid fabric softener, which is automatically dispensed during the final rinse cycle. Never exceed the manufacturer's recommendations when adding softener. Using too much fabric softener can result in buildup in clothing and the washer.

- Always follow the manufacturer's recommendations when adding fabric softener. Do not exceed the maximum fill line. Using too much fabric softener may stain clothes.
- Dilute concentrated fabric softeners with warm water. Do not exceed the maximum fill line.
- Never pour fabric softener directly onto the load or into the tub.

Liquid Bleach Compartment

The bleach dispenser is a separate compartment at the left front of the tub opening. This compartment holds liquid bleach, which is dispensed automatically at the proper time during the wash cycle. Any liquid remaining in the dispenser at the end of the cycle is water, not bleach.

- Do not add powdered bleach to this compartment. The bleach compartment is designed to dispense liquid bleach only. Powdered or liquid color-safe bleach will not dispense properly.
- Always follow the manufacturer's recommendations when adding bleach. Never add more than one cup and do not exceed the maximum fill line since this can cause the bleach to be dispensed immediately, resulting in damage to fabrics. Using too much bleach can damage fabrics.
- Never pour undiluted liquid chlorine bleach directly onto the load or into the tub. Fabric damage can occur.

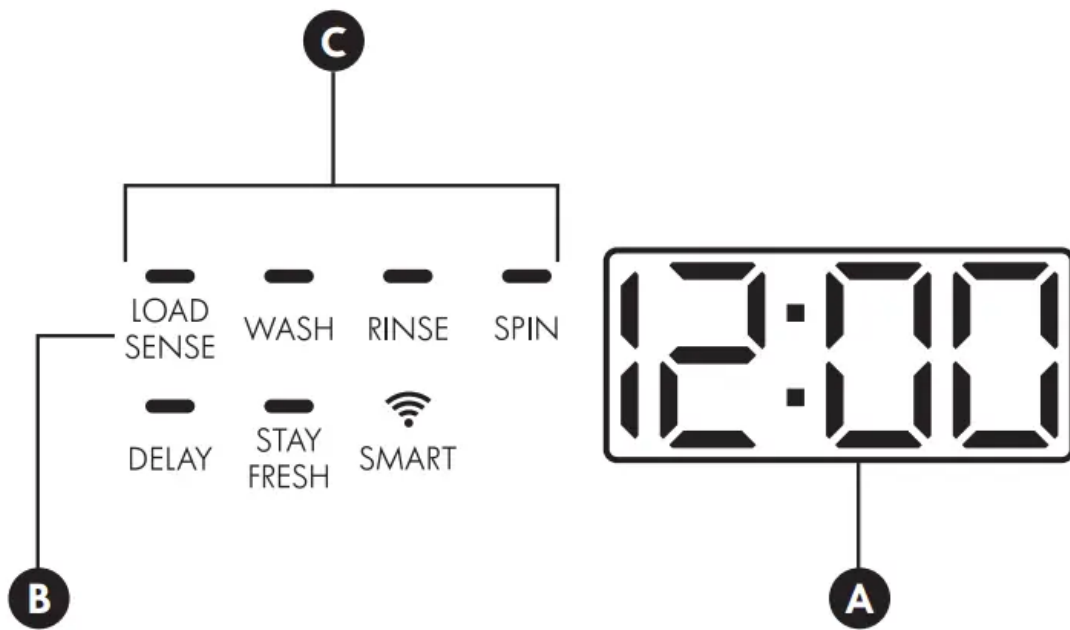
Fabric Softener Compartment

This compartment holds liquid fabric softener, which is automatically dispensed during the final rinse cycle.

Never exceed the manufacturer's recommendations when adding softener. Using too much fabric softener can result in buildup in clothing and the washer. Either powdered or liquid fabric softener may be used.

- Always follow the manufacturer's recommendations when adding fabric softener. Do not exceed the maximum fill line. Using too much fabric softener may stain clothes.
- Dilute concentrated fabric softeners with warm water. Do not exceed the maximum fill line.
- Never pour fabric softener directly onto the load or into the drum.

TIME AND STATUS DISPLAY



A ESTIMATED TIME REMAINING

When the START/PAUSE button is pressed, the washer will automatically detect the load size for cycles that use load sensing. The control will then optimize the wash and rinse times, based on the selected cycle, modifiers and options. When the load size has been determined, the display will change from dashes (- - -) to the estimated time for that cycle. For non-load sensing cycles, the estimated time will display when the cycle is selected.

NOTE:

- The time shown is only an estimate. For example, the time displayed may pause for a period of time while the machine is heating the water or balancing the load. Under certain conditions, the machine can pause for extended periods of time.
- Estimated time is based on normal operating conditions. Several external factors (load size, room temperature, incoming water temperature, etc.) also affect the length of estimated time vs. actual time.

B LOAD-SENSING INDICATOR

At the beginning of cycles that use the load sensing feature, the LOAD SENSING light will blink while the load size is being measured. Once the size has been determined, the control adjusts the cycle for optimum performance. Estimated time remaining will not display until the load size has been determined, and may be different for each load.

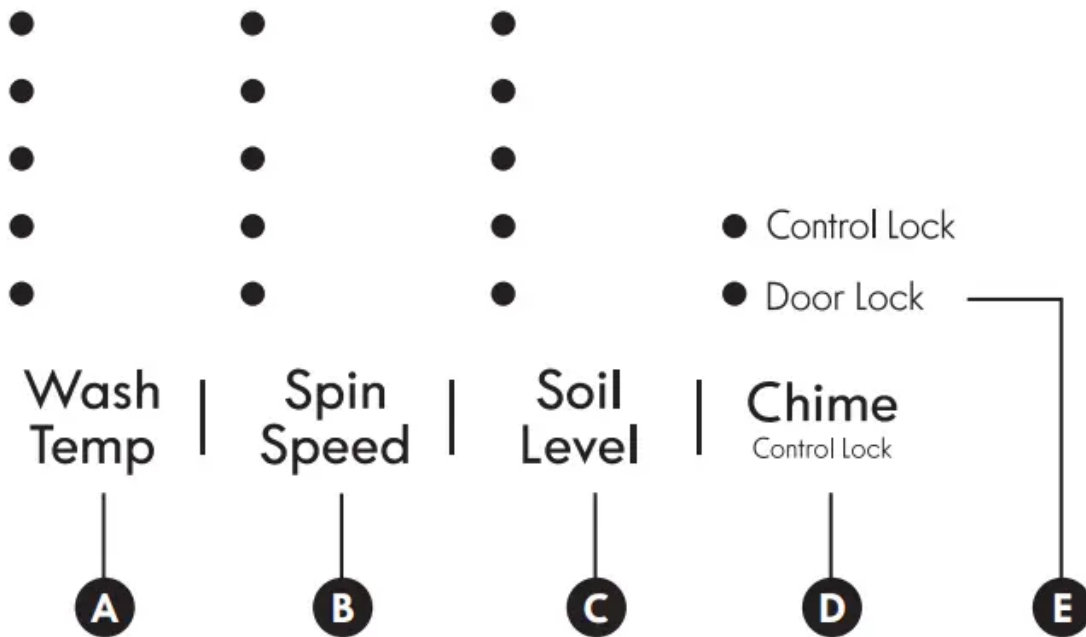
C CYCLE STATUS INDICATOR

These status LEDs illuminate to indicate which stage of the cycle is currently running. A blinking light indicates the active stage of the cycle. When that stage is complete, the light will remain steady.

CYCLE MODIFIER BUTTONS

Each cycle has default settings that are selected automatically. You may also customize these settings using the cycle modifier buttons. Press the button for the desired modifier until the indicator light for the desired value is lit. The washer automatically adjusts the water level for the type and size of wash load for best results and maximum efficiency. Due to the high-efficiency nature of this product, water levels may be much lower than expected. This is normal operation and cleaning/ rinsing performance will not be compromised.

NOTE: To protect your garments, not every wash/rinse temperature, spin speed, soil level, or option is available with every cycle. A chime will sound and the LED will not light if a selection is not allowed.



A WASH TEMP

WASH TEMP selects the wash and rinse temperature combination for the selected cycle. Press the WASH TEMP button until the indicator light for the desired setting is lit.

- Select the wash temperature suitable for the type of load you are washing. Follow the garment fabric care labels for best results.
- Cold rinses use less energy. The actual cold rinse temperature depends on the temperature of the cold water at the faucet.

B SPIN SPEED

Higher spin speeds extract more water from clothes, reducing drying time and saving energy.

Press the SPIN SPEED button until the desired speed is selected. Some fabrics, such as delicates, require a slower spin speed. To protect your clothing, not all spin speeds are available for all cycles.

The Drain & Spin cycle:

1. Press the POWER button to turn ON the washer.
2. Press the SPIN SPEED button to select the desired spin speed. For drain only, select the NO SPIN option.
3. Press the START/PAUSE button. The water will drain and the clothes will tumble before the spin routine begins.

C SOIL LEVEL

Adjusting the soil level setting will modify the cycle times and/or wash actions. Press the SOILLEVEL button until the desired soil level is selected.

D CHIME

Press repeatedly to adjust the volume of the chime and keypad tones. You may turn the end-of-cycle chime and keypad tones ON or OFF with the CHIME button.

E DOOR LOCK INDICATOR

Indicates that the door is locked. The washer door will lock while the washer is operating. The door can be unlocked by pressing START/PAUSE to pause the washer.

NOTE:

- If the temperature in the washer is too high, the door cannot be unlocked until the washer has cooled.
- If the water level is too high, the door will not unlock. To drain the water, press POWER, then press the SPIN SPEED button without selecting a cycle. Press START/PAUSE and the water will drain and the clothes will spin out. Do not try to force the door open, as this will damage the door.

OPTION

Your washing machine features several additional cycle options that customize cycles to meet your individual needs.

1. Turn ON the washer and turn the cycle selector knob to select the desired cycle.
2. Use the cycle modifier buttons to adjust the settings for that cycle.
3. Press the cycle option button(s) for the option(s) you would like to add. The button will light when that option is selected. For secondary functions, press and hold the button for three seconds. The LED will blink when the secondary option is selected. Both options cannot be selected together.

4. If the selected option is not allowed for the selected cycle, the chime will sound twice to alert you and the LED will not illuminate.
5. Press the START/PAUSE button to start the cycle. After a brief delay, the door will lock and the cycle will begin.

NOTE: To protect your garments, not every option is available with every cycle.

NOTE: If the START/PAUSE button is not pressed within 60 minutes, the control will shut off and the settings will be lost.


Pre Wash **PRE WASH**

Select this option to add a 15-minute prewash, rinse and spin cycle to the chosen cycle. This is especially useful for heavily soiled items.


Extra Rinse
Clean Washer **EXTRA RINSE**

This option will add an extra rinse to the selected cycle. Use this option to help ensure the removal of detergent or bleach residue from fabrics. Liquid fabric softener, if used, is always dispensed in the final rinse.


Stay Fresh **STAY FRESH**

This feature helps keep wrinkles from setting in clothes and helps keep them fresh if they are not removed from the washer as soon as the cycle is complete. Press and hold the CLEAN WASHER button for three seconds to tumble the clothes intermittently and circulate fresh air through the drum for up to nineteen hours. Press the POWER button or the START/PAUSE button to remove clothes at any time.

Special Functions (Model 4136*)


Add Garments **ADD GARMENTS**

Use this function to add garments or remove foreign objects like coins or keys after the cycle has started.

1. Press ADD GARMENTS. The cycle pauses and the door unlocks.
2. Open the door, add garments or remove foreign objects, and close the door.

3. Press START/PAUSE to restart the cycle. The cycle continues automatically.

NOTE:

- After checking the water level/temperature conditions for safety, the door unlocks once the wash movement has stopped. (Door Lock LED turns off.)
- This may take several seconds depending on the water level. When a lot of water is in the tub, the door unlocks after water drains to a safe level.
- If the temperature in the tub is higher than 113°F (45°C), a short warning chime sounds and ADD GARMENTS is NOT allowed for safety.
- ADD GARMENTS is disabled during the CLEANWASHER cycle for safety.
- To preserve wash performance, wash time may be extended depending on when garments are added to a cycle.

—
Extra Rinse
Clean Washer

CLEAN WASHER

Detergent residue can build up in the wash drum over time and can lead to a mildewy or musty smell. The CLEAN WASHER cycle is specially designed to remove this buildup using bleach or another cleaner designed specifically for cleaning front load washers. Run the CLEAN WASHER cycle once a month, or more often under heavy use conditions or if odor is present.

See complete instructions in the CARE AND CLEANING section.

1. Turn ON the washer and press the CLEAN WASHER button. Selecting any other cycle after CLEAN WASHER has been selected will cause the CLEAN WASHER cycle to be cancelled.
2. Fill the bleach dispenser to the MAX line with liquid chlorine bleach. Do not overfill the bleach dispenser. Overfilling will cause the bleach to dispense immediately. NOTE: For other drum cleaning products, follow the cleaner manufacturer's instructions and recommendations. For powdered cleaning products, add the cleaner to the main wash compartment of the dispenser drawer. Place tablet cleaners directly into the drum.
3. Press the START/PAUSE button to start the cycle.
4. After the cycle has ended, secure the door slightly ajar with the door magnet. This will promote air circulation and allow the interior of the machine to dry. To use this feature, close the door just until it contacts the door magnet.

—
Auto Soak

AUTO SOAK

Use the AUTO SOAK option to presoak garments to help remove difficult spots or stains on fabric. This option provides a 30-minute presoak prior to the start of the selected cycle. At the end of the presoak time, the selected cycle will use the same water.

To use the AUTO SOAK feature, press and hold the Accela Wash button for three seconds.

 **Energy Saver** **ENERGY SAVER**

This option saves energy by using cooler water while increasing the wash and rinse times to maintain wash performance. This feature is only available with the NORMAL/CASUAL and HEAVY DUTY cycles as listed below.


To use the Energy Saver option, press the ENERGY SAVER button.

- NORMAL – Hot becomes Warm
- NORMAL – Warm becomes Cold
- HEAVY DUTY – Hot becomes Warm

 **Chime**
Control Lock **CONTROL LOCK**

Use this option to disable the controls. The washer can only be locked during a cycle. This feature can prevent children from changing cycles or operating the machine. Once set, the controls remain locked and Control Lock must be turned OFF before the controls can be used again. Once the washer has shut off, the power button will allow the machine to be turned ON, but the controls will still be locked. When the controls are locked, “CL” will display alternately with the estimated time remaining.

Press and hold the EXTRA RINSE button for three seconds to activate or deactivate the controls.

 **Delay Start** **DELAY START**

Once you have selected the cycle and other settings, press this button to delay the start of the wash cycle. Each press of the button increases the delay time by one hour, for up to 19 hours. Once the desired delay time is set, press the START/PAUSE button to start the delay time.

Smart Features

SMART FEATURES GETTING CONNECTED

You need the following devices and applications to use the smart features of your appliance.

Required Devices: A wireless connection and a mobile device.

Required Application: Kenmore Smart app.

IMPORTANT: You must download the Kenmore Smart app to your mobile device, connect your Kenmore Smart appliance to the internet, and register the appliance to your account by following the prompts.



REMOTE START

Use a smart phone to control your appliance remotely.

NOTE: You must first close the door and connect to the internet to use this function. The SMART icon LED should be illuminated.

Using Remote Start

1. Select a cycle and options.
2. Press REMOTE START. The Remote Start LED will turn on.
3. Start the washer from the application on your smart phone. (For more information, see the Quick Start Guide shipped with your washer.) If you do not start the washer remotely, the washer will wait to start the cycle until the START/PAUSE button is pressed.

CARE AND CLEANING

REGULAR CLEANING

Cleaning the Exterior

Proper care of your washer can extend its life. The outside of the machine can be cleaned with warm water and a mild, nonabrasive household detergent.

Immediately wipe off any spills with a soft, damp cloth.

IMPORTANT: Do not use solvents, cleaning alcohols, or similar products. Never use steel wool or abrasive cleaners because they can damage the surface.

Care and Cleaning of the Interior

Care and Cleaning of the Interior Use a towel or soft cloth to wipe around the washer door opening, door seal, and door glass. These areas should be kept clean to ensure a watertight seal. Be sure to wipe under the inside rubber seal to remove any moisture or soil. Always remove items from the washer as soon as the cycle is complete. Leaving damp items in the washer can cause wrinkling, color transfer, and odor. Run the CLEAN WASHER cycle once a month, or more often if needed, to remove detergent buildup and other residue.

Clea the Washer

1. Remove any clothing in the drum.
2. Open the dispenser drawer.
3. Add liquid chlorine bleach or another drum cleaner designed specifically for cleaning front load washers.

- **If using liquid chlorine bleach**

Add liquid chlorine bleach to the bleach compartment of the drawer. (NOTE : Do not exceed the maximum fill line and do not pour undiluted liquid bleach directly into the wash drum.)

- **If using powdered cleaner**

Remove the liquid detergent cup and add powdered cleaner to the main wash compartment of the dispenser drawer.

- **If using tablet cleaner**

Add tablet cleaner directly to the wash drum.

NOTE:

- Do not add tablet cleaner to the dispenser drawer.
 - Do not add any laundry detergent or fabric softener to the drawer when using CLEAN WASHER.
4. Turn ON the washer and press the CLEAN WASHER button, and the LED will blink. Selecting any other cycle after CLEAN WASHER has been selected will cause the CLEAN WASHER cycle to be cancelled.
 5. After the cycle ends, open the door and allow the drum interior to dry completely.

NOTE: Run the CLEAN WASHER cycle once a month. If a mildewy or musty smell is present, run the CLEAN WASHER cycle once a week for three consecutive weeks

Door Seal and Glass Cleaning

Due to the location and nature of the door seal, some detergent and soil residue may build up on the door glass and seal. Periodic cleaning with a bleach solution can help remove buildup and stains, and can help sanitize the seal to prevent odors.

NOTE: Wear rubber gloves and eye protection while performing the following procedure:

1. Dilute $\frac{3}{4}$ cup (177 ml) liquid chlorine bleach in 1 gallon (3.8 L) of warm/hot water.
2. Use this solution to wipe down all surfaces of the gasket and door glass to remove any deposits. Be sure to fold back the lip of the gasket to get under the inner edge where residue can build up.
3. Dry the gasket and glass with a dry cloth.

4. To allow the gasket to dry completely, secure the door slightly ajar with the door magnet. This will promote air circulation and allow the interior of the machine to dry. To use this feature, close the door just until it contacts the door magnet.



NOTE:

- Follow the manufacturer’s instructions for proper use of bleach.
- To avoid damaging the gasket, NEVER use undiluted bleach to clean the gasket

Removing Mineral Buildup

If you live in an area with hard water, mineral scale can form on internal components of the washer. Use of a water softener is recommended in areas with hard water.

Use a descaler, such as Washer Magic®, to remove visible mineral buildup. After descaling, always run the CLEAN WASHER cycle before washing clothing. Do NOT use steel wool or abrasive cleaners.

Storing the Washer

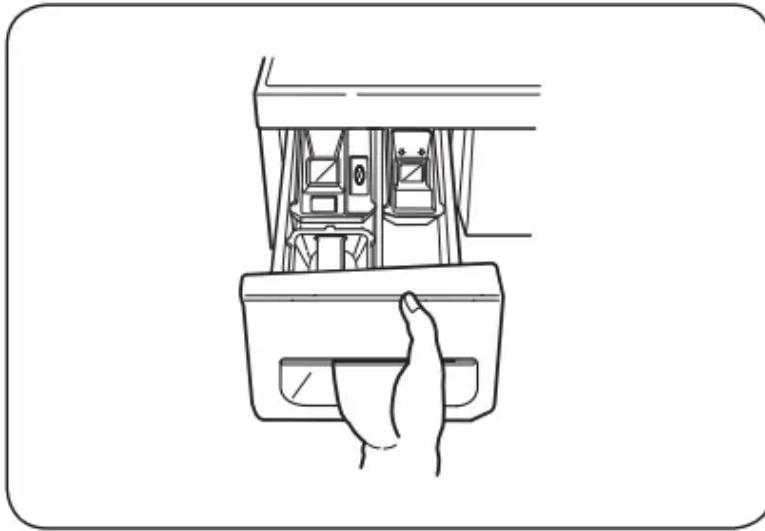
If the washer will not be used for an extended period of time and is in an area that could be exposed to freezing temperatures, perform the following steps to protect the washer from damage.

1. Turn OFF the water supply.
2. Disconnect hoses from water supply and drain water from hoses.
3. Plug the power cord into a properly grounded electrical outlet.
4. Add 1 gallon of nontoxic recreational vehicle (RV) antifreeze to the empty tub and close the lid. NEVER use automotive antifreeze.
5. Press the POWER button, then press the RINSE & SPIN button. Press the START/PAUSE button to activate the drain pump. Allow the drain pump to run for one minute, then press the POWER button to shut off the washer. This will expel some of the antifreeze, leaving enough to protect the washer from damage.
6. Unplug the power cord, dry the tub interior with a soft cloth, and close the lid.
7. Remove the inserts from the dispenser. Drain any water in the compartments and let them dry.
8. Store the washer in an upright position.
9. To remove the antifreeze from the washer after storage, run a complete EXPRESS WASH cycle using detergent. Do not add laundry to this cycle.

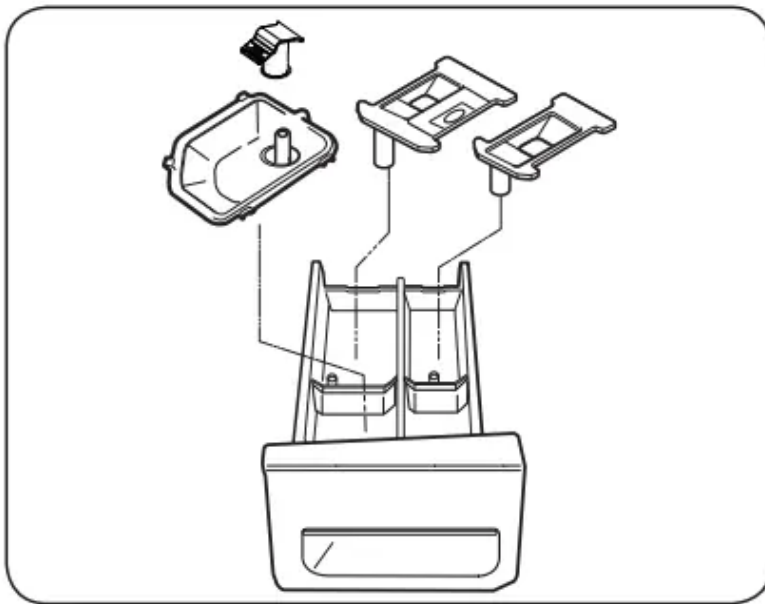


Cleaning the Dispenser

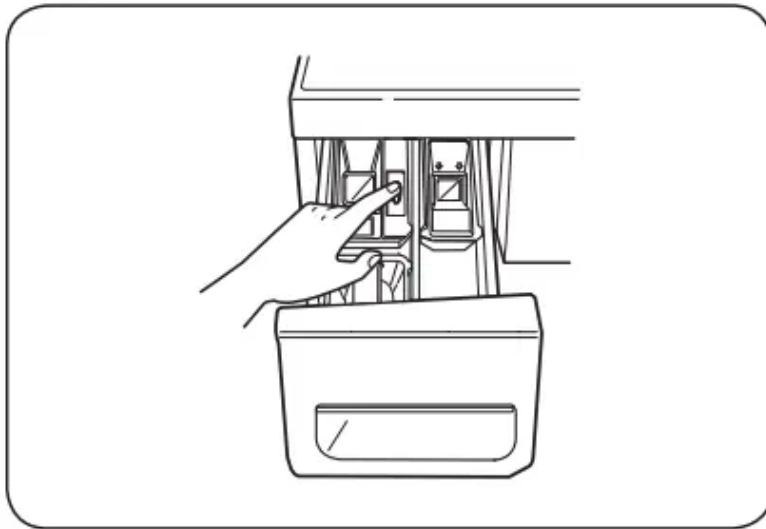
The dispenser should be cleaned periodically to remove buildup of detergent and other laundry products that can cause the dispenser not to dispense the laundry product properly



1. Pull the dispenser drawer out until it stops.



2. Press down the lock tab located between the bleach and softener compartments and slide the drawer out.
3. Remove the liquid detergent box, softener and bleach inserts from their compartments.
4. Clean the dispenser compartments and inserts with warm water.

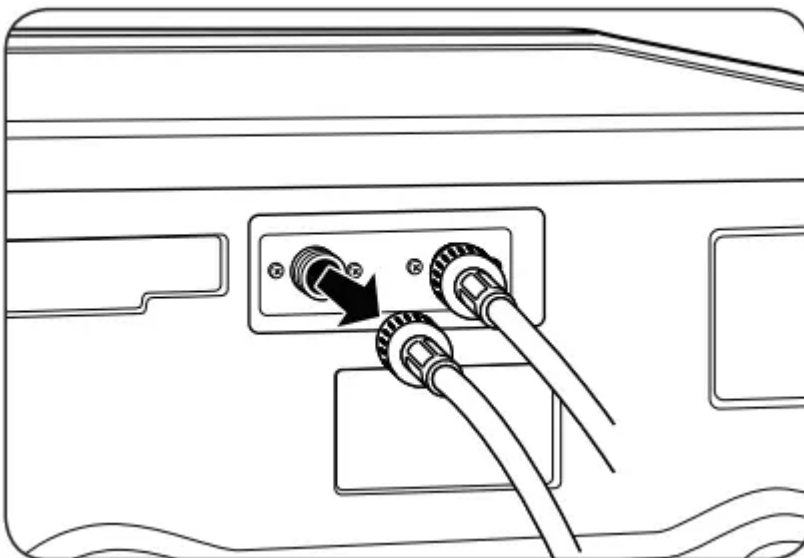


MAINTENANCE

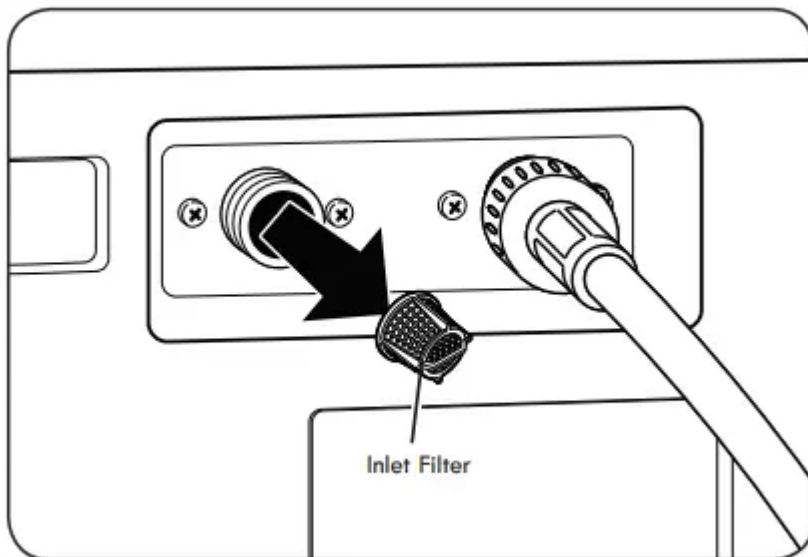
Cleaning the Water Inlet Filters

If the washer does not fill properly, an error message will show on the display. The inlet valve filter screens could be plugged by hard water scale, sediment in the water supply, or other debris.

NOTE: The inlet screens protect the delicate parts of the inlet valve from being damaged by particles that could enter the valves with the water supply. Operating the washer with these filters removed could cause a valve to stick open resulting in flooding and/or property damage.



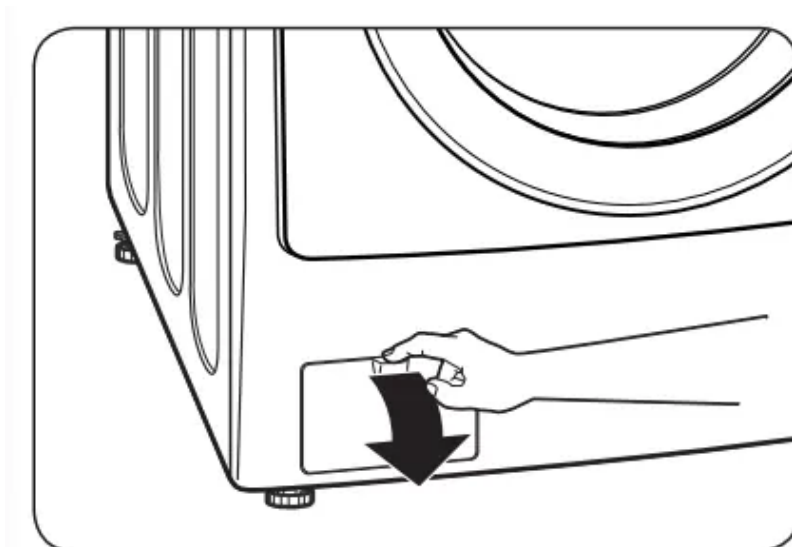
1. Turn OFF both water faucets completely. Unscrew the hot and cold water lines from the back of the washer.



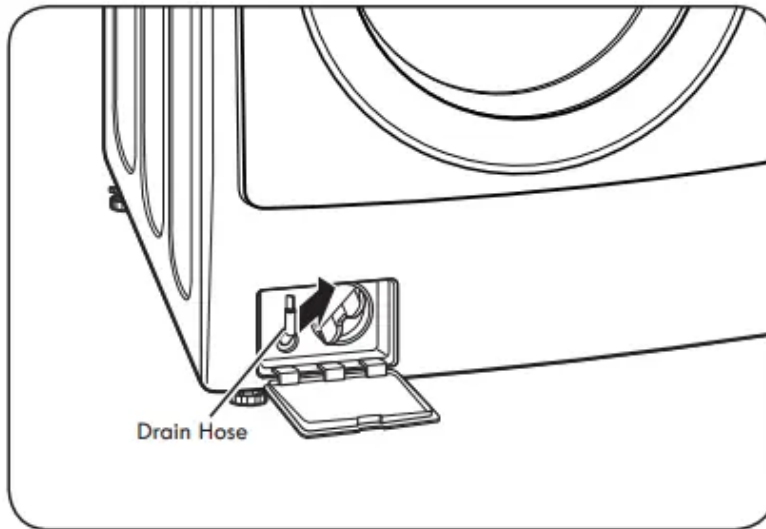
2. Carefully remove the filters from the water valves and soak them in white vinegar or a lime scale re- mover, following the manufacturer's instructions. Be careful not to damage the filters while cleaning.
3. Rinse thoroughly before reinstalling. Press the filters back into place.
4. Before reattaching the hoses, flush the hoses and water lines by running several gallons of water into a bucket or drain.

Cleaning the Drain Pump Filter

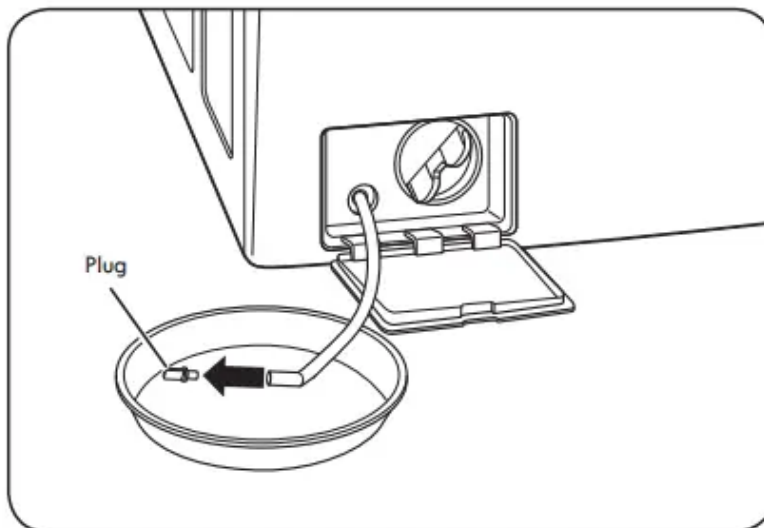
The washer is equipped with a filter that helps prevent excess lint and foreign objects like buttons, keys, and coins from causing damage to the pump. If the washer fails to drain properly, unplug the washer and allow the water to cool, if necessary, before proceeding.



- 1 Open the drain pump filter access panel.

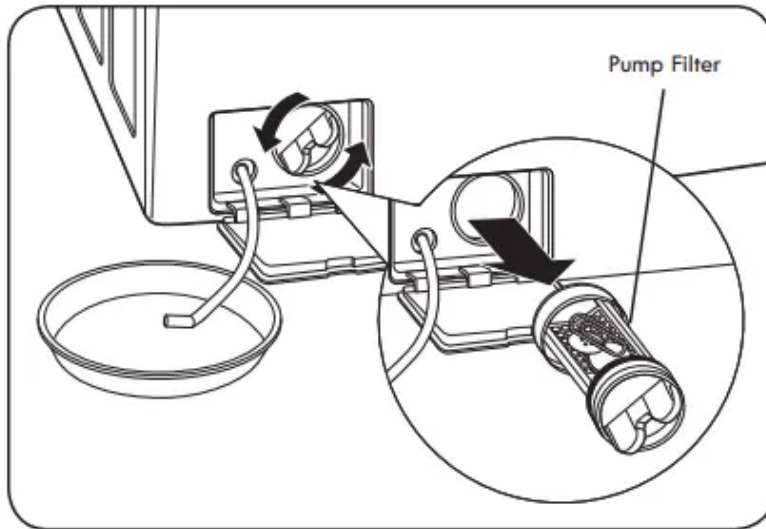


2. Unclip the drain hose and pull it out. Place the end of the drain hose into a shallow pan or a floor drain. Make sure not to pull the hose out too far, or it may not drain properly.



3 Remove the plug from the drain hose, and allow the water to drain completely.

NOTE: If there is a large amount of water in the drum, you may have to empty your container several times.



4. Twist the pump filter counterclockwise to remove. Remove any lint and foreign objects from the pump filter. Insert pump filter back into opening and twist clockwise to secure. Be sure to close the drain pump filter access panel

TROUBLESHOOTING

NORMAL SOUNDS YOU MAY HEAR

The following sounds may be heard while the washer is operating. They are normal.

Clicking: Door locking mechanism clicks when the door locks and unlocks.


Humming or gurgling: Drain pump is pumping water from the washer at times during a cycle.

Spraying or hissing: Water spraying or circulating during the cycle.

Splashing: Clothes tumbling in the drum during the wash and rinse cycles.

Before Calling for Service

If your washer does not function properly or does not function at all, check the following before you call for service.

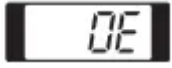
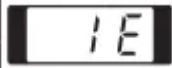
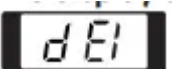

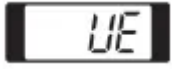
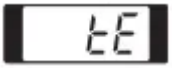
Problem	possible Cause	Solutions
Rattling and clanking noise	Foreign objects, such as keys, coins, or safety pins, may be in drum or pump.	Stop washer, check drum and drain for objects. If noise continues after washing, call for service.
Thumping sound	Heavy wash loads may produce a thumping sound. Washer load may be out of balance. Washing shoes or tightly tangled clothes.	This is normal. If sound continues, washer may be out of balance. Stop and redistribute load. Pause the cycle and redistribute the load. Wait for door unlocks.
Vibrating noise	Shipping bolts and/or packaging materials were not removed. Wash load may be unevenly distributed in the drum. Not all leveling feet are resting firmly and evenly on the floor. Floor not rigid enough.	See the UNPACKING AND REMOVAL section in the Installation and Operation Manual. Pause the cycle and redistribute the load. Wait for door unlocks. See Leveling the Washer in the Installation and Operation Manual. Make sure that the floor is solid and level. See Flooring in the Installation and Operation Manual.
Water leaking around washer	Inlet hose connection is loose at tap or washer. House drain pipes are clogged. Drain hose has come out of drain. Drain hose is not inserted far enough. Door glass is dirty.	Check hoses. Check and tighten hose connections. Unclog drain pipe. Contact a plumber if needed. Tie drain hose to inlet hose or start of drain pipe to prevent it from coming out during drain. It should be inserted about 8-12 inches (20.3-30.5 cm) into the drain. Inspect door glass periodically to make sure there is no buildup of residue or other foreign matter. Clean door glass according to the cleaning instructions.
Excessive sudsing	Too much detergent or incorrect detergent.	 Only use detergent with the HE logo. See Detergent Use in the Installation and Operation Manual section.
Staining	Bleach or softener dispensed too soon. Bleach or softener was added directly to the wash load in the drum.	Dispenser compartment is overfilled with bleach or softener to dispense immediately.



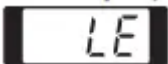
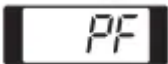
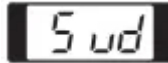
	<p>Washer was not unloaded promptly.</p> <p>Clothes were not properly sorted.</p>	<p>Dispenser drawer closed too quick or softener to dispense immediately.</p> <p>Laundry chemicals must be loaded in dispenser.</p> <p>Always remove items from the washer as soon as possible after the cycle is complete.</p> <p>Always wash dark colors separately from whites to prevent discoloration.</p> <p>Never wash heavily soiled items with clean items.</p>
<p>Washer will not turn ON</p>	<p>Power cord is not properly plugged in.</p> <p>House fuse is blown, circuit breaker has tripped, or power outage has occurred.</p> <p>House fuse is blown, circuit breaker has tripped, due to multiple appliances on one outlet.</p>	<p>Make sure that the plug is plugged into a grounded, 3-prong, 120-VAC, 60-Hz outlet.</p> <p>Reset circuit breaker or replace fuse with correct fuse capacity. If the problem is a circuit problem, have it corrected by a qualified electrician.</p> <p>Reset circuit breaker or replace fuse with correct fuse capacity. If one appliance is connected to the outlet, have an electrician to have an additional circuit installed.</p>
<p>Door will not unlock when cycle is stopped or paused</p>	<p>Interior temperature of washer is too high.</p> <p>Water level in washer is too high.</p>	<p>The washer door has a safety feature to prevent personal injury. For example, if the washer is still hot during the hot wash stage of a san cycle, the interior temperature of the drum will be too high and the door will not unlock. This is normal. The washer will cool until the DOOR LOCK indicator turns OFF on the display.</p> <p>To drain the water, press POWER, then SPIN SPEED button without selecting any other buttons.</p>
<p>Wash cycle time is longer than usual</p>	<p>The washer automatically adjusts the wash time for the amount of laundry, water pressure, water heating time and other operating conditions.</p>	<p>This is normal. The washer adjusts the wash time automatically to provide optimal results for the selected cycle. The time remaining on the display is only an estimate. Actual wash time may vary.</p>
<p>Musty or mildewy odor in washer</p>	<p>Incorrect or too much detergent has been used.</p> <p>Inside of drum was not cleaned properly.</p>	<p>Use only High-Efficiency (HE) detergent in accordance with the manufacturer's instructions.</p> <p>Run a cleaning cycle with a washer cleaner to clean the inside of the drum.</p>



	<p>Door left closed after use.</p>	<p>Run the CLEAN WASHER cycle re wipe around and under the door seal. See Care and Cleaning of the Interior.</p> <p>Clean around door seal/glass to prevent mold.</p> <p>Use the door magnet to leave the door slightly open after use. This promotes air circulation and helps the interior of the machine to dry. To use the door magnet, close the door just until it contacts</p>
Wrinkling	<p>Washer not unloaded promptly.</p> <p>Washer overloaded.</p> <p>Hot and cold water inlet hoses are reversed.</p>	<p>Always remove items from the washer as soon as the cycle is complete.</p> <p>When washing large loads, do not overfill. The washer can be fully loaded, but items should not be tightly packed and the door should be able to open easily.</p> <p>Hot water rinse can set wrinkles in clothes. Check the inlet hose connections.</p>
Strange odors coming from washer	<p>Dryer heating.</p> <p>Newly installed washer.</p> <p>Build-up of residue on washer, foreign object in door gasket, clogged drain pump filter, clogged or kinked drain hose.</p>	<p>As the dryer heats, it may initially cause a smell. This is normal and does not affect the performance of the washer.</p> <p>Smell comes from the rubber attachment on the door. It will eventually dissipate after several wash cycles.</p> <p>Periodically clean the gasket. Mold and mildew substances inside the gasket may cause musty smells.</p> <p>Clean the drain pump filter regularly to remove substances on the drain pump filter that can cause mildew or musty smells.</p> <p>If the drain hose is not installed properly, a musty smell may be emitted because of a backflow of water into the tub. Make sure that the drain hose is not kinked or clogged.</p>
Water in the washer drains slowly or not at all, or the display shows:	<p>Drain hose is kinked, pinched, or clogged.</p> <p>The drain pump filter is clogged.</p>	<p>Make sure the drain hose is free of kinks and is not pinched behind or under the washer.</p> <p>Clean the drain pump filter. See Maintenance and Care and Cleaning section.</p>



	<p>Drain discharge is more than 96 inches (244 cm) above bottom of washer.</p>	<p>Adjust or repair drain. Maximum discharge height is 96 inches (244 cm).</p>
<p>Washer fills with water slowly or not at all, or the display shows:</p> 	<p>Water supply faucets are not open fully.</p> <p>Water line hoses are kinked, pinched, or crushed.</p> <p>Water inlet filters are clogged.</p> <p>Water supply pressure to faucet or house is too low.</p> <p>Water supply connected with leak-limiting hoses.</p>	<p>Make sure that the water faucets are open fully.</p> <p>Make sure the hoses are not kinked or crushed. Be careful when moving the washer during installation and maintenance.</p> <p>Clean the inlet filters. See Maintenance and Cleaning section.</p> <p>Check another faucet in the house to make sure household water pressure is adequate. Water pressure is restricted.</p> <p>Hoses designed to limit leaks can prevent the washer from filling. The use of leak-limiting hoses is not recommended.</p>
<p>Cycle won't start, or the display shows:</p>  <p>or</p> 	<p>The door is not closed properly.</p>	<p>Make sure that the door is closed properly and press the START/PAUSE button. After starting the cycle, it may take a few moments before the drum starts to turn or spin. The washer will not operate if the door is locked.</p> <p>If the door is closed and locked and the error message is displayed, call for service.</p>
<p>The display shows:</p> 	<p>Load is too small.</p> <p>Load is out of balance.</p>	<p>Add 1 or 2 similar items to help balance the load.</p> <p>The washer has an imbalance detection and correction system. If individual heavy items are loaded (bath mat, bath robe, etc.) and the imbalance is too great, the washer will make several attempts to restart the spin cycle. If an imbalance is still detected, the washer will stop and the error message will be displayed.</p>
<p>The display shows:</p> 	<p>Control error.</p>	<p>Unplug the washer and wait 60 seconds before plugging power and try again. If the error reappears, call for service.</p>

<p>The display shows:</p> 	<p>Water level is too high due to a faulty water valve.</p>	<p>Close the water faucets, unplug the washer, and call for service.</p>
<p>The display shows:</p> 	<p>The water level sensor is not working correctly.</p>	<p>Close the water faucets, unplug the washer, and call for service.</p>
<p>The display shows:</p> 	<p>A motor error has occurred.</p>	<p>Allow the washer to stand for 30 minutes, then restart the cycle. If the LE error code continues, call for service.</p>
<p>The display shows:</p> 	<p>A power failure has occurred.</p>	<p>If the power to the washer has been interrupted during a cycle, the PF error code will display the next time the washer is turned ON. This does not affect the fact that the previous cycle may have been completed. Select any cycle to clear the error code and use the washer.</p>
<p>The display shows:</p> 	<p>If the washing machine detects too many suds, it displays this error code and adds a Suds Reducing cycle. This adds about two hours to the cycle time. If too many suds are detected during spinning, the washing machine stops to help prevent leaking.</p>	<p>Do not add more than the manufacturer's recommended amount of detergent. To remove suds, turn the washer off and restart the Rinse & Spin cycle.</p>

Warning

This content is compiled from multiple sources and is provided for reference purposes only. It may not be complete or fully applicable to all situations. If you are unable to resolve your issue, please contact the product manufacturer or an authorized service provider for official support.