

Assembly

1. Line up the connector on the Reach Wand with the Powered Nozzle. Push the Reach Wand down onto the Powered Nozzle until it clicks into place.



2. Push the Handheld down onto the Reach Wand until it clicks into place.



3. The vacuum cleaner is not free standing and in between uses must always be placed in the wall bracket or laid flat on the floor, in a suitable location so it does not become a trip

hazard or can be stepped on.



WARNING: To reduce the risk of personal injury, remove battery before cleaning or servicing.

IMPORTANT: This vacuum cleaner is not free standing. In between uses or when carrying out any maintenance always lie flat on the floor in a suitable location so it does not become a trip hazard or can be stepped on.

Attach the wall bracket:

First, fully assemble the vacuum but do not attach the battery.

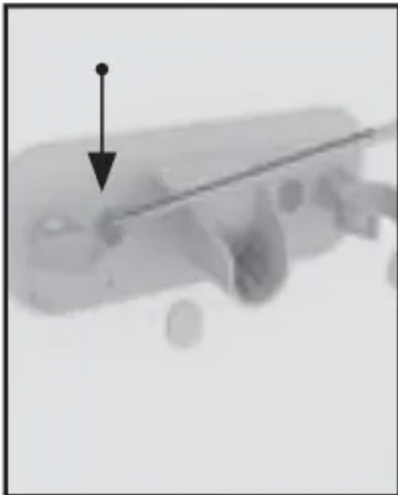
1. Attach the wall bracket to the handle.



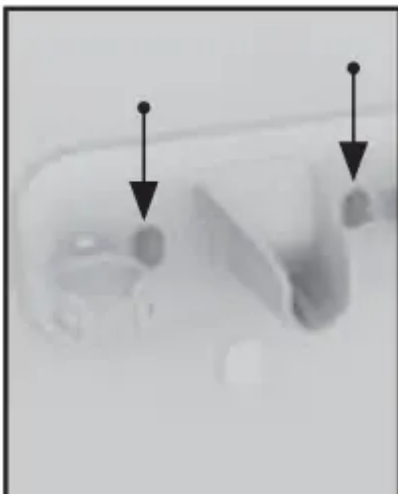
2. With the wall bracket attached, stand the vacuum close to the wall, in the upright position with the Powered Nozzle flat on the floor.



3. Holding the wall bracket firmly in place, carefully remove the vacuum. Using a pencil make a small mark for each screw.



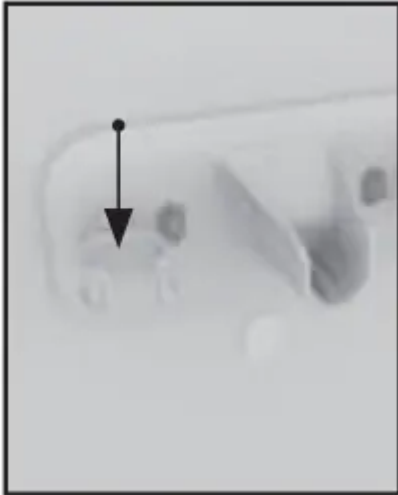
4. Use both screws and screw covers to secure the wall bracket to the wall. Place covers over the screws.



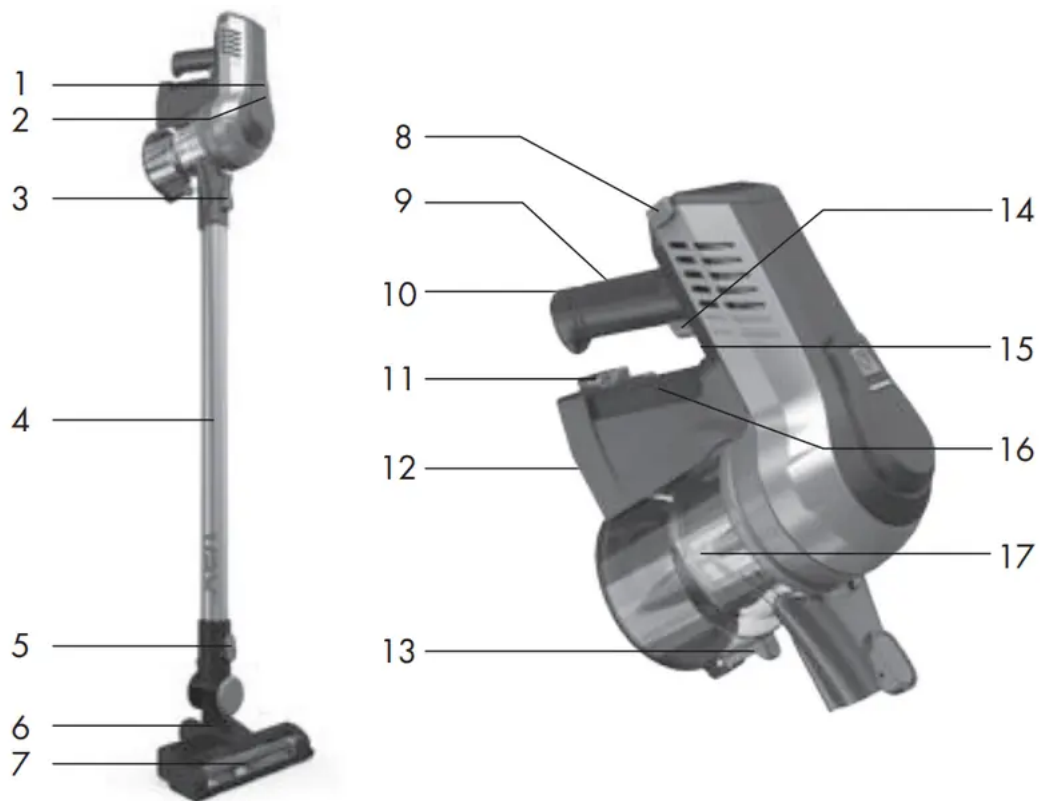
5. Firmly press the vacuum handle into the wall bracket to secure.



6. The tools can be stored on the wall bracket.



How to use:

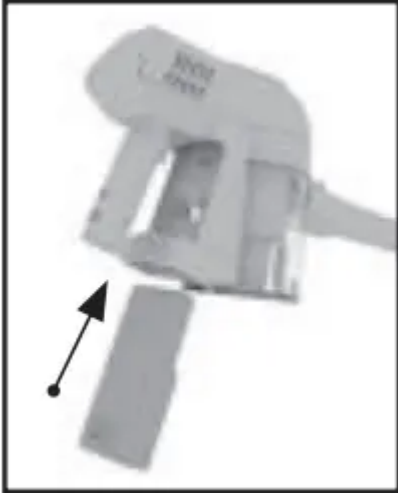


1. Brush roll On/Off button
2. On/Off & charging light
3. Handheld release button
4. Reach Wand
5. Power Nozzle/accessory release button
6. Powered Nozzle
7. Brush roll
8. Filter cover release buttons
9. Handle
10. Battery Charging Port
11. Battery release button
12. Dirt container removal button (hidden)
13. Dirt empty button
14. On/Off trigger
15. Continuous power lever (hidden)
16. Battery

17. Dirt container

Before you begin cleaning:

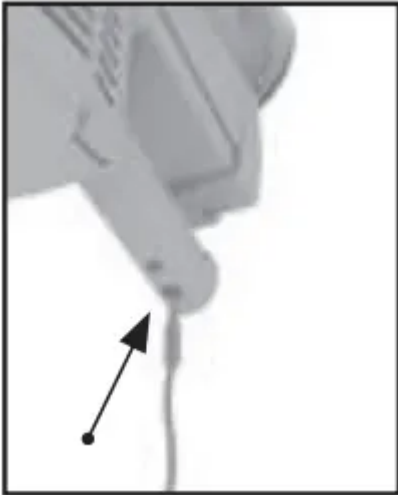
1. Slide the battery into the back of the Handheld. The battery will click into position when correctly fitted.



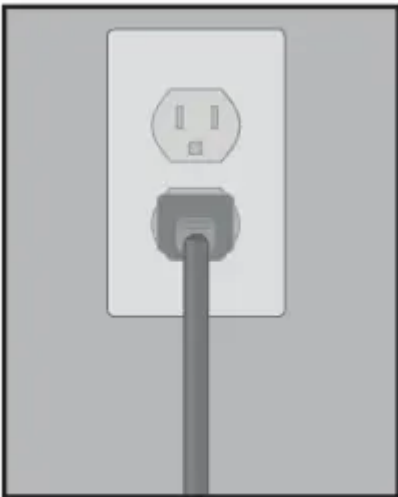
2. Charge the machine, while stored in the wall mount with the floorhead and wand attached. You can also charge the machine when not in wall mount by removing the attachments and laying the Handheld on its side.



3. Insert the charging cord into the charging port located on the back of the handle.



4. Plug the charger plug into the outlet

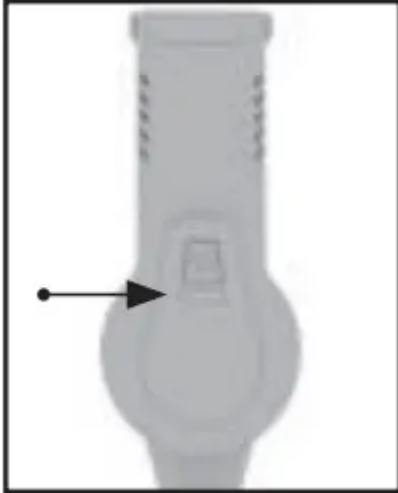


WARNING: To reduce the risk of personal injury, remove battery before cleaning or servicing.

IMPORTANT: For best cleaning results, filters require cleaning at least every 3 months and should be replaced every 12 months depending upon use. If the vacuum cleaner is blocked, remove the battery before removing the blockage.

5. The On/Off and charging light will illuminate while the charger is connected. Red flashing light - the battery is charging. Green continuous light - the battery is charged. If charging

for the first time the initial charge time may be up to 6 hours.

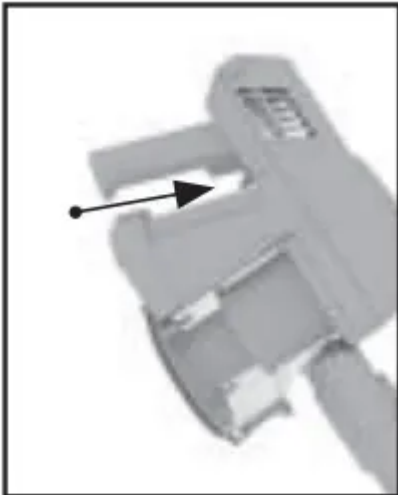


WARNING: Do not use the vacuum cleaner when the machine is plugged in and charging.

IMPORTANT: For best performance the terminals on the battery and vacuum cleaner must be clean and free from dust and dirt. The life expectancy of the battery will vary depending on the usage of the vacuum cleaner.

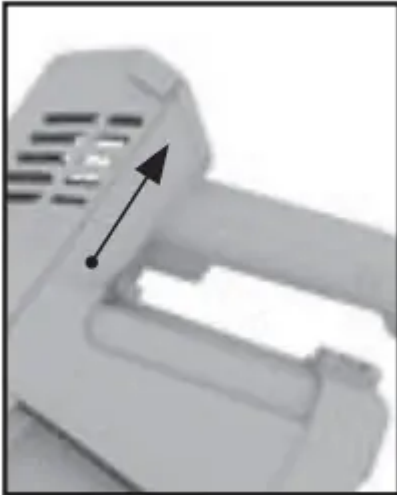
Using your machine:

1. Squeeze the trigger located underneath the handle, the machine will switch 'On'. The On/Off and charging light will illuminate green indicating the power is on and the machine is charged. Release the trigger to switch the machine 'Off'.



2. Squeeze the trigger and pull the 'Continuous Power Lever' towards the trigger. This will lock it into the 'On' position and will continue to power the machine without having to hold

in the trigger. Push the lever away from the trigger to unlock and release the trigger.



3. Press the brush roll's On/Off button to go between carpet and hard floor mode. The brush roll will spin for carpet mode.



4. When the vacuum cleaner is in use the On/Off and charging light will illuminate and flash red when the battery is running low. When the red light flashes the machine will turn off in 20 seconds. The user should recharge the battery

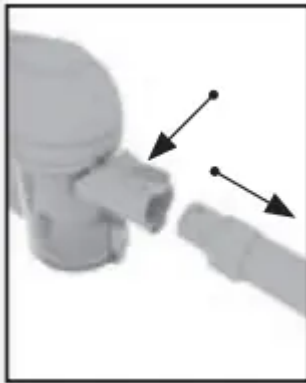


WARNING ! This vacuum cleaner has a constantly rotating brush roll when the brush roll 'ON' is selected. Never leave the vacuum cleaner in one spot for an extended period of time as this may damage the floor surface. The brush roll should be ON for carpets and OFF for hard floors.

WARNING: Risk of personal injury – the brush roll may suddenly restart. Turn power switch Off and remove the battery before cleaning or servicing the brush roll.

Using your machine as a Handheld vacuum:

1. Press the Handheld release button. Pull to separate the Handheld from the Reach Wand



2. Choose an accessory (all accessories not available on all models).



3. The Reach Wand when attached to the Powered Nozzle/accessory is not free standing, place safely and securely to one side.



4. Push the chosen accessory into the Handheld until it clicks into place. (All available accessories can be attached directly onto the Handheld).

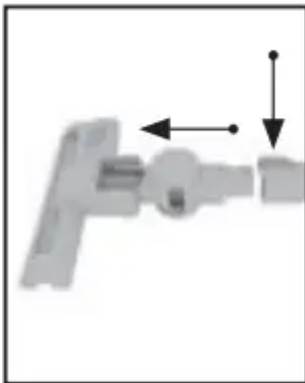


IMPORTANT: Not to be used for grooming a pet.

Using your machine to clean up high:

The Reach Wand can be used for hard-to-reach places.

1. Press the Power Nozzle/ accessory release button and pull to remove the Powered Nozzle from the Reach Wand.



2. Choose an accessory (all accessories not available on all models).



1. The Reach Wand can be used for hard-to-reach places.



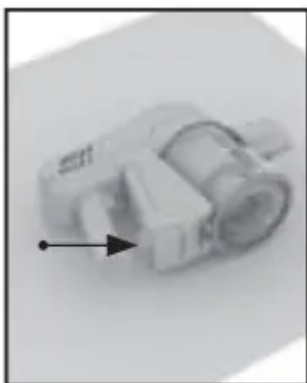
2. The vacuum cleaner is not free standing and in between uses must always be placed in the wall bracket or laid flat on the floor, in a suitable location so it does not become a trip hazard or can be stepped on.



Maintenance:

Removing the battery.

1. Lie the Handheld on its side on a flat stable surface. Press the battery release button.



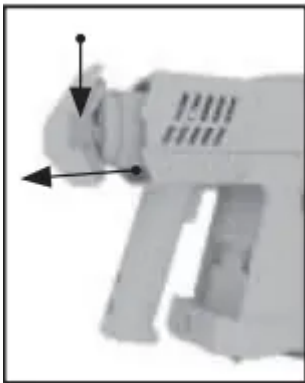
2. Slide the battery out from the bottom of the Handheld.



WARNING: To reduce the risk of personal injury, remove battery before cleaning or servicing

Cleaning the post-motor filter.

1. Press the filter cover release buttons located on both sides of the filter cover and pull to remove the filter from the machine.



2. Hold filter cover and pull filter off of the filter cover. Tap filter and filter cover over the trash bin to remove any dirt or debris. Rinse filter under warm running water until water is clear.



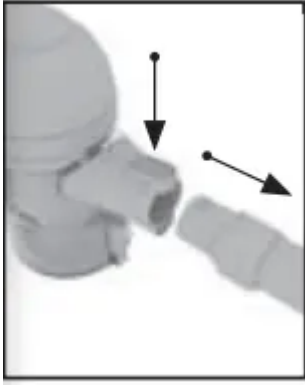
WARNING: To reduce the risk of personal injury, remove battery before cleaning or servicing.

NOTE: DO NOT USE SOAP OR ANY OTHER CHEMICAL TO CLEAN.

DRY FILTER COMPLETELY, FOR UP TO 24 HOURS, BEFORE REINSTALLING INTO THE PRODUCT.

Emptying the dirt container.

1. Press the Handheld release button. Pull to separate the Handheld from the Reach Wand.



2. The Reach Wand when attached to the Powered Nozzle/accessory is not free standing. Place safely and securely to one side.



3. Ensure the battery has been removed and hold the Handheld over a trash bin



4. Press the dirt empty button



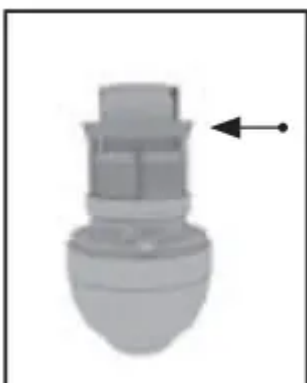
WARNING: To reduce the risk of personal injury, remove battery before cleaning or servicing.

Cleaning the separator, filter and dirt container.

1. To remove the dirt container, turn unit upside down. Push the 'Remove Dirt Cup' button and tilt the dirt container slightly forward and pull to remove.



2. Twist the separator counterclockwise and pull to remove. Clean any dust and dirt from the separator.



3. To reassemble, line up the arrows around the side of the separator with the arrows on the Handheld. Twist the separator clockwise locking it into place.



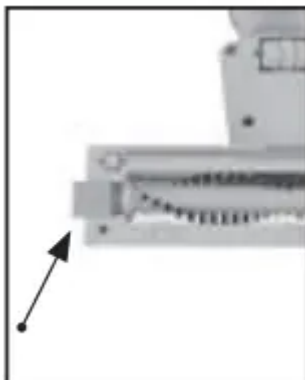
4. Reassemble the dirt container onto the unit over the separator - the hook should go onto the front first. Then, push the dirt container backwards to lock into place.



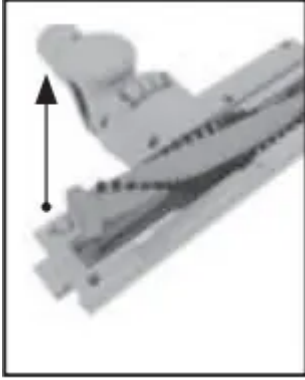
WARNING: Risk of personal injury – the brush roll may suddenly restart. Turn power switch Off and remove the battery before cleaning or servicing the brush roll.

Removing and replacing the brush roll.

1. Slide to release the brush roll. The button can not be removed.



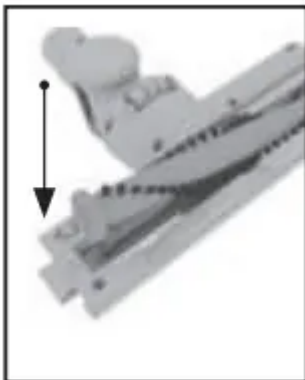
2. Lift left end of brush roll first to remove



3. Clear any threads or hair from both ends of the brush roll and any dirt/ debris inside the housing of the Powered Nozzle.



4. When re-fitting the brush roll fit the right side into the housing first. Then line up left end of brush roll and slide into place. Ensure that the brush roll release button slides back into place to secure the brush roll.



WARNING: Risk of personal injury – the brush roll may suddenly restart. Turn power switch Off and remove the battery before cleaning or servicing the brush roll.

Removing blockages from the Powered Nozzle.

1. The brush roll should be removed from the Powered Nozzle before attempting to remove any blockages. Carefully use scissors to remove any threads or hair from around the brush roll and clear any dirt or debris from Powered Nozzle.



WARNING: Risk of personal injury – the brush roll may suddenly restart. Turn power switch Off and remove the battery before cleaning or servicing the brush roll

Removing blockages from the Reach Wand.

2. To test for a blockage in the Reach Wand, drop a small ball of paper into the wand. The paper will drop through if the wand is clear. Use a broom handle or similar blunt object to remove any blockage.



LUBRICATION: The motor and brush roll are equipped with bearings which contain sufficient lubrication for their lifetime. The addition of lubricant could cause damage. Do not add lubricant to motor or brush roll.

Any other servicing should be done by an authorized service representative. If appliance is not working as it should, has been dropped, damaged, left outdoors, or dropped into water, take it to a service center prior to continuing use.

Troubleshooting

My Cruise Cordless Vacuum won't turn on.

- Your battery may not be charged. Check the Charge Level Indicator and charge the battery if it's low. Charge time may take up to 6 hours. Due to federal regulations the battery does not come fully charged.

My Cruise Cordless Vacuum isn't picking up well.

- You may have a clogged filter. Your filter should be rinsed every 4-6 uses. Remove the filter. Rinse with clear warm water for two minutes. Let it dry for 24 hours before reinstalling it.

If your filter was dirty...

- You may also have a clog in the system. Check the Reach Wand for any clogged debris. If found, remove the clog.

My Cruise™ Cordless Vacuum picks up well on hard floors, but not on carpet.

- When you're vacuuming, look to see if the brush roll is spinning. You should hear it. If you don't, pull the trigger switch to turn on the brush roll.

Any other servicing should be done by an authorized service representative. If appliance is not working as it should, has been dropped, damaged, left outdoors, or dropped into water, take it to a service center prior to continuing use.

Warning

This content is compiled from multiple sources and is provided for reference purposes only. It may not be complete or fully applicable to all situations. If you are unable to resolve your issue, please contact the product manufacturer or an authorized service provider for official support.