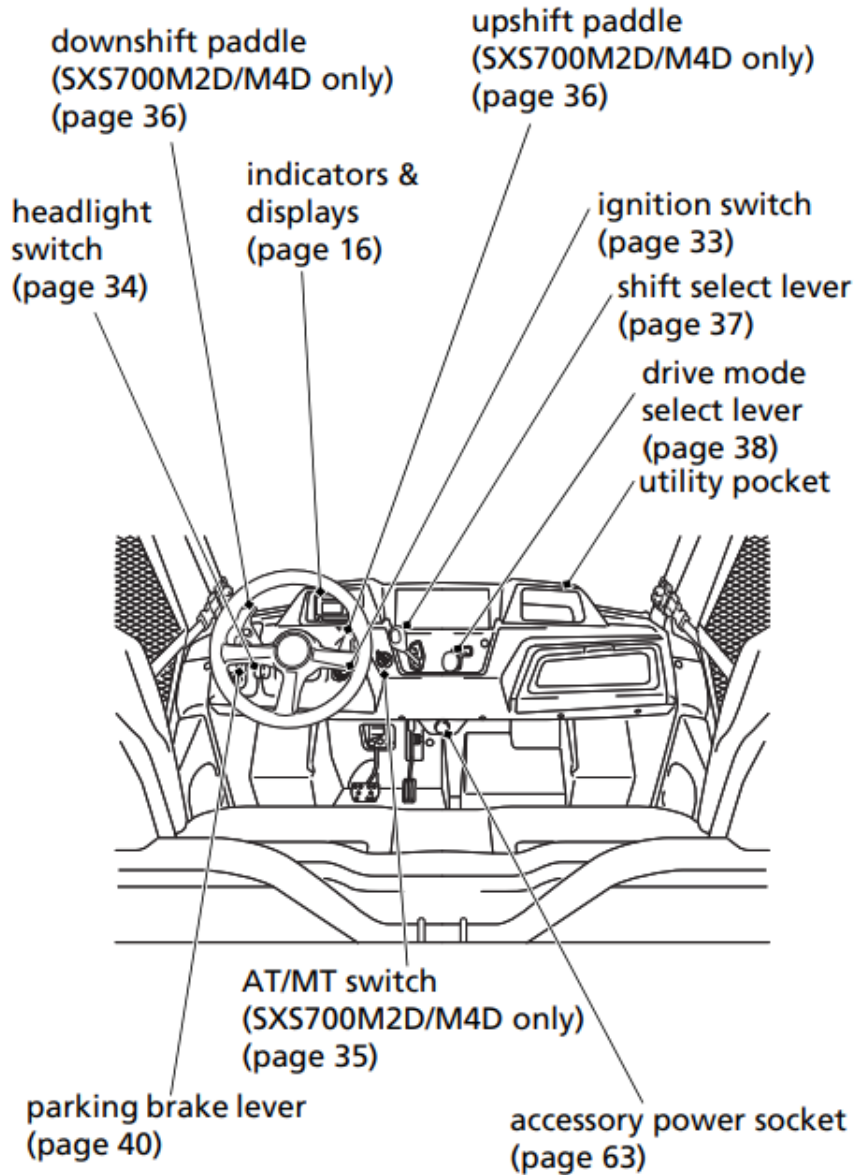
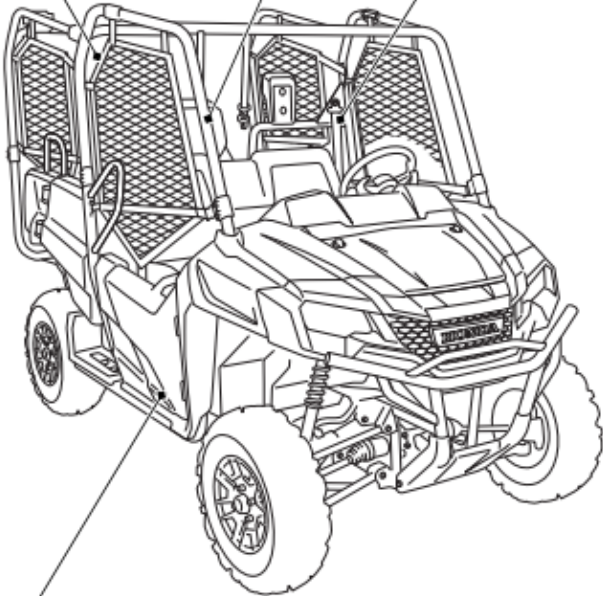


Operation Component Locations



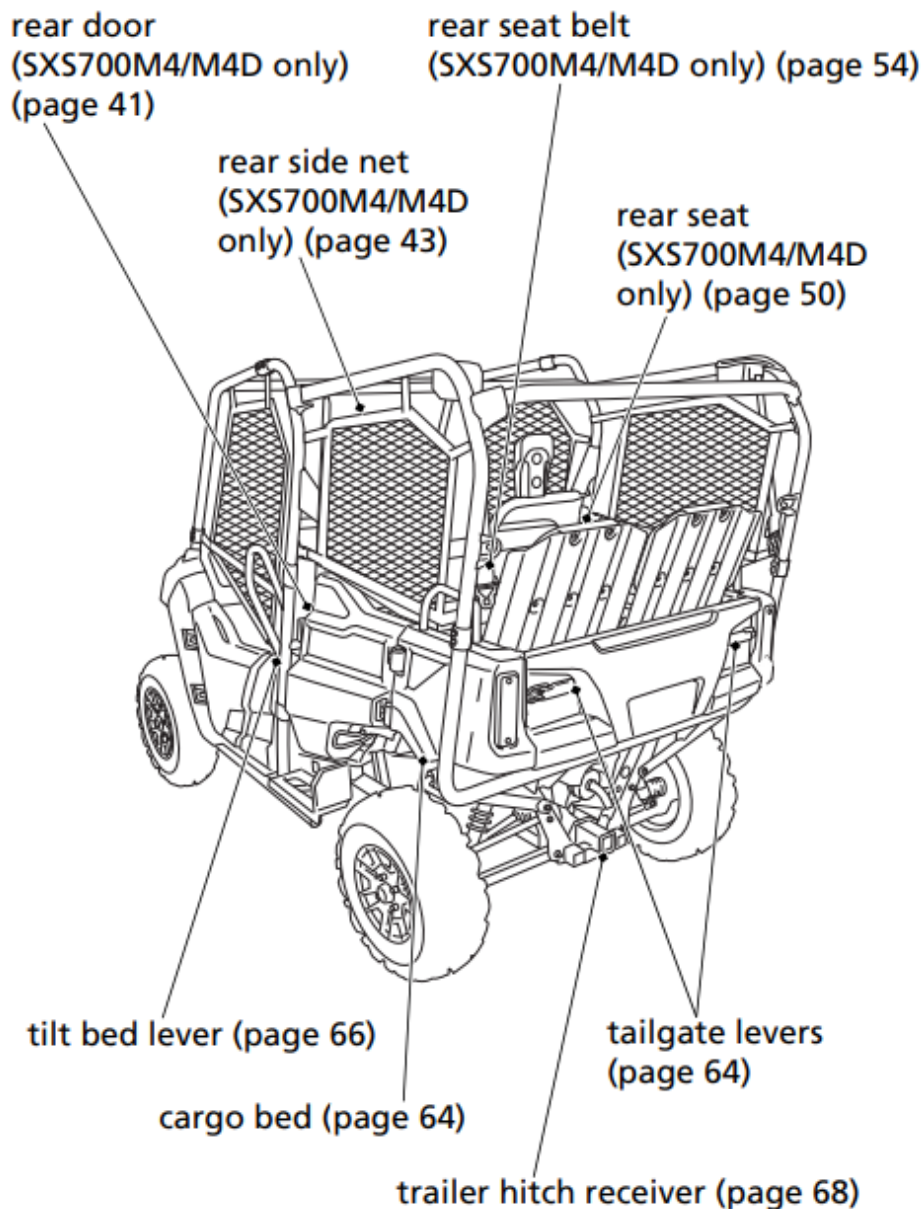
front side net (page 43) passenger handhold (page 61)

front seat belt (page 54)



front door (page 41)





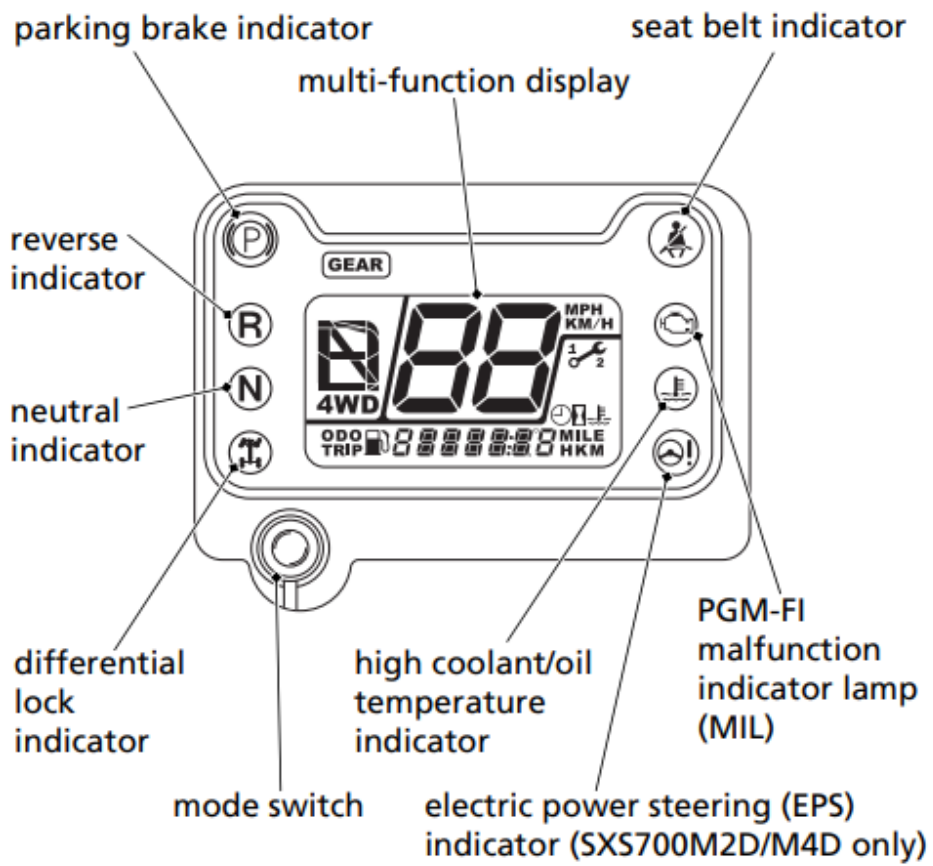
Indicators & Displays

The indicators and displays on your Honda SXS keep you informed, alert you to possible problems, and make your driving safer and more enjoyable. Refer to the indicators frequently. Their functions are described on the following pages.


Lamp Check

The indicators come on and go off sequentially when you turn the ignition switch to the ON (I) position.

If one of these indicators does not come on key ON check, have your dealer check for problems.



<p style="text-align: center; font-size: 2em; font-weight: bold;">N</p>	<p>Neutral Indicator</p> <p>This indicator comes on and stays on when the transmission is in neutral.</p>
<p style="text-align: center; font-size: 2em; font-weight: bold;">R</p>	<p>Reverse Indicator</p> <p>This indicator comes on and stays on when the transmission is in reverse.</p>
<p style="text-align: center; font-size: 2em;">Ⓟ</p>	<p>Parking Brake Indicator</p> <p>This indicator comes on and stays on when the parking brake is on.</p>
<p style="text-align: center; font-size: 2em;">4x4</p>	<p>Differential Lock Indicator</p> <p>This indicator will be on when the 4WD diff lock mode engages, along with the 4WD indicator (page 32).</p>
<p style="text-align: center; font-size: 2em;">🌡️</p>	<p>High Coolant/Oil Temperature Indicator</p> <p>This indicator comes on and stays on when either the coolant temperature or the engine oil temperature is high enough to adversely affect the service life of the engine. If this indicator comes on while you are driving, stop as soon as possible, turn the engine off, and let it cool.</p>
<p style="text-align: center; font-size: 2em;">🚗</p>	<p>PGM-FI Malfunction Indicator Lamp (MIL)</p> <p>This indicator comes on and stays on when there is a problem with your vehicle's engine system. If this happens, reduce speed and take your vehicle to a dealer as soon as possible.</p>
<p style="text-align: center; font-size: 2em;">🚗</p>	<p>Seat Belt Indicator</p> <p>This indicator starts blinking if the driver's seat belt is not latched and remains blinking until the driver's seat belt is latched.</p>

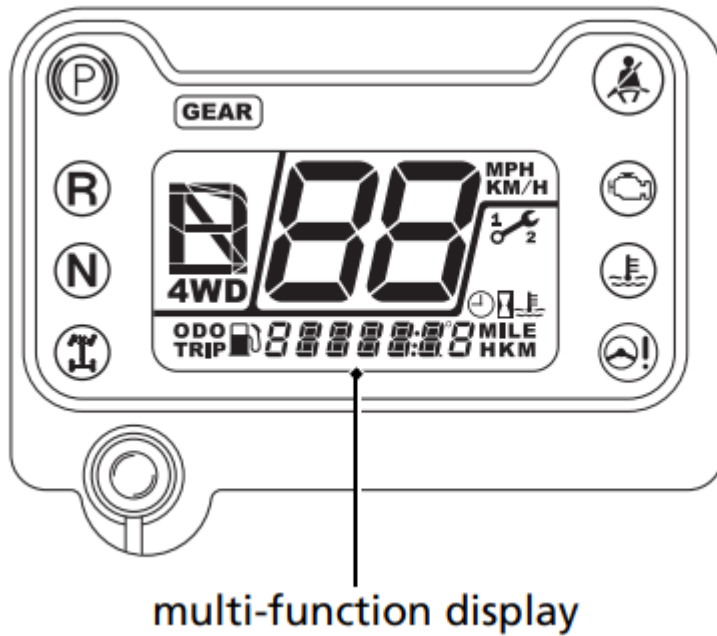
	If the driver's seat belt is not latched properly, the maximum vehicle speed will be limited by the seat belt speed limiting system (page 55).
	<p>Electric Power Steering (EPS) Indicator (SXS700M2D/M4D only)</p> <p>This indicator comes on when the ignition switch is turned on and remains on until the engine is started.</p> <p>This indicator comes on and stays on when there is abnormality in the electric power steering system.</p>

Multi-function display		This display includes the following functions.
	Speedometer display	Shows driving speed in miles or kilometers per hour (page 22).
	Odometer display	Shows fuel gauge, digital clock, odometer, tripmeter, coolant temperature gauge, hour meter, maintenance tripmeter and maintenance hour meter (page 23).
	Gear position display	Shows gear position (page 32).
Mode switch		This button is used to select the mode, to change the mileage unit and adjust/ resets the digital clock, tripmeter and hour meter (page 21).

Display Check

When the ignition switch is turned ON (I), the multi-function display will temporarily show all the modes and digital segments and initial message. So, you can make sure the liquid crystal display is functioning properly.

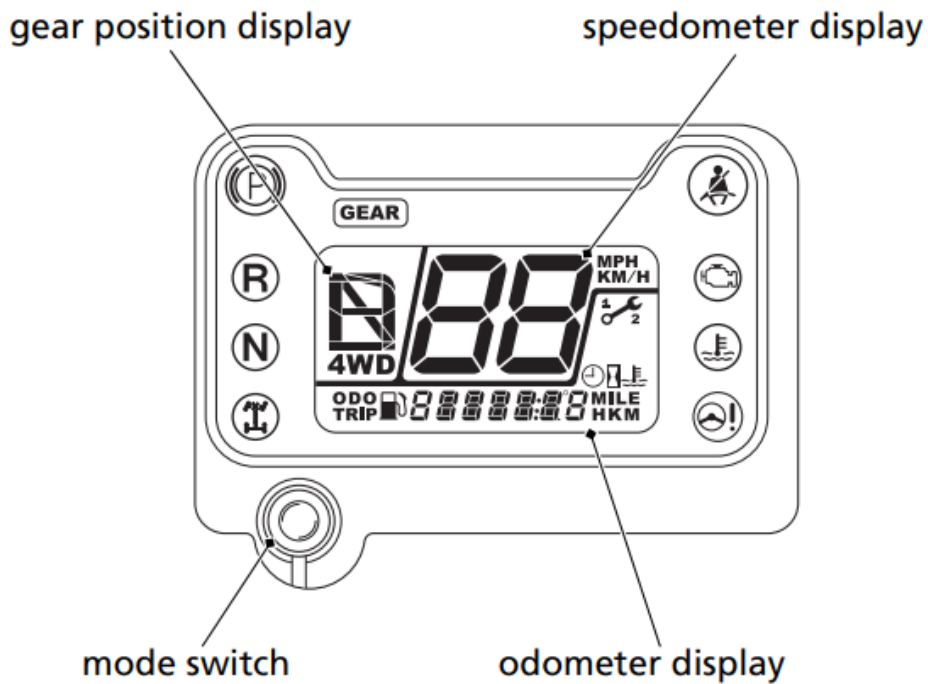
If any part of this display does not come on during the key ON check, have your dealer check for problems.



Multi-function Display

The multi-function display consists of the following function displays: Multi-function Display

- Speedometer display
- Odometer display
- Gear position display



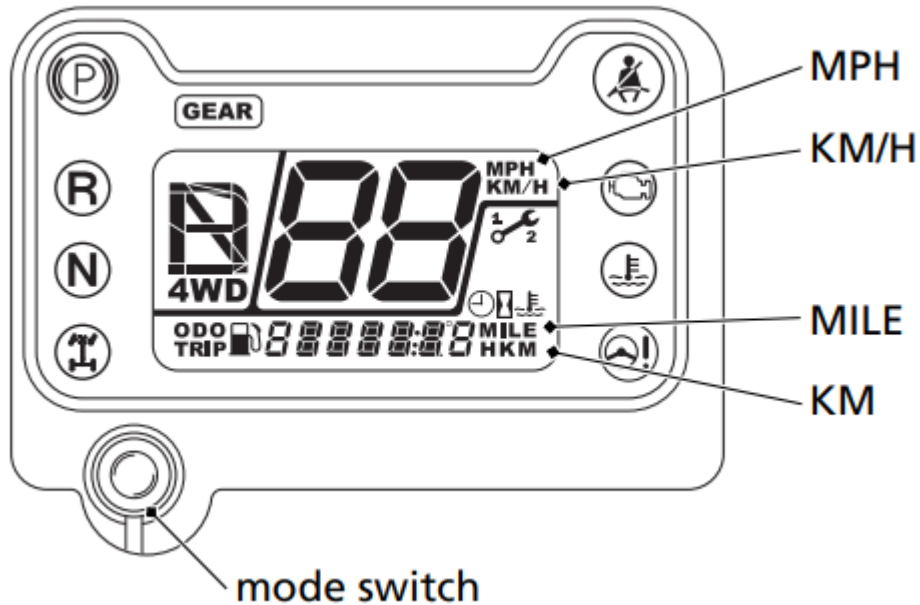
Speedometer Display

This display shows speed in miles or kilometers per hour.

Mileage Unit Change

The speedometer, odometer, tripmeter and maintenance tripmeter show in either “MPH” and “MILE” or “KM/H” and “KM”.

To change the mileage unit, press and hold the mode switch for more than 5 seconds in odometer mode (page 23) with the vehicle stopped.



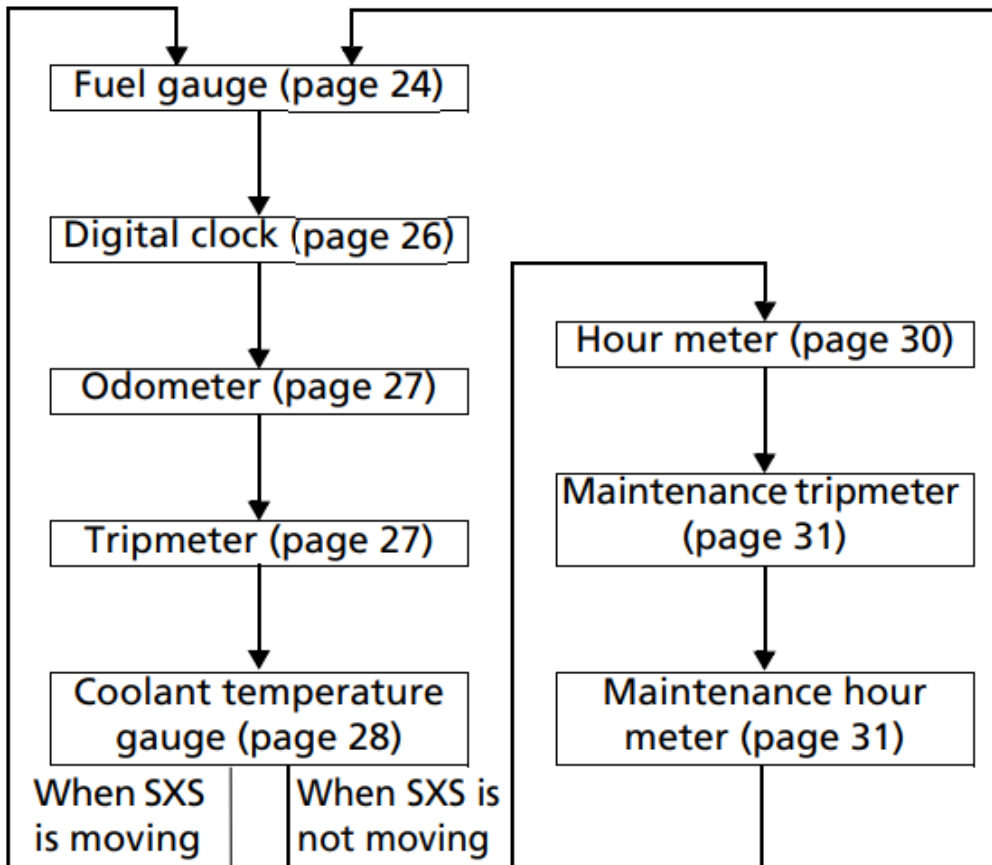
Speedometer Blinking

If the speedometer digits and seat belt indicator blink simultaneously, while you are driving, maximum vehicle speed will be limited to no more than 15 mph (24 km/h) by the seat belt speed limiting system (page 55).

Odometer Display

This display includes fuel gauge, digital clock, odometer, tripmeter, coolant temperature gauge, hour meter, maintenance tripmeter, and maintenance hour meter.

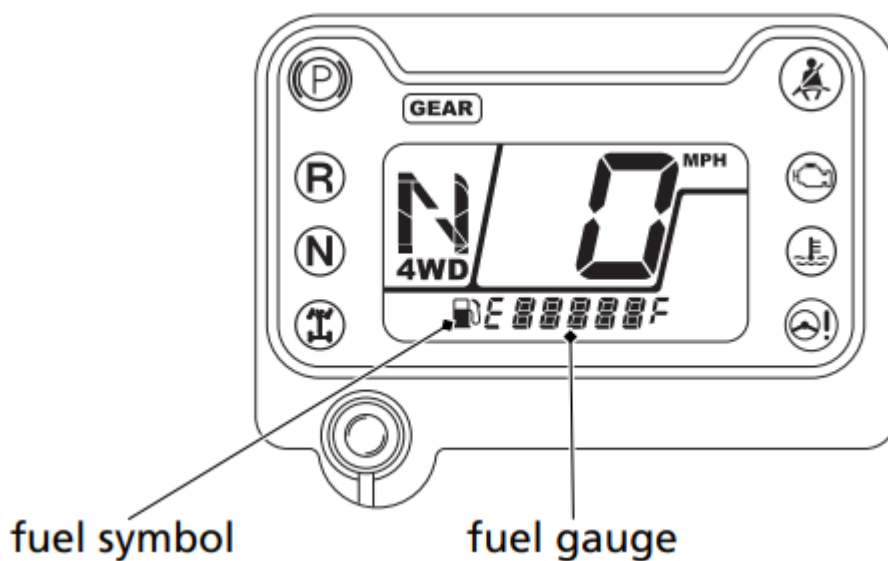
Each time you press the mode switch, mode will change as shown in the illustration



If there are unusual indications with your SXS, and mode switch is not pressed for 10 seconds, a message will automatically appear in the display

Fuel gauge

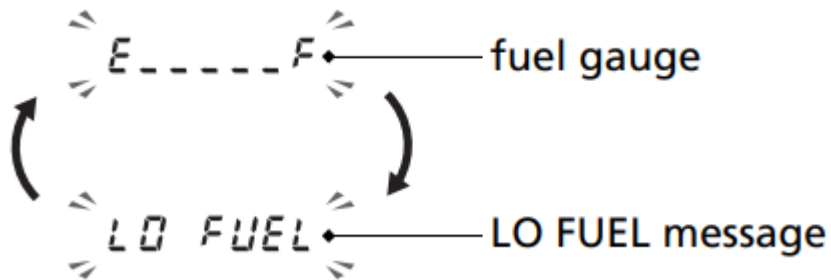
The fuel gauge shows the approximate fuel supply available in a graduated display with the fuel symbol. The fuel tank capacity is: **7.9 US gal (30 ℓ)**



Regardless of what mode the display is in, when the fuel level reaches only one segment remaining, the display will automatically switch to the fuel gauge display. You should refuel as soon as possible.

The amount of fuel left in the tank with the vehicle on a firm, level surface is approximately:
2.76 US gal (10.5 ℓ)

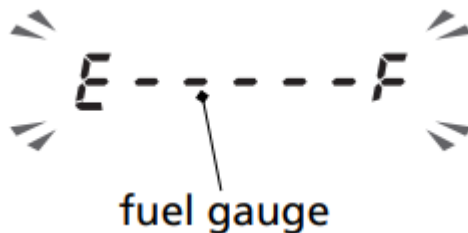
The fuel gauge and LO FUEL will begin to blink alternately when the fuel level decreases further.



Fuel gauge failure:

If the fuel system has an error, the fuel gauge will blink.

If this occurs, see your dealer as soon as possible.



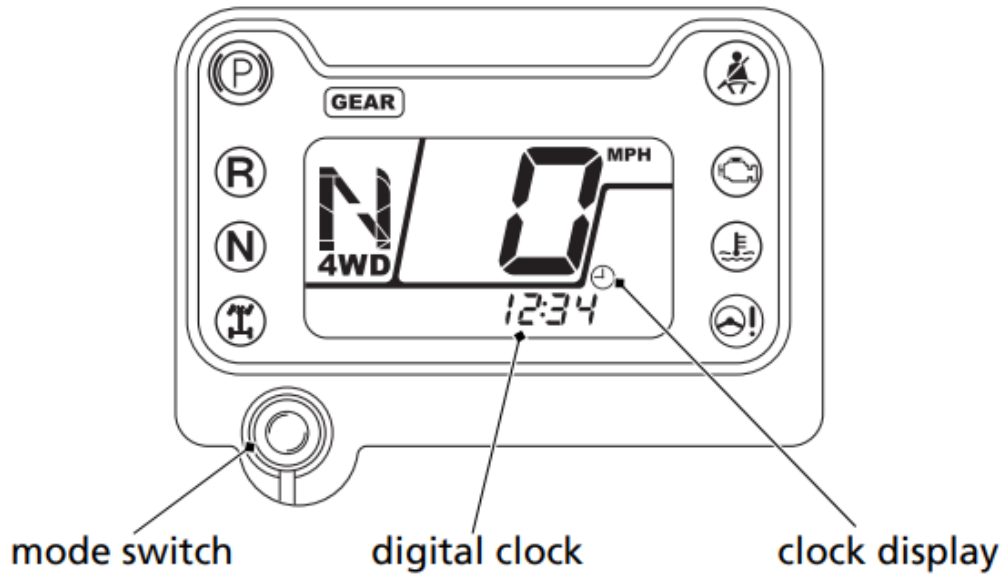
Digital clock

The digital clock shows the hour and minutes with the 12-hour clock display.

To set the time:

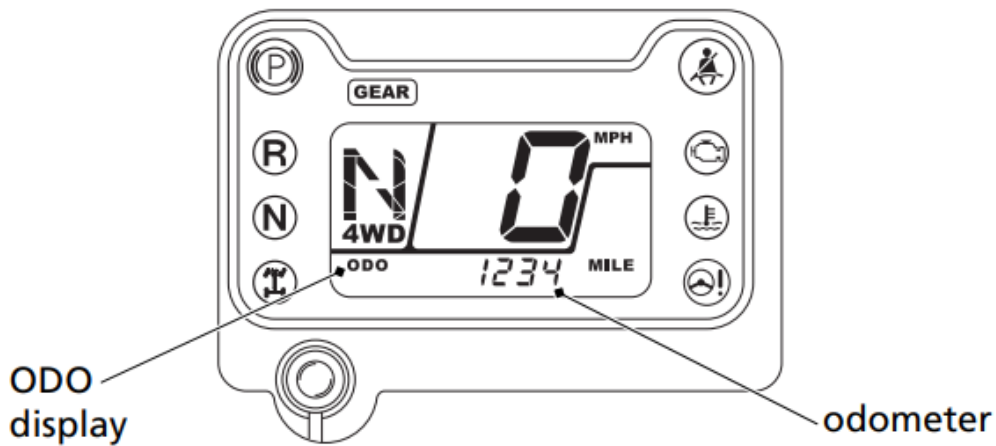
1. Turn the ignition switch to ON (I).
2. Press and hold the mode switch in the clock mode. The clock will start blinking.
3. Press and hold the mode switch until the desired time appears.
4. To complete setting the clock, press the mode switch, or turn the ignition switch OFF.





Odometer

The odometer shows the total miles or kilometers ridden with the ODO display. The odometer locks at 999,999 when the readout exceeds 999,999.

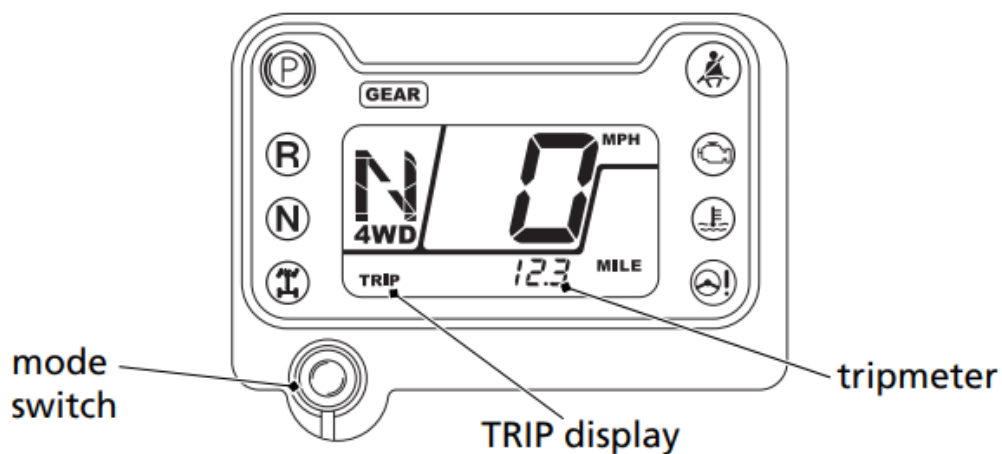


Tripmeter

The tripmeter shows the number of miles or kilometers ridden with the TRIP display, since you last reset the tripmeter. The tripmeter returns to 0.0 when the readout exceeds 999.9.

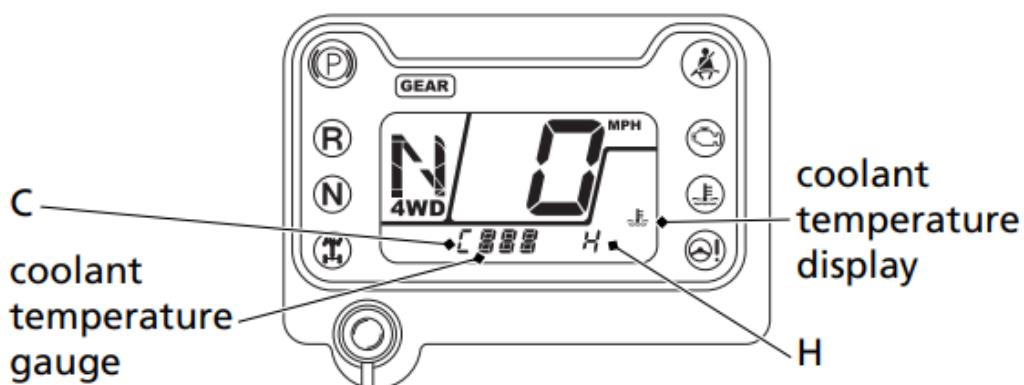
To reset the tripmeter, press and hold the mode switch with the display in the tripmeter mode.





Coolant temperature gauge

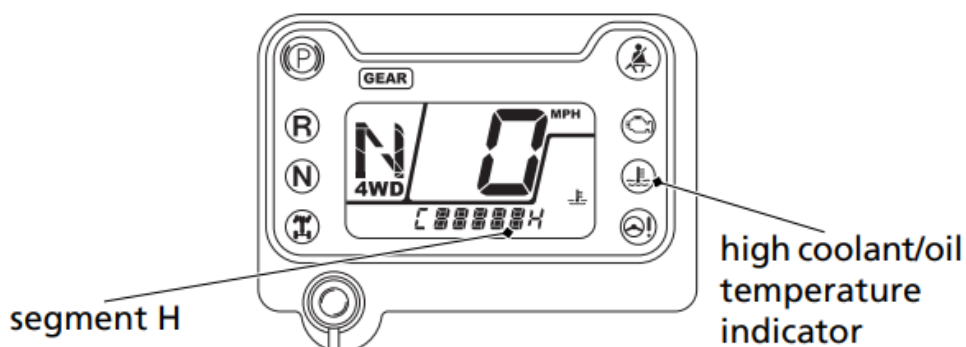
The coolant temperature gauge shows engine coolant temperature with the coolant temperature display. When the segment begins to move above the C (Cold) display, the engine is warm enough for the SXS to be ridden. The normal operating temperature range is within the section between the H and C displays.



If all sections of the coolant temperature gauge, including segment H and high coolant/oil temperature indicator are on (automatically appears in the display), stop the engine and check the reserve tank coolant level.

Read pages 216 - 217 and do not drive the SXS until the problem has been corrected.

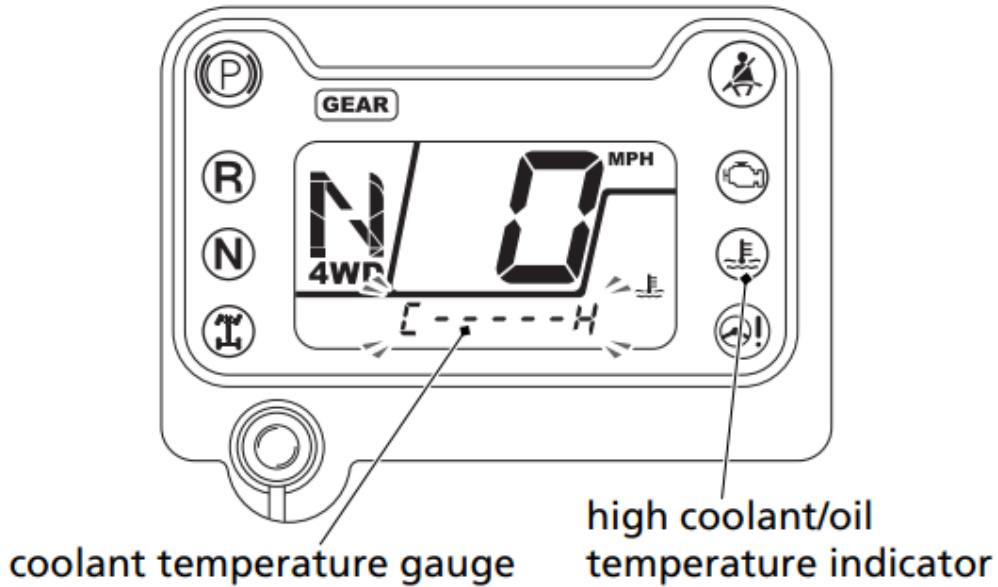
NOTICE: Continuing to ride with an overheated engine can cause serious engine damage.



Coolant temperature gauge failure:

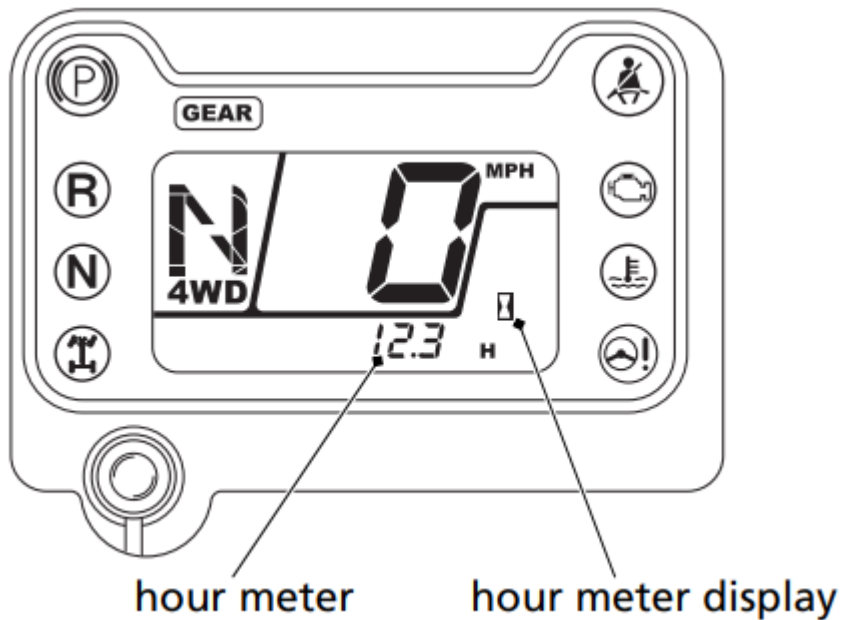
If the coolant temperature system has an error, the coolant temperature gauge will blink and appear in the display, and/or high coolant/oil temperature indicator will turn on.

If this occurs, see your dealer as soon as possible.



Hour meter

The hour meter display shows accumulated hours while the ignition is ON (q). The hour meter locks at 99,999.9 when the readout exceeds 99,999.9.



Maintenance minder indicator



The maintenance minder indicator appears in the display when the mileage or operating hours on your Honda SXS reaches the maintenance interval specified on the maintenance schedule (page 111).

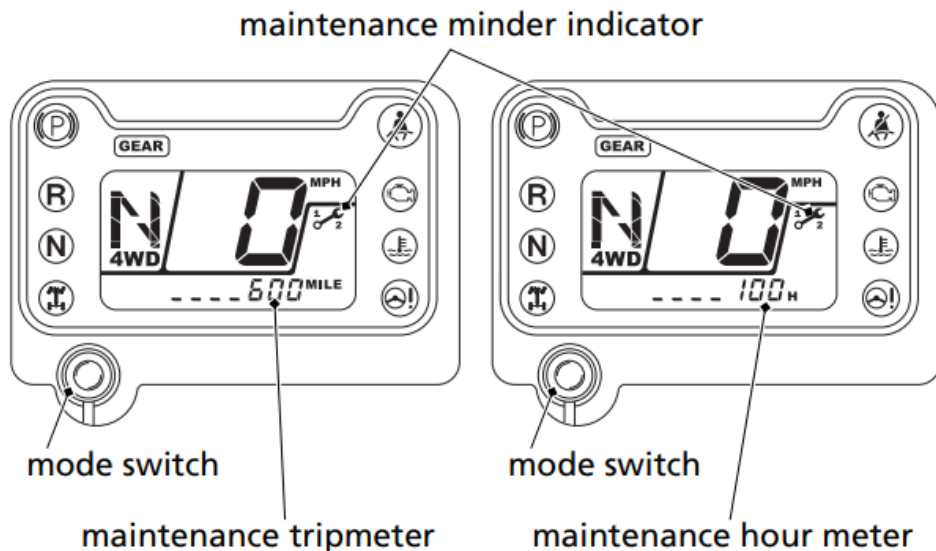
Reset the indicator after each scheduled maintenance is performed. If the scheduled maintenance is performed before the maintenance minder indicator appears, be sure to reset the maintenance minder after performing the scheduled maintenance.

Resetting the indicator:

To reset the indicator, press and continue to hold the mode switch and turn the ignition switch to ON (I). The indicator message will light up, and after 2 seconds will blink twice, the maintenance minder indicator is reset.

Also the maintenance tripmeter and maintenance hour meter will reset.

See more details about maintenance minder indicator on page 109.



Gear position display

Gear position indicator

The gear position indicator shows the gear position when the ignition switch is in the ON (I) position.

The indicator displays: N for neutral, R for reverse, and D for the drive.

(SXS700M2D/M4D only)

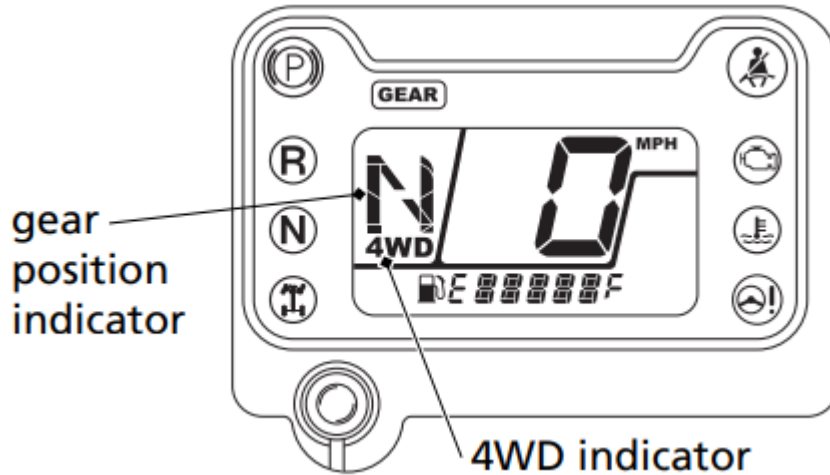
When the shift paddles are operated, the indicator displays the number of gear position (1,2 or 3).

“–” will be displayed on the gear position indicator when the transmission is not shifted into gear properly. Before driving, check that the gear position is properly displayed on the gear position indicator.

If the gear position indicator shows “-” and blinks, turn the ignition switch to the OFF (w) position, and then turn it back to the ON (q) position again. If the gear position indicator still shows “-” and blinks, see your dealer.

4WD indicator

This indicator will be on when the 4WD or 4WD diff lock mode engages (page 38).



Driver Controls

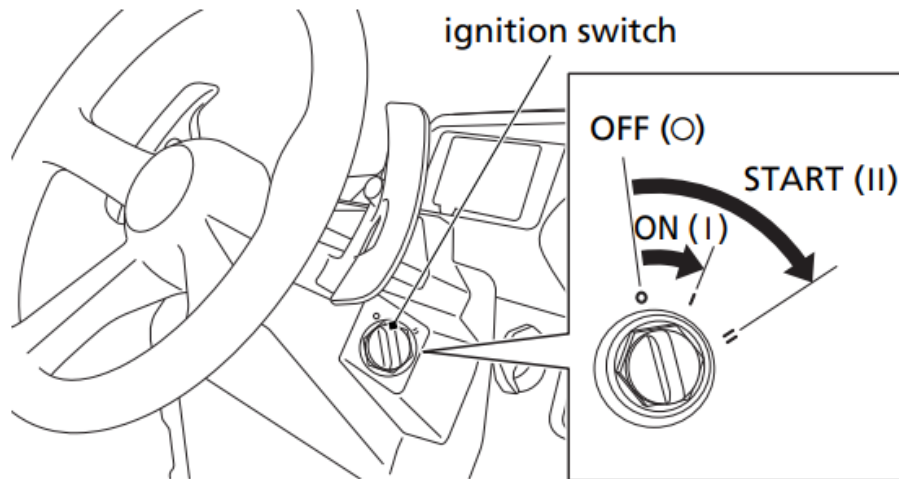
Ignition Switch

The ignition switch is a three-position, key-operated switch used to start and stop the engine.

OFF (I) — The engine and all electrical circuits are off. The key can be inserted and removed only when it is in this position.

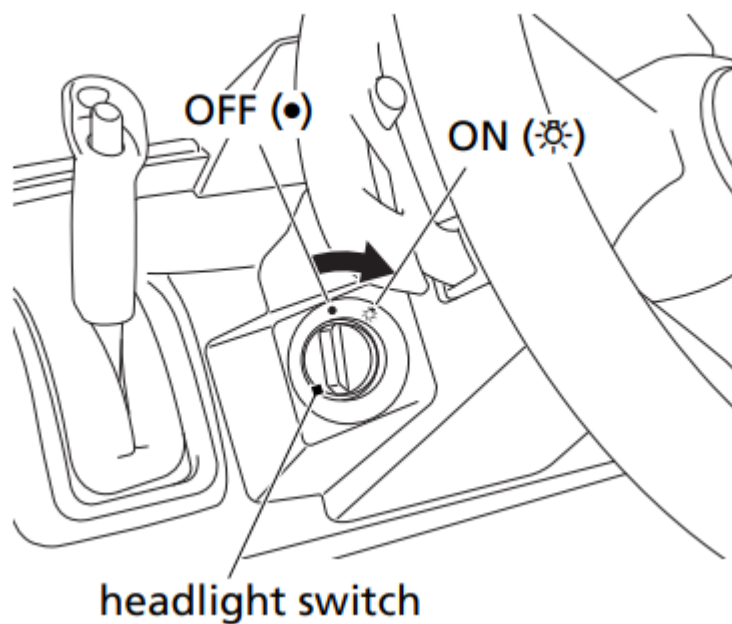
ON (O) — The electrical circuits are on. You can use the accessory power socket in this position.

START (II) — This position is used only to start the engine. The key will automatically return to the ON (I) position when you let go of it.



Headlight Switch

The headlight switch is located on the front console, to the left of the steering wheel. This switch turns the headlights and taillights on and off.

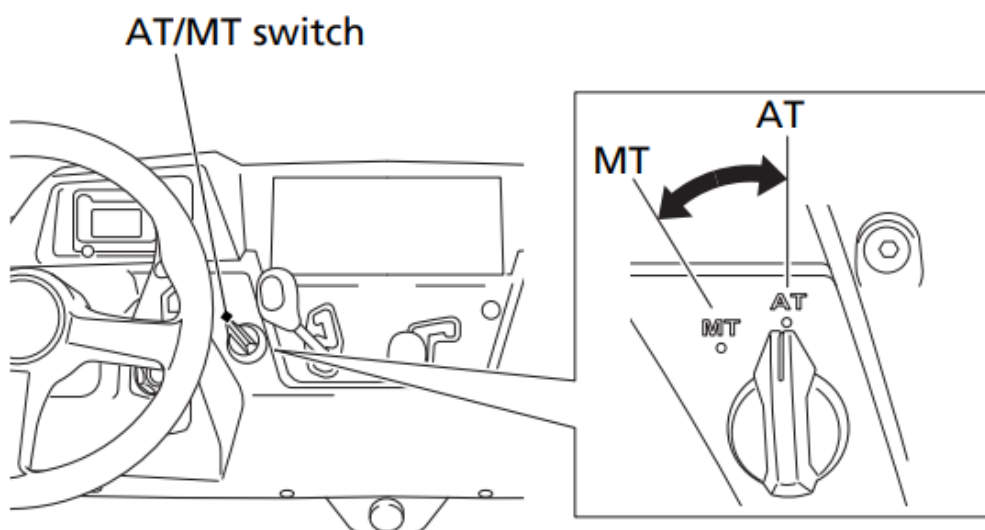


AT/MT Switch (SXS700M2D/M4D only)

The AT/MT switch is located to the left of the shift select lever.

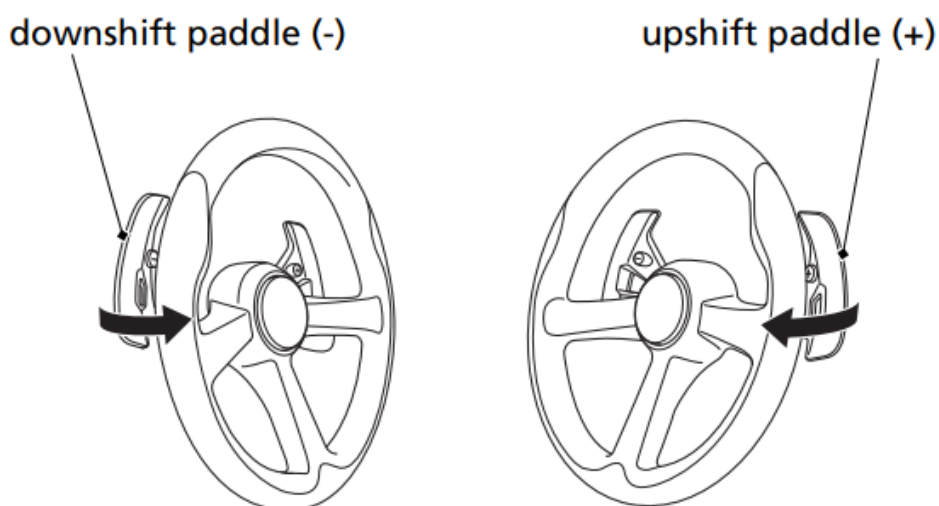
The AT/MT switch has two positions, AT (automatic shift mode) and MT (manual shift mode).

To select the transmission mode, turn the AT/MT switch to the desired position. See Shifting Gears page 86.



Shift Paddles (SXS700M2D/M4D only)

Your Honda SXS is equipped with a pair of shift paddles that are located behind the steering wheel.



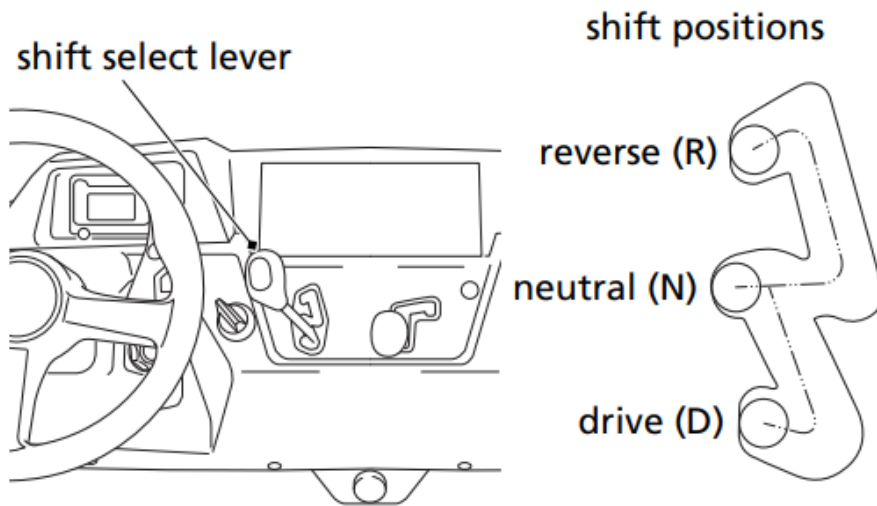
Pull the upshift paddle (+) to shift to a higher gear position and the downshift paddle (-) to shift to a lower gear position.

In MT mode, the shift paddles are used to change gears while driving the SXS.

In AT mode, you can drive the SXS without operating the shift paddles. You can also operate the shift paddles to temporarily change the gear position. See *Shifting Gears*, page 86.

Shift Select Lever

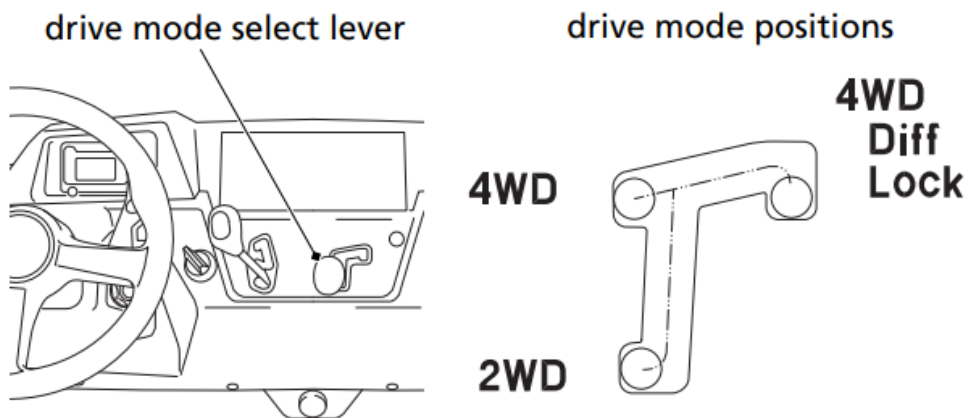
Your Honda SXS is equipped with an automatic transmission. The shift select lever, located to the right of the steering wheel, has three positions: drive (D), neutral (N), and reverse (R).



You should move the shift select lever only when the vehicle is stopped with your foot on the brake pedal and with the engine idling. Use a firm motion to select the appropriate gear. Have your vehicle checked by a dealer if you experience any shifting problems.

Drive Mode Select Lever

The drive mode select lever, located to the right of the shift select lever, has three drive mode positions: 2WD, 4WD and 4WD diff lock.



To check your present drive mode, look at the 4WD indicator and differential lock indicator.

2WD mode:

Both indicators will be off when the 2WD mode engages.

4WD mode:

The 4WD indicator will be on when the 4WD mode engages.

4WD Diff Lock mode:

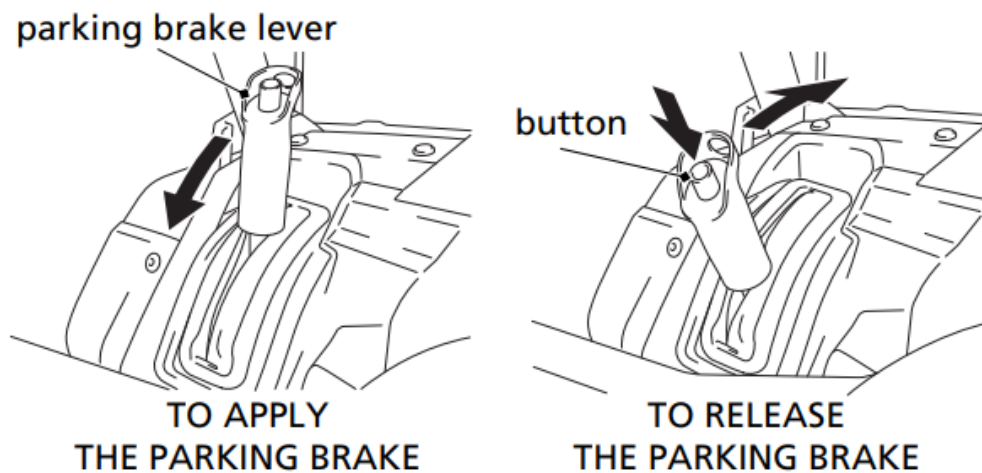
The 4WD indicator and differential lock indicator will be on when the 4WD diff lock mode engages.

You should change drive modes only when the vehicle is stopped and the engine is idling.

After changing the drive mode, drive several yards, making right and left turns, and make sure that indicators work properly. If the indicators do not go out or come on according to the drive mode position, see your dealer.

Parking Brake Lever

The parking brake lever is located to the left of the steering wheel. To apply the brake, pull the lever down fully. To release it, pull down slightly, push the button at the end of the lever, then push lever forward.



Your Honda SXS is equipped with doors to prevent branches, gravel, or other debris from getting inside the driver's compartment, and to keep the driver's and passenger's legs and feet inside the vehicle if your vehicle ever tips or overturns. Be sure all doors are securely closed before driving your Honda SXS, and never remove a door.

If a door is damaged or does not close securely, see your dealer for repair or replacement. Do not drive the Honda SXS with the doors open or removed.

SXS700M4/M4D only

Do not open the rear door while the cargo bed is raised. Opening the rear doors while the cargo bed is raised, will cause the seats to flip up unexpectedly.

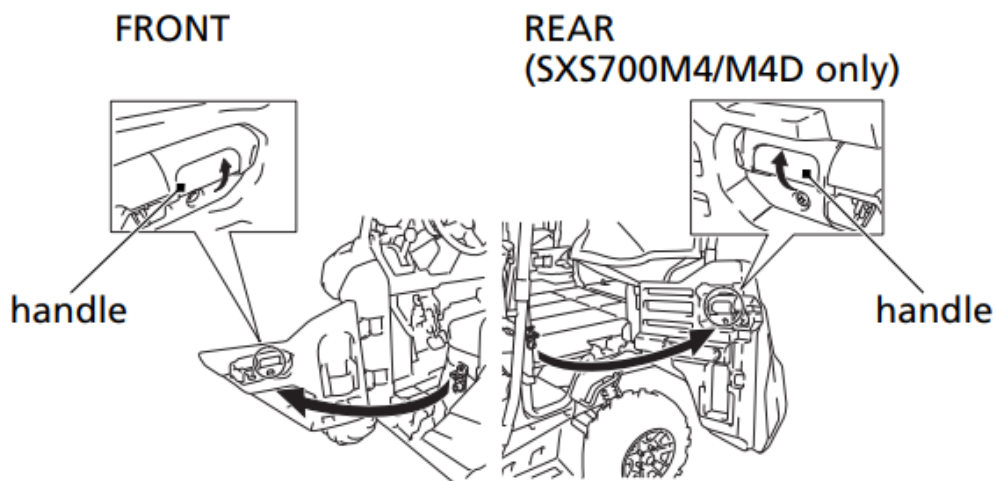
The left and right doors can be opened in the same manner.

Open

1. Pull up the handle.
2. Open the door.

Close

1. Close the door securely until the second latch click is heard.
2. Make sure the door is closed securely.



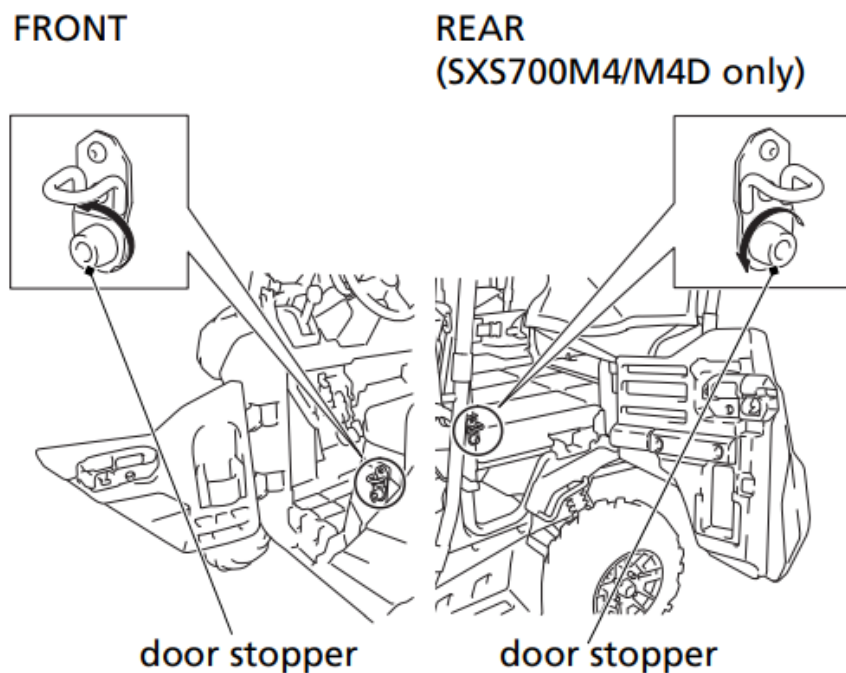
Doors

If the doors rattle when closed, turn the door stopper counterclockwise to adjust the doors. Each door has a double latching mechanism. Adjust the door stoppers so that it latches on the second click.

The left and right doors can be adjusted in the same manner.

Adjust

1. Open the door (page 41).
2. Turn the door stopper counterclockwise to extend it, and clockwise to retract it.
3. Make sure the door is closed securely until the second latch click is heard.



Seat Belts

Your Honda SXS is equipped with lap/shoulder seat belts in each seating position. A seat belt keeps you connected to the vehicle so you won't be thrown out during a crash or rollover. Together with a proper helmet, a seat belt is your best protection against serious injuries in any type of crash, so make sure you and your passenger(s) always buckle up before driving.

Of course, seat belts cannot completely protect you in every crash. But in most cases, seat belts can reduce your risk of serious injury

Seat Belt Speed Limiting System

When the driver's seat belt is not latched properly, the maximum vehicle speed will be limited by the seat belt speed limiting system.

When the driver's seat belt is not latched, the seat belt speed limiting system will:

- Limit the maximum vehicle speed to no more than 15 mph (24 km/h).
- Cause the seat belt indicator and speedometer to blink simultaneously.

To return the vehicle to normal operation the driver must:

1. Properly deploy and latch their seat belt.
2. Release the throttle for one second if the vehicle is moving.

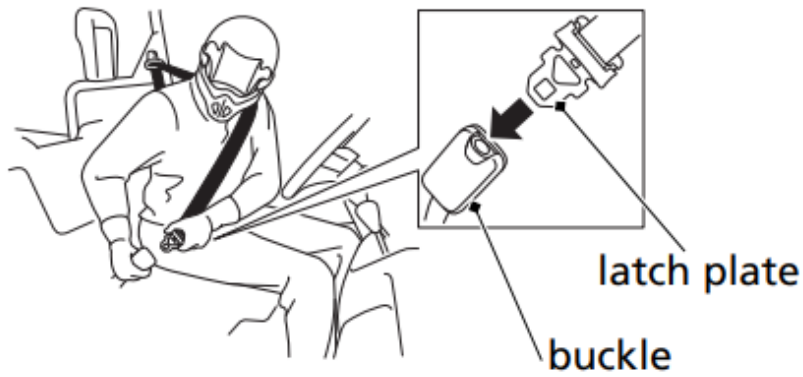
The speed limitation will be removed and seat belt indicator and speedometer will stop blinking after the driver follows this procedure and correctly deploys and fastens their seat belt.

To avoid speed limitations altogether, the driver should always deploy and fasten their seat belt (and require all passengers to be securely belted) before driving the vehicle and keep their seat belt fastened while underway. If the driver unlatches their seat belt while the vehicle is travelling at speeds greater than 15 mph (24 km/h), the vehicle speed will be limited to 15 mph or less until the driver's seat belt is deployed and properly latched and throttle is released for one second.

How you wear a seat belt also matters. For the best protection:

Front

1. Insert the latch plate into the buckle, then tug on the belt to make sure it is securely latched.



2. Check that the belt is not twisted, because a twisted belt can cause injuries.

3. Position the lap part of the belt as low as possible across your hips, then pull up on the shoulder part of the belt to make sure the lap part is snug. This keeps you connected to the vehicle and lets your strong pelvic bones take the force of a crash.

4. Make sure the shoulder part of the belt goes over your shoulder and rests against your chest.

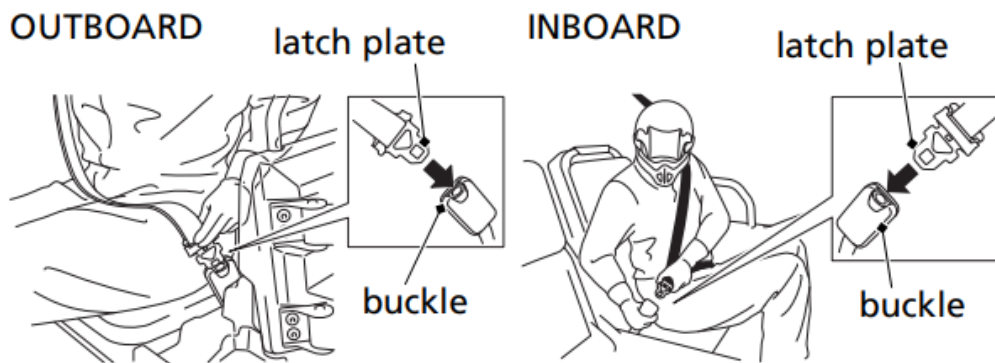


To unlatch a seat belt, press the red PUSH button on the buckle.

Rear (SXS700M4/M4D only)

1. Insert the end latch plate into the outboard buckle first.

2. Insert the middle latch plate into the inboard buckle, then tug on the belt to make sure they are both securely latched.



3. Check that the belt is not twisted, because a twisted belt can cause injuries.

4. Position the lap part of the belt as low as possible across your hips, then pull up on the shoulder part of the belt to make sure the lap part is snug. This keeps you connected to the vehicle and lets your strong pelvic bones take the force of a crash.

5. Make sure the shoulder part of the belt goes over your shoulder and rests against your chest.



To unlatch a seat belt, press the red PUSH button on the buckles.

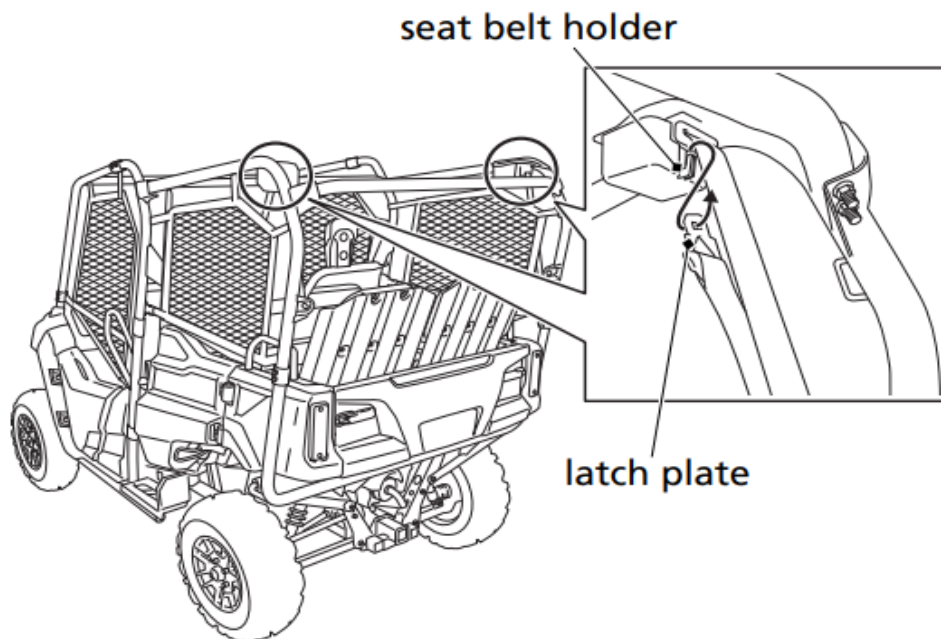
Rear Seat Belt Holders (SXS700M4/M4D only)

For the rear seat belts, there are seat belt holders to secure the seat belts when using the cargo bed.

How to secure the seat belt:

Hook the end latch plate of the rear seat belt to the seat belt holder.





Seat Belt Locking Mechanism

The seat belts in your Honda SXS are equipped with a belt locking mechanism.

The belt locking mechanism is in the holder of the latch plate. When the seat belt is subjected to intense forces during a crash or rollover, part of the holder locks the belt.

LOCK POSITION

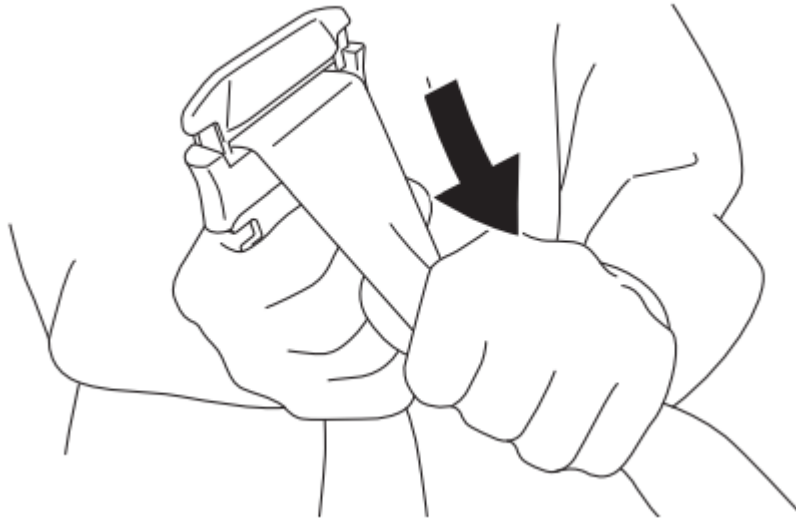


UNLOCK POSITION (ORDINARY USE)



Unlock

1. To unlatch a seat belt, press the red PUSH button on the buckle.
2. Hold the latch plate and one side of the belt, and pull the other side of the belt. Doing so unlocks part of the holder.



If you have been driving in an extremely muddy or dusty area, be sure to inspect your belt and remove any dirt or debris before letting the belt retract into the retractor. Failure to do so could clog the retractor and make it inoperable.

Each seat belt has an emergency locking retractor. In normal driving conditions, the retractor lets you move freely in your seat while keeping some tension on the belt. During a crash or rollover, the retractor automatically locks the belt to help restrain your body.

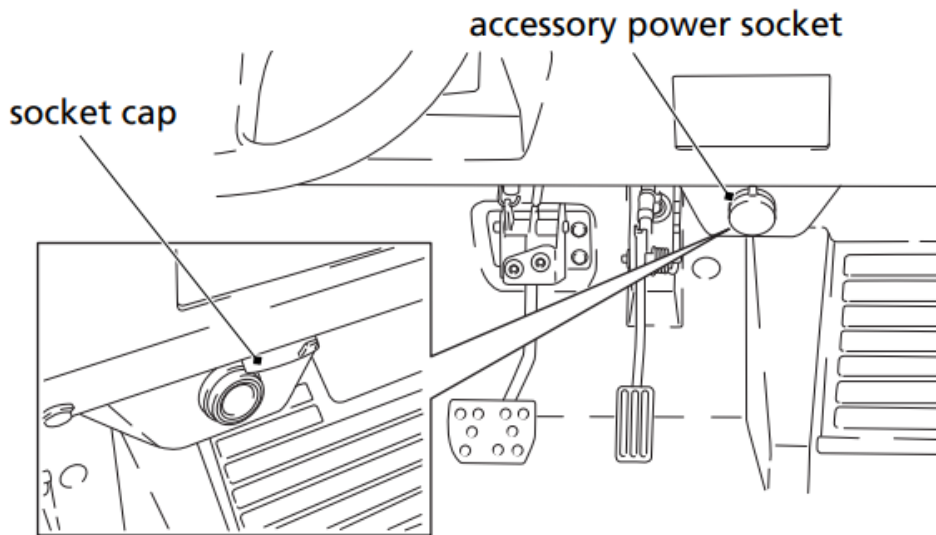
Do not put any accessories on a seat belt, as that may reduce the effectiveness of the belt and increase the chance of injury in a crash.

If a seat belt is worn in a crash, the seat belt assembly must be replaced by your dealer. A belt that has been worn during a crash may not provide the same level of protection in a subsequent incident. The dealer should check the retractor and replace it if needed.

Accessory Power Socket

The accessory power socket is located in the center of the lower dash. The socket is intended for 12-volt DC accessories rated for 120 watts (10 amps) or less. Exceeding the limit can blow the accessory socket fuse (see page 218).

The socket can be used to power such items as a trouble light, spotlight, CB radio, or cell phone, but not a heat-generating accessory, such as a car cigarette lighter.



To use the accessory power socket, the engine must be on and idling.

Remember to close the cap when you are finished using an accessory, and keep water or other fluids away from the socket.

Starting & Stopping the Engine

For safety, we recommend that you start the engine in a wellventilated area. If that is not practical, move the vehicle outdoors as soon as possible. The engine's exhaust contains carbon monoxide, a colorless and odorless gas that can cause illness and even death.

The starter motor will operate when the transmission is in neutral or the brake pedal is pressed.

You should do the following checks and adjustments before you drive your vehicle.

Before START:

1. Make sure the doors, side nets, tailgate and front hood are securely closed.
2. Make sure the cargo bed is securely lowered.
3. Check that any items you may be carrying are stored properly or fastened down securely.
4. Fasten your seat belt. Check that any passenger has fastened their seat belt as well.
5. When you start the engine, check the indicators in the instrument panel.

Starting the engine:

1. Apply the parking brake.
2. Make sure the shift select lever is in neutral. Press on the brake pedal.
3. To start the engine, without touching the accelerator pedal, insert the key and turn the ignition switch to the START (II) position.

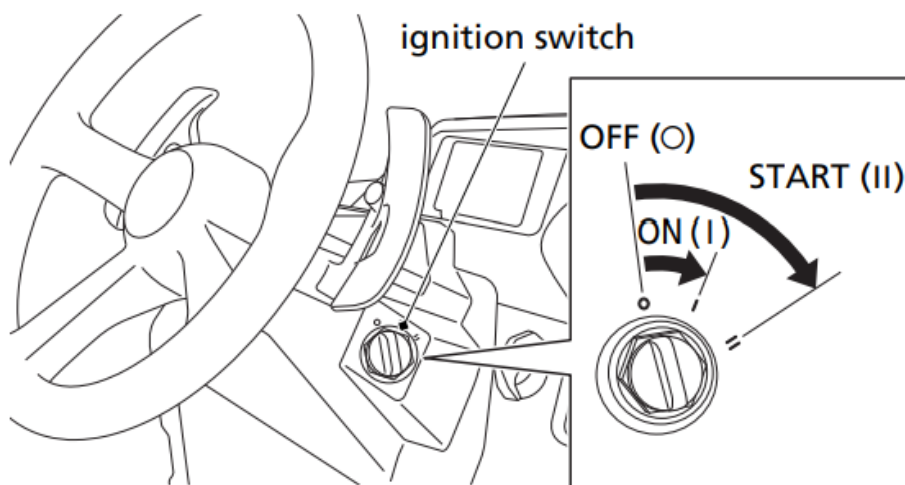
Immediately after the engine starts, let go of the key. The switch returns to the ON (I) position.

Do not hold the key in the START (II) position for more than 5 seconds at a time.

If the engine does not start after 5 seconds, turn the key back to the OFF (O) position and wait about 10 seconds before turning it to START (I) again.

4.If the engine does not start within 5 seconds, or starts but stalls right away, repeat step 3 with the accelerator pedal pressed halfway down. If the engine starts, release pressure on the accelerator pedal so the engine does not race.

5.If the engine fails to start, press the accelerator pedal all the way down, and hold it there while starting to clear flooding. If the engine still does not start, return to step 3.



To stop the engine, turn the ignition switch to the OFF (w) position. Remember to apply the parking brake and remove the key if you plan to leave the vehicle.

Is Your Vehicle Ready to Drive?

Before driving your Honda SXS, it's important to inspect the vehicle and correct any problem you find. A pre-drive inspection is a must, not only for safety, but because having a breakdown can be a major inconvenience.

If your vehicle has overturned or been involved in a crash, do not drive it until it has been inspected by your dealer. There may be damage or other problems you cannot see.

Pre-drive Inspection

Check the following items before driving your Honda SXS:

<i>Oil Level</i>	Check the engine oil level and add oil, if needed (page 132). Also check under the vehicle for leaks.
<i>Coolant</i>	Check the coolant level (page 144). If it is low, add a 50/50 mixture of silicate-free coolant and distilled water. Check for leaks
<i>Fuel Level</i>	Check the fuel gauge (page 24) and add fuel, if needed (page 127). Make sure the fuel fill cap is secure. Also check for the smell of fuel or fumes - if you smell any fuel, turn the ignition switch to OFF (w) immediately, and see your dealer.
<i>Brake Fluid</i>	Check the level (page 170). If it is near MIN, check the brake pads for wear (page 172). If the brake pads are within the specification, check for leaks in the braking system (page 169).
<i>Tires</i>	Check the air pressure of all tires and inflate them to the proper pressure (page 177). Also inspect the tires for damage or excessive wear (page 179). If necessary see your dealer.
<i>Wheels</i>	Make sure the wheel nuts are properly tightened and the wheels are not cracked or deformed (page 183).
<i>Driveshafts</i>	Inspect the driveshafts and boots for damage, tears, or leaks and see your dealer if any are found.
<i>Steering Gearbox and Boots</i>	Check the steering to make sure it turns smoothly in both directions. Check for any tears in the boots. If any tears are found, see your dealer.
<i>Underbody</i>	Check for and remove any debris stuck in the underbody; take extra care in your inspection if the vehicle was last driven in deep grass, brush, a wetland, or flooded area. Check for any visible dents or cracks. If any dents or cracks are found, see your dealer.
<i>Air Cleaner</i>	Inspect the air cleaner element (page 149) to insure it is clean and evenly oiled.
<i>Air Cleaner Housing Drain Tube</i>	Check for deposits in the drain tube. If necessary, clean the tube (page 152) and check the air cleaner housing.

<i>Suspension</i>	Check the condition of all suspension components. Be sure to look for bends or oil leaks in the cushion damper. Check for tears in the boots of the front arm ball joint.
<i>Lights</i>	Make sure the headlights, taillights, and brake lights are working properly.
<i>Controls</i>	Check that all driving controls, including the accelerator pedal, brake pedal, parking brake lever, drive mode select lever, and the shift select lever are operating smoothly
<i>Tie-rod Ends</i>	The wheels need to be lifted off the ground to correctly check the tie-rod ends, so it cannot be done in the pre-drive inspection. To have the tie-rod ends properly inspected, see your dealer.
<i>Cargo</i>	Be sure items in the cargo bed are within the cargo limit and are properly secured to prevent shifting (pages 79, 80).
<i>Seat Belts</i>	<p>Make sure all seat belts are in good condition and operate properly. The seat belts must move smoothly when pulled out, and retract on their own when released.</p> <p>The latch plates should click securely into the buckles and release when the release buttons are pushed firmly.</p>
<i>Side Nets</i>	Make sure all side nets and their mounting hardware are in good condition and that they latch and tighten securely.
<i>Exhaust System</i>	Make sure no materials or debris are sticking to, or accumulating around, the exhaust system. If any such debris is found, remove it so there's no chance for it to catch on fire. Start the engine and listen for any leaks.

NOTICE

Exhaust system and catalyst operate at very high temperatures. Accumulated debris and vegetation that contact the exhaust/ catalyst can catch on fire.

Always conduct a pre-drive inspection and remove accumulated debris.

Remember to take care of any problem you find or have your dealer correct it before you drive your Honda SXS.

Taking Care of the Unexpected

General Guidelines

Keeping your Honda SXS well-maintained is the best way to reduce the possibility of having a problem while driving. However, problems can arise even with well-maintained machines.

Remember to take along your owner's manual, the tool kit that came with your Honda SXS, and any other items (such as tire repair supplies and additional tools) that might help you solve a problem on your own.

If something goes wrong during a drive, the first thing to do is stop as soon as you safely can. Do not continue driving if you have a flat tire, or you hear an unusual noise, or your Honda SXS just doesn't feel right. If you continue driving, you could cause more damage and endanger your own safety.

After stopping, take time to assess the situation. Carefully inspect your Honda SXS to identify the problem, then consider your options before you decide what to do.

If a problem is relatively minor and you have the tools, supplies, and skills to make a permanent repair, you may be able to fix it on the trail and continue driving.

When a problem is more serious — or you don't have the tools, supplies, experience, or time to deal with it — you need to choose the safest way to get yourself and your Honda SXS back home.

Should you ever have a problem while driving, please follow these guidelines:

- Always put personal safety first.
- Take time to assess the situation and your options before deciding what to do.
- If the problem is relatively minor and you have the tools, supplies, and skills to make a temporary repair, be sure to have permanent repairs made as soon as possible.
- Do not continue driving if you are hurt or your Honda SXS is not in safe driving condition.

Additional recommendations for specific problems follow.

If Your Engine Quits or Won't Start

Proper operation and maintenance can prevent starting and engine performance problems. In many cases, the cause of the problem may be a simple operational oversight.

If you have a problem starting the engine — or experience poor engine performance — the following information may help you. If you can't correct the problem, see your dealer.

If your SXS won't start, listen as you turn the ignition key to the START (p) position. If you don't hear the starter motor turning, refer to the Starter motor doesn't operate symptom. If you can hear the starter motor working normally, refer to the Starter motor works, but the engine won't start symptom.

SYMPTOM: Starter motor doesn't operate.	
POSSIBLE CAUSE	WHAT TO DO
transmission not in neutral	Shift into neutral or press on the brake pedal.
blown fuse	Replace with a new fuse of the same rating (page 218).
battery lead loose	Tighten the battery lead.
low battery	Charge the battery (page 189). If charging doesn't help, see your dealer.
faulty starter motor	If all possible causes are negative, the starter motor may be faulty. See your dealer.

SYMPTOM: Starter motor works, but the engine won't start.	
POSSIBLE CAUSE	WHAT TO DO
out of fuel	Fill the fuel tank.
flooded engine	See starting the engine step 5 (page 85).
loose or unconnected spark plug caps	Install the spark plug caps securely. If the engine still won't start, see your dealer
loose battery cables	Tighten the battery terminal bolts.
weak battery	Charge the battery (page 189). If charging doesn't help, see your dealer.

SYMPTOM: Engine starts, but runs poorly.	
POSSIBLE CAUSE	WHAT TO DO
high coolant/oil temperature	Check the high coolant/oil temperature indicator. Refer to If the High Coolant/Oil Temperature Indicator Lights, page 216.
runs erratically, misfires	May damage catalytic converter. See your dealer.
blubbers (rich fuel mixture)	See your dealer.
sooty exhaust (rich fuel mixture)	See your dealer.
detonates or pings under load	If applicable, switch to the recommended octane gasoline (page 126) or change your brand of gasoline. If the problem persists, see your dealer
afterfires (backfires)	May damage catalytic converter. See your dealer.
pre-ignition (runs on after ignition switched OFF)	May damage catalytic converter. See your dealer.

SYMPTOM: Engine starts, but runs poorly or dies when hot.	
POSSIBLE CAUSE	WHAT TO DO
poor or inadequate fuel flow due to clogged fuel filter	See your dealer. (ensure clean fuel supply)

If the Transmission Is Not Functioning Properly

When the automatic transmission is not shifting properly, the PGM-FI malfunction indicator lamp (MIL) lights and the gear position indicator will blink.

See your dealer to check and restore the automatic transmission

If the PGM-FI malfunction indicator lamp (MIL) lights and the gear position indicator blinks while driving, perform the following:

1. Stop the SXS.

2. Turn the ignition switch to the OFF (O) position.
3. After the engine stops, turn the ignition switch to the ON (I) position.
4. Check the PGM-FI malfunction indicator lamp (MIL) and gear position indicator.

When the PGM-FI malfunction indicator lamp (MIL) and the display on the gear position indicator return to normal:

You may drive the SXS as usual after restarting the engine.

However, we urge you to have your SXS inspected by your dealer.

When the PGM-FI malfunction indicator lamp (MIL) is lit and the gear position indicator is blinking:

Restart the engine; drive the SXS to a location where it can be loaded and transported to your dealer.

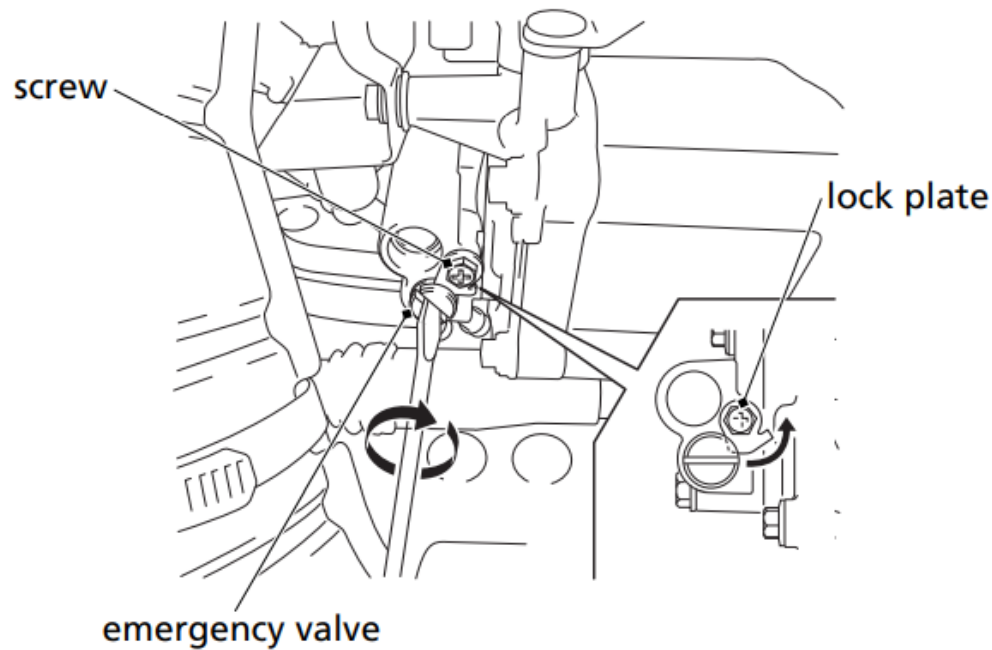
If the Transmission Is Not Functioning Properly

The vehicle does not move:

If your Honda SXS won't move, it is possible the transmission is locked. Use the following procedure to unlock the transmission.

1. Shift the shift lever to the neutral (N) position.
2. Apply the parking brake.
3. Turn the ignition switch to the OFF (O) position.
4. Loosen the screw and release the lock plate
5. Turn the emergency valve all the way in. With the engine running, your Honda SXS will move forward slowly at idle. Tighten the screw and the lock plate.
6. See your dealer as soon as possible.

LEFT SIDE OF FRONT CRANKCASE



If You Have a Flat Tire

How you handle a flat tire on the trail depends on how serious the tire damage is, and what tools and supplies you have with you.

If you have a slow leak or a minor puncture, use the plug method to make a temporary repair. (The plug method is applied from the outside of the tire and is the same as that for conventional tubeless tires.)

A plug-type repair kit, available at most auto parts stores or service stations, provides a plug, an installation tool, tire cement, and an instruction sheet. Follow the instructions provided with the repair kit to make a temporary repair.

As soon as possible, have the tire permanently repaired by your dealer.

Any tire that cannot be repaired should be replaced.

Whenever the Honda SXS is to be operated far from service facilities or available transportation, we recommend that you carry a tire pump and a repair kit with the vehicle.

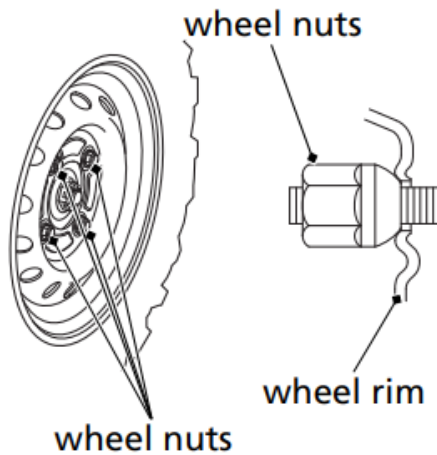
If the leak is more serious, or a temporary repair doesn't hold, the tire must be replaced. The tire will also need to be replaced if it is damaged (page 179). Replacing a tire involves removing and reinstalling the wheel (page 214).

If you are unable to repair a flat tire on the trail, you will need to send for help. We strongly recommend that you do not try to drive with a flat tire. The Honda SXS will be hard to handle, and if the tire comes off the rim, it may lock up the wheel and cause you to crash or overturn.

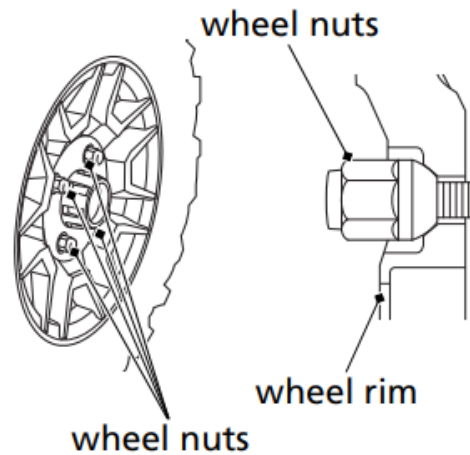
Emergency Wheel Removal/Installation

Refer to Safety Precautions on page 107.

SXS700M2/M4 (Steel wheel model)



SXS700M2D/M4D (Aluminum wheel model)



Removal

1. Park your Honda SXS on a firm, level surface.
 2. Loosen — but do not remove — the wheel nuts.
 3. Raise the front (or rear) wheels off the ground (page 125).
 4. Remove the wheel nuts.
 5. Remove the wheel.
- Avoid getting grease, oil, or dirt on the disc or pad surfaces when removing and installing each wheel. Any contamination can cause poor brake performance or rapid pad wear after reassembly

Installation

1. Thoroughly clean hub and wheel.
2. Position the wheel. 3.
3. Position the wheel nuts so that the tapered sides face the wheel rim.
4. Hand-tighten the wheel nuts on the wheel, then lower the Honda SXS to the ground before tightening the nuts in a crisscross (rather than circular) pattern to the specified torque:

SXS700M2/M4 (Steel wheel model)

98 lbf-ft (133 N·m, 13.6 kgf·m)

SXS700M2D/M4D (Aluminum wheel model)

80 lbf-ft (108 N-m, 11 kgf-m)

If a torque wrench was not used for installation, see your dealer as soon as possible to verify proper assembly. Improper assembly may lead to loss of control and braking capability.

If the High Coolant/Oil Temperature Indicator Lights

Normally, the high coolant/oil temperature indicator will only light momentarily when you turn the ignition ON (q). Occasionally, it may flicker at or near idling speed.

High coolant/oil temperature may be caused by restriction of airflow to the radiator (such as mud caked on the radiator), extended idling, an oil leak, a coolant leak, a low oil level, a low coolant level, or extended operation under adverse conditions.

If the all sections of the coolant temperature gauge including segment H and high coolant/oil temperature indicator are on while you're driving, don't ignore it. Pull safely to a stop. Stop the engine as soon as it's safe to do so, and let it cool.

NOTICE: Continuing to drive with high coolant temperature or an overheated engine can cause serious engine damage.

- A steaming engine indicates a coolant leak. Shut the engine off and wait until the steaming stops. Look for a leak, but don't touch the engine or radiator system. Let everything cool off first.
- Check for any restriction of airflow to the radiator.
- If there's no obvious problem, leave the engine on so the fan and coolant circulating system can continue working. Monitor the coolant temperature gauge and high coolant/oil temperature indicator. The coolant temperature gauge and indicator may return to normal after a brief stop with no load on the engine.
- Check the radiator fan. If the fan is not working, turn the engine off. Open the fuse box (page 219) and check the radiator fan fuse. If the fuse is blown, replace it with the proper (same rating) spare fuse. Start the engine. If the all sections of the coolant temperature gauge including segment H and high coolant/oil temperature indicator are stay on, turn the engine off. If the radiator fan is working, visually check the coolant level in the reserve tank, located under the front hood. It isn't necessary to touch the radiator system.
- If the reserve tank is low or empty, don't drive without adding coolant (page 144). After adding coolant, turn the engine on and check the coolant temperature gauge and high coolant/oil temperature indicator.

If the indicator doesn't turn off, do not drive. The engine needs repair.

Transport your Honda SXS to a dealer (page 198).

If the temperature drops to normal, check the coolant level. If it has gone down, add more coolant.

- Check for an oil leak.
- Check the oil level. If necessary, add the recommended oil (page 130) to the upper level mark. If you must leave your Honda SXS to get oil, secure it as much as possible.
- Start the engine, and check that the coolant temperature gauge and high coolant/oil temperature indicator are normal.

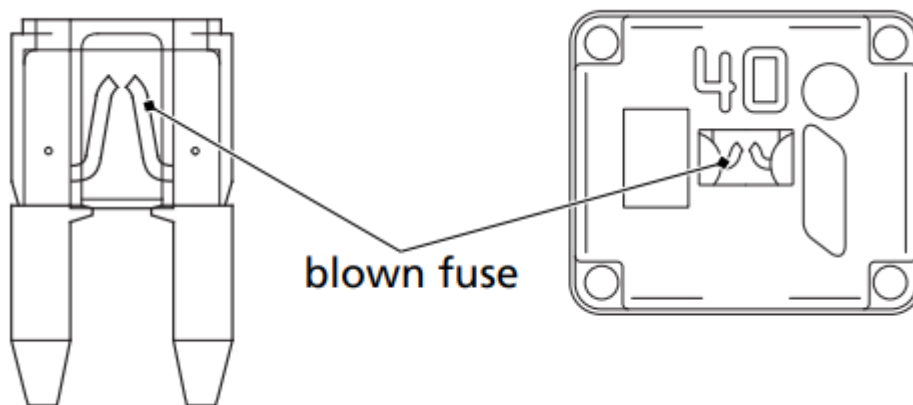
If the coolant temperature gauge and indicator return to normal, resume driving. If there is a leak, do not drive the SXS until the leak is repaired by your dealer.

If there's a mild coolant leak, you can drive for a while, carefully watching the coolant temperature gauge and indicator. Be prepared to stop and add more coolant or water. If the leak is bad, transport your Honda SXS to your dealer (page 198).

If a Fuse Blows

All of the electrical circuits on your Honda SXS have fuses to protect them from damage caused by excess current flow (short circuit or overload).

If something electrical on your Honda SXS stops working, the first thing you should check for is a blown fuse.



Check all the fuses before looking elsewhere for another possible cause of the problem. Replace any blown fuses and check component operation.

The main fuse and the electric power steering (EPS) fuse are located in the battery compartment under the seat.

The circuit fuses are located in fuse box under the front hood.

Recommended Fuses

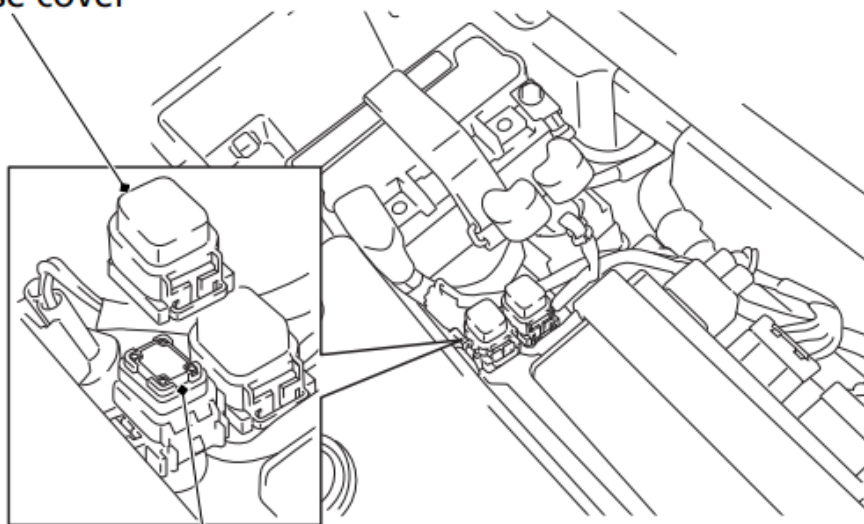
main fuse	40 A
circuit fuses	15 A x 4, 10 A x 2
electric power steering (EPS) fuse (SXS700M2D/M4D only)	40 A

Main Fuse Access

1. To prevent an accidental short circuit, turn the ignition switch OFF (O) before checking or replacing the fuses.
2. To access the main fuse, remove the front seat (page 124) and right side rubber dust cover.
3. Remove the fuse cover.
4. Pull the main fuse out. If it is blown, install the spare main fuse. Spare main fuse is located in the fuse box cover (page 220).

UNDER SEAT

fuse cover



main fuse

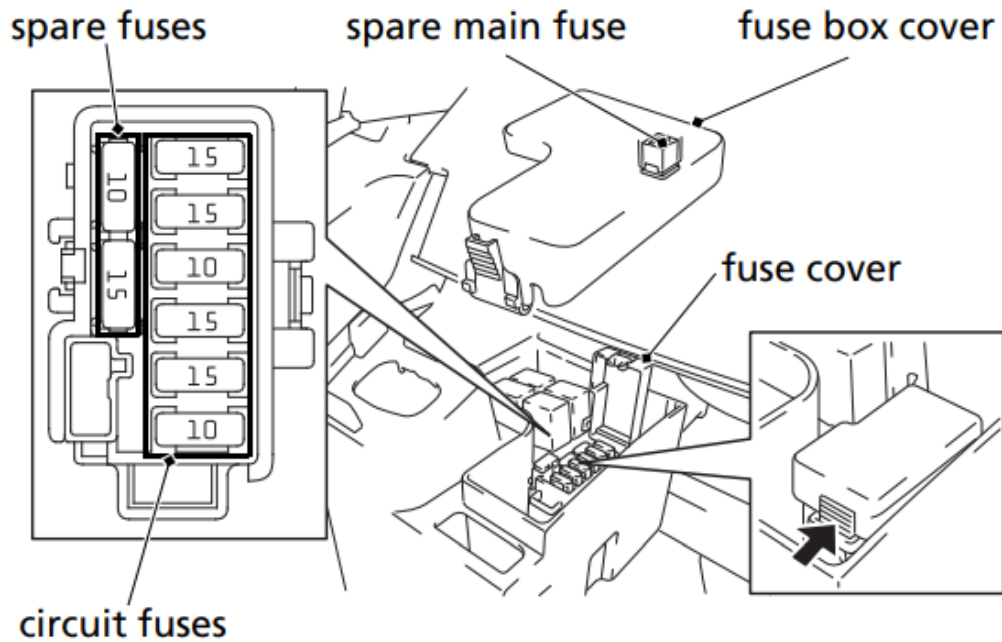
Circuit Fuse Access

5. To access the circuit fuse, remove the front hood (page 121).
6. Remove the fuse box cover, then open the fuse cover.
7. To check or replace a circuit fuse, pull the old fuse out. If the fuse is blown, replace it with a spare fuse of the same rating.

If you do not have a replacement fuse with the proper rating for the circuit, install one with a lower rating.

8. Install the fuse cover and fuse box cover.

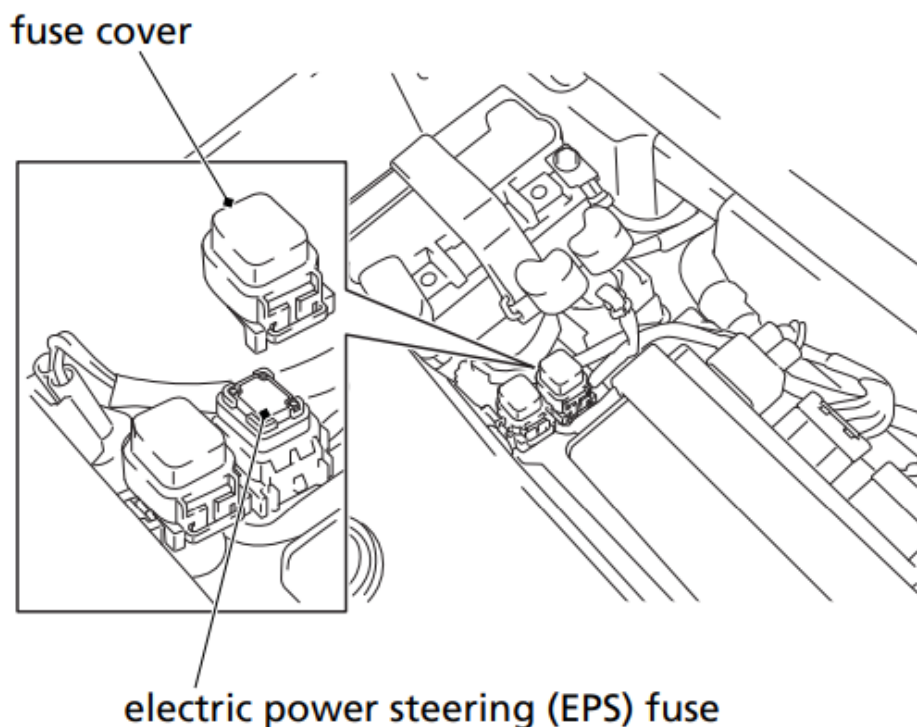
9. Install the front hood.



Electric Power Steering (EPS) Fuse Access (SXS700M2D/M4D only)

1. Turn the ignition switch to OFF (w) before checking the fuse.
2. Remove the front seat (page 124) and right side rubber cover.
3. To access the EPS fuse, remove the fuse cover. If the EPS fuse is blown, see your dealer for this service.
4. Reinstall the right side rubber cover and front seat.

UNDER SEAT



If you do not have a spare fuse and you cannot drive the Honda SXS without fixing the problem, take a fuse of the same rating or a lower rating from one of the other circuits that you can do without temporarily.

If you replace a blown fuse with a spare fuse that has a lower rating, replace the fuse with the correct rating as soon as you can. Also remember to replace any spare fuses that were installed.

If the replacement fuse of the same rating burns out in a short time, there is probably a serious electrical problem on your Honda SXS. Leave the blown fuse in that circuit and have your Honda SXS checked by your dealer.

If You Crash

Personal safety is your first priority after a crash. If you or anyone else has been injured, take time to assess the severity of the injuries and whether it is safe to continue driving. If you cannot drive safely, send someone for help. Do not drive if you will risk further injury.

If you decide that you are capable of driving your SXS safely, first evaluate the condition of your SXS. If the engine is still running, turn it off and look it over carefully; inspect it for fluid leaks, check the tightness of critical nuts and bolts securing such parts as the steering wheel, control levers, brakes, and wheels.

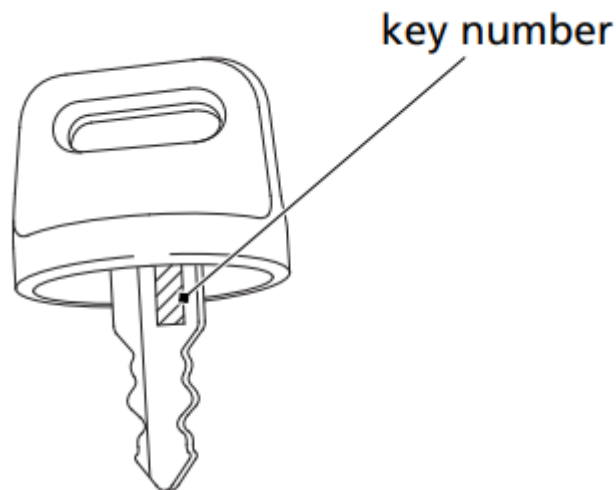
If there is minor damage, or you are unsure about possible damage but decide to try driving the Honda SXS back to your base, drive slowly and cautiously.

Sometimes, crash damage is hidden or not immediately apparent. When you get home, thoroughly check your Honda SXS and correct any problems you find. Also, be sure to have your dealer check the frame suspension, seat belts, and occupant protective structure after any serious crash.

If You Lose Your Key

Be sure to record your key number. Store the spare key and recorded key number in a safe location. You'll need this number to have a duplicate key made.

If you lose your key and aren't carrying a duplicate, either get your spare or have one made. If you don't know your key number, call the dealer where you purchased your Honda SXS. They may have it listed in their records. If they don't, transport your Honda SXS to them or the nearest dealer. The dealer will probably have to remove the ignition switch assembly to find the key number so they can make a key for you.



If the Battery Is Low

If the battery is low, the starter motor doesn't operate or works poorly, and you can't start the engine.

Jump starting your Honda SXS should be avoided.

Instead, the battery should be removed and recharged (page 189). If you can't charge the battery or it appears unable to hold a charge, contact your dealer.

WARNING: Battery posts, terminals and related accessories contain lead and lead compounds. Wash your hands after handling.

However, when there is no option other than jump starting, follow the instructions given below.

Use a battery that is the same as the one in the vehicle or an equivalent.

1. To prevent an accidental short circuit, turn the ignition switch OFF (w).
2. Remove the front seat (page 124) and right side rubber dust cover.

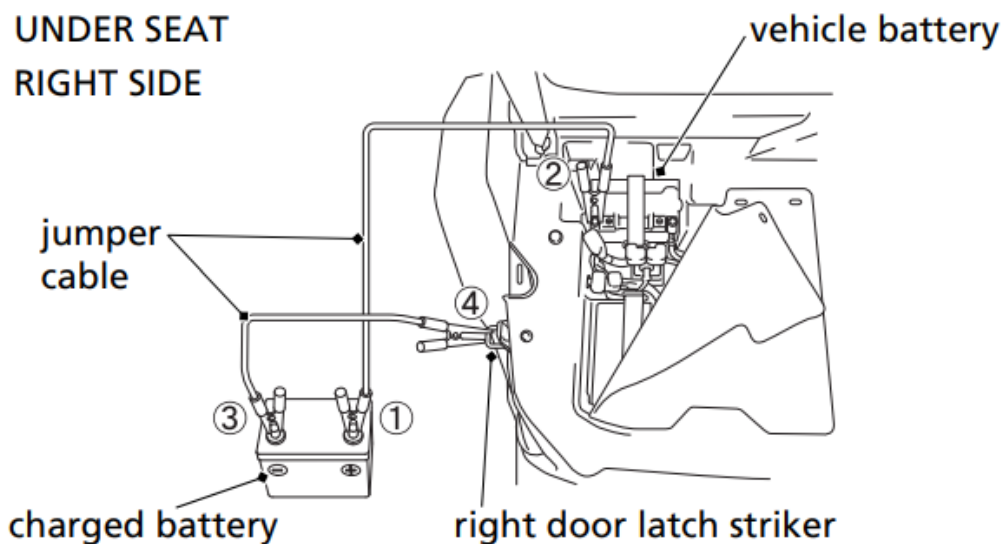
3. Using a fully charged 12-volt battery, connect the positive (+) side of the jumper cable to the charged battery, and connect the positive (+) side on the other end of the jumper cable to the positive (+) terminal of vehicle battery.

4. Connect the negative (-) side of the jumper cable to the charged battery, and connect the negative (-) side on the other end of the jumper cable to the front right door latch striker.

5. After starting the engine, remove the negative (-) sides of the jumper cable from the vehicle and the battery. Then remove the positive (+) sides of the jumper cable from the vehicle battery and the charged battery.

6. Close the rubber dust cover and install the front seat.

- Do not let the positive (+) side of the jumper cable touch on the negative (-) terminal.
- If the jumper cable is connected to the battery with the polarity reversed, the battery can explode or the electrical system will be seriously damaged.



If a Component Fails

The brake lines, control cables, and other components can be damaged as you drive in dense brush or over rocky terrain. Making a trailside repair depends on how serious the damage is and what tools and supplies you have with you.

- If any component in the brake system is damaged, you may have reduced or limited stopping power. If you decide to continue driving back to your base, do so cautiously and at a very low speed.
- If you damage the accelerator cable or other critical component, your Honda SXS may be unsafe to drive. Carefully assess the damage and make any repairs that you can. But if there is any doubt, it's best to be conservative and safe.

If the Vehicle Speed Does Not Exceed 15 mph (24 km/h)

If the driver's side seat belt is not latched properly, the maximum vehicle speed will be limited to no more than 15 mph (24 km/h) by the seat belt speed limiting system (page 55).

Also the seat belt indicator and speedometer digits blink.

Make sure that the driver's side seat belt is latched properly. If the problem persists, see your dealer.

Warning

This content is compiled from multiple sources and is provided for reference purposes only. It may not be complete or fully applicable to all situations. If you are unable to resolve your issue, please contact the product manufacturer or an authorized service provider for official support.