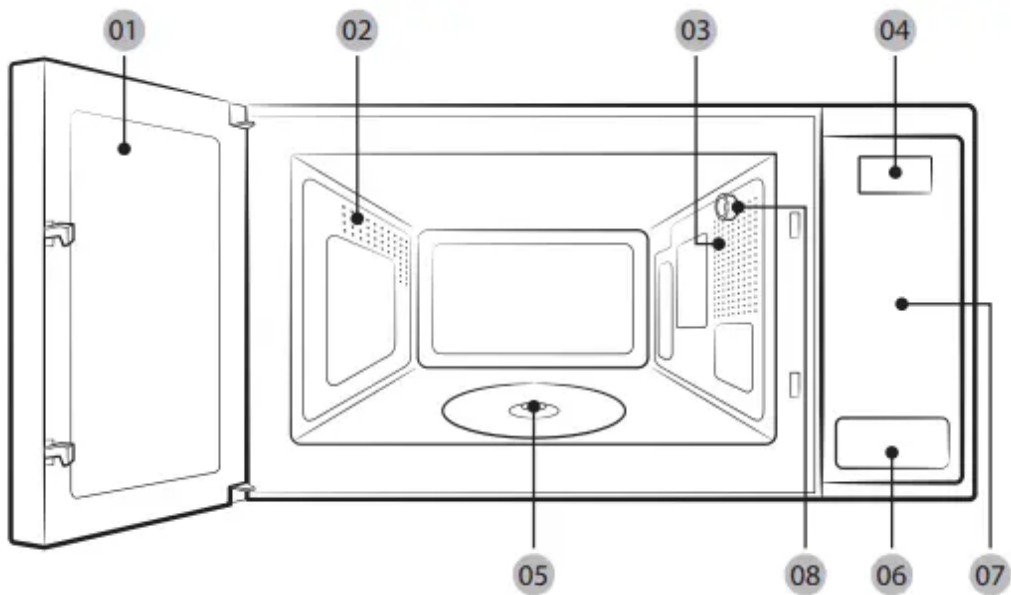


Installation

What's included

Make sure all parts and accessories are included in the product package. If you have a problem with the oven or accessories, contact a local Samsung customer centre or the retailer.

Oven at a glance



-
- | | | |
|-------------------------|-----------------------------|-----------------------|
| 01 Door | 02 Vent | 03 Oven light |
| 04 Display | 05 Coupler | 06 Open (door) |
| 07 Feature panel | 08 Water bowl holder | |

Accessories

The oven comes with different accessories that help you prepare different types of food.



Roller ring



Turntable

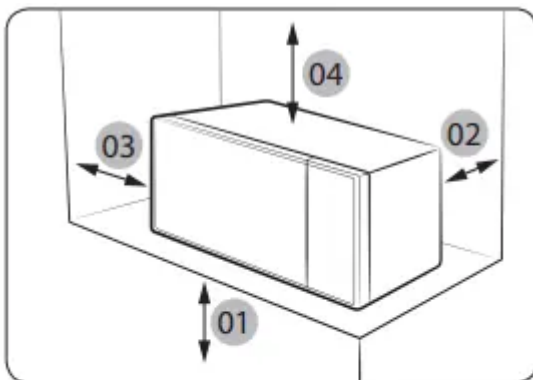


Clean water bowl

Roller ring	Put in the centre of the base. It supports the turntable.
Turntable	Put on the roller ring with the centre fitting the coupler. It serves as a cooking base.
Clean water bowl	The water bowl can be used to clean.

NOTE Do not operate the oven without the turntable on the roller ring.

Installation site

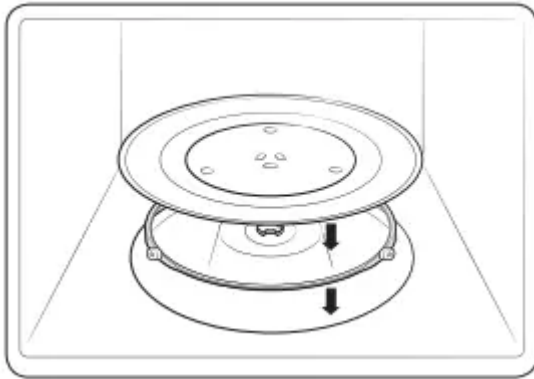


- 01** 85 cm from the floor
- 02** 10 cm from the rear wall
- 03** 10 cm from the side
- 04** 20 cm from above

- Select a flat, level surface approx. 85 cm above the floor. The surface must support the weight of the oven.
- Secure room for ventilation, at least 10 cm from the rear wall and both sides, and 20 cm from above.

- Do not install the oven in hot or damp surroundings, such as next to other microwave ovens or radiators.
- Conform to the power supply specifications of this oven. Use only approved extension cables if you need to use.
- Wipe the interior and the door seal with a damp cloth before using your oven for the first time.

Turntable



Remove all packing materials inside the oven. Install the roller ring and turntable. Check that the turntable rotates freely.

Maintenance

Cleaning

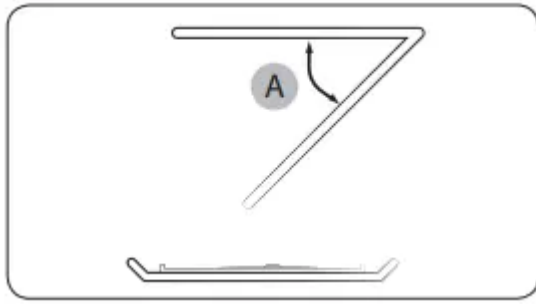
Clean the oven regularly to prevent impurities from building up on or inside the oven. Also pay special attention to the door, door sealing, and turntable and roller ring (applicable models only).

If the door won't open or close smoothly, first check if the door seals have built up impurities. Use a soft cloth in soapy water to clean both the inner and outer sides of the oven. Rinse and dry well.

To remove stubborn impurities with bad smells from inside the oven

1. With an empty oven, put a cup of diluted lemon juice on the centre of the turntable.
2. Heat the oven for 10 minutes at max power.
3. When the cycle is complete, wait until the oven cools down. Then, open the door and clean the cooking chamber.

To clean inside swing-heater models



To clean the upper area of the cooking chamber, lower the top heating element by 45 ° (A) as shown. This will help clean the upper area. When done, reposition the top heating element.

CAUTION

- Keep the door and door sealing clean and ensure the door opens and closes smoothly. Otherwise, the oven's lifecycle may be shortened.
- Take caution not to spill water into the oven vents.
- Do not use any abrasive or chemical substances for cleaning.
- After each use of the oven, use a mild detergent to clean the cooking chamber after waiting for the oven to cool down.

Replacement (repair)

WARNING

This oven has no user-removable parts inside. Do not try to replace or repair the oven yourself.

- If you encounter a problem with hinges, sealing, and/or the door, contact a qualified technician or a local Samsung service centre for technical assistance.
- If you want to replace the light bulb, contact a local Samsung service centre. Do not replace it yourself.
- If you encounter a problem with the outer housing of the oven, first unplug the power cord from the power source, and then contact a local Samsung service centre.

Care against an extended period of disuse

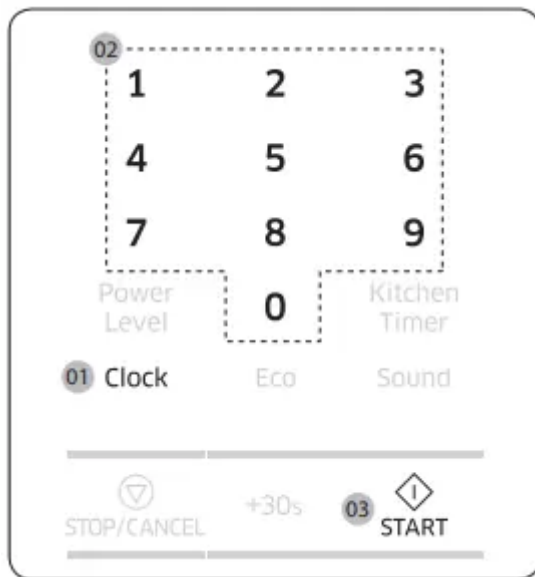
- If you don't use the oven for an extended period of time, unplug the power cord and move the oven to a dry, dust-free location. Dust and moisture that builds up inside the oven may affect the performance of the oven.

Before you start

There is some basic information that you should know before going directly to a cooking recipe. Before or during any cooking mode, you can set/change the clock or the kitchen timer to your needs.

Current time

It is important to set the correct clock time to ensure correct automatic operations. The time can be displayed in either the 24- hour (default) or 12-hour notation. You must set the clock.



To display the time in the 12-hour / 24- hour notation.

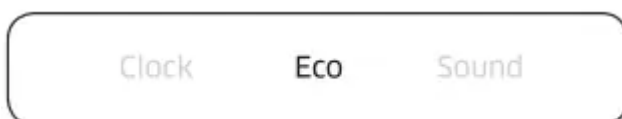
1. Press the Clock button and the 0 button at the same time for 1 second.
2. Time setting that you want to change (12Hr or 24Hr) will be displayed.
3. If you want to change the notation again, press the number buttons. For example, press 1 for 12Hr or press 2 for 24 Hr notation.
4. Press the START button to confirm your setting,

To set the current time,

1. Press Clock.
2. Use the number buttons to enter the current time. For example, press 5, 0, and 0 in sequence for 5:00 o'clock.
3. Press START to confirm your settings. Then, the colon (:) indicator blinks several times.

Power saving

To reduce power consumption when not using the oven, use the power saving function of the oven.



- To activate power saving, press Eco to turn off the display.

- To deactivate power saving, open the door or press Eco again. The display turns back on with the current time.

Auto power saving

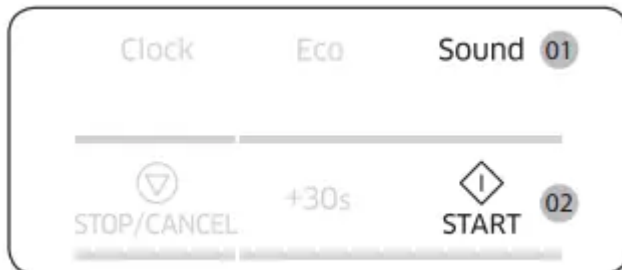
- After 25 minutes of user inactivity, the oven automatically enters power saving mode. Any previous function will be cancelled, and the current time will be displayed.
- After 5 minutes of the door being open, the oven lamp will turn off.

Child Lock



- To prevent accidents, Child Lock disables all controls except for the Eco button.
- Press the STOP/CANCEL button for 3 seconds to activate, or press the STOP/ CANCEL button for 3 seconds again to deactivate the lock on the feature panel.

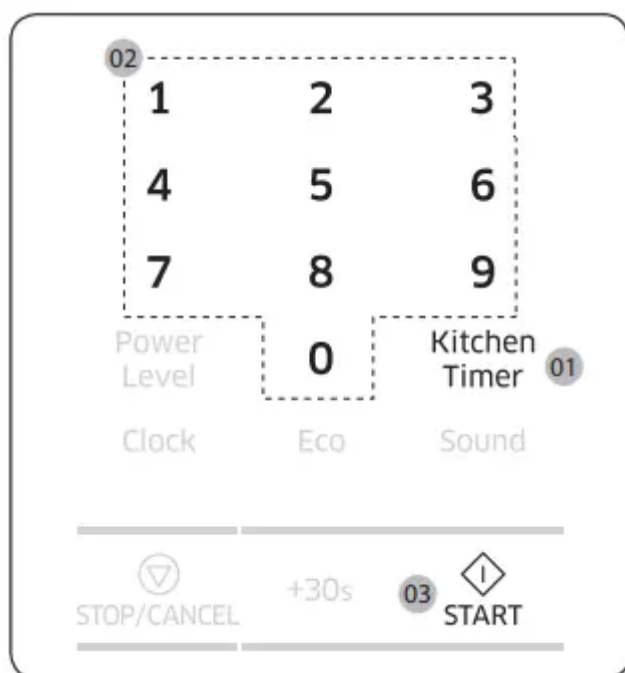
Sound On/Off



You can mute or unmute the beep or melody of the oven.

- To mute the sound, press Sound to show "OFF" on the display. Then, press START.
- To unmute the sound, press Sound again to show "ON" on the display. Then, press START.

Kitchen timer

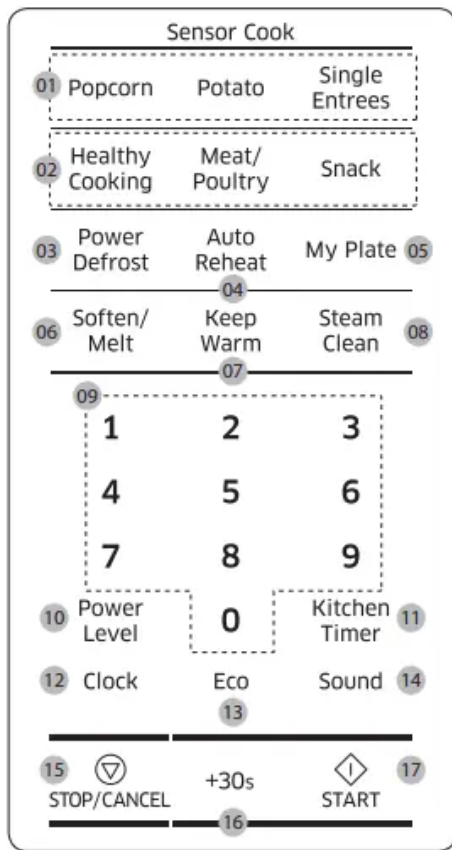


1. Press Kitchen Timer.
2. Use the number buttons to set the time for your cooking.
3. Press START.

Operations

Feature panel

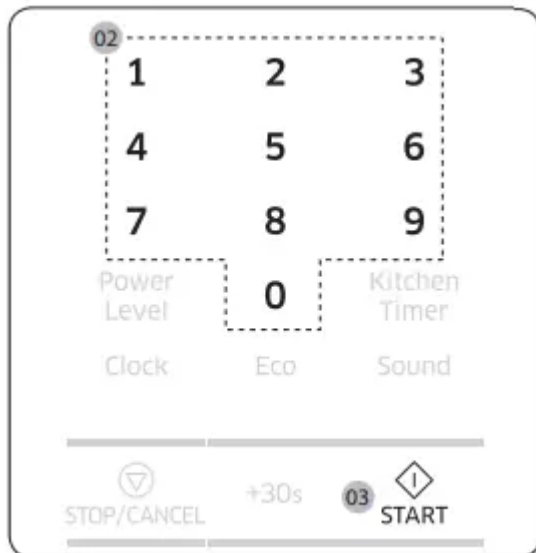
The front panel comes in a wide range of materials and colours. For improved quality, the actual appearance of the oven is subject to change without notice.



01	Sensor Cook
02	Auto Cook
03	Power Defrost
04	Auto Reheat
05	My Plate
06	Soften/Melt
07	Keep Warm
08	Steam Clean
09	Number pad
10	Power Level
11	Kitchen Timer
12	Clock
13	Eco
14	Sound
15	Stop/Cancel
16	+30s
17	Start

Simple steps to start

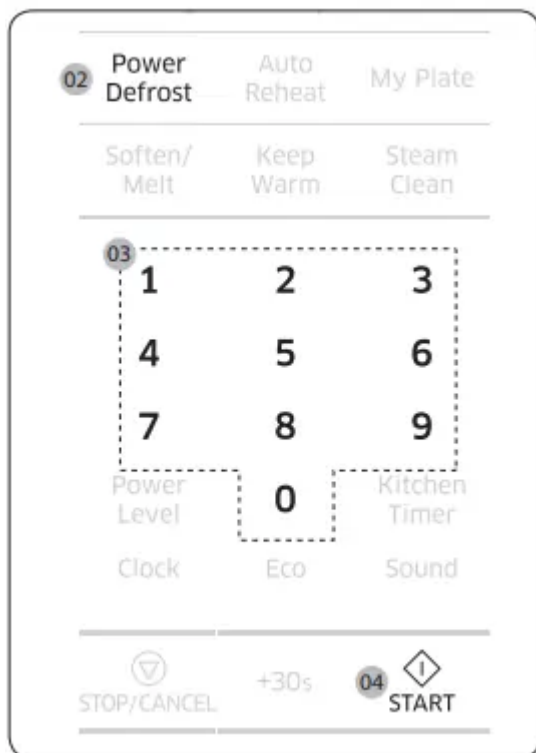
To cook food



1. Put the food in a microwave-safe container and then in the centre of the turntable.
2. Use the number buttons to set the cooking time.
3. Press START.

NOTE When cooking is complete, the oven beeps 4 times. Use oven gloves to take out the food.

To defrost frozen food



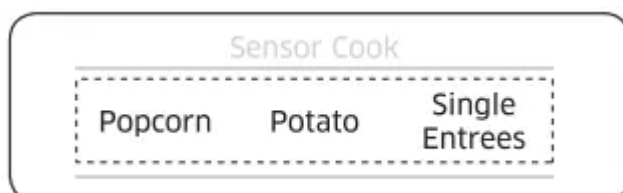
1. Put the frozen food in a microwavesafe container and then in the centre of the turntable.
2. Press Power Defrost.
3. Use the number buttons to set the serving size.
4. Press START.

NOTE For more information, see the Power Defrost section.

Sensor cook

A sensor in the microwave oven detects moisture released from food as it heats, and adjusts the cooking time accordingly.

Make sure microwave oven has been plugged in for at least 3 minutes. Use microwave-safe dish with loose-fitting lid, or cover microwave-safe dish with plastic wrap, and vent.



1. Press the Sensor Cook button corresponding to the food you are cooking.



2. Press the START button (Potato, For example). The display shows “ ” and your microwave oven will begin cooking.

If you want to check the current time while cooking is in progress, press the Clock button.

Sensor cooking guide

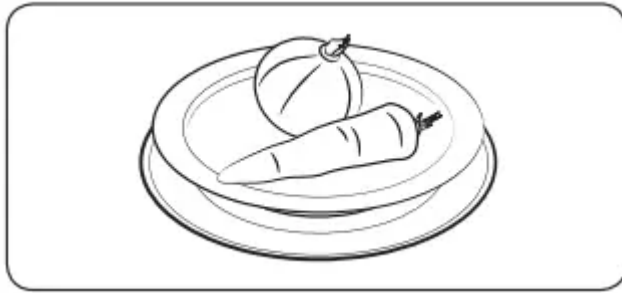
Follow the instructions below when sensor cooking different types of food.

Food	Amount
Popcorn	85-100 g 1 package
	Procedure
	Use only one microwave-only bag of popcorn at a time. Use caution when removing and opening hot bag from oven. Let oven cool for at least 5 minutes before using again.
Potato	1 to 6 ea.
	Procedure
	Prick each potato several times with fork. Place on turntable in spoke-like fashion. Let stand 3-5 min. Let oven cool for at least 5 minutes before using again.
Single Entress	220-400 g
	Procedure
	Remove food from outer wrapping and follow box instructions for covering and standing. Let oven cool for at least 5 minutes before using again.

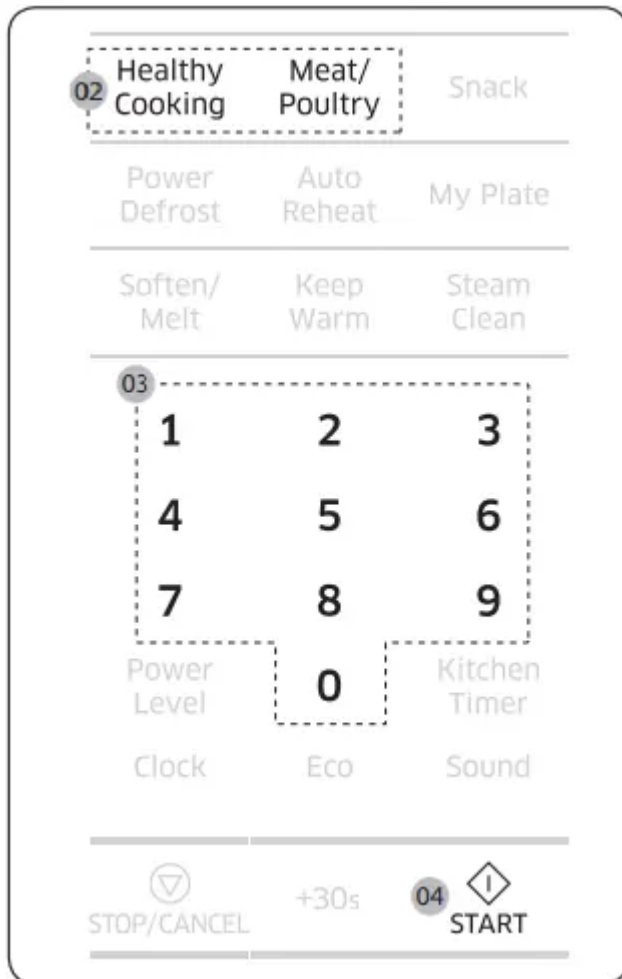
Auto cook

1. Healthy Cooking & 2. Meat/Poultry

For healthier alternatives, the oven offers a total of 16 Healthy Cook programmes in 2 different categories. Take advantage of this feature to save you time or shorten your learning curve. The cooking time and temperature will be adjusted according to the selected recipe.



1. Put food in a microwave-safe container and then in the centre of the turntable.

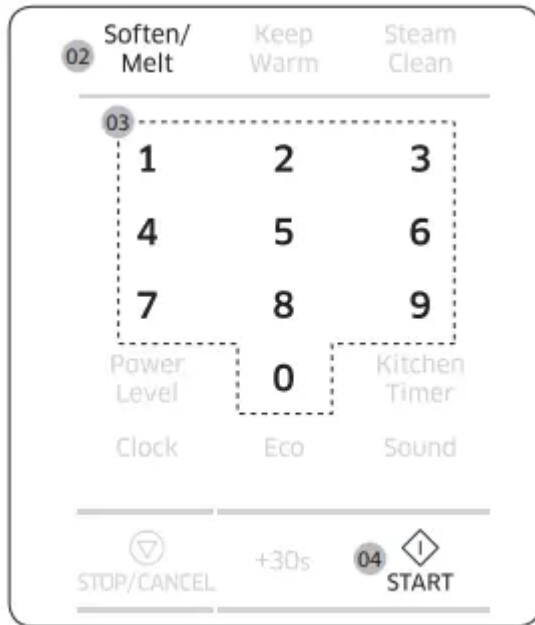


2. Select a category by pressing either Healthy Cooking or Meat/Poultry.
3. Use the selected button again or the number buttons to select a specific programme.
4. Press START.
5. When cooking is complete with a beep 4 times, use oven gloves to take out the food.

Convenience

Soften/Melt

This is useful to soften or melt soft food or confection such as butter, chocolate, and sugar.



1. Put food in the centre of the turntable.
2. Press Soften/Melt.
3. Use the Soften/Melt button again or the number buttons to select a specific programme.
4. Press START.
5. When the cycle is complete with a beep 4 times, use oven gloves to take out the food.

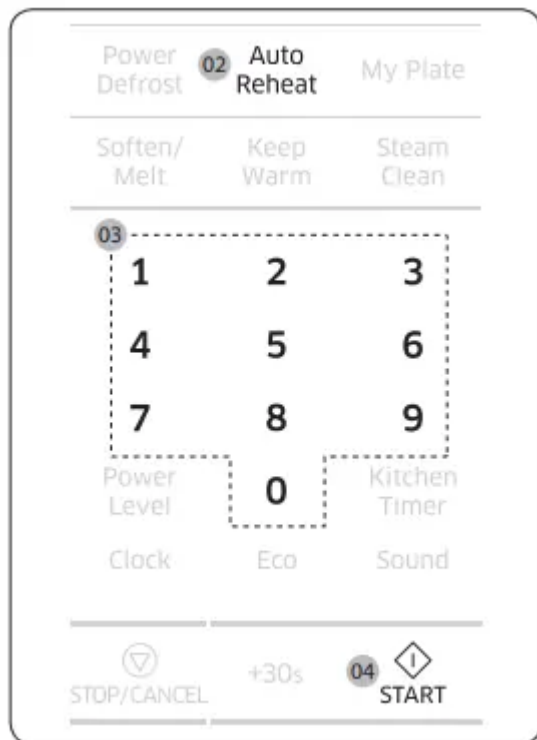
Soften/Melt guide

The following table presents auto programmes for softening or melting specific kinds of food. The table contains food quantities, weight ranges, and appropriate recommendations.

Code	Food	Serving Size (g)	Instructions
1	Melt Butter	50	Cut butter into 3 or 4 pieces and Put them on small glass bowl. Melt uncovered. Stir after cooking. Stand for 1-2 minutes.
2	Melt Butter	100	
3	Melt Dark Chocolate	50	Grate dark chocolate and put in small glass bowl. Melt uncovered. Stir after melting. Stand for 1-2 minutes.
4	Melt Dark Chocolate	100	
5	Melt Sugar	25	Put sugar on small glass bowl. Add 10 ml water for 25 g and add 20 ml water for 50 g. Melt uncovered. Take out carefully, use oven gloves! Use spoon or fork and pour caramel decorations on baking paper. Let stand for 10 minutes until dry and remove from paper.
6	Melt Sugar	50	
7	Soften Butter	50	Cut butter into 3 or 4 pieces and Put them in small glass bowl. Soften uncovered. Stand for 1-2 minutes.
8	Soften Butter	100	

Auto Reheat

Use Auto Reheat to warm up food leftovers or precooked food. The operating time and power level will be set according to the selected programme.



1. Put food in the centre of the turntable and close the door.
2. Press Auto Reheat.
3. Use the Auto Reheat button again or the number buttons to select a specific programme.
4. Press START.
5. When the cycle is complete with a beep 4 times, use oven gloves to take out the food.

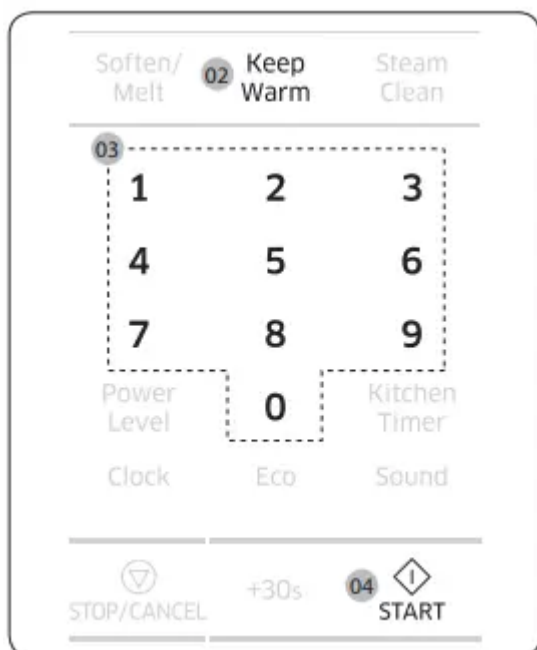
Auto Reheat guide

The following table presents auto programmes for reheating food. The table contains food quantities, weight ranges, and appropriate recommendations.

Code	Food	Serving Size (g)	Instructions
1	Casserole / Stew	1 serving 200-230	Place refrigerated casserole in glass bowl. Cover the plate with a lid or vented plastic wrap. After cooking, stir the food once before serving. Stand for 1-2 minutes.
2	Casserole/Stew	2 servings 400-450	
3	Casserole / Stew	3 servings 600-690	
4	Casserole / Stew	4 servings 800-920	
5	Pasta / Soup	1 serving 200-230	Pour into a deep ceramic soup plate or bowl and cover during heating and standing. Stir carefully before and after standing time. Stand for 2-3 minutes.
6	Pasta / Soup	2 servings 400-450	
7	Pasta / Soup	3 servings 600-690	
8	Pasta / Soup	4 servings 800-920	
9	Pizza Reheat	1 Slice	Place pizza slices on a microwave-safe plate with the wide ends of the slices towards the outside edge of the plate. Do not let the slices overlap. Do not cover.
10	Pizza Reheat	2 Slices	
11	Pizza Reheat	3 Slices	
12	Pizza Reheat	4 Slices	

Keep warm

The Keep warm feature keeps food hot until it's served. Use this function to keep food warm until ready to serve. Keep warm mode operates for 99 minute.



1. Put food in the centre of the turntable and close the door.
2. Press Keep warm.
3. Press the number buttons if you want to set the warming time. (Warming time is set as 99 minute at first)
4. Press START. To stop warming the food, open the door or press STOP/CANCEL button.
5. When the cycle is complete with a beep 4 times, use oven gloves to take out the food.

IMPORTANT Do not cover with lids or plastic wrap.

IMPORTANT Use oven gloves when taking out food.

IMPORTANT Do not use this function to reheat cold foods. This programmes are for keeping food warm that has just been cooked.

IMPORTANT Do not recommend food being kept warm for too long (more than 1 hour), as it will continue to cook. Warm food spoils more quickly.

Cooking Smart

We provide these cooking guides to help you make the most out of this oven. Experience our cooking know-how to add convenience and richness to your life.

Microwave cooking guide

- Cover the food throughout the entire cooking. The vaporised moisture from the food circles through inside and helps cook evenly.
- When cooking is complete, let stand for the specified time. This allows the food to even out inside.

- Use only microwave-safe cookware.

Frozen vegetables

- Use a suitable glass Pyrex container with a lid.
- Stir twice during cooking and once after cooking, and then add seasoning to your preference.

Food	Serving Size (g)	Power	Time (min.)
Spinach	150	60 %	5-6
	Add 15 ml (1 tbsp) cold water. Stand for 2-3 minutes.		
Broccoli	300	60 %	8-9
	Add 30 ml (2 tbsp) cold water. Stand for 2-3 minutes.		
Peas	300	60 %	7-8
	Add 15 ml (1 tbsp) cold water. Stand for 2-3 minutes.		
Green Beans	300	60 %	7½-8½
	Add 30 ml (2 tbsp) cold water. Stand for 2-3 minutes.		
Mixed Vegetables (Carrots/Peas/Corn)	300	60 %	7-8
	Add 15 ml (1 tbsp) cold water. Stand for 2-3 minutes.		
Mixed Vegetables (Chinese style)	300	60 %	7½-8½
	Add 15 ml (1 tbsp) cold water. Stand for 2-3 minutes.		

Fresh vegetables

- Use a suitable glass Pyrex container with a lid.
- Cut ingredients into as small pieces as possible to reduce the cooking time.
- Add 30-45 ml of cold water to every 250 g unless otherwise specified.
- Stir once during cooking and once after cooking, and then add seasoning to your preference.

Food	Serving Size (g)	Power	Time (min.)
Broccoli	250	90 %	4½-5
	500		7-8
Prepare even sized florets. Arrange the stems to the centre. Stand for 3 minutes.			
Brussels Sprouts	250	90 %	6-6½
	Add 60-75 ml (4-5 tbsp) water. Stand for 3 minutes.		
Carrots	250	90 %	4½-5
	Cut carrots into even sized slices. Stand for 3 minutes.		
Cauliflower	250	90 %	5-5½
	500		7½-8½
Prepare even sized florets. Cut big florets into halves. Arrange stems to the centre. Stand for 3 minutes.			
Courgettes	250	90 %	4-4½
	Cut courgettes into slices. Add 30 ml (2 tbsp) water or a knob of butter. Cook until just tender. Stand for 3 minutes.		
Egg plants	250	90 %	3½-4
	Cut egg plants into small slices and sprinkle with 1 tbsp lemon juice. Stand for 3 minutes.		
Leeks	250	90 %	4-4½
	Cut leeks into thick slices. Stand for 3 minutes.		

Food	Serving Size (g)	Power	Time (min.)
Mushrooms	125	90 %	1½-2
	250		2½-3
Prepare small whole or sliced mushrooms. Do not add any water. Sprinkle with lemon juice. Spice with salt and pepper. Drain before serving. Stand for 3 minutes.			
Onions	250	90 %	5-5½
	Cut onions into slices or halves. Add only 15 ml (1 tbsp) water. Stand for 3 minutes.		
Pepper	250	90 %	4½-5
	Cut pepper into small slices. Stand for 3 minutes.		
Potatoes	250	90 %	4-5
	500		7-8
Weigh the peeled potatoes and cut them into similar sized halves or quarters. Stand for 3 minutes.			
Turnip Cabbage	250	90 %	5½-6
	Cut turnip cabbage into small cubes. Stand for 3 minutes.		

Rice and pasta

Rice

- Use a large-sized glass Pyrex container with a lid. Note that rice doubles in volume during cooking.

Pasta

- Use a large-sized glass Pyrex container. Cook uncovered.
- Add boiling water and a little salt, and stir well. Stir several times during and after cooking.
- Cover with a lid while letting stand, and then drain well.

Food	Serving Size	Power	Time (min.)
White Rice (Parboiled)	250 g	90 %	15-16
	375 g		17½-18½
Add 500 ml cold water.(250 g), Add 750 ml cold water. (375 g) Stand for 5 minutes.			
Brown Rice (Parboiled)	250 g	90 %	20-21
	375 g		22-23
Add 500 ml cold water.(250 g), Add 750 ml cold water. (375 g) Stand for 5 minutes.			
Mixed Rice (Rice + Wild Rice)	250 g	90 %	16-17
	Add 500 ml cold water. Stand for 5 minutes.		
Mixed Corn (Rice + Grain)	250 g	90 %	17-18
	Add 400 ml cold water. Stand for 5 minutes.		
Pasta	250 g	90 %	10-11
	Add 1000 ml hot water. Stand for 5 minutes.		

Reheating guide

General

This reheating guide is based on the condition that the room temperature is between 18 °C and 20 °C for liquid, and between 5 °C and 7 °C for chilled food. Follow the operating time, power level, and standing time specified in this table.

Food	Serving Size (g)	Power	Time (min.)
Drinks (Coffee, Tea and Water)	150 ml (1 cup)	90 %	1-1½
	300 ml (2 cups)		2-2½
	450 ml (3 cups)		3-3½
	600 ml (4 cups)		3½-4
Pour into cups and reheat uncovered: 1 cup in the centre, 2 cups opposite of each other, 3 cups in a circle. Keep in microwave oven during standing time and stir well. Stand for 1-2 minutes.			
Soup (Chilled)	250 g	90 %	2½-3
	350 g		3-3½
	450 g		3½-4
	550 g		4½-5
Pour into a deep ceramic plate or deep ceramic bowl. Cover with plastic lid. Stir well after reheating. Stir again before serving. Stand for 2-3 minutes.			
Stew (Chilled)	350	60 %	4½-5½
	Put stew in a deep ceramic plate. Cover with plastic lid. Stir occasionally during reheating and again before standing and serving. Stand for 2-3 minutes.		
Pasta with Sauce (Chilled)	350	60 %	3½-4½
	Put pasta (e.g. spaghetti or egg noodles) on a flat ceramic plate. Cover with microwave cling film. Stir before serving. Stand for 3 minutes.		

Food	Serving Size (g)	Power	Time (min.)
Filled Pasta with Sauce (Chilled)	350	60 %	4-5
	Put filled pasta (e.g. ravioli, tortellini) in a deep ceramic plate. Cover with plastic lid. Stir occasionally during reheating and again before standing and serving. Stand for 3 minutes.		
Plated Meal (Chilled)	350	60 %	4½-5
	450		5½-6½
Plate a meal of 2-3 chilled components on a ceramic dish. Cover with microwave cling-film. Stand for 3 minutes.			
Cheese Fondue Ready-to- Serve (Chilled)	400	60 %	6-7
	Put the ready-to-serve cheese fondue in a suitable sized glass pyrex bowl with lid. Stir occasionally during and after reheating. Stir well before serving. Stand for 1-2 minutes.		

Special care for baby food

To prevent accidents such as burns, special care must be taken for baby food before serving. Make sure to strictly follow this reheating guide for baby food.

Baby food

- Use a deep ceramic plate and cover it with a plastic lid.
- Recommended serving temperature is 30-40 °C.

Baby milk

- Use a sterilised glass bottle and reheat it uncovered.
- Remove the teat before reheating. Otherwise, the milk in the bottle boils over.

Food	Serving Size	Power	Time (sec.)
Baby Food (Vegetables + Meat)	190 g	60 %	30
	Empty into ceramic deep plate. Cook covered. Stir after cooking time. Before serving, stir well and check the temperature carefully. Stand for 2-3 minutes.		
Baby Porridge (Grain + Milk + Fruit)	190 g	60 %	20
	Empty into ceramic deep plate. Cook covered. Stir after cooking time. Before serving, stir well and check the temperature carefully. Stand for 2-3 minutes.		
Baby Milk	100 ml	30 %	30-40
	200 ml		60-70
Stir or shake well and pour into a sterilised glass bottle. Place into the centre of turn-table. Cook uncovered. Shake well and stand for at least 3 minutes. Before serving, shake well and check the temperature carefully.			

Defrosting guide

This defrosting guide is based on the condition that frozen food is between -18 °C and -20 °C in internal temperatures. The standing time varies depending on the food type (meat or vegetables) and serving size (thinner or thicker pieces of food).

- Put frozen food in a microwave-safe container uncovered.
- Turn it over halfway through defrosting time and drain well when complete.

	Food	Serving Size	Power	Time (min.)
Meat	Minced Meat	250 g	20 %	6-7
		500 g		8-13
	Pork Steaks	250 g		7-8
Place the meat on turntable. Shield thinner edges with aluminium foil. Turn over after half of defrosting time! Stand for 15-30 minutes.				
Poultry	Chicken Pieces	500 g (2 pcs)	20 %	14-15
	Whole Chicken	1200 g		32-34
	First, put chicken pieces first skin-side down, whole chicken first breast-side-down on a flat ceramic plate. Shield the thinner parts like wings and ends with aluminium foil. Turn over after half of defrosting time! Stand for 15-60 minutes.			
Fish	Fish Fillets	200 g	20 %	6-7
	Whole Fish	400 g		11-13
	Put frozen fish in the middle of a flat ceramic plate. Arrange the thinner parts under the thicker parts. Shield narrow ends of fillets and tail of whole fish with aluminium foil. Turn over after half of defrosting time! Stand for 10-25 minutes.			
Fruits	Berries	300 g	20 %	6-7
	Spread fruit on a flat, round glass dish (with a large diameter). Stand for 5-10 minutes.			

	Food	Serving Size	Power	Time (min.)
Bread	Bread Rolls (Each ca. 50 g)	2 pcs	20 %	1-1½
		4 pcs		2½-3
	Toast/Sandwich	250 g		4-4½
	German Bread (Wheat + Rye Flour)	500 g		7 - 9
Arrange rolls in a circle or bread horizontally on kitchen paper in the middle of turntable. Turn over after half of defrosting time! Stand for 5-20 minutes.				

Quick & Easy

Melting crystallized honey

Put 20 g crystallized honey into a small deep glass dish.

Heat for 20-30 seconds using 30 %, until honey is melted.

Melting gelatine

Lay dry gelatine sheets (10 g) for 5 minutes into cold water.

Put drained gelatine into a small glass pyrex bowl.

Heat for 1 minute using 30 %.

Stir after melting.

Cooking glaze/icing (for cake and gateaux)

Mix instant glaze (approximately 14 g) with 40 g sugar and 250 ml cold water. Cook uncovered in a glass pyrex bowl for 3½ to 4½ minutes using 90 %, until glaze/icing is transparent. Stir twice during cooking.

Cooking jam

Put 600 g fruits (for example mixed berries) in a suitable sized glass pyrex bowl with lid. Add 300 g preserving sugar and stir well.

Cook covered for 10-12 minutes using 90 %.

Stir several times during cooking. Empty directly into small jam glasses with twistoff lids. Stand on lid for 5 minutes.

Cooking pudding/ custard

Mix pudding powder with sugar and milk (500 ml) by following the manufacturers instructions and stir well. Use a suitable sized glass pyrex bowl with lid. Cook covered for 6½ to 7½ minutes using 90 %.

Stir several times well during cooking.

Browning almond slices

Spread 30 g sliced almonds evenly on a medium sized ceramic plate.

Stir several times during browning for 3½ to 4½ minutes using 60 %.

Let it stand for 2-3 minutes in the oven. Use oven gloves while taking out!

Troubleshooting and information code

Troubleshooting

If you have any of the problems listed below try the solutions given.

Problem	Cause	Action
General		
The buttons cannot be pressed properly	Foreign matter may be caught between the buttons.	Remove the foreign matter and try again.
	For touch models: Moisture is on the exterior.	Wipe the moisture from the exterior.
	Child lock is activated.	Deactivate Child lock.
The time is not displayed.	The Eco (power-saving) function is set.	Turn off the Eco function.
The oven does not work.	Power is not supplied.	Make sure power is supplied.
	The door is open.	Close the door and try again.
	The door open safety mechanisms are covered in foreign matter	Remove the foreign matter and try again.
The oven stops while in operation.	The user has opened the door to turn food over.	After turning over the food, press the Start button again to start operation.
The power turns off during operation.	The oven has been cooking for an extended period of time.	After cooking for an extended period of time, let the oven cool.
	The cooling fan is not working.	Listen for the sound of the cooling fan.
	Trying to operate the oven without food inside.	Put food in the oven.
	There is not sufficient ventilation space for the oven.	There are intake/exhaust outlets on the front and rear of the oven for ventilation. Keep the gaps specified in the product installation guide.

	Several power plugs are being used in the same socket.	Designate only one socket to be used for the oven.
There is a popping sound during operation, and the oven doesn't work.	Cooking sealed food or using a container with a lid may causes popping sounds.	Do not use sealed containers as they may burst during cooking due to expansion of the contents.
The oven exterior is too hot during operation.	There is not sufficient ventilation space for the oven.	There are intake/exhaust outlets on the front and rear of the oven for ventilation. Keep the gaps specified in the product installation guide.
	Objects are on top of the oven.	Remove all objects on the top of the oven.
The door cannot be opened properly	Food residue is stuck between the door and oven interior.	Clean the oven and then open the door.
Heating including the Warm function does not work properly.	The oven may not work, too much food is being cooked, or improper cookware is being used.	Put one cup of water in a microwave-safe container and run the microwave for 1-2 minutes to check whether the water is heated. Reduce the amount of food and start the function again. Use a cooking container with a flat bottom.
The thaw function does not work.	Too much food is being cooked.	Reduce the amount of food and start the function again.
The interior light is dim or does not turn on.	The interior light is dim or does not turn on.	The interior light may automatically turn off when the Eco function operates. Close and reopen the door or press the Cancel button.
	The interior light is covered by foreign matter.	Clean the inside of the oven and check again.
	If the Auto Cook function is being used, this	

A beeping sound occurs during cooking.	beeping sound means it's time to turn over the food during thawing.	After turning over the food, press the Start button again to restart operation.
The oven is not level.	The oven is installed on an uneven surface.	Make sure the oven is installed on flat, stable surface.
There are sparks during cooking.	Metal containers are used during the oven/thawing functions.	Do not use metal containers.
When power is connected, the oven immediately starts to work.	The door is not properly closed.	Close the door and check again.
There is electricity coming from the oven.	The power or power socket is not properly grounded.	Make sure the power and power socket are properly grounded.
<ol style="list-style-type: none"> 1. Water drips. 2. Steam emits through a door crack. 3. Water remains in the oven. 	There may be water or steam in some cases depending on the food. This is not an oven malfunction.	Let the oven cool and then wipe with a dry dish towel.
The brightness inside the oven varies.	Brightness changes depending on power output changes according to function.	Power output changes during cooking are not malfunctions. This is not an oven malfunction.
Cooking is finished, but the cooling fan is still running.	To ventilate the oven, the cooling fan continues to run for about 3 minutes after cooking is complete.	This is not an oven malfunction.
Turntable		
While turning, the turntable comes	There is no roller ring, or the roller ring is not properly in place.	Install the roller ring and then try again.

out of place or stops turning.		
The turn table drags while turning.	The roller ring is not properly in place, there is too much food, or the container is too large and touches the inside of the microwave.	Adjust the amount of food and do not use containers that are too large.
The turn table rattles while turning and is noisy.	Food residue is stuck to the bottom of the oven.	Remove any food residue stuck to the bottom of the oven.

NOTE

If the above guidelines do not enable you to solve the problem, then contact your local SAMSUNG customer service centre.

Please have the following information read;

- The model and serial numbers, normally printed on the rear of the oven
- Your warranty details
- A clear description of the problem

Then contact your local dealer or SAMSUNG aftersales service.

Information codes

Code	Description	Action
C-d0	Control buttons are pressed over 10 seconds.	Clean the keys and check if there is water on the surface around key. If it occurs again, turn off the microwave oven over 30 seconds and try setting again. If it appears again, call your local SAMSUNG Customer Care Centre.
C-10	Cooking sensor is needed to check.	Press the Stop/Cancle button and operate again. If it occurs again, turn off the microwave oven over 30 seconds and try setting again. If it appears again, call your local SAMSUNG Customer Care Centre.

NOTE If the suggested solution does not solve the problem, contact your local SAMSUNG Customer Care Centre.

Warning

This content is compiled from multiple sources and is provided for reference purposes only. It may not be complete or fully applicable to all situations. If you are unable to resolve your issue, please contact the product manufacturer or an authorized service provider for official support.

Document generated by [ManualsFile](#)

