

## Installation

### Step-by-step installation

#### STEP 1 Selecting a location

##### NOTE

Before you install the washer, make sure the location:

- Has a hard, level surface without carpeting or flooring that may obstruct ventilation.
- Is away from direct sunlight.
- Has adequate ventilation.
- Is not exposed to freezing temperatures (temperatures under 32 °F or 0 °C).
- Is away from heat sources such as oil or gas.
- Has enough space so that the washer doesn't rest on its power cord.

#### STEP 2 Connecting the water supply hose

##### CAUTION

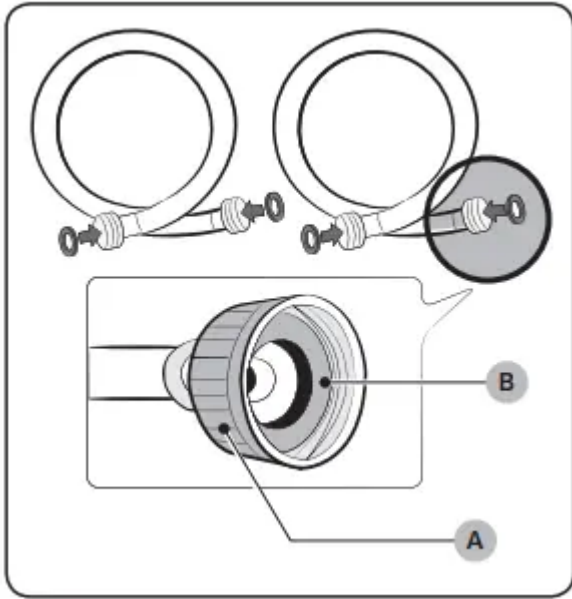
Before installing the water supply hoses, make sure there are rubber gaskets (B) inside the couplings (A) at both ends of each new water hose. Installing the water supply hoses without rubber gaskets can cause water leakage.

##### CAUTION

When you initially install the washer, be sure to use new hoses. Failing to do so may result in a water leakage or overflow and may damage your property.

##### CAUTION

Do not connect multiple water supply hoses together to increase the length of the supply hose. Hoses connected this way can leak and the leakage can cause electrical shock. If a hose is too short, replace the hose with a longer, high pressure hose.



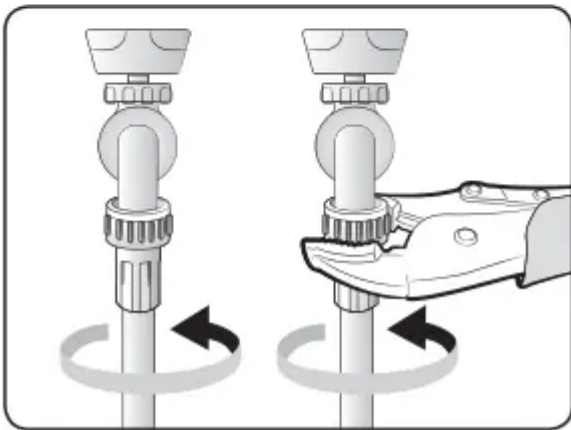
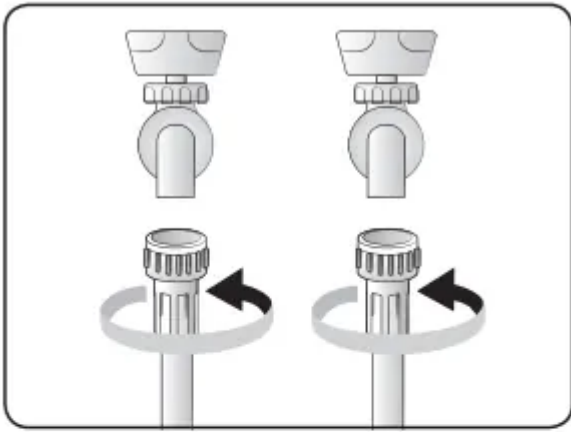
1. Connect the ends of the water supply hoses to the hot and cold faucets.
2. Tighten the fittings by hand until they are snug, and then tighten them an additional two-thirds of a turn with a plier.

#### CAUTION

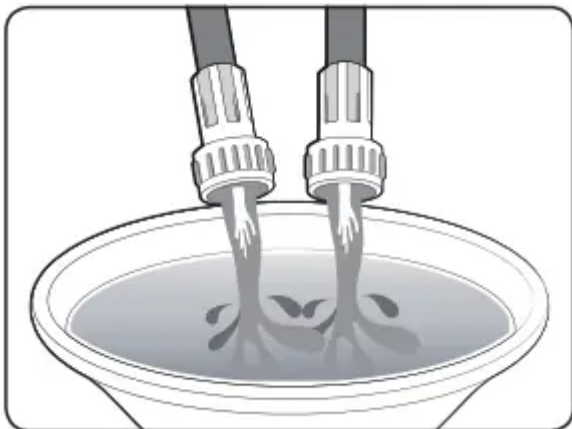
When you fasten the fittings, do not fasten them too tightly or apply tape or sealant to the faucets or water supply intakes. This can damage the fittings.

#### NOTE

After you have connected the water supply hoses to the faucets, ensure that they are connected correctly by pulling the water supply hoses downwards.



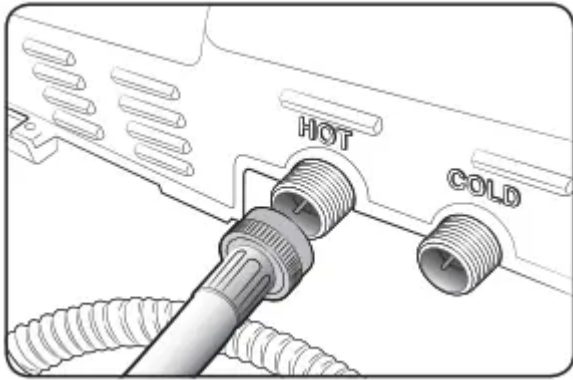
3. Place the unconnected ends of the hoses into a bucket and open the faucets connected to the two water supply hoses for 10 or 15 seconds to remove any foreign substances from the hoses. Close the faucets before continuing.



4. Connect the ends of the water supply hoses to the water supply intake connections at the back of the washer.

**CAUTION**

The water supply hose connected to the hot faucet must be connected to the hot water supply intake and the water hose connected to the cold faucet must be connected to the cold water supply intake.



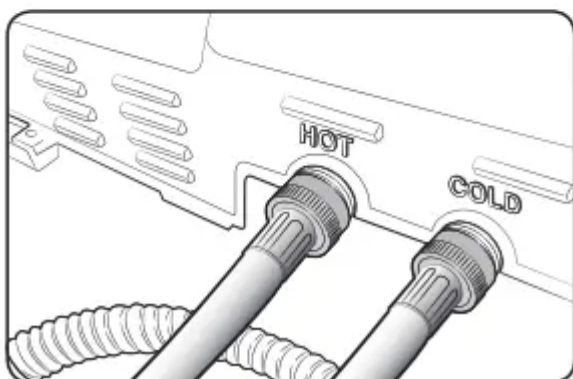
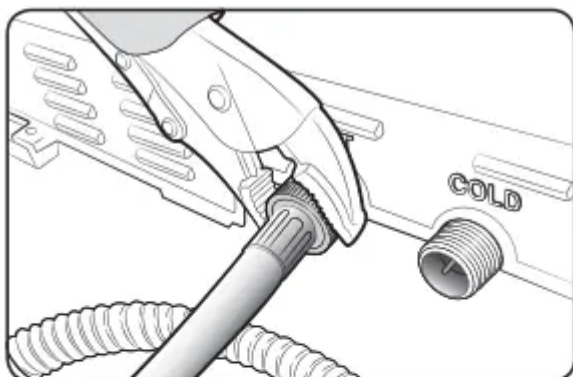
5. Tighten the fittings by hand until they are snug, and then tighten them an additional two-thirds of a turn with a plier.

**NOTE**

To ensure the correct water usage, connect both the hot and cold water faucets. If either or both are not connected, an “4C” (no fill) code can be displayed.

**NOTE**

If you do not want to use the hot water supply hose, insert the water intake cap into the hot water supply intake hole. In this case, you must select the Tap Cold for the water temperature. If you select the Tap Cold, all the lamps for the water temperature options are turned off.

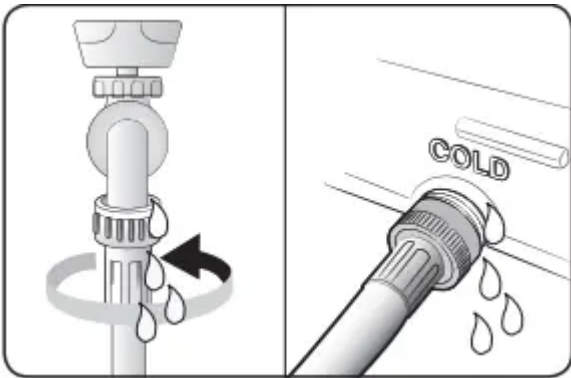


**CAUTION**

Confirm that the water supply hoses are not twisted or bent. If the hoses are twisted or bent, the hoses can leak and cause electric shock due to the water leakage.



6. Turn on the hot and cold water supplies and check all the water supply intake connections and the faucets for water leaks.



### STEP 3 Connecting the drain hose

The end of the drain hose can be positioned in three ways:

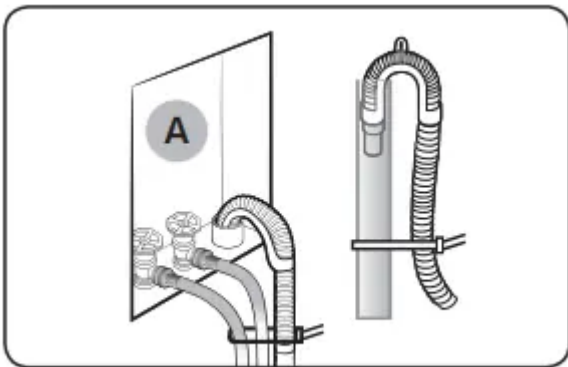
In a Wall standpipe or Floor standpipe

The height of end of standpipe must be no lower than 39 in (99 cm) and no higher than 96 in (245 cm).

If drain pipe are built into the wall with water valves (A), fasten the drain hose to the water hose.

#### NOTE

Make sure that the connection between the drain hose and the standpipe is not airtight.

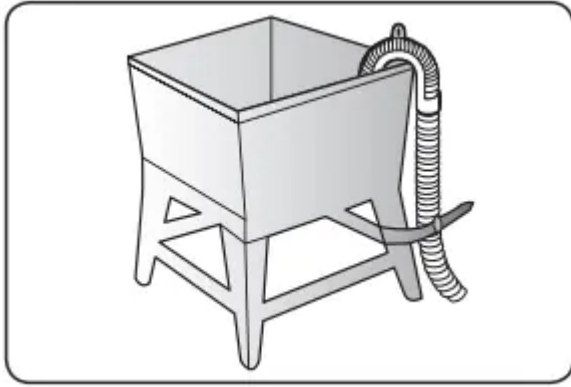


#### In a laundry tub

The height of the tub must be no lower than 39 in (99 cm) and no higher than 96 in (245 cm).

Assemble the supplied Hose guide at the end of the drain hose, and put the hanger on laundry tub.

And fasten the drain hose to the leg of laundry tub.



**NOTE**

Connect the hose guide (A) within 3~5 in (7.6~12.7 cm)\* from the end of the drain hose. If the drain hose is extended beyond the end of the hose guide, mold or microorganisms could spread inside the washer.

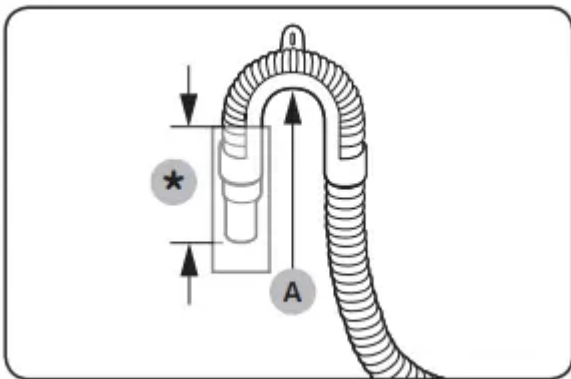
**NOTE**

The drain hose can be installed to a 96 in (245 cm) maximum, but the draining capability can be reduced at this height.

It can cause the washer to have an odor because of remaining water in the drain system.

**NOTE**

If the drain hose is installed below 39 in (99 cm), water can be drained in cycles due to a siphon phenomenon. It causes the washer to display “4C”.

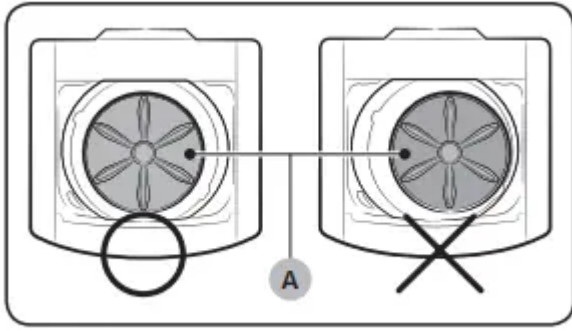


**STEP 4 Leveling your washer**

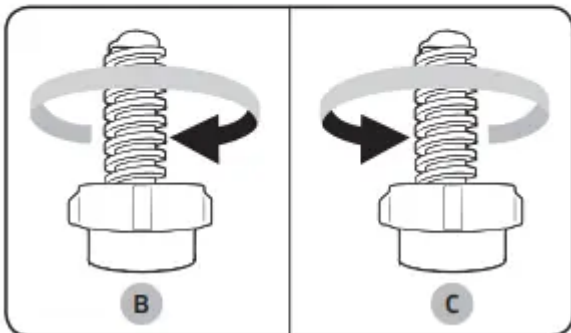
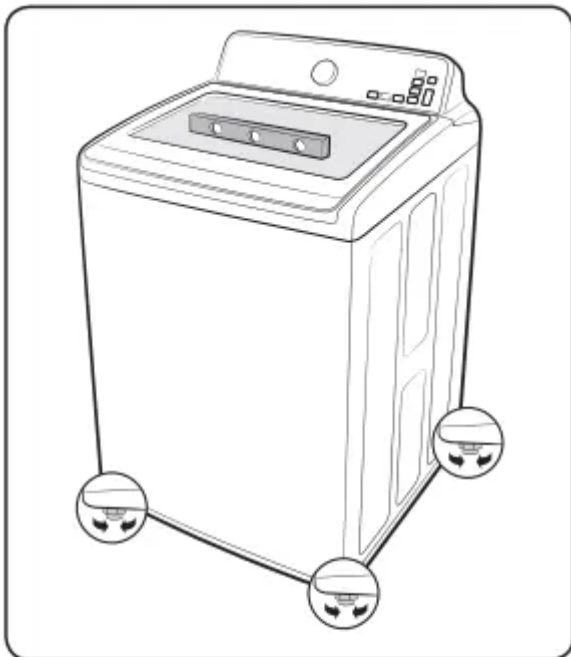
See if the washer is level by checking the position of the tub:

1. Slide the washer into position.
2. Open the lid of the washer, and pour the water into the tub to just below the pulsator level.





3. If the washer is level, the pulsator (A) is positioned at the center of the water as shown in the figure. If not, level your washer by turning the front leveling feet clockwise or counterclockwise as necessary.



**NOTE**

Turn the front leveling feet clockwise (B) to lower the washer, and counterclockwise (C) to raise the washer.

**STEP 5 Powering your washer**

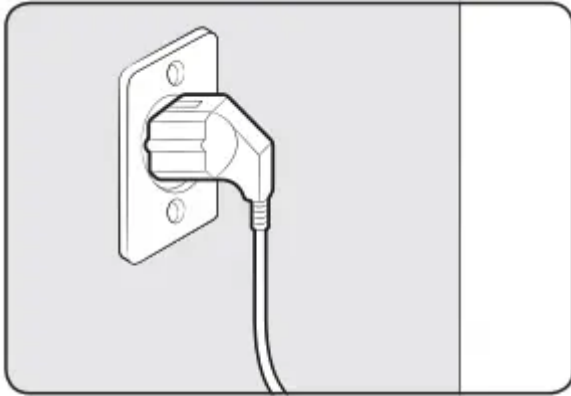


Plug the power cord into a 3-prong, well grounded 120 volt 60 Hz approved electrical outlet protected by a 15-amp fuse or comparable circuit breaker.

Your washer is grounded through the third prong of the power cord when plugged into a three-prong grounded electrical outlet.

### **Test run**

Make sure that you install your washer correctly by running the Rinse+Spin after the installation is complete.



### **STEP 6 Running a test cycle**

Run a test cycle as follows to check if your washer is properly installed.

1. Load about 6 pounds of laundry into the tub.
2. Press Power to turn on your washer.
3. Select Rinse+Spin by turning the Cycle Selector.
4. Press Start/Pause to start the test cycle.
5. The washer should not rock or vibrate excessively when water is supplied or when washing or spinning, and should drain well during the spin cycle.

### **STEP 7 Calibration Mode**

Your Samsung washer detects the laundry weight automatically.

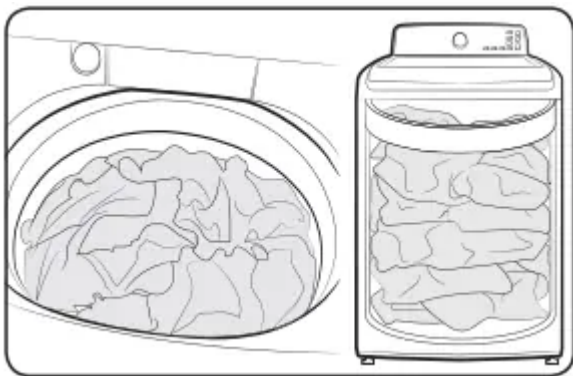
For more accurate weight detection, please run Calibration Mode after the installation. To run Calibration Mode, follow these steps:

1. Remove laundry or any contents in the machine.
2. Press and hold Temp. and Delay End simultaneously for at least 3 seconds when the power is turned on.
3. Press Start/Pause to activate Calibration Mode.
4. The pulsator rotates clockwise and counterclockwise approximately 1 minute.
5. When Calibration Mode is finished, "End" appears on the display, and the washer automatically turns off. The washer is now ready for use.

# Operating instructions

## Loading your washer

- Fill the tub with dry, unfolded clothes evenly around in order to enhance washing efficiency and prevent excess wear, or wrinkling of the load.
- For optimal washing performance, make sure the laundry is piled up evenly.
- Wash delicate items such as bras, hosiery, and other lingerie in the Delicates cycle with similar lightweight items.
- When washing big bulky items or a few smaller items that don't fill the tub completely – a rug, a pillow, stuffed toys, or one or two sweaters, for example – add a few towels to improve spin performance.
- Do not insert bulky items except for Bedding in this cycle.



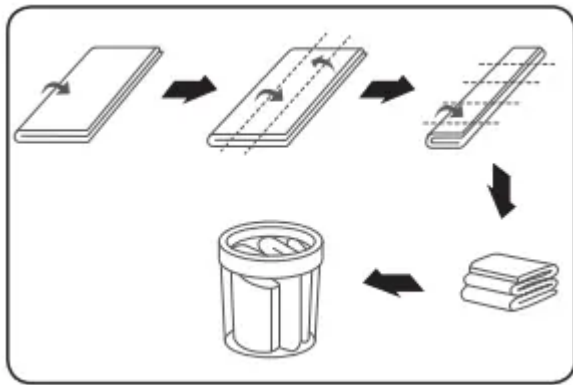
### To input a blanket

Fold the blanket into the blanket-specific net as shown, and then insert in the tub below the plastic area of the tub.

#### CAUTION

Make sure the laundry is inserted completely.

- Any exposed part of the laundry may cause damage to the machine or the laundry itself, or a water leak.
- Do not overload the tub. Make sure no part of the laundry is exposed outside of the tub.



### To add a forgotten item:

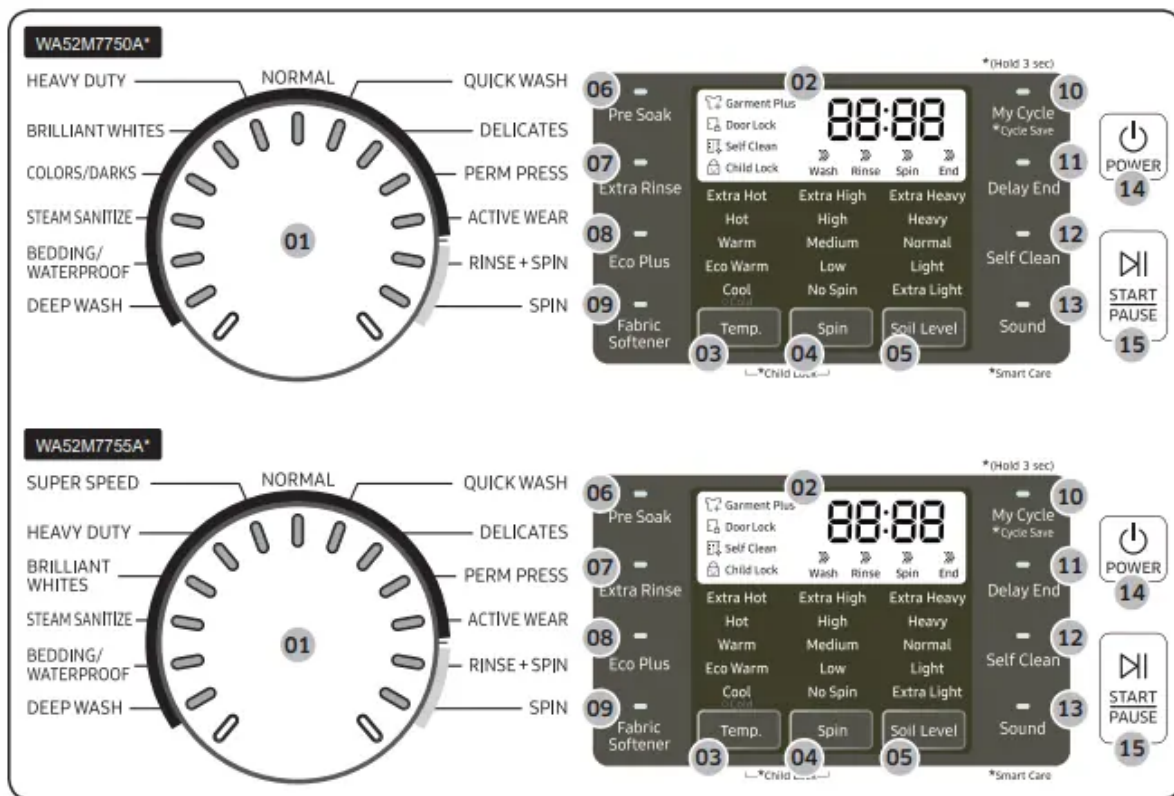
1. Press Start/Pause to pause the washer.
2. Wait for the door to unlock automatically, and then open the door.
3. Add the item, close the door, and then press Start/Pause. The cycle will resume.

### Getting started

1. Load your washer.
2. Add liquid (or powder) detergent and additives to the dispenser (see the "Detergent use" section).
3. Select the appropriate cycle and options for the load (see the "Washing a load of laundry" section).
4. Close the lid.
5. Press Start/Pause.
6. The Wash Indicator illuminates.
7. The estimated cycle time will appear in the display. The time may fluctuate to indicate the time remaining in the cycle.
8. Before your washer starts to fill, it will make a series of clicking noises to check the door lock and do a quick drain.

# Washing a load of laundry

## Control panel



**01 Cycle Selector** Turn the Cycle Selector to select the desired cycle. The indicator by the cycle name lights up.

**02 Display** Provides instructions and diagnostics while keeping you updated on the cycle status and time remaining

### 03 Temp.

Press the button repeatedly to cycle through the different water temperature options.

- Extra Hot - Heavily soiled, colorfast items.
- Hot - Whites and heavily soiled, colorfast items.
- Warm - Colorfast items.
- Eco Warm - Moderately soiled, colorfast items; most wrinkle-free items.
- Cool - Brightly colored, very lightly soiled items.
- Cold - Cold water with no warm water added.

### NOTE

If you select the Tap Cold option, all the lamps for the water temperature options are turned off.

### 04 Spin

Press the button repeatedly to cycle through the different spin speed options.

- Extra High - Removes more water from loads during spin.
- High - Use for underwear, t-shirts, jeans, and sturdy cottons.
- Medium - Use for jeans, wrinkle-free or wash-and-wear items, and synthetics.
- Low - Use for delicate items needing a slow spin speed.
- No Spin - Drains your washer without spinning. Use for extremely delicate items that cannot tolerate any spin.

## **05 Soil Level**

Press the button to select the soil level/washing time.

- Extra Heavy - For heavily soiled loads.
- Heavy - For heavily soiled loads.
- Normal - For moderately soiled loads. This setting is best for most loads.
- Light - For lightly soiled loads.
- Extra Light - For lightly soiled loads. 06 Pre Soak It adds 15 minutes soaking time at the start of the wash cycle for better stain removal.

**07 Extra Rinse** Change from spray rinse mode to deep rinse mode, and rinse once again.

**08 Eco Plus** To increase your energy savings on your wash cycles. (Less hot water consumption)

**09 Fabric Softener** Add an additional rinse at the end of the cycle to more thoroughly remove laundry additives and perfumes.

## **10 My Cycle**

Press and hold for 3 seconds to save your own cycle.

Create and/or use a cycle you have customized temperature, spin speed, soil level, options, etc.

**11 Delay End** Delay the end of any cycle for up to 19 hours in one-hour increments. Displayed hour indicates the time the wash will be ended.


**12 Self Clean** Use to clean dirt and bacteria from the drum. Regular use (after every 20 washes) is recommended.


**13 Sound** The Sound Off function can be selected during all cycles.

**14 Power** Press once to turn your washer on. Press again to turn your washer off. If the washer is left on for more than 10 minutes without any buttons being pressed, the power automatically turns off.

**15 Start/Pause** Press to pause and restart cycles.

## Cycle overview

Cycle	Description
NORMAL	For most fabrics including cottons, linens, and normally soiled garments.
SUPER SPEED (WA52M7755A*)	Lightly soiled and Normal Loads (up to 8lb).
HEAVY DUTY	For sturdy, colorfast fabrics and heavily soiled garments. We propose to use this function only when washing lot of heavily soiled garments.
BRILLIANT WHITES	For white fabrics with or without bleach.
COLORS/DARKS (WA52M7750A*)	For brightly or dark colored casual garments.
STEAM SANITIZE	For heavily soiled, colorfast garments. (less than 14lbs)  <b>NOTE</b> If you select pause during the heating portion of the Sanitize Cycle, your Washer door will remain locked for your safety.

Cycle	Description
BEDDING/ WATERPROOF	<p>For bulky and large items, such as comforters, blankets and sheets. When washing comforters, use liquid detergent, waterproof or water-resistant items.</p> <p> <b>CAUTION</b></p> <ul style="list-style-type: none"> <li>✳ Do not wash waterproof items and non-waterproof items together.</li> <li>✳ Check the specification label on the fabric item and see if the item is waterproof.</li> <li>✳ Use the bedding/waterproof cycle for waterproof or water-resistant items such as plastic mats, ski pants, raincoat and comforters which hardly absorb water.</li> </ul>
DEEP WASH	Use more water in washing and rinsing.
QUICK WASH	For lightly soiled garments needed quickly.
DELICATES	For sheer fabrics, bras, lingerie, silks, and other handwash-only fabrics. For best results, use liquid detergent.
PERM PRESS	For wash-and-wear, synthetic fabrics, and lightly to normally soiled garments.
ACTIVE WEAR	Use this cycle to wash exercise wear such as sports jerseys, training pants, shirts/tops and other performance clothing. This cycle provides effective soil removal with gentle action for special fabric care.
RINSE + SPIN	Use for loads that need rinsing only or to add rinse-added fabric softener to a load.
SPIN	Drains the water and spins at a high speed.


## Options

### Child Lock

Child Lock prevents children from playing with your washer.

#### Activating the Child Lock function

Press and hold Spin and Soil Level simultaneously for approximately 3 seconds.

- When you activate the  Child Lock function, the Child Lock indicator blinks.

#### Using the Child Lock function

If the lid is opened when the Child Lock function is on, “dC” is displayed and an alarm sounds.

- If the water level in the tub is above the safe water level, “dC” is displayed on the LED display and the washer starts to drain water by force after 30 seconds.

- If the water level in the tub is above the safe water level and the Child Lock function is turned on while the door is open, “CL” is displayed on the LED display even if the power of the washer is turned off and the washer drains water by force.
- Even if the power of the washer is turned off, if the lid is opened while the water level in the tub is above the Reset water level, “CL” is displayed on the LED display without the alarm sounding and the washer starts to drain water. When the draining operation finishes, the power is automatically turned off again.
- You have activated the Child Lock function while the washer is running, the Start/Pause button will not work.
- After the compulsory drain, the “CL” blinks at 1 second intervals and the product enters the “CL” mode. (When the product is in the “CL” mode, only the Power button works.)
- To cancel the “CL” mode, you need to turn the power off and then on again.
- To cancel the “dC” mode, deactivate the Child Lock function. To deactivate the Child Lock function, press and hold Spin and Soil Level simultaneously for at least 3 seconds.


#### NOTE

#### **Adding laundry when Child Lock is on**

To add laundry, deactivate the Child Lock function. To deactivate the Child Lock function, press and hold Spin and Soil Level simultaneously for at least 3 seconds. See the “Pause Option” section on page 38 for additional details.

#### **Deactivating the Child Lock function**


Press and hold both Spin and Soil Level simultaneously for approximately 3 seconds.

- When you deactivate the Child Lock function, the  Child Lock indicator is turned off.
- The Child Lock function prevents children or the infirm from accidentally operating the washer and injuring themselves.

#### **Sound**

The Sound Off function can be selected during all cycles.

#### **Garment Plus**

You can add or take out laundry items even after the wash has started, as long as the  Garment Plus indicator is on. Pressing Start/Pause unlocks the lid. If you open the lid and want to continue the wash cycle, close the lid, and then press Start/Pause.

#### NOTE

If you have activated the Child Lock, you must deactivate it first.

#### **My Cycle**

Lets you save a custom wash cycle (temperature, spin, soil level, etc.) and then recall and use it with one button convenience.

To save a cycle and selected options as your My Cycle, follow these steps:

1. Press Power.
2. Select a cycle using the Cycle Selector.
3. After cycle selection, set each option.

#### NOTE

See the “Cycle chart” section for available option settings with each cycle.

4. You can then store the selected cycle and options by pressing and holding My Cycle for longer than 3 seconds. The cycle and options you select will be displayed the next time you choose the My Cycle function.

5. Press My Cycle to load and use the saved My Cycle options. The “My Cycle” light will indicate activation. Also, the chosen cycle and option lights will flicker.

#### **Delay End**

You can set the washer to start your wash automatically at a later time, by choosing a delay time.

The hour displayed indicates the time at which the wash will be ended.

1. Set your wash cycle.
2. Press Delay End repeatedly until the delay time is set.
3. Press Start/Pause. The “Delay End” indicator will be lit, and the clock will begin counting down until it reaches the set time.
4. To cancel a Delay End function, press the Power button and then turn the washer on again.

#### **Pre Soak**

Use this function when the laundry is heavily contaminated or stained. This function improves the wash performance by adding a Pre Soak cycle.

- If you select this function, the total cycle time is increased by 15 minutes.
- When the Pre Soak cycle starts, the washer repeats a wash cycle after supplying water and then performs a 15-minute soak cycle.
- When the Pre Soak cycle is complete, the configured wash cycle starts without draining water.

#### **Eco Plus**

This function sets the temperature somewhat lower than the typical washing cycle and extends the wash time slightly. With laundry time slightly extended, it's possible to keep the same level of

washing performance with cooler water. This function reduces energy consumption and maintains the quality of the wash.

### **Mist Shower**

Mist Shower sprays water from a nozzle that is independent of the main water supply system. It states that it soaks the laundry with water from the beginning of the rinse cycle and ensures an effective wash, but it's not part of the wash cycle, it's part of the rinse cycle, so this needs to state that it ensures an effective rinse.

The Mist Shower function may not work if there is too large of a load in the machine.)

### **Smart Care**

This function enables you to check the status of the washer using a smartphone.

1. To enable the Smart Care function, press and hold Sound for 3 seconds after turning the power on or when an error occurs.

#### **NOTE**

The error code history is deleted after you use this function.

2. The Smart Care indicator is lit on the display.

3. Run the Smart Care app on your smart phone.

- Android: Galaxy S series, Galaxy Note series. (Other devices may not be normal operation).

Supported OS : Android 2.2 or higher

- iOS: iPhone series

Supported OS : iOS 4.3 or higher

4. Focus your smart phone's camera on the display panel of the washer.

5. If the smart phone's camera is focused on the display panel of the washer, the panel and error message is automatically recognized and the error type and countermeasures are displayed on the smart phone.

6. If the smartphone fails to recognize the error code more than twice, please enter the error code displayed on the display panel of the washer manually into the Smart Care app.

### **Washing clothes using the cycle selector**

Your new washer makes washing clothes easy, using Samsung's "Fuzzy Control" automatic control system. When you select a wash program, the machine will set the correct temperature, washing time, and washing speed.

1. Press Power.

2. Open the lid.

3. Load the articles of clothing one at a time loosely into the drum, without overfilling it.
4. Add liquid (or powder) detergent, softener, and/or bleach (if necessary) to the appropriate compartments. See the "Detergent use" section 2.
5. Close the lid.
6. Use the Cycle Selector to select the appropriate cycle according to the type of material: NORMAL, HEAVY DUTY, STEAM SANITIZE, DEEP WASH, COLORS/DARKS(WA52M7750A\*), PERM PRESS, ACTIVE WEAR, SUPER SPEED(WA52M7755A\*), BRILLIANT WHITE, BEDDING/WATERPROOF, QUICK WASH, DELICATES, SPIN, and RINSE+SPIN. The relevant indicators will illuminate on the control panel.
7. At this time, you can control the wash temperature, the number of rinse cycles, the spinning speed, and the delay time by pressing the appropriate option button.
8. Press Start/Pause and the wash will begin. The process indicator will light up and the remaining time for the cycle will appear in the display.

### **Pause Option**

To remove or add laundry items, follow these steps:

1. Press Start/Pause to unlock the lid.

#### NOTE

The lid cannot be opened when the water is too HOT.

2. Remove or add laundry items.
3. Close the lid, and then press Start/Pause to restart the wash.

#### NOTE

If you have Child Lock on, you must deactivate it first.

### **When the cycle is finished:**

After the total cycle has finished, the power will turn off automatically.

1. Open the lid.
2. Remove laundry.

### **ATC (Auto Temperature Control)**

ATC is the control function that the washer controls water temperature with temperature sensor (thermistor).

#### NOTE

Because there are numerous water temperatures depending on the customer's environments (cold areas, warm areas, various water temperatures, settings of heater temperature, etc.), ATC function

in our washer maintains the certain level of wash temperature to output the best washing performance at each cycle.

#### NOTE

If you select NORMAL cycle, this cycle is the regulation and UL cycle. Since new washers must reduce the amount of energy usage as a first priority, customers will notice more cold water entering the washer. But, this is normal, not a problem.

In those regulation cycles, Hot temperature is similar to acceptable adult bath-water temperature and warm temperature is similar to comfortable swimming-pool water temperature.

#### NOTE

If customers want to wash clothes in specific water temperatures, customers should choose a different cycle at each temperature (Hot/Warm/Eco Warm)

## The basics

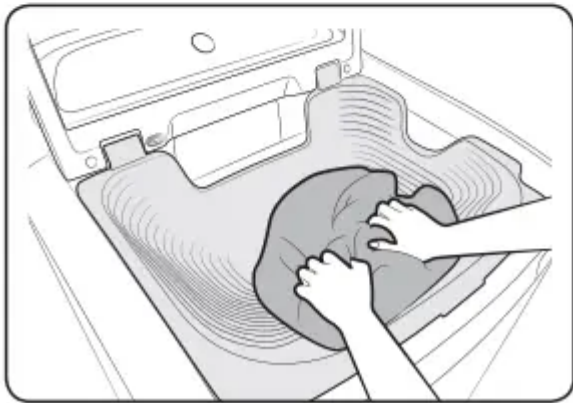
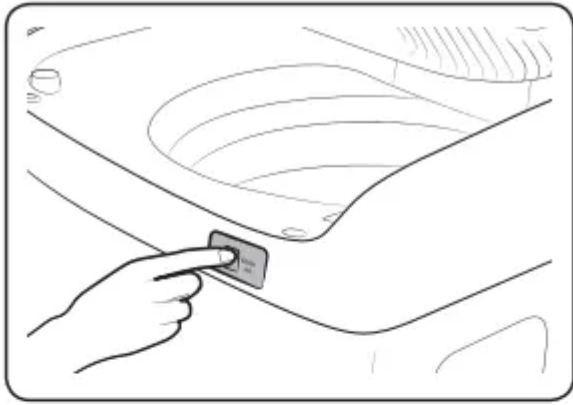
### Prewash (Water Jet & Built-in sink)

Water Jet and Built-in sink help you handwash before the washing machine starts operation. Water Jet is available only when the door is open with the water level set to less than High. For prewashing, use the Built-in sink that is designed to facilitate the hand-wash.

1. With the door open, lower the Built-in sink . To open only the door, press and release the front right corner of the door. To close and lock both the door and the Built-in sink, press down the door until you hear a clicking sound.
2. Put clothes to prewash in it.
3. Press Water Jet to supply water to the Built-in sink, and hand-wash.
4. When done, gently lift up the Built-in sink to drain water into the tub.

#### NOTE

- If you want to hand-wash while the machine is operating, press Start/Pause to stop operation, and then follow steps 1-4 above.
- If you open both the door and the Built-in sink, lower the Built-in sink manually for prewashing.



#### [Water Jet stops]

- Water Jet stops operation automatically when the washing machine detects the maximum water level.
- Water Jet stops operation automatically 5 minutes after it begins. To add more water, press Water Jet again to resupply water.

#### [Water Jet drains]

- Select a cycle and press Start/Pause. Then the washing machine drains the water to be used during the prewash.
- When the washing machine is turned off before starting the wash cycle, it drains the water to be used during the prewash. However, when it is turned off during the wash cycle, it does not drain the water.

#### NOTE

Water Jet extracts the water through the Mist Shower nozzle for 1 second and then through the Water Jet nozzle from then on when it is first activated after the washing machine turns on.

## Detergent use



Your washer is designed to use high efficiency (HE) detergents.

- For the best cleaning results, use a high efficiency detergent such as Tide HE, Wisk HE, Cheer HE or Gain HE\*. High efficiency detergents contain suds suppressors that reduce or eliminate suds. When fewer suds are produced, the load tumbles more efficiently and cleaning is maximized. (\* Brand names are trademarks of their respective manufacturers.)

## Features

### Automatic dispenser

Your washer has separate compartments for dispensing detergent and color-safe bleach and fabric softener. Add all laundry additives to their respective compartments before starting your washer.

The automatic dispenser must always be in place before you start your washer.

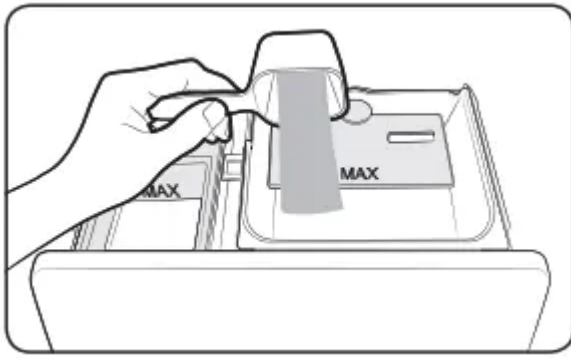
DO NOT open the automatic dispenser when your washer is running.

### NOTE

- Never exceed the manufacturer's recommendations when adding detergent.
- This compartment holds liquid detergent for the main wash cycle, which is added to the load at the beginning of the cycle.
- When using powdered detergent, remove the liquid detergent compartment from the detergent drawer. The washer will not dispense powdered detergent from the liquid detergent compartment.

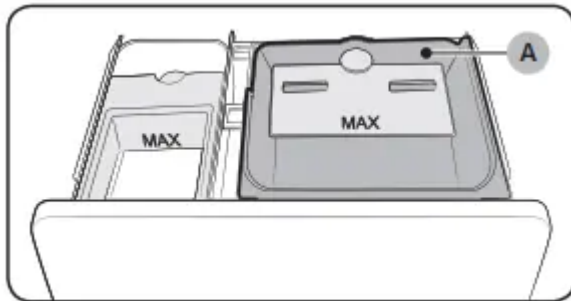
### To add detergent to the automatic dispenser:

1. Open the dispenser drawer.
2. Load the recommended amount of liquid (or powder) detergent into the detergent compartment before you start your wash.
3. Close the drawer slowly and smoothly to avoid spilling, splashing, or premature dispensing of the contents.



### Loading the Liquid (or Powder) detergent compartment

1. Pour the recommended amount of laundry detergent directly into the detergent compartment before starting your washer.
2. If you are using color-safe bleach, add it with the detergent to the detergent compartment.



### Loading the Bleach compartment

#### CAUTION

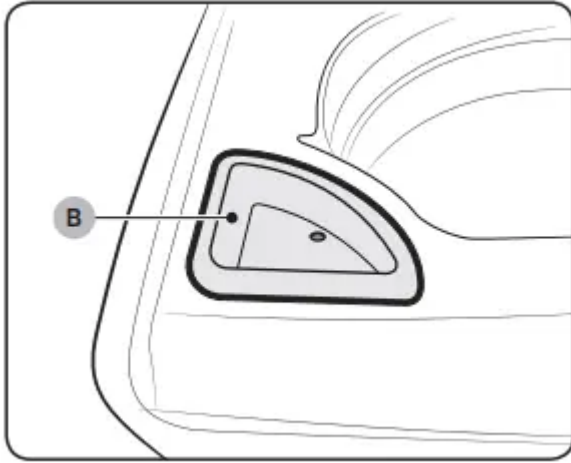
Use the liquid chlorine bleach only.

1. Add chlorine bleach to the bleach compartment (B).

DO NOT exceed the bleach compartment.

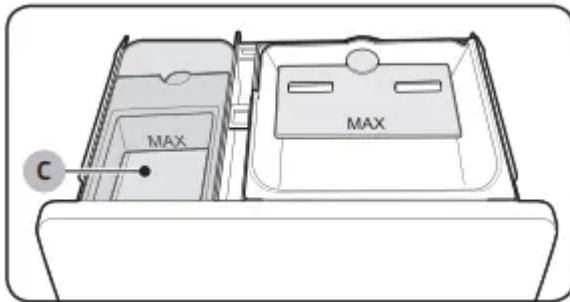
#### NOTE

- Avoid splashing or over-filling the compartment.
- Never pour undiluted liquid chlorine bleach directly onto the load or into the tub. It is a powerful chemical and can cause fabric damage, such as weakening of the fibers or color loss, if not used properly.
- If you prefer to use color-safe, add it to the appropriate detergent compartment. DO NOT pour color-safe bleach into the Bleach compartment.



### Loading the fabric softener compartment

1. Pour the recommended amount of liquid fabric softener into the softener compartment (C).  
For smaller loads, use less than one capful.
2. Dilute the fabric softener with water until it reaches MAX FILL in the compartment.
3. The dispenser automatically releases liquid fabric softener at the proper time during the rinse cycle.



### NOTE

- Use the softener compartment **ONLY** for liquid fabric softeners.
- **DO NOT** use the Downy Ball\* in the fabric softener compartment with this washer. It will not add fabric softener at the appropriate time. Use the detergent compartment. (\* Brand names are trademarks of their respective manufacturers.)
- Do not use liquid fabric softener that is too sticky as it may not mix with the water sufficiently.

# Maintaining your washer

## Cleaning the exterior

1. Turn off the water faucets after finishing the day's washing. This will shut off the water supply to your washer and prevent the unlikely possibility of damage from escaping water. Leave the lid open to allow the inside of your washer to dry out.
2. Use a soft cloth to wipe up all detergent, bleach or other spills as they occur.
3. Clean the following as recommended: Control Panel – Clean with a soft, damp cloth. Do not use abrasive powders or cleaning pads. Do not spray cleaners directly on the panel.

## Cleaning the interior

Clean the interior of your washer periodically to remove any dirt, soil, odor, mold, mildew, or bacterial residue that may remain in your washer as a result of washing clothes.

Failure to follow these instructions may result in unpleasant conditions, including odors and/or permanent stains on your washer or laundry.

Hard water deposits may be removed, if needed. Use cleaners labeled "Washer safe".

## Storing your washer

Washers can be damaged if water is not removed from hoses and internal components before storage.

Prepare your washer for storage as follows:

1. Select the Quick Wash cycle and add bleach to the automatic dispenser. Run your washer through the cycle without a load.
2. Turn the water faucets off and disconnect the inlet hoses.
3. Unplug your washer from the electrical outlet and leave your washer lid open to let air circulate inside the drum. If your washer has been stored in below-freezing temperatures, allow time for any leftover water in your washer to thaw out before use.

## Preserving the top cover and the front frame

Do not place any heavy or sharp objects or a detergent box on the washer. They can scratch or damage the top cover of the unit.

### NOTE

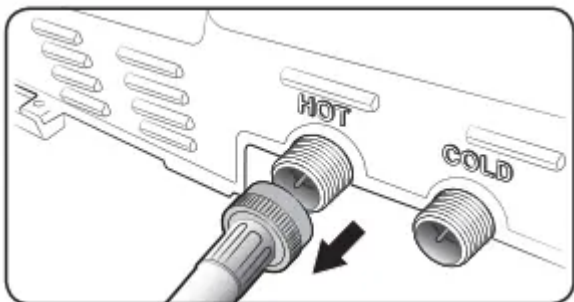
Since the entire washer has a high-gloss finish, the surface can be scratched or damaged.

Avoid scratching or damaging the surface when using the washer.

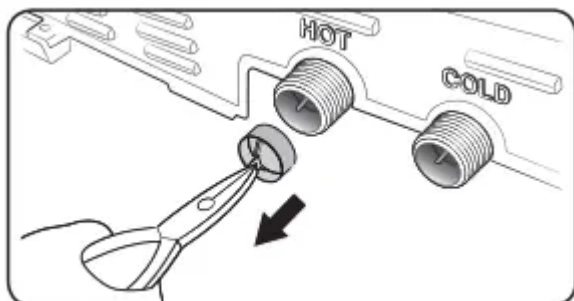
## Cleaning mesh filter

Clean the mesh filter of the water hose once or twice a year.

1. Turn off the washer, and then unplug the power cord.
2. Close the faucet.
3. Loosen and disconnect the water hose from the back of the washer. Cover the hose with a cloth to prevent water from gushing out.



4. Use pliers to pull out the mesh filter from the inlet valve.
5. Submerge the mesh filter deeply in water so that the threaded connector is also submerged.
6. Dry the mesh filter completely in a shaded area.
7. Reinsert the mesh filter into the inlet valve, and reconnect the water hose to the inlet valve.
8. Open the faucet.



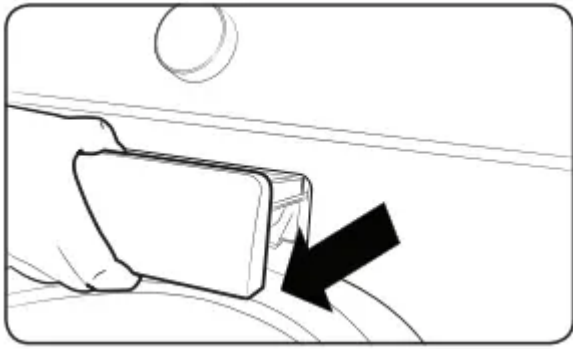
### NOTE

If the mesh filter is clogged, the “4C” information code appears on the the washer’s display screen.

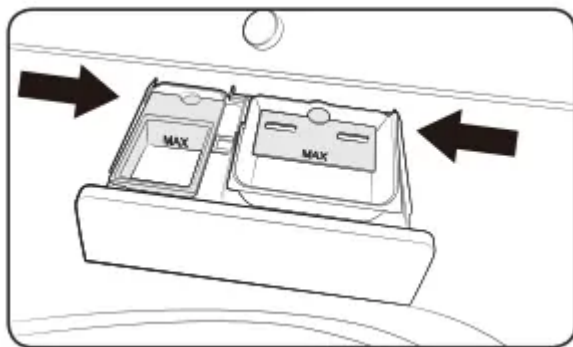
## Cleaning the dispensers

The automatic dispenser may need to be cleaned periodically due to laundry additive buildup.

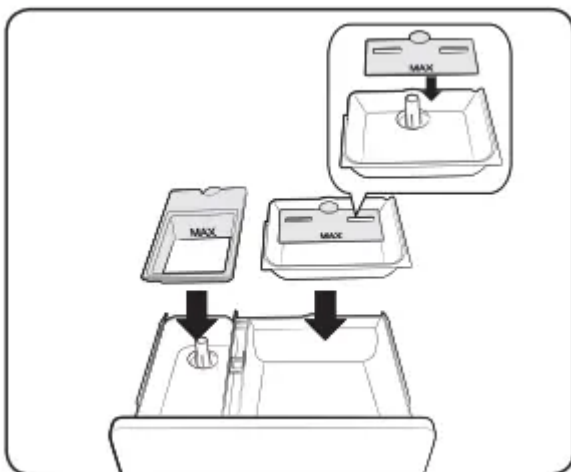
1. Pull the dispenser drawer straight back until it stops.



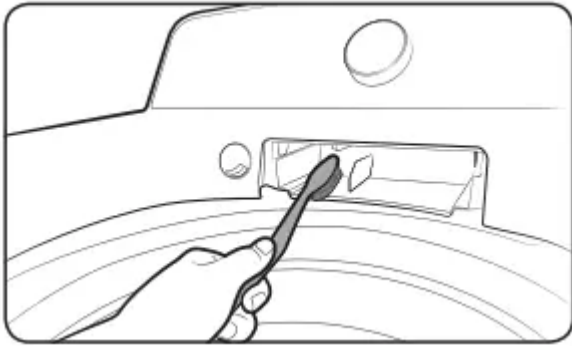
2. Push the ends of each side of the case at the same time.  
When you feel the ends push, pull out the dispenser drawer.



3. Remove the inserts from the 3 compartments. Rinse the inserts and the drawer with warm water to remove traces of accumulated laundry products.

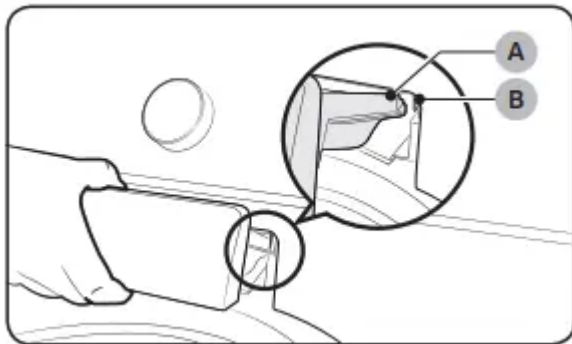


4. To clean the drawer opening, use a small, non-metal brush to clean the recess. Remove all residue from the upper and lower parts of the recess.



5. Return the inserts to the proper compartments and replace the drawer by placing the dispenser drawer rail (B) on top of the compartment rail (A) (Tilt the dispenser drawer downward and insert it).

Then push the drawer in firmly and slowly.



## Self Clean

Certain usage and environmental conditions may result in some residue build-up or odor in the washer tub. To prevent this build-up of residue or odor causing bacteria and keep your washer tub fresh and clean, perform the Self Clean cycle at least once a month or every 20 cycles.

Perform the recommended procedure below when using the Self Clean cycle.

1. Remove all items from the washer tub and ensure the tub is empty. Laundry left in the tub during the Self Clean cycle may be damaged.
2. Press Power.
3. Select Self Clean. Once Self Clean is selected, the only function that can be set is Delay End.
4. Press Start/Pause. Self Clean begins.

## Self Clean reminder

- After 20 washing cycles, the Self Clean LED reminder icon and the Self Clean cycle LED will blink on the control panel for an hour and then turn off automatically.

- The reminder will appear on the control panel for 5 additional consecutive cycles before turning off. The next reminder will not appear until another 20 cycles have been completed.

## Troubleshooting

### Checkpoints

If you encounter a problem with the washer, first check the table below and try the suggestions.

#### Does not turn on.

- Make sure you use rated power for the product.
- Make sure the power cord is completely plugged in.
- Check the fuse or reset the circuit breaker.

#### Does not start.

- Make sure the door is closed.
- Make sure the water taps are open.
- Make sure to press or tap Start/Pause to start the washing machine.
- Make sure Child Lock is not activated.
- Before the washing machine starts to fill, it will make a series of clicking noises to check the door lock and does a quick drain.
- Was the door opened during the spinning cycle? Close the door, and press or tap Start/Pause to resume.
- The machine enters Standby or is in a soaking cycle. Please wait.
- Check the fuse or reset the circuit breaker

#### Water is not supplied.

- Make sure you press or tap Start/Pause after selecting the water supply.
- Make sure the water taps are open.
- Is the filter net at the water supply hose connector clogged? Clean the filter net by brushing with a toothbrush.
- Is the water supply cut off? If the water supply is cut off, close the tap and power off.
- Straighten the water supply hoses.
- Open and close the door, then press or tap Start/Pause.
- If the water pressure is low, it takes longer to start washing.
- If the water level is not as high as necessary or lower than expected, use the level selector to adjust the water level.

**After a cycle, detergent remains in the automatic dispenser.**

- Make sure the washing machine is running with sufficient water pressure.
- Make sure the detergent drawer is properly inserted.
- Remove and clean the detergent drawer, and then try again.

**Vibrates excessively or makes noise.**

- Make sure the washing machine is set on a level floor. If the floor is not level, use the levelling feet to adjust the washing machine.
- Make sure the washing machine is not contacting any other object.
- Make sure the laundry load is balanced.
- Make sure the laundry is spread evenly in the washing machine. Spread out the laundry evenly and start again.
- Make sure the space around the washing machine is free of objects.
- Humming is produced normally during operation.
- Objects such as coins can cause noise. Remove these objects from the washing machine after washing is complete.

**Stops.**

- Plug the power cord into a live electrical outlet.
- Check the fuse or reset the circuit breaker.
- Close the door, and press or tap Start/Pause to start the washing machine. For your safety, the washing machine will not spin unless the door is closed.
- Before the washing machine starts to fill, it will make a series of clicking noises to check the door lock and does a quick drain.
- There may be a pause or soak period in the cycle. Wait briefly and the washing machine may start.
- Make sure the inlet hose screens at the taps are not clogged. Periodically clean the screens.
- This problem occurs temporarily due to low voltages, and will be solved when power recovers.

**Fills with the wrong temperature water.**

- Fully open both water taps.
- Make sure the temperature selection is correct.
- Make sure the hoses are connected to the correct water taps.
- Flush water lines.
- Disconnect the hoses and clean the screens. The hose filter screens may be clogged.

- While the washing machine fills, the water temperature may change as the automatic temperature control feature checks incoming water temperature. This is normal.
- While the washing machine fills, you may notice just hot and/ or just cold water going through the dispenser when cold or warm temperatures are selected. This is a normal function of the automatic temperature control feature as the washing machine determines the water temperature.

**Door (Lid) locked or will not open.**

- While the washing machine is operating, press or tap Start/Pause to stop the washing machine.
- It may take a few moments for the door lock mechanism to disengage.

**Does not drain and/ or spin.**

- Check the fuse or reset the circuit breaker.
- Make sure the electrical voltage is normal.
- Make sure the washing machine is plugged in.
- Make sure the drain hose is pointed downward. (Natural drain models only)
- Make sure the drain hose is not clogged.
- Make sure the drain hose is not kinked.
- Straighten the drain hose. If there is a drain restriction, call for service.
- Close the door, and press or tap Start/Pause. For your safety, the washing machine will not spin unless the door is closed.

**Load is wet at the end of the cycle.**

- Use the High or Extra High spin speed. (Applicable model only)
- Use high efficiency (HE) detergent to reduce oversudsing.
- Load is too small. Small loads (one or two items) may become unbalanced and not spin completely.

**Leaks water.**

- Make sure all hose connections are tight.
- Make sure the water supply hose's rubber packing is in the correct position. Screw tightly again.
- Make sure the end of the drain hose is correctly inserted and secured to the drain system.
- Avoid overloading.
- Use high efficiency (HE) detergent to prevent oversudsing.
- Make sure the water supply hose is not kinked.

- If the water supply is too strong, water may leak. Close the water tap a little.
- Make sure water is not leaking from the water tap. If so, repair the water tap.

#### **Excessive suds.**

- Use high efficiency (HE) detergent to prevent oversudsing.
- Reduce the detergent amount for soft water, small loads, or lightly soiled loads.
- Non-HE detergent is not recommended.

#### **The spin basket or drain/supply hose is frozen.**

- Use warm water to disconnect the water supply hose and drain hose. Soak them in warm water.
- Fill the spin basket with warm water, and then wait for about 10 minutes.
- Put a hot towel on the drain hose connector.
- Reconnect the water supply hose and drain hose, and check if water is supplied properly.

#### **Water drains out immediately.**

- Make sure the drain hose is not clogged, and is hung over the drain hose hook. Fill the spin basket halfway with water, and try spinning again.
- Lift the end of the drain hose to prevent water from draining. Fill the spin basket halfway with water, and then run spinning after releasing the drain hose.
- Make sure the drain hose is installed correctly. See the installation section of this user manual and adjust the position of the drain hose as instructed.

#### **Stains on clothes.**

- Select an appropriate cycle for the laundry. Use the Heavy Duty cycle for stained clothes.
- Apply a recommended amount of detergent as instructed by the detergent manufacturer.
- Clean the magic filter (if it comes with your washer) on a regular basis.

#### **Has odours.**

- Excessive suds collect in recesses and can cause foul odours.
- Run cleansing cycles to sanitize periodically.
- Dry the washing machine interior after a cycle has finished.

### **Information codes**

The washer may display information codes to help you understand what is occurring with your washer better.

#### **Code - 1C**

The WaterLevel sensor is not working properly.

- Check WaterLevel Sensor wire harness.
- If the information code remains, contact a customer service centre.

#### NOTE

When the washer displays “1C”, the washer do draining for 3 minutes. During this time, the Power button is inoperative.

#### **Code - 3C**

Check the motor for operation.

- Try restarting the cycle.
- If the problem continues, call for service.

#### **Code - 4C**

Water is not supplied.

- Make sure the water taps are open.
- Make sure the water hoses are not clogged.
- Make sure the water taps are not frozen.
- Make sure the washing machine is operating with sufficient water pressure.
- Make sure that the cold water tap and the hot water tap are properly connected.
- Clean the mesh filter as it may be clogged.

#### NOTE

When the washer displays “4C”, the washer do draining for 3 minutes. During this time, the Power button is inoperative.

#### **Code - 4C2**

- Make sure the cold water supply hose is firmly connected to the cold water tap.

If it is connected to the hot water tap, the laundry may be deformed with some cycles.

#### **Code - 5C**

Water is not draining.

- Make sure the drain hose is not frozen or clogged.
- Make sure the drain hose is positioned correctly, depending on the connection type.
- Clean the debris filter as it may be clogged.
- Make sure the drain hose is straightened all the way to the drain system.
- If the information code remains, contact a customer service centre.

#### **Code - 9C1**

The electronic control needs to be checked (Over Voltage Error).

- Check the PCB and wire harness.
- Check if power is supplied properly.
- If the information code remains, contact a customer service centre.

#### **Code - 9C2**

Low voltage detected

- Check if the power cord is plugged in.
- If the information code remains, contact a customer service centre.

#### **Code - AC6**

Inverter Communication problem

- Check the Inverter PCB and wire harness.
- If the information code remains, contact a customer service centre.

#### **Code - dC**

Operating the washer with the door open.

- Make sure the door is properly closed.
- Make sure laundry is not caught in the door.

#### **Code - HC**

High temperature heating check.

- If the information code remains, contact a customer service centre.

#### **Code - LC**

Check the drain hose.

- Make sure the end of the drain hose is placed on the floor.
- Make sure the drain hose is not clogged.
- If the information code remains, contact a customer service centre.

#### **NOTE**

When the washer displays "LC", the washer do draining for 3 minutes. During this time, the Power button is inoperative.

#### **Code - OC**

Water is overflowed.

- Restart after spinning.
- If the information code remains on the display, contact a local Samsung service centre.

### **Code - PC**

When position of the clutch can't be detected.

- If the information code remains, contact a customer service centre.

### **Code - PC1**

After position of the clutch is detected, if the signal of the clutch hall goes wrong.

- If the information code remains, contact a customer service centre.

### **Code - Ub**

Spinning does not work.

- Make sure laundry is spread out evenly.
- Make sure the washing machine is on a flat, stable surface.
- Redistribute the load. If only one item of clothing needs washing, such as a bathrobe or pair of jeans, the final spin result might be unsatisfactory, and an "Ub" check message will be

1. shown in the display.

### **Code - Ur**

Additional rinsing.

- Show additional rinsing in sensing unbalance.
- Method of releasing the display.

Any key input.

#### **Warning**

This content is compiled from multiple sources and is provided for reference purposes only. It may not be complete or fully applicable to all situations. If you are unable to resolve your issue, please contact the product manufacturer or an authorized service provider for official support.