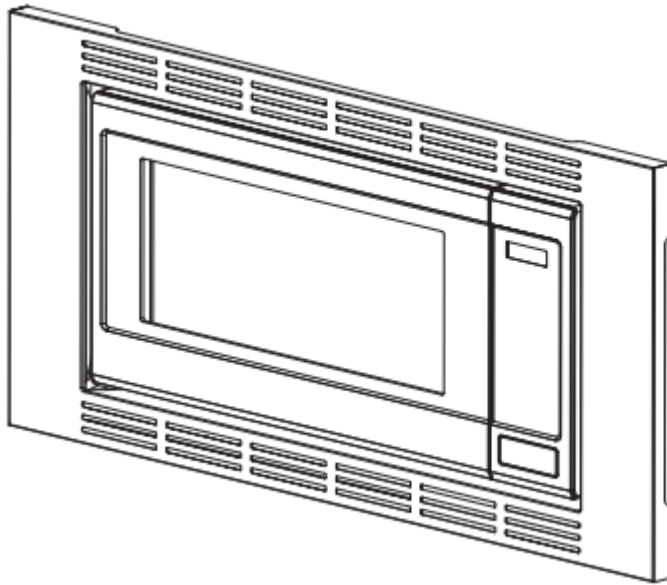


User Manual Trim Kit



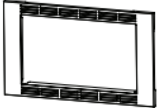

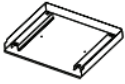





CAUTION Read and follow all instructions completely.

1. This Trim Kit is designed for use only with the Panasonic Microwave Oven listed in the table below, for installation into a cabinet.
2. The dimensions and ground clearance of the cabinet opening must be as indicated in Figure 1 on page 6 to 9.
3. For safe use of your microwave oven, do not alter or modify any part of this kit or the microwave oven.
4. The microwave oven must be used with a properly grounded 3-prong receptacle in compliance with the National Electrical code, as well as any applicable local regulations. Refer also to the microwave operating instructions for other safety and electrical requirements.
5. The microwave oven must be unplugged from the wall receptacle before attempting the installation of this kit.
6. Save these instructions for local inspection and relocation of the microwave oven.
7. Use caution so that the power cord is not pinched during installation.
8. The diagrams in these instructions may vary from the actual unit and is only for reference.

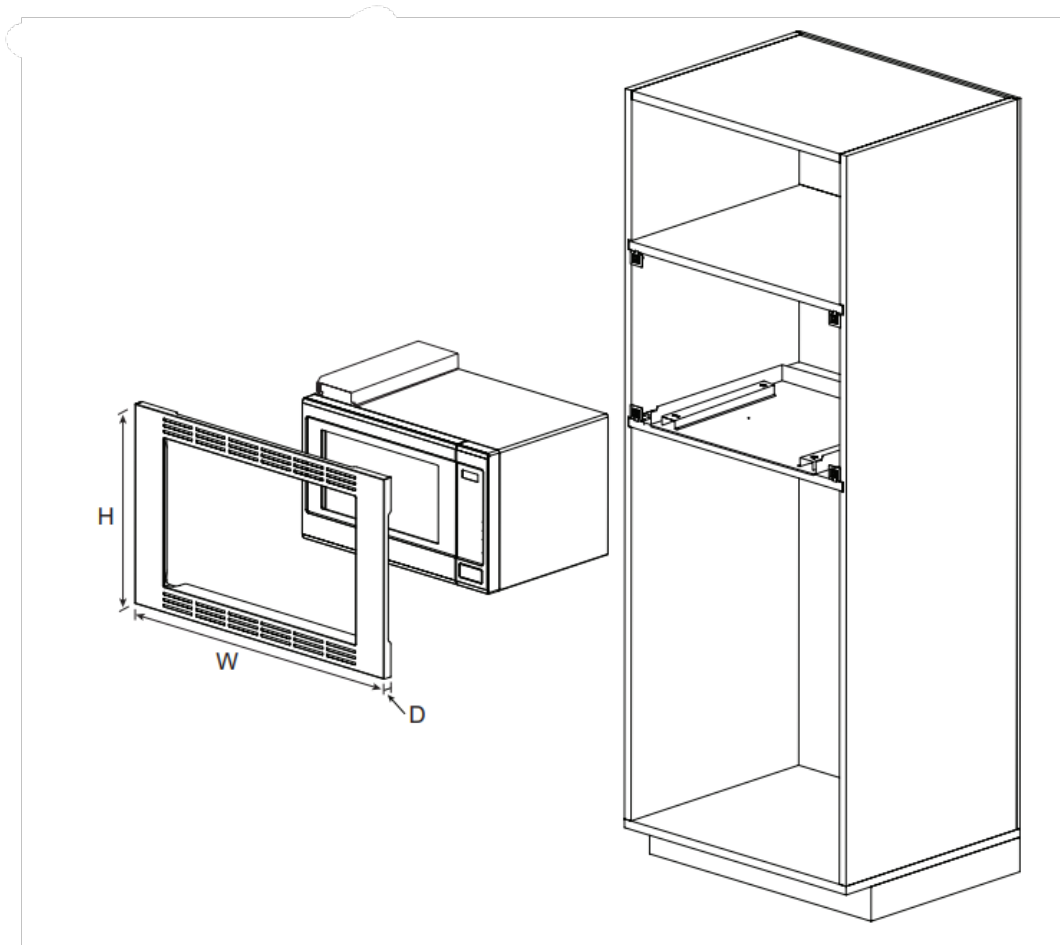
1. Parts List

Tools Needed: Measuring tape, pencil, Phillips screwdriver, $\varnothing 2$ (5 /64") mm drill

Parts Supplied

PART/PIÈCE/PIEZA		QUANTITY/QUANTITÉ/ CANTIDAD
	Trim Frame Cadre d'encastrement Marco del acabado	1
	Left Duct Conduit du côté gauche Conducto izquierdo	1
	Base Bracket Assembly Base des supports de montage Abrazadera de montaje de la base	1
	Bracket Support Ménsula	4
	Catch Loquet Pestillo	4
	Screw Vis Tornillo	10
	Strike Gâche Tarugo	4
	Tape Bande adhésive Cinta adhesiva	2

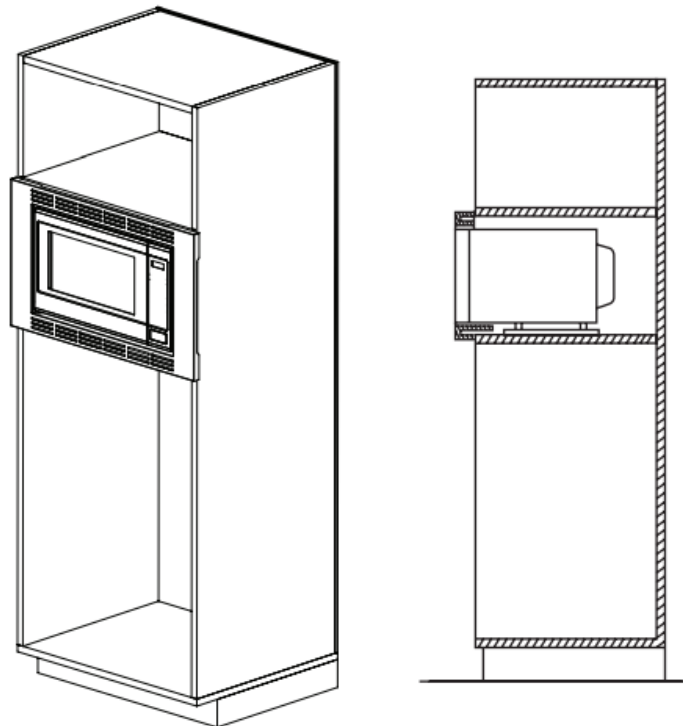
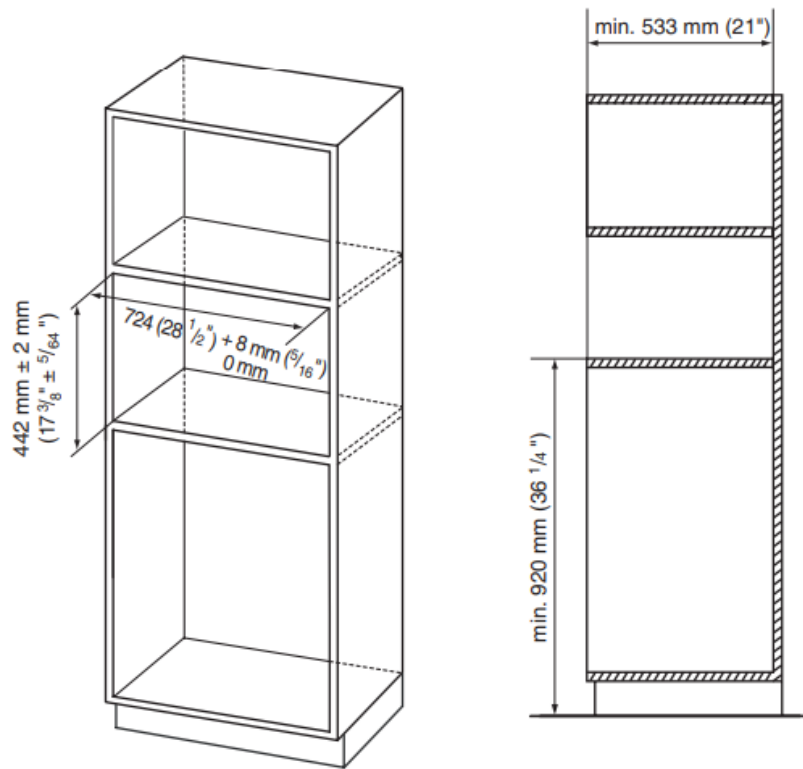
2. Installation Diagram



Trim Kit Dimensions				
	TK932S	TK922S	TK732S	TK722S
Width	30" (760 mm)	27" (684 mm)	30" (760 mm)	27" (684 mm)
Height	18 V (472 mm)	18 %;" (472 mm)	16 1/2" (419 mm)	16 'A" (419 mm)
Depth (Thickness)	%" (20 mm)	%" (20 mm)	%" (20 mm)	%" (20 mm)

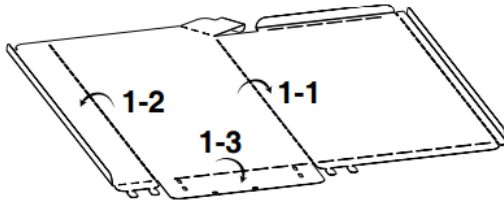
3. Cabinet Diagram and Dimensions (For TK932S)

fig 1.

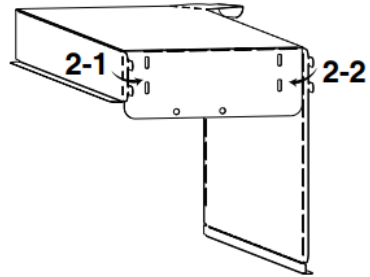


4. Left Duct Preparation

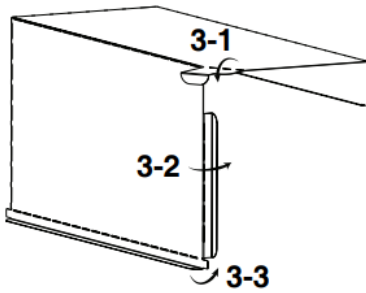
1.



2.

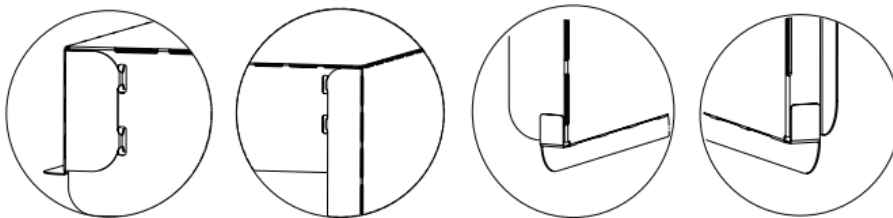
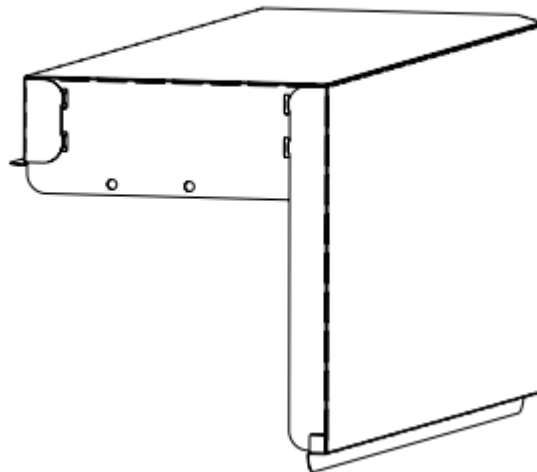


3.

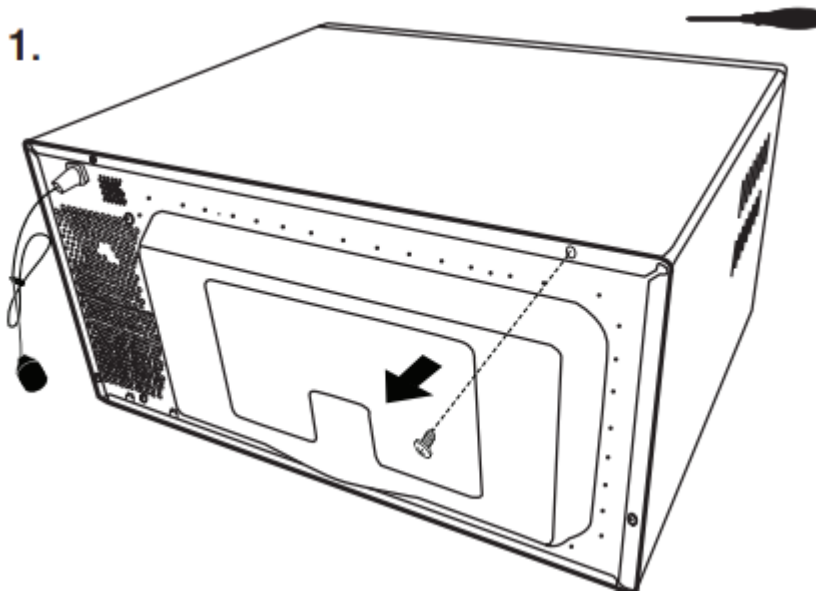


Note: All folding must be done at a 90° angle. Otherwise, it won't fit well.

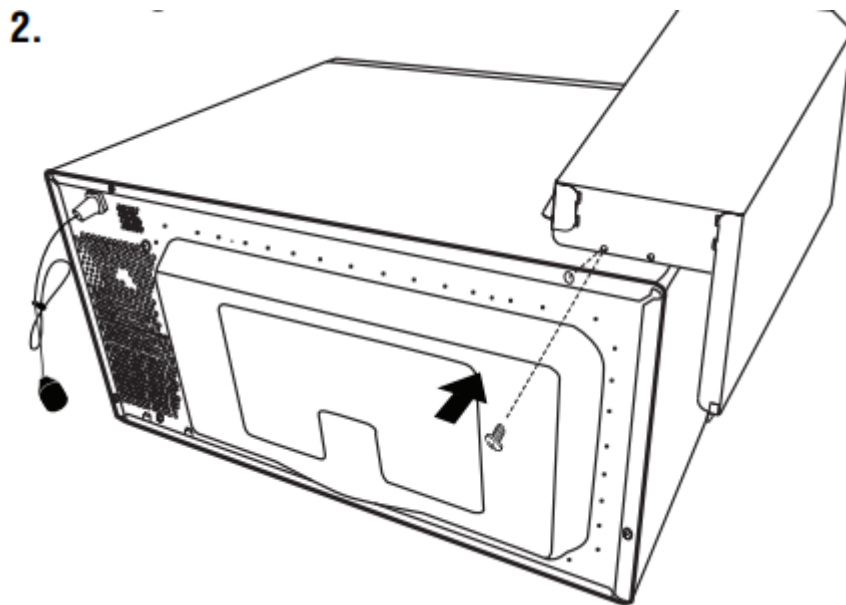
4.



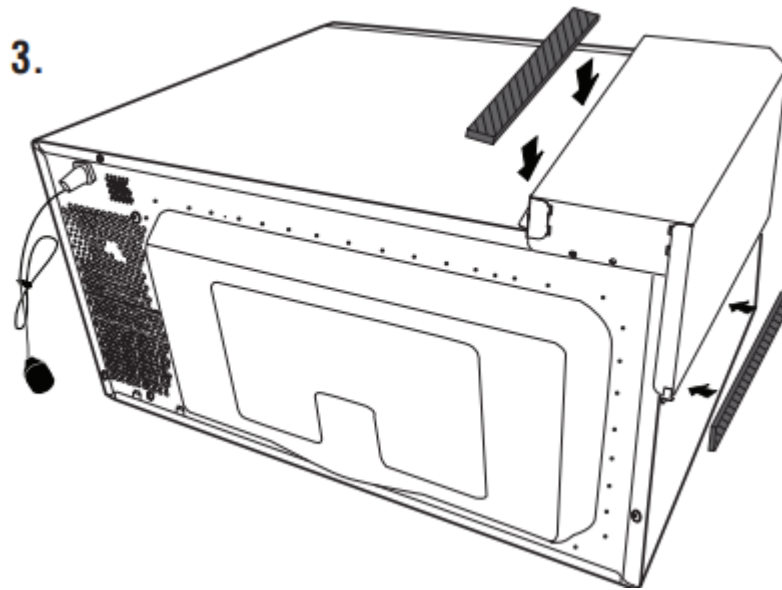
5. Microwave Oven Preparation



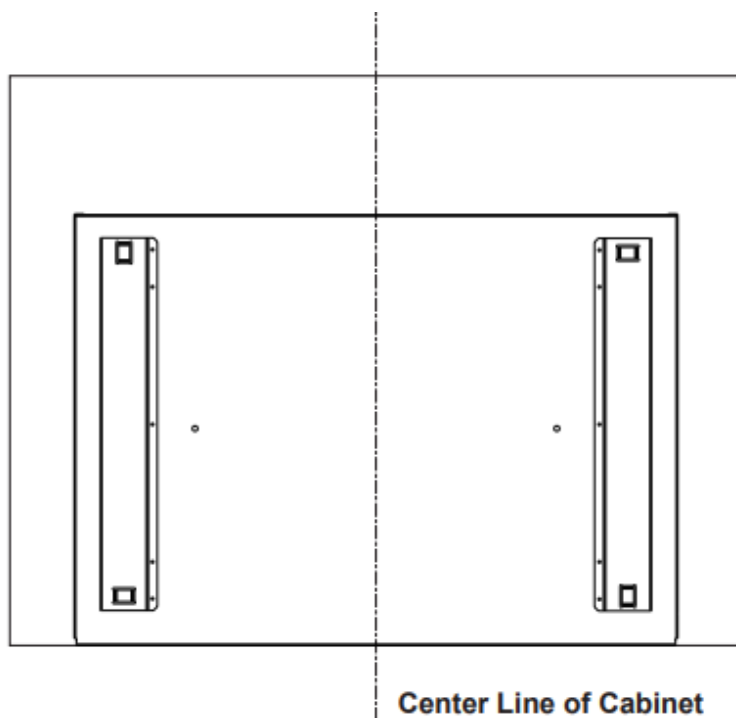
Align the screw hole and tighten the screw.



Put a piece of the tape on the top of oven and put a piece of the tape on left of oven and left duct.



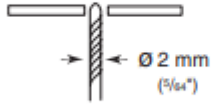
6. Lower Duct Installation



1. Aligning the base bracket assembly

Position Base Bracket Assembly on cabinet shelf. The front end of Base Bracket Assembly should align flush with the front edge of the shelf.

2. Attaching the base bracket assembly

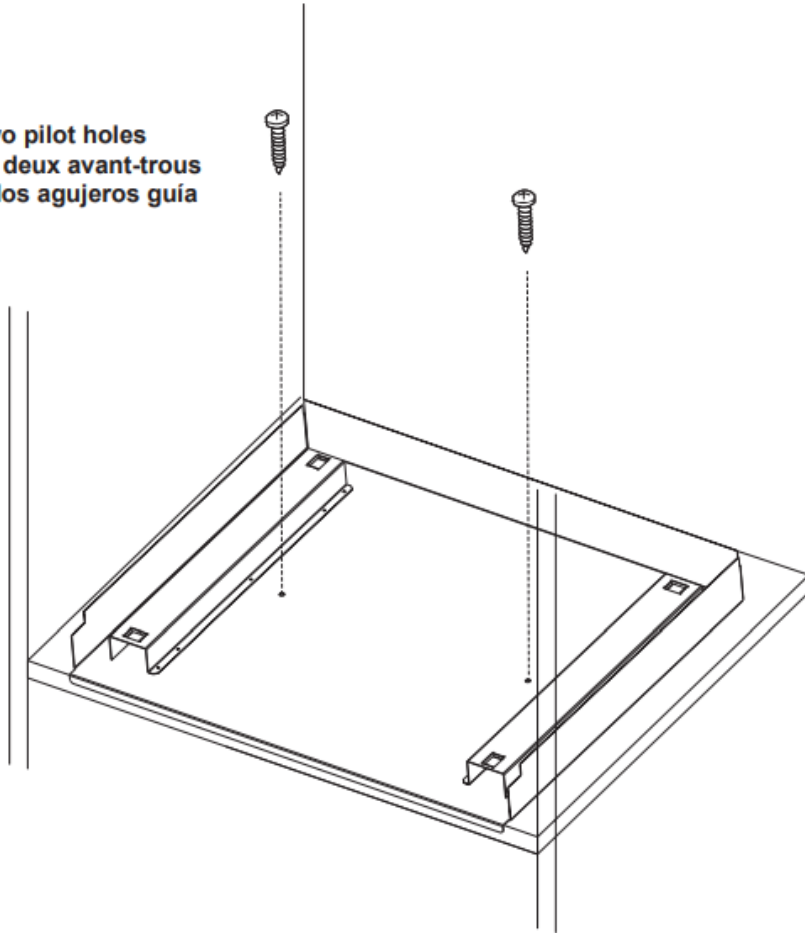


Drill bit
Foret
Broca



2x

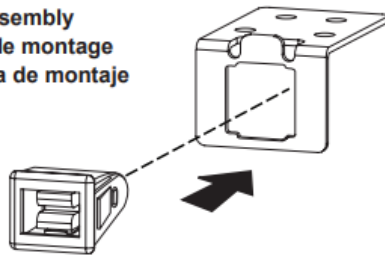
Drill two pilot holes
Percer deux avant-trous
Haga dos agujeros guía



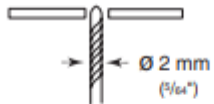
7. Cabinet Preparation

1. Bracket assembly

1. Bracket assembly
Supports de montage
Abrazadera de montaje



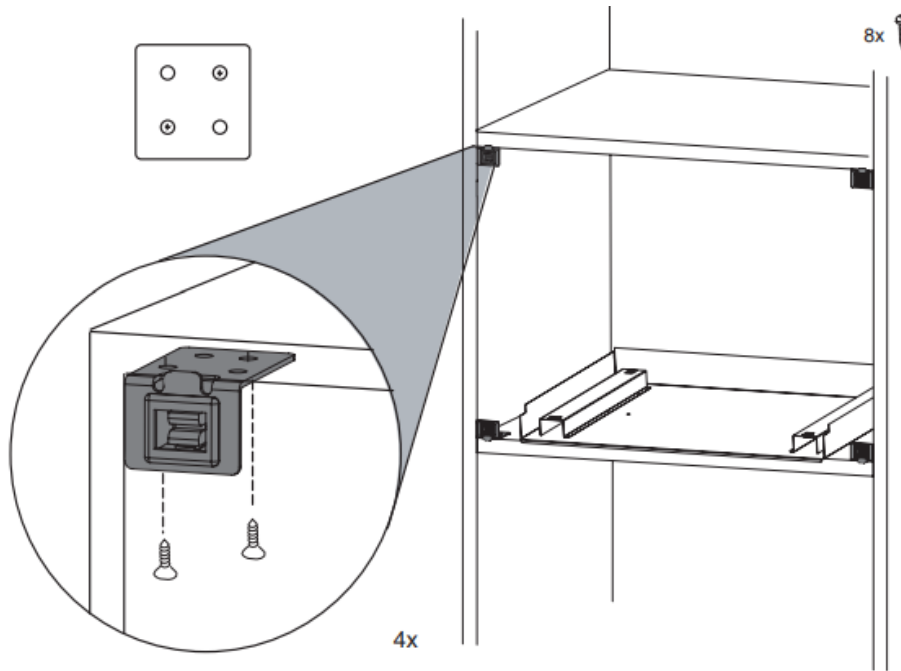
2. Attaching the bracket



Drill bit
Foret
Broca



8x



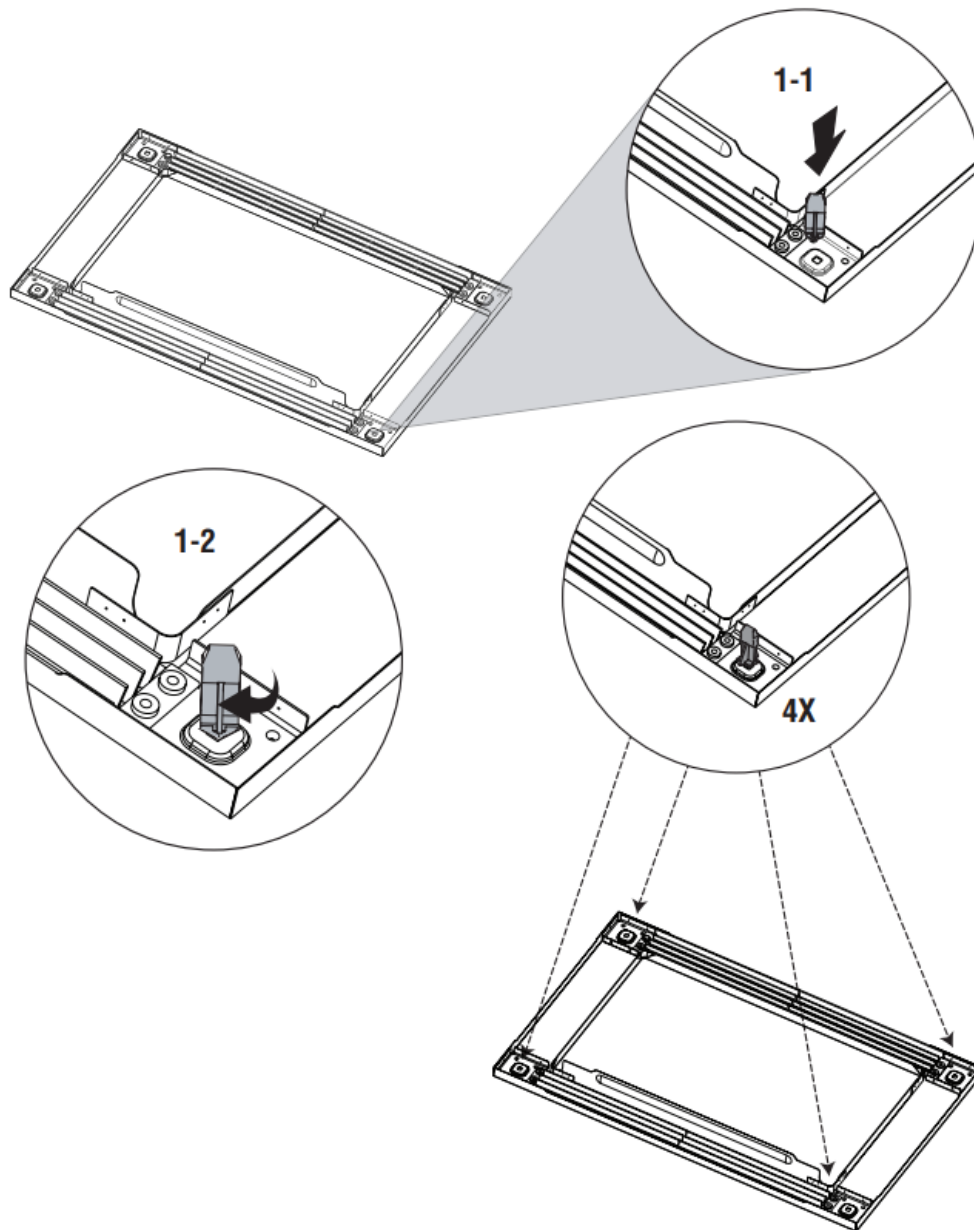
2 screws on each bracket



8. Trim Kit Preparation

Trim Frame

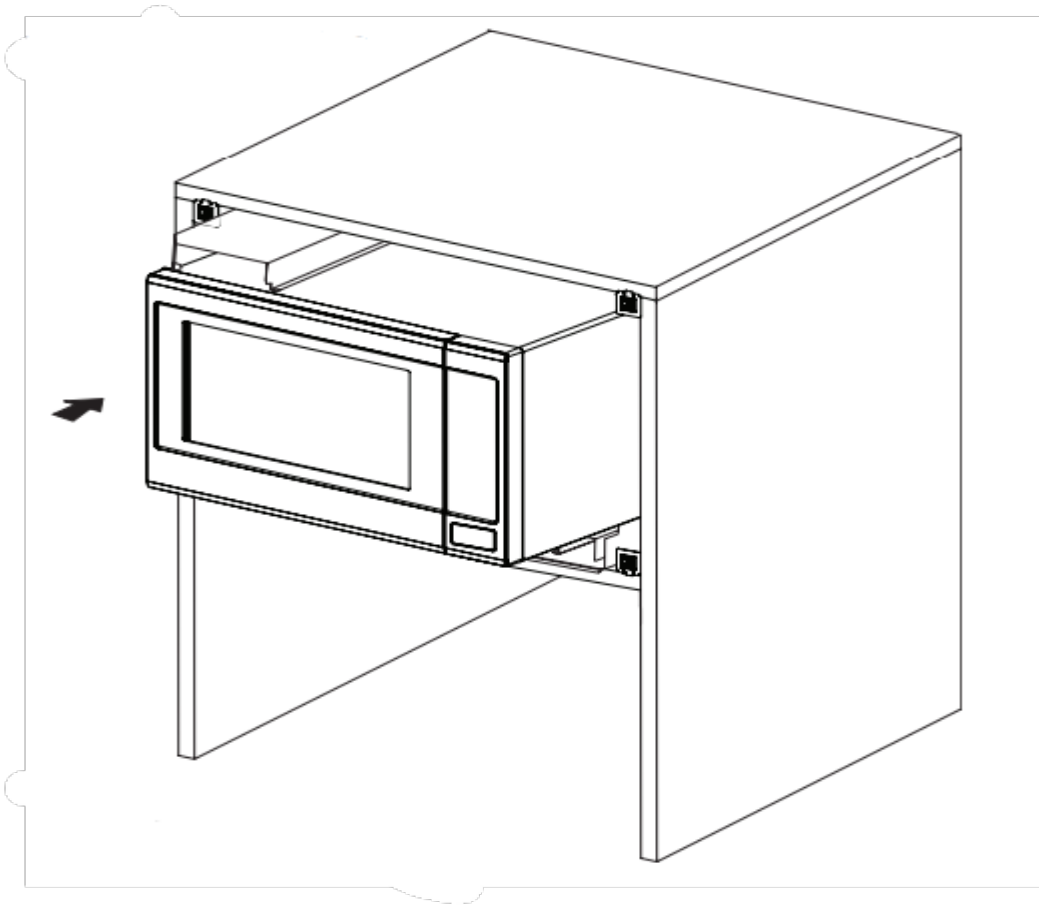
1. Inserting strikes

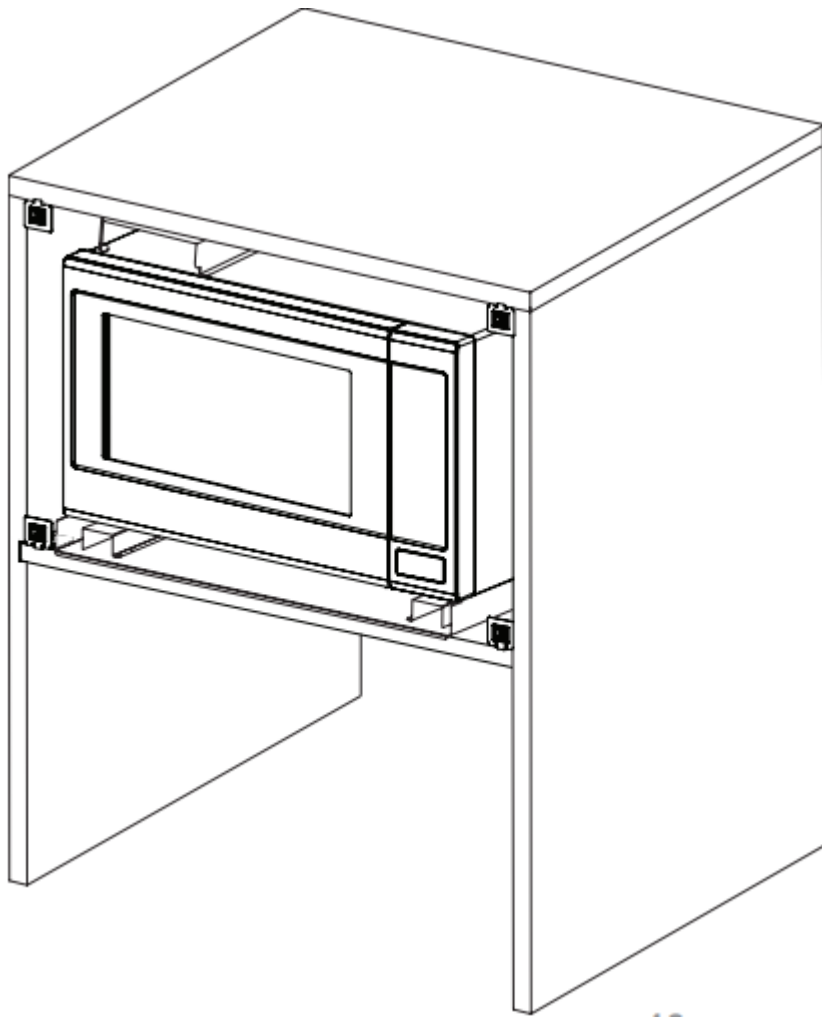


9. Microwave Oven Installation

Complete the assembly

1. Oven placement

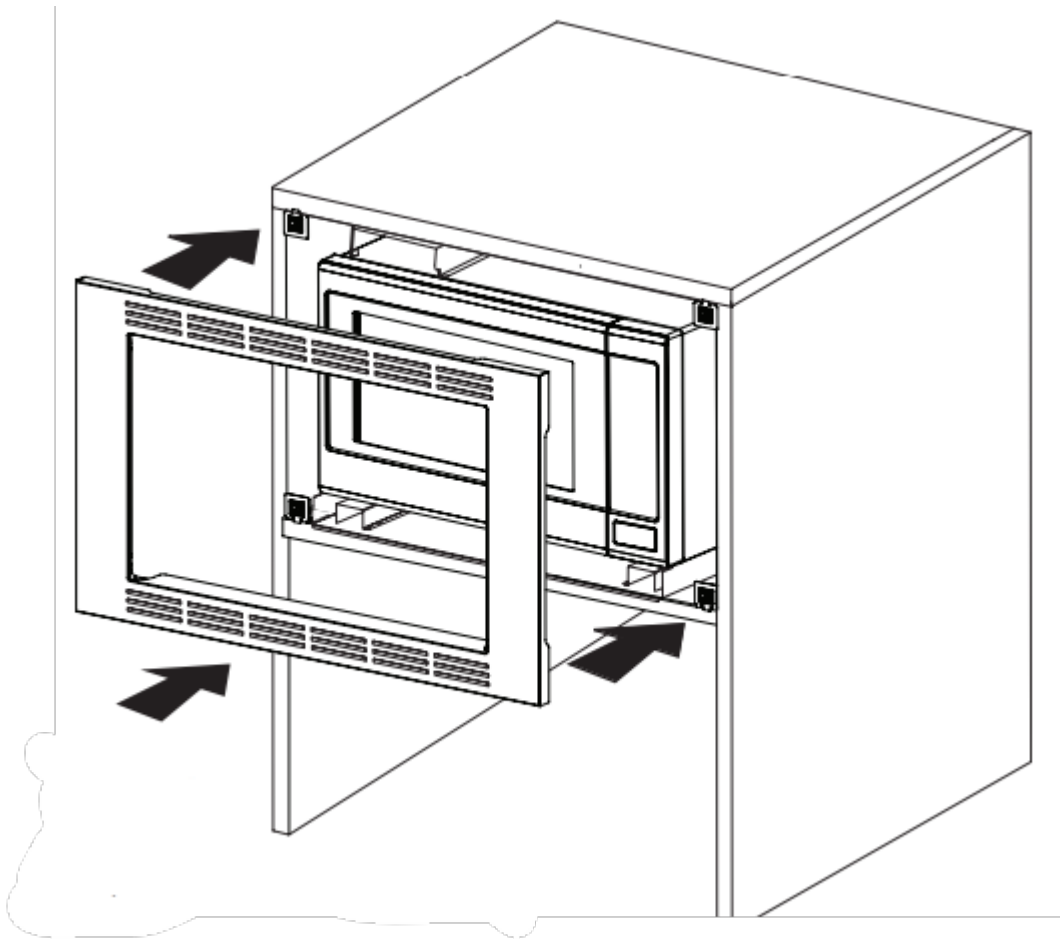




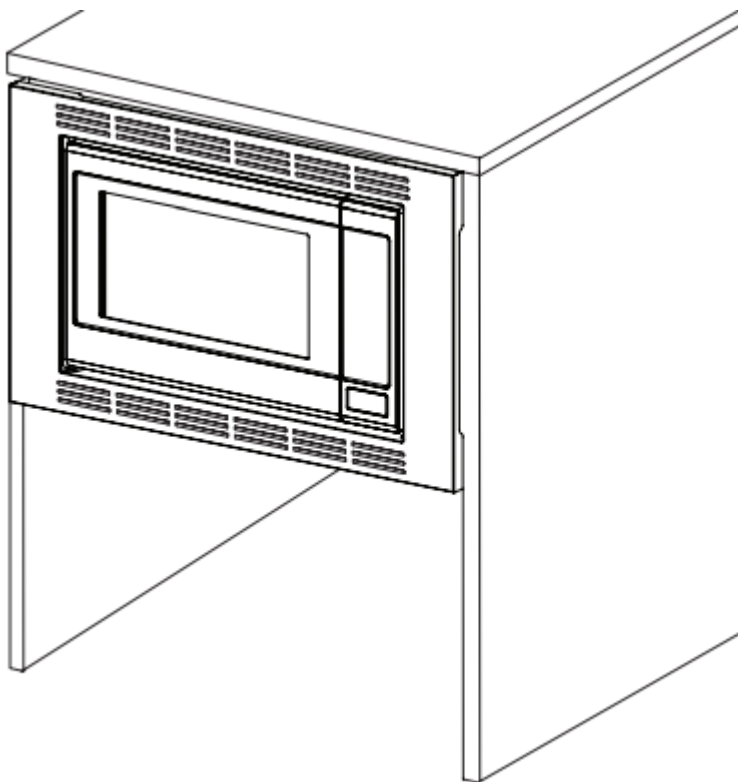
10. Trim Kit/Finishing Installation

Complete the assembly

1. Trim frame installation



Note: Place the trim frame with the extended lip at the bottom



Warning

This content is compiled from multiple sources and is provided for reference purposes only. It may not be complete or fully applicable to all situations. If you are unable to resolve your issue, please contact the product manufacturer or an authorized service provider for official support.

Document generated by [ManualsFile](#)