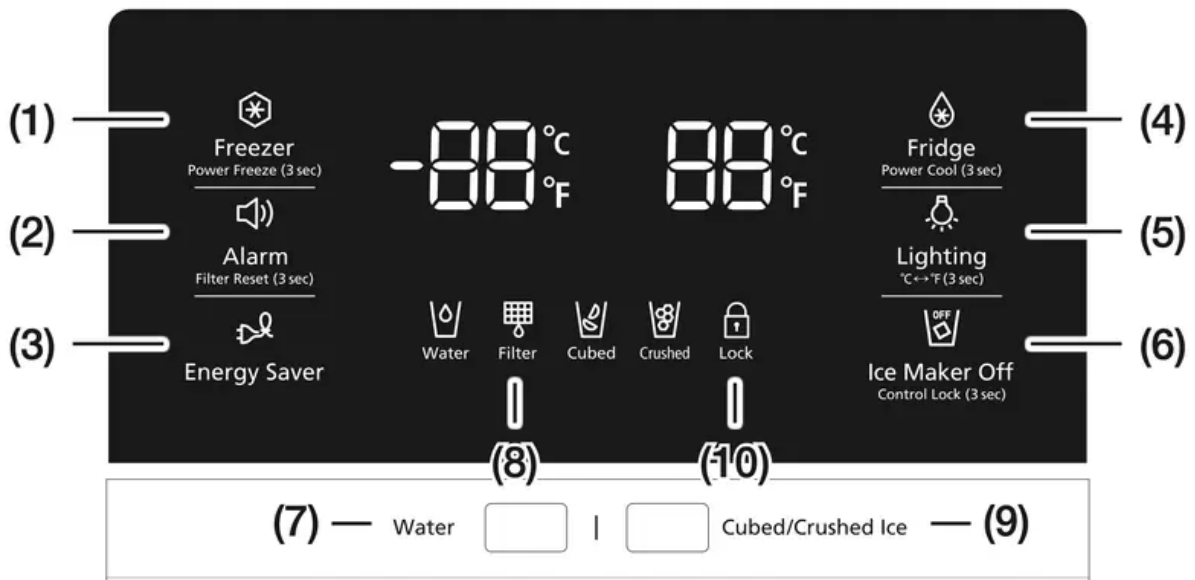


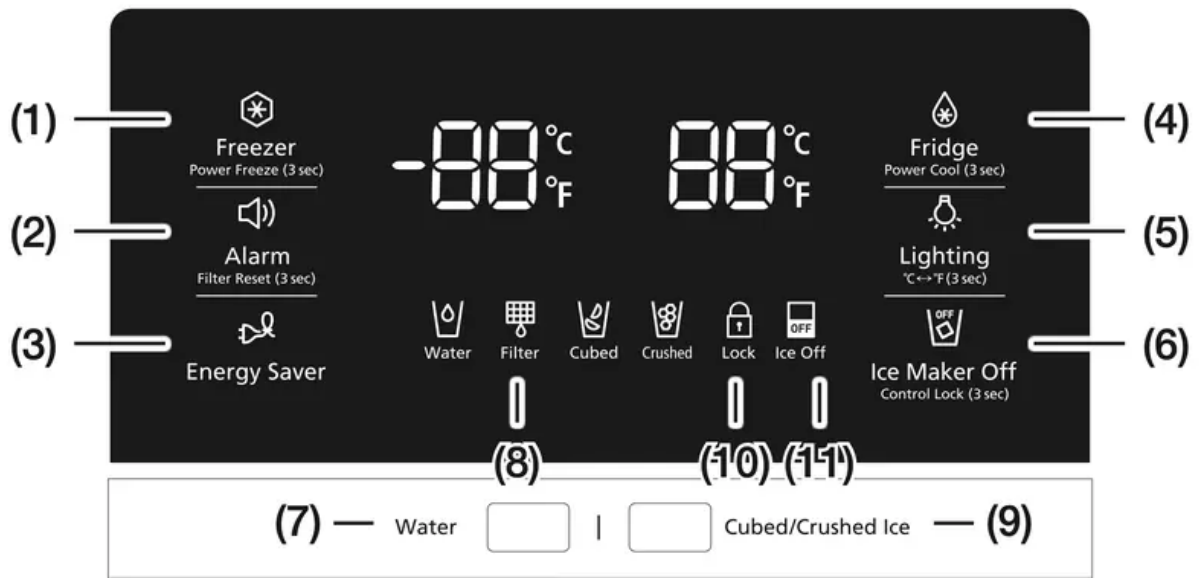
Operating your French Door Refrigerator

USING THE CONTROL PANEL

RF28*DED**, RF28HDEDP*



RF28HDEDT*



(1) Freezer / Power Freeze (3 sec)

The Freezer button serves two purposes:

- To set the Freezer to your desired temperature.
- To turn the Power Freeze function on and off.

1. To set the Freezer temperature, touch the Freezer button.

You can set the temperature between 5 °F (-15 °C) and -8 °F (-23 °C).

2. Power Freeze function

Touch and hold this button for 3 seconds to decrease the time needed to freeze products in the Freezer.

It can be helpful if you need to quickly freeze easily spoiled items or if the temperature in the freezer has warmed dramatically.

(For example, if the door was left open.)

When you use this function, the energy consumption of the refrigerator will increase.

Remember to turn it off when you don't need it and return the freezer to your original temperature setting.

If you need to freeze a large amount of food, activate the Power Freeze function at least 24 hours before you put the food into



(2) Alarm / Filter Reset (3 sec)

The Alarm button serves two purposes:

- To turn the door open alarm on and off.
- To reset the water filter life indicator.

1. Door Alarm Function

If the door alarm is set to On, an alarm beeps if any refrigerator door is left open for more than three minutes.

The beeping stops when you close the door.

The door alarm function is pre-set to On in the factory.

You can turn it off by pressing and then releasing the Alarm button.

You can turn it back on in the same fashion.

The icon lights up when the function is on.



When the Door Alarm function is on and the alarm sound is triggered, the Door Alarm Icon will blink while the alarm sounds.

2. Water Filter Life Indicator Function

After you replace the water filter, touch and hold this button for 3 seconds to reset the water filter life indicator.

When you reset the water filter life indicator, the Filter icon on the panel turns Off

(3) Energy Saver

Touching this button turns Energy Saver mode on and off.

When you turn Energy Saver on, the Energy Saver icon lights.



Turn Energy Saver off and the icon goes off.

The Energy Saver function automatically turns on when power is supplied to the refrigerator.

If condensation or water drops appear on the doors, turn the Energy Saver mode off.

(4) Fridge / Power Cool (3 sec)

The Fridge button serves two purposes:

- To set the Fridge to your desired temperature.
- To turn the Power Cool function on and off.



1. To set the Fridge temperature, press the Fridge button.

You can set the temperature between 44 °F (7 °C) and 34 °F (1 °C).

2. Power Cool function

Touch and hold this button for 3 seconds to decrease the time needed to cool products in the Refrigerator.

It can be helpful if you need to quickly cool easily spoiled items or if the temperature in the fridge has warmed dramatically (for example, if the door was left open).

(5) Lighting / °C↔°F (3 sec)

The Lighting button serves two purposes:

- To turn the dispenser light on and off.
- To switch the temperature units between °C and °F.

1. Light Function

Touching the Lighting button turns on the Dispenser LED lamp in continuous mode so that it stays on continuously.

The button also lights up.



If you want the Dispenser lamp to come on only when some one uses the dispenser, press the Lighting button to turn the continuous mode off.

2. To switch the temperature units between °C and °F.

Touch and hold this button for 3 seconds to select the temperature display you want. Each time you press and hold the button, the °C and °F temperature modes alternate and the °C or °F icon lights up, indicating your selection.

(6)
(11)

Ice Maker Off / Control Lock (3 sec)

The Ice Maker Off button serves two purposes:

- To turn the Ice maker on and off.
- To turn the Control Lock Function on and off.

1. Ice Off Function



If you don't want to make more ice, press the Ice Maker Off button.

The icon lights and the Ice Maker stops making ice.



If the ice maker function is ON, and the water Line is not connected, there will be a water valve noise from the back of the unit.



Press the Ice Maker Off (Control Lock (3 sec)) button for less than 3 seconds until the Ice Off Indicator ( ) illuminates.

2. Control Lock Function

Touch and hold this button for 3 seconds to lock the display and the dispenser buttons so the buttons cannot be used.

When Control Lock is on, the refrigerator does not dispense ice or water, even if the Dispenser Lever is pressed.

The Control Lock icon lights to indicate you've activated the Control Lock function.

Touch and hold the button 3 seconds to unlock.

(7) Water



Touch this button to dispense water.
This mode cannot be used with the Ice Type mode simultaneously.
Water mode shuts off when you touch the Cubed / Crushed Ice button.

To save electricity, the Panel Display turns off automatically under the following conditions: When no button has been pressed, when no doors are open, or when no Dispenser Lever has been pushed.

However, the icon indicating your water or cubed or crushed ice selection, will stay on.

When you press a button, open a door, or push a Dispenser Lever, the Panel Display will turn on again.

Except for the Energy Saver and Water and Cubed /Crushed Ice buttons, all function buttons will become operational after you remove your finger from the button you are currently pressing.

(8) Filter

Water filter usage

This icon lights up when you need to change the filter, usually after the refrigerator has dispensed about 300 gallons of water (after about 6 months). The icon will blink red for several seconds when you open or close the door.



After you install the new water filter, reset the filter indicator by touching and holding the Hold 3 sec for Filter Reset button for 3 seconds.

- If water is not dispensing or dispensing slowly, you need to replace the water filter because the water filter is clogged.
- Some areas have large amounts of lime in their water, which causes the water filter to clog more quickly.

(9) Cubed/Crushed Ice



Cubed

Touch this button to select your desired ice type.



Crushed

Cubed and crushed ice modes alternate when you press the button.

This mode cannot be used with the Water mode simultaneously.

(10) Control Lock



The Control Lock icon lights when you've activated the Control Lock function.

Press and hold the Ice Maker Off / Control Lock button for 3 seconds to turn Control Lock off and re-activate the panel buttons.

Cooling Off Mode



Cooling Off mode (also called Shop mode), is designed for use by retailers when they are displaying refrigerators on the shop floor.

In Cooling Off mode, the refrigerator's fan motor and lights work normally, but the compressors do not run, and the refrigerator and freezer do not get cold.

To start Cooling Off mode, touch and hold the Freezer, Fridge and Alarm buttons for 5 seconds during normal operation.

The refrigerator chime sounds and the temperature display flashes OFF.

To cancel Cooling Off mode, touch and hold the Freezer, Fridge and Alarm buttons again for 5 seconds.

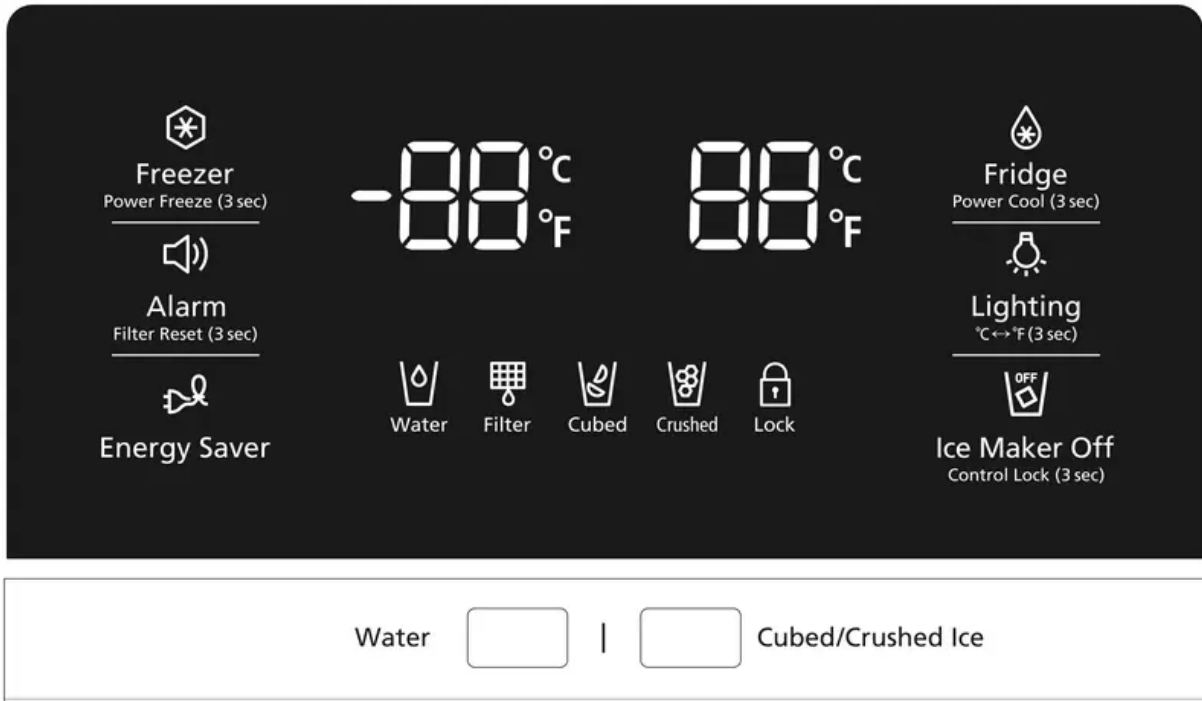
CONTROLLING THE TEMPERATURE

Basic temperature of Freezer and fridge compartments

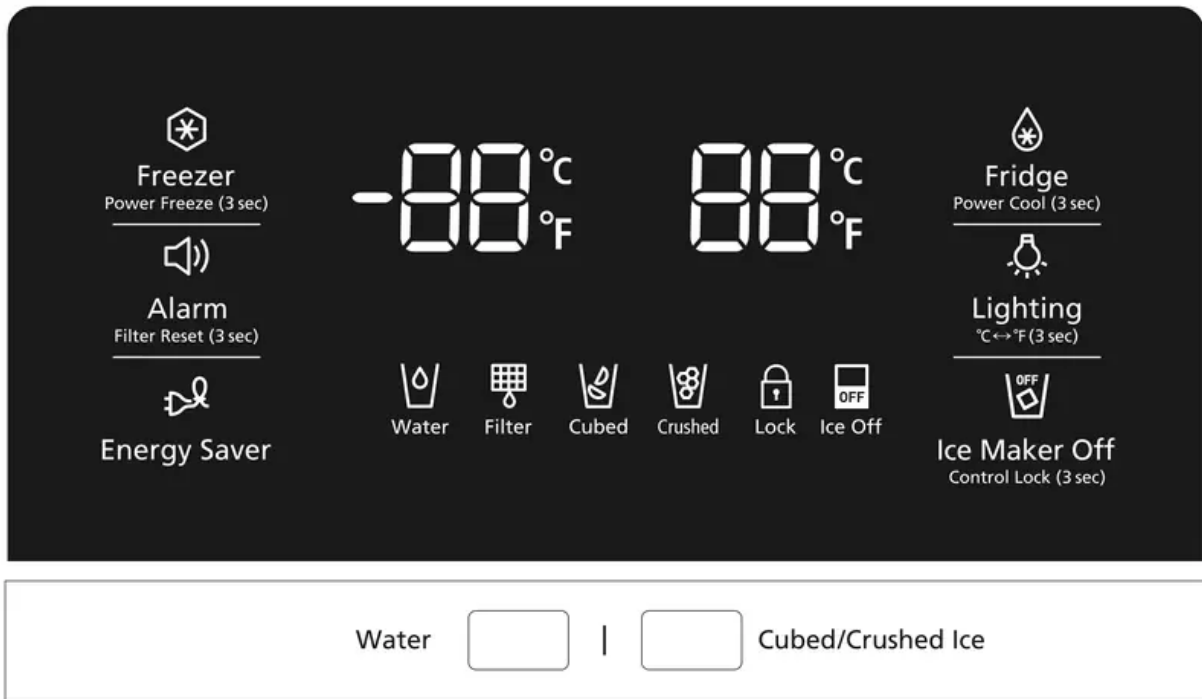
The basic and recommended temperatures of the Freezer and Fridge compartments are 0 °F and 37 °F (or -18 °C and 3 °C) respectively.

If the temperature of the Freezer and Fridge compartments are too high or low, adjust the temperature manually.

Controlling the Freezer temperature



RF28*DED**, RF28HDED*



RF28HDEDT*

The Freezer temperature can be set between -8 °F and 5 °F (or between -23 °C and -15 °C) to suit your particular needs.



Press the Freezer button repeatedly until the desired temperature is shown in the temperature display.

The temperature will change by 1 °F (or 1 °C) with each press. See below.

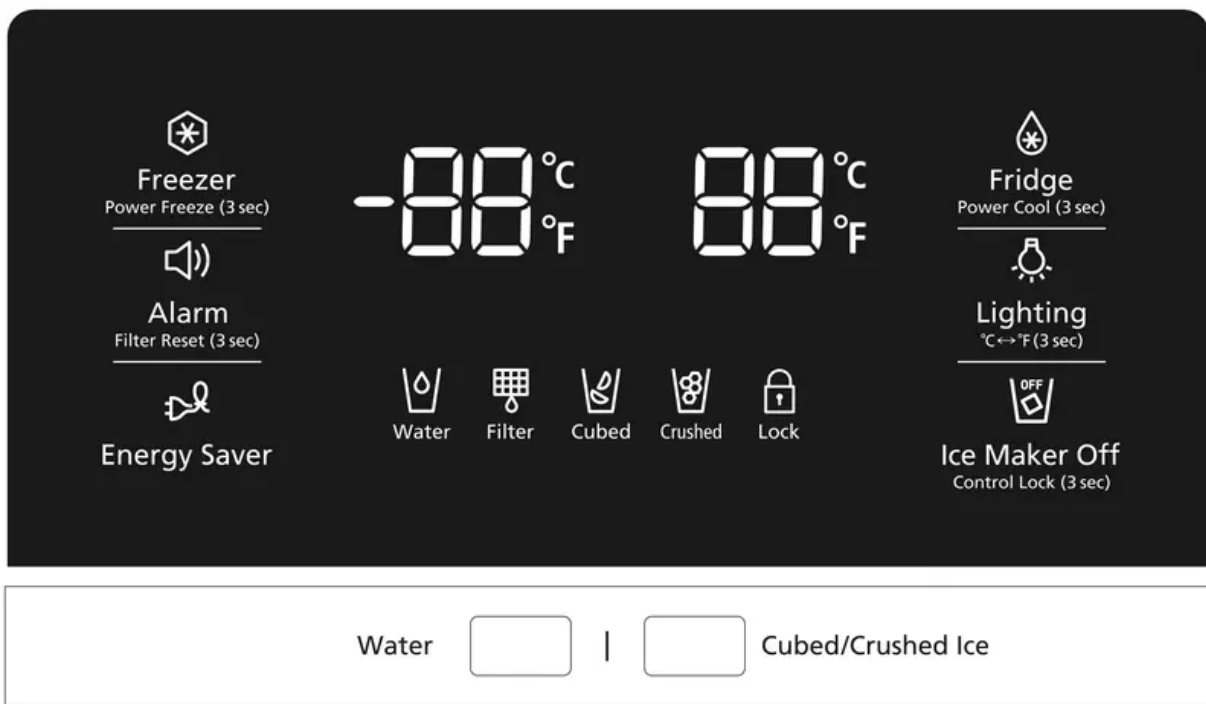
Fahrenheit : 0 °F → -1 °F → -2 °F → -3 °F → -4 °F → -5 °F → -6 °F → -7 °F → -8 °F → 5 °F → 4 °F → 3 °F → 2 °F → 1 °F → 0 °F.

Centigrade : -18 °C → -19 °C → -20 °C → -21 °C → -22 °C → -23 °C → -15 °C → -16 °C → -17 °C → -18 °C.

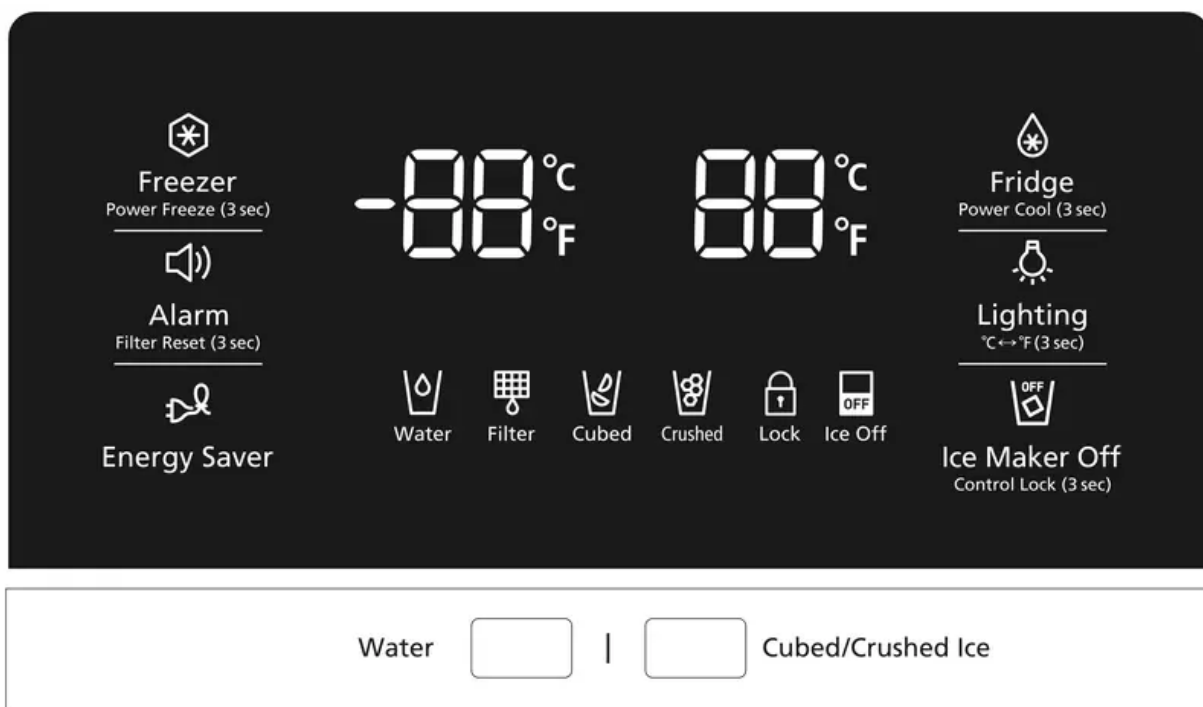
Keep in mind that foods such as ice cream may/ melt at 4 °F (or -15.5 °C).

The temperature display will move sequentially from -8 °F to 5 °F (or from -23 °C to -15 °C).

Controlling the fridge temperature



RF28*DED**, RF28HDEDP*



RF28HDEDT*

The fridge temperature can be set between 34 °F and 44 °F (or between 1 °C and 7 °C) to suit your particular needs.

Press the Fridge button repeatedly until the desired temperature is shown in the temperature display. The temperature will change by 1 °F (or 1 °C) with each press. See below.

Fahrenheit : 37 °F → 36 °F → 35 °F → 34 °F → 44 °F → 43 °F → 42 °F → 41 °F → 40 °F → 39 °F → 38 °F → 37 °F.

Centigrade : 3 °C → 2 °C → 1 °C → 7 °C → 6 °C → 5 °C → 4 °C → 3 °C.

The temperature control process for the Fridge works just like the Freezer process.

Press the Fridge button to set your desired temperature.

After a few seconds, the Fridge will begin adjusting towards the newly set temperature.

This will be reflected in the digital display.

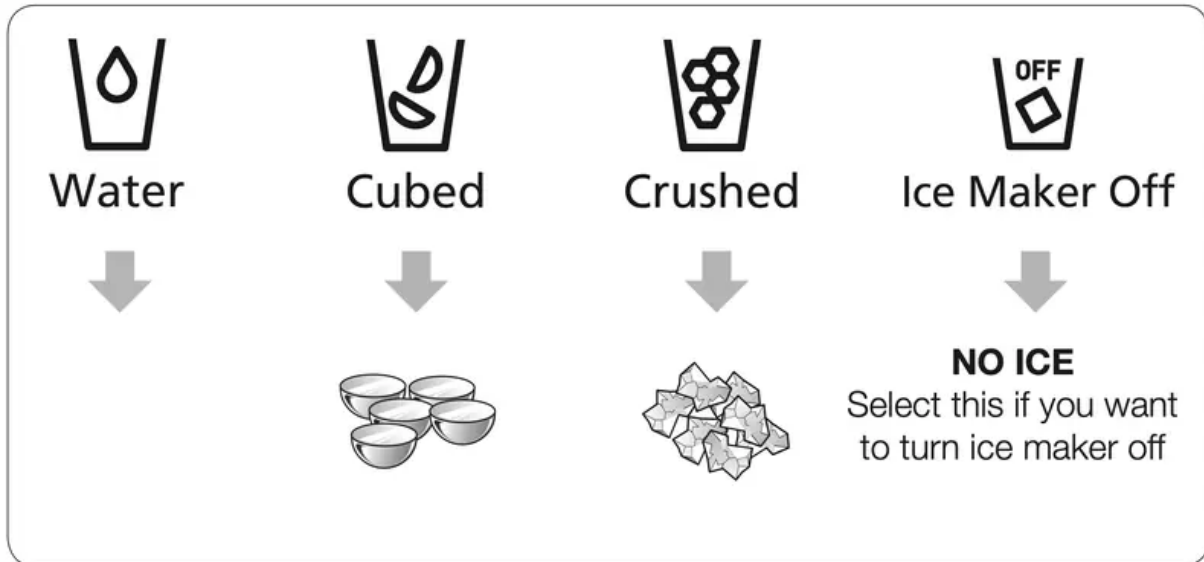
NOTE:

- The temperature of the Freezer or Fridge may rise when you open the doors too frequently, or if a large amount of warm or hot food is placed inside.
- A rise in temperature may cause the digital display to blink. Once the Freezer and Fridge temperature return to their normal set temperatures, the blinking will stop.
- If the blinking continues, you may need to “reset” the Refrigerator. Try unplugging the appliance, wait for around 10 minutes and then plug the power cord back in.

- If there is a communication error between the Display and Main Controller, the Convertible Display light may blink.
If the blinking continues for a long period of time, please contact a Samsung Electronics Service Center.

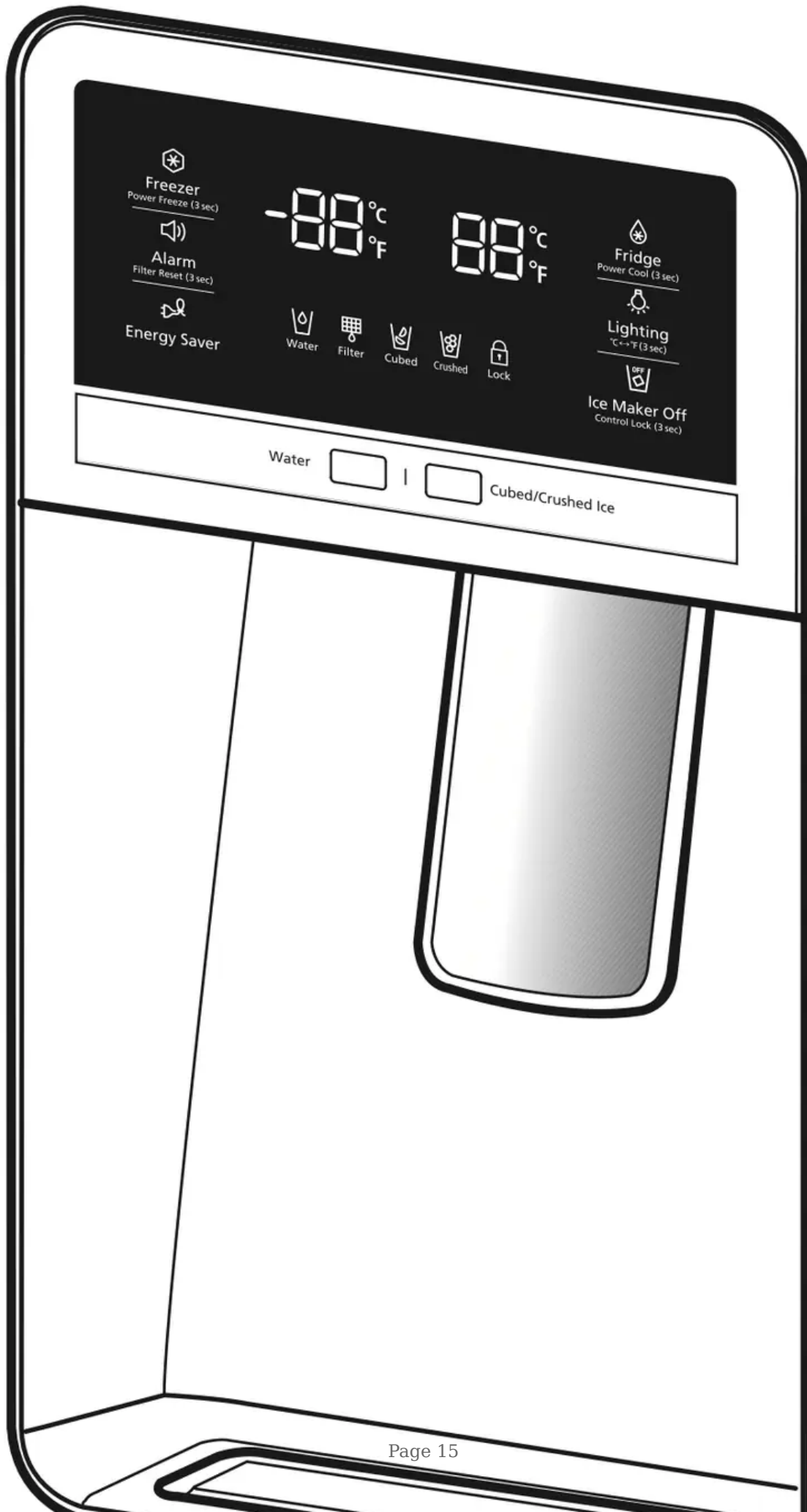
USING THE COLD WATER DISPENSER

Push the appropriate ice type button to select what you want dispensed.

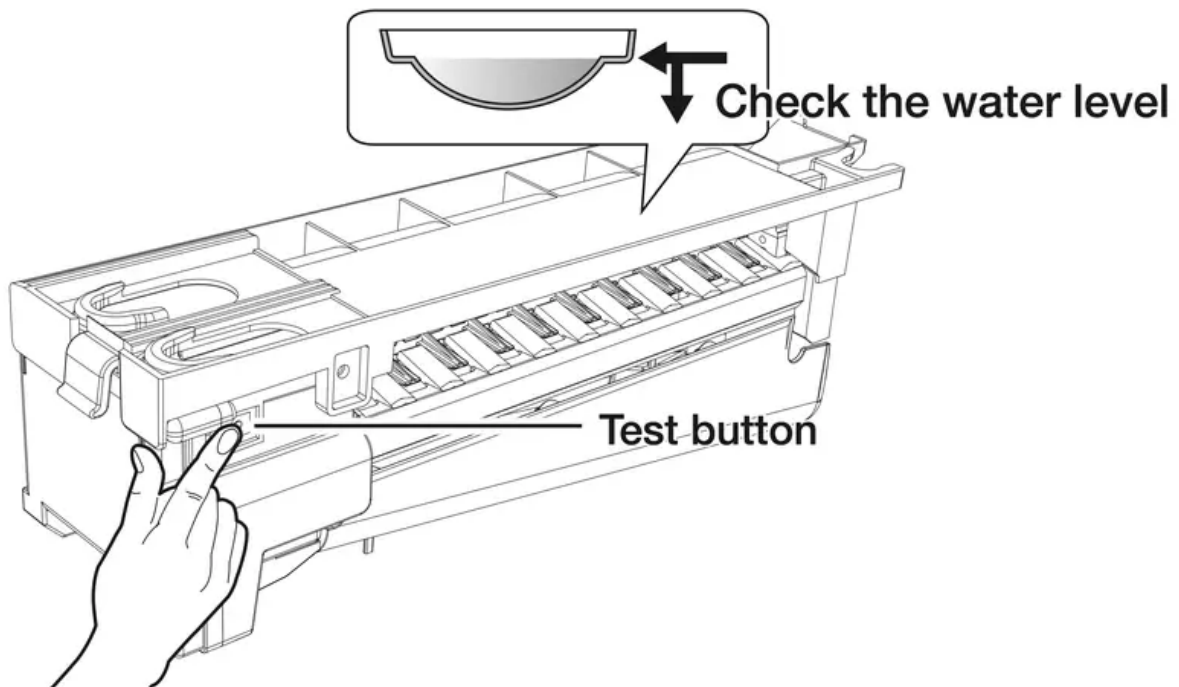


Using the ice Dispenser

Place a glass underneath the ice dispenser and push gently against the dispenser lever with your glass. Make sure the glass is in line with the dispenser to prevent the ice from bouncing out.



- To select water, press the water button on the display, and then press the dispenser lever.
- To select Ice, press the ICE type button of your choice on the display, and then press the dispenser lever.
- If you have selected cubed ice, when you press the lever, the dispenser may dispense a small amount of crushed ice first.
- If ice doesn't come out, pull out the ice bucket and press the test button located on the right side of ice maker.



- Do not press the test button continuously when the tray is filled with ice or water. Water may overflow or ice may jam the bucket.
- When you press the Test button, you will hear the refrigerator chime (ding-dong). When the chime sounds, release the Test button.
- The chime sounds automatically again to let you know the ice maker is working well.
- Replace the ice bucket.

Ice Making

To fill the ice bucket to maximum capacity after installation, follow these steps:

1. Allow your refrigerator to operate and check Ice maker button, if ice maker off is illuminated, turns on the ice maker. Then "Ice maker Off" will be dissaper and wait 24 hours (or 1 full day).
Waiting 24 hours will allow your ice maker to cool properly.
2. Dispense 4 to 6 ice cubes into a glass.

3. After 8, and then 16 hours, dispense a full glass of ice.

CAUTION

- To clean the ice bin/bucket, wash with a mild detergent, rinse well, and then dry it thoroughly. Do not use harsh or abrasive cleaners or solvents.
- When you select Cubed Ice after using the Crushed Ice mode, a small amount of residual crushed ice might be produced.

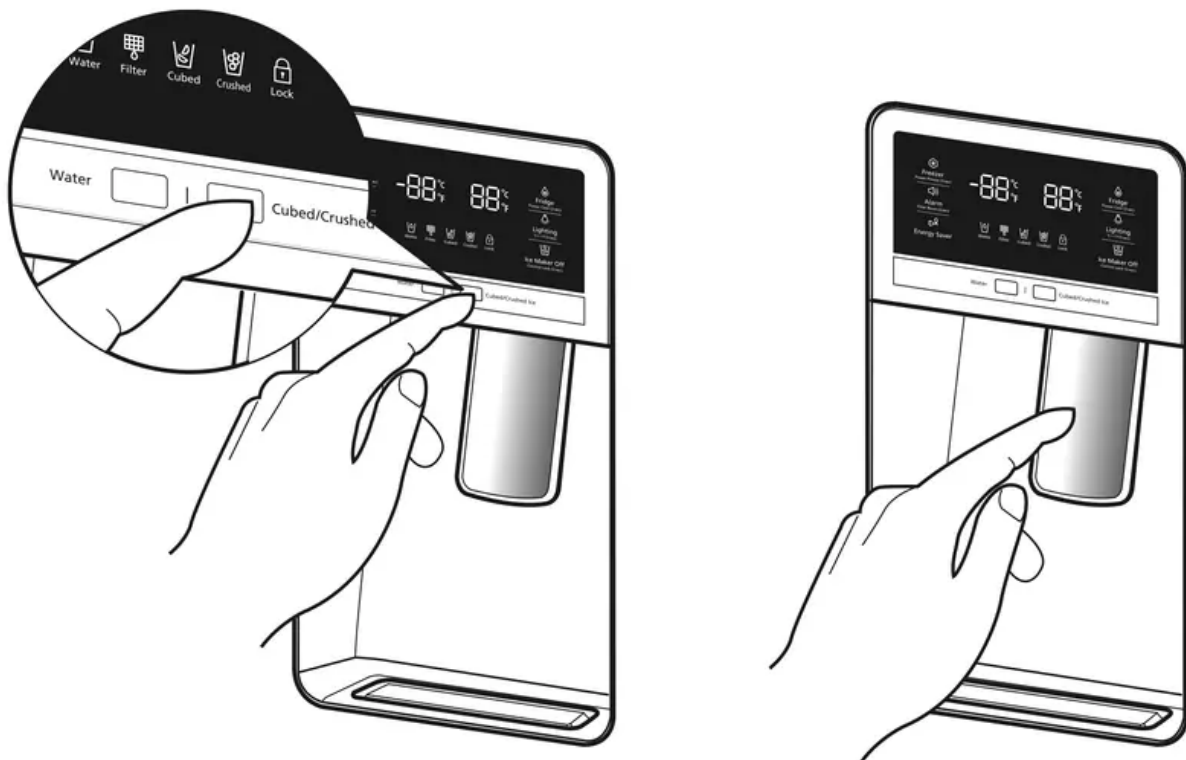
If There is a Power Failure

If a power failure occurs, ice cubes may melt, and then freeze together when the power comes back on, preventing the dispenser from working properly.

To prevent this problem, after a power failure, pull out the ice bucket and discard the residual ice or water.

After you dump the ice from the ice bucket, you should press the dispenser lever once with the 'Water' or 'Ice Type' function ON.

The ice maker will make new ice faster after you return the ice bucket to the refrigerator.



NOTE: If you use all the ice at once, you must repeat Steps 2 and 3 under Ice Making. However, only wait 8 hours before dispensing the first 4 to 6 ice cubes. This will replenish the ice cubes and ensure maximum ice production.

Using the ice off Function

When you select the Ice Off mode, remove all ice cubes from the bucket.

If you leave the ice cubes in the bucket, the ice cubes may clump together, making it difficult to remove them.

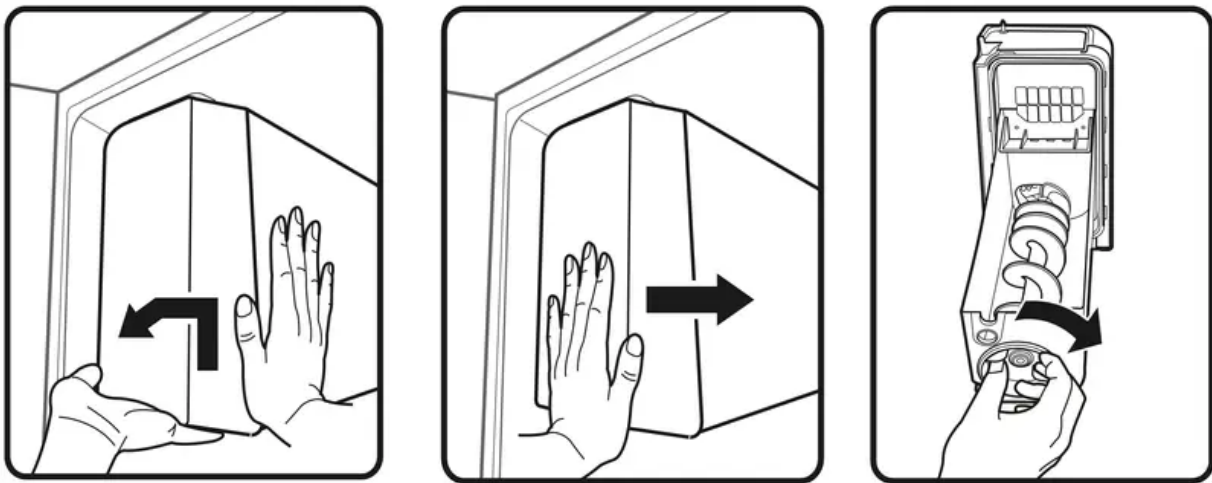
To remove the ice bucket safely and avoid injury, hold the bottom of the bucket with one hand and the side of the bucket with the other.

Then, lift up on the ice bucket, and pull it straight out.

To put the ice bucket back in, push it firmly straight back.

NOTE: If the ice bucket is not pushed firmly into place, ice in the bucket can melt.

If the bucket does not fit, turn the helix 90 degree (see the last illustration on the right, below) and try again.



CAUTION

- The inside of the ice bucket is very cold when the refrigerator is operating. Do not reach deep inside the ice bucket.
- Use only the ice maker provided with the refrigerator.
- Have the refrigerator's water supply connected only to a potable water supply.
- To operate the ice maker properly, water pressure of 20 ~ 125 psi is required.

Going on vacation...

If you are going on a long vacation or business trip and won't use the water or ice dispensers for a long time:

- Close the water valve. Otherwise, water leakage may occur.
- Remove all food and ice in the ice bucket.
- Unplug the refrigerator.
- Wipe excess moisture from inside and leave the doors open. Otherwise, odor and mold may develop.

Ice Maker Do's and Don'ts

- Do not put your fingers, hands or any other unsuitable objects in the chute or ice-maker bucket.
 - It may result in personal injury or material damage.
- Never put your finger or any other objects in the dispenser opening.
 - It may cause injury.
- Do not try to disassemble the ice maker.
- Do not wash or spray the ice bucket with water while it is in the refrigerator. Remove it to clean it.

CAUTION: When you insert the Ice maker tray, be sure that the tray is well centered at the entrance. Otherwise, the tray may get stuck.

Water clouding phenomenon

NOTE:

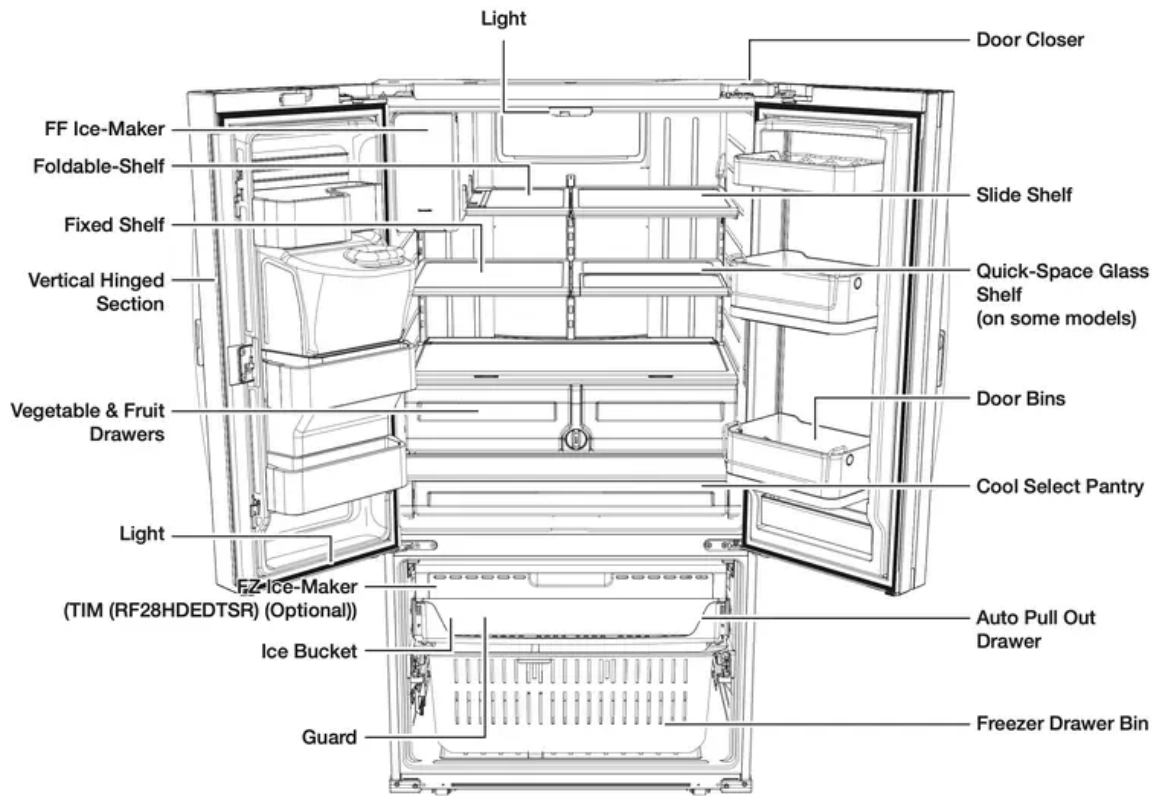
- All water provided to the refrigerator flows through the core filter which is an alkaline water filter.
- In the filtering process, the pressure of the water that has flowed out of the filter is increased, and the water becomes saturated with oxygen and nitrogen. When this water flows out into the air, the pressure plummets and the oxygen and nitrogen get supersaturated, which results in gas bubbles.
- The water may temporarily look misty or cloudy due to these oxygen bubbles. After a few seconds, the water will look clear.

NOTE:

- Please wait 1 second before removing the cup after dispensing water to prevent spills.
- Do not pull out the lever dispenser after dispensing ice or water.
- It comes back automatically.
- Ice is made in cubes.
- When you select "Crushed", the ice maker grinds the ice cubes into crushed ice.

PARTS AND FEATURES

Review the illustration below to become more familiar with the parts and features of your refrigerator.



NOTE:

- When closing the door, make sure the Vertical Hinged Section is in the correct position to avoid scratching the other door.
- If the Vertical Hinged Section is reversed, put it back to the right position and close the door. Moisture may appear at times on the Vertical Hinged Section.
- The door handle may become loose over time.
- If this happens, tighten the bolts found on the inside of the door.
- If you close one door with too much force, the other door may open.

NOTE: When the door opens, the interlock switch automatically turns off the auger motor in the ice maker for safety reasons.

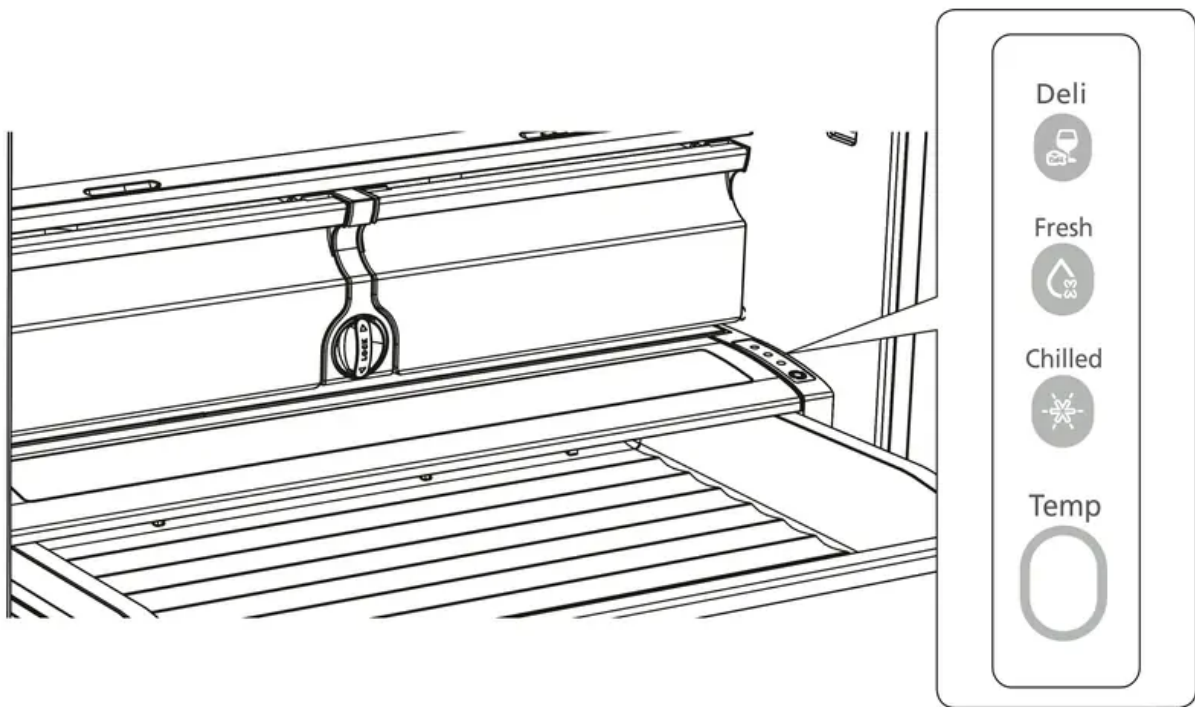
NOTE: When the interior or exterior LED lamp has gone out, please contact Samsung Customer Support.

USING THE COOL SELECT PANTRY™

The Cool Select Pantry™ is a full-width drawer with adjustable temperature control.

This pantry can be used for large party trays, deli items, pizza, beverages, or miscellaneous items. There is a temperature control which can adjust the amount of cold air allowed into the pantry. The control is located on the right side of the pantry.



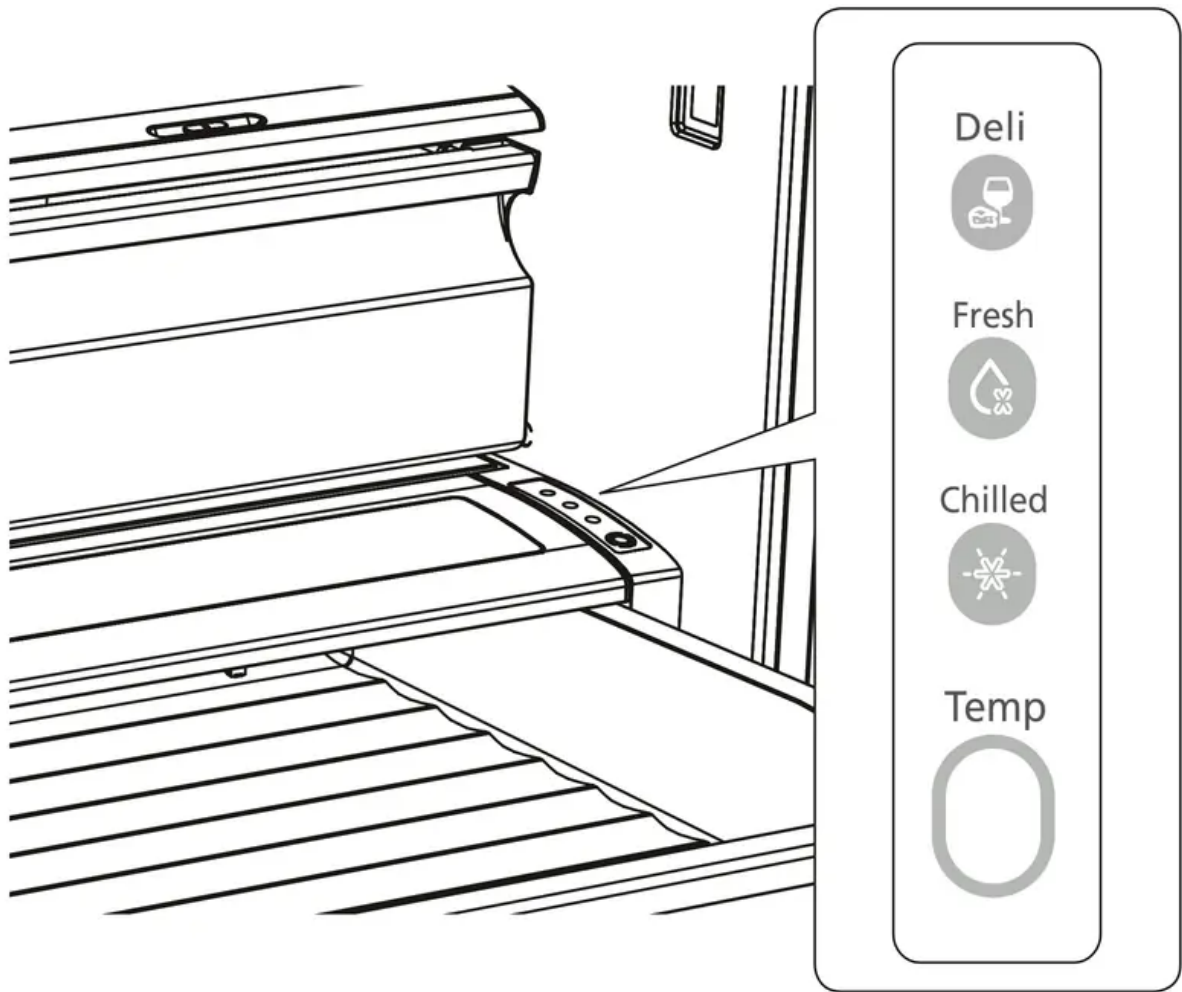


- The Pantry has three modes: The Fresh mode, Chilled mode, and Deli mode. Fresh mode is the default. Press the Temp button repeatedly until the mode you want is lit. Once you select a mode, the temperature will change to match the mode you selected.
- The Pantry temperature may change depending on the number of items inside and where they are located, the ambient temperature, and how often the door is opened.

The Pantry Selection Button

1. When you select “Deli”, the temperature of the pantry will be kept around 41 °F (or 5 °C). This feature helps keep food fresh for a long time.
2. When you select “Fresh”, the temperature of the pantry will be kept around 38 °F (or 3 °C). This feature helps keep food fresh for a longer time.
3. When you select “Chilled”, the temperature of the pantry will be kept around 34 °F (or 1 °C). This feature also helps keep meat or fish fresh for a longer time.

The table below lists the Pantry modes and the kinds of foods that can be stored safely for each mode.



Deli	Fresh	Chilled
• Pineapple	• cucumbers	• steaks
• lemon	• apples	• hard cheeses
• avocado	• oranges	• cold cuts
• potato	• grapes	• bacon
	• zucchinis	• hot dogs
	• corn	

NOTE: Fruits and vegetables may be damaged if you set the Pantry to the Chilled mode. Do not store lettuce or other leafy produce in this pantry.

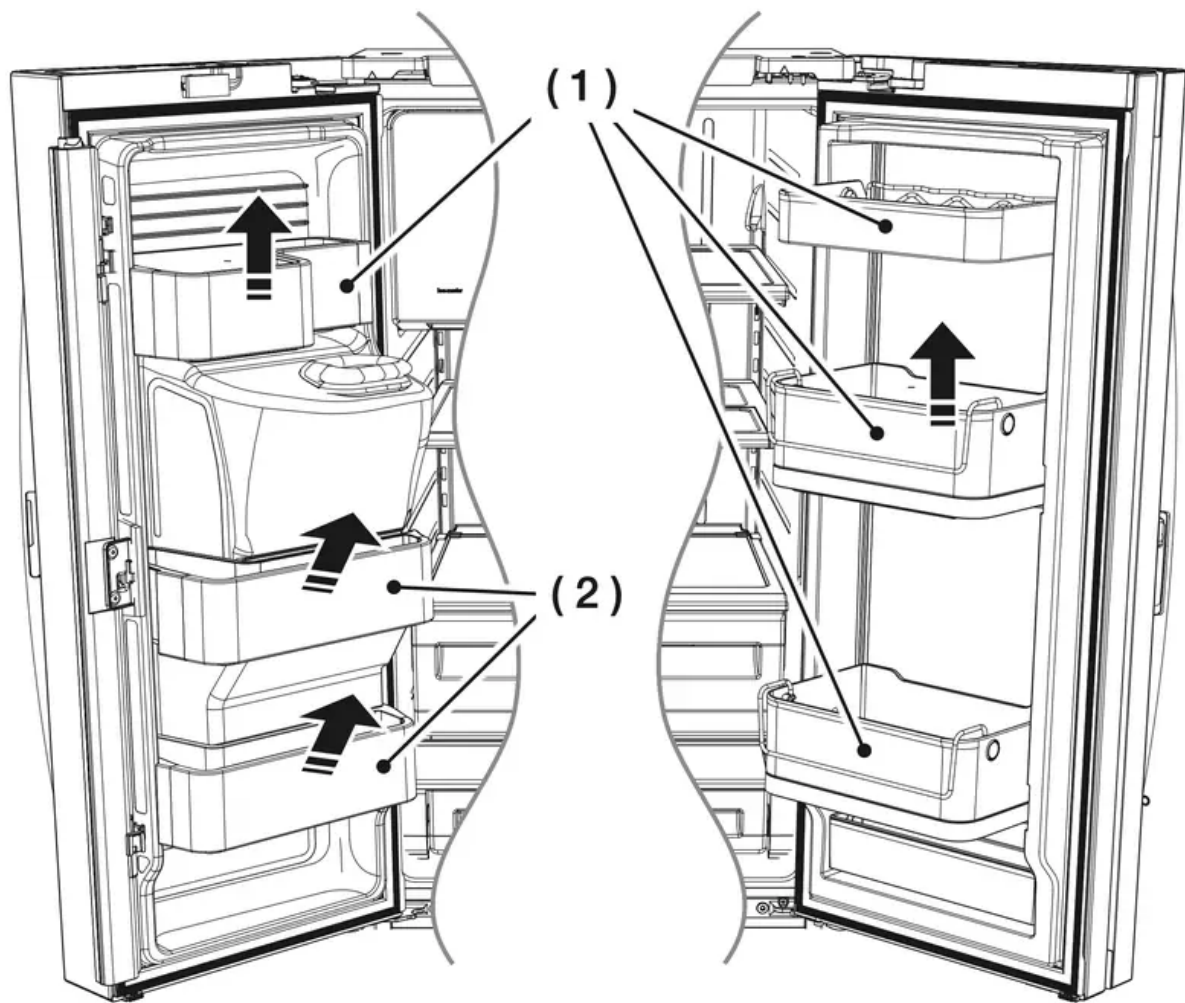
CAUTION

- Do not store glass bottles in the Cool Select Pantry.
- If they are freeze, they can break and cause personal injury.

REMOVING THE REFRIGERATOR ACCESSORIES

1. Door Bins

- Door Bins (1)
 - **To remove** : Simply lift the bin up and pull straight out.
 - **To relocate** : Slide it in above the desired location and push down until it stops.
- Door Bins (2)
 - **To remove** : Take the right side of the bin out by lifting it at an angle along the guide, and then take the left side out by pulling it from the door.
 - **To relocate** : Slide it into the original location and push down until it sticks.

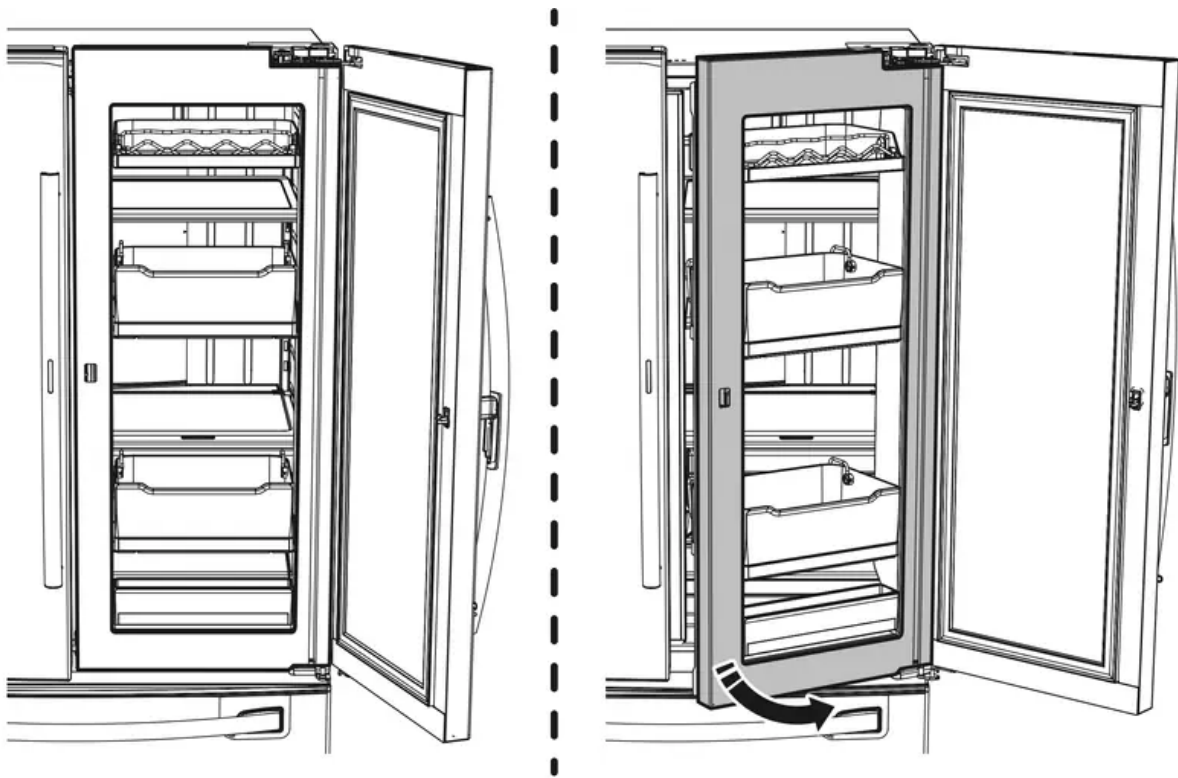


NOTE:

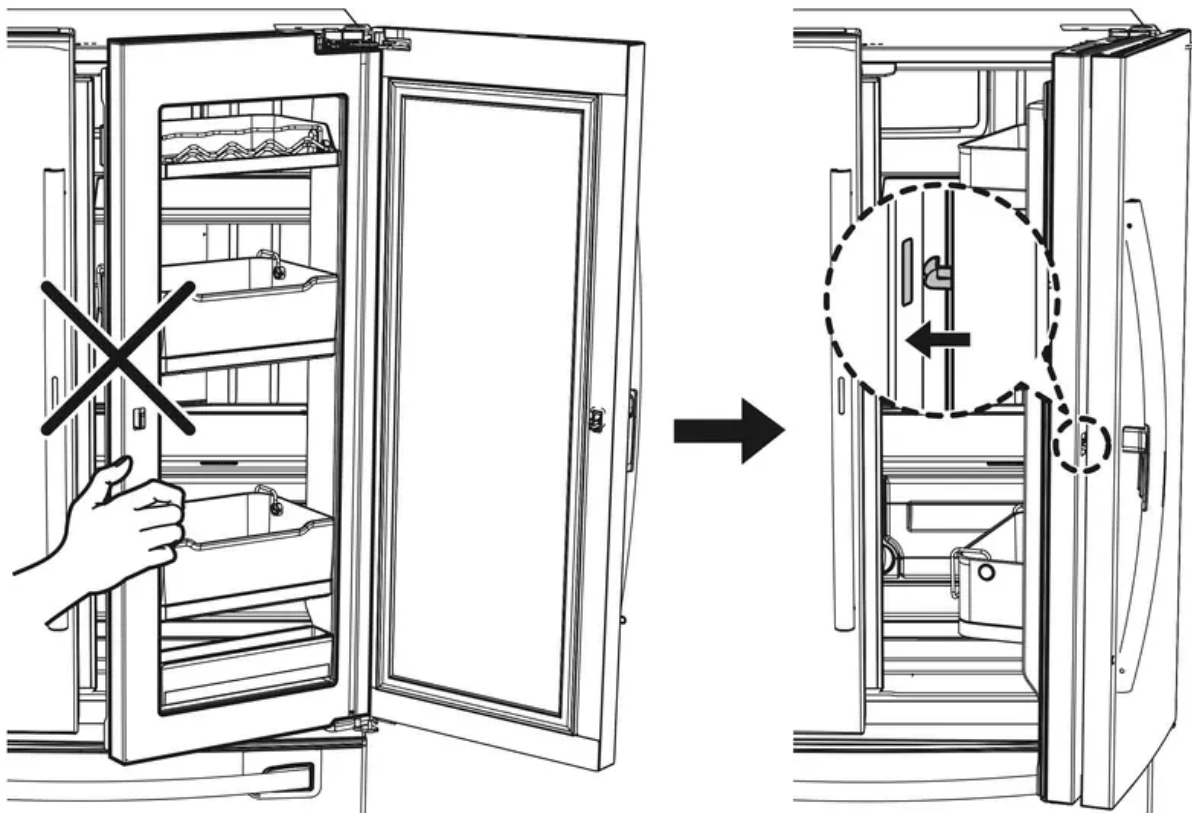
- Injury may occur if the door bins are not firmly assembled.
- Do not allow children to play with the bins. Sharp corners of the bins may cause injury.

CAUTION

- Do not adjust a bin full of food.
- Remove the food first.
- To remove dust from the bins : Remove the guard and wash the bin in water.



CAUTION: When Out Door opens more than normal OPEN angle (105°), Indoor is able to touch the Out Door.

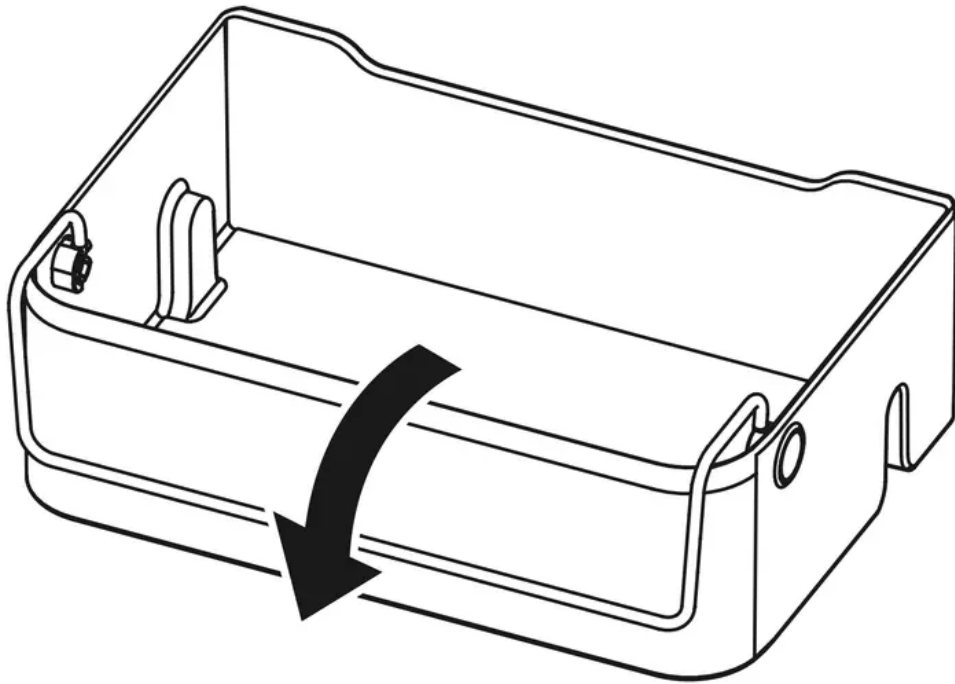


CAUTION

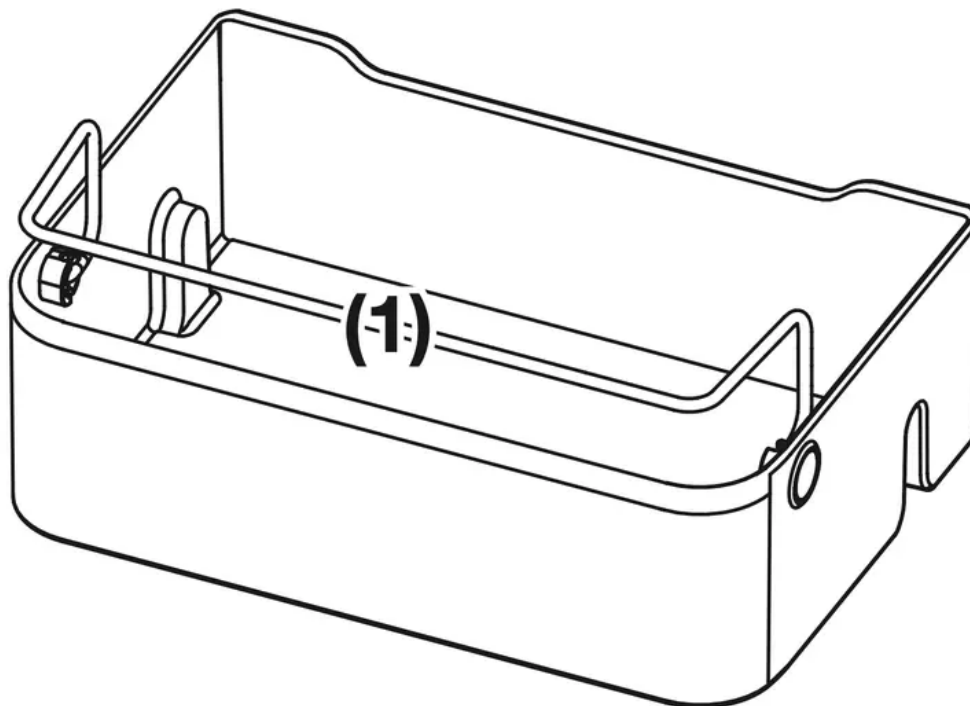
- Do not open the Indoor when Outdoor is open, close the Out door to hang the Handle Latch and then open the In / Out Door together.
- When close the outdoor, check the “click” sounds of a latch.

How to use the Multi Supporter

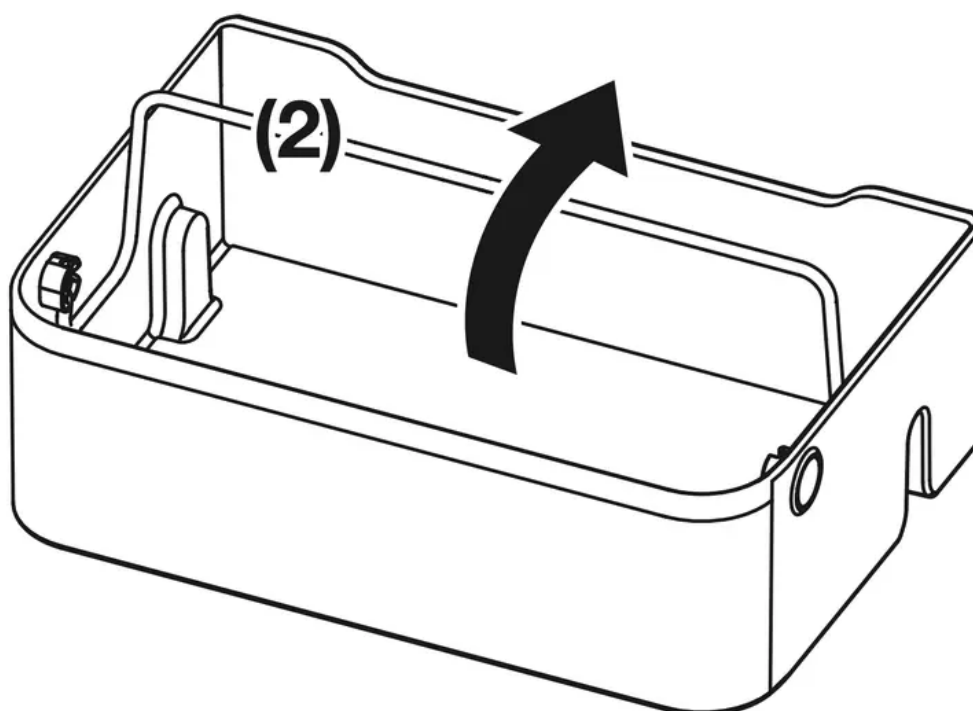
1. When not in use, leave the Multi Supporter flipped over as shown in the diagram.



2. Flip the Multi Supporter to position (1) to prevent items from falling out and over.



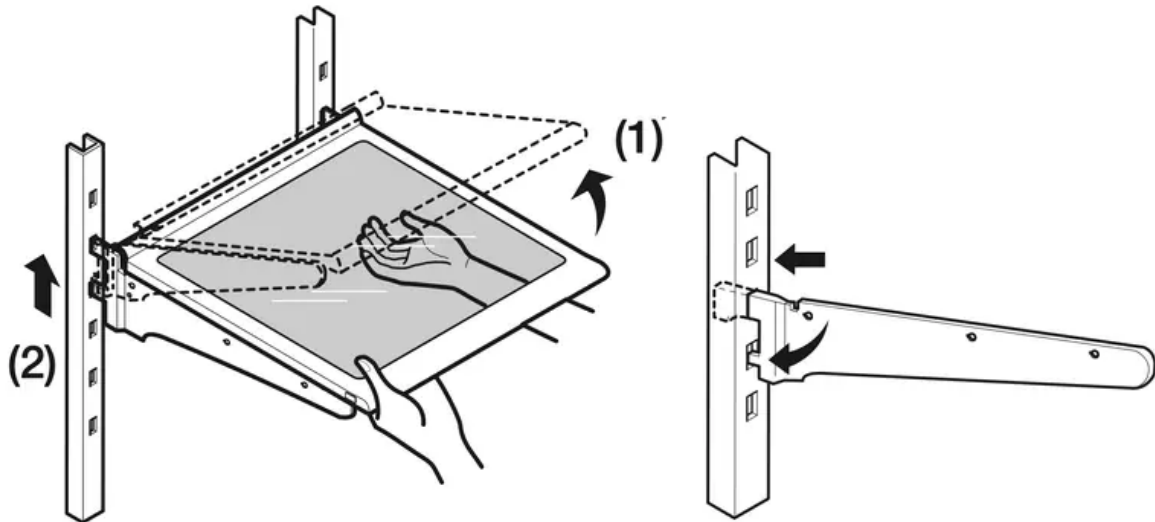
3. Flip the Multi Supporter to position (2) to use it as a divider.



2. Tempered Glass shelves

- **To remove** : Tilt up the front of the shelf in the direction shown (1) and lift it up vertically (2). Pull the shelf out.

- **To relocate** : Tilt the front of the shelf up and guide the shelf hooks into the slots at a desired height. Then lower the front of the shelf so that the hooks can drop into the slots.

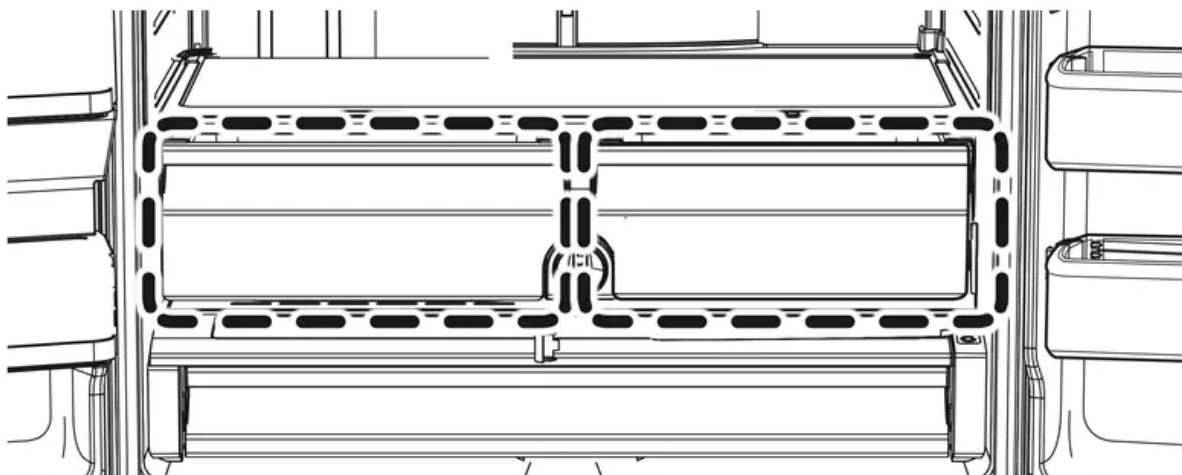


CAUTION

The Tempered Glass shelves are heavy.
Use special care when removing them.

CAUTION: After sliding the foldable shelf in and folding it, the Shelf Front can be removed for your convenience. If you use the self without removing the Shelf Front, be aware the Shelf Front can separate from the shelf.

3. Vegetable & Fruit Drawers

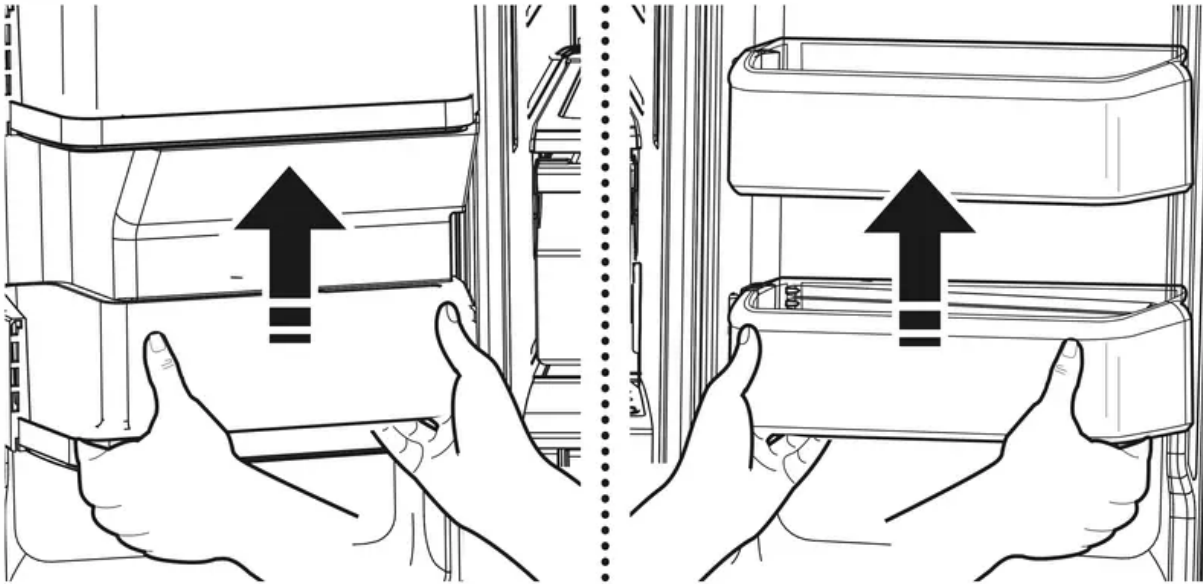


- Door Bins

Before removing the Vegetable and Fruit drawers, remove the bottom door bins on the left and right doors as shown in the next column.

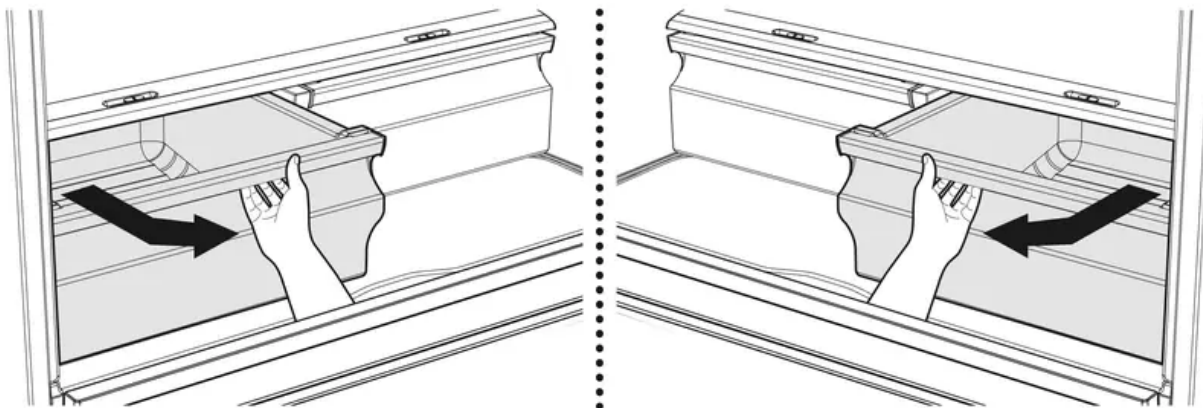
To remove the door bins

- Simply lift each bin up and pull straight out.



To remove the Vegetable and Fruit Drawers

- Tilt up the front of the drawer, and then pull straight back. Next, move the drawer slightly in the direction of the arrow, and then pull the drawer out of the refrigerator.



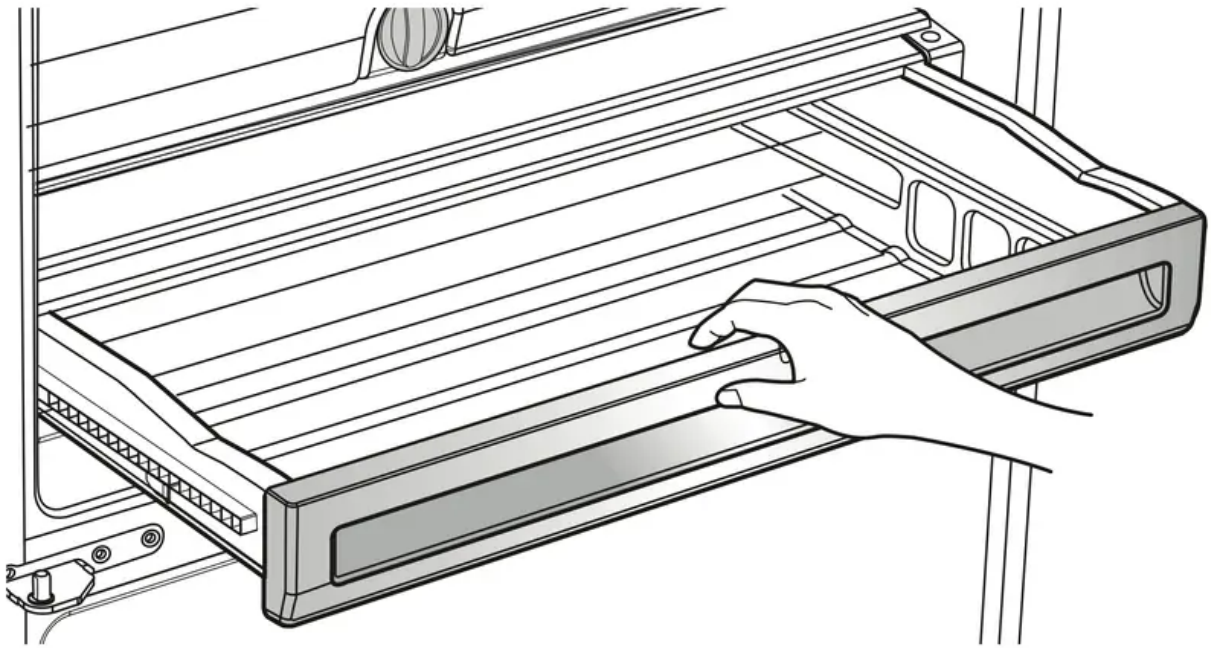
To re-install

- Insert the drawer into the frame rails, and then push back into place.
- Slide each bin in above the desired location, and then push down until it stops.

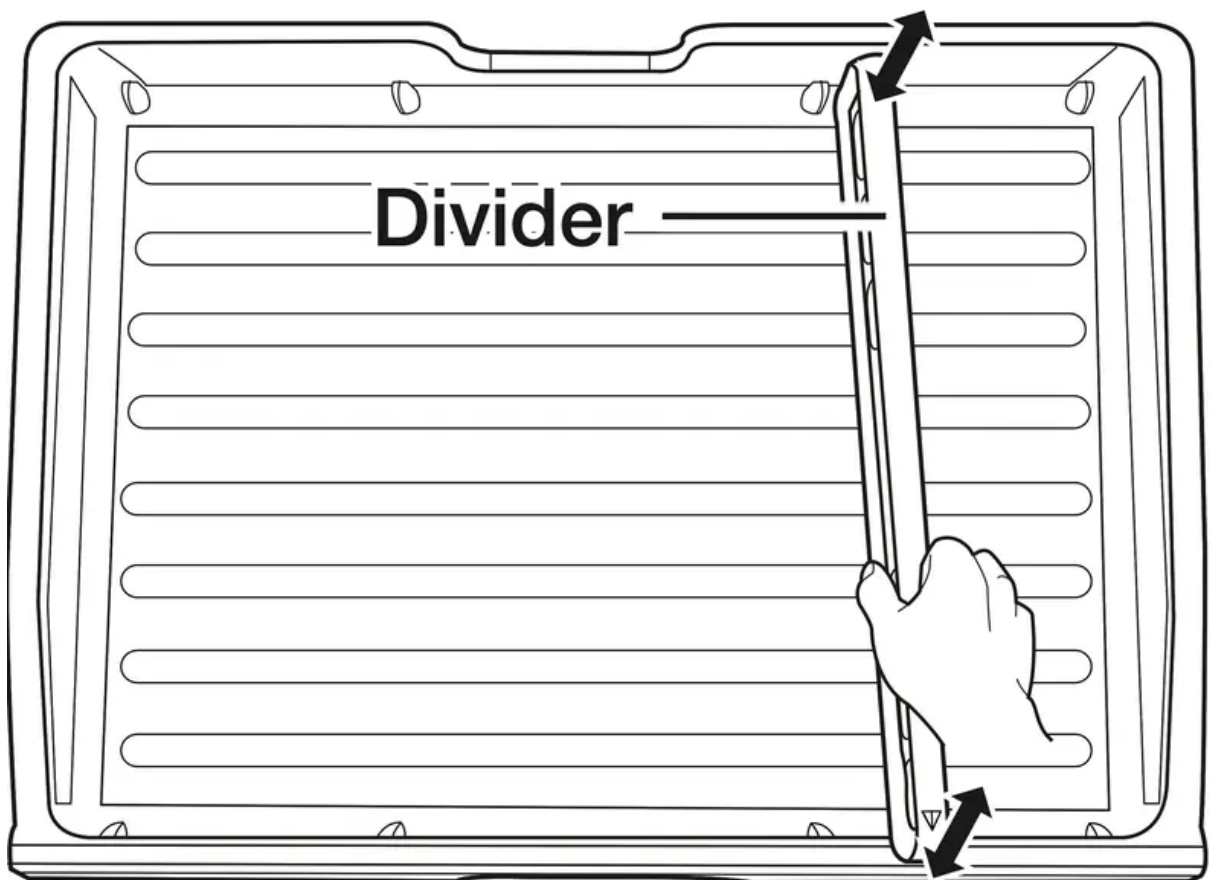
CAUTION: The drawers need to be removed before the glass shelf above them can be lifted out.

4. Cool Select Pantry

- **To remove the pantry :** Pull the pantry out to full extension. Tilt up the front side of the pantry and pull straight out.
- **To relocate the pantry :** Push the rails to the back of the refrigerator. Place the drawer onto the rails and slide the pantry back until it is in place.



- **To remove the divider :** Pull the pantry completely out to full extension and raise the front side of the divider to unhook it from the rear wall of the pantry, then lift the divider out.
- **To relocate the divider :** Hook the back of the divider over the rear wall of the pantry and push the divider down.



Using the doors

Ensure that the doors close all the way and are securely sealed.

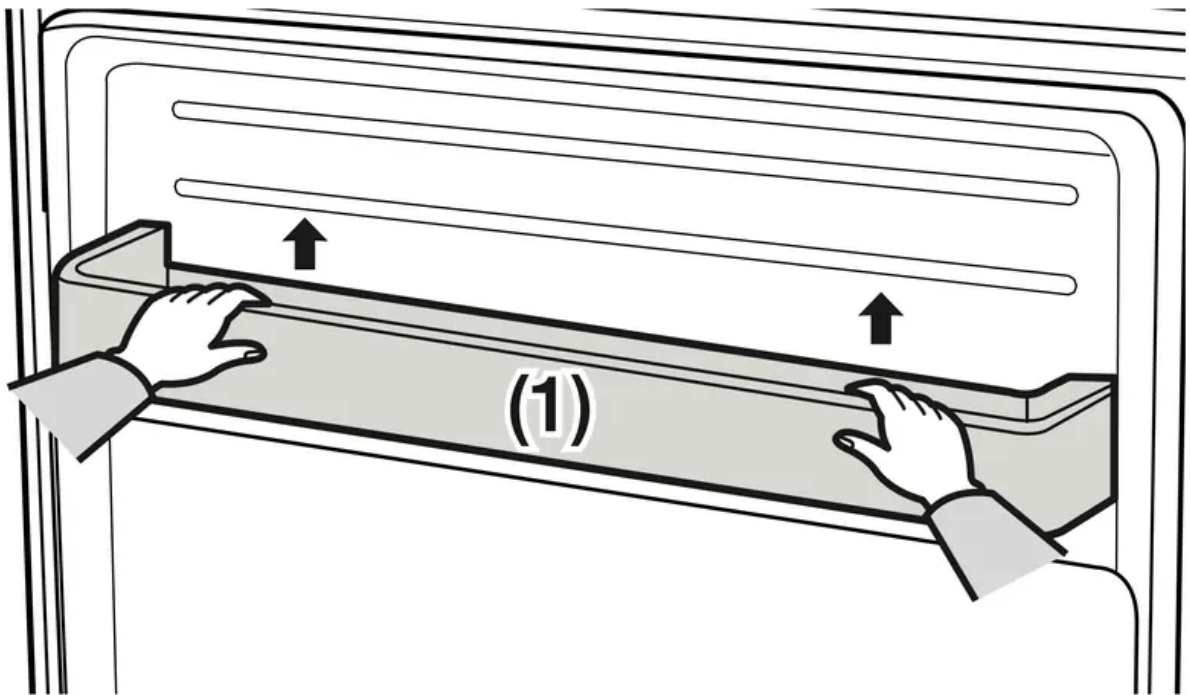
When the refrigerator door is only partially open, it will automatically close.

But, the door will stay open when opened more than the auto close range and you must close it manually.

REMOVING THE FREEZER ACCESSORIES

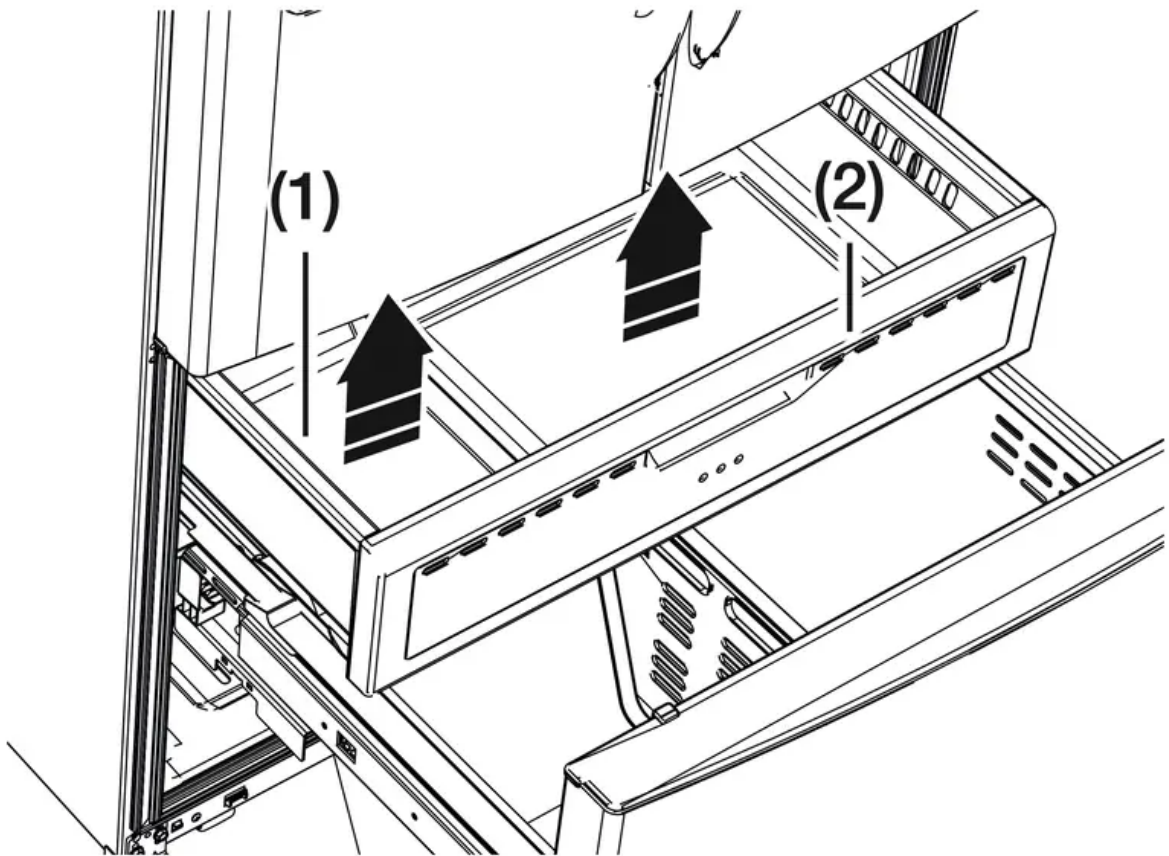
1. Freezer Room Guard

- **To remove** : Remove the freezer room guard (**1**) by lifting the guard up.
- **To relocate** : Push down until the guard (**1**) locks into place.



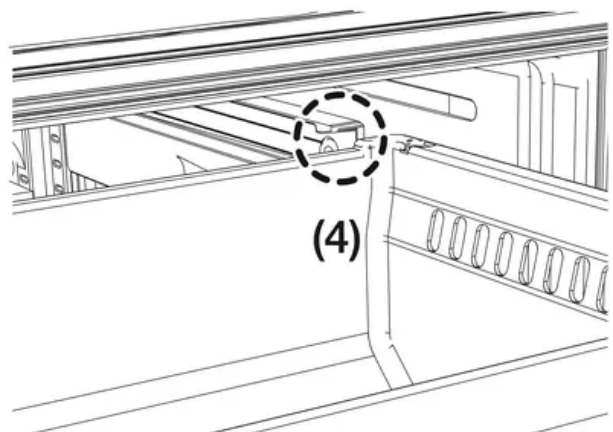
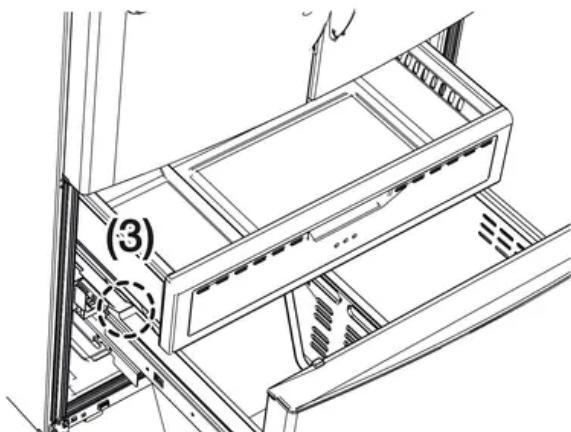
2. Ice Bucket

- **To remove** : Lift the ice bucket (**1**).
- **To relocate** : Place the ice bucket into the Super extended drawer (**2**).



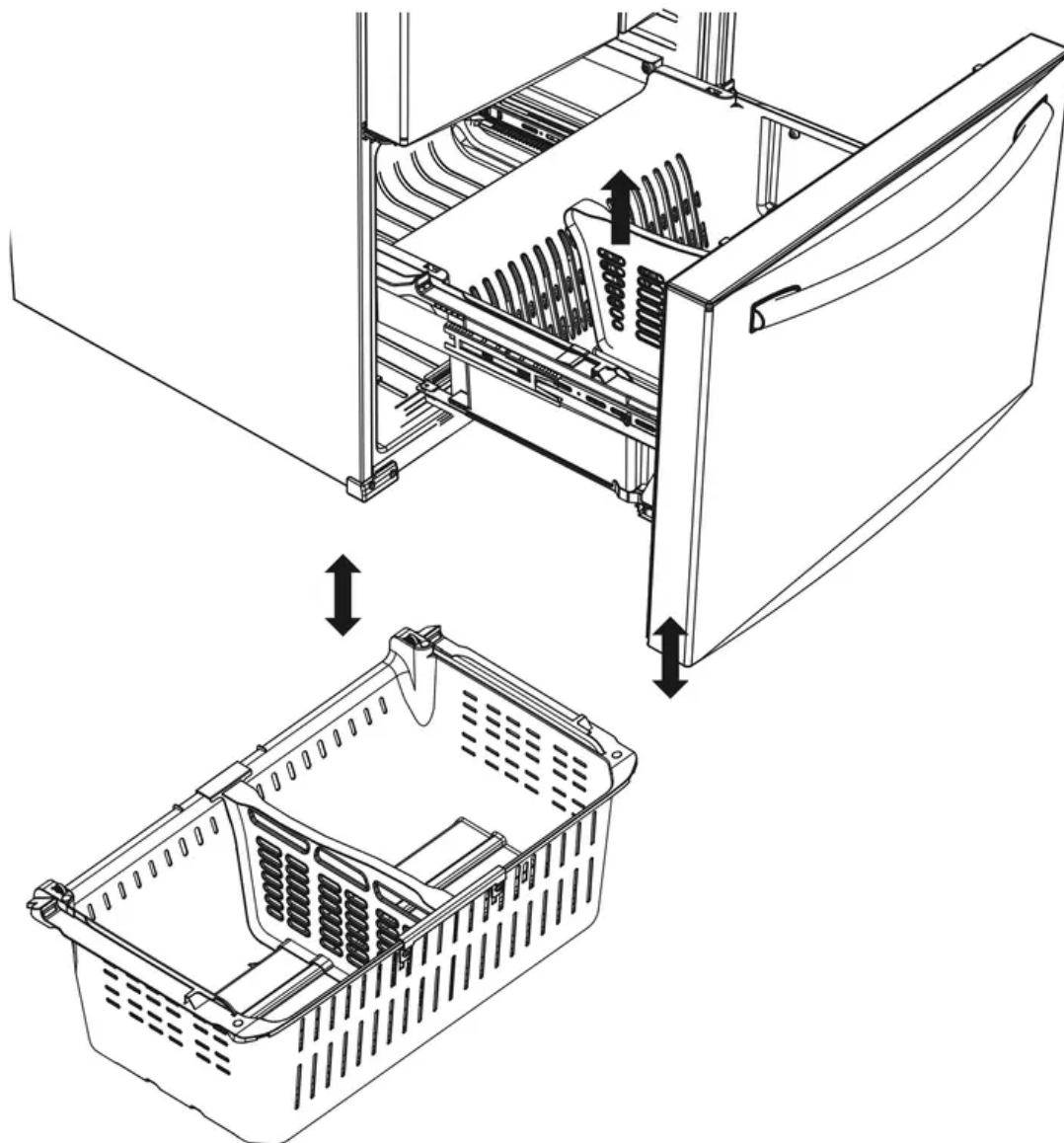
3. Super Extended Drawer

- **To remove** : Pull the drawer out to full extension. Tilt up the rear of the drawer and lift straight out.
- **To relocate** : Place the drawer onto the rails (4) by tilting it up. Lower the drawer into place until it is horizontal and slide the drawer (3) in.



4. Freezer Drawer

- **To remove the freezer drawer** : Pull the freezer drawer out fully. Tilt up the rear of the bin and lift it out to remove.
- **To relocate the freezer drawer** : Place the bin into the rail assembly.



CAUTION: You can scratch the side of the bin if you twist it left or right when disassembling or re-assembling it.

CAUTION

Do not allow babies or children to climb into the freezer drawer.
They could damage the refrigerator and seriously injure themselves.
Do not sit on the freezer door.
The door may break.

CAUTION: Do not remove the divider.

WARNING: If trapped inside, children may be injured or suffocate to death.

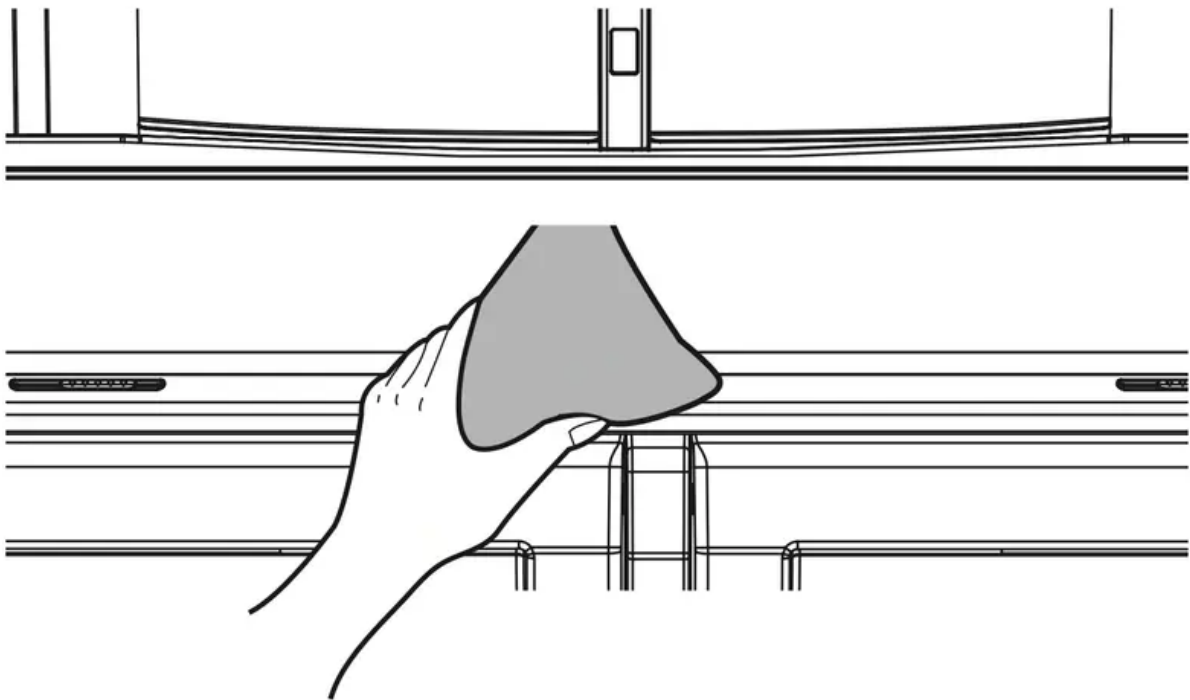
CLEANING THE REFRIGERATOR

Caring for your Samsung French Door Refrigerator prolongs the life of your appliance and helps keep the refrigerator free of odor and germs.

Cleaning the Interior

Clean the inside walls and accessories with a mild detergent and then wipe dry with a soft cloth. You can remove the drawers and shelves for a more thorough cleaning.

Just make sure to dry drawers and shelves before putting them back into place.



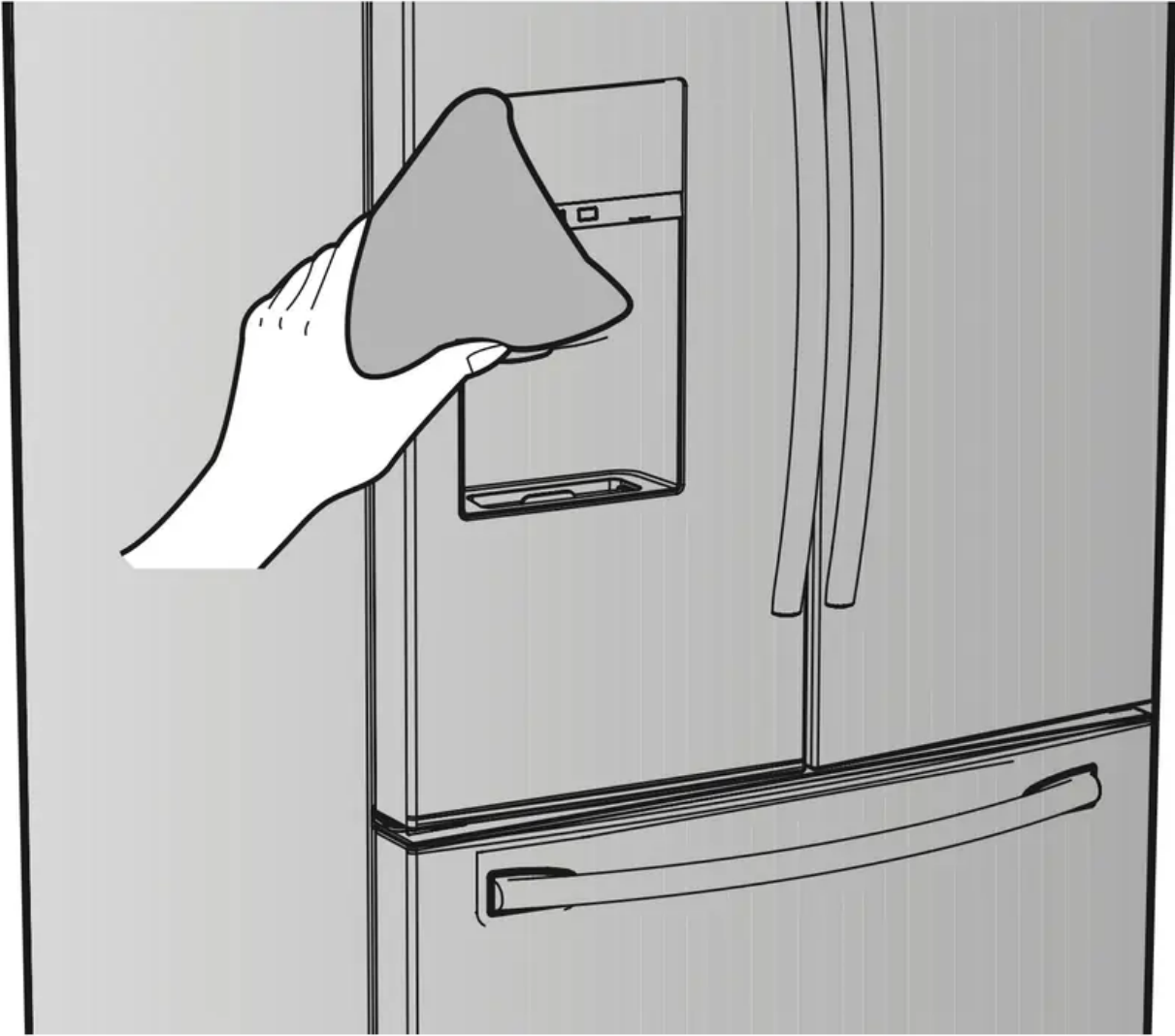
Cleaning the Exterior

Wipe the control panel and digital display with a damp, clean, soft cloth.

Do not spray water directly on the surface of the refrigerator.

The doors, handles, and cabinet surfaces should be cleaned with a mild detergent and then wiped dry with a soft cloth.

To keep your appliance looking its best, polish the exterior once or twice a year.



CAUTION: Do not spray water directly on the refrigerator. Use a clean, damp cloth to clean.

CAUTION: Do not use benzene, thinner, or Clorox for cleaning.
They may damage the surface of the appliance and may cause a fire.

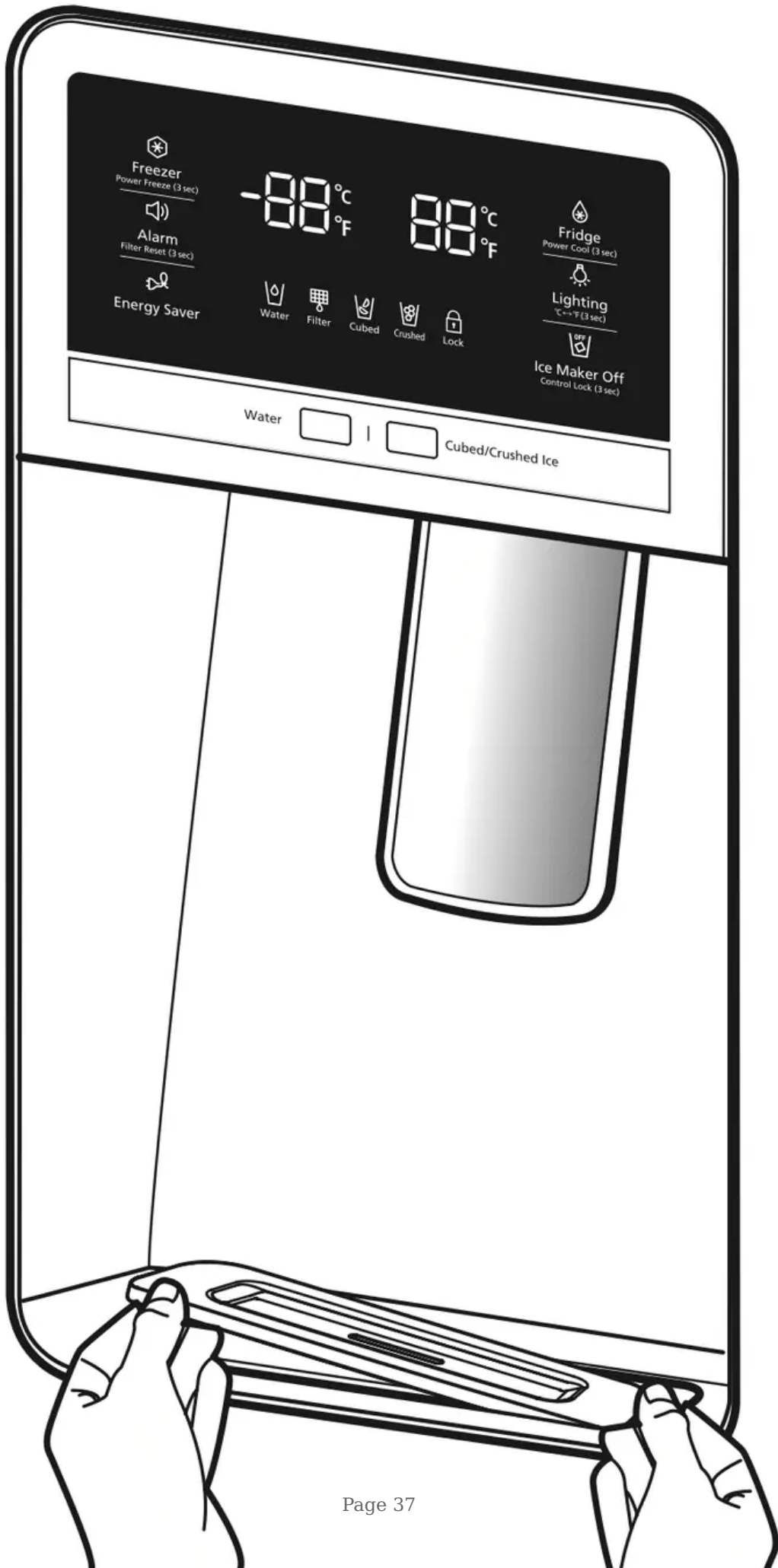
CAUTION: You can erase the printed letters on the display if you apply stainless cleaner directly to the area where the letters are printed.



Cleaning the Ice / Water Dispenser

Push down one end of the tray dispenser and remove it.

Wipe the Ice / Water Dispenser with a clean and soft cloth.



CAUTION

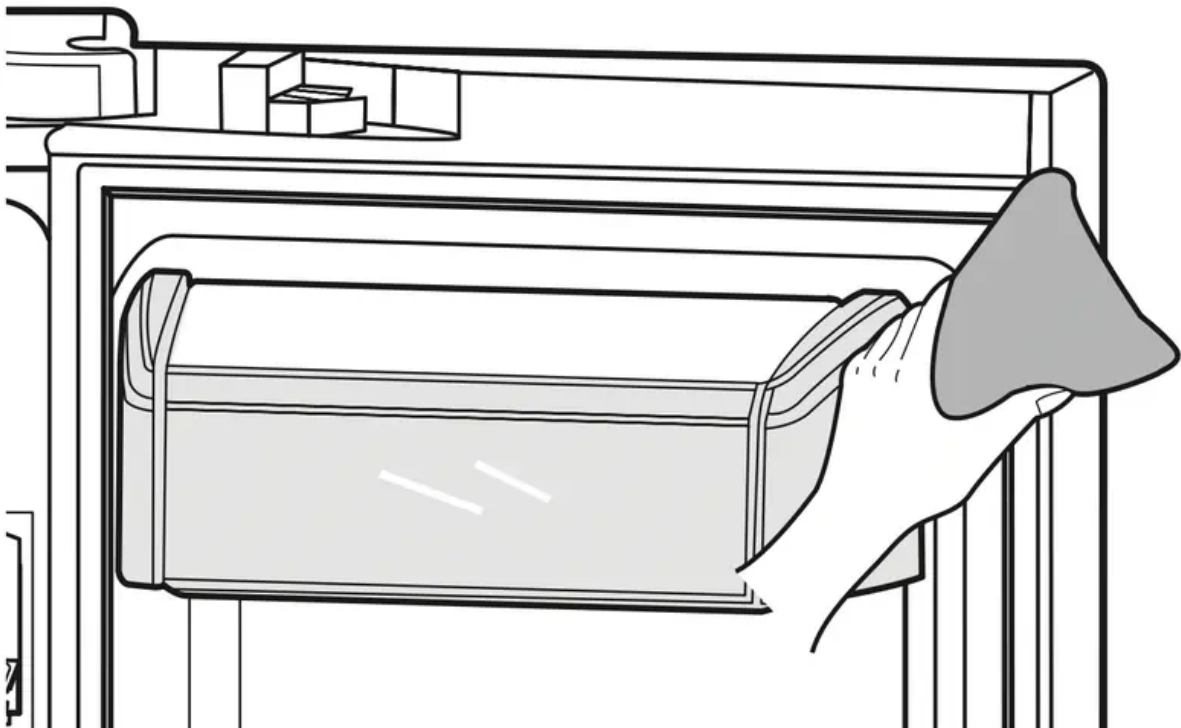
As you use the dispenser's crushed ice selection, some residual ice chips may start to collect in the ice chute.

To prevent that residual ice from melting and running out of the chute, you should clean out the residual ice when you see it start to collect in the ice chute.

Cleaning the Rubber door seals

If the rubber door seals are dirty, the doors may not close properly, and the refrigerator will not operate efficiently. Keep the door seals free of dust or stains by cleaning the doors with a mild detergent and damp cloth.

Wipe dry with a clean, soft cloth.

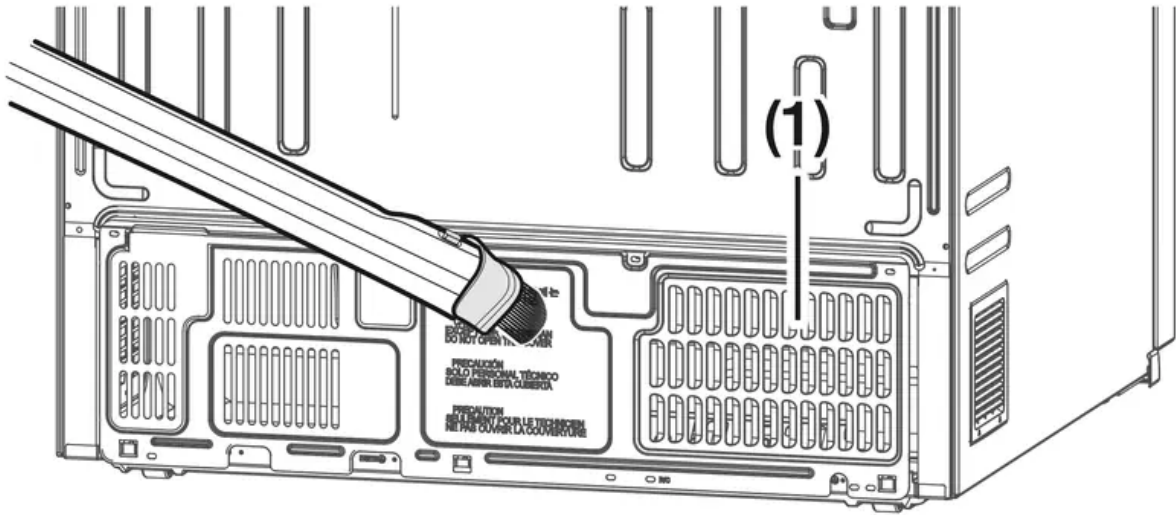


CAUTION:

Do not clean the refrigerator with benzene, thinner, or car detergent. These substances could cause a fire.

Cleaning the rear side of the refrigerator

To keep cords and exposed parts free of dust and dirt accumulation, vacuum the rear side of the appliance once or twice a year.



CAUTION: Do not remove the back cover (1). You could suffer an electric shock.

Troubleshooting



PROBLEM	SOLUTION
<p>The refrigerator does not work at all or it does not chill sufficiently.</p>	<ul style="list-style-type: none"> • Check if the power plug is properly connected. • Check if the set temperature on the digital display is warmer than the freezer or fridge inner temperature. If it is, set the freezer or fridge to a colder temperature. • Is the refrigerator in direct sunlight or located near a heat source? If so, it may not be able to cool sufficiently. Install it in a location that is out of direct sunlight and not near a heat source. • Is the back of the refrigerator too close to the wall, preventing proper ventilation? If so, it may not be able to cool sufficiently. Keep it an appropriate distance from the wall. • Is there too much food inside so that the food is blocking the outlet vent? To keep the refrigerator at a suitable temperature, do not fill the refrigerator with too much food.
<p>The food in the fridge is frozen.</p>	<ul style="list-style-type: none"> • Check if the set temperature on the digital display is too low. If so, raise the set temperature inside the refrigerator. • Is the temperature in the room too low? Set the refrigerator warmer. • Did you store food with a high moisture content in the coldest part of the refrigerator or near the cooling outlet vent? Try moving those items to the other shelves in the fridge instead of keeping them in the colder areas or bins.
<p>You hear unusual noise or sounds.</p>	<ul style="list-style-type: none"> • Check if the refrigerator is level and stable. • Is the back of the refrigerator too close to the wall, preventing proper ventilation? • Was anything dropped behind or under the refrigerator? • If you hear a “ticking” sound from inside the refrigerator, this is normal. It occurs because various parts contract or expand in

PROBLEM	SOLUTION
	<p>response to temperature changes in the refrigerator interior.</p> <ul style="list-style-type: none"> • If it sounds as if something is hitting something else inside the refrigerator, this is normal. The sound is caused by the compressor operating at high capacity.
<p>The cabinet-door sealing area of the appliance is hot and condensation is occurring.</p>	<ul style="list-style-type: none"> • Some heat is normal as anti-condensators are installed in the vertical hinged section of the refrigerator to prevent condensation. • Is the refrigerator door ajar? Condensation can occur when you leave the door open for a long time.
<p>The ice Maker is not producing ice.</p>	<ul style="list-style-type: none"> • It may take longer to make ice if it is not sufficiently cool, such as new installation. • Is the water line connected and the shut-off valve opened? • Ice maker turn on? If Ice maker off is illuminated in panel, press the button, ice maker off will disappear. • Did you stop the ice maker function manually? • Check if the filter is properly installed. If not, the ice maker can not work.
<p>You can hear water bubbling in the refrigerator.</p>	<ul style="list-style-type: none"> • This is normal. The bubbling comes from refrigerant circulating through the refrigerator.
<p>There is a bad smell in the refrigerator.</p>	<ul style="list-style-type: none"> • Check for spoiled food. • Foods with strong odors (for example, fish) should be tightly covered. • Clean out the freezer periodically and throw away any spoiled food. When cleaning the inside of the fridge, store food elsewhere and unplug the appliance. Wipe with a dry dish cloth after 2-3 hours and then circulate air inside the refrigerator.



PROBLEM	SOLUTION
<p>Frost forms on the walls of the freezer.</p>	<ul style="list-style-type: none"> • Is the air vent blocked? Remove any obstructions so air can circulate freely. • Allow sufficient space between the stored foods for efficient air circulation. • Is the freezer drawer closed properly? If the freezer drawer is not completely closed or is blocked, humidity from outside may enter and cause severe frost to form.
<p>The water dispenser is not functioning.</p>	<ul style="list-style-type: none"> • Is the water line connected and the shut-off valve opened? • Has the water supply line tubing been crushed or kinked? • Make sure the tubing is free and clear of any obstruction. • Is the water tank frozen because the fridge temperature is too low? Try selecting a warmer setting on the Digital display. • Is the Child Lock on? • Check if the filter is properly installed. If it is not properly installed, the water dispenser may not work.
<p>The auto close system does not work with the freezer door.</p>	<ul style="list-style-type: none"> • Is there an imbalance between the right and left parts of the door? • Open and close the door smoothly 1~2 times. After you do this, the auto close system usually works properly again. • Try opening the door smoothly to avoid unbalancing the right and the left part of the door.
<p>Condensation or water drops forms on vertical mullion and surroundings, etc.</p>	<ul style="list-style-type: none"> • Condensation or water drops may form if the humidity is too high while the refrigerator is operating. If condensation or water drops appears on vertical mullion and surroundings, etc., turn the Energy Saver mode off after removing the condensation. (See the explanation of the Energy Saver button in “Using the control panel” on page 19.)



Warning

This content is compiled from multiple sources and is provided for reference purposes only. It may not be complete or fully applicable to all situations. If you are unable to resolve your issue, please contact the product manufacturer or an authorized service provider for official support.

Document generated by [ManualsFile](#)

