

IMPORTANT SAFETY INSTRUCTIONS

READ ALL INSTRUCTIONS BEFORE USING YOUR UPRIGHT VACUUM.

Always connect to a polarized outlet (one slot is wider than the other). Unplug from outlet when not in use and before conducting maintenance. When using an electrical appliance, basic precautions should be observed, including the following:



WARNING

- Do not leave vacuum cleaner when it is plugged in. Unplug from outlet when not in use and before servicing.
- Do not use outdoors or on wet surfaces.
- Do not allow to be used as a toy. Close attention is necessary when used by or near children.
- Do not use for any purpose other than described in this User's Guide. Use only manufacturer's recommended attachments.
- Do not use with damaged cord or plug. If appliance is not working as it should, has been dropped, damaged, left outdoors, or dropped into water, have it repaired at an authorized service center.
- Do not pull or carry by cord, use cord as a handle, close a door on cord, or pull cord around sharp edges or corners. Do not run appliance over cord. Keep cord away from heated surfaces
- Do not unplug by pulling on cord. To unplug, grasp the plug, not the cord.
- Do not handle plug or vacuum cleaner with wet hands.
- Do not put any object into openings. Do not use with any opening blocked; keep openings free of dust, lint, hair, and anything that may reduce air flow.
- Keep hair, loose clothing, fingers, and all parts of body away from openings and moving parts.
- Turn off all controls before plugging or unplugging vacuum cleaner.
- Use extra care when cleaning on stairs.
- Do not use to pick up flammable or combustible materials (lighter fluid, gasoline, kerosene, etc.) or use in areas where they may be present.
- Do not use vacuum cleaner in an enclosed space filled with vapors given off by oil base paint, paint thinner, some moth proofing substances, flammable dust, or other explosive or toxic vapors.
- Do not use to pick up toxic material (chlorine bleach, ammonia, drain cleaner, etc.).

- Do not pick up anything that is burning or smoking, such as cigarettes, matches, or hot ashes.
- Do not use without filters in place.
- Do not pick up hard or sharp objects such as glass, nails, screws, coins, etc.
- Use only on dry, indoor surfaces.
- Keep appliance on a level surface.
- Do not carry the vacuum cleaner while it is running.
- Unplug before connecting or disconnecting the Pet TurboEraser® Tool.

SAVE THESE INSTRUCTIONS

This model is for household use only

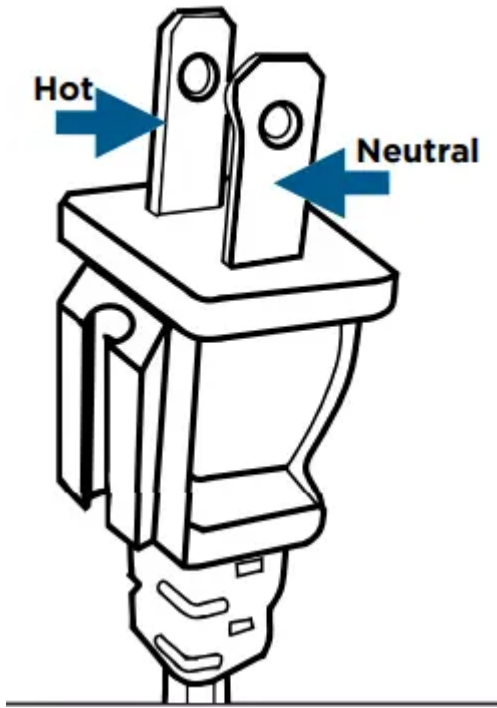


WARNING

- Before using your vacuum, make sure the dirt container is in locked position and that all filters, both pre- and post-filters are in place. DO NOT operate your vacuum without these filters.
- Plastic film can be dangerous. To avoid danger of suffocation, keep away from children.
- Do not plug in your vacuum UNTIL you are familiar with all instructions and operating procedures.
- To reduce the risk of electrical shock, turn power switch off and disconnect polarized plug from electrical outlet BEFORE performing maintenance or troubleshooting checks.

THIS APPLIANCE HAS A POLARIZED PLUG

To reduce the risk of electric shock, this appliance has a polarized plug (one blade is wider than the other). This plug will fit in a polarized outlet only one way. If the plug does not fit fully in the outlet, reverse the plug. If it still does not fit, contact a qualified electrician to install a proper outlet. Do not change the plug in any way

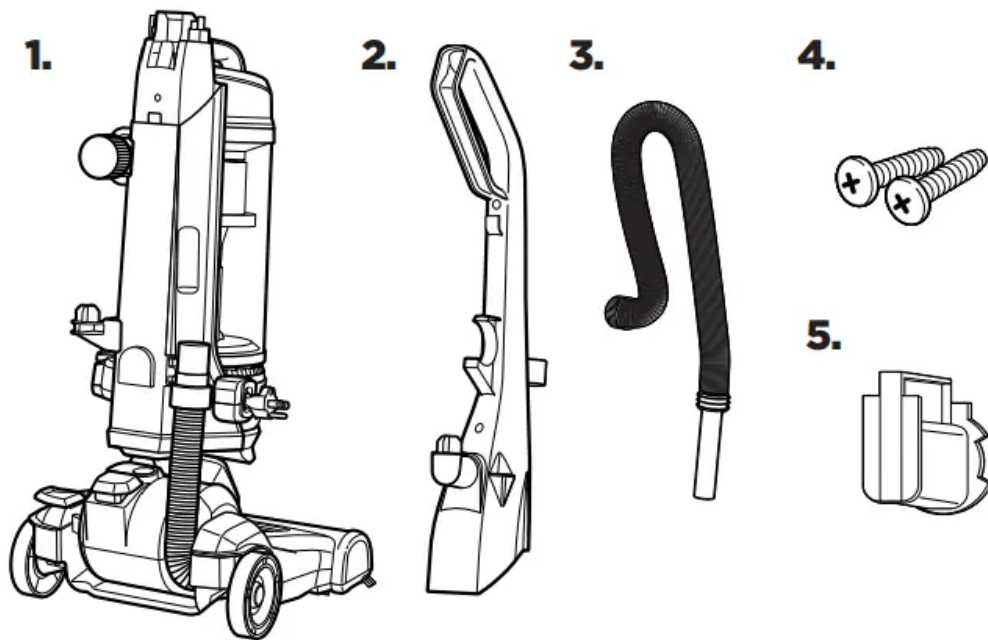


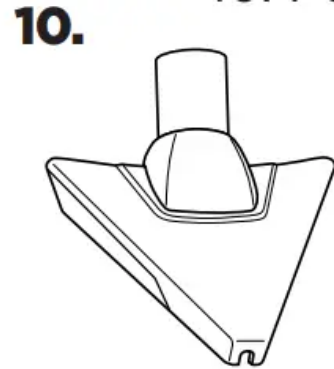
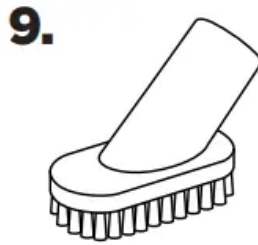
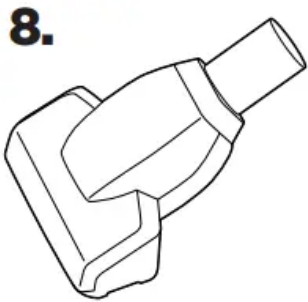
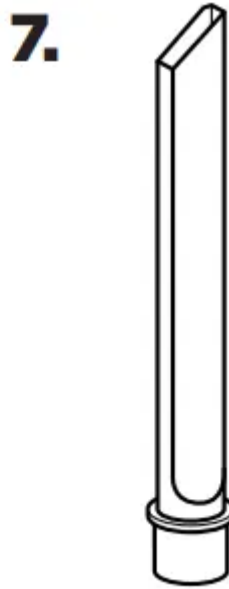
Thanks for buying a BISSELL vacuum!

We love to clean and we're excited to share one of our innovative products with you. This guide has important instructions on how your new vacuum works, including using (page 6), maintaining (pages 7-9), and if there is a problem, troubleshooting (page 10).

In just a few simple assembly steps, you'll be ready to vacuum. Flip to page 5 and let's get started!

What's In The Box?





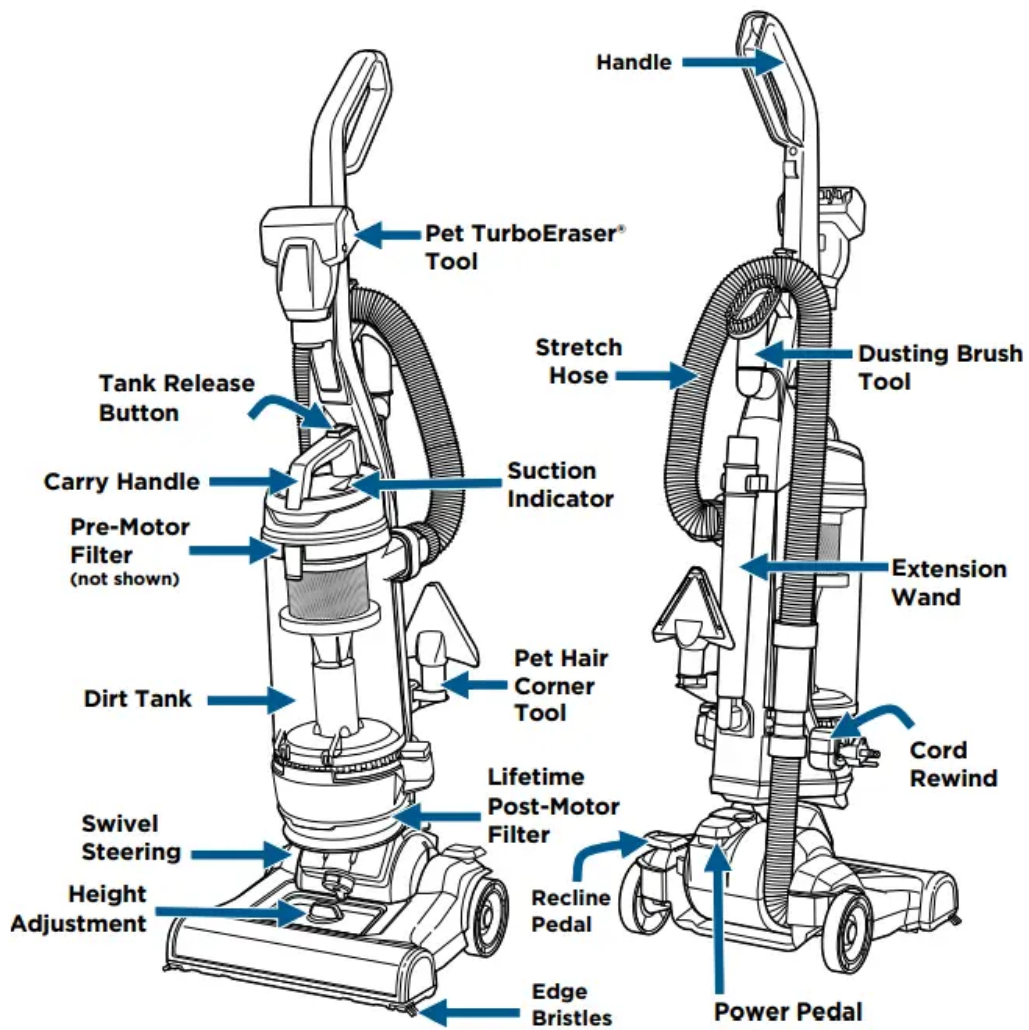
1. Vacuum Base
2. Handle
3. Hose
4. 2 Screws (taped to Handle)
5. Extension Wand Base
6. Extension Wand
7. Crevice Tool (stored inside Extension Wand)
8. Pet TurboEraser® Tool
9. Dusting Brush
10. Pet Hair Corner Tool

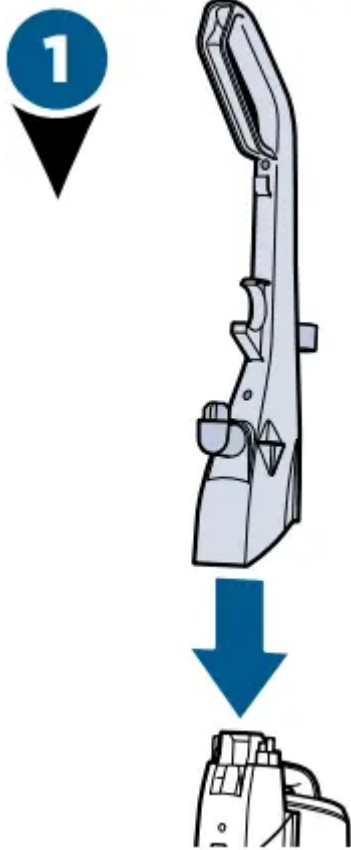
Product View



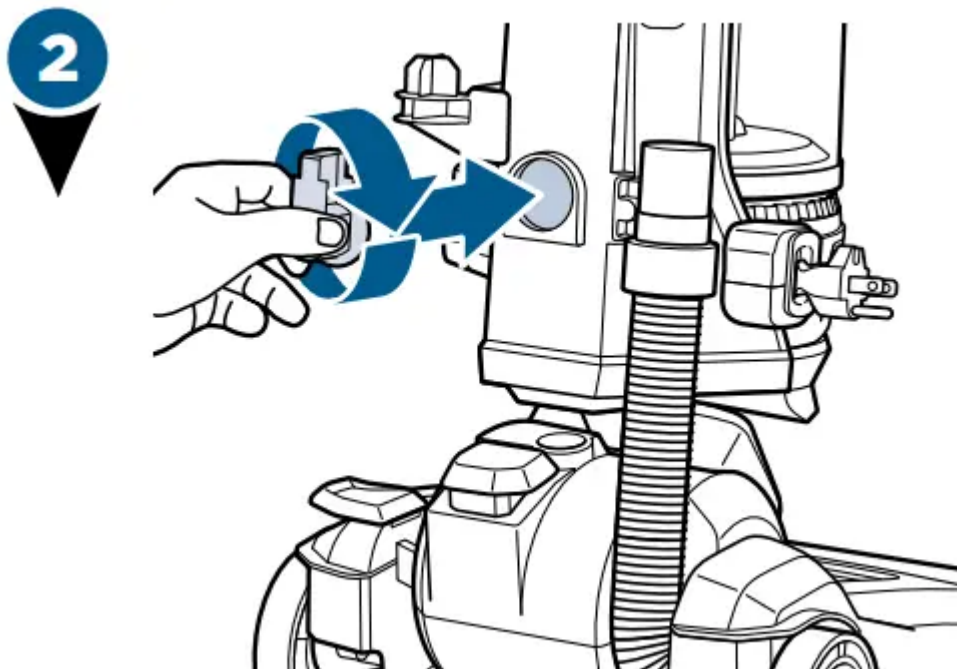
WARNING

Do not plug in your vacuum until you are familiar with all instructions and operating procedures.



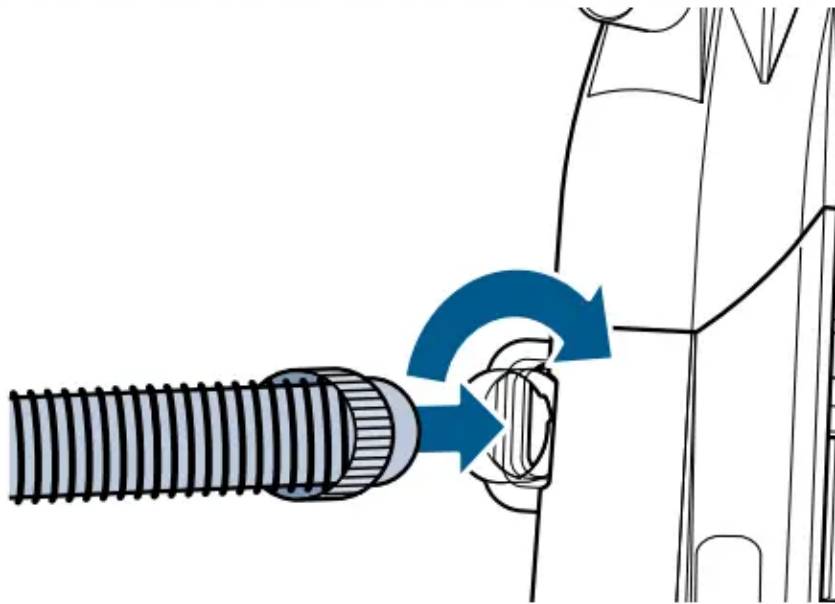


Place the upper handle onto the base and push it down. Then attach the handle with the 2 screws taped to the handle in a plastic bag.

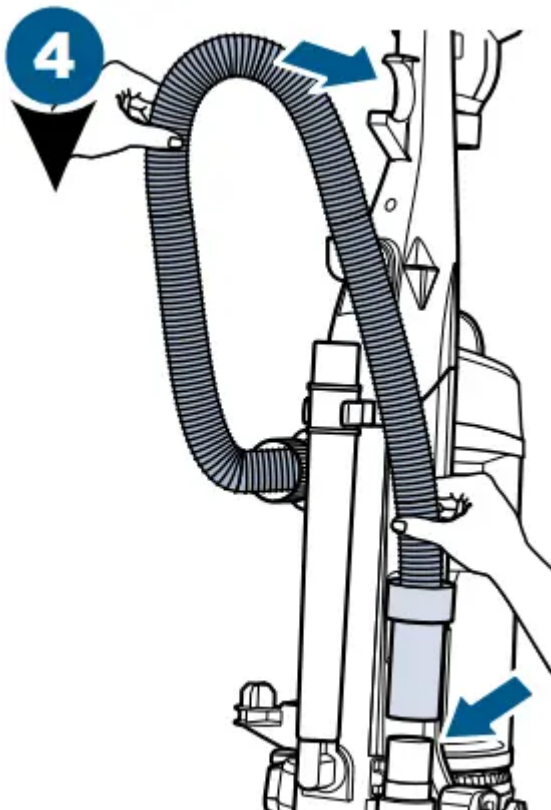


Insert the extension wand base and turn it to the right to lock in place.

3

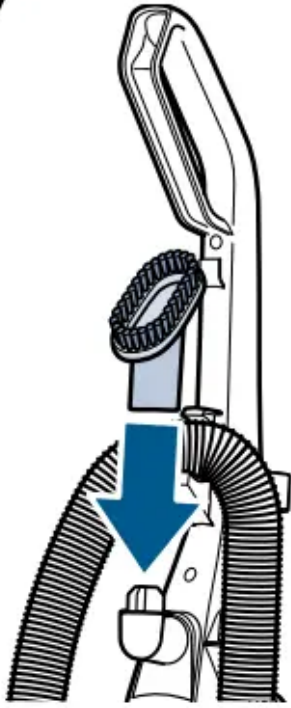


Insert the hose end into the back of the vacuum and twist right to lock in place.

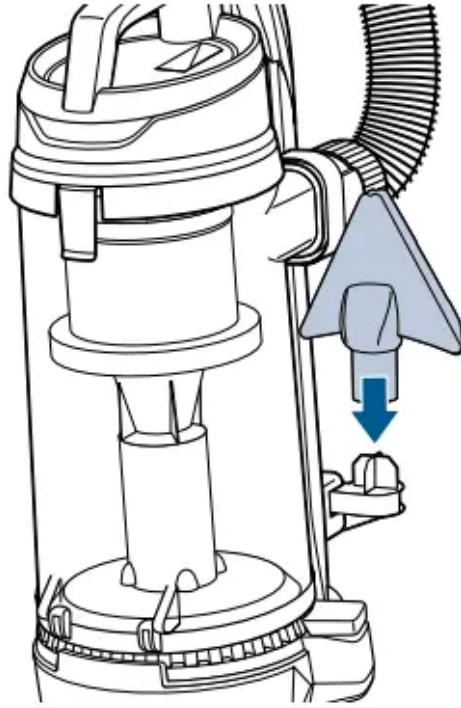


Wrap hose up and around the hose wrap on the handle. Slide end of hose into vacuum base.

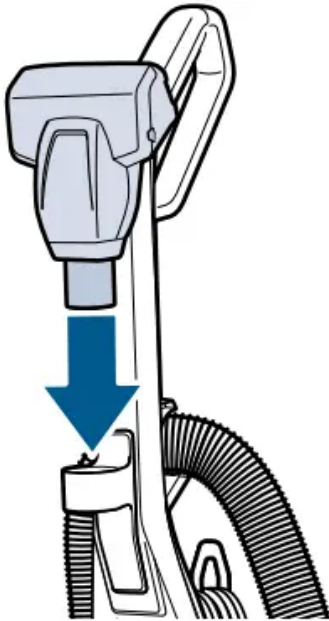




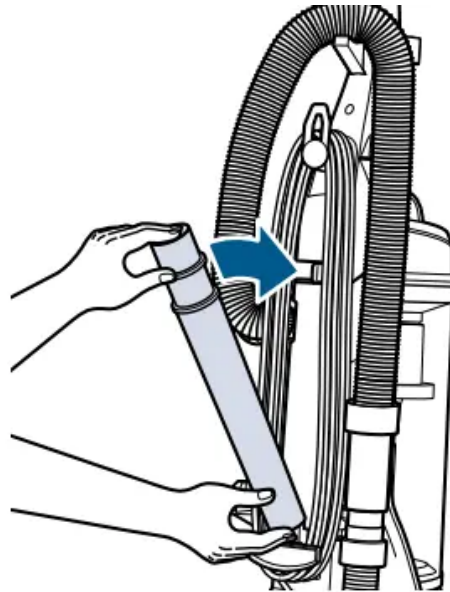
Dusting Brush



Pet Hair Corner Tool



TurboEraser® Tool



Extension Wand

(Crevice Tool stores inside)

Now, put your accessory tools on the vacuum and you're ready to go!

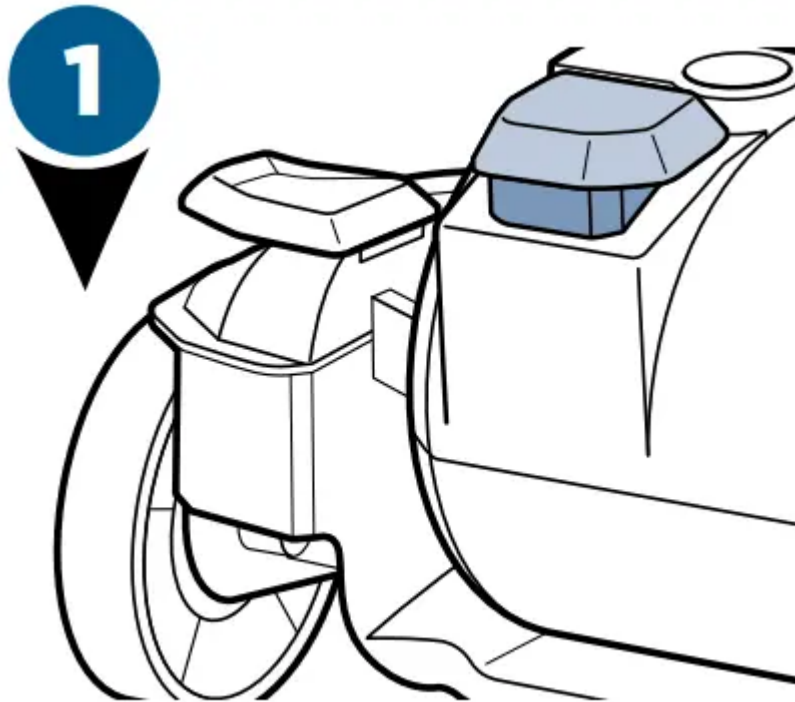
NOTE: The Powerfoot will not suction properly unless the hose is firmly attached





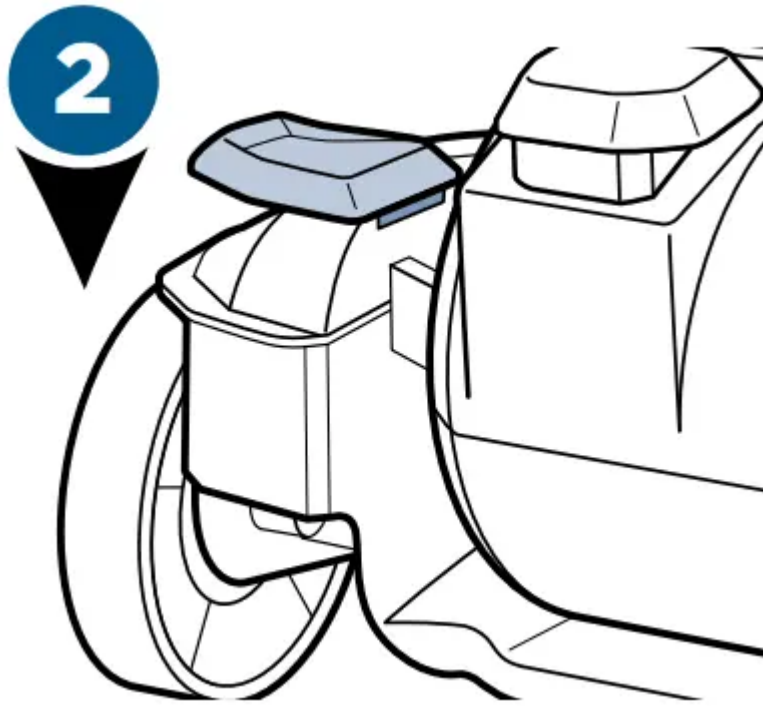
Power On & Settings



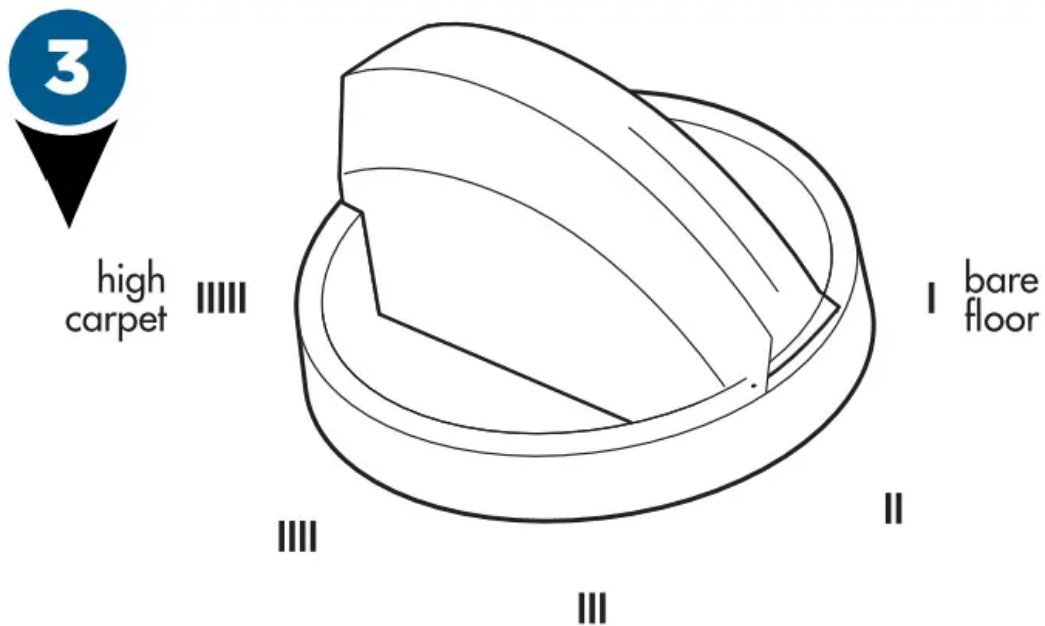
To reduce the risk of injury from moving parts while the vacuum is turned on, always move the vacuum via the rolling wheels by using the upper handle at the back of the vacuum. Do not carry the vacuum while it is running. Always place vacuum on floor with handle in upright position when using tools.



Press the red power button with your foot to turn the vacuum ON , and once again to turn your vacuum OFF .



Press the recline pedal and pull handle back towards you.



Turn the dial on the foot of the vacuum to the desired setting. If the dial is difficult to turn, tilt the vacuum back slightly to take the weight off the foot while turning.

Lowest setting

– For low pile carpet or bare floors. To pick up debris, it may be necessary to move up one setting.

Medium setting

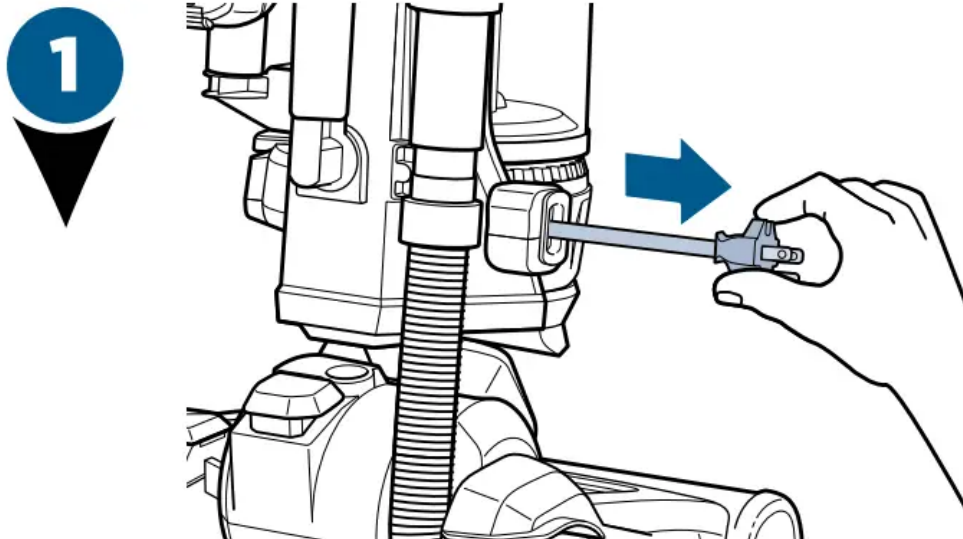
– For medium pile carpet.

Highest setting

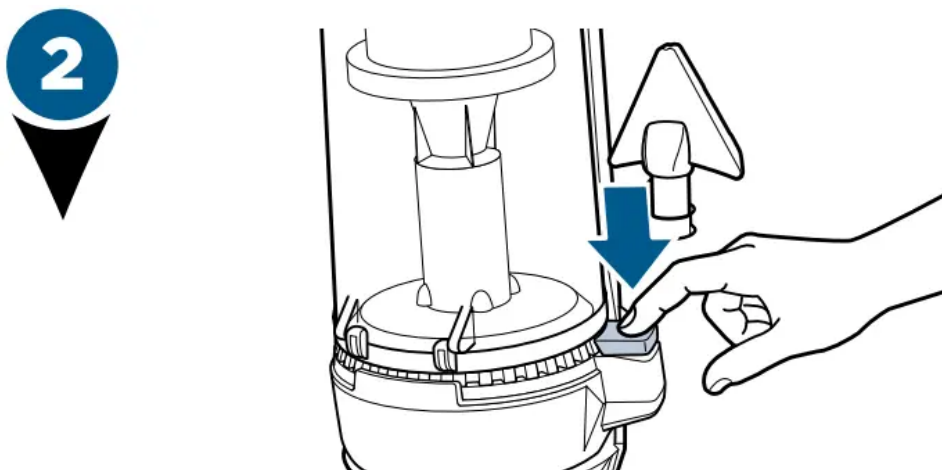
– For high pile and most shag carpet.

TIP: For optimal carpet cleaning performance, adjust to the lowest practical setting. If your vacuum is difficult to push, adjust to the next higher setting.

Automatic Cord Rewind



To plug your vacuum in, gently pull the cord out of the automatic cord rewind and stop at the yellow mark on the cord. Do not pull past the red mark. Once you have the desired amount of cord, plug it into the outlet.



When you finish using your vacuum, unplug it from the outlet. Hold onto the plug and press the automatic cord rewind button until it's fully retracted. If the cord doesn't fully retract on the first try, pull a little bit of cord out and press the rewind button again.

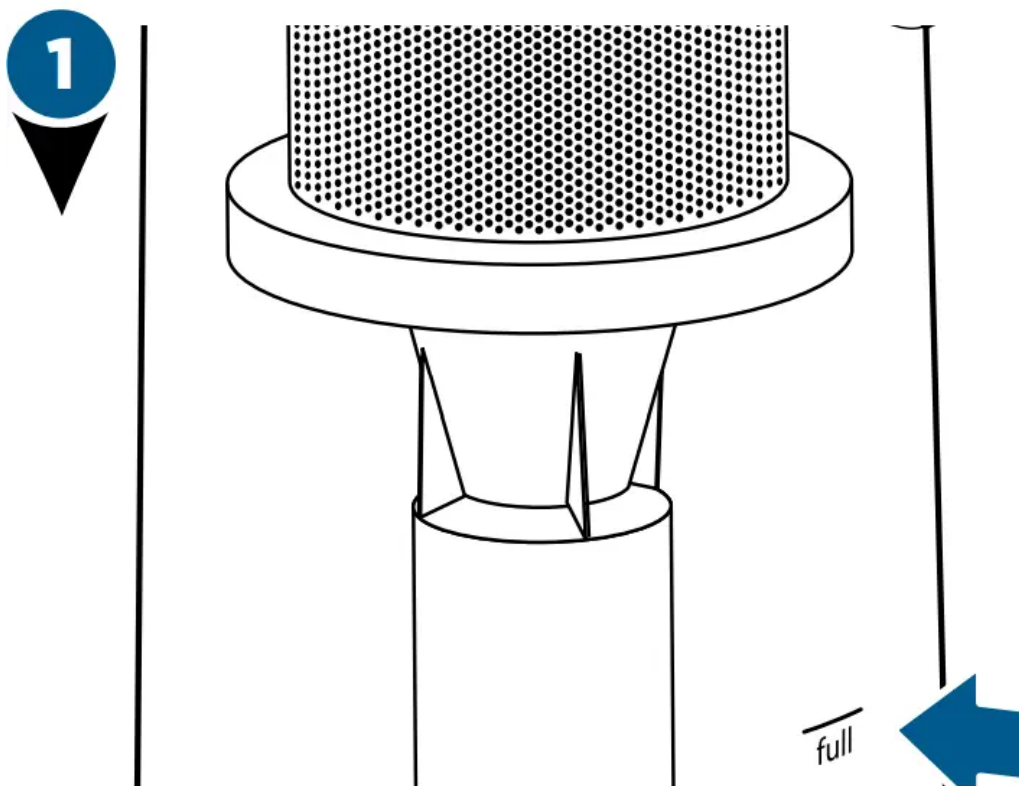
NOTE: Rotating floor brush continues to rotate while tools are in use. Never place fingers under the vacuum when it is running. Never place Powerfoot on furniture or uneven surfaces. Do not place vacuum close enough to objects to pull into rotating brush.

NOTE: Certain carpets and low humidity conditions may generate small static discharges. Static discharges are entirely harmless and are not associated in any way with the main power supply.

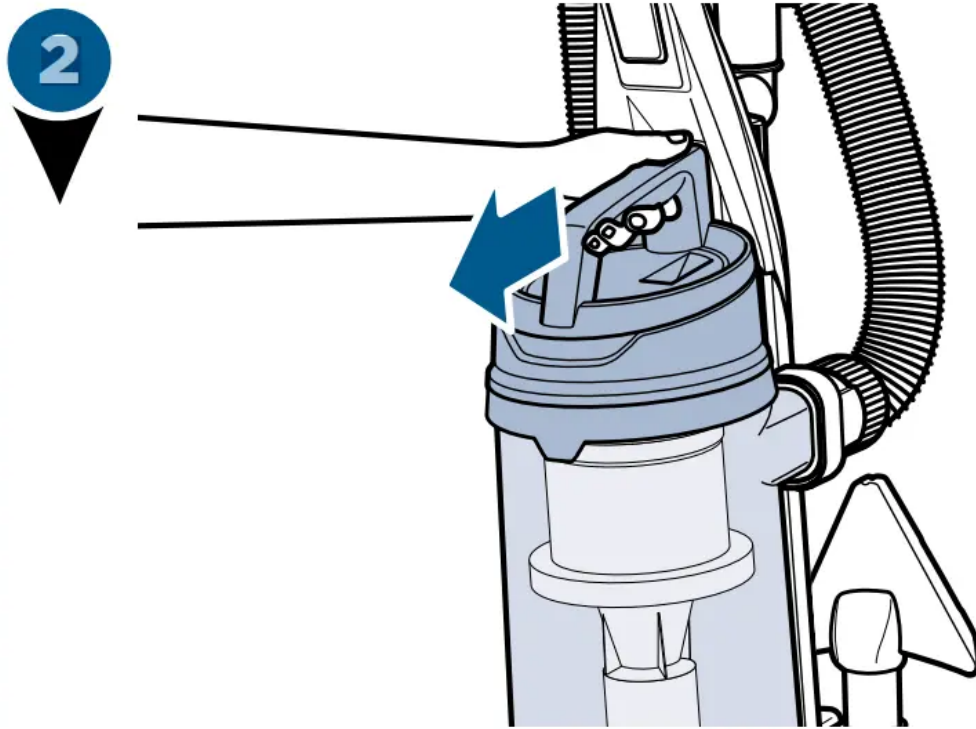
Empty the Dirt Tank



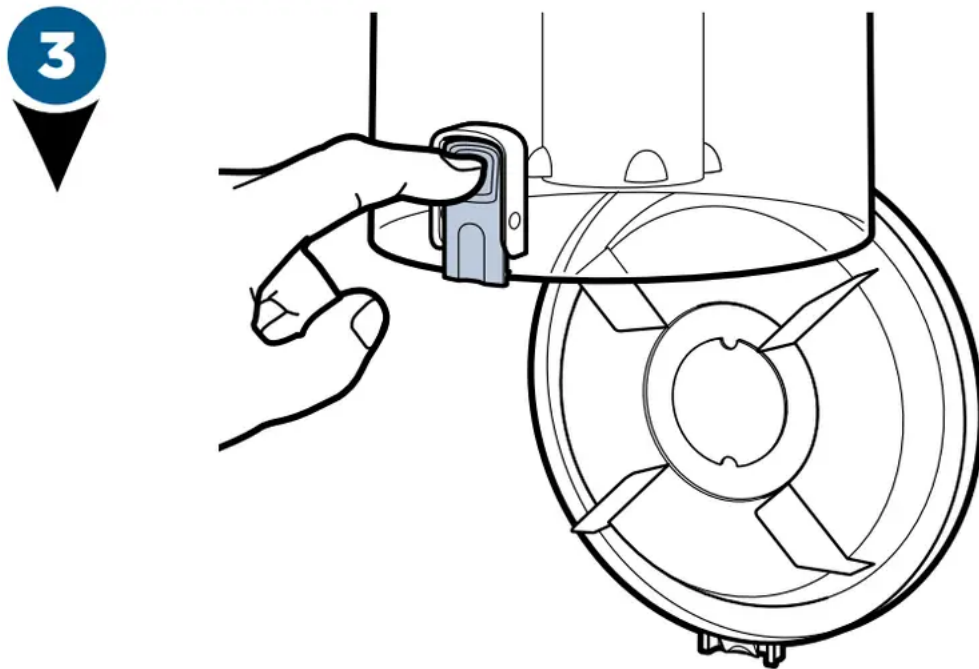
To reduce the risk of electric shock, turn power switch off and disconnect polarized plug from electrical outlet before performing maintenance or troubleshooting checks.



Empty once tank is full.

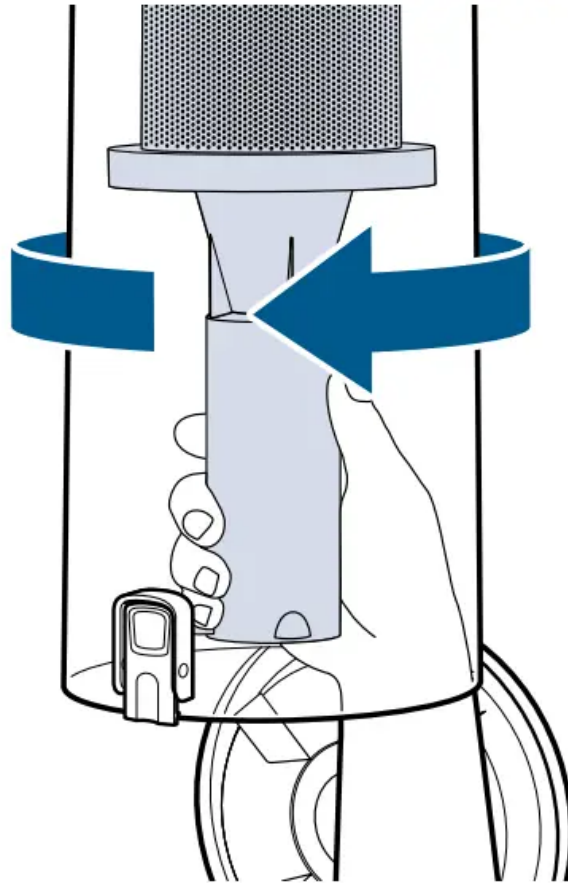


Press the tank release button and pull out to remove dirt tank.



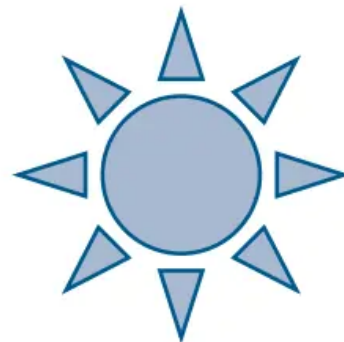
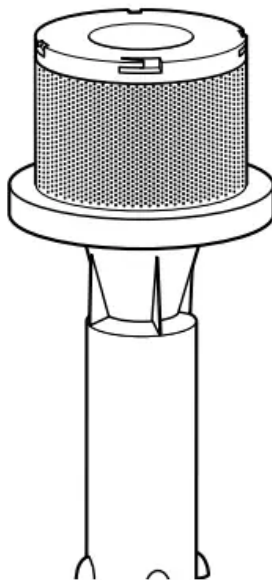
Hold the dirt tank over a trash container. Press the bottom release button to empty. Once empty, close the lid.

4

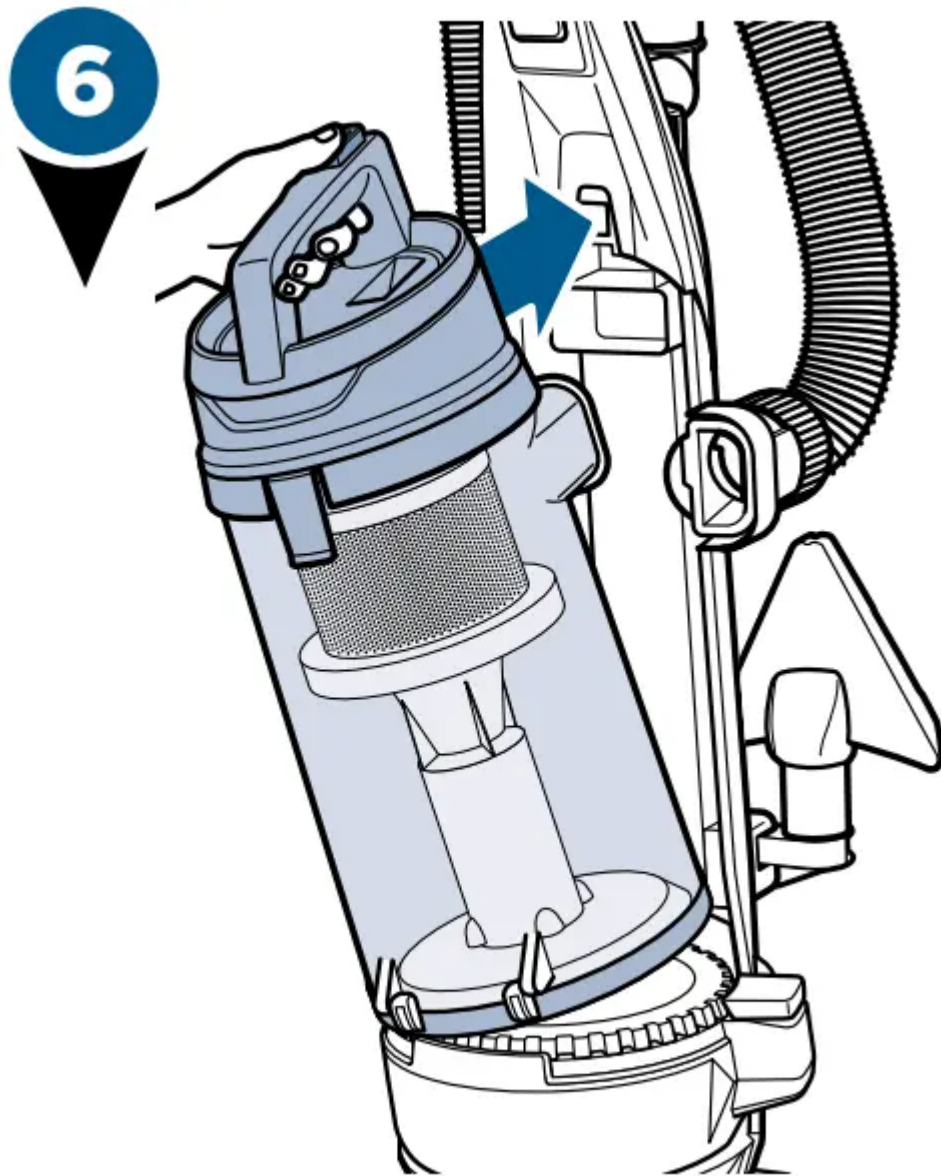


Twist cyclone left and pull down to remove from tank.

5



Clean cyclone with warm water and mild detergent. Let cyclone completely dry before replacing. To replace, fit into place and twist to the right.



After emptied, place tank back on vacuum and press firmly until you hear “click”.

NOTE: The dirt tank may be washed in warm water with a mild detergent. Make sure it is completely dry before replacing.

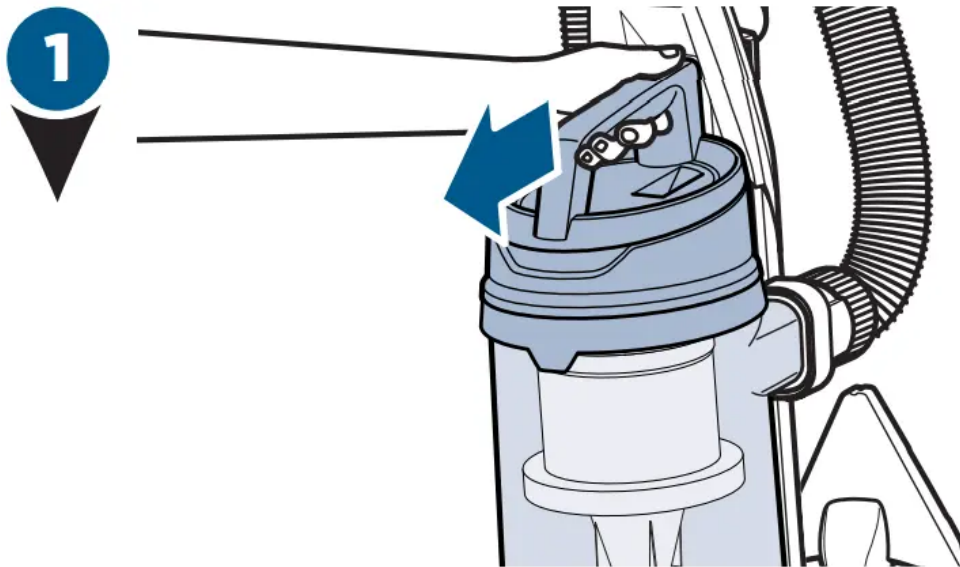
Clean the Pre-Motor Filter



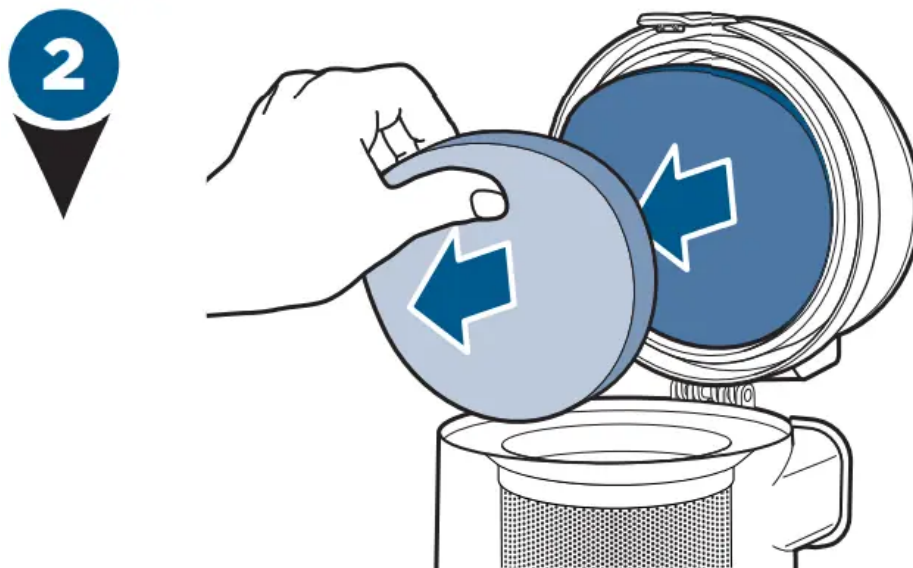
To reduce the risk of electric shock, turn power switch off and disconnect plug from electrical outlet before performing maintenance or troubleshooting checks.



Do not operate vacuum with damp or wet filters or without all filters in place.

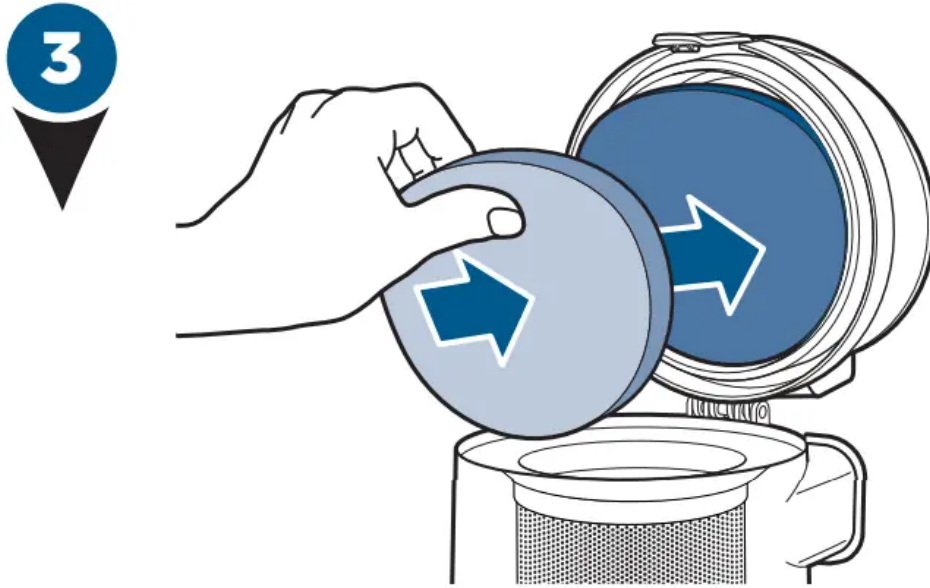


Press the tank release button and pull out to remove dirt tank.

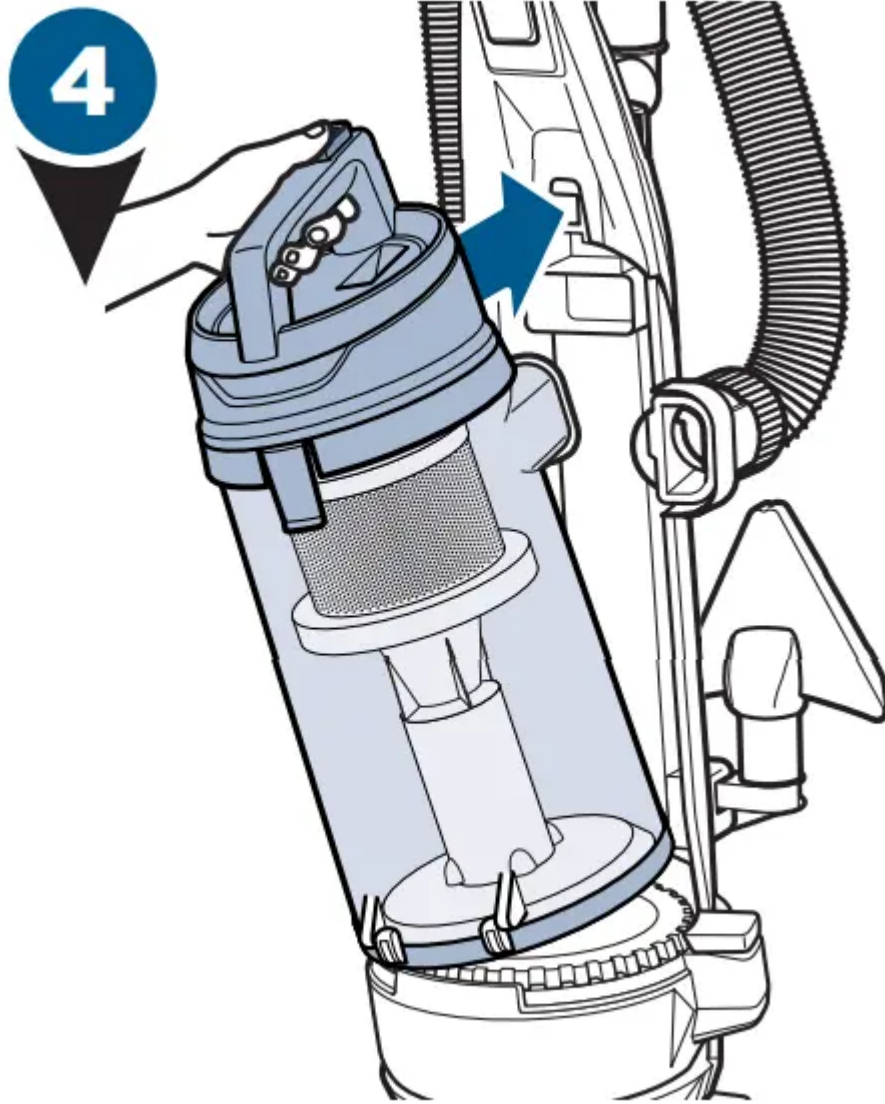


Remove carbon and foam filter from lid. Hand wash in warm water and rinse well; mild detergent may be used if desired.





Allow filter to air dry completely before placing back into the tank lid. The carbon filter should be on top of the foam filter.

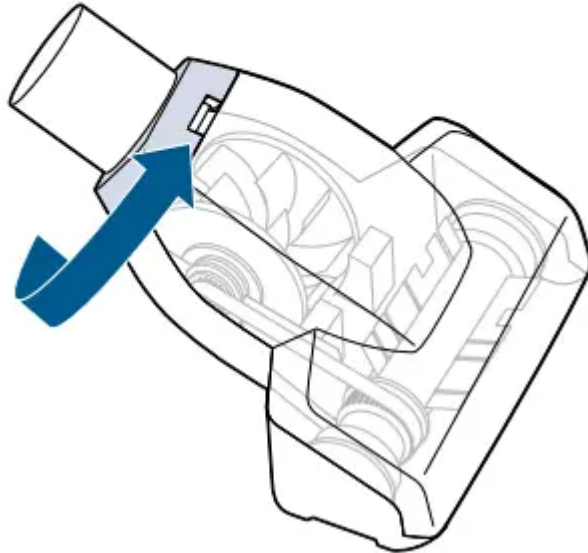


Return tank back on vacuum and press firmly until you hear “click”.

Maintain the TurboEraser® Tool

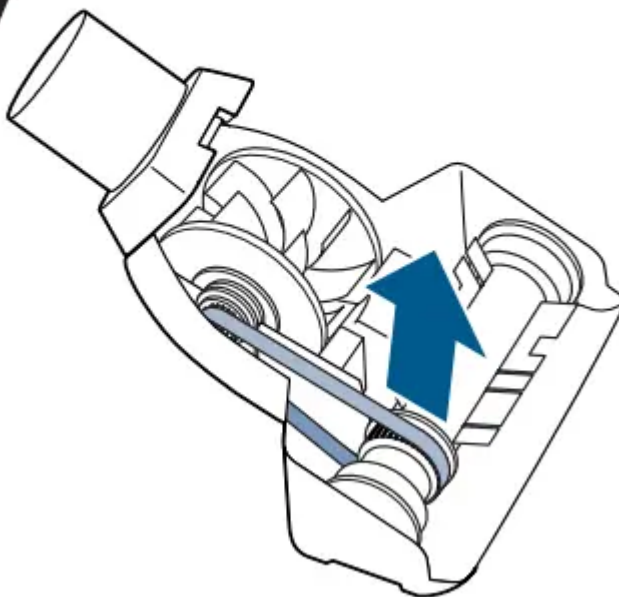


1



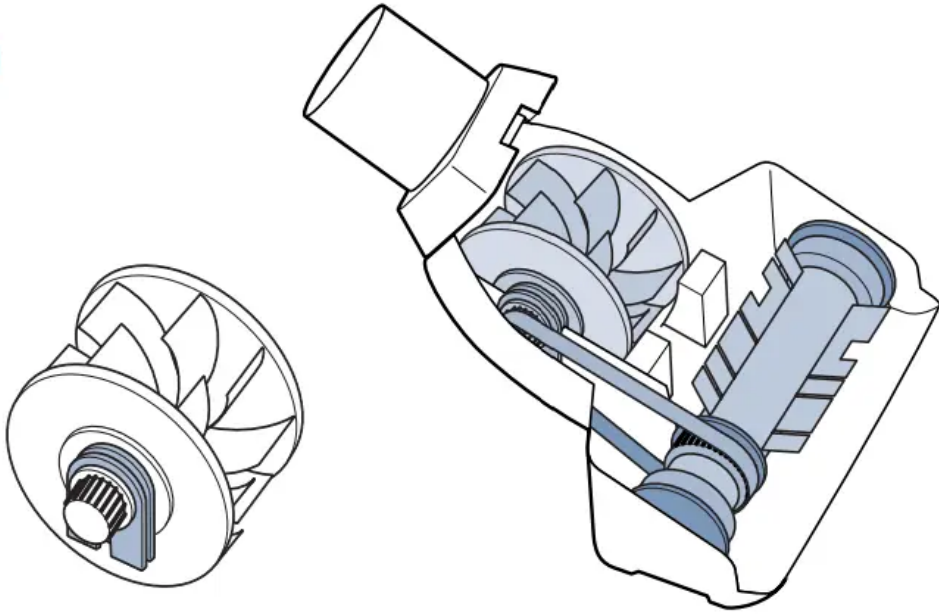
Twist gray collar counter clockwise, until slot appears, then separate faceplate.

2



Remove brush roll, belt, and paddle wheel. Inspect for damages and replace if necessary

3

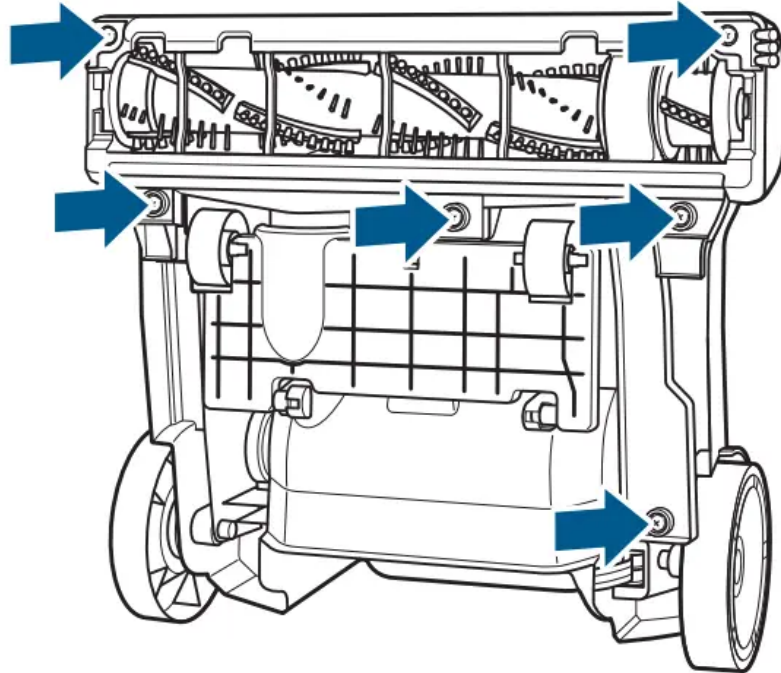


To reassemble, align two clips on each end of paddle wheel with belt on and pop back into place. Place brush roll with belt back in. Faceplate will not close properly if all parts are not aligned correctly.

Replace Brush & Belt

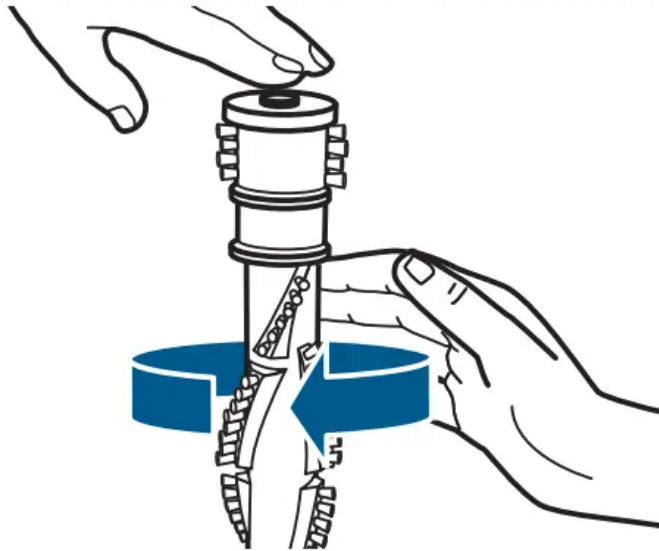
 **WARNING**

1



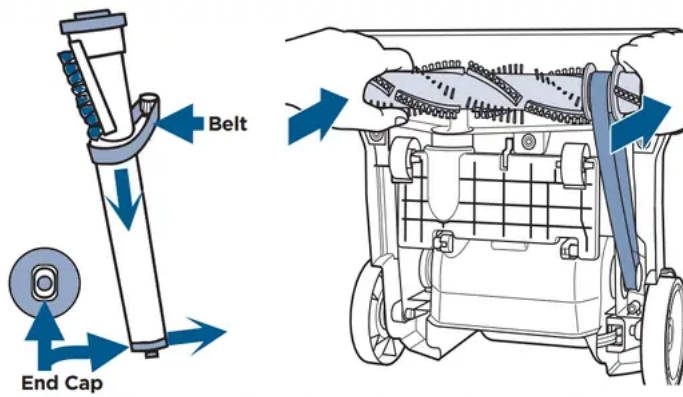
Unplug vacuum, turn over and unscrew six (6) Philips head screws to remove the bottom cover. Lift brush straight out.

2



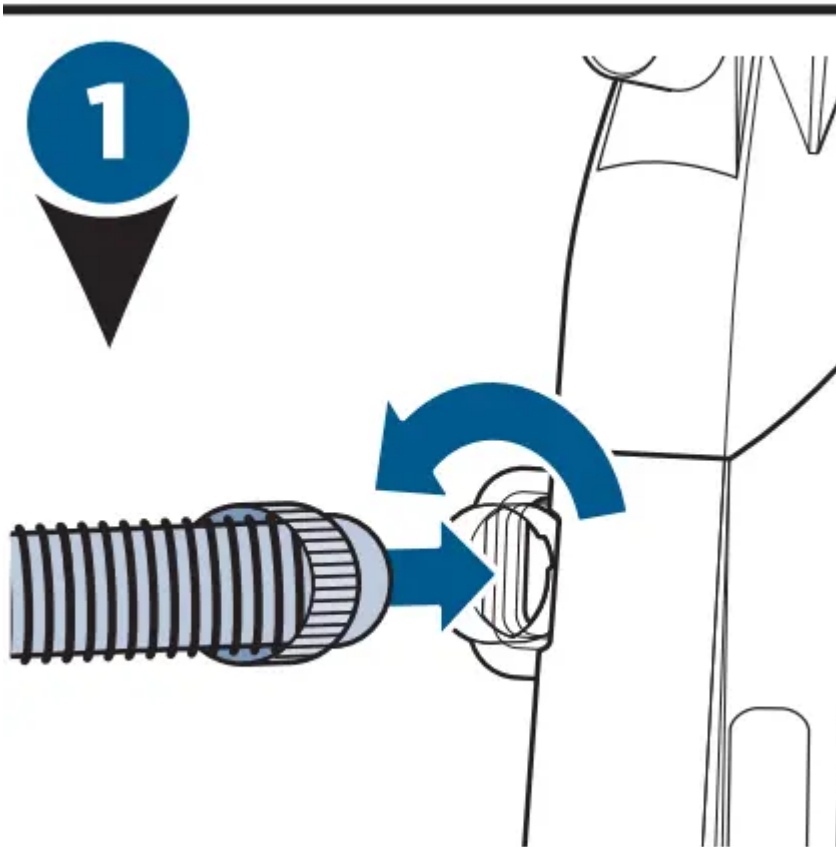
Clean debris from brush roll. Inspect by placing on its end and spin. The brush roll should spin freely, multiple times by one flick. If it doesn't, replace brush roll. Check belt for wear or cuts and replace if necessary.

3

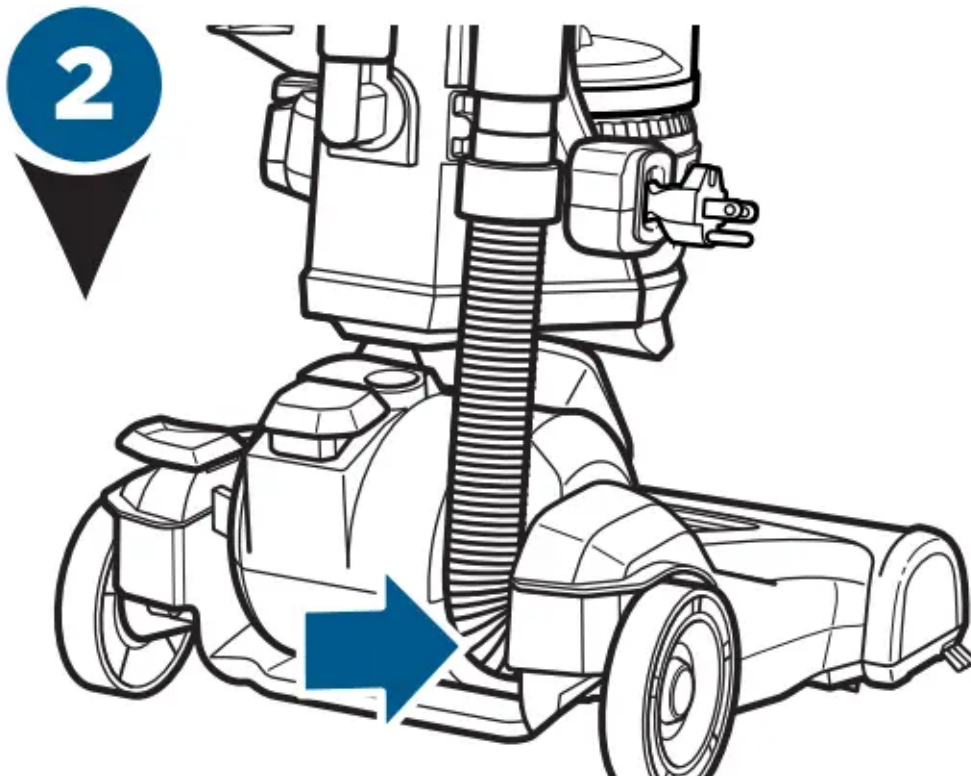


Replace the brush roll and belt by looping the belt over the motor shaft and the brush roll. Line up the end caps and pull the brush forward into place. This will stretch the belt. Return bottom cover back on and replace the screws.

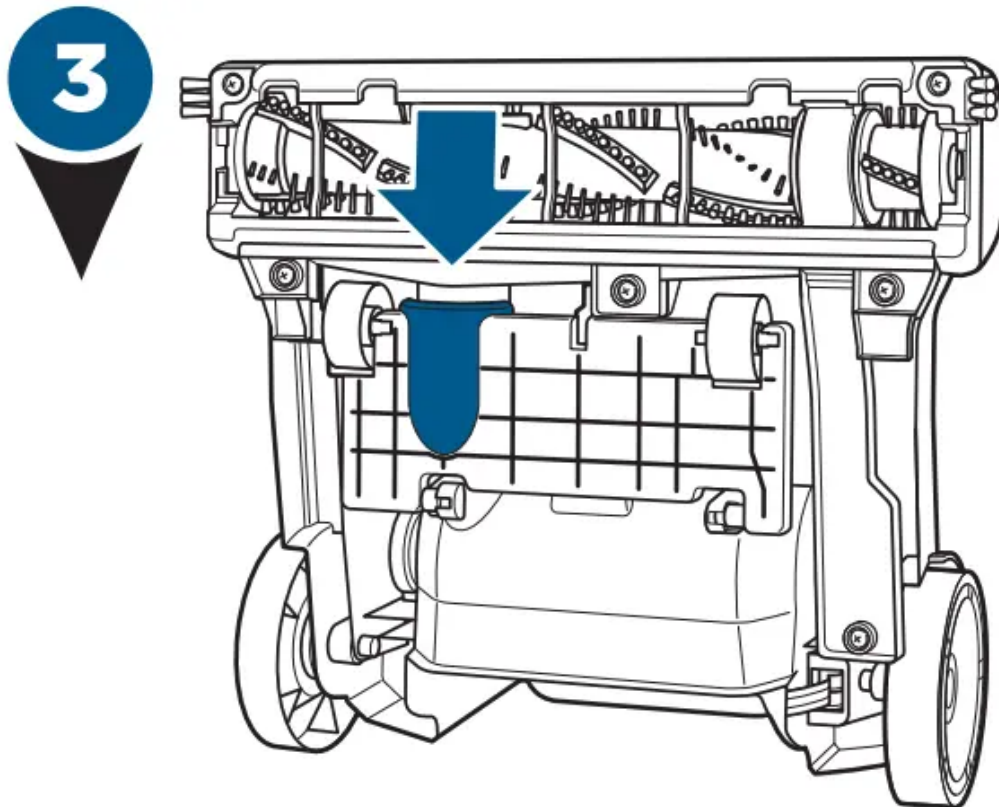
Clearing a Clog



Remove the hose from the back of the vacuum by twisting it to the left. Remove any debris that may have gotten clogged.



Check the foot hose on the back of your vacuum down towards the bottom. If necessary, remove the screw from the foot hose and check for clogs.



Check the air passageway on the bottom of your vacuum. Remove the bottom cover and the brush. Remove any debris.

Troubleshooting



WARNING

To reduce the risk of electric shock, turn power switch off and disconnect plug from electrical outlet before performing maintenance or troubleshooting checks.

Problem	Possible causes	Remedies
Vacuum won't turn on	Power cord not plugged in	Check electrical plug
	Blown fuse/tripped breaker	Check/replace fuse or reset breaker
Vacuum won't pick up dirt	Incorrect height adjustment	Adjust powerfoot to correct height setting
	Hose not attached to suction opening	Grasp the hose wand and firmly push into the hose wand base
	Crack or hole in hose	Check hose and replace if needed
	Broken or worn drive belt	Replace drive belt
	Rotating floor brush jammed	Remove brush and clean debris from brush ends
	Clog in vacuum	Check for debris build-up or clogs in the inner tank, hose and foot/lower hose; See online video for more help
	Dirt tank full	Empty dirt tank
	Dirt tank or upper tank not installed properly	Position correctly and lock in place.
	Filters are dirty	Check and clean or replace pre-motor and post-motor filters
Tool won't pick up	Crack or hole in hose	Check hose and replace if needed
	Clog in vacuum	Check for debris build-up or clogs in the inner tank, hose and foot/lower hose; See online video for more help
	Dirt tank full	Empty dirt tank

	Dirt tank or upper tank not installed properly	Position correctly and lock in place
	Filters are dirty	Check and clean or replace pre-motor and post-motor filters
Vacuum difficult to push	Incorrect height adjustment	Adjust powerfoot to correct height setting
Visible dirt escaping from vacuum	Dirt tank full	Empty dirt tank
	Filters missing or installed incorrectly	Check pre-motor and post-motor filters for correct installation.

Warning

This content is compiled from multiple sources and is provided for reference purposes only. It may not be complete or fully applicable to all situations. If you are unable to resolve your issue, please contact the product manufacturer or an authorized service provider for official support.

