

## USING THE AIR CONDITIONER

### Controls

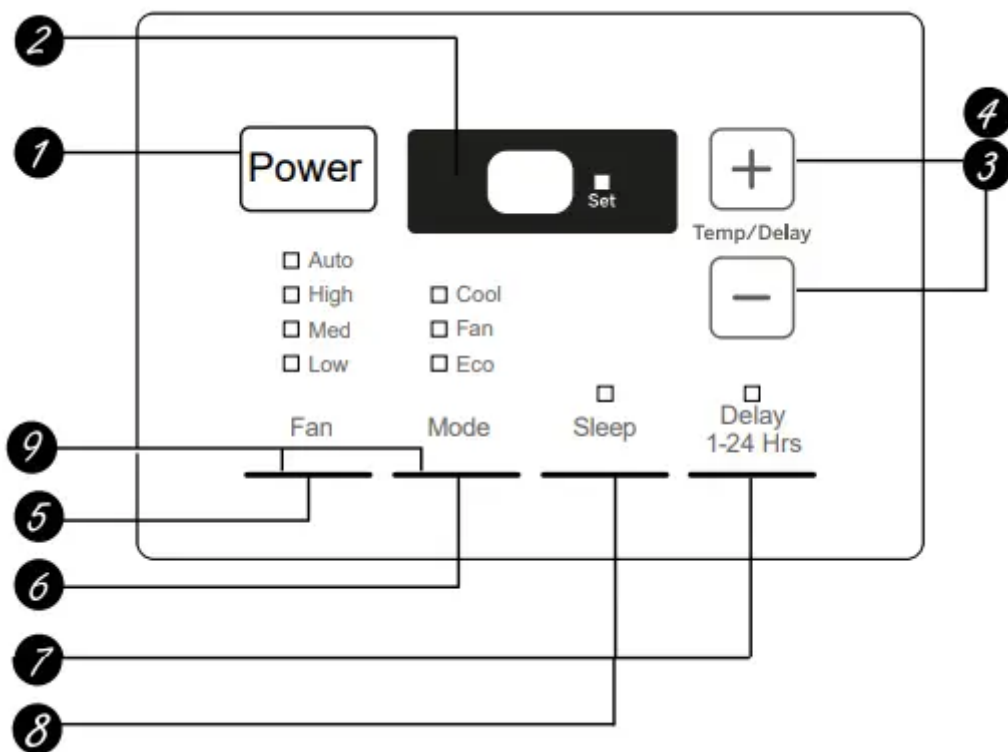
#### Do Not Operate in Freezing Outdoor Conditions

This cool-only air conditioner was not designed for freezing outdoor conditions. It must not be used in freezing outdoor conditions.

Features and appearance will vary.

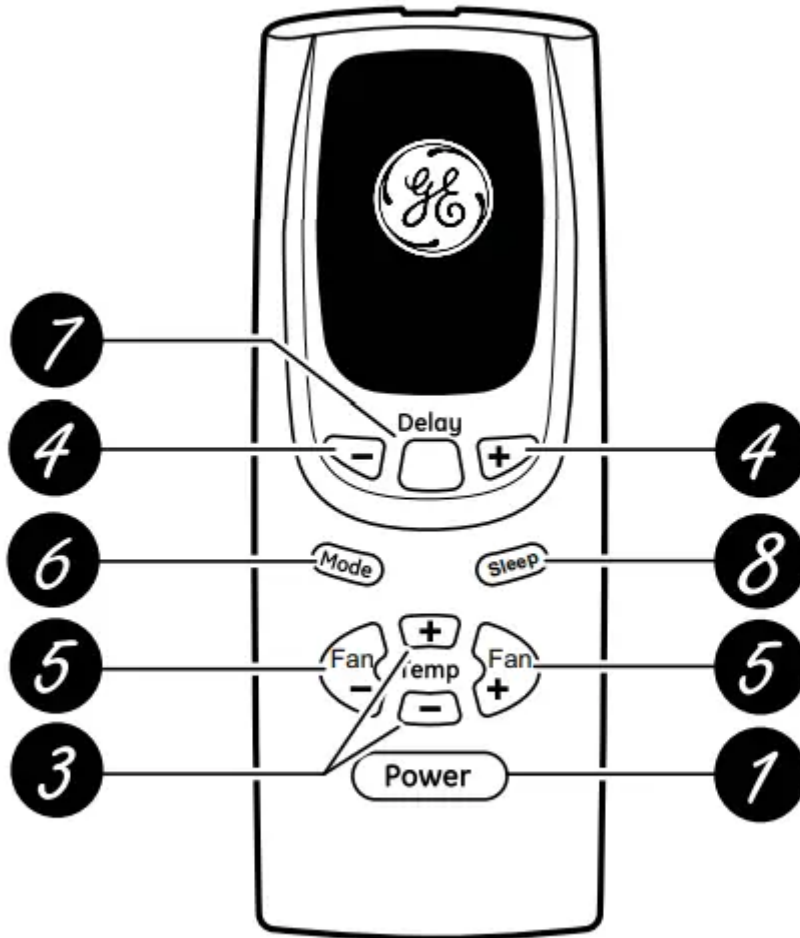
Lights next to the touch pads on the air conditioner control panel indicate the selected settings.

**Air Conditioner Controls**



**Remote Control**





**NOTE:** The display always shows the room temperature except when setting the Set temperature or the Delay timer.

**1. Power Pad**

Turns air conditioner on and off. When turned on, the display will show the room temperature.

**2. Display**

Shows the room temperature or time remaining on the Delay timer. Shows the Set temperature while setting the temperature in Cool or ECO modes. The Set light will turn on while setting.

**3. Temp Increase + /Decrease – Pads**

Use to set temperature when in Cool or ECO mode. The Set light will turn on while setting.

**4. Delay Timer Increase + /Decrease – Pads**



Each touch of the Increase + / Decrease – pads on the unit or the Increase + / Decrease – pads on the remote control will set the delay time when using the Delay 1–24hr timer. The Set light will turn on while setting.

### **5. Fan Speed Pads**

Use to set the fan speed to LOW, Med, High or Auto on the unit. NOTE: On the remote control, use the fan speed Increase + / Decrease – pads to set the fan speeds to Low, Med or High. Use the Auto pad to turn Auto fan on.

### **6. Mode Pad**

Use to set air conditioner to COOL, ECO or Fan Only mode.

### **7. Delay Pads/Delay 1-24hr Pad**

Delay ON—When the air conditioner is off, it can be set to automatically come on in 1 to 24 hours at its previous mode and fan settings.

Delay OFF—When the air conditioner is on, it can be set to automatically turn off in 1 to 24 hours.

#### **How to set:**

Press the Delay 1–24hr pad on the unit or the Delay pad on the remote control. Each touch of the Increase + / Decrease – pads on the unit or the Increase + / Decrease – pads on the remote control will set the timer in 1-hour intervals. The Set light will turn on while setting.

To review the remaining time on the Delay 1–24hr timer, press the Delay 1–24hr pad on the unit or the delay Pad on the remote control. Use the Increase + / Decrease – pads on the unit or the Increase + / Decrease – pads on the remote control to set a new time if desired.

To cancel the timer, press the Delay 1–24hr pad until the light on the Delay 1–24hr pad goes off.

**NOTE:** The default temperature reading on the display is degree Fahrenheit ( °F). To change the display to degree Celcius (°C), press the Temp Increase + and Temp Decrease – buttons together and hold for 3 seconds. Repeat the process to change back to degree Fahrenheit (°F)

### **8. Sleep Pad**

The SLEEP mode sets the unit to gradually change settings over an 8 hour period to allow for some increased energy efficiency during sleep hours. The SLEEP mode is available only in COOL and FAN only settings.

Press the SLEEP mode pad and its light will illuminate. The fan indicator will stay at the same setting but the air conditioner will automatically change the FAN speed to low in either COOL or FAN only mode.

In FAN only mode, the fan will stay in the LOW speed setting for 8 hours. After 8 hours, the air conditioner will resume the settings that were in place before the SLEEP mode pad was pressed. In COOL mode, the fan will stay in the LOW speed setting for 8 hours from the time the SLEEP mode pad was pressed. The air conditioner will also raise the set point 2°F in 30 minutes and 2°F more in another 30 minutes where it will remain for the next 7 hours. After 8 hours, the air conditioner will resume the settings that were in place before the SLEEP mode pad was pressed.

While the unit is in SLEEP mode, pressing any pad will return it to the settings that were in place before the SLEEP mode pad was pressed.

### **9. Control Display On and Off**

To reduce brightness during sleeping hours, this air conditioner control display has an automatic off feature where the control display will turn off completely after 2 minute of inactivity. To illuminate the control interface, press any button on the control display or remote control. The control display will illuminate all previously illuminated LED's. The control interface will now respond to any prescribed button press after it is illuminated.

Press and hold the FAN+MODE buttons simultaneously to toggle this feature ON or OFF. The LED's will now stay ON anytime the unit is ON

## **Remote Control**

- To ensure that proper operation, aim the remote control at the signal receiver on the air conditioner
- Make sure nothing is between the air conditioner and the remote control that could block the signal
- The remote control signal has a range of up to 20 feet
- Make sure batteries are fresh and installed correctly as indicated on the remote control
- Remote contains a magnet allowing it ti attach to metal surfaces

## **Cool Mode**

Use the Cool mode at Low. Med. High or Auto Fan Speed for cooling. Use the Temperature Increase + / Decrease - pads to set the desired temperature between 64°F and 86°F in 1°F increments.

An electronic thermostat is used to maintain the room temperature. The compressor will cycle on and off to keep the room at the set level of comfort. Set the thermostat at a lower number and the indoor air will become cooler. Set the thermostat at a higher number and the indoor air will become warmer.

**NOTE:** If the air conditioner is off and is then turned on while set to a Cool setting or if turned from a fan setting to a Cool setting, it may take approximately 3 minutes for the compressor to start and cooling to begin.

### **Cooling Descriptions**

For Normal Cooling—Select the Cool mode and High or Med fan with a middle set temperature.

For Maximum Cooling—Select the Cool mode and High fan with a lower set temperature.

For Quieter and Nighttime Cooling—Select the Cool mode and Low fan with a middle set temperature.

### **ECO Mode**

This mode optimizes the cooling power of your air conditioner, thereby saving you energy. Once the set point temperature has been reached, the fan will cycle off to save energy. The fan will cycle back on periodically to insure all cooling capacity in the system is used. This mode is the default mode for the unit. Each time the unit is powered off, it will restart in ECO mode ON. This includes Delay timer mode. The first time the unit is turned on, the settings will be 70° and Low fan. You can adjust the fan speed and temperature to your personal comfort.

**ECO ON**—Helps minimize electricity use. It is normal for the fan to cycle off and then back on in this mode.

This on/off cycle can repeat multiple times. Because the fan will cycle off, you may notice a variation in room temperature and humidity.

**ECO OFF**—When this mode is not engaged, the fan will run continuously, and in Cool mode the compressor will cycle on and off to maintain room temperature.

### **Fan Only Mode**

Use the Fan Only mode at Low, Med or High fan speed to provide air circulation and filtering without cooling. Since fan-only settings do not provide cooling, a Set temperature cannot be entered. The room temperature will appear in the display.

**NOTE:** Auto Fan Speed cannot be used when in the **Fan Only** Mode.

### **Auto Fan Speed**

Set to Auto fan speed for the fan speed to automatically set to the speed needed to provide optimum comfort settings with the set temperature.

If the room needs more cooling, the fan speed will automatically increase. If the room needs less cooling, the fan speed will automatically decrease.

**NOTE:** Auto Fan Speed cannot be used when in the Fan Only Mode.

## Control Display On and Off

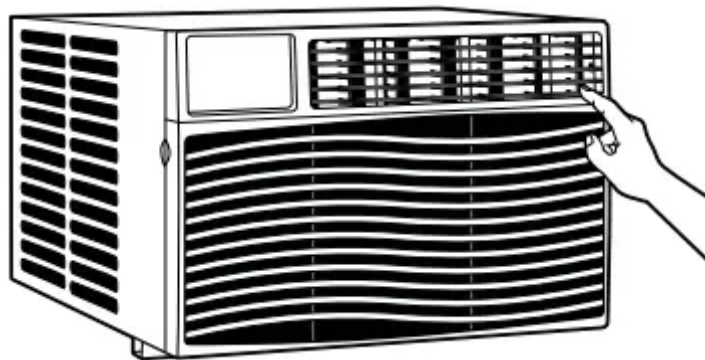
To reduce brightness during sleeping hours, this air conditioner control display has an automatic off feature where the control display will turn off completely after 2 minute of inactivity. To illuminate the control interface, press any button on the control display or remote control. The control display will illuminate all previously illuminated LED's. The control interface will now respond to any prescribed button press after it is illuminated.

## Power Outage Recovery Feature

In the case of a power outage or interruption, the unit will automatically restart in the settings last used after the power is restored. If the Delay 1–24hr feature was set, it will resume countdown. You may need to set a new time if desired.

## Air Direction

Use the lever to adjust the air direction left and right only.



## Care and Cleaning

### Grille and Case

Turn the air conditioner off and remove the plug from the wall outlet before cleaning.

To clean, use water and a mild detergent. Do not use bleach or abrasives.

### Air Filter

The air filter behind the front grille should be checked and cleaned at least every 30 days or more often if necessary.

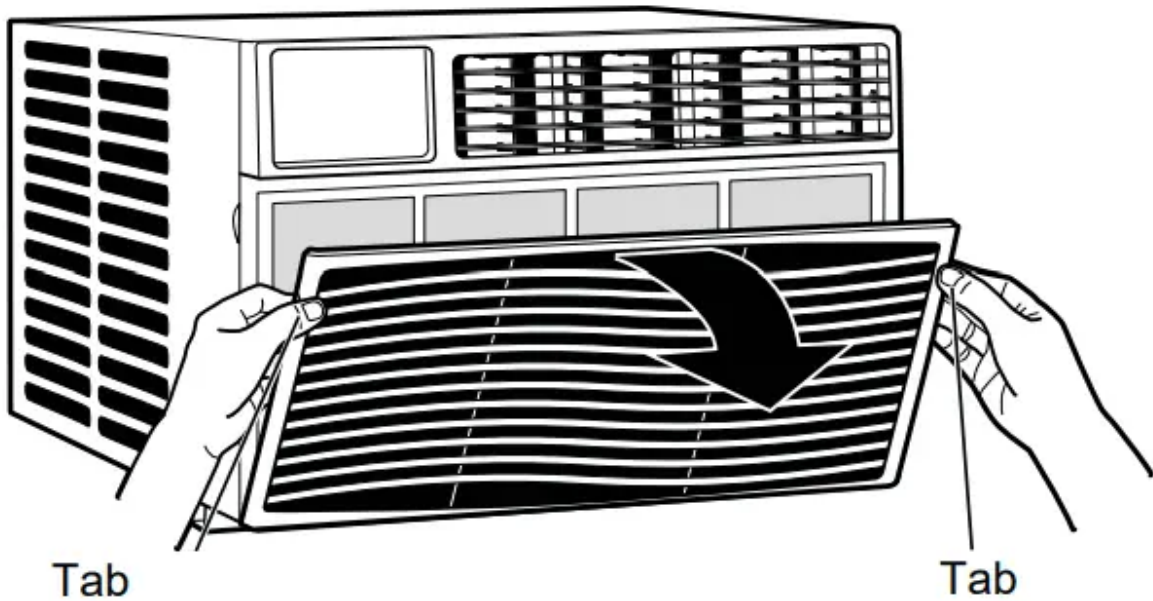
To remove:

Open the inlet grille by pulling downward on the tabs at the top upper corners of the inlet grille until the grille is in a 45° position. Remove the filter.

Clean the filter with warm, soapy water. Rinse and let the filter dry before replacing it. Your filter is also dishwasher safe, top rack and straight placement in dishwasher is recommended.

## **⚠ CAUTION**

DO NOT operate the air conditioner without a filter because dirt and lint will clog it and reduce performance.



### **Outdoor Coils**

The coils on the outdoor side of the air conditioner should be checked regularly. If they are clogged with dirt or soot, they may be professionally cleaned.

### **How to Insert the Batteries in the Remote Control**

1. Remove the battery cover by sliding it according to the arrow direction.
2. Insert new batteries, making sure that the (+) and (-) of battery are installed correctly.
3. Reattach the cover by sliding it back into position.

#### **NOTES:**

- Use 2 “AAA” (1.5 volt) alkaline batteries. Do not use rechargeable batteries.
- Remove the batteries from the remote control if the system is not going to be used for a long time.
- Do not mix old and new batteries. Do not mix alkaline standard ( carbon-zinc) or rechargeable (ni-cad, ni-mh, etc) batteries.

# Installation Instructions

Questions? Call GE Appliances at 800.GE.CARES (800.432.2737) or visit our Website at: [GEAppliances](#)

In Canada, call 1.800.561.3344 or visit our Website at: [GEAppliances](#)

## BEFORE YOU BEGIN

Read these instructions completely and carefully.

- **IMPORTANT** — Save these instructions for local inspector's use.
- **IMPORTANT** — Observe all governing codes and ordinances.
- **Note to Installer** – Be sure to leave these instructions with the Consumer.
- **Note to Consumer** – Keep these instructions for future reference.
- **Skill level** – Installation of this appliance requires basic mechanical skills.
- **Completion time** – Approximately 1 hour
- We recommend that two people install this product.
- Proper installation is the responsibility of the installer.
- Product failure due to improper installation is not covered under the Warranty.
- You must use all supplied parts and use proper installation procedures as described in these instructions when installing this air conditioner

## ELECTRICAL REQUIREMENTS



Some models require a 115/120-volt AC 60-Hz grounded outlet protected with a 15-amp time-delay fuse or circuit breaker

The 3-prong grounding plug minimizes the possibility of electric shock hazard. If the wall outlet you plan to use is only a 2-prong outlet, it is your responsibility to have it replaced with a properly grounded 3-prong wall outlet.

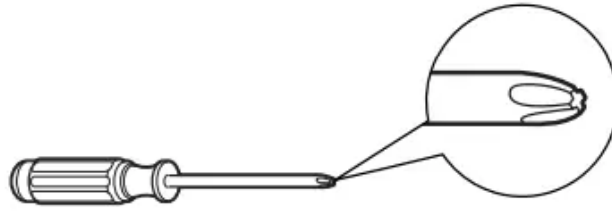


Some models require 230/208-volt AC protected with a time-delay fuse or circuit breaker. These models should be installed on their own single branch circuit for best performance and to prevent overloading house or apartment wiring circuits, which could cause a possible fire hazard from overheating wires.

## **⚠ CAUTION**

Do not, under any circumstances, cut or remove the third (ground) prong from the power cord. Do not change the plug on the power cord of this air conditioner. Aluminum house wiring may present special problems—consult a qualified electrician.

## TOOLS YOU WILL NEED



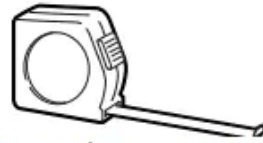
Phillips head screwdriver



Flat-blade screwdriver



Pencil



Ruler or tape measure

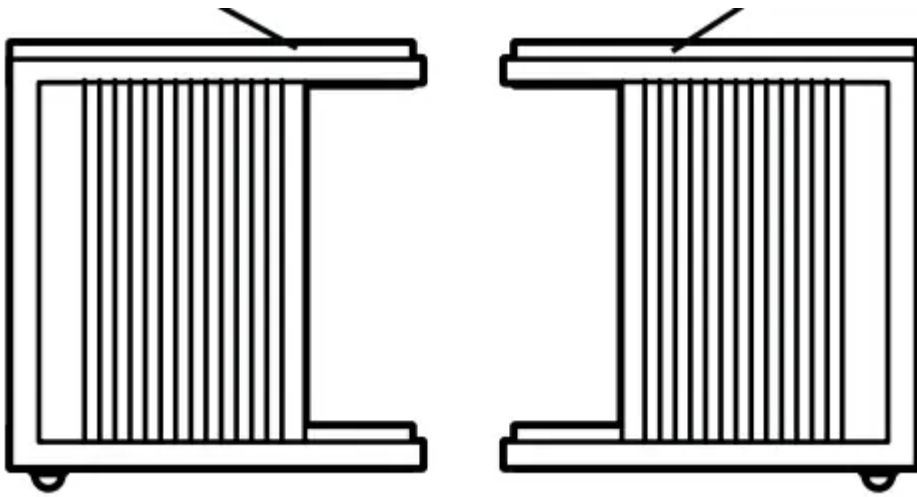


Level



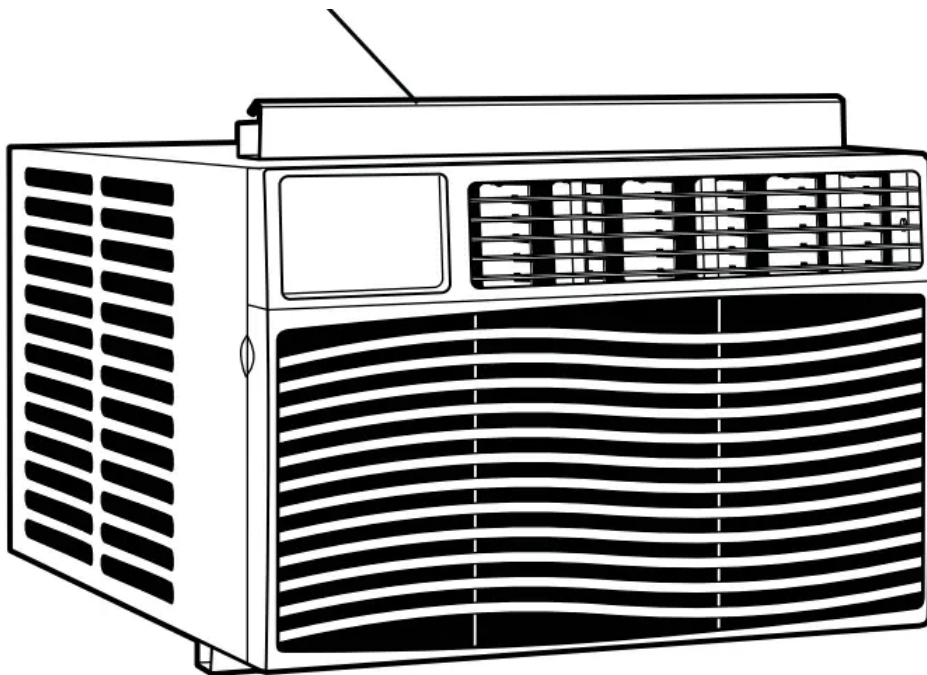
Scissors or knife

Power cord includes a current interrupter device. A test and reset button is provided on the plug case. The device should be tested on a periodic basis by first pressing the TEST button and then the RESET button while plugged into the outlet. If the TEST button does not trip or if the RESET button will not stay engaged, discontinue use of the air conditioner and contact a qualified service technician.



Left accordion panel

Right accordion panel

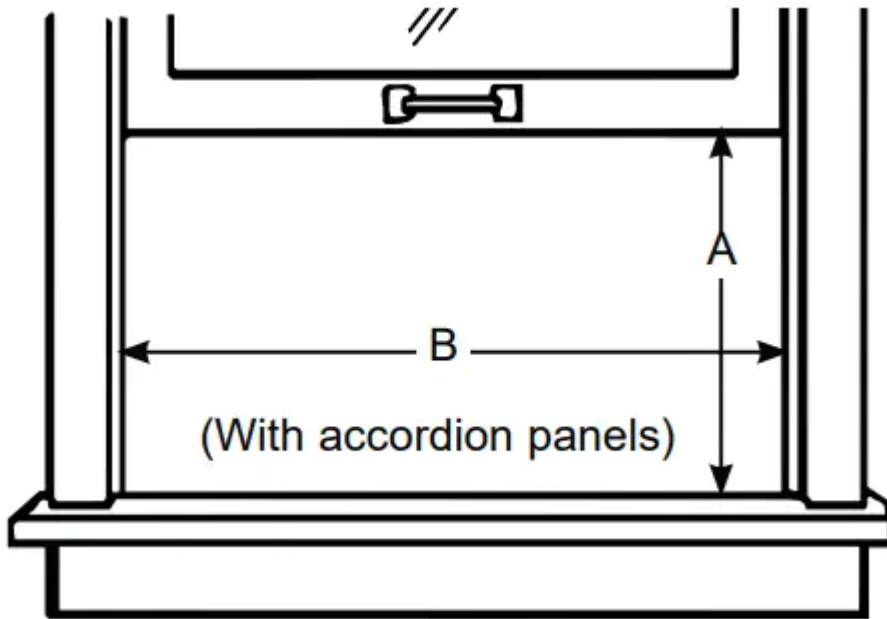


Air conditioner

## 1.WINDOW REQUIREMENTS

- These instructions are for a standard double-hung window. You will need to modify them for other types of windows.
- The air conditioner can be installed without the accordion panels if needed to fit in a narrow window. See the window opening dimensions.
- All supporting parts must be secured to firm wood, masonry or metal.

- The electrical outlet must be within reach of the power cord.



Model	A	B
AEW08	13 - ½" min	22-½" - 38"
AEW10, AEW12	15 - ½" min	22" - 36"

## 2. STORM WINDOW REQUIREMENTS

A storm window frame will not allow the air conditioner to tilt toward the outside, and will keep it from draining properly. To adjust for this, attach a piece of wood to the sill.

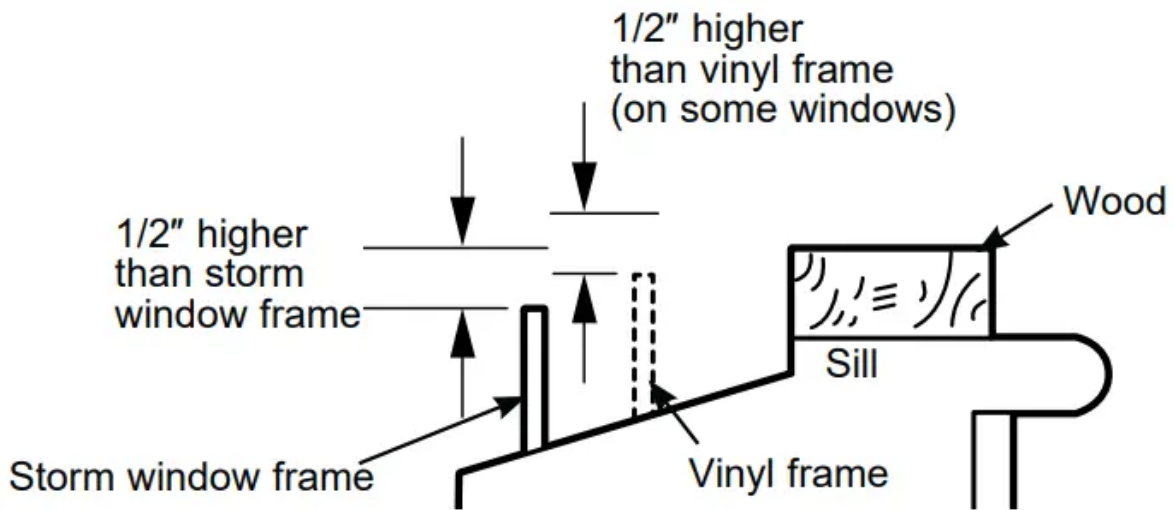
### WOOD PIECES

WIDTH: 2"

LENGTH: Long enough to fit inside the window frame.

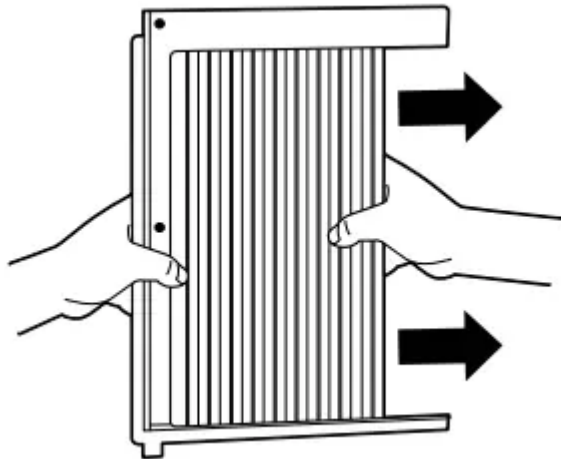
THICKNESS: To determine the thickness, place a piece of wood on the sill to make it 1/2 " higher than the top of the storm window frame or the vinyl frame.

Attach securely with nails or screws provided by the installer.



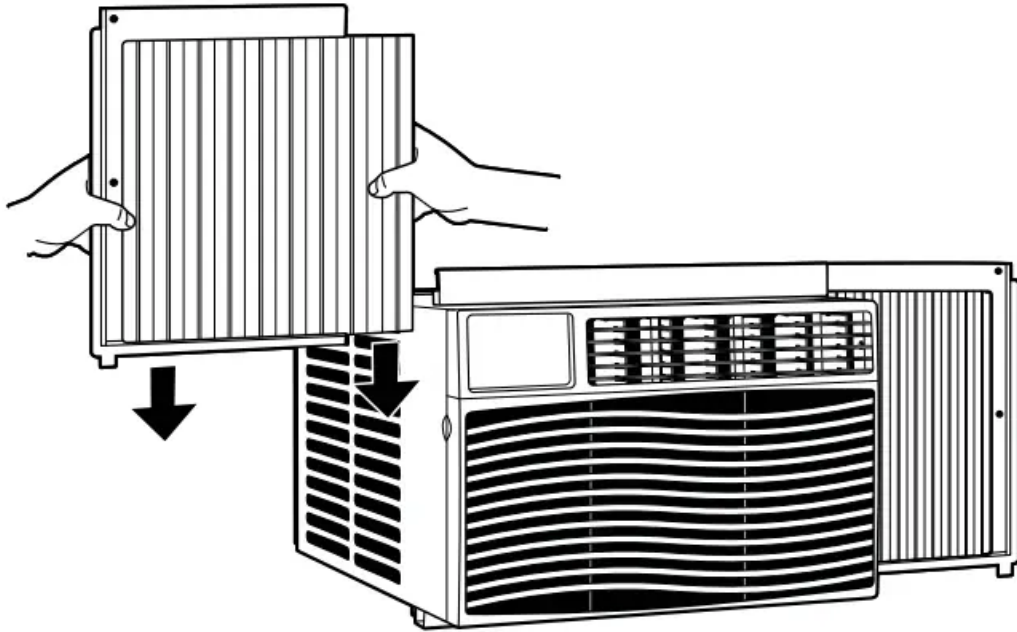
### 3. PREPARE THE AIR CONDITIONER

A. Hold the accordion panel in one hand and gently pull back to free the open end.

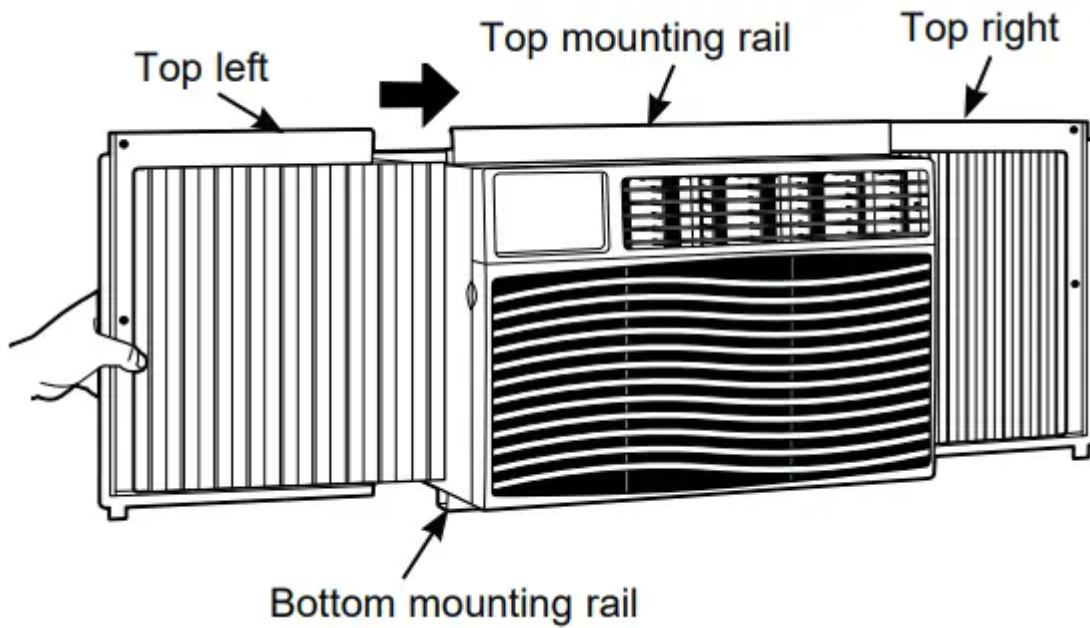


B. Slide the free end of the accordion panel into the side panel rails. Slide the panel down. Be sure to leave enough space to slip the top and bottom of the frame into the rails on the cabinet. NOTE: There is a right and a left accordion panel. Be sure to use the proper

panel for each side

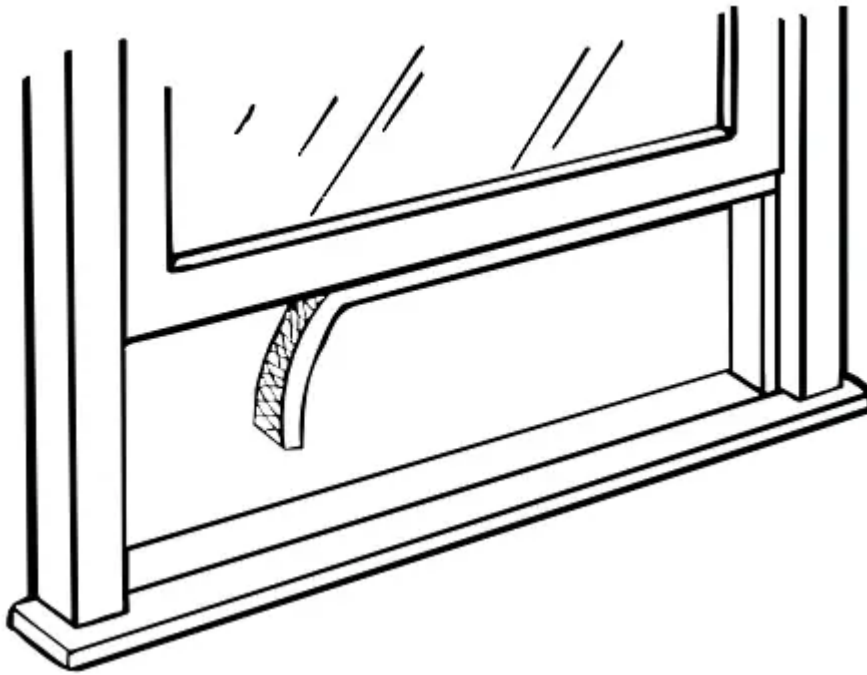


C. Slide the left and right accordion panels into the top and bottom mounting rails



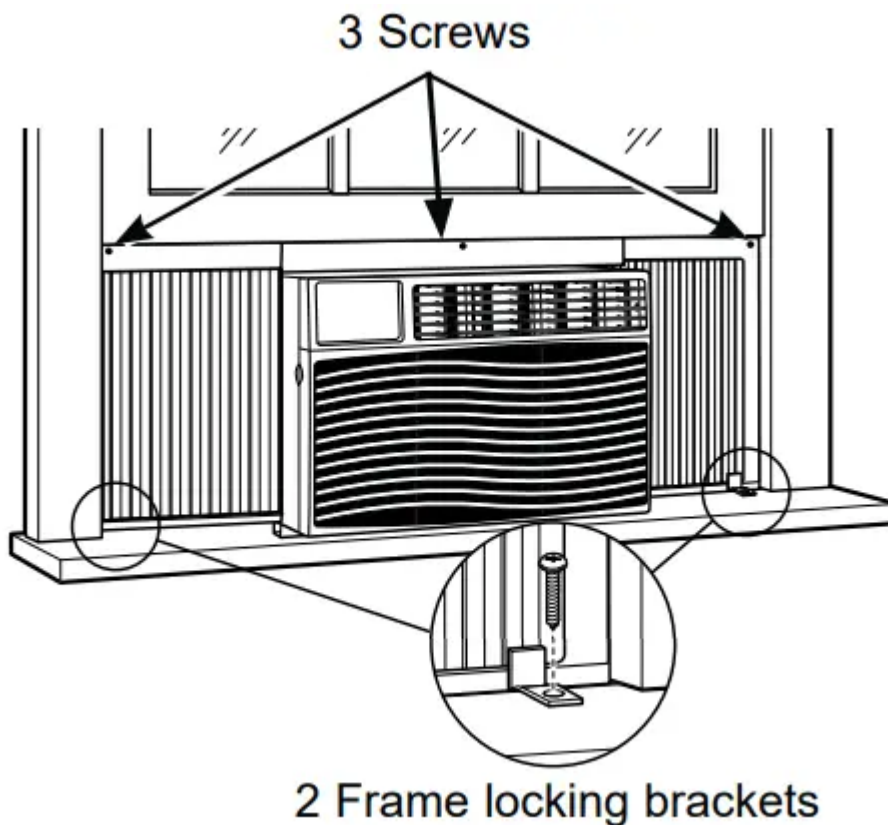
#### 4. PREPARE THE WINDOW

Cut the window sash seal to the proper length. Peel off the backing and attach the seal to the underside of the window sash.



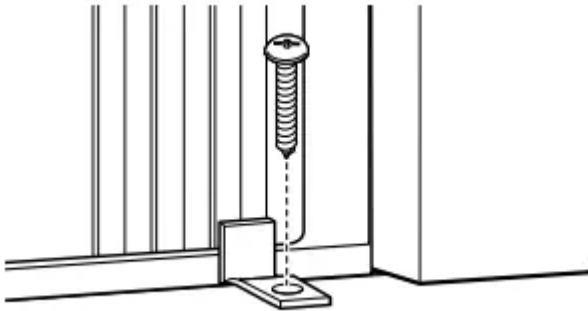
## 5. INSTALL THE AIR CONDITIONER IN THE WINDOW

- A. Place the air conditioner on the sill with the bottom mounting rail against its back edge. Center it and close the window securely behind the top mounting rail. It should be level or slightly tilted to the outside. Use a level: about a  $\frac{1}{3}$  bubble will be the correct case slant to the outside.



B. Extend the left and right accordion panels to the vertical window sashes and attach, through the holes in the panels, with 3 Type B screws, as appropriate.

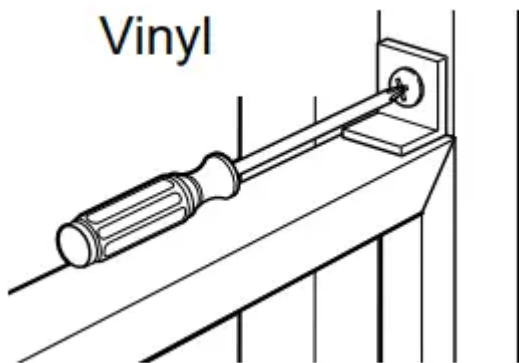
C. Install the frame locking brackets between the bottom of the accordion panel and the window sill. Attach with 2 screws. NOTE: To prevent the window sill from splitting, drive the pilot holes before driving the screws.



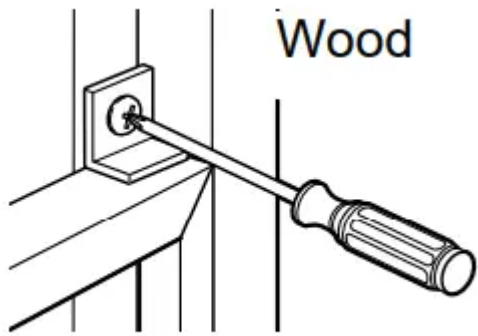
## 6. INSTALL SUPPORT BRACKET AND FOAM TOP WINDOW GASKET



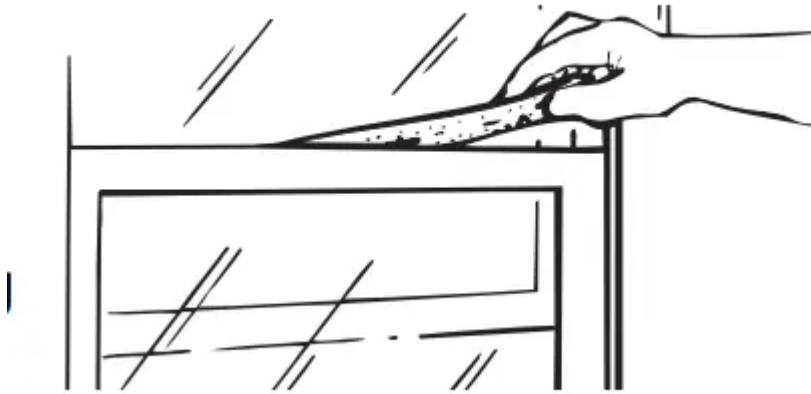
A. To prevent broken glass or damage to windows, on vinyl or other similarly constructed windows, attach the window locking bracket to the window side jamb with one screw.



B. Cut the foam top window gasket to the window width



C. Stuff the foam between the glass and the window to prevent air and insects from getting into the room. NOTE: If the gasket supplied does not fit your window, obtain appropriate material locally to provide a proper installation seal.



# Troubleshooting



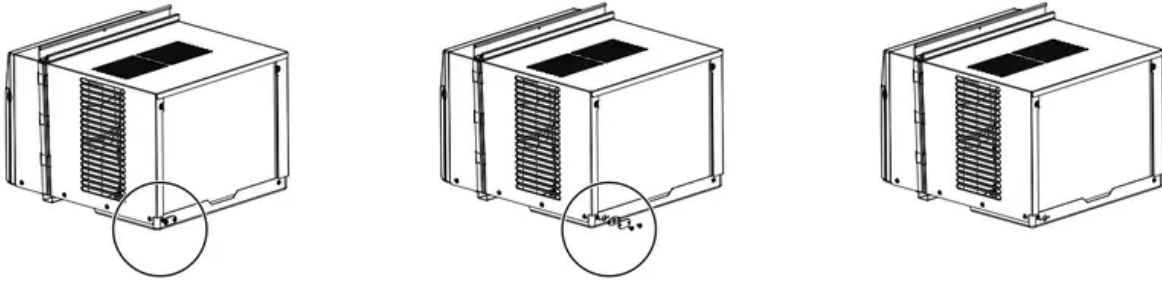
<b>Problem</b>	<b>Possible Causes</b>	<b>What To Do</b>
<b>Air conditioner does not start</b>	The air conditioner is unplugged.	Make sure the air conditioner plug is pushed completely into the outlet.
	The fuse is blown/ circuit breaker is tripped.	Check the house fuse/circuit breaker box and replace the fuse or reset the breaker
	Power failure.	The unit will automatically restart in the settings last used after the power is restored.
		There is a protective time delay (approximately 3 minutes) to prevent tripping of the compressor overload. For this reason, the unit may not start normal cooling for 3 minutes after it is turned back on.
	The current interrupter device is tripped.	Press the RESET button located on the power cord plug.
If the RESET button will not stay engaged, discontinue use of the air conditioner and contact a qualified service technician.		
<b>Air conditioner does not cool as it should</b>	Airflow is restricted	Make sure there are no curtains, blinds or furniture blocking the front of the air conditioner.
	The temp control may not be set correctly.	On models with touch pads: In the Cool mode, press the Decrease – pad.
		On models with control knobs, turn the temperature knob to a higher number
	The air filter is dirty.	Clean the filter at least every 30 days. See the Care and Cleaning section.
The room may have been hot.	When the air conditioner is first turned on, you need to allow time for the room to cool down.	

	Cold air is escaping.	Check for open furnace registers and cold air returns.
	Cooling coils have iced up.	See “Air conditioner freezing up” below.
<b>Air conditioner freezing up</b>	Ice blocks the air flow and stops the air conditioner from cooling the room.	On models with control knobs, set the mode control at High Fan or High Cool with the Temp at 1 or 2.
		On models with touch pads, set the controls at High Fan or High Cool and set the thermostat to a higher temperature.
<b>The remote control is not working</b>	The batteries are inserted incorrectly.	Check the position of the batteries. They should be inserted in the opposite (+) and (-) direction.
	The batteries may be dead.	Replace the batteries.
<b>Water drips outside</b>	Hot, humid weather.	This is normal.
<b>Water drips indoors</b>	The air conditioner is not tilted to the outside.	The air conditioner is not tilted to the outside.
<b>Water collects in base pan</b>	Moisture removed from air and drains into base pan.	This is normal for a short period in areas with little humidity; normal for a longer period in very humid areas.

## Normal Operating Sounds

- You may hear a pinging noise caused by water being picked up and thrown against the condenser on rainy days or when the humidity is high. This design feature helps remove moisture and improve efficiency.
- You may hear the thermostat click when the compressor cycles on and off
- Water will collect in the base pan during high humidity or on rainy days. The water may overflow and drip from the outdoor side of the unit
- The fan may run even when the compressor does not
- Water droplets being thrown against the outside coils can make a pinging noise. This helps cool the condenser. You can reduce this noise by removing the back-base water

hole seal by removing 2 screws, then hole seal. Removing this seal will lower the Energy Efficiency of your unit. NOTE: Do not drill hole in the base pan.



### Warning

This content is compiled from multiple sources and is provided for reference purposes only. It may not be complete or fully applicable to all situations. If you are unable to resolve your issue, please contact the product manufacturer or an authorized service provider for official support.