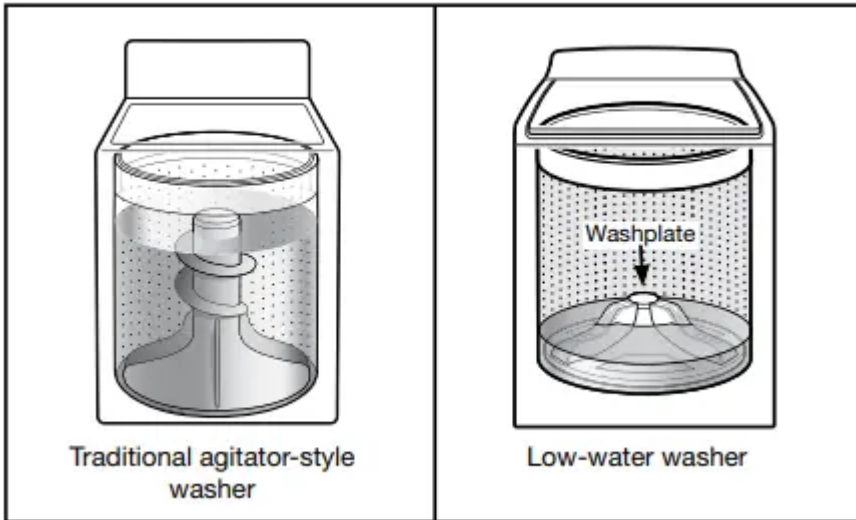
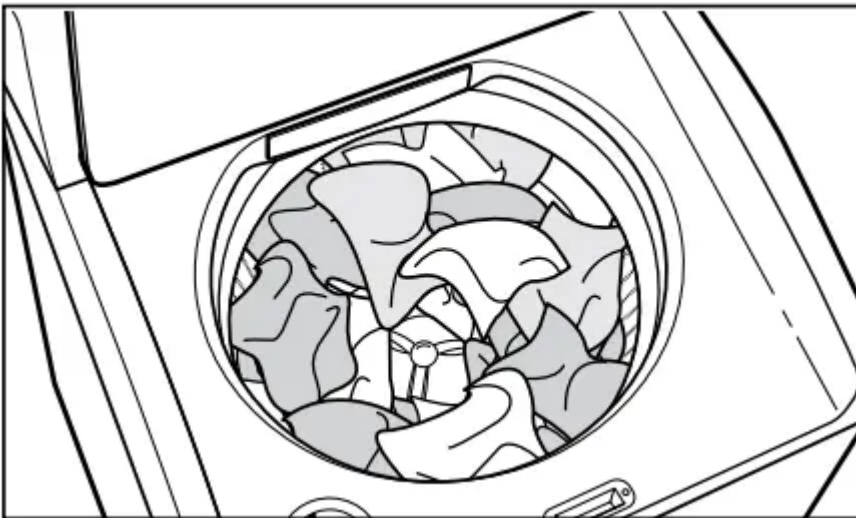


What's New Under the Lid?

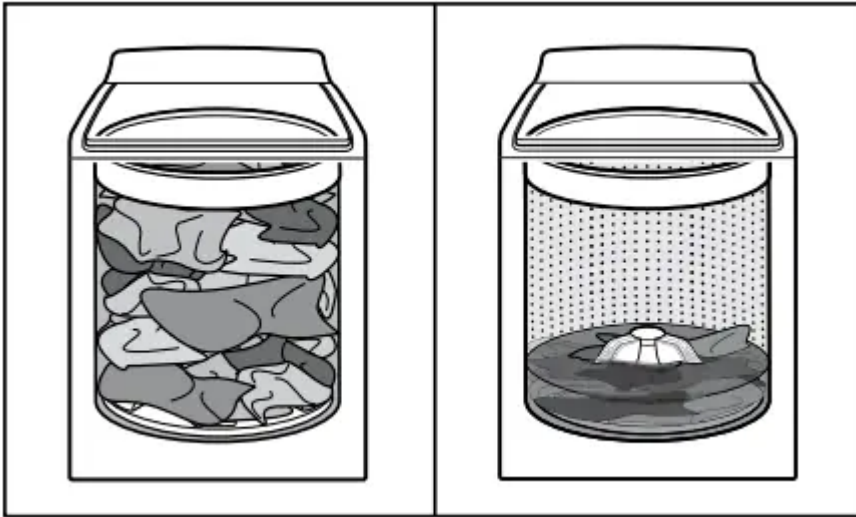
Cleaning with Less Water



The most striking difference in your new washer is the low-water washplate wash system. The washer automatically adjusts the water level to the load size—no water level selector is needed.



For best performance, it is recommended to load items in loose heaps evenly around the washplate.



As the washer dampens and moves the load, the level of the items will settle in the basket. This is normal and does not indicate that more items should be added.

IMPORTANT: You will not see a washer basket full of water as with your past agitator-style washer. It is normal for some of the load to be above the water line.

Automatic Load Size Sensing

- Once you start the cycle, the lid will lock and the washer will begin the sensing process to determine the correct water level for the load.
- Initially the basket will start to spin prior to adding water; this is part of the sensing process and is normal. This low-water wash method uses less water and energy compared to a traditional agitator-style washer.

Choosing the Right Detergent

Use only High Efficiency detergents. The package will be marked “HE” or “High Efficiency.” Low-water washing creates excessive sudsing with a non-HE detergent. Using non-HE detergent will likely result in longer cycle times and reduced rinsing performance. It may also result in component malfunction and, over time, buildup of mold or mildew. HE detergents should be low-sudsing and quick-dispersing to produce the right amount of suds for the best performance. They should hold soil in suspension so it is not redeposited onto clean clothes. Not all detergents labeled as High Efficiency are identical in formulation and their ability to reduce suds. For example, natural, organic, or homemade HE detergents may generate a high level of suds. If you use one of these and see an “F0E2” error code appear in the display, consider using a different HE detergent. Always follow the detergent manufacturer’s instructions to determine the amount of detergent to use. Do not go over the Max line on the dispenser. See “Using Laundry Product Dispensers” for more information.



Use only High Efficiency (HE) detergent.

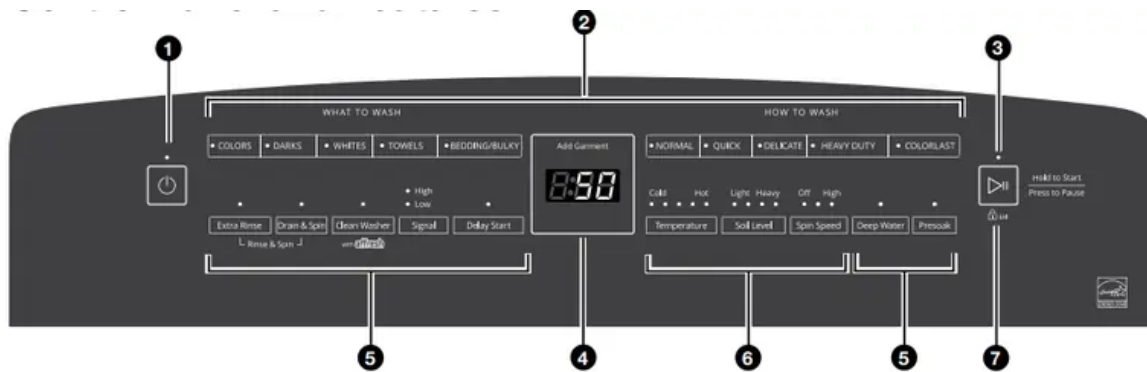
Improved Cleaning

- Low-water cleaning means concentrated cleaning. Rather than diluting detergent as done in an agitator-style washer, this washer delivers the detergent directly to the soils. This low water wash also allows the clothing to move in a more effective way to remove soils.

Normal Sounds You Can Expect

- At different stages of the wash cycle, you may hear sounds and noises that are different from those of your previous washer. For example, you may hear a clicking and hum at the beginning of the cycle as the lid lock goes through a self-test. There will be different kinds of humming and whirring sounds as the washplate moves the load and as the basket is slowing down to stop. And sometimes, you may hear nothing at all as the washer determines the correct water level for your load or allows time for clothes to soak.

Control Panel and Features



NOTE: The control panel features a sensitive surface that responds to a light touch of your finger. To ensure your selections are registered, touch the control panel with your finger tip, not your fingernail. When selecting a setting or option, simply touch its name until the desired section is illuminated.

1. POWER BUTTON

- Touch to turn the washer on. Touching once while the washer is on will cancel the current cycle, touching twice will turn the washer off.



2. WHAT TO WASH/HOW TO WASH

- First select a cycle from “What to Wash” and then select “How to Wash” to get the best combination cycle available for the type of items you are going to wash. See “Cycle Guide” for cycle details.

3. START/PAUSE BUTTON

- Touch and hold the START/PAUSE button to begin the selected cycle; touch again to pause a cycle.

4. LED TIME/STATUS DISPLAY

- The Estimated Time Remaining display shows the time required for the cycle to complete. Factors such as load size and water pressure may affect the time shown in the display. Tightly packed loads, unbalanced loads, or excessive suds may cause the washer to adjust the cycle time, as well. If you have set a delay start to the cycle, the Estimated Time Remaining display will show the delay time adjusted. When the cycle is complete, the Done indicator will light until the lid is opened.

ADD GARMENT

- When Add Garment is lit, you may pause the washer, open the lid, and add items. Touch and hold the START/PAUSE button to start the washer again.

5. OPTIONS

You may add or remove options for each cycle. Not all options can be used with all cycles, and some are preset to work with certain cycles.

- **EXTRA RINSE** :This option can be used to automatically add a second rinse to most cycles.
- **DRAIN & SPIN**: This option spins the load and drains any water in the tub. The load is not rinsed.
- **RINSE & SPIN**: Touch the DRAIN & SPIN button, then touch the EXTRA RINSE button. This option combines a rinse and high spin speed for loads requiring an additional rinse cycle or to complete a load after power interruption. Also use for loads that require rinsing only
- **CLEAN WASHER**: Use this every 30 washes to keep the inside of your washer fresh and clean. This cycle uses a higher water level. Use with affresh® Washer Cleaner tablet or liquid chlorine bleach to thoroughly clean the inside of your washer. This cycle should not be interrupted. See “Washer Care.”

IMPORTANT: Do not place garments or other items in the washer during the Clean Washer cycle. Use this cycle with an empty washer tub.

- **SIGNAL**: Use this to turn the signal indicating the end of a wash cycle to low, high, or off.

NOTE: You may also adjust the tones that sound when a feature, setting, or option is touched. Touch and hold SIGNAL for about 3 seconds to turn key activation sounds to low, high, or off.

- DELAY START : Touch DELAY START to delay the start of the wash cycle up to 12 hours "12H." Touch DELAY START until a "OH" appears in the status display to turn off, or touch the POWER button.
- DEEP WATER: Use this option to add the maximum amount of water to your wash cycle.

NOTE: Expect longer cycle times due to extended fill times when using the Deep Water option.

- PRESOAK: Use this option to add an extra soak period to any cycle to help loosen tough stains. The washer will fill and pause to soak, then begin the selected cycle.

6. CYCLE MODIFIERS

- When you select a cycle, its default settings or the previous cycle selection used will light up.'

TEMPERATURE

Temperature Control senses and maintains uniform water temperatures by regulating incoming hot and cold water.

Select a wash temperature based on the type of fabric and soils being washed. For best results and following the garment label instructions, use the warmest wash water safe for your fabric.

- On some models and cycles, warm and hot water will be cooler than what your previous washer provided.
- Even for cold wash settings, some warm water may be added to the washer to maintain a minimum temperature.

SOIL LEVEL

- Soil Level (wash time) is preset for each wash cycle. As you touch Soil Level, the cycle time (minutes) will increase or decrease in the Estimated Time Remaining display and a different wash time will appear.
- Select the most suitable setting for your load. For heavily soiled items, select Heavy Soil Level for more wash time. For lightly soiled items, select Light Soil Level for less wash time. Lighter soil level setting will help reduce tangling and wrinkling.

SPIN SPEED

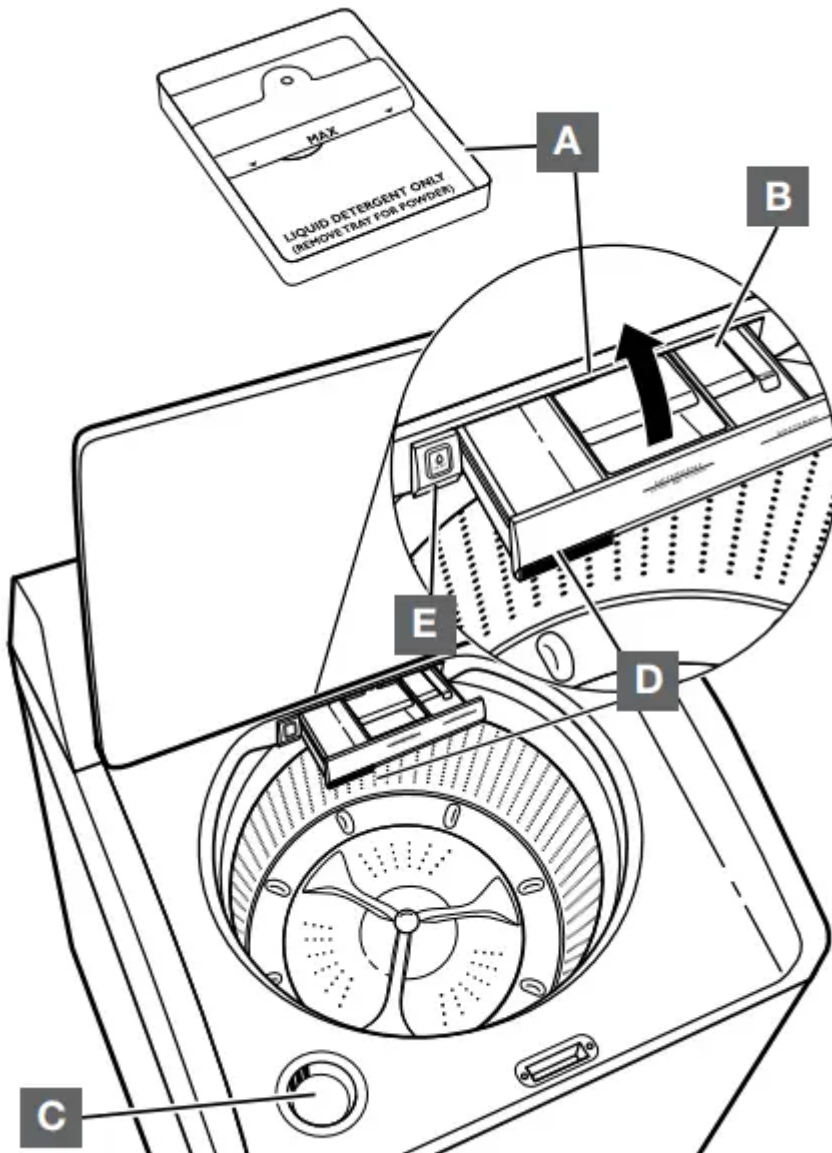
This washer automatically selects the spin speed based on the cycle selected. The preset speeds can be changed. Not all spin speeds are available with all cycles.

- Faster spin speeds mean shorter dry times, but may increase wrinkling in your load.
- Slower spin speeds mean less wrinkling, but will leave your load more damp.

7. LID

- The Lid Lock indicator lights up when the lid is locked and cannot be opened. If you need to open the lid, touch and hold the START/PAUSE button. The lid will unlock once the washer movement has stopped. This may take several minutes if the load was spinning at high speed. Touch and hold the START/PAUSE button again to restart the cycle.

Dispensers and faucet



A. High Efficiency “HE” detergent dispenser: Add liquid or powdered HE detergent product to this dispenser for your main wash cycle. Remove tray if using powder detergent.

IMPORTANT: Make sure tray is in drawer when using liquid detergent and removed when using powder detergent. Do not go over the Max line.



Use only High Efficiency (HE) detergent.

B. Liquid fabric softener dispenser: Pour measured liquid fabric softener into the liquid fabric softener dispenser, if desired. It will dispense automatically at the optimum time.

- Use only liquid fabric softener in this dispenser.

C. Liquid chlorine bleach dispenser : This dispenser holds up to 3/4 cup (180 mL) liquid chlorine bleach. The bleach will be automatically diluted and dispensed at the optimum time during the wash cycle. This dispenser cannot dilute powdered bleach.

NOTE: Fill dispenser with only liquid bleach.

D. Water faucet : The water faucet dispenses fresh water that can be used for pretreating clothes, rinsing your detergent cup, or filling your washer tub.

E. Faucet button: Press once to toggle on and press again to toggle off. You do not need to hold the button. NOTE: If accidentally left on for more than 10 minutes, the faucet will automatically shut off.

Cycle Guide

Your Whirlpool® washer has a unique user interface to help you select the best cycle you need for your load. The “What to Wash” “How to Wash” layout guides you to the optimal cycle in two easy steps: First determine what items are in the load that you are trying to wash. Use that to guide your “What to Wash” selection. Then determine how you want the washer to wash them and select the appropriate “How to Wash” selection. See chart below for more details.

For best fabric care, choose the cycle that best fits the load being washed.

P – Preferred Cycle Selection

R – Recommended Alternate

A – Available but not optimal

		How do you want to wash?				
		"How to Wash" Cycle Selection				
		Normal • Regular Wash	Quick • Saves Time	Delicate • Gentle Cleaning • Protects My Fabrics	Heavy Duty • Powerful Soil Removal	ColorLast • Gentle Cleaning • Protects My Colors
What do you want to wash?	"What to Wash" Cycle Selection					
Cottons/Linens	Colors	P	A	A	A	A
Bright Colors		R	R	R	R	P
Handwash Fabrics		R	R	P	A	R
Bras		R	R	P	A	R
Lingerie		R	R	P	A	R
Baby Clothes		R	R	R	P	R
Machine Wash Silks		R	R	P	A	R
Wool		R	R	P	R	R
Dark Colors	Darks	P	R	A	R	R
Athletic/High Performance Wear		R	R	A	P	A
T-Shirts		P	R	R	R	R
Sweatshirts		P	R	R	R	R
Jeans		P	R	R	R	R
Pajamas		P	R	R	R	R
Business Casual		R	R	R	R	P
Dress Shirts/Pants		R	R	R	A	P
No-Iron Fabrics		R	R	R	R	P
Dark Sheets		P	R	A	R	R
White Clothing	Whites	P	R	R	R	NA
White Shirts		P	R	R	R	
White T-Shirts		P	R	R	R	
Socks		R	R	R	P	
Undergarments		R	R	R	P	
Handkerchiefs		R	R	P	R	
Napkins		R	R	P	R	
White Sheets		P	R	A	R	
Tablecloths		P	R	R	R	
Towels	Towels	P	R	R	R	R
Terry Cloth		P	R	R	R	R
Hand Towels		P	R	R	R	R
Wash Cloths		P	R	R	R	R
Bath Towels		P	R	R	R	R
Blankets	Bedding/Bulky	P	A	R	R	R
Coats & Jackets		P	A	R	R	R
Comforters		P	A	R	R	R
Machine Wash Curtains		R	R	P	A	R
Machine Wash Slip Covers		P	R	R	A	R
Non-Rubber Lined Rugs & Mats		P	A	R	R	R
Sleeping Bags		P	A	R	A	R

Using Your Washer

Using Your Washer's Faucet Before Washing



⚠ WARNING



Fire Hazard

- Never place items in the washer that are dampened with gasoline or other flammable fluids.
- No washer can completely remove oil.
- Do not dry anything that has ever had any type of oil on it (including cooking oils)
- Doing so can result in death, explosion, or fire

⚠ WARNING



Electrical Shock Hazard

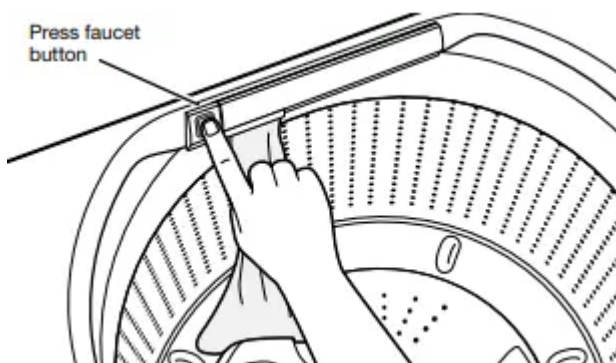
- Plug into a grounded 3 prong outlet.
- Do not remove ground prong.
- Do not use an adapter.
- Do not use an extension cord.
- Failure to follow these instructions can result in death, fire, or electrical shock.



Rinsing Before Running a Wash Cycle

IMPORTANT: Before rinsing, make sure to sort, prepare, and load laundry as discussed in “Running a Wash Cycle.”

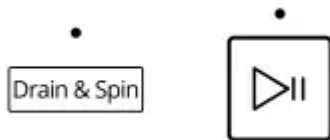
1. Turn on faucet



- Press the faucet button once. You do not need to hold the button.
- Turn off the faucet by pressing the button again

- If accidentally left on, the faucet will automatically shut off.
- Water from the tub will automatically drain if the level becomes too high. The water will also drain after 10 minutes if the lid is left open.

2. Drain water manually, if desired



- If you choose to drain water in the tub: with the washer turned on, select DRAIN & SPIN and touch and hold the START/ PAUSE button.
- Water in the tub will always be drained before you start a wash cycle.

3. Rinse and drain water, if desired

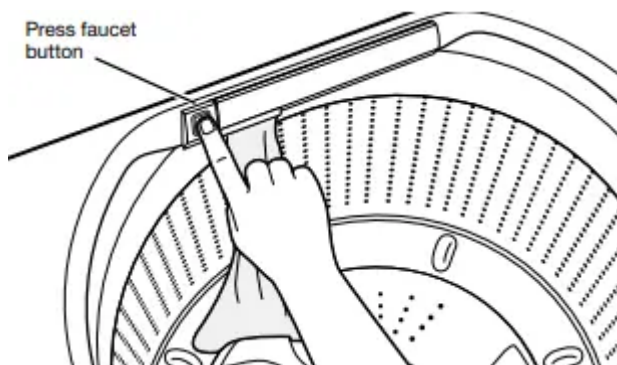


- If you choose to rinse the laundry and then drain: with the washer turned on, select RINSE & SPIN and touch and hold the START/PAUSE button.
- Water in the tub will always be drained before you start a wash cycle.



Presoaking Without Running a Wash Cycle

1. Turn on faucet



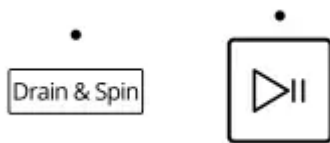
- Press the faucet button once. You do not need to hold the button.

TIP: You may want to add any detergent, color-safe bleach, or oxi-type boosters while the faucet is running to mix it with the water. (See Step 2 in the next column.)

- Turn off the faucet by pressing the button again.
- If accidentally left on, the faucet will automatically shut off.

IMPORTANT: To stop the tub from draining automatically in 10 minutes, you must close the lid. The water will remain in the tub as long as the lid is closed and you take no action. After 3 hours, the water will automatically be drained.

2. Drain water manually, if desired



- If you choose to drain water in the tub: with the washer turned on, select DRAIN & SPIN and touch and hold the START/PAUSE button.

NOTE: If you run a wash cycle, water in the tub will always be drained before you start the cycle.

3. Rinse and drain water, if desired



- If you choose to rinse the laundry: with the washer turned on, select RINSE & SPIN and touch and hold the START/PAUSE button. The washer will drain, spin, rinse the load, and spin again.

NOTE: If you run a wash cycle, water in the tub will always be drained before you start the cycle.

Running a Wash Cycle

1. Sort and prepare your laundry



- Empty pockets. Loose change, buttons, or any small object can pass under the washplate and become trapped, causing unexpected sounds.
- Sort items by recommended cycle, water temperature, and colorfastness.
- Separate heavily soiled items from lightly soiled.
- Separate delicate items from sturdy fabrics.
- Do not dry items if stains remain after washing, as heat can set stains into fabric.
- Treat stains promptly.

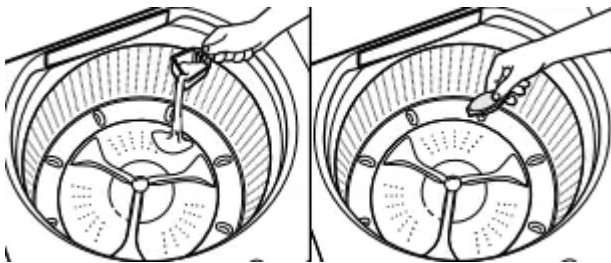
- Close zippers, fasten hooks, tie strings and sashes. Remove non-washable trim and ornaments.
- Mend rips and tears to avoid further damage to items during washing.

Helpful Tips:

- For best performance, use HE liquid detergent when washing bulky items.
- When washing waterproof or water-resistant items, load evenly.
- Use mesh bags to help avoid tangling when washing delicate or small items.
- Turn knits inside out to avoid pilling. Separate lint-takers from lint-givers. Synthetics, knits, and corduroy fabrics will pick up lint from towels, rugs, and chenille fabrics.

NOTE: Always read and follow fabric care labels instructions to avoid damage to your items.

2. Add laundry products



- Single-dose laundry packet, color-safe bleach, Oxi-type boosters, or fabric softener crystals can be added to the basket prior to adding laundry.

NOTE: Always follow manufacturer's instructions.

3. Load laundry into washer



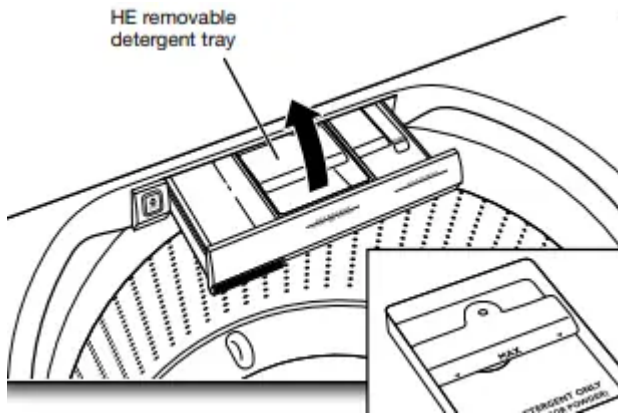
- For best performance, load items in loose heaps evenly around the washplate. Try mixing different sized items to reduce tangling.

IMPORTANT: Items need to move freely for best cleaning and to reduce wrinkling and tangling.

Using Laundry Product Dispensers

NOTE: Do not add single-dose laundry packets, color-safe bleach, Oxi-type boosters, or fabric softener crystals to dispensers. They will not dispense correctly. Add to the basket prior to adding laundry

4. Add HE detergent



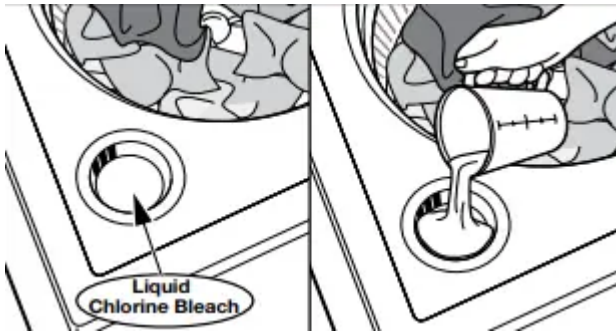
- Add a measured amount of HE detergent into detergent tray. This tray holds 3 oz. (89 mL). If adding powder HE detergent, remove the inside tray. Do not overfill the tray; adding too much detergent may cause detergent to be dispensed into the washer too early.

NOTE: Make sure the tray is in the drawer when using liquid detergent and removed when using powder detergent. Do not go over the Max line.

IMPORTANT: Use only High Efficiency detergents. The package will be marked "HE" or "High Efficiency." Low-water washing creates excessive sudsing with a non-HE detergent. Using non-HE detergent will likely result in longer cycle times and reduced rinsing performance. It may also result in component malfunction and, over time, buildup of mold or mildew. HE detergents should be low-sudsing and quick-dispersing to produce the right amount of suds for the best performance. They should hold soil in suspension so it is not redeposited onto clean clothes. Not all detergents labeled as High Efficiency are identical in formulation and their ability to reduce suds. For example, natural, organic, or homemade HE detergents may generate a high level of suds. If you use one of these and see an "F0E2" error code appear in the display, consider using a different HE detergent. Always follow the detergent manufacturer's instructions to determine the amount of detergent to use. Do not go over the Max line on the dispenser.

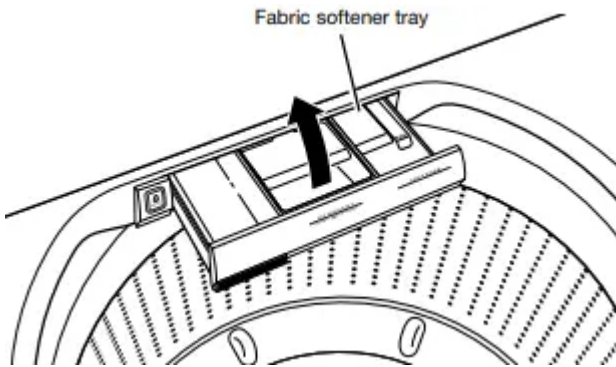
HELPFUL TIP: See "Washer Maintenance" for information on recommended method of cleaning washer dispenser trays.

5. Add liquid chlorine bleach to dispenser



- Do not overfill, dilute, or use more than 1 cup (236 mL). Do not use color-safe bleach or Oxi products in the same cycle with liquid chlorine bleach.

6. Add liquid fabric softener



- Pour a measured amount of liquid fabric softener into tray; always follow manufacturer's directions for correct amount of fabric softener based on your load size. Close dispenser drawer. Fabric Softener is added during rinse.

IMPORTANT: Do not overfill or dilute. Overfilling the dispenser will cause fabric softener to immediately dispense into the washer

- If Extra Rinse option is selected, fabric softener will be dispensed into the last rinse.
- It is normal for a small amount of water to remain in the dispenser at the end of a cycle.

7. Touch POWER button to turn on washer



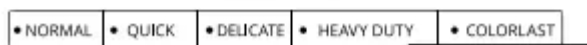
- Make sure the dispenser drawer is closed completely, then touch the POWER button to turn on the washer.

8. Select type of load to wash

WHAT TO WASH



HOW TO WASH



First touch a cycle from the “What to Wash,” and then select the “How to Wash” to get the best combination cycle available for the type of items you are going to wash. See “Cycle Guide” for cycle details. Not all cycles are available on all models. Estimated Time Remaining will light up with a cycle time. You may notice time adjusting during the cycle. This is normal. If you do not want to begin a cycle immediately, you may choose the Delay Start option.

To choose a delay time:

1. Touch the DELAY START button to select desired delay time. Time will increase in hour increments up to 12 hours.
2. Touch and hold the START/PAUSE button to start delay start time.

IMPORTANT: When delaying a cycle, use liquid HE detergent only in the dispenser. Powdered detergents may absorb moisture from a previous cycle and clump before the wash cycle begins.

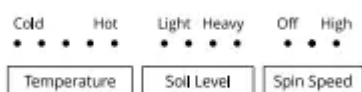
To cancel delay start:

1. Touch the POWER button to cancel Delay Start.

To pause delay start:

1. Touch the START/PAUSE button to pause delay start
2. Touch and hold the START/PAUSE button again to start the delay start time. If the delay start time is not started after 10 minutes, the washer will power off.

9. Select cycle modifiers



- Once you select a cycle, the default modifiers or the previously set modifiers for that cycle will be lit. Touch the cycle settings buttons to change the Soil Level, Spin Speed, and Temperature, if desired. Not all settings are available with all cycles.

NOTE: Always read and follow fabric care labels instructions to avoid damage to your items.

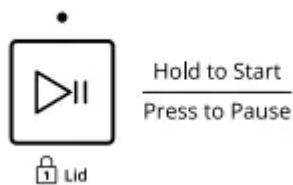
10. Select cycle options



- Select any other cycle options you may wish to add, if not previously set. Some cycles will automatically add certain options such as Extra Rinse. These may be turned off if desired.

NOTE: Not all options are available with all cycles. Touch the control panel to select any other options

11. Touch and hold START/PAUSE button to begin wash cycle



- Touch and hold the START/PAUSE button to start the wash cycle. When the cycle has finished, the end-of-cycle signal will sound (if set). Promptly remove items when cycle is done to avoid odor, reduce wrinkling, and reduce rusting of metal hooks, zippers, and snaps.

Unlocking the lid to add items

- If you need to open the lid to add one or two missed items:
- Touch the START/PAUSE button to pause the washer; the lid will unlock once the washer movement has stopped. This may take several minutes if the load was spinning at a high speed. Then close lid and touch and hold the START/ PAUSE button again to restart the cycle.

IMPORTANT: If the lid is left open for more than 10 minutes, the water will pump out and the F8E6 error code will appear on the display.

Washer Maintenance

WATER INLET HOSES

- Replace inlet hoses after 5 years of use to reduce the risk of hose failure. Periodically inspect and replace inlet hoses if bulges, kinks, cuts, wear, or leaks are found.
- When replacing your inlet hoses, mark the date of replacement on the label with a permanent marker.

NOTE: This washer does not include inlet hoses. See the Installation Instructions for more information.

WASHER CARE

Recommendations to Help Keep Your Washer Clean and Performing at Its Best

1. Always use High Efficiency (HE) detergents and follow the HE detergent manufacturer's instructions regarding the amount of HE detergent to use. Never use more than the recommended amount because that may increase the rate at which detergent and soil residue accumulate inside your washer, which may result in undesirable odor.
2. Use warm and hot wash water settings sometimes (not exclusively cold water washes), because they do a better job of controlling the rate at which soils and detergent accumulate.
3. Always leave the washer lid open between uses to help dry out the washer and prevent the buildup of odor-causing residue.

Cleaning Your Top-Loading Washer

Read these instructions completely before beginning the routine cleaning processes recommended below. This Washer Maintenance Procedure should be performed, at a minimum, once per month or every 30 wash cycles, whichever occurs sooner, to control the rate at which soils and detergent may otherwise accumulate in your washer.

Cleaning the Inside of the Washer

To keep your washer odor-free, follow the usage instructions provided above, and use this recommended monthly cleaning procedure:

Clean Washer Cycle

This washer has a special cycle that uses higher water volumes in combination with affresh® Washer Cleaner or liquid chlorine bleach to clean the inside of the washer.

Begin procedure

1. affresh® Washer Cleaner Cycle Procedure (Recommended for Best Performance):
 - Open the washer lid and remove any clothing or items.
 - Place an affresh® Washer Cleaner tablet in the bottom of the washer basket.
 - Do not place an affresh® Washer Cleaner tablet in the detergent dispenser.
 - Do not add any detergent or other chemical to the washer when following this procedure.
 - Close the washer lid. f. Select the Clean Washer cycle.
 - Touch and hold the START/PAUSE button to begin the cycle. The Clean Washer Cycle Operation is described in the next column.

NOTE: For best results, do not interrupt cycle. If cycle must be interrupted, touch the POWER button. After the Clean Washer cycle has stopped, run a Rinse & Spin cycle to rinse cleaner from washer.

2. Chlorine Bleach Procedure (Alternative):

- Open the washer lid and remove any clothing or items
- Add 1 cup (236 mL) of liquid chlorine bleach to the bleach compartment.

NOTE: Use of more liquid chlorine bleach than is recommended above could cause washer damage over time.

- Close the washer lid.
- Do not add any detergent or other chemical to the washer when following this procedure.
- Select the Clean Washer cycle
- Touch and hold the START/PAUSE button to begin the cycle. The Clean Washer Cycle Operation is described below.

NOTE: For best results, do not interrupt cycle. If cycle must be interrupted, touch the POWER button. After the Clean Washer cycle has stopped, run a Rinse & Spin cycle to rinse cleaner from washer.

Description of Clean Washer Cycle Operation:

1. This cycle will fill to a water level higher than in normal wash cycles to provide rinsing at a level above the water line for normal wash cycle.
2. During this cycle, there will be some agitation and spinning to increase the removal of soils. After this cycle is complete, leave the lid open to allow for better ventilation and drying of the washer interior.

Cleaning the Outside of the Washer

- Use a soft, damp cloth or sponge to wipe away any spills. Use only mild soaps or cleaners when cleaning external washer surfaces.

IMPORTANT: To avoid damaging the washer's finish, do not use abrasive products.

NON-USE AND VACATION CARE

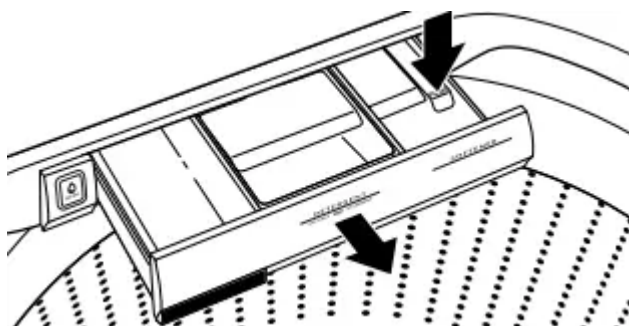
Operate your washer only when you are home. If you are moving or not using your washer for a period of time, follow these steps:

1. Unplug or disconnect power to washer.
2. Turn off water supply to washer to avoid flooding due to water pressure surge.

CLEANING YOUR DISPENSER

You may find laundry product residue leftover in your dispenser drawer. To remove residue, follow this recommended cleaning procedure:

1. Pull drawer out until you feel resistance.
2. Push one tab downward, then continue pulling out.
3. Wash in warm, soapy water, using a mild detergent.
4. Rinse with warm water
5. Air dry or dry with a towel, then place back into slot.



IMPORTANT: Dispenser drawer and tray are not dishwasher-safe.

WINTER STORAGE CARE

IMPORTANT: To avoid damage, install and store washer where it will not freeze. Because some water may stay in hoses, freezing can damage washer. If storing or moving during freezing weather, winterize your washer.

To winterize washer:

1. Shut off both water faucets; disconnect and drain water inlet hoses.
2. Put 1 qt. (1 L) of R.V.-type antifreeze in the basket and run the washer on the Rinse & Spin cycle for about 30 seconds to mix antifreeze and remaining water.
3. Unplug washer or disconnect power.

TRANSPORTING YOUR WASHER

1. Shut off both water faucets. Disconnect and drain water inlet hoses.
2. If washer will be moved during freezing weather, follow “Winter Storage Care” directions before moving.
3. Disconnect drain from drain system.
4. Unplug power cord.
5. Place inlet hoses inside washer basket.
6. Drape power cord and drain hose over the console and secure with masking tape.
7. Place foam packing ring from original shipping materials back inside washer. If you do not have packing ring, place heavy blankets or towels into basket opening. Close lid and

place tape over lid and down front of washer. Keep lid taped until washer is placed in new location. Transport washer in the upright position.



- Plug into a grounded 3 prong outlet.
- Do not remove ground prong.
- Do not use an adapter.
- Do not use an extension cord.
- Failure to follow these instructions can result in death, fire, or electrical shock.

REINSTALLING/USING WASHER AGAIN

To reinstall washer after non-use, vacation, winter storage, or moving:

1. Refer to Installation Instructions to locate, level, and connect washer
2. Before using again, run washer through the following recommended procedure:

To use washer again:

1. Flush water pipes and hoses. Reconnect water inlet hoses. Turn on both water faucets.
2. Plug in washer or reconnect power.
3. Run washer through Bedding/Bulky and Heavy Duty cycle to clean washer and remove antifreeze, if used. Use only HE High Efficiency detergent. Use half the manufacturer's recommended amount for a mediumsize load.

Troubleshooting

Vibration or Off-Balance

Vibration, rocking, or "walking"

- Feet may not be in contact with the floor and locked.
 - Front and rear feet must be in firm contact with floor, and washer must be level to operate properly.
- Washer may not be level.
 - Check floor for flexing or sagging. If flooring is uneven, a 3/4" (19 mm) piece of plywood under your washer will reduce sound.
 - See "Level the Washer" in the Installation Instructions.

Vibration during spinning or washer stopped

- Load could be unbalanced.
 - Load items in loose heaps evenly around the washplate. Adding wet items to washer or adding more water to basket could unbalance washer.
 - Avoid washing single items. Balance a single item such as a rug or jean jacket with a few extra items. If the dial is flashing, redistribute the load, close the lid, and touch and hold the START/PAUSE button
 - Use Bedding/Bulky and Heavy Duty cycle for oversized, non-absorbent items such as comforters or poly-filled jackets. Other items are not appropriate for Bedding/Bulky Heavy Duty cycle. See “Cycle Guide.”
 - Item or load not suitable for selected cycle. See “Cycle Guide” and “Using Your Washer.”

Noises

Clicking or metallic noises

- Objects may be caught in washer drain system.
 - Empty pockets before washing. Loose items such as coins could fall between basket and tub or may block pump. It may be necessary to call for service to remove items.
 - It is normal to hear metal items on clothing such as metal snaps, buckles, or zippers touch against the stainless steel basket.

Gurgling or humming

- Washer may be draining water.
 - It is normal to hear the pump making a continuous humming sound with periodic gurgling or surging as final amounts of water are removed during the spin/drain cycles.

Humming

- Load sensing may be occurring.
 - You may hear the hum of the sensing spins after you have started the washer. This is normal.

Whirring

- Basket may be slowing down.
 - You may hear the whirring sound of the basket slowing down. This is normal.

Water Leaks

Check the following for proper installation:

- Washer not level.
 - Water may splash off basket if washer is not level.
- Fill hoses not attached tightly.
 - Tighten fill-hose connection.
- Fill hose washers
 - Make sure all four fill hose flat washers are properly seated.
- Drain hose connection
 - Pull drain hose from washer cabinet and properly secure it to drainpipe or laundry tub.
 - Do not place tape over drain opening
- Check household plumbing for leaks or clogged sink or drain.
 - Water can back up out of a clogged sink or drainpipe. Check all household plumbing for leaks (laundry tubs, drain pipe, water pipes, and faucets.)
- Washer not loaded as recommended.
 - An unbalanced load can cause basket to be out of alignment and cause water to splash off tub. See “Using Your Washer” for loading instructions.

Washer not performing as expected

Not enough water in washer

- Load not completely covered in water.
 - This is normal operation for an HE low-water washer. The load will not be completely underwater. The washer senses load sizes and adds correct amount of water for optimal cleaning. See “What’s New under the Lid.”
 - IMPORTANT: Do not add more water to washer. Adding water lifts the items off the washplate, resulting in less effective cleaning.
 - Run clean washer cycle to optimize the water level and wash performance.

Washer won't run or fill; washer stops working

- Check for proper water supply.
 - Both hoses must be attached and have water flowing to inlet valve.
 - Both hot and cold water faucets must be turned on.
 - Check that inlet valve screens have not become clogged.
 - Check for any kinks in inlet hoses, which can restrict water flow.

- Check proper electrical supply.
 - Plug power cord into a grounded 3 prong outlet.
 - Do not use an extension cord.
 - Ensure there is power to outlet.
 - Reset a tripped circuit breaker. Replace any blown fuses. NOTE: If problems continue, contact an electrician.
- Normal washer operation.
 - Lid must be closed for washer to run.
 - Washer will pause during certain phases of cycle. Do not interrupt cycle.
 - Washer may be stopped to reduce suds.
- Washer may be tightly packed.
 - Remove several items, rearrange load evenly around the washplate. Close lid, touch and hold the START/PAUSE button.
 - Add only one or two additional items after washer has started.
 - Do not add more water to the washer.
- Not using HE detergent or using too much HE detergent.
 - Only use HE detergent. Suds from regular detergents can slow or stop the washer. Always measure detergent and following detergent directions based on your load requirements.
 - To remove suds, cancel cycle. Select RINSE & SPIN. Select your cycle. Touch and hold the START/PAUSE button. Do not add more detergent.

Washer not draining/ spinning; loads are still wet

- Small items may have been caught in pump or between basket and tub, which can slow draining.
 - Empty pockets and use garment bags for small items.
- Using cycles with a lower spin speed.
 - Cycles with lower spin speeds remove less water than cycles with high spin speeds. Use the recommended cycle/speed spin for your item.
- Washer may be tightly packed or unbalanced.
 - Tightly packed loads may not allow the washer to spin correctly, leaving the load wetter than normal. Evenly arrange the wet load for balanced spinning. Select RINSE & SPIN to remove excess water. See “Using Your Washer” for loading recommendations.

- Load off balanced.
 - See “Vibration or Off-Balance” in the “Troubleshooting” section for more information.
- Check plumbing for correct drain hose installation. Drain hose extends into standpipe farther than 4.5" (114 mm).
 - Check drain hose for proper installation. Use drain hose form and securely attach to drainpipe or tub. Do not tape over drain opening. Lower drain hose if the end is higher than 96" (2.4 m) above the floor. Remove any clogs from drain hose.
- Not using HE detergent or using too much HE detergent.
 - Suds from regular detergent or using too much detergent can slow or stop draining or spinning. Use only HE detergent. Always measure and follow detergent directions for your load. To remove extra suds, select RINSE & SPIN. Do not add detergent.

Incorrect or wrong wash or rinse temperatures

- Check for proper water supply
 - Make sure hot and cold inlet hoses are not reversed.
 - Both hoses must be attached to both washer and faucet, and have both hot and cold water flowing to inlet valve.
 - Check that inlet valve screens are not clogged.
 - Remove any kinks in hoses.
- Energy-saving controlled wash temperatures.
 - ENERGY STAR® qualified washers use cooler wash and rinse water temperatures than traditional top-loading washers. This includes cooler hot and warm washes.

Load not rinsed

- Check for proper water supply.
 - Make sure hot and cold inlet hoses are not reversed.
 - Both hoses must be attached and have water flowing to the inlet valve.
 - Both hot and cold water faucets must be on.
 - Inlet valve screens on the washer may be clogged.
 - Remove any kinks in the inlet hose.
- Not using HE detergent or using too much HE detergent.
 - The suds from regular detergent can cause the washer to operate incorrectly.



- Use only HE detergent. Be sure to measure correctly.
- Always measure detergent and follow detergent directions based on load size and soil level.
- Washer may be tightly packed.
 - The washer is less efficient at rinsing when load is tightly packed.
 - Load items in loose heaps evenly around the washplate.
 - Use cycle designed for the fabrics being washed.
 - Add only one or two additional items after the washer has started.

Sand, pet hair, lint, etc. on load after washing

- Heavy sand, pet hair, lint, and detergent or bleach residues may require additional rinsing.
 - Add an Extra Rinse to the selected cycle.

Load is tangling

- Washer not loaded as recommended.
 - Load items in loose heaps evenly around the washplate.
 - Reduce tangling by mixing types of load items. Use the recommended cycle for the type of items being washed.
- Wash action and/or spin speed too fast for load
 - Select a cycle with a slower wash action and slower spin speed. Note that items will be wetter than when using a higher speed spin.

Not cleaning or removing stains

- Wash load not completely covered in water.
 - Washer senses load size and adds correct amount of water. This is normal and necessary for clothes to move.
- Added more water to washer
 - Do not add more water to washer. Adding water lifts the items off the washplate, resulting in less effective cleaning.
- Washer not loaded as recommended.
 - Load items in loose heaps evenly around the washplate.
 - Add only one or two additional items after the washer has started.
- Not using HE detergent or using too much HE detergent.
 - The suds from regular detergent can keep washer from operating correctly.
 - Use only HE detergent. Be sure to measure correctly.

- Always measure detergent and follow detergent directions based on load size and soil level.
- Not using correct cycle for fabric type.
 - Use a higher soil level cycle option and warmer wash temperature to improve cleaning.
 - If using Quick cycle, wash only a few items.
 - Use Whites/Normal cycle for tough cleaning.
 - See the “Cycle Guide” to match your load with the best cycle.
- Not using dispensers.
 - Use dispensers to avoid chlorine bleach and fabric softener staining.
 - Load dispensers before starting a cycle.
 - Avoid overfilling.
 - Do not add products directly onto the load
- Not washing like colors together.
 - Wash like colors together and remove promptly after the cycle is complete to avoid dye transfer.

Odors

- Monthly maintenance not done as recommended.
 - Run the Clean Washer cycle after every 30 washes. See “Washer Care” in “Washer Maintenance.”
 - Unload washer as soon as cycle is complete
- Not using HE detergent or using too much HE detergent.
 - Use only HE detergent. Be sure to measure correctly.
 - Always follow the detergent directions.
 - See “Washer Care” section

Fabric Damage

- Sharp items were in pockets during wash cycle
 - Empty pockets, zip zippers, and snap or hook fasteners before washing to avoid snags and tears.
- Strings and straps could have tangled.
 - Tie all strings and straps before starting wash load.

- Items may have been damaged before washing.
 - Mend rips and broken threads in seams before washing.
- Fabric damage can occur if the load is tightly packed.
 - Load items in loose heaps evenly around washplate.
 - Load items should move freely during the wash to avoid damage.
 - Use the cycle designed for the fabrics being washed.
 - Add only one or two additional items after the washer has started.
- Garment care instructions may not have been followed.
 - Always read and follow garment manufacturer's care label instructions. See the "Cycle Guide" to match your load with the best cycle.
- Liquid chlorine bleach may have been added incorrectly.
 - Do not pour liquid chlorine bleach directly onto load. Wipe up bleach spills.
 - Undiluted bleach will damage fabrics. Do not use more than recommended by manufacturer.
 - Do not place load items on top of bleach dispenser when loading and unloading washer.

Incorrect dispenser operation

- Clogged dispensers or laundry products dispensing too soon.
 - Do not overfill dispenser. Overfilling causes immediate dispensing.
 - Load dispensers before starting a cycle.
 - It is normal for small amounts of water to remain in dispenser at the end of the cycle.
 - Fabric softener thickens as it gets older. If there becomes an increase of fabric softener in the dispenser after a cycle, then check the age of the fabric softener and replace if needed.
 - Homes with low water pressure may result in residual powder in the dispenser. To avoid, select a warmer wash temperature if possible, depending on your load.
- Liquid chlorine bleach not used in dispenser
 - Use only liquid chlorine bleach in the bleach dispenser.

Powdered detergent not dissolving completely in load

- Using too much HE detergent.
 - Follow the manufacturer's instructions to determine the amount of detergent to use.
- Water temperature is very cold.
 - Select a warmer wash temperature.
 - Try adding the detergent to the basket prior to adding laundry, rather than using the detergent dispenser.

Single-dose laundry packet not dissolving

- Adding laundry packet incorrectly.
 - Be sure laundry packet is added to washer basket before adding clothes. Follow the manufacturer's instructions to avoid damage to your items.

Error Code Appears in Display

F#E# code (F-type error code) appears in display

- System error code
 - Touch the POWER button to clear the code and exit cycle. Then touch the POWER button, select cycle, and touch and hold the START/PAUSE button to start washer. If code appears again, call for service.

F8E1 or LF (too long to fill) appears in display

- Washer taking too long to fill. Drain extends more than 4.5" (114 mm) into standpipe.
 - Check plumbing for correct drain hose installation. Use drain hose form and attach securely to drainpipe or tub. Do not tape over drain opening. See Installation Instructions.
 - Make sure water supply line is turned on.

F9E1, drn, dr (drain pump system problem – long drain) appears in display

- Washer taking too long to drain water. Drain extends more than 4.5" (114 mm) into standpipe.
 - Check plumbing for correct drain hose installation. Use drain hose form and attach securely to drainpipe or tub. Do not tape over drain opening.
 - Lower drain hose if the end is higher than 96" (2.4 m) above the floor. Remove any clogs from drain hose. See Installation Instructions.

F8E6 (Lid opened) appears in display

- Washer lid left open.
 - Close the lid and touch the POWER button to clear the display. If the lid is left open for more than 10 minutes, the cycle will reset and water in the washer will drain.

F1E1 ACU (Appliance control fault)

- Internal ACU failure.
 - Call for service.

F2E3 UI/ACU mismatch

- Wrong ACU or UI has been installed.
 - Call for service.

F3E1 Water level sensing failure

- Pressure sensor on ACU failure.
 - Call for service.

F5E2 Lid lock will not lock or lid lock failure

- An item in the load may be keeping the lid from locking.
 - Check for items directly under the lid.

F5E3 Lid cannot unlock

- Objects on washer lid keep it from unlocking.
 - Remove objects, such as baskets of laundry, from top of washer.

F6E2 or F6E3 Communication Error: UI cannot communicate

- ACU or UI synchronization error.
 - Remove power from the washer. Let washer sit for 5 minutes for the washer to completely power down. Apply power to washer and check for error codes. If the error code persists call for service.

"Ofb" (Off Balance)

- Load not balanced or evenly distributed around the basket.
 - Cycle is paused as indicated by the flashing Start/Pause indicator. Open the lid, redistribute the load, and close the lid. Touch and hold the START/PAUSE button to resume.

Warning

This content is compiled from multiple sources and is provided for reference purposes only. It may not be complete or fully applicable to all situations. If you are unable to resolve your issue, please contact the product manufacturer or an authorized service provider for official support.

Document generated by [ManualsFile](#)

