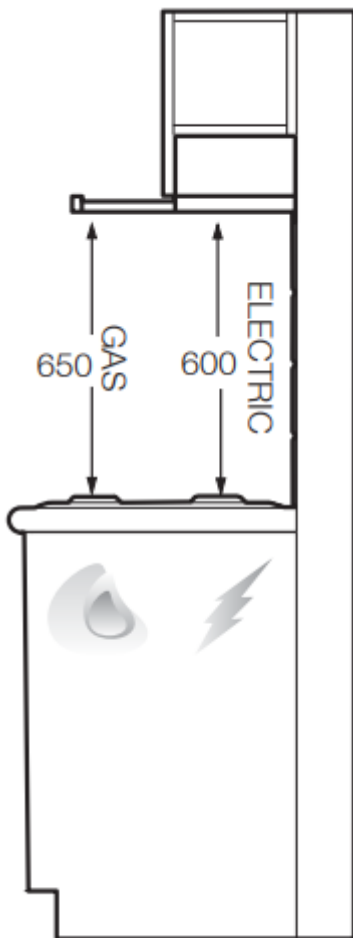


## Installation

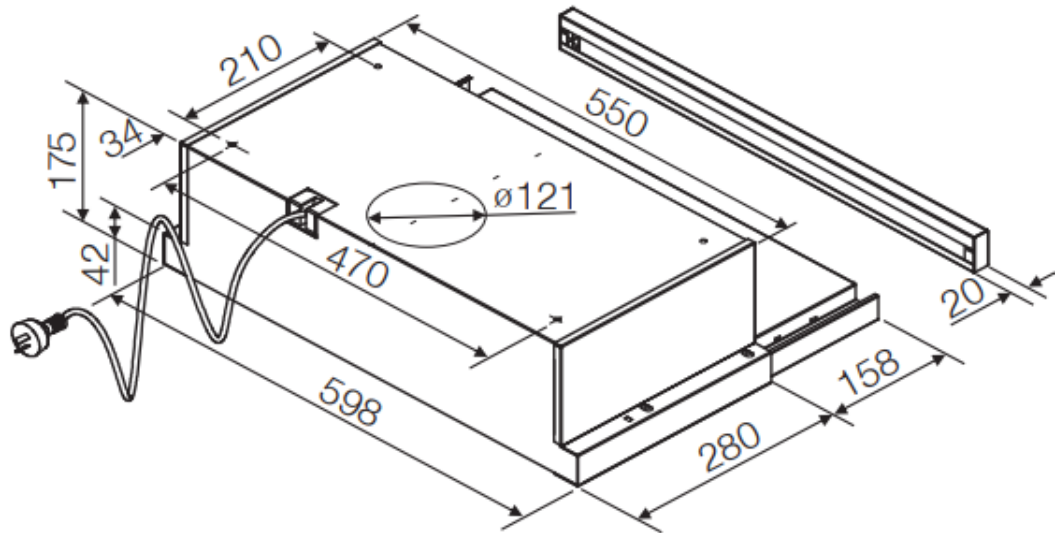
### Standard ducting installation

It is recommended that the unit be positioned at a minimum of 600mm for an electric cooktop and 650mm for a gas cooktop, and no further from the cooktop than 800mm. Then unit becomes less effective as the distance from the cooking surface to the rangehood increase.



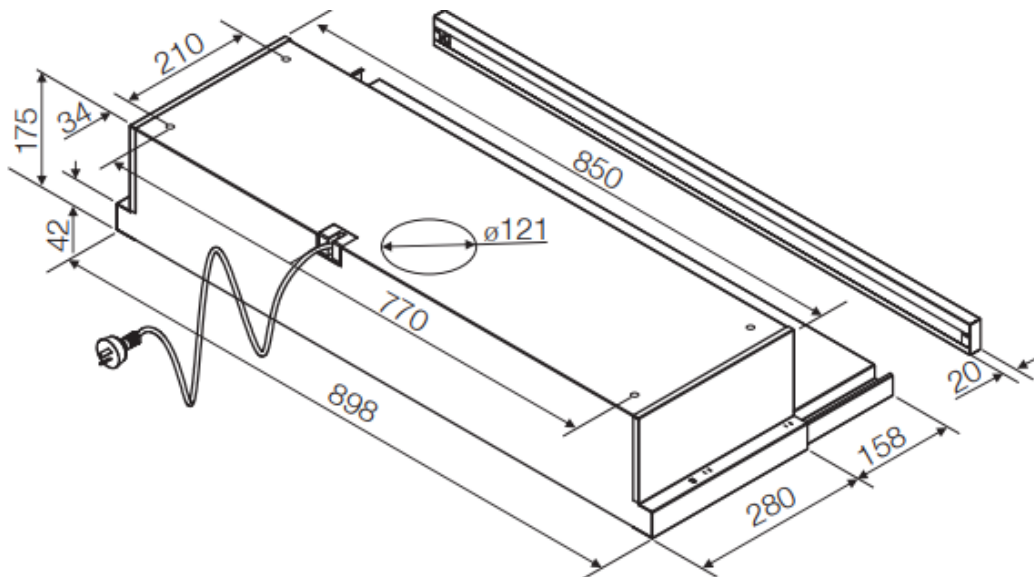
### Fixing point dimensions – 600mm

Minimum cabinet opening, 600mm



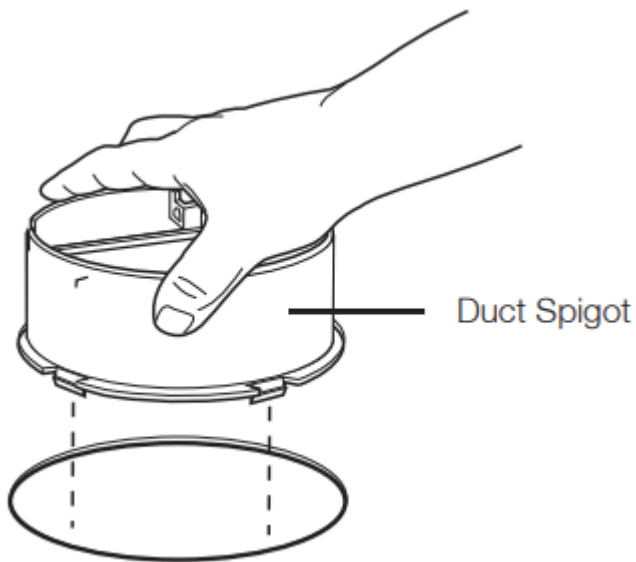
### Fixing point dimensions – 900mm

Minimum cabinet opening, 900mm



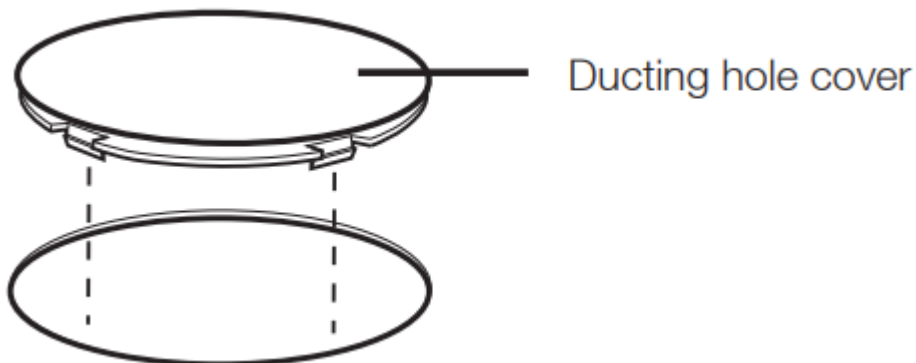
### Ducting installation

When installing with ducting pipe the Duct spigot must be fitted to the ducting hole on top of the body of the rangehood.



### Recirculating installation

For Models: WRH608I\* WRR614\*A WRH908I\* WRR 604\*B WRR904\*B WRR614\*B WRR914\*B) When installed in recirculating mode the ducting hole cover must be fitted.



### Parts supplied with hood

1 × Duct Spigot

1 x Ducting hole cover (for WRH608I\* WRR614\*A WRH908I\* WRR604\*B WRR904\*B WRR614\*B WRR914\*B)

4 × M6 × 40 screws

4 × Ø6 washers

2 × Carbon filters (for WRR614\*A WRR614\*B WRR 914\*B)

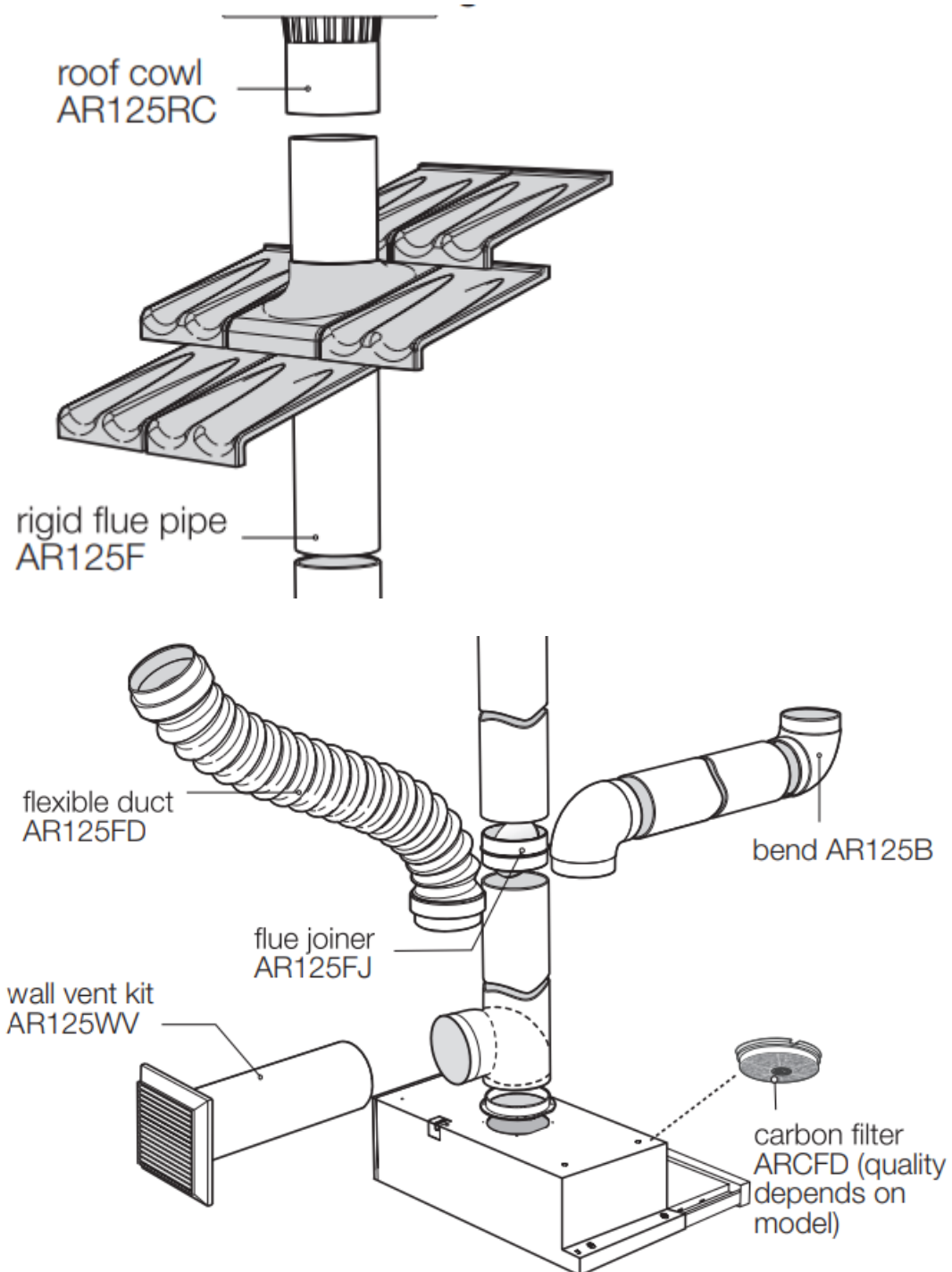
### Parts to be purchased

- Aluminium tape or cable ties to secure flue pipe
- Custom drawer fascia (if required)

- Ducting accessories

**Ducting accessories - REHR6\* WR H605I\* WR H608I\* WRR614\*A WRH908I\* WRR604\*B  
WRR904\*B WRR614\*B WRR914\*B**

For best performance, Ø 125mm ducting is recommended

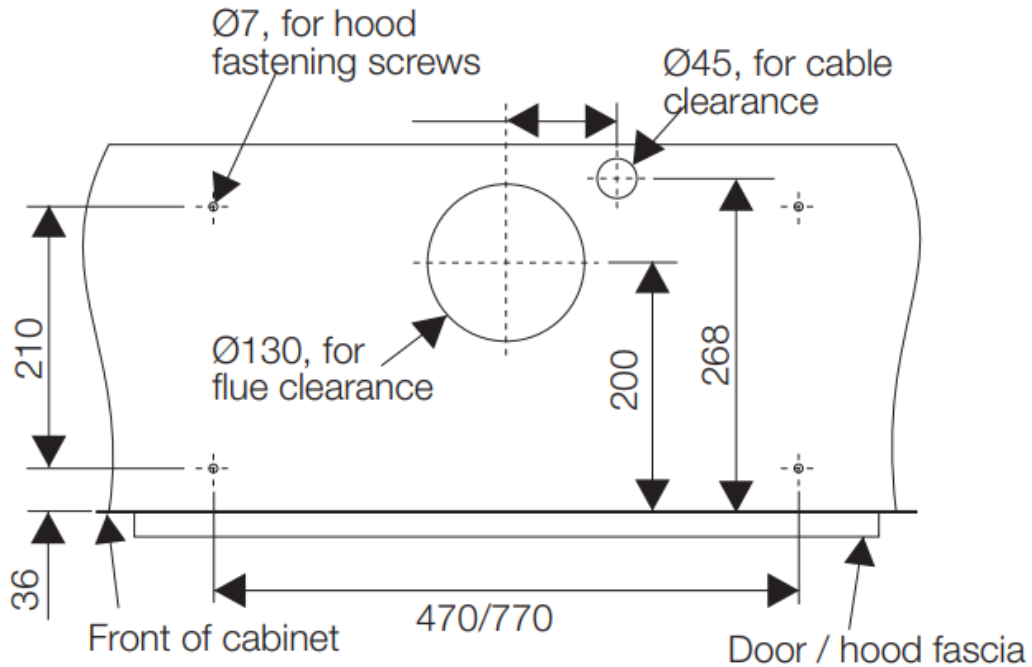


Accessories can be bought from your local appliance retailer, or in Australia at our online spare parts and accessories store

**Drilling holes**

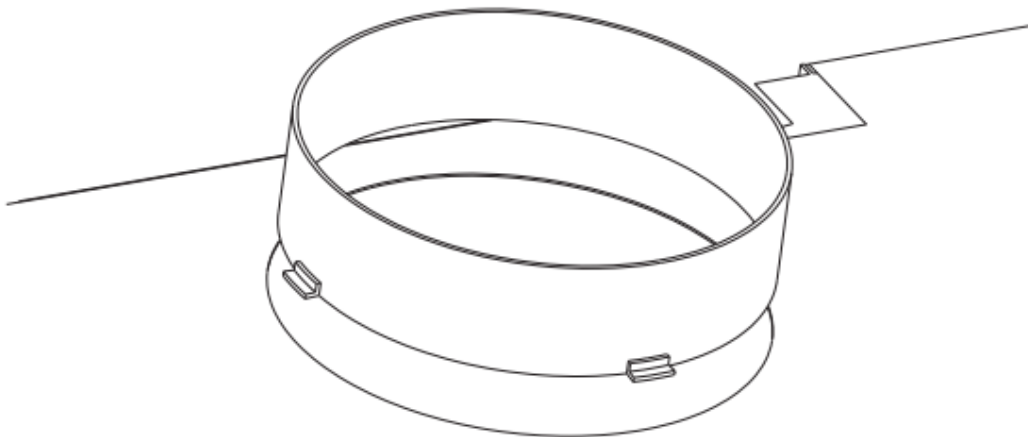
Drill the holes on top wooden support.

- drill  $\text{Ø}7$  hole
- drill  $\text{Ø}45$  hole
- cut  $\text{Ø}130$  hole



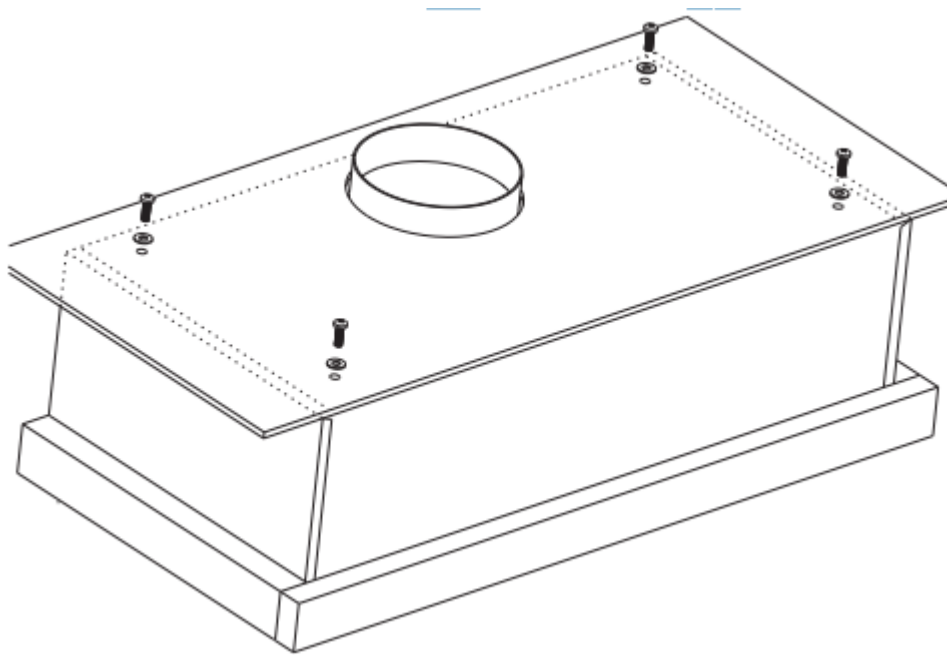
### Fixing duct spigot

Snap-in duct spigot to the range hood.



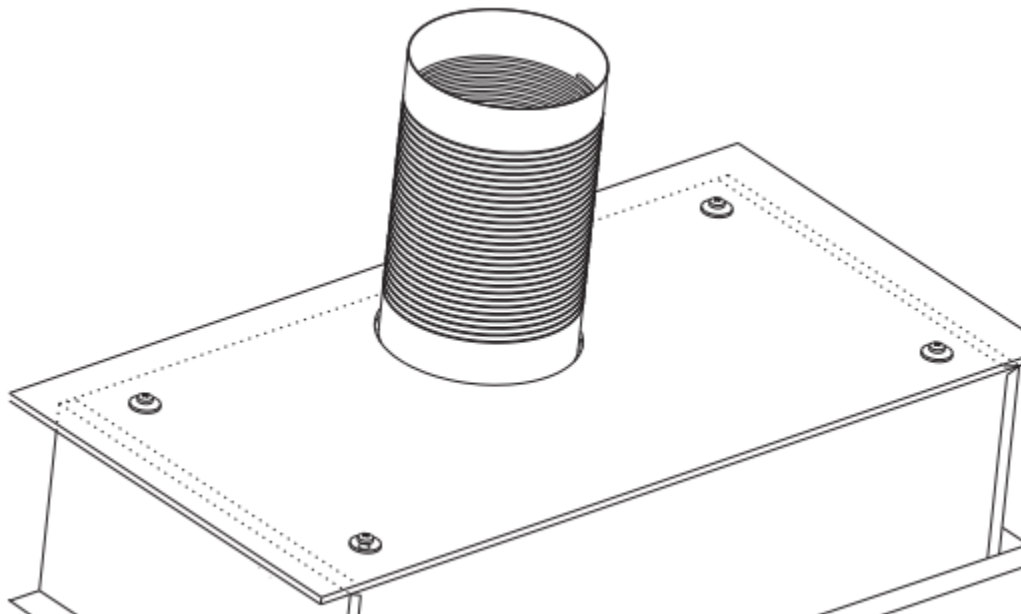
### Fixing the rangehood

Use 4 x M6x40 screws and washers supplied to fasten the cooker the wood support from upper side.



### Fixing flue pipe

Fix a 125mm diameter noncombustible rigid flue pipe. Fix flue pipe to the exhaust transition duct. Use cable ties or aluminum tape to secure flue pipe to the duct spigot. If using a flexible duct, install with the wire helix pulled taut to minimize pressure loss and noise.

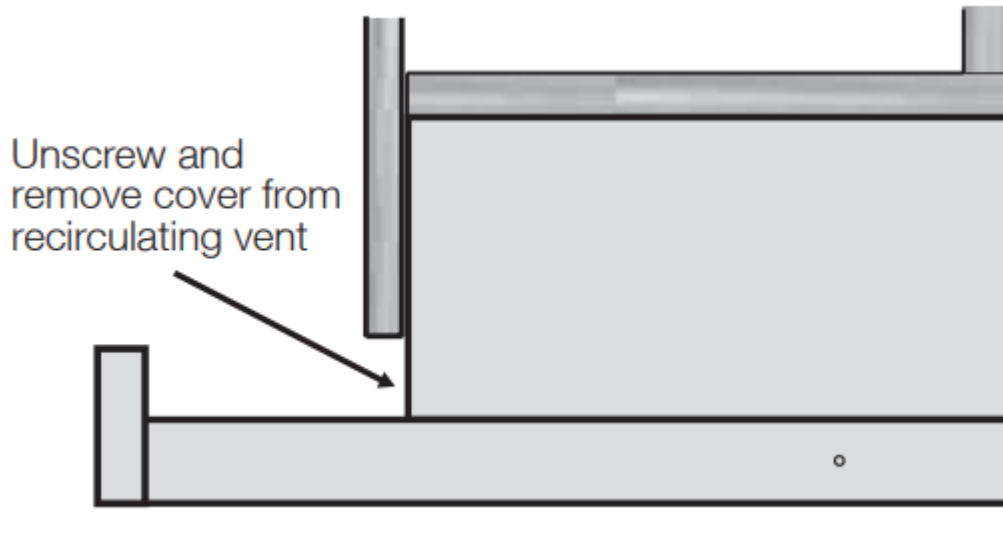
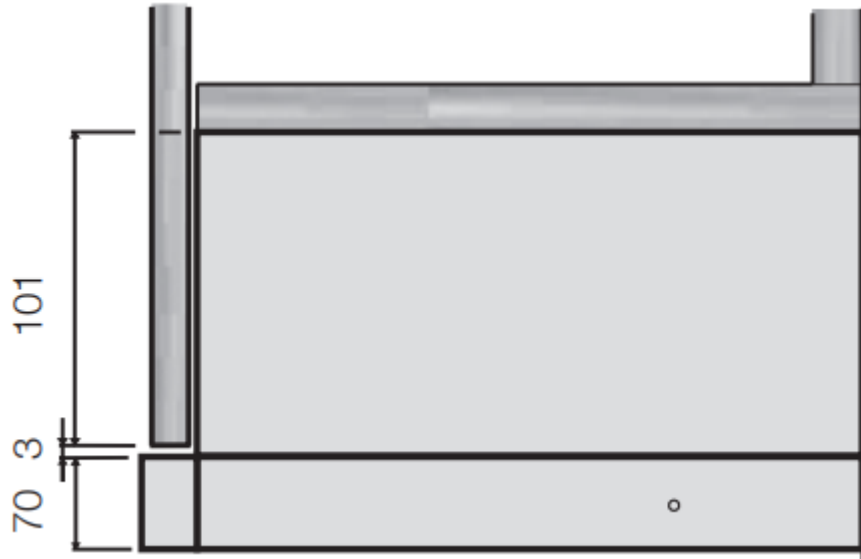


**Installation using the supplied drawer fascia – REHR6\* WRH605I\* WRH608I\* WRH908I\* WRR 604\*B WRR904\*B**

Standard ducted installation calls for a door extension of 130mm whether the client opts to use the supplied draw fascia or a custom fascia of the same dimensions as that supplied.

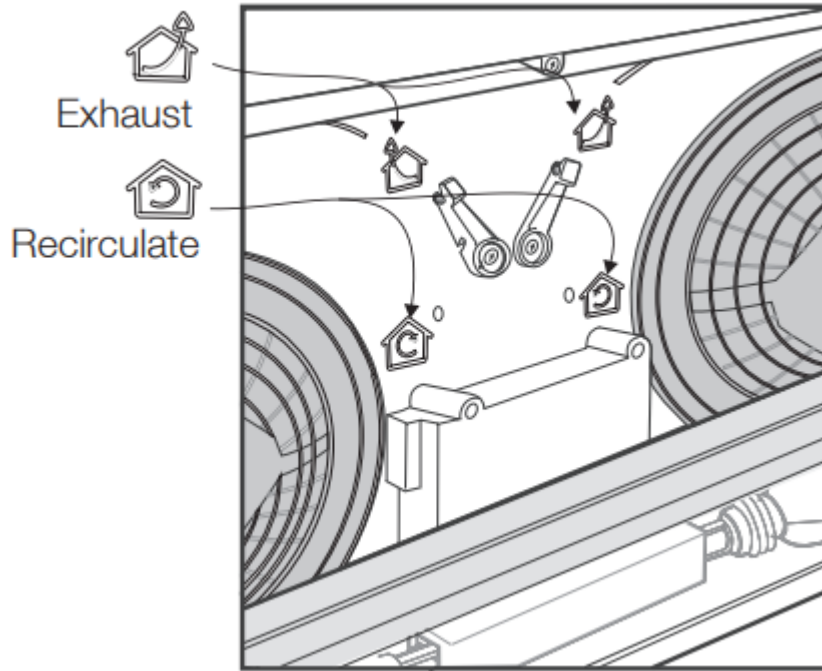
**Recirculating vent installation – WRH608I\* WRH908I\* WRR614\*B WRR914\*B  
WRR604\*B WRR904\*B**

(WRR614\*A already fitted with 70mm front panel)



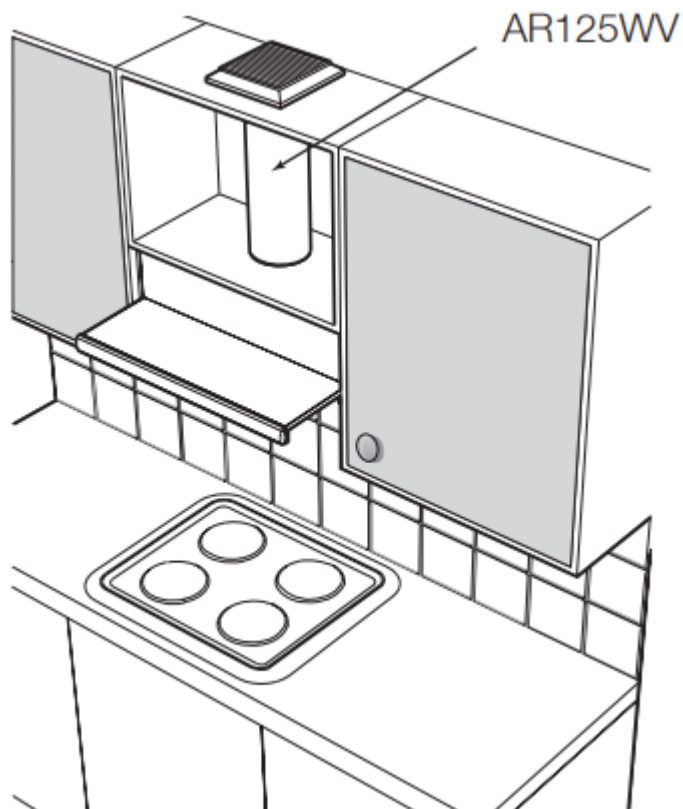
Setting of circulation air doors





**Ducted recirculating installation – REHR6\* WRH605I\* WRH608I\* WRH908I\* WRR604\*B  
WRR904\*B WRR614\*B WRR914\*B**

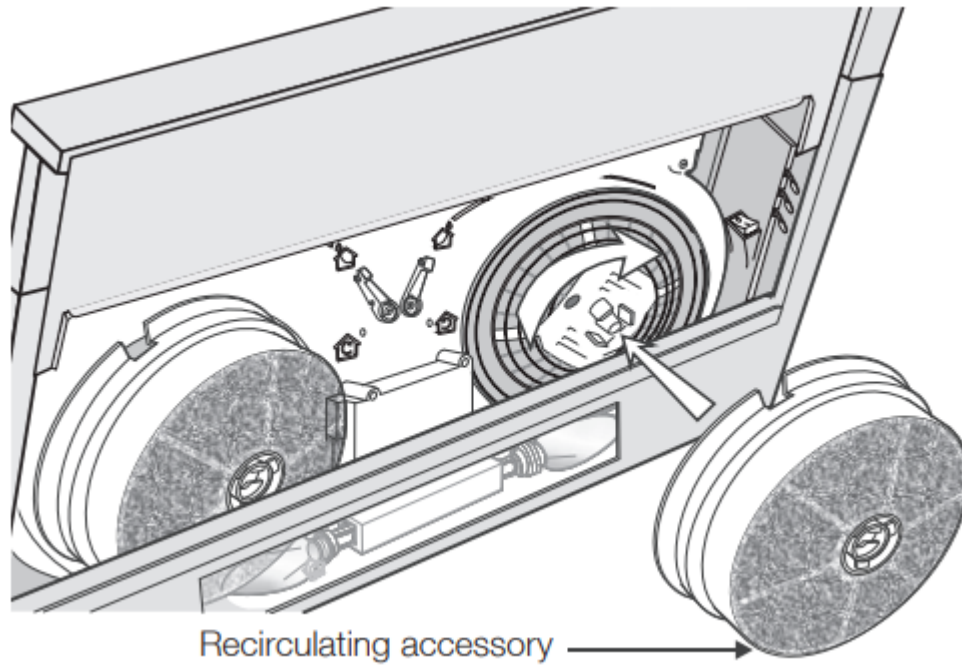
If ducted recirculating installation is used, carbon filters are recommended.



**All models optional carbon filter**



An optional carbon filter will diminish cooking odors in the recirculated air. Depending on the frequency of use and the type of cooking, the expected life of carbon filters from 1 to 6 months. Replacement is required. It is recommended to use carbon filters for recirculating installation.



Optional carbon filter ARCFD for recirculating mode only. Using carbon filters will reduce the airflow of the range hood.

## Operation

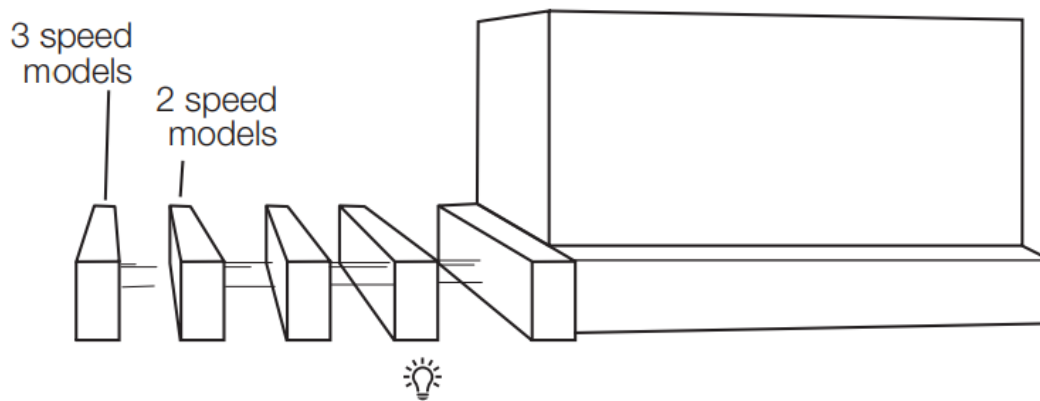
### REHR6\*

The operation of the light and the two-speed fan are controlled by the drawer action. (see diagram)

### WRH605I\* WRH608I\* WRR614\*A WRH908I\* WRR604\*B WRR904\*B WRR614\*B WRR914\*B

The operation of the lights and the three-speed fans are controlled by the drawer action. (see diagram)

Fan speed



### To replace the light globes

1. Open drawer and remove filter.
2. Turn main switch off before removing lamp.

Replace with 28W maximum E14 halogen candle lamp. Depending on model will require 1 or 2 globes. The lamp assembly includes a silicone seal, this must be replaced when a new lamp is used. The silicone seal is placed over the lamp thread and then the lamp is screwed into the holder. Ensure replacement lamp is tightened firmly. Replacement lamps from Electrolux Parts Centres are supplied with silicone seals.

## Maintenance

To maintain efficiency and reduce fire risk, filters should be removed every four weeks (maximum) for cleaning. Soak and agitate filters in hot soapy water or washing soda. Rinse, drain, shake well and replace.

Do not use caustic solutions or other corrosive agents. The filters can be washed in the dishwasher, recommended the filters be placed on the top shelf of the dishwasher.

### Remove filters for cleaning

1. Slide filter tray forward 1cm.
2. Push in clip on either side to release filter. Fig 1.
3. Pull filter downwards to remove. Repeat 2 & 3 for models with a second filter. Fig 2.
4. Turn off mains switch before cleaning drawer and rangehood body.
5. After cleaning, re-fit filters making sure the clip pins are securely fitted into the locating holes in the rangehood body and for twin filter versions, also located in the pullout drawer section.
6. Holding clip in, push opposite side of filter up until pins are over locating holes.
7. Release clip ensuring filter is securely fitted.

Safety Tips: Use of two hands for removal and re-fitting of filters is recommended to avoid accidental dropping of filters which could cause damage to your cooktop or kitchen surfaces.

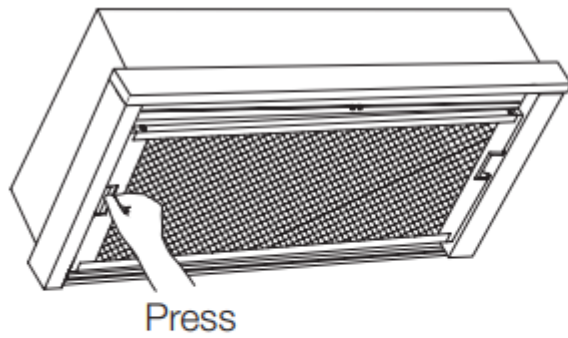


Fig. 1

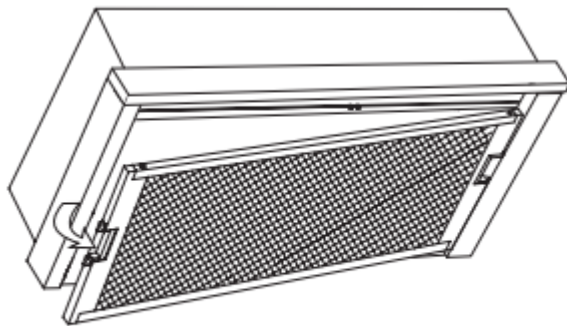


Fig. 2

### Warning

This content is compiled from multiple sources and is provided for reference purposes only. It may not be complete or fully applicable to all situations. If you are unable to resolve your issue, please contact the product manufacturer or an authorized service provider for official support.