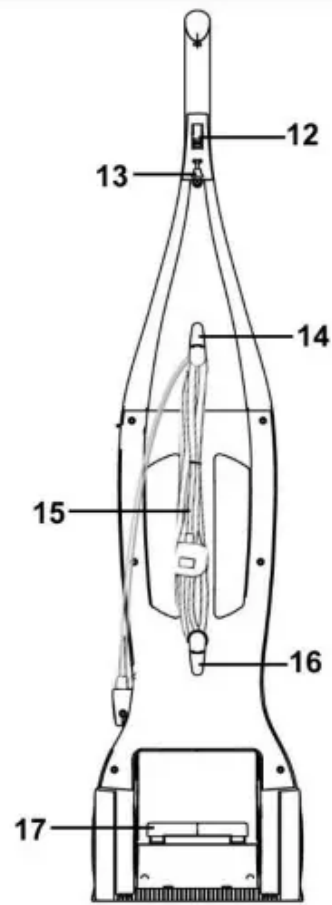
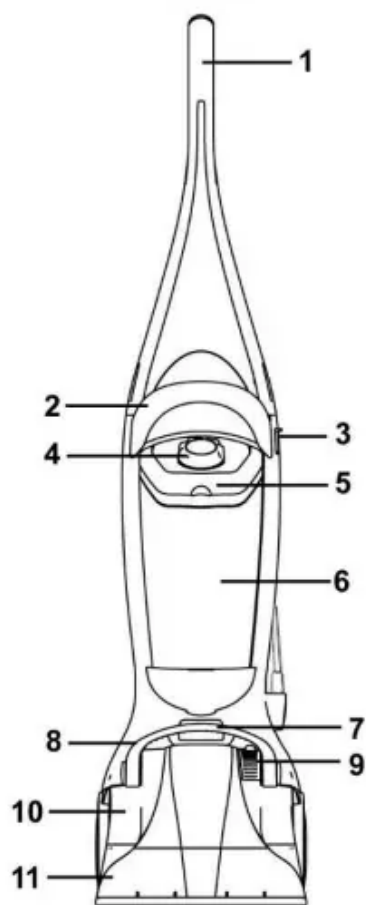


CARPET WASHER FEATURE DIAGRAM



- | | |
|------------------------------------|---------------------------------|
| 1. Handle | 10. Dirty water tank |
| 2. Carry Handle | 11. Brush bar (not visible) |
| 3. On/Off Switch | 12. Clean water release trigger |
| 4. Clean water tank cap | 13. Power cord tidy |
| 5. Clean water tank release handle | 14. Upper power cord holder |
| 6. Clean water tank | 15. Power cord |
| 7. Dirty water tank locking latch | 16. Lower power cord holder |
| 8. Dirty water tank release handle | 17. Handle release pedal |
| 9. Dirty water tank filter | |

CARPET WASHER ASSEMBLY

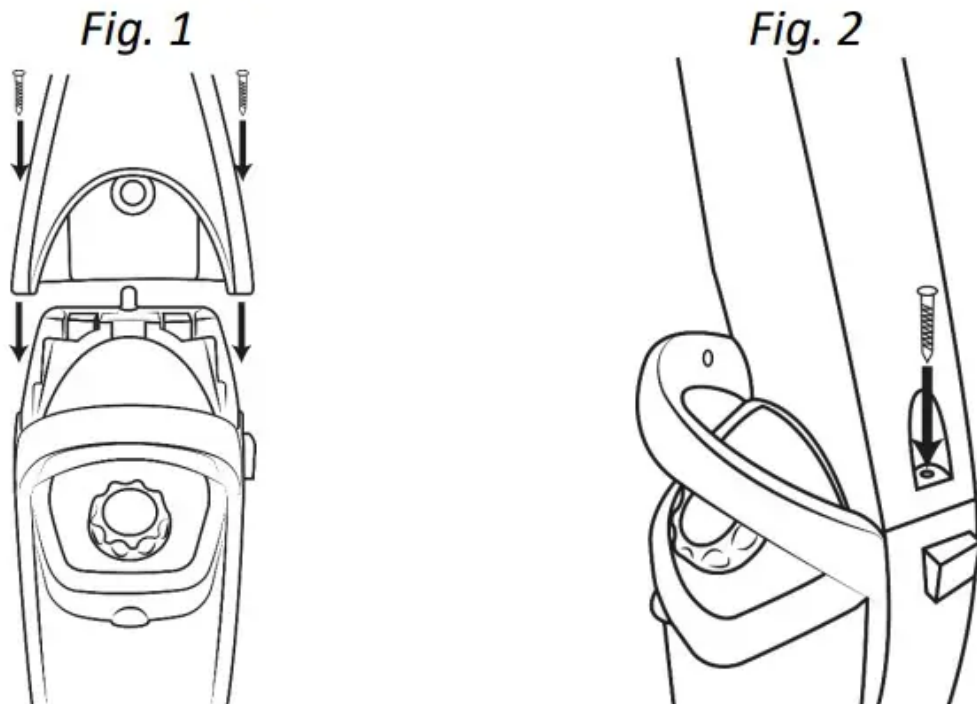
Assembling Your Carpet Washer

Note: Do not plug the power cord into an electrical outlet until the machine is fully assembled.

You will need a cross-head screwdriver

1. Carefully unpack all components and set aside the packaging.
2. Ensure the carpet washer is in the upright position.
3. Place the handle onto the base unit with the trigger facing backwards. [Fig. 1]
4. Once the handle is in place, secure the handle to the base unit with the two screws supplied using a cross-head screwdriver. [Fig. 2]

Caution: Do not over tighten the screws. Do not operate the vacuum without the handle screws in place.



If you can see any damage do not use the carpet washer and contact Customer Services.

USING YOUR CARPET WASHER

Prepare Your Carpet

IMPORTANT: Do not use the carpet washer as a dry vacuum.

Vacuum your carpet thoroughly. Ensure it is cleaned before you shampoo*. Remove as much furniture from the room as possible. If unable to remove the furniture, place plastic or foil under and around furniture legs until the carpet has dried completely.

HELPFUL HINTS FOR CLEANING CARPET:

We recommend to use only the cleaning solution recommended by Russell Hobbs with this carpet washer. We cannot guarantee shampoos by other manufacturers will perform effectively.

Do not over-saturate the carpet with cleaning solution while using the carpet washer. (See page 9)

For heavily soiled areas, additional applications may be necessary.

Allow plenty of time for the carpet to dry thoroughly.

Wipe the cleaning solution from woodwork and furniture to prevent any damage.

After the carpet is thoroughly dry, vacuum the carpet using a vacuum cleaner with a revolving brush bar.

Before cleaning, determine where to start and end, making sure not to walk over previously cleaned areas.

Try not to walk on the carpet until it is completely dry.

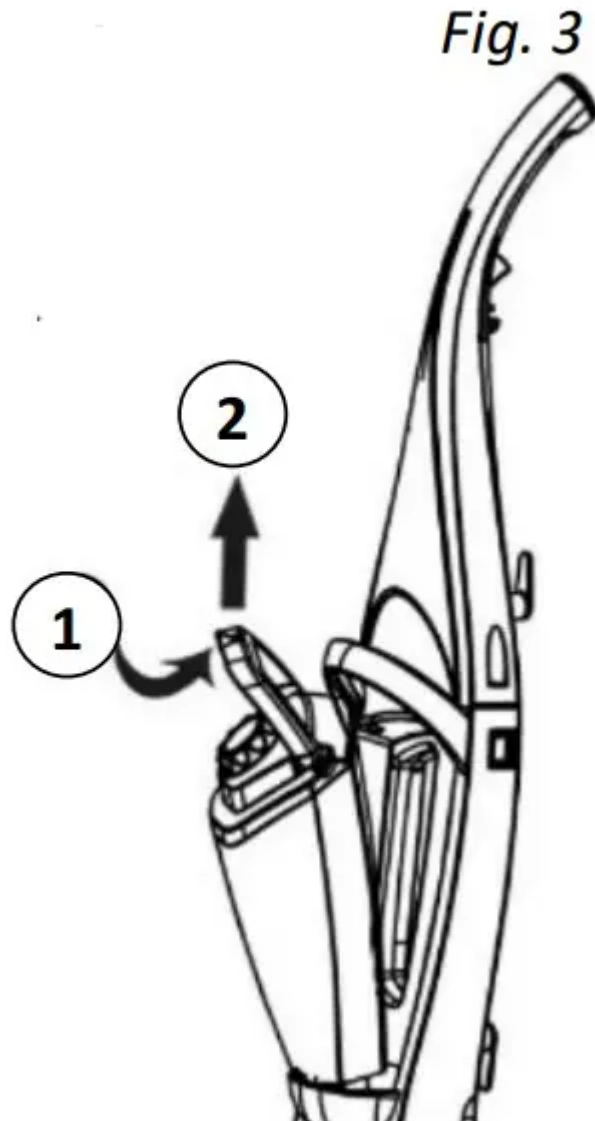
*Shampoo purchased separately

How to Fill the Water Tank

1. Lift the water tank release handle' upwards. Tilt the water tank away from the carpet washer and remove. [Fig. 3]
2. Unscrew the water tank cap. Add 1-4 capfuls of Russell Hobbs cleaning solution. Fill remainder of clean water tank with warm tap water (max 40°C). Replace cap.

IMPORTANT: Use only carpet cleaning solution recommended by Russell Hobbs. Using incorrect cleaning solutions may cause excess foaming. Excessive foam will prevent the machine from working effectively. Using other solutions will void the warranty. We cannot

be held liable for damage caused by using a secondary cleaner.



3. Place Clean Water Tank back to original position and press down release handle for security.

Caution: Do not use the Carpet Washer without the Clean Water Tank in position

Check for Colour Fastness

Before cleaning the carpet, test for colour fastness. Dampen a white cloth with solution and test a small inconspicuous area. Gently rub the cloth over the area. Check for colour bleeding. If the cloth remains clean, it should be safe to clean the carpet.

Start to use your Carpet Washer

1. Plug the cord into the electrical socket. Turn on the machine by using the on/off switch located on the side of the machine.

IMPORTANT: Never leave unit unattended with power on. Turn off when emptying and filling tanks.

2. Step on the handle release pedal to lower the machine into the cleaning position [Fig. 4]. While pressing the trigger, pull the carpet washer in a backward motion. Release the trigger and push the unit forward in the same path to agitate and remove dirty water and solution from the carpet. (For heavily soiled areas, repeat if necessary).

IMPORTANT: For best cleaning results use a steady, moderate, forward and backward motion. Always work from back to front across the room to avoid stepping on wet carpet and lowering the pile.

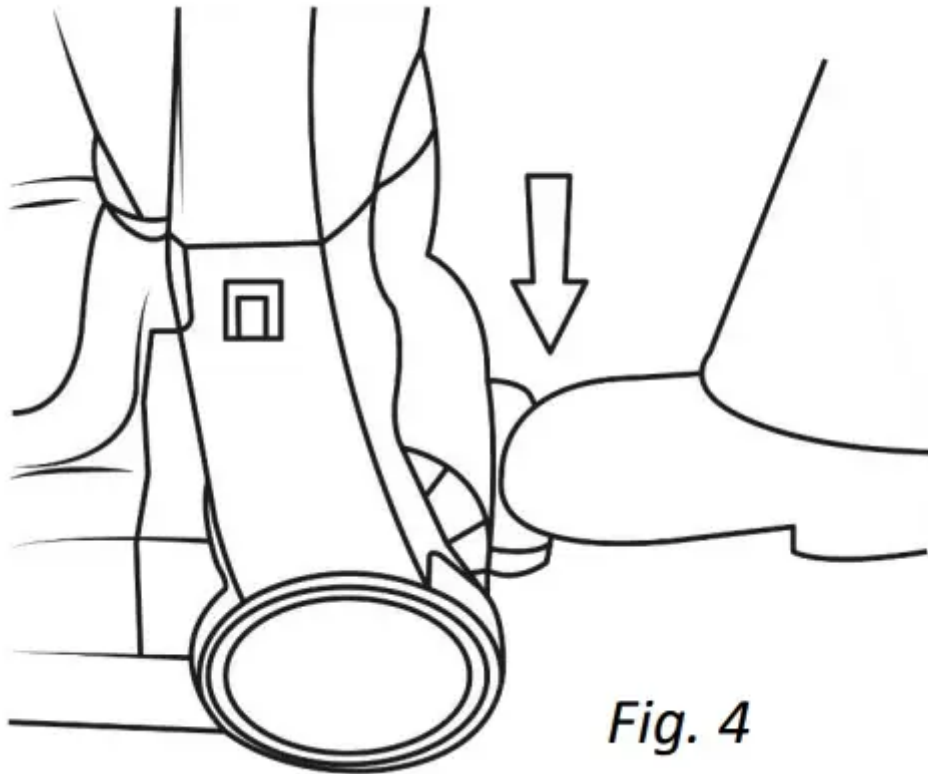


Fig. 4

Emptying your Carpet Washer

1. When you have finished cleaning, or when the dirty water tank is full, remove the dirty water tank by pressing the release tab behind the handle [Fig. 5]

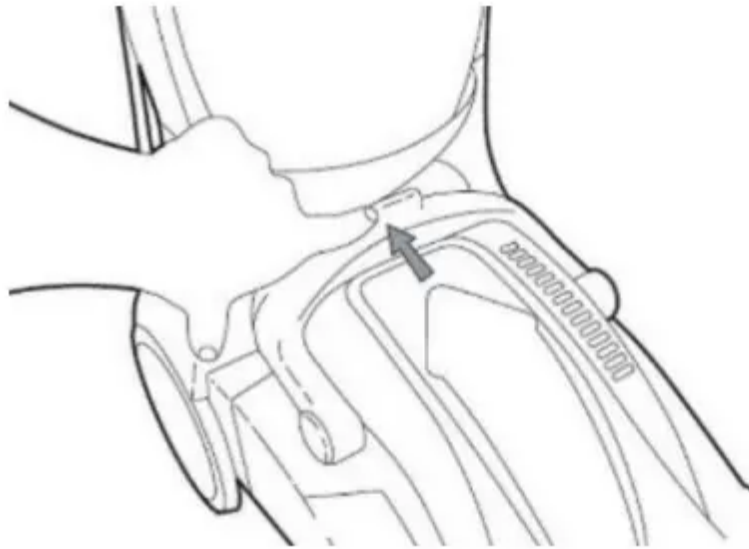


Fig. 5

2. Twist the dirty water tank outlet cap to the left and remove, empty, rinse and replace the tank. [Fig.6]

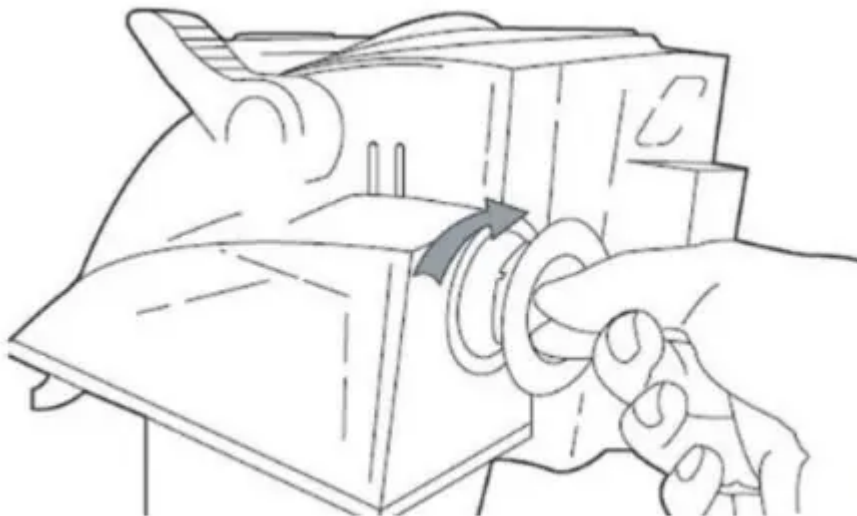


Fig. 6

Note: Allow the carpet cleaner to dry before storage.

CLEANING THE FILTERS

AFTER CLEANING:

Allow the carpet to dry completely. Try not to walk on the carpet until it is dry. If it is necessary to walk on the carpet, place white towels on the areas to be walked on. If the carpet is not dry and the furniture must be placed back in the room, use plastic or foil under

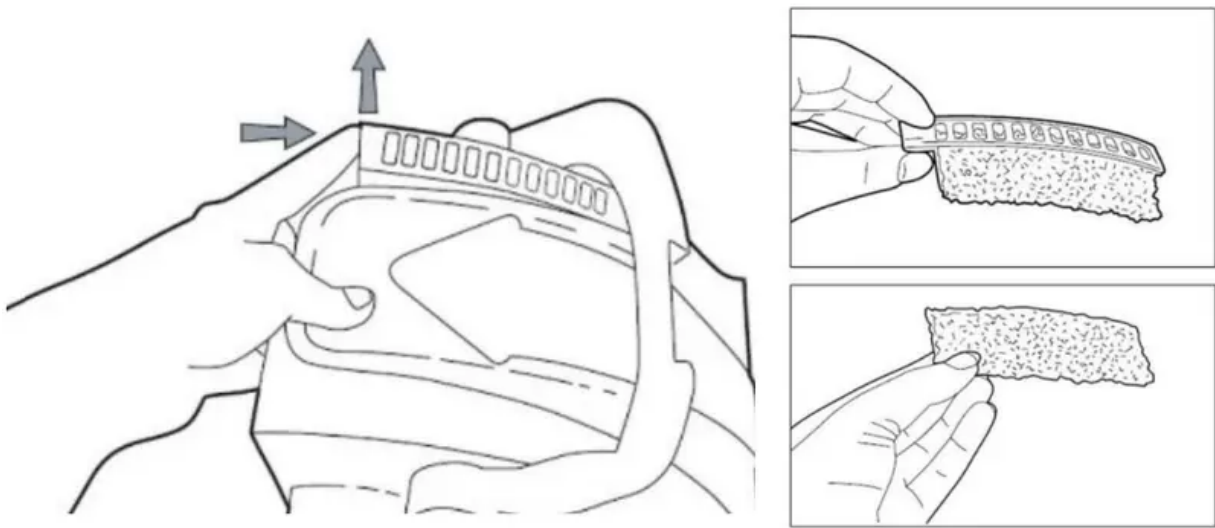
the furniture to prevent staining the carpet. Thoroughly clean the dirty water tank with warm (max 40°C) tap water.

Cleaning the Filters

There are two filters in the carpet washer that must be cleaned regularly to maintain performance.

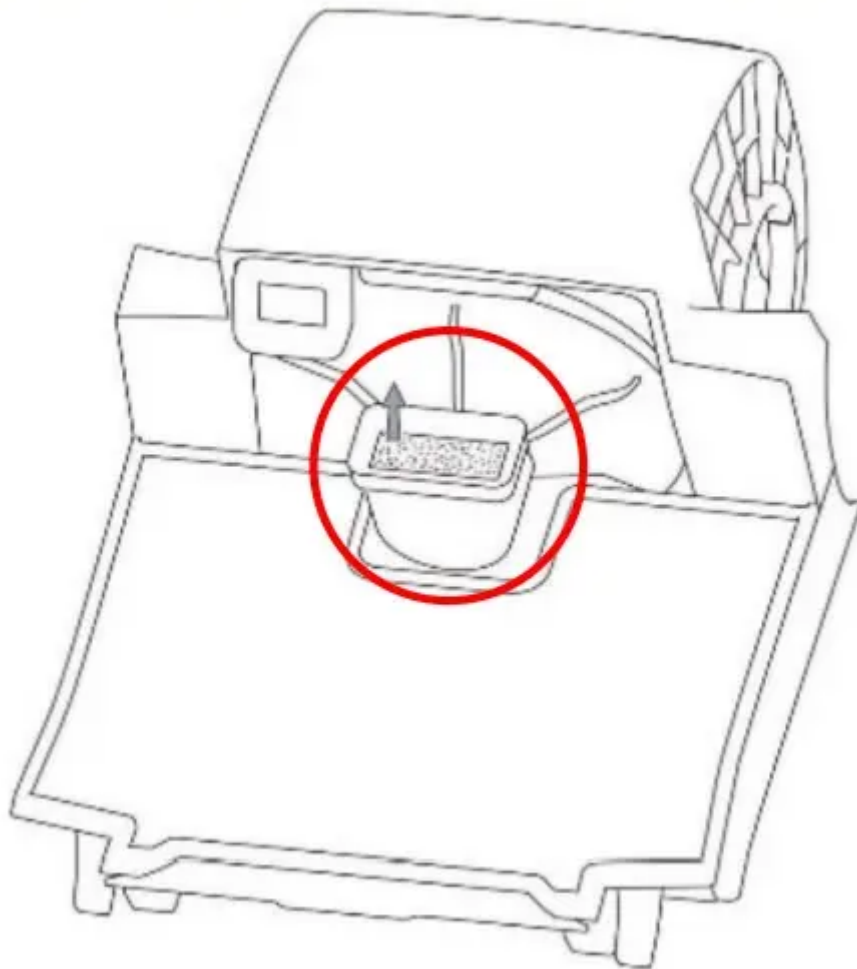
Dirty Water Tank Filter

There is a filter located in the top of the dirty water tank. Remove the filter cover from the top of the dirty water tank, remove the filter and rinse with warm water. Allow it to dry thoroughly before storing.



Cleaning the Pre-Motor Filter

To access the pre-motor filter, remove the dirty water tank. The filter is located in the base unit [Fig. x]. Rinse with warm water and allow it to dry before reuse or storage.



NOTE: Do not store the cleaner with solution in the clean water tank or dirty water in the dirty water tank. Mineral deposits and mildew can form which will affect the performance of the carpet washer on next use.

Using the Solution

Instructions for Use

Your Russell Hobbs Refresh and Clean Carpet Cleaner has been supplied with a bottle of Russell Hobbs Carpet Cleaning Solution. We recommend usage as follows:

	Amount to Use
For refreshing a clean carpet	1 Cap
For a regular to moderate clean	2 Caps
For a moderate to deep clean	3 Caps
For an in-depth clean	4 Caps



PROBLEM SOLVING

PROBLEM	POSSIBLE CAUSE	SOLUTION
Cleaner Won't Run	<ol style="list-style-type: none"> 1. Not properly plugged into outlet. 2. No electricity in wall outlet 3. On/Off switch not turned on. 4. Blown fuse/tripped breaker. 	<ol style="list-style-type: none"> 1. Plug in firmly. 2. Reset circuit breaker or replace the fuse. 3. Push on/off switch to on. 4. Check fuse or breaker.
Water keeps leaking from the brush bar.	<ol style="list-style-type: none"> 1. None recommended cleaning solution used. 2. Trigger partially blocked. 	<ol style="list-style-type: none"> 1. Use warm water 40 degrees and flush the unit. 2. Use warm water 40 degrees and flush the unit. Whilst pressing and releasing the trigger.
The carpet feels wet/water logged.	<ol style="list-style-type: none"> 1. Too much cleaning solution used in one area. 	<ol style="list-style-type: none"> 1. Use less cleaning solution over the cleaning area. Run the carpet cleaner over the area without pressing the trigger to remove excess water.
The stain on the carpet does not appear to be cleaned.	<ol style="list-style-type: none"> 1. Pre-treatment is necessary prior to using the carpet cleaner. 	<ol style="list-style-type: none"> 1. Use a pre-treatment cleaner on the stained area and brush away prior to using the carpet cleaner.

Warning

This content is compiled from multiple sources and is provided for reference purposes only. It may not be complete or fully applicable to all situations. If you are unable to resolve your issue, please contact the product manufacturer or an authorized service provider for official support.

Document generated by [ManualsFile](#)

