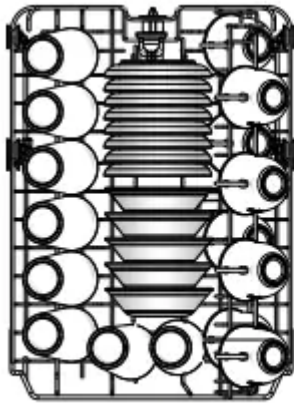
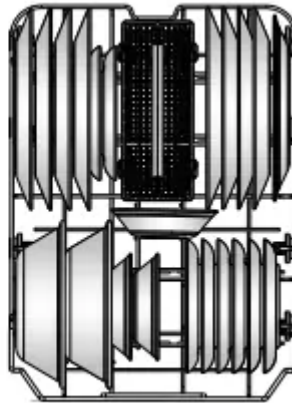


OPERATING YOUR DISHWASHER

1. Prepare and load the dishwasher



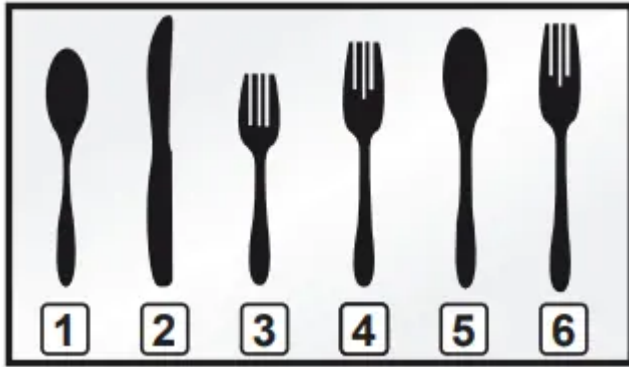
8-place load – upper rack



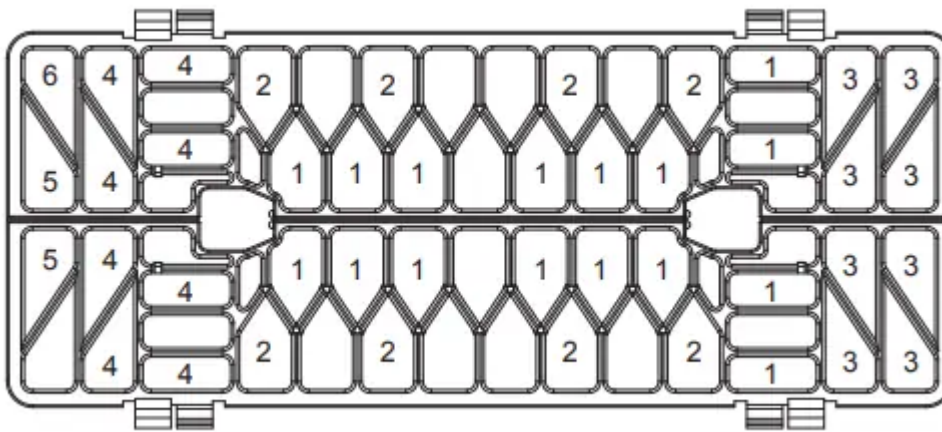
8-place load – lower rack

IMPORTANT: Remove leftover food, bones, toothpicks, and other hard items from dishes. Remove labels from containers before washing.

- Make sure when dishwasher door is closed, no items are blocking detergent dispenser.
- Items should be loaded with soiled surfaces facing down and inward to the spray as shown in the graphics above. This will improve cleaning and drying results. Angle dirtiest dish surface downward, allowing space for water to flow up through rack and between dishes.
- Avoid overlapping items, like bowls or plates, that may trap food.
- Place plastics, small plates, and glasses in upper rack.
- Wash only items marked “dishwasher safe.”
- To avoid thumping/clattering noises during operation, load dishes so they do not touch one another. Make sure lightweight load items are secured in racks.
- Use slots in the covers and suggested loading patterns to keep your silverware separated for optimum wash.



1. Spoons
2. Knives
3. Salad forks
4. Forks
5. Large spoons
6. Large forks



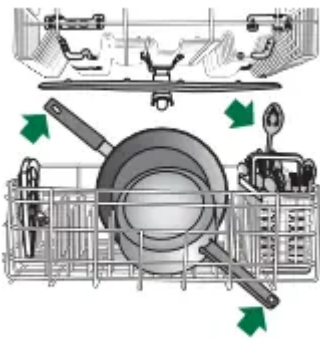
- If your silverware does not fit into the designated slots, lift and slide covers off to remove them and mix silverware types to keep them separated.
- When loading silverware, always place sharp items pointing down and avoid "nesting" as shown.



Silverware basket styles vary by models

2. Check that all arms spin freely

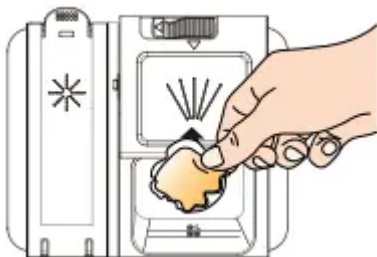
Items in the rack can block the spray arms.



3. Add detergent

Premeasured Detergents

High-quality premeasured tablets and packs are recommended for improved performance.

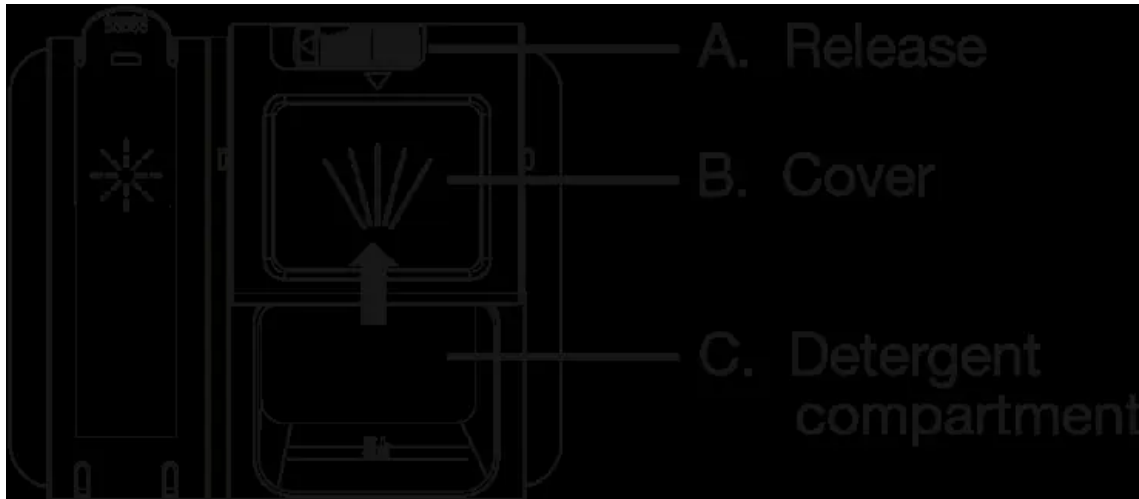


Quality tablets and packs have been proven better than powder, liquid, or gel detergents at reducing filming on dishes. Using tablets and packs over time will start to reduce or eliminate white film. They are suitable for all water hardness and soil levels. Also, by using a rinse aid, you can

minimize repeat buildup of white film (not all packs and tablets contain rinse aid). Always place premeasured detergents in main compartment and close lid.

NOTE: Follow instructions on the package when using other dishwasher detergent types. See the complete User Instructions for more details about powders, liquids, and gels.

- Use automatic dishwasher detergent only. Add detergent just before starting a cycle.
- Fresh automatic dishwasher detergent results in better cleaning. Store tightly closed detergent container in a cool, dry place.

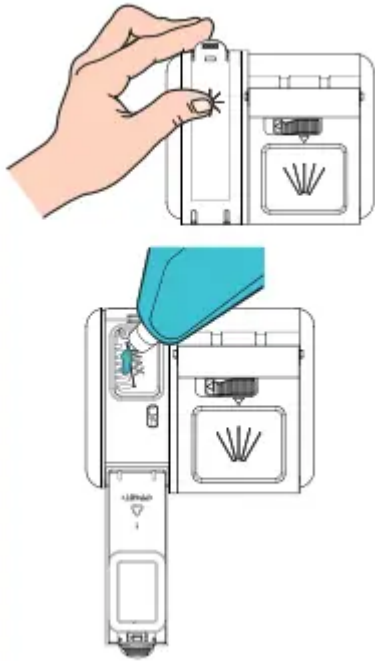


Close the detergent dispenser by sliding cover (B) over detergent compartment (C).

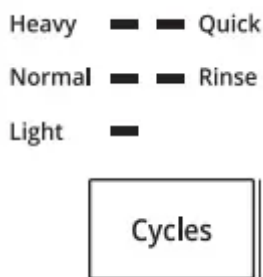
Open the detergent dispenser by sliding release (A) to the left and the cover (B) will automatically slide open.

4. Add rinse aid

- Your dishwasher is designed to use rinse aid for good drying performance. Without rinse aid, your dishes and dishwasher interior will have excessive moisture. The heating and drying options will not perform as well without rinse aid.
- Rinse aid keeps water from forming droplets that can dry as spots or streaks. It also improves drying by allowing water to drain off of dishes after final rinse. Rinse aid does not adhere to dishware, and when used, it is dispensed during each cycle.
- To add rinse aid, open the dispenser lid by gently pushing in the center of the lid with your thumb while lifting up on the edge.
- Pour rinse aid into the opening until the indicator level shows that it is full. Do not fill the reservoir above the full level indicator. Excess rinse aid can cause suds and water to overflow during the wash cycle.
- Close dispenser by pushing down gently on the lid until it clicks into place.



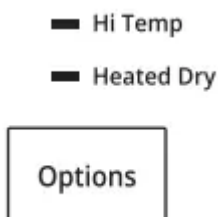
5. Select a cycle



Press the Cycles button to scroll through the available cycles. The indicator light next to the cycle name will illuminate when that cycle is selected.

NOTE: Heavier cycles and options lengthen cycle times. Choose a cycle appropriate for the food soils and dishes that you load. See the cycle descriptions in the Cycle Guide.

6. Select options



You can customize your cycles by selecting options. Press the Options button to add Hi Temp wash or Heated Dry to the cycle. The indicator light next to the option name will illuminate when

that option is selected. Continue to press the button until each option is selected or deselected as desired. Not all options are available for every cycle. If an invalid option is selected for a given cycle, the lights will flash. Adding options may increase the cycle time.

7. Start or resume a cycle



NOTE: If needed, run hot water at the sink nearest your dishwasher until the water is hot. Turn off water. With door firmly closed press the START/Cancel button.

IMPORTANT: If the door is opened for any reason after the cycle is started (even during the delay time), the Start/Cancel button must be pressed again after the door is closed. If Start/Cancel button is not pressed, the cycle will not resume.

8. Follow the progress of your dishwasher

The display will indicate the time remaining to complete the cycle. When the cycle is complete, the Complete light will remain on until the door is opened and closed or the Start/Cancel button is pressed.



CYCLE GUIDE

IMPORTANT: The sensor in your dishwasher monitors the soil level. Cycle time and/or water usage can vary as the sensor adjusts the cycle for the best wash performance. If the incoming water is less than the recommended temperature or food soils are heavy, the cycle will automatically compensate by adding time, heat, and water as needed.



The dishwasher remembers the cycle and options selections from the most recently completed cycle. To run the same cycle and options as the last time, press the START/Cancel button twice—once to wake up the controls, and again to start the dishwasher

CYCLES		ESTIMATED WASH TIME W/O OPTIONS HH:MM	WATER USAGE GALLONS (LITERS)
Heavy ■	Use for hard-to-clean, heavily soiled pots, pans, casseroles, and regular tableware. Includes Heated Dry option.	2:35	5.1 G (19.2 L)
Normal ■	This cycle is recommended for daily, regular, or typical use to completely wash and dry a full load of normally soiled dishes. This dishwasher's government energy certifications were based on the Normal cycle with only the Heated Dry option selected.*	1:35 - 2:10	2.5 - 4.8 G (9.3 - 18.0 L)
Light ■	For lightly soiled loads such as glasses, crystal, and fine china. Includes Heated Dry option.	1:45	4.0 G (15.0 L)
■ Quick	For fast results, the Quick cycle will clean lightly soiled loads that do not need drying. Includes Heated Dry option. NOTE: Some detergents are not recommended for short wash cycles, please refer to your detergent packaging for more information.	1:00	3.2 G (12.3 L)
■ Rinse	Use for rinsing dishes, glasses, and silverware that will not be washed right away. Do not use detergent.	0:20	1.7 G (6.5 L)

*No other washing and drying temperature options were selected, and the dishwasher was not subjected to truncated testing. Rinse aid was not used, and there was no detergent used in the prewash.

OPTIONS	CAN BE SELECTED WITH	WHAT IT DOES	ADDED TIME TO CYCLE	ADDED WATER GALLONS (LITERS)
■ Hi Temp	Heavy Normal Light	Raises the main wash temperature to improve cleaning for loads containing tough, baked-on food. Raises the main wash temperature to 140°F (60°C).	0:05 - 1:00	0 - 2.0 G (0 - 8.0 L)
■ Heated Dry	Heavy Normal Light Quick	Uses a heating element to speed drying times. Heated Dry option defaults to On when any cycle is selected, except for Rinse.	0:05	NA
Delay	Available with any cycle	Delays start of a cycle up to 24 hours.	1:00 - 24:00	NA



Control	Purpose	Comments
	Press to start or resume a wash cycle.	If the door is opened during a cycle or the power is interrupted, the cycle will not resume until the Start/Cancel button is pressed again.
	Press and hold to cancel wash cycle.	With the door closed and the cycle or delay running, press and hold the START/Cancel button for 3 seconds. The dishwasher will start a 60-second drain. Let dishwasher drain completely.
	Press and release once to temporarily interrupt the cycle without canceling	With a cycle running, press and release the START/Cancel button once. This will interrupt the cycle without canceling. Opening the door will also interrupt the cycle in the same way. Close the door and press START/Cancel again to resume the cycle.
	Use to avoid unintended use of dishwasher between cycles, or cycle and option changes during a cycle.	<p>Use the Control Lock option to avoid unintended use of dishwasher between cycles or cycle and option changes during a cycle.</p> <p>To turn on Control Lock, press and hold both OPTIONS and DELAY for 3 seconds. The Control Lock indicator light next to the time display will turn red indicating that it is activated. When the lock indicator is lit, all buttons are disabled. If you press any button while your dishwasher is locked, the light flashes once. The dishwasher door can still be opened and closed while the controls are locked.</p> <p>To turn off Control Lock, press and hold both OPTIONS and DELAY for 3 seconds. Control Lock indicator light will turn off.</p>

DISHWASHER CARE

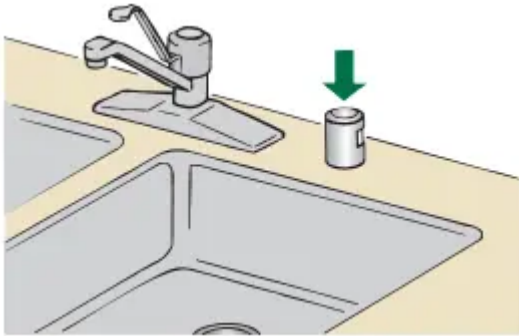
Cleaning the Exterior

Clean the exterior of the dishwasher with only a soft, damp cloth and mild detergent. Avoid using abrasive cleaning products on the exterior of the dishwasher.

Cleaning and Maintaining the Interior

Many detergents may leave white spots or a white residue on dishware and on the interior of the dishwasher. Over time this residue can become unsightly and could affect dishwasher performance. Use of a dishwasher cleaning product such as affresh® Dishwasher Cleaner can help to remove the residue. Monthly use of affresh® Dishwasher Cleaner is recommended to help maintain the dishwasher. Follow package directions.

NOTE: Whirlpool recommends the use of high-quality premeasured detergent tablets or packs and the use of rinse aid for dishwasher cleaning and daily care.



If you have a drain air gap, check and clean it if the dishwasher isn't draining well.

To Reduce Risk of Property Damage During Vacation or Extended Time Without Use:

- When you will not be using the dishwasher during the summer months, turn off the water and power supply to the dishwasher.
- Make sure the water supply lines are protected against freezing conditions. Ice formations in the supply lines can increase water pressure and cause damage to your dishwasher or home. Damage from freezing is not covered by the warranty.
- When storing your dishwasher in the winter, avoid water damage by having your dishwasher winterized by authorized service personnel.

TROUBLESHOOTING

First try the solutions suggested here. If you need further assistance or more recommendations that may help you to avoid a service call

Please include a daytime phone number in your correspondence.

If you experience

Dishwasher does not run or stops during a cycle

Dishes do not dry completely

Noise

Spotting/Filming



If you experience

Dishwasher does not clean completely

Dishwasher does not drain

Warning

This content is compiled from multiple sources and is provided for reference purposes only. It may not be complete or fully applicable to all situations. If you are unable to resolve your issue, please contact the product manufacturer or an authorized service provider for official support.



