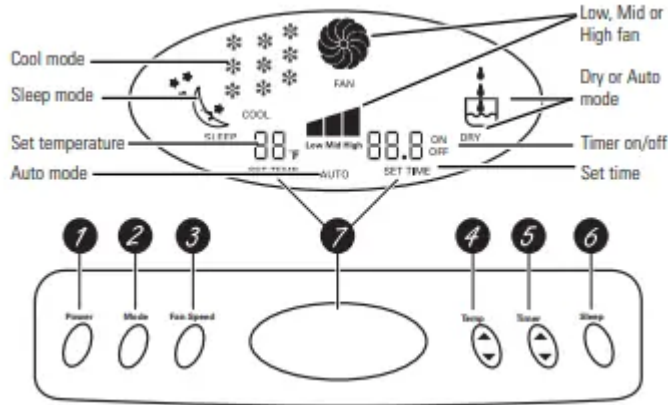
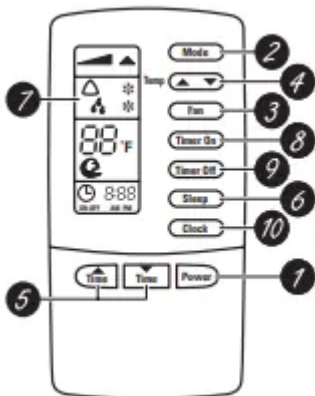


## About the controls on the air conditioner

Appearance and features may vary



### Air Conditioner Display and Controls



### Remote Control

#### Controls

##### 1. Power Pad

Turns the air conditioner on and off. (After installing batteries in the remote control, touch Power to operate air conditioner settings.)

##### 2. Mode

Use to set the air conditioner to FAN, COOL, DRY and AUTO mode.

NOTE: If you have a Cool only model, heat settings will not be active on your model even though HEAT appears in the remote control display

##### 3. Fan Speed Pad

Use to set the fan speed to LOW, MID or HIGH.

#### 4. Temp Increase ▲ /Decrease ▼ Pads

Use to set temperature when in COOL mode.

#### 5. Timer Increase ▲ /Decrease ▼ Pads

ON—When the air conditioner is off, it can be set to automatically come on in 1/2–24 hours (or 1/2–18 hours if setting with the remote control) at its previous setting. Touch the Timer Increase ▲ /Decrease ▼ pads to set the timer in increments.

OFF—When the air conditioner is on, it can be set to automatically turn off in 1/2–24 hours. Touch the Timer Increase ▲ / Decrease ▼ pads to set the timer in increments

To cancel the timer, touch the Timer Increase ▲ / Decrease ▼ pads until the display does not show a time.

#### 6. Sleep

Touch to set the air conditioner to run for 1/2 to 24 hours (or 1–7 hours if setting with the remote control) before it automatically shuts off. Touch the Timer Increase ▲ / Decrease ▼ pads to set the timer in increments.

After the sleep timer is set, the set temperature will automatically increase in intervals to provide a comfortable sleeping temperature.

To cancel the sleep mode, touch the Sleep pad a second time or touch the Timer Increase ▲ / Decrease ▼ pads until the display does not show a time.

NOTE: The sleep timer will be cancelled if the air conditioner is turned off or the Timer ON pad is touched on the remote control.

#### 7. Display

Shows the selected mode, fan speed, set temperature or time remaining on timer. The display will also show E4 and the unit will signal when the water bucket is full. The dehumidification (DRY or COOL mode) process will stop but the fan motor will continue to operate.

#### 8. Timer On

Use on the remote control to turn the Timer on. Then use the Time Increase ▲ /Decrease ▼ pads to set the timer in increments. Touch Timer On again to send time setting to unit.

#### 9. Timer Off

Use on the remote control to turn the Timer off

#### 10. Clock

Use to set the time of day on the remote control display. Touch Clock pad and then the Time Increase ▲ /Decrease ▼ pads to set. Touch Clock again to activate.

#### Remote Control

To ensure proper operation, aim the remote control at the signal receiver on the air conditioner.

The remote control signal has a range of up to 21 feet.

Make sure nothing is between the air conditioner and the remote control that could block the signal.

Make sure batteries are fresh and installed correctly—see the Using the portable air conditioner section.

### **FAN Mode**

Use the FAN at HIGH, MID or LOW to provide air circulation and filtering without cooling. Since fan only settings do not provide cooling, a temperature setting will not be displayed.

### **COOL Mode**

Use the COOL mode with HIGH, MID or LOW fan for cooling. Use the Temp INCREASE ▲ / DECREASE ▼ pads to set the desired temperature between 61°F and 86°F in 1°F increments.

A thermostat is used to maintain the room temperature. The compressor will cycle on and off to keep the room at the set level of comfort. Set the thermostat at a lower number and the indoor air will become cooler. Set the thermostat at a higher number and the indoor air will become warmer.

NOTE: If the air conditioner is off and is then turned on while set to a Cool setting or if turned from a fan setting to a Cool setting, it will take approximately 3 minutes for the compressor to start and cooling to begin.

### **Cooling Descriptions**

For Normal Cooling—Select the COOL mode and HIGH or MID fan with a middle set temperature.

For Maximum Cooling—Select the COOL mode and HIGH fan with a lower set temperature.

For Quieter & Nighttime Cooling—Select the COOL mode and LOW fan with a middle set temperature.

NOTE: If you switch from a COOL setting to OFF or to a fan setting, wait at least 3 minutes before switching back to a COOL setting

### **DRY Mode**

Use the DRY mode to provide dehumidification only. The fan will run at a low fixed speed at this setting. Keep windows and doors closed for the best dehumidifying effects. When using the DRY mode, detach the exhaust hose from the unit and remove the window slider or seal the opening in the window exhaust adapter.

## NOTES:

- If you switch from a DRY setting to OFF or to a fan setting, wait at least 3 minutes before switching back to a DRY setting.
- The compressor runs in this mode.

## AUTO Mode

Set to AUTO for the temperature and fan speed to automatically provide optimum comfort settings.

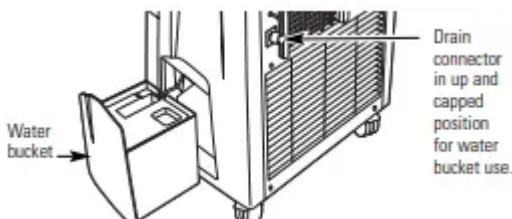
**NOTE:** DRY will also appear in the display when using the AUTO mode.

## Using the portable air conditioner

Always make sure the water bucket is locked into place on the portable air conditioner

### Using the Water Bucket

Make sure the drain connector is capped and in the up position. When the bucket is removed, the unit will shut off. Empty and replace the bucket, making sure that it is fully seated in the unit.



**IMPORTANT:** When using the water bucket to remove collected water, make sure that the drain connector is in the up position and that it is capped. If it is not in the up position water will drain from the connector onto the floor

When the water bucket is full, a signal will beep and the display will show E4 until the water bucket has been emptied.

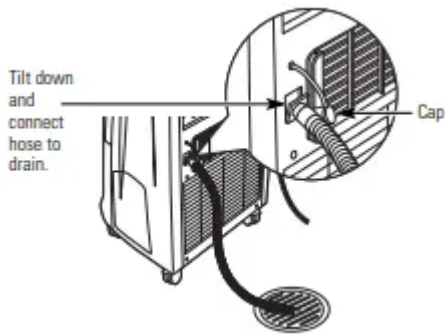
**NOTE:** The fan will continue to operate even when the water bucket is full. However, the Cooling or Dry mode will not work until the water bucket has been emptied and replaced correctly

To empty the water bucket before it is full, turn the unit off and wait for three minutes for all water to collect into the bucket.

### Using the Drain Hose

Water can be automatically emptied into a floor drain by uncapping the drain connector, tilting it down and connecting the drain hose. Route the drain hose straight to a floor drain.

**IMPORTANT:** When the drain connector is tilted down the water will drain through the connector. Make sure the hose is connected and that it is led straight to a floor drain. Never tilt the drain connector down with it capped because draining water will cause the unit to malfunction.



*When tilting the drain connector down, always uncap it, attach the drain hose and lead it straight to a floor drain.*

### **How to Insert the Batteries in the Remote Control**

1. Remove the battery cover by sliding it according to the arrow direction.
2. Insert new batteries, making sure that the (+) and (-) of battery are installed correctly.
3. Reattach the cover by sliding it back into position.

### **NOTES:**

- Use 2 “AAA” (1.5 volt) alkaline batteries. Do not use rechargeable batteries.
- Remove the batteries from the remote control if the system is not going to be used for a long time.

## **Care and cleaning of the air conditioner**

Turn the air conditioner off and remove the plug from the wall outlet before cleaning.

### **Grille and Case**

To clean the case:

- Use water and a mild detergent. Do not use bleach or abrasives.

To clean the front grille:

- Use a vacuum attachment or brush.

### **Air Filter**

The air filter is on the back of the air conditioner.

It should be checked and cleaned at least every 30 days or more often if necessary.

NOTE: DO NOT rinse or put the filter in an automatic dishwasher

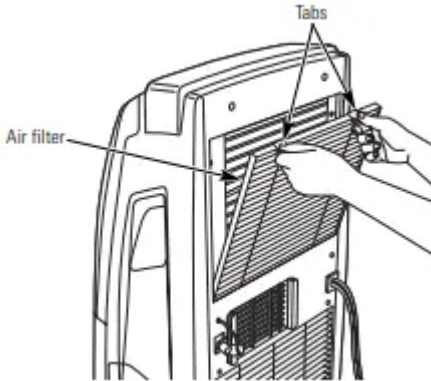
CAUTION: DO NOT operate the air conditioner without the filter because dirt and lint will clog it and reduce performance.

### **To remove:**

Pinch the two filter cover tabs and pull the filter cover out and off. Remove the filter from the cover. Wash it in warm soapy water. Rinse and let the filter dry before replacing it.

### To replace:

Hook the filter back onto the filter cover. Place the bottom of the filter cover onto the lower edge of the filter compartment and close it.



### Cleaning the Coil

After removing the air filter cover, clean the coil with a soft brush when the soil is soft and wet.

NOTE: Do not allow water to enter the electrical/machine compartment through the circular opening behind the coil.

Do not spray the coil with a hose.



### Water Bucket

Every few weeks, rinse the inside of the water bucket with a mild detergent to prevent growth of mold, mildew and bacteria.

**NOTE:** DO NOT rinse or put the water bucket in an automatic dishwasher

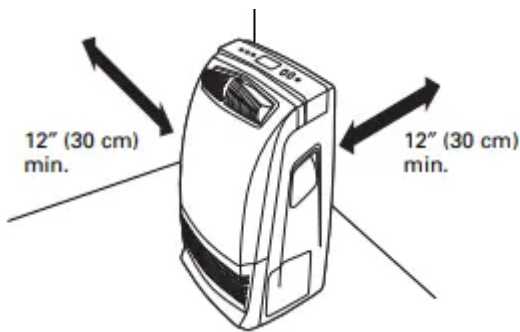


# Installation Instructions

Power cord includes a current interrupter device. A test and reset button is provided on the plug case. The device should be tested on a periodic basis by first pressing the TEST button and then the RESET button. If the TEST button does not trip or if the RESET button will not stay engaged, discontinue use of the air conditioner and contact a qualified service technician.

## 1. CHOOSE A LOCATION

- Place the air conditioner on a smooth, level floor strong enough to support the unit with a full bucket of water.
- Allow at least 12 inches (30 cm) of air space on all sides of the unit for good air circulation.

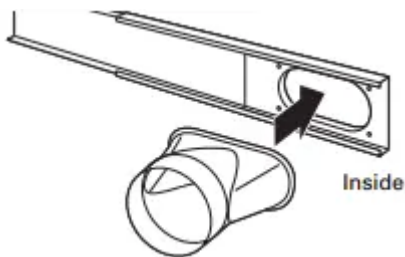


- Place the unit in an area where the temperature will not fall below 65°F (18°C). The coils can become covered with frost at temperatures below 65°F, which may reduce performance.

**NOTE:** The portable air conditioner has rollers to aid placement, but it should only be rolled on smooth, flat surfaces. Do not attempt to roll the portable air conditioner on carpet or over objects.

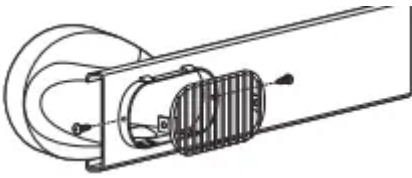
## 2. ATTACH EXHAUST ADAPTER TO WINDOW SLIDER INSIDE OPENING

- Snap the exhaust adapter into the inside opening of the window slider.



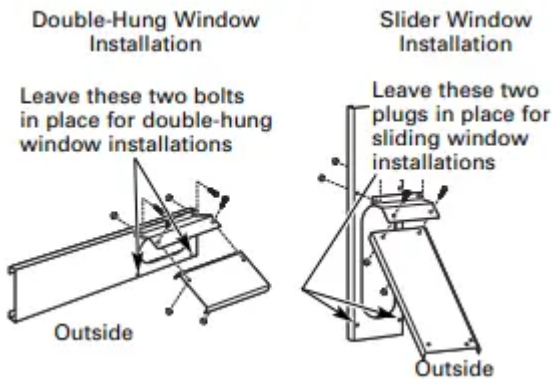
## 3. ATTACH PROTECTIVE SCREEN TO OUTSIDE OF EXHAUST ADAPTER

Use two small wood screws on each side to attach the protective screen onto the outside of the exhaust adapter.



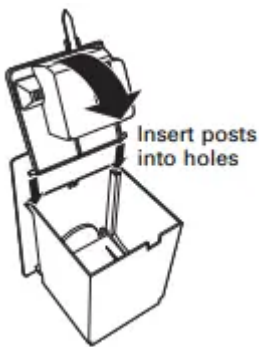
#### 4. INSTALL RAIN DEFLECTOR TO OUTSIDE OF ADJUSTABLE WINDOW SLIDER

Remove the appropriate plugs (save for future use) from the window slider and rain deflector to prepare for either a double-hung window installation or a slider window installation. Line up the holes on the rain deflector and the window slider. Use the four bolts, splitting washers and nuts to attach the rain deflector onto the window slider.



#### 5. INSTALL WATER BUCKET COVER

- A Remove the shipping tape from the side of the unit and remove the water bucket.
- B Pull the cover from the bucket and install it by inserting its posts into the holes.
- C Close the cover and insert bucket into unit.



#### 6. INSTALL WINDOW SLIDER IN WINDOW

A. To allow the window to close properly around the adjustable window slider, for inclined window sill, attach a piece of wood to the sill at the back of the window stool. NOTE: For a flat sill, no wood is needed.

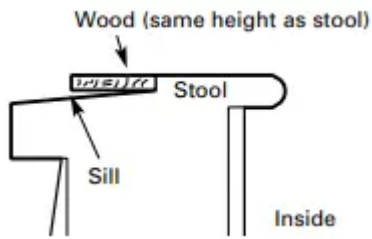
WOOD PIECE—

WIDTH: 1"

LENGTH: Long enough to fit inside the window frame.

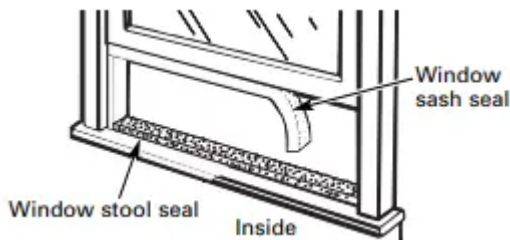
**THICKNESS:** To determine the thickness, place a piece of wood on the sill behind the window stool to make it the same height as the stool.

Attach securely with nails or screws provided by the installer.



B. Cut the window sash seal (adhesivebacked) to the window width and stick the adhesive side to the bottom of the sash.

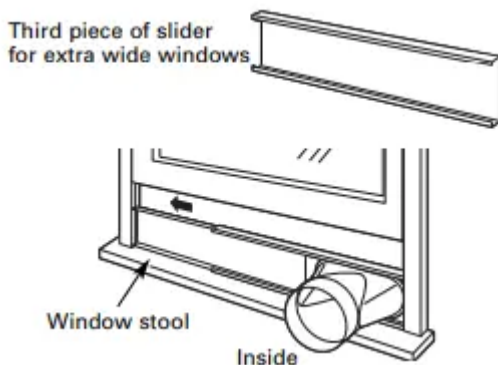
Cut the window stool seal (non-adhesive backed) to the window width and place on the window stool.



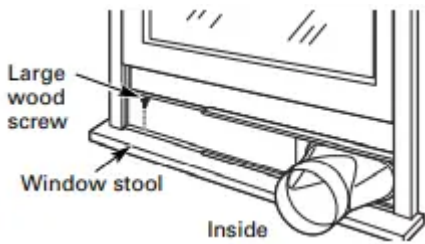
C. If the window slider is shorter than the width of the window, pull the sliding arm out to the width of the window.

If the window slider is longer than the width of the window, cut the slider arm to the width of the window.

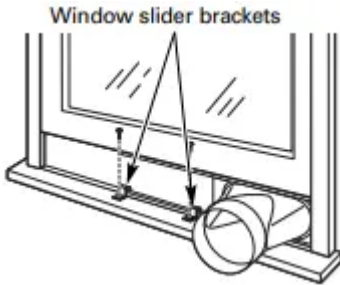
If the two-piece window slider is too short for the width of the window, attach and use the third piece of the slider.



D. Attach the slider to the stool through one of its holes using a large wood screw.



E. Pull the window down against the top of the window slider.

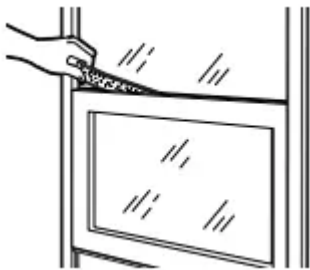


F. Hook the two window slider brackets over the bottom edge of the window slider and attach to the window stool using two large wood screws.

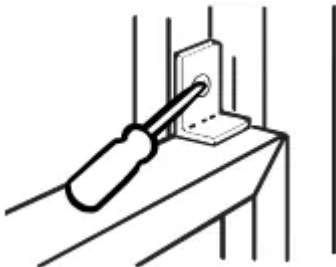
## 7. INSTALL TOP WINDOW GASKET AND WINDOW LOCKING BRACKET

A. Cut the foam top window gasket to the window width.

Stuff the foam between the glass and the window to prevent air and insects from getting into the room.

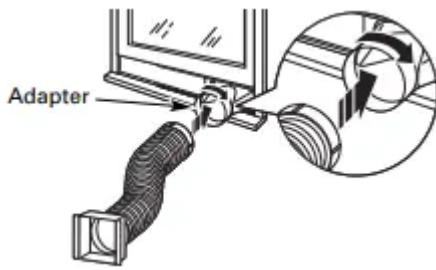


B. Attach the window locking bracket with one large wood screw.



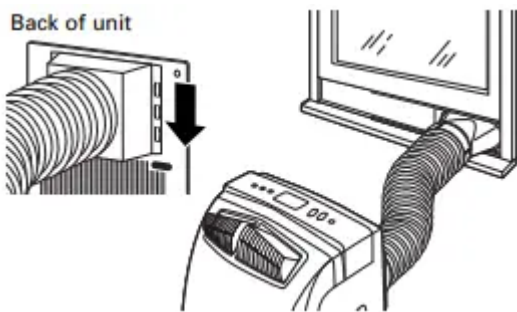
## 8. ATTACH EXHAUST HOSE

A. Insert the round end of the exhaust hose into the exhaust adapter in the window slider and turn it to lock it in place.



B. The exhaust hose must be properly installed to the back of the unit and to the exhaust adapter, and exhausted to the outside when using the unit in the COOL mode by sliding it down in position.

Attach the unit end of the exhaust hose to the back of the air conditioner.



**IMPORTANT:** To ensure proper cooling, do not kink, pinch, shorten or lengthen the exhaust hose. The minimum length of the exhaust hose is 20" (50 cm) and the maximum length of the exhaust hose is 78" (200 cm).



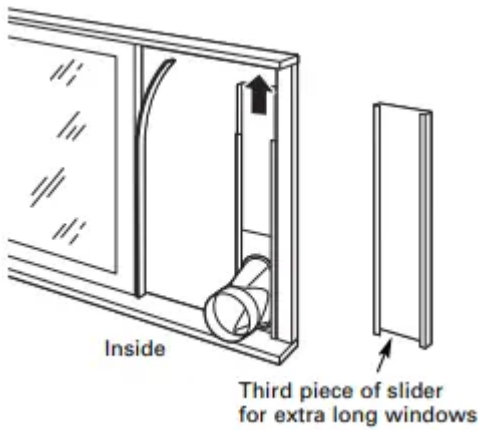
An excessive number of bends in the exhaust hose may compromise the cooling performance.

## 6. INSTALL WINDOW SLIDER IN WINDOW

A. If the window slider is shorter than the height of the window, pull the sliding arm out to the height of the window.

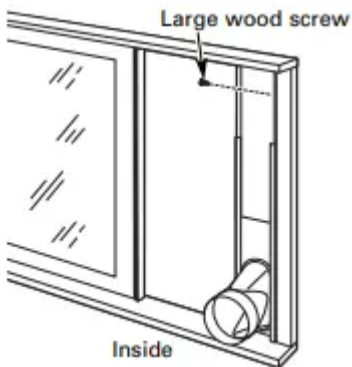
If the window slider is longer than the height of the window, cut the slider arm to the height of the window.

If the two-piece window slider is too short for the height of the window, attach and use the third piece of the slider.



B. Cut the window seal (adhesive-backed) to the window height and stick the adhesive side to the inner window sliding face, as shown above.

C. Attach the top of the slider to the window face using a large wood screw through one of its holes

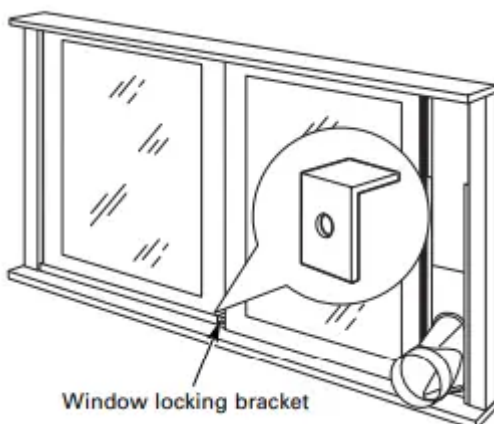


D. Slide the window against the edge of the window slider.

E. If applicable, hook the two window slider brackets over the side edge of the window slider and attach to the inner window sliding face using two large wood screws.

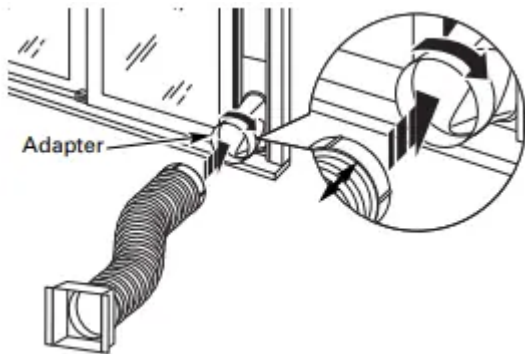
## 7. INSTALL WINDOW LOCKING BRACKET

Attach the window locking



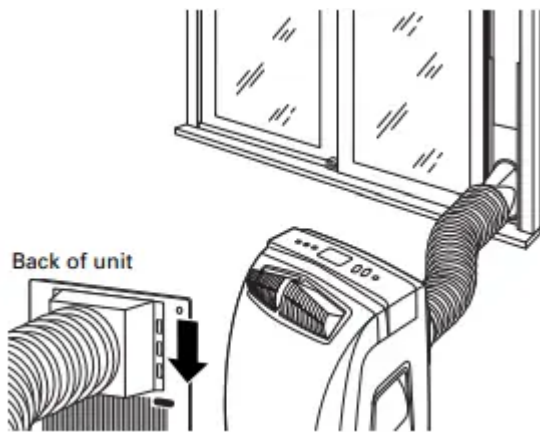
## 8. ATTACH EXHAUST HOSE TO WINDOW SLIDER

A. Insert the round end of the exhaust hose into the exhaust adapter in the window slider and turn it to lock it in place.



B. The exhaust hose must be properly installed to the back of the unit and to the exhaust adapter, and exhausted to the outside when using the unit in the COOL mode by sliding it down in position.

Attach the unit end of the exhaust hose to the back of the air conditioner.



**IMPORTANT:** To ensure proper cooling, do not kink, pinch, shorten or lengthen the exhaust hose. The minimum length of the exhaust hose is 20" (50 cm) and the maximum length of the exhaust hose is 78" (200 cm).

An excessive number of bends in the exhaust hose may compromise the cooling performance.



## Troubleshooting Tips...

### E4 appears in the display

- Water bucket is full or not

Remove, empty and replace the water bucket. See the installed correctly. Using the Water Bucket section and the Installation Instructions in this manual.

- Water bucket was removed while

Replace the water bucket. See the Using the Water Bucket section. unit was operating. NOTE: Replace the water bucket immediately after emptying it to catch any condensation which may continue to accumulate.

### "HEAT" mode is selected but unit does not heat

- If you have a Cool only model heat settings will not be active on your model.

Set the unit to AUTO, COOL, DRY or FAN mode. HEAT mode is not available and will not operate on cool only models.

### Air conditioner does not start

- The air conditioner is unplugged.

Make sure the air conditioner plug is pushed completely into the outlet.

- The fuse is blown/circuit breaker is tripped.

Check the house fuse/circuit breaker box and replace the fuse or reset the breaker

- Power failure.

If a power failure occurs, turn the air conditioner OFF. When power is restored, wait 3 minutes to restart the air conditioner to prevent tripping of the compressor overload.

- The current interrupter device is tripped

Press the RESET button located on the power cord plug.

Press the RESET button located on the power cord plug.

- The remote control is not working.

Try operating the control on the unit. See The remote control is not working below.

### Air conditioner has stopped running

- Power interruption or power failure occurred.

When the power is restored, wait 3 minutes to restart the air conditioner to prevent tripping of the compressor overload. Touch the Power pad and reset the controls to the desired settings.

- Sleep mode or the Timer Off pad has turned off the air conditioner.

Set the air conditioner to the desired setting.

### **Air conditioner does not cool as it should**

- Airflow is restricted.

Make sure there are no curtains, blinds or furniture blocking the inlets located on the left and rear sides of the air conditioner. Make sure there are at least 12" of space on all sides of the unit. Make sure airflow through the vent exhaust is not blocked.

- The temp control may not be set correctly.

In COOL mode, touch the Temp Decrease ▼ pad.

- The air filter is dirty.

Clean the filter at least every 30 days. See the Care and cleaning section.

- The room may have been hot.

When the air conditioner is first turned on, you need to allow time for the room to cool down.

- Cooling coils have iced up.

See "Air conditioner freezing up" below.

### **Air conditioner freezing up**

- Ice blocks the airflow and stops the air conditioner from cooling the room.

The air conditioner will defrost and return to operation on its own.

To defrost the air conditioner more quickly, select the COOL mode and HIGH fan and set the thermostat to a higher temperature.

### **The remote control is not working**

- The batteries are inserted incorrectly

Check the position of the batteries. They should be inserted in the opposite (+) and (-) direction.

- The batteries may be dead.

Replace the batteries.

- The remote control is too far from the air conditioner.

Operate the remote control closer to the air conditioner.

- An object, such as furniture or a towel, is blocking the signal.

Remove the object.

### **Unit does not work after pressing the Power pad**

- The water bucket is full or the water bucket is not properly installed.

Remove water from the water bucket and push the water bucket back in place.

### **Noise or vibration**

- The floor is not level.

Place unit on a flat, level surface.

#### **Warning**

This content is compiled from multiple sources and is provided for reference purposes only. It may not be complete or fully applicable to all situations. If you are unable to resolve your issue, please contact the product manufacturer or an authorized service provider for official support.