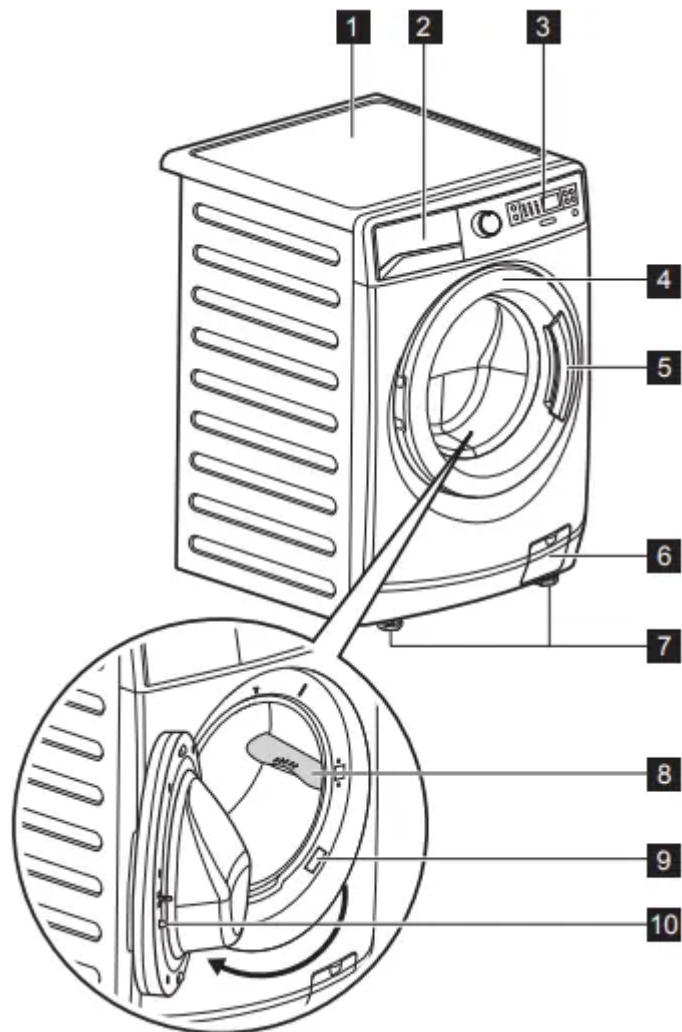
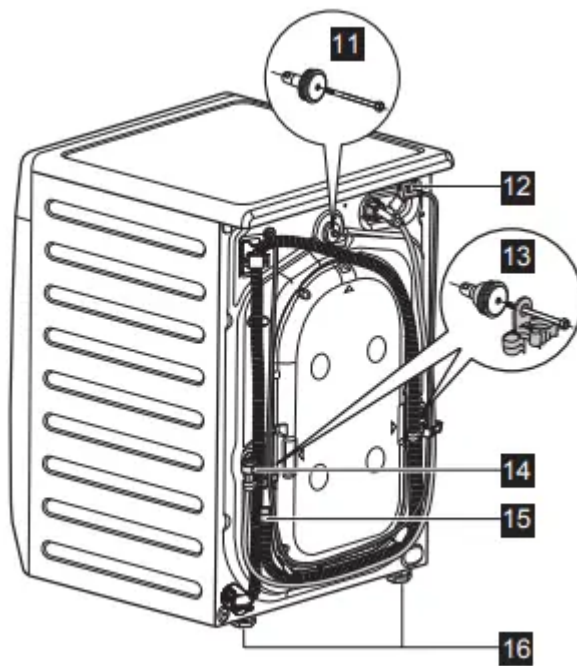


PRODUCT DESCRIPTION





Parts

- 1** Worktop
- 2** Detergent/Softener Dispenser
For more information, see page 17.
- 3** Control Panel
- 4** Door
- 5** Door Handle
- 6** Drain Pump Filter



For more information, see page 28.

- 7** Level Adjustment Feet (Front)
- 8** Drum Lifter
- 9** Rating Label
- 10** Child Safety Device



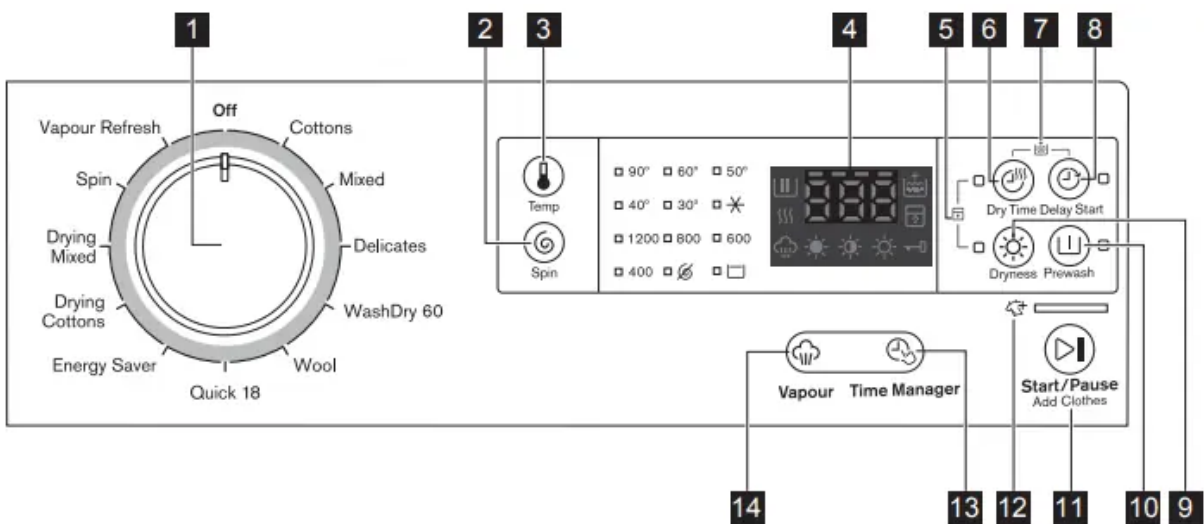
For more information, see page 5.

- 11** Transit Bolt
- 12** Mains Cable
- 13** Transit Bolts + Hose Support
- 14** Water Inlet Hose
- 15** Water Drain Hose
- 16** Level Adjustment Feet (Back)



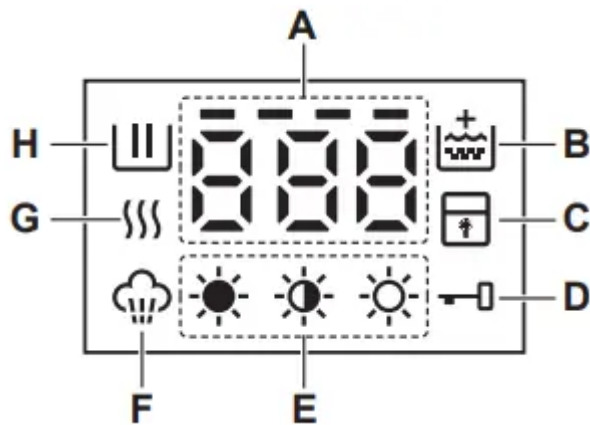
CAUTION! All transit bolts (3 pcs) must be removed before using the appliance.

CONTROL PANEL



- | | |
|--|---|
| 1 Program Selection Knob | 8 Delay Start Touchpad |
| 2 Spin Selection Touchpad | 9 Dryness Touchpad |
| 3 Temperature Selection Touchpad | 10 Prewash Touchpad |
| 4 Display | 11 Start/Pause, Add Clothes Touchpad |
| 5 Child Lock Option (see page 15) | 12 Add Clothes Function Symbol |
| 6 Dry Time Touchpad | 13 Time Manager Touchpad |
| 7 Rinse Plus Option | 14 Vapour Touchpad |

Display



A) Digital

- Wash/Dry Cycle Time
- Delay Start Time
- The alarm codes. Refer to the chapter "Troubleshooting" for their description.
- The level of Time Manager (----).

B) Rinse Plus Icon

C) Child Lock Icon

D) Door Lock Icon

- If it is on, you cannot open the door.
- If it is off, you can open the door.


E) Dryness Level Icon

F) Vapour Icon

G) Drying Status Icon

H) Washing Status Icon

Program Chart

Program ; Temperature range	Max. load (Dry Clothes) ; Max. Spin Speed	Type of load and soil level
Off	-	This position to reset program/switching off the machine.
Cottons ; *¹⁾ to 90°C	7.5 kg (if drying option combined, please reduce to 4.5 kg) ; 1200 rpm	White and coloured cotton. (Adjust wash time according to soil level. See Time Manager table on page 14)
Mixed ; * to 60°C	3.5 kg (if drying option combined, please reduce to 2.5 kg) ; 1200 rpm	Synthetic or mixed fabric items. (Adjust wash time according to soil level. See Time Manager table on page 14)
Delicates ; * to 40°C	3.5 kg ; 1200 rpm	Delicate fabrics such as acrylics, viscose, polyester items. (Adjust wash time according to soil level. See Time Manager table on page 14)
WashDry 60 ; 30 °C, 40 °C	1 kg ; 1200 rpm	Non-Stop washing and drying program for 3 - 5 shirts with lightly soil.
Wool ; * to 40°C	2 kg (if drying option combined, please reduce to 1 kg) ; 1200 rpm	Specially tested program for woollen garments bearing the "Pure new woollen, non-shrink, machine washable" label.
Quick 18 ; 30°C	1.5 kg ; 800 rpm	Lightly soiled synthetics or mixed fabrics.
Energy Saver ; 40°C²⁾	7.5 kg (if drying option combined, please reduce to 4.5 kg) ; 1200 rpm	White and colourfast, cotton with normal soil. Set this program to have a good washing results and decrease the energy consumption. The time of the washing program is extended.
Drying Cottons	4.5 kg ;	Drying program for cotton items.
Drying Mixed	3 kg ;	Drying program for synthetic or mixed fabric items
Spin	7.5 kg (if drying option combined, please reduce to 4.5 kg) ; 1200 rpm	To spin the laundry and drain the water in the drum.
Vapour Refresh	1.5 kg ; Clothes tumble in vapour.	This cycle removes odours and helps to dewrinkle the laundry.  Do not add detergent.

1) Symbol "*" represents Cold water.

2) Energy Saver program with 40degC option selected is recommended to wash a normally soiled cotton load at rated load capacity and is the water and energy rating label program.

Options


Temperature Touchpad

Press this touchpad repeatedly to increase or decrease the wash temperature if you want your laundry to be washed at a temperature different from the one proposed by the washer-dryer.

Spin Selection Touchpad


- No Spin 

No spin option eliminates all the spin phases and increase the number of rinses.

- Rinse Hold 

By selecting this option, the water of the last rinse is not emptied out and the drum turns regularly to prevent the laundry creases. The door is still locked to indicate that the water must be emptied out.




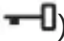
The door stays locked with the water in the drum. To continue the cycle, you must press  (Start/Pause).

Dry Time

If you wish to carry out a timed drying program, keep pressing this touchpad until the desired time is reached.



NOTE




- Maximum allowable timed drying changes based on wash program selected.
- The final time value is the total duration of the washing + detachment + drying cycles.
- At the end of the program the appliance performs the anti-crease phase for approx. 10 minutes. During this time, the display will show time remaining “” and door is locked (.

Dry Time Option Guidelines:

Type of fabric	Load (kg)	Spin Speed (rpm)	Suggested Times (Hrs)
Cotton and linen (bathrobes, bath towels, etc.).	4.5	1200	3 - 4
	2.5 - 4	1200	2 - 3
	2	1200	1 - 2
Synthetic or mixed fabric items (jumpers, blouses, underwear, household linen, etc.).	3	1200	2 - 3
	1	1200	1
Wool and hand washable wool.	1	1200	2

Dryness

Press this touchpad to set dryness level using auto sensing feature. The display will show the selected option.

- Extra dry 
- Cupboard dry 
- Iron dry 

NOTE

- Dryness level settings are based on wash program selected.
- The final time value is the total duration of the washing + detachment + drying cycles, calculated on a default load size.
- At the end of the program the appliance performs the anti-crease phase for approx. 10 minutes. During this time, the display will show time remaining “0” and door is locked (🔒).

Dryness Option Guidelines:

Level of dryness	Type of fabric	Load
Extra Dry Ideal for towels or similar	Cotton and linen (bathrobes, bath towels, etc)	up to 4.5 kg
Cupboard Dry Suitable for items to put away without ironing	Cotton and linen (bathrobes, bath towels, etc)	up to 4.5 kg
	Synthetics and mixed fabrics (jumpers, blouses, underwear, household linen)	up to 3 kg
Iron Dry Suitable for ironing	Cotton and linen (sheets, tablecloths, shirts, etc.)	up to 4.5 kg

Delay Start

This option makes it possible to delay the start of the program by 30 min, 60 min or 90 min and then by every hour from 2 to 19 hours.

The delay you have selected is indicated on the display. The end time will increase in order to show you the selected delay.

You must select this option after you have set the program and before you press the Start/Pause button.

If you wish to add laundry in the machine during the delay time, press Start/Pause touchpad to put the machine in pause mode. Add laundry, close the door and press Start/Pause touchpad again.

You can cancel the delay time at any moment, by pressing “Delay Start” touchpad repeatedly till the display shows delay time “0”, then press the Start/Pause touchpad.

Prewash Touchpad






Select this option if you wish your laundry to be pre-washed before the main wash. Use this option for heavy soil. The indicator of this option will be on.

When you set this function, put the detergent into the “” compartment.

This function increases the program duration.

Rinse Plus Option

This option is recommended for people who are allergic to detergents, and in areas where the water is very soft. Use this option to add two rinse phases to a program.

- To activate this option, press “Dry Time ” and “Delay Start ” touchpads at the same time until the display shows the symbol “” and “Delay Start ” touchpads at the same time until the symbol “

This option remains enabled even after the appliance is switched off.

Time Manager

This option allows you to adjust the wash time. Press this touchpad repeatedly to decrease or increase the wash time according to the soil level of your wash. Use the table below as a guide.

Soil Level	Light	Medium	Normal	Heavy
Wash Level	-	--	---	----

Vapour Touchpad

Select this option to add approximately 30 minutes of tumbling in vapour during the wash cycle. Vapour helps open fabric fibers up to allow laundry additives to release tough stains. The indicator of this option will be on.

NOTE:

- Vapour may not necessarily be visible inside the drum during a vapour wash cycle. Vapour is created below the drum and allowed to naturally rise into the clothes.
- Vapour may not be present during the entire vapour wash cycle.
- Vapour function is more effective with half load.
- At the end of the Vapour cycle, the clothes will be warmer, softer and detached from the drum.





If Vapour option is selected, rinse temperatures will be elevated. During a vapour cycle, you may notice vapour exiting from the drain hose of the washer-dryer, this is normal and there is no cause for alarm.



Settings


Child Safety Lock Option




Your appliance is provided with CHILD SAFETY LOCK which permits you to leave the appliance unsupervised with the door closed without having to worry that children might be injured by or cause damage to the appliance.


 Set this option after pressing the Start/Pause  touchpad.

To set “Child Lock” option:

- To activate the function, press “Dry Time  and Dryness ” touchpads at the same time until the display shows the symbol “”.


 The touchpads are locked.

- To deactivate the function, press “Dry Time  and Dryness ” touchpads at the same time until the symbol “” goes off.

 This function remains enabled even after the appliance is switched off.

Enabling/Disabling End-Of-Wash Buzzer


This setting permits you to either enable or disable the buzzer at the end of the program. As an example, you might wish to disable this buzzer when you start a wash when going to bed, so that when the wash finished approximately 1 hour later, it will not disturb you through the night.

 Error warning beeps such as critical faults are not disabled.

To disable the buzzer sound, press “Dryness  and Prewash ” touchpads at the same time for 3 seconds, and listen for “BEEP, BEEP”.

To return to default configuration press these 2 touchpads at the same time for 3 seconds, and listen for “BEEP”.

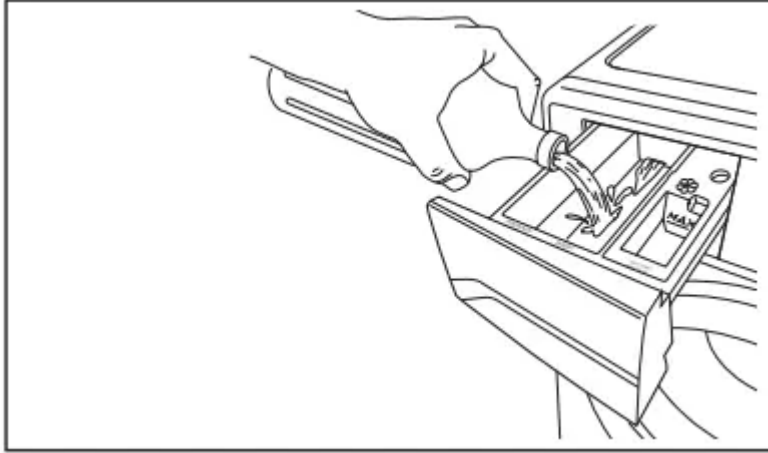
BEFORE FIRST USE

 During installation or before first use you may observe some water in the machine. This is a residual water left in the machine after a full functional test in the factory to ensure the machine is delivered to customers in perfect working order and is no cause for concern.

1. Ensure that the electrical and water connections comply with the installation instructions.

2. Put 2 litres of water in the detergent compartment for washing phase. This activates the drain system.

3. Select a Cottons cycle at 90 °C, without any laundry in the machine, to remove any manufacturing residue from the drum and tub then start the machine.



DAILY USE - WASHING (Only)

Loading The Laundry

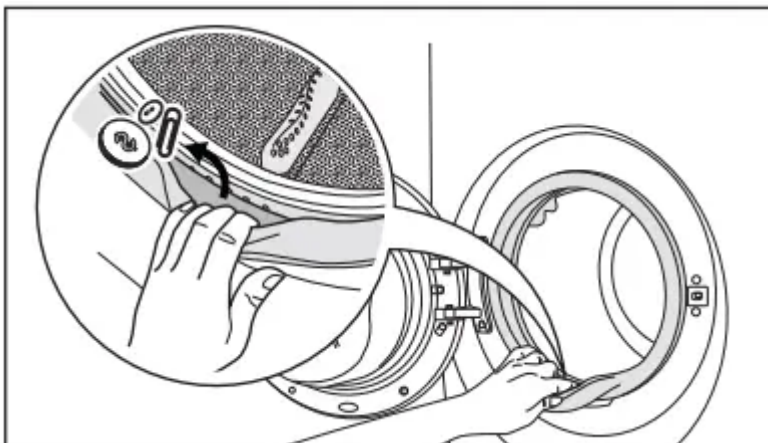
1. Turn the water tap on.
2. Connect the main plug to the main socket.
3. Turn the knob to set a program. The washer-dryer will propose a temperature and automatically select the spin value provided for the program you have chosen.

The selector knob can be turned either clockwise or anticlockwise.

Position "Off" to reset program/ switching OFF the machine.

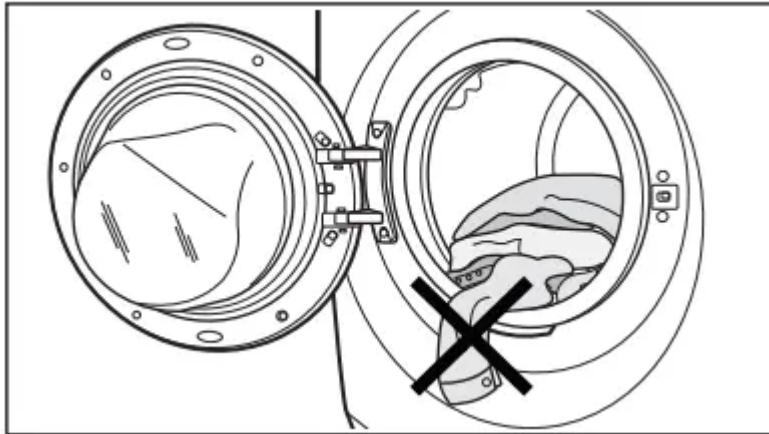
At the end of the program the selector dial must be turned to position "Off", to switch the machine off.

4. Check and remove objects (if there are any) that could be trapped in the fold.



5. Place the laundry in the drum, one item at a time, shaking them out as much as possible. (Refer to page 23 “WASHING & DRYING HINTS”)
6. Close the door.

CAUTION Make sure that no laundry remains between the seal and the door.

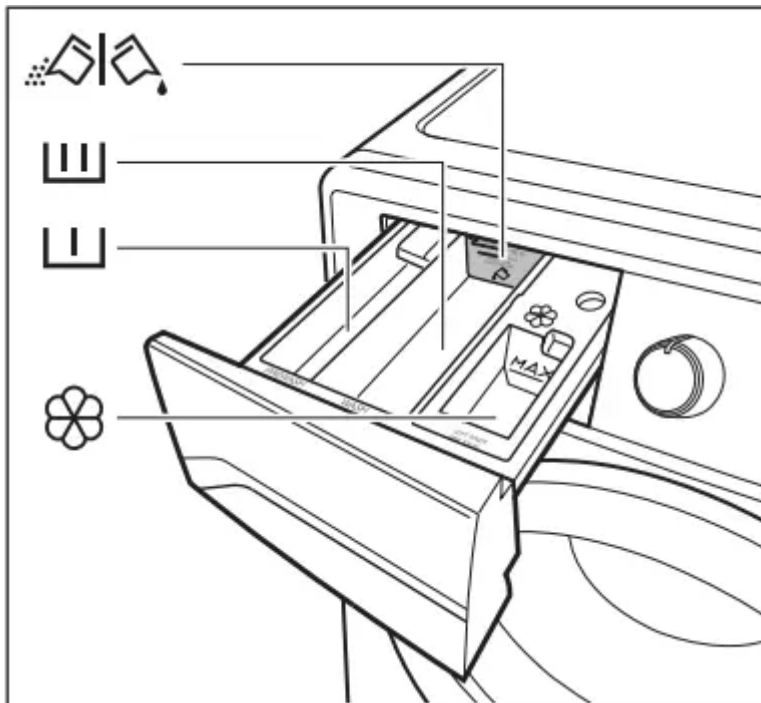



Using Detergent And Additives



IMPORTANT: Please read “Detergents Type and Quantity of Detergent” on page 24 before use.


1. Detergent Dispenser Drawer

The detergent dispenser is divided into three compartments.

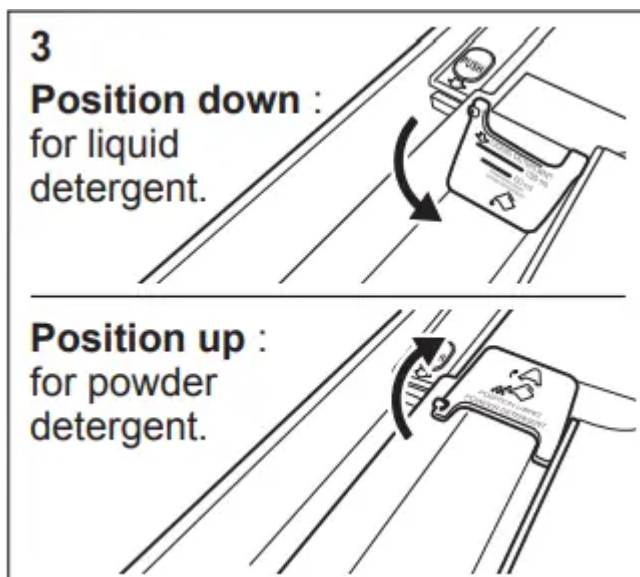
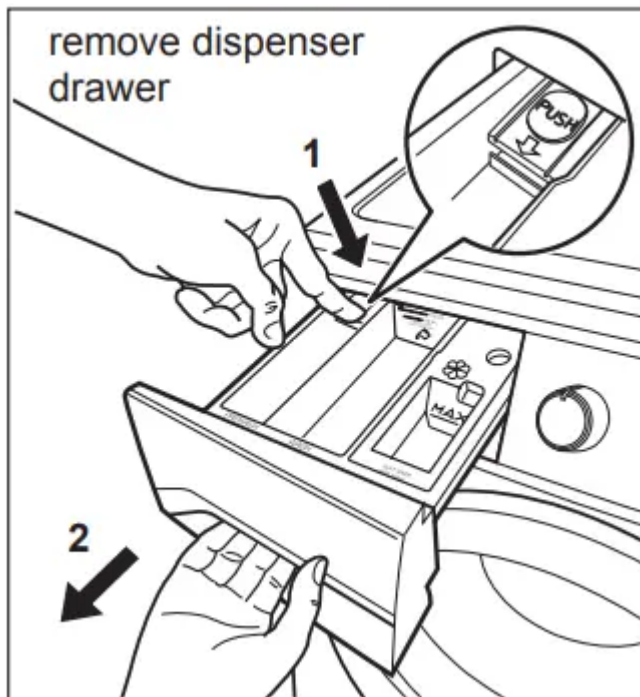


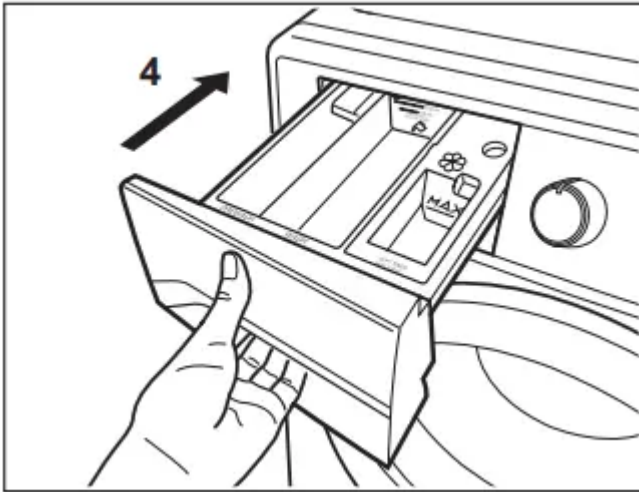
-  Compartment “MAIN WASH” This compartment is used for detergent on all programs.

-  Compartment "PREWASH" This compartment is only used for detergent when a Prewash is selected.
-  Compartment "SOFTENER" This compartment is used for fabric conditioner and starching agent.

 Detergent flap

Flap for powder or liquid detergent.







When you use the liquid detergent:

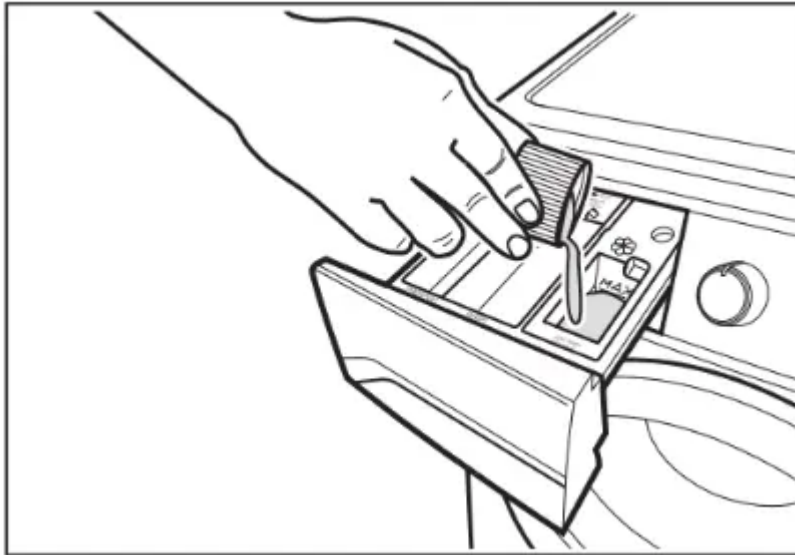
- Do not use gelatinous or thick liquid detergents.
- Do not put more liquid than the maximum level.
- Do not set the “Prewash” phase.
- Do not set the “Delay Start”.

2. Measure out the detergent and the fabric softener;

- Pull out the dispenser drawer until it stops.
- Measure out the amount of detergent required, pour it into the main wash compartment.



- If you wish to carry out the “Prewash” phase, pour it into the compartment marked “”.
- If required, pour fabric softener into the compartment marked “”.






i The amount used must not exceed the “MAX” mark in the drawer.

If you use thick softeners it is recommended to dilute with water.

- Close the drawer gently.


i Residues of detergent, softener and water may remain in the dispenser. It is recommended to clean the dispenser regularly to remove any residue.

DAILY USE - DRYING (Only)

1. Turn the water tap on.
2. Connect the main plug to the main socket.
3. Load the laundry.
4. Select the drying program, “Drying Cottons” for cotton items or “Drying Mixed” for synthetic or mixed fabric items.
5. Select a spin cycle at the maximum spin speed allowed for the type of laundry in order to obtain the best drying performance.
6. If you wish to select an automatic drying, press the “Dryness ” option until the icon corresponding to the required dryness level appears on the display. (see page 13)
7. If you wish to select a timed drying, press the “Dry Time ” option repeatedly until desired drying time reached. (see page 13)
8. Press “Start/Pause ” to start the program. The time remaining is updated every minute.
9. At the end of the program :
 - The acoustic signal will operate.


- The display will show time remaining “0”.
- The indicator “||||” (drying icon) is still flashing.
- The door lock indicator (🔒) is still on.
- The appliance will perform the anticrease phase for approximately 10 minutes.
- After anti-crease phase finish, the door lock indicator (🔒) goes off.
- The indicator “||||” (drying icon) stops flashing.
- If you wish to open the door during the anti-crease phase or interrupt it, press any button.


10. turn the program selector knob to the position “Off” to deactivate the appliance.

11.  At the end of each drying cycle, the temperature of your clothing will be high. For your safety, please leave the door open to let your clothes cool before removing your laundry.

DAILY USE - WASHING & DRYING




NON-STOP program: Washing Program + Dryness Option

1. Load the laundry.
2. Add detergent and fabric softener.
3. Turn the knob to set a wash program you require.
4. Select the required options by pressing the relevant touchpads. If possible, do not select a spin speed lower than that proposed by the machine to avoid unnecessary longer drying time therefore saving energy.
5. Set the dryness level by pressing “Dryness ”. The display will then show the whole duration of wash & dry cycle.
6. Start the program by pressing Start/Pause touchpad. The time remaining is updated every minute on the display.
7. At the end of the program turn the program selector knob to the position “Off” to deactivate the appliance.


 At the end of each drying cycle, the temperature of your clothing will be high. For your safety, please leave the door open to let your clothes cool before removing your laundry.

NOTE

- If you wish to open the door during the anti-crease phase or interrupt it, press any button.
- Some drying level options are not available for some programs.

- When “Iron Dry ” option is selected, the display time will be adjusted after approximately 15 minutes from the start of the program, based on the laundry type and load size. The display will show the new adjusted time.
- When “Cupboard Dry ” or “Extra Dry ” is selected the display time will be adjusted towards the end of the drying cycle when machine senses required dryness level has been achieved. In case of laundry quantity lower than maximum load capacity, the time remaining can suddenly decrease from e.g. approximately 50 minutes to 0.

NON-STOP program: Washing Program + Dry Time Option

1. Load the laundry and add detergent and fabric softener.
2. Turn the knob to set a wash program you require.
3. Select the required options by pressing the relevant touchpads. If possible, do not select a spin speed lower than that proposed by the machine to avoid unnecessary longer drying time therefore saving energy.
4. Set the drying time by pressing “Dry Time ” touchpad repeatedly until desired drying time reached. The display will then show the whole duration of wash & dry cycle.
5. Start the program by pressing Start/Pause touchpad. The time remaining is updated every minute on the display.
6. At the end of the program turn the program selector knob to the position “Off” to deactivate the appliance.



At the end of each drying cycle, the temperature of your clothing will be high. For your safety, please leave the door open to let your clothes cool before removing your laundry.



NOTE

- If you wish to open the door during the anti-crease phase or interrupt it, press any button.
- If you set only 15 minutes of drying, the appliance performs only a cooling phase.

CARE AND CLEANING



WARNING! You must DISCONNECT the appliance from the electricity supply, before you can carry out any cleaning or maintenance work.

External Cleaning

Clean the appliance only with soap and warm water. Fully dry all the surfaces.



CAUTION! Do not use alcohol, solvents or chemical products.

Descaling

The water we use normally contains lime. It is a good idea to periodically use a water softening powder in the machine.

Do this separately from any laundry washing, and according to the softening powder manufacturer's instructions.

This will help to prevent the formation of lime deposits.

After Each Wash


Leave the door open for a while. This helps to prevent mould and stagnant smells forming inside the appliance. Keeping the door open after a wash will also help to preserve the door seal.

Maintenance Wash

With the use of low temperature washes it is possible to get a build up of residues inside the drum.

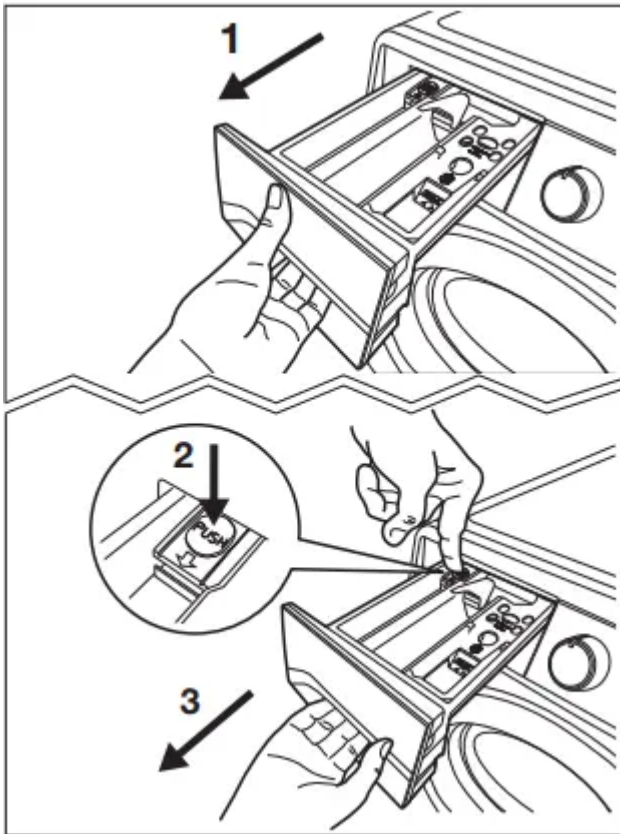
We recommend that a maintenance wash be performed on a regular basis.

To run a maintenance wash:

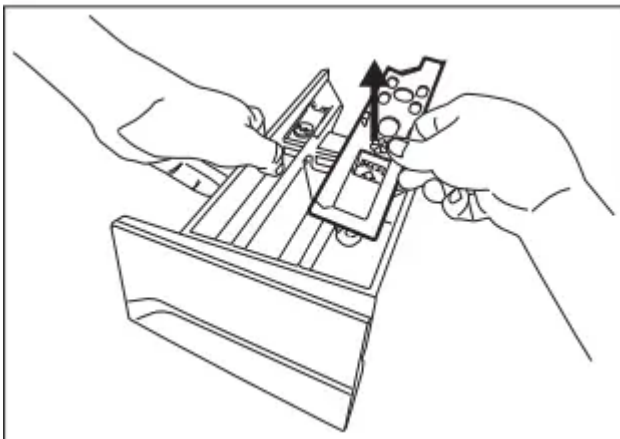
- The drum should be empty of laundry.
- Select the hottest cotton wash program.
- Use a normal measure of detergent, must be a powder with biological properties.
- Press "Start/Pause " to start the program.

Cleaning The Dispenser Drawer

The washing powder and additive dispenser drawer should be cleaned regularly. Remove the drawer by pressing (PUSH) the catch downwards and by pulling it out. Flush it out under a tap, to remove any traces of accumulated powder.

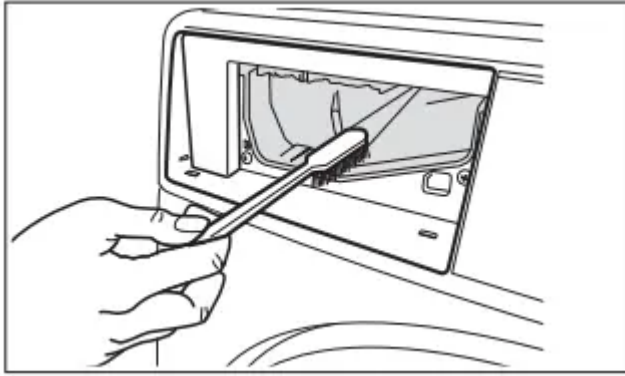


To aid cleaning, the top part of the additive compartment should be removed.



Cleaning The Drawer Recess

Having removed the drawer, use a small brush to clean the recess, ensuring that all washing powder residue is removed from the upper and lower part of the recess. Replace the drawer and run the rinse program without any clothes in the drum.



Cleaning The Pump



Regularly examine the drain pump and make sure that it is clean.

Clean the pump if:

- The appliance does not drain the water.
- The drum cannot turn.
- The appliance makes an unusual noise because of the blockage of the drain pump.
- The display shows an alarm code because of the problem with water drain.

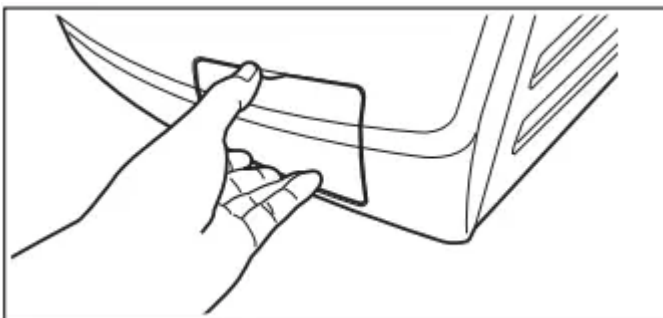


WARNING!

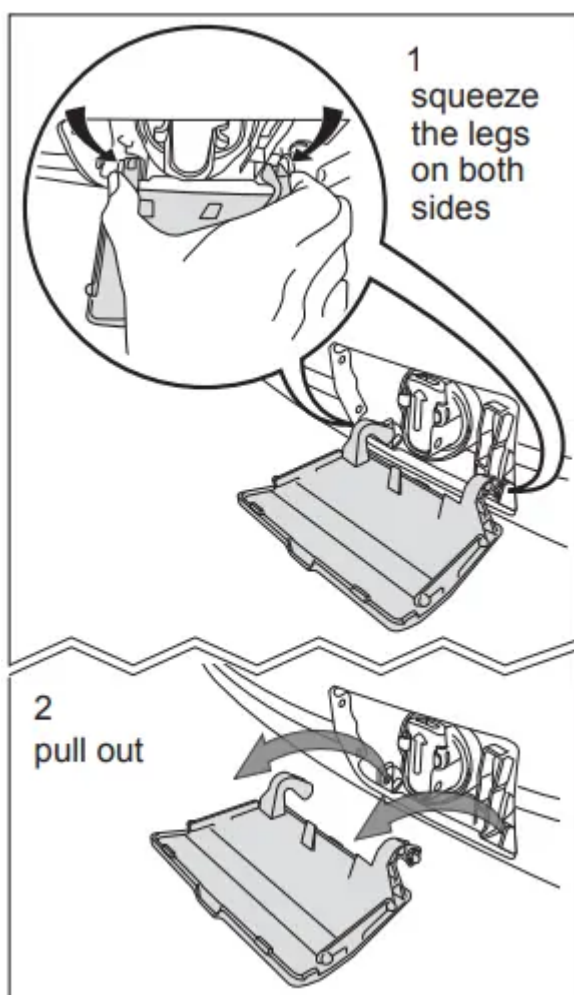
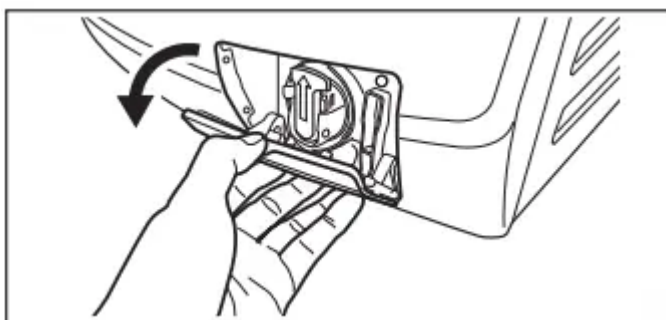
1. Disconnect the mains plug from the mains socket.
2. Do not remove the filter while the appliance is operating. Do not clean the drain pump if the water in the appliance is hot. The water must be cold before you clean the drain pump.

To clean the drain pump:

1. Open the drain pump door.

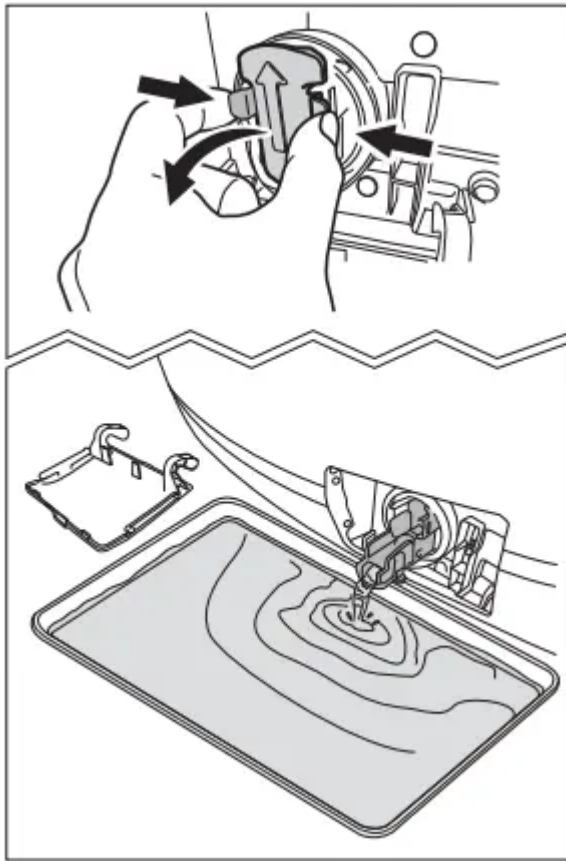


2. Pull the flap down, then squeeze the legs on both sides of the cover together and pull out (as picture).

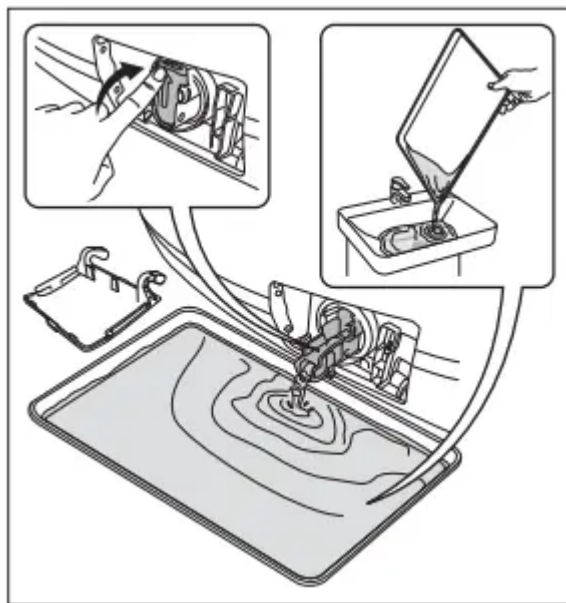


3. Place a suitable water container below the recess of the drain pump to collect the water that flows out.

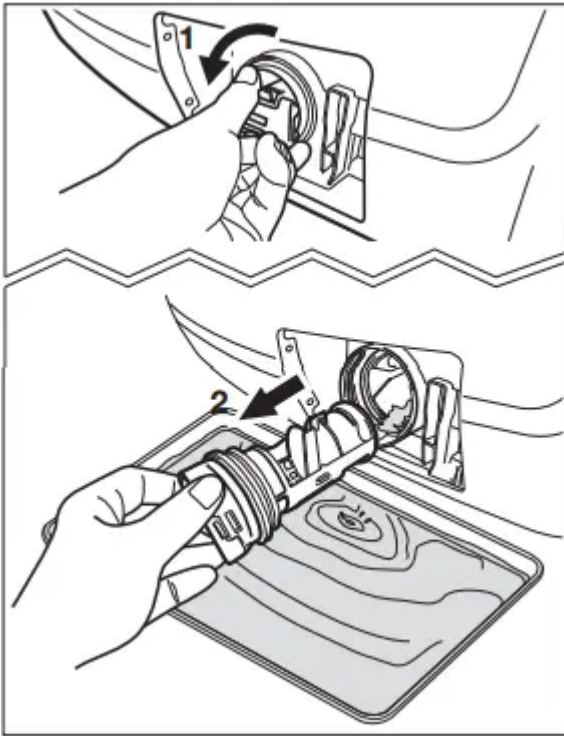
Press the two levers and pull forward the drainage duct to let the water flow out.



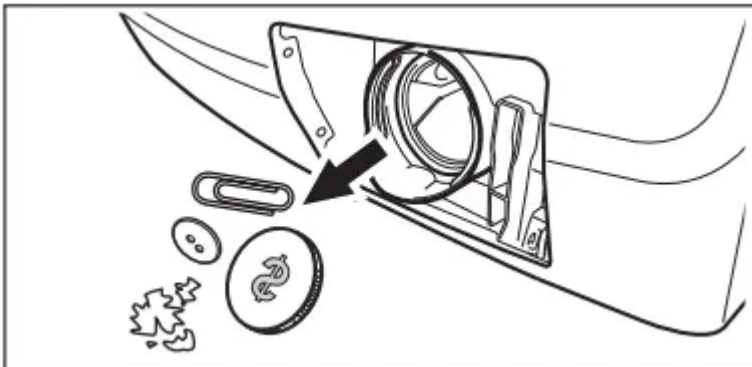
4. When the container is full of water, put the drainage duct back again and empty the container. Do step 3 again and again until no more water flows out from the drain pump.



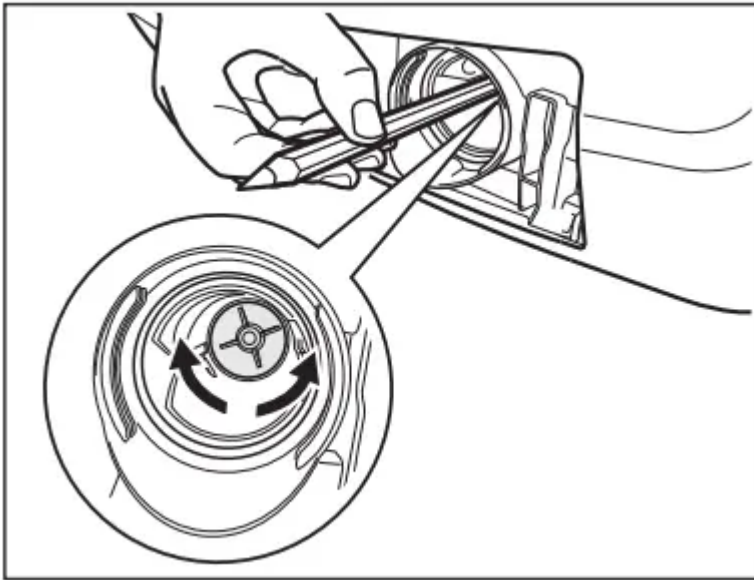
5. Pull back the drainage duct and turn the filter counter-clockwise to remove it.



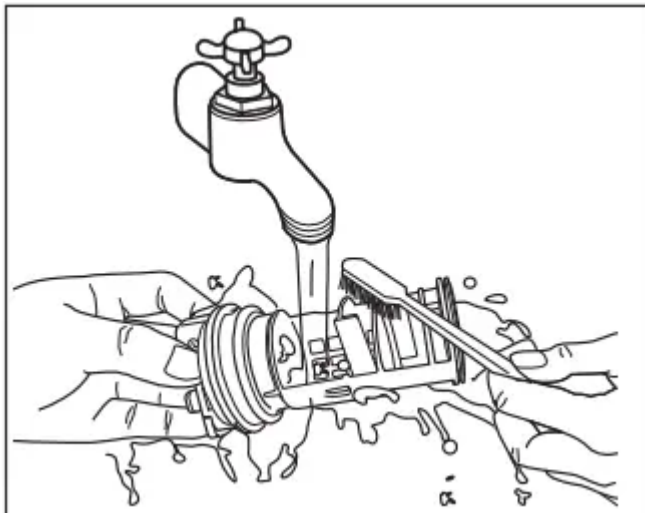
6. Remove fluff and objects from the pump (if there are any).



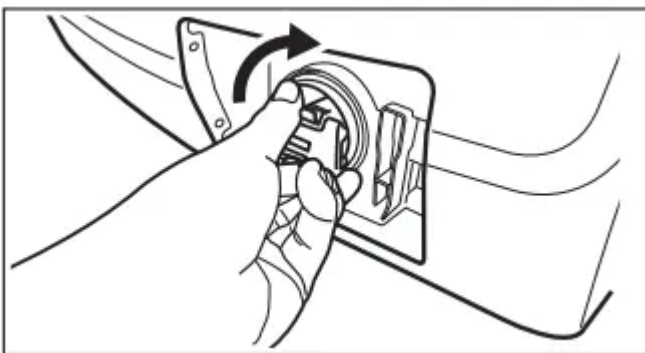
7. Make sure that the impeller of the pump can turn. If this does not occur, contact the service centre.



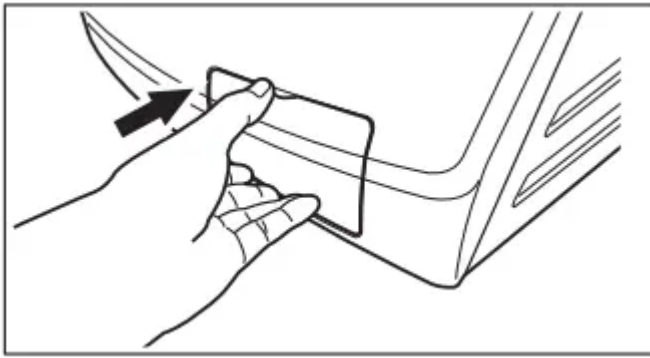
8. Clean the filter under the water tap.



9. Put the filter back in the pump. Make sure that you correctly tighten the filter to prevent leakages.



10. Put the flap back and close the drain pump door.

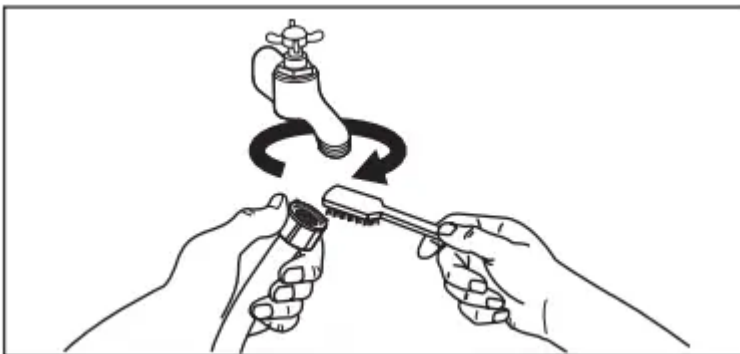


Cleaning The Water Inlet Filter

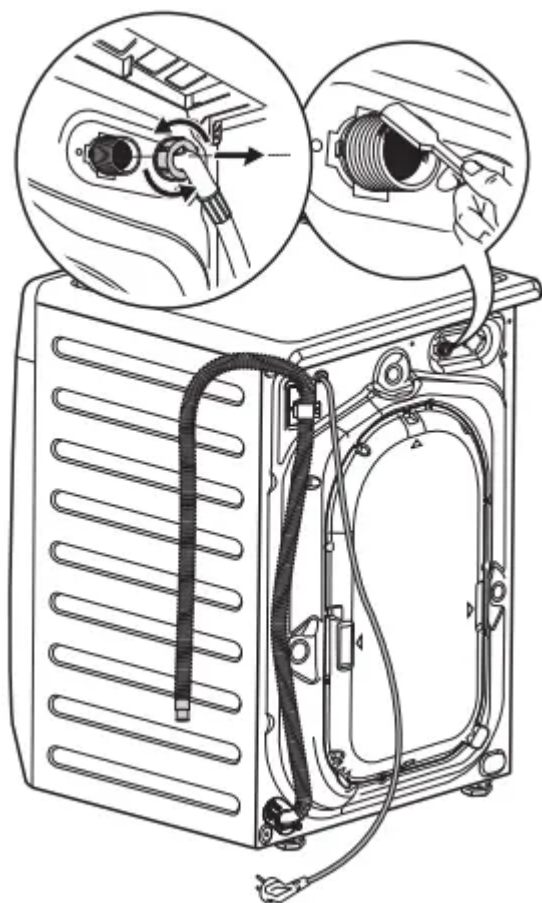
If your water is very hard or contains traces of lime deposit, the water inlet filter may become clogged. It is therefore a good idea to clean it from time to time.

To clean the water inlet filters:

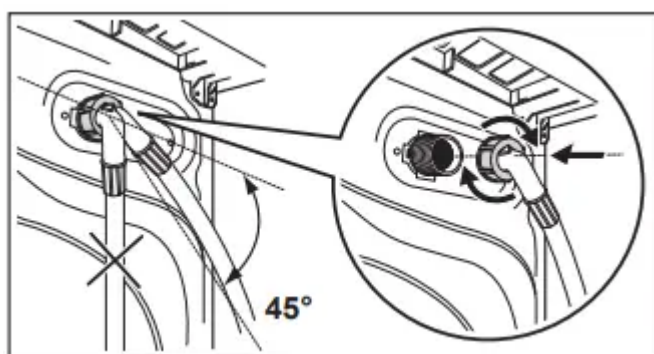
1. Close the water tap.
2. Remove the water inlet hose from the water tap.
3. Clean the filter in the inlet hose with a stiff brush.



4. Remove the inlet hose behind the appliance.
5. Clean the filter in the valve with a stiff brush or a towel.



6. Install the inlet hose again. Make sure that the couplings are tight to prevent leakages.



7. Open the water tap.

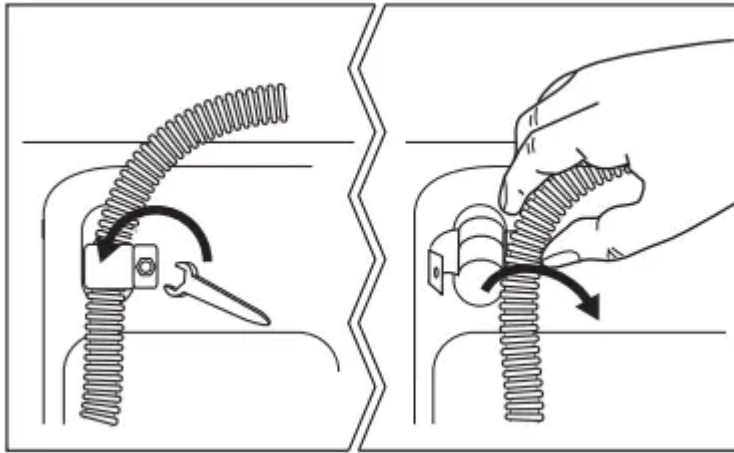
Frost Precautions

If the appliance is installed in an area where the temperature can be less than 0 °C, remove the remaining water from the inlet hose and the drain pump.

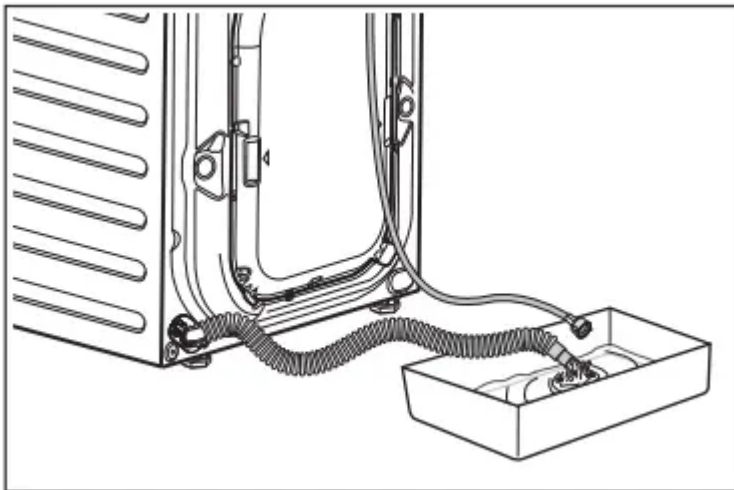
Emergency Drain

1. Disconnect the main plug from the main socket. Turn off the water tap.
2. Remove the water inlet hose.

3. Remove the drain hose from the rear support and unhook it from sink or spigot.



4. Put the end of the drain and inlet hose in a container. Let the water flow out of the hoses.



5. When no more water flows, install the inlet hose and the drain hose again.

NOTE Make sure that the temperature is more than 0 °C before you use the appliance again.

TROUBLESHOOTING

Possible Failures

Certain problems are due to lack of simple maintenance or oversights, which can be solved easily without calling out an engineer. Before contacting your local Service Centre, please check possible cause of malfunction and solution listed below.

Once the problem has been eliminated, press the Start/Pause button to restart the program. If after all checks, the problem persists, contact your local Service Centre.

WARNING! Deactivate the appliance before you do the checks.

Alarm Code:

	The appliance does not fill with water properly.
	The appliance does not drain the water.
	The appliance door is open or not closed correctly. Please check the door!
	The main supply is unstable. Wait until the main supply is stable.
	No communication between electronic elements of the appliance. Switch off and switch on again.

Malfunction	Possible cause => Solution
The washerdryer does not start:	The door has not been closed. (Error code: E40) => Close the door firmly.
	The plug is not properly inserted in the power socket. => Insert the plug into the power socket.
	There is no power at the socket. => Please check your domestic electrical installation.
	The Start/Pause touchpad has not been pressed. => Press the Start/Pause touchpad.
	The "Delay Start" has been selected. => If the laundry are to be washed immediately, cancel the "Delay Start".
	The Main supply is unstable. (If E40 appears in the display.) => Wait until the main supply is stable. Appliance will start automatically.
The machine does not fill the water:	The water tap is closed. (Error code: E10) => Open the water tap.
	The inlet hose is squashed or kinked. (Error code: E10) => Check the inlet hose connection.
	The filter in the inlet hose is blocked. (Error code: E10) => Clean the water inlet hose filter.
	The door is not properly closed. (Error code: E40) => Close the door firmly.
The machine fills then empties immediately:	The end of the drain hose is too low. (Error code: E10) => Refer to relevant paragraph in "water drainage" section.
The machine does not empty and/or does not spin:	The drain hose is squashed or kinked. (Error code: E20) => Check the drain hose connection.

	<p>The drain pump is clogged. (Error code: E20) => Clean the drain filter.</p> <p>The option "Rinse Hold" has been selected. => Press Start/Pause touchpad to drain the water or select spin program.</p> <p>The laundry is not evenly distributed in the drum. => Pause the machine and redistribute laundry manually.</p>
There is water on the floor:	<p>Too much detergent or unsuitable detergent (creates too much foam) has been used. => Reduce detergent quantity and use correct type of detergent (refer page 24).</p> <p>Check whether there are any leaks from one of the inlet hose fittings. It is not always easy to see this as the water runs down the hose; check to see if it is damp. => Check the water inlet hose connection.</p> <p>The drain hose is damaged. => Call Service.</p>
Unsatisfactory washing results:	<p>Too little detergent or unsuitable detergent has been used. => Increase detergent quantity or use different detergent (refer page 24).</p> <p>Stubborn stains have not been treated prior to washing. => Use commercial products to treat the stubborn stains.</p> <p>The correct temperature was not selected. => Check if you have selected the correct temperature.</p> <p>Excessive laundry load. => Reduce load.</p>
The door will not open:	<p>The program is still running. => Wait until the end of cycle.</p> <p>There is water in the drum. => You must drain the water to open the door (refer "Opening The Door" on page 19).</p> <p>This problem may be caused by a failure of the appliance. => Contact Service. If you need to open the door, please read carefully "Emergency door opening" on next page.</p>
The machine vibrates or is noisy:	<p>The transit bolts and packing have not been removed. => Check the correct installation of the appliance.</p>

	<p>The support feet have not been adjusted. => Check the correct levelling of the appliance.</p>
	<p>The laundry is not evenly distributed in the drum. => Pause the machine and redistribute laundry manually.</p>
	<p>There is very little laundry in the drum. => Load more laundry.</p>
	<p>Unstable floors eg. wooden floors. => Refer to relevant paragraph in "Positioning" section.</p>
Cycle time longer than displayed:	<p>Detergent over dose. => Reduce the detergent quantity or use another one. (Refer page 24 "Detergents Type And Quantity Of Detergent").</p>
	<p>Machine unbalance. => Redistribute laundry manually in the drum and start the spin phase again.</p>
The cycle is shorter than the time displayed.	<p>The appliance calculated a new time according to the laundry load.</p>
Spinning starts late or the machine does not spin:	<p>The electronic unbalance detection device has cut in because the laundry is not evenly distributed in the drum. The laundry is redistributed by reverse rotation of the drum.</p> <p>This may happen several times before the unbalance disappears and normal spinning can resume. If, after 10 minutes, the laundry is still not evenly distributed in the drum, the machine will not spin. In this case, redistribute the load manually and select the spin program.</p> <p>=> Pause the machine and redistribute laundry manually.</p>
The machine makes an unusual noise:	<p>Machine not installed properly. => Make sure the levelling of the appliance is correct. Refer to "Installation".</p>
	<p>Transit bolts or packaging not removed. => Make sure that the packaging and/or the transit bolts are removed. Refer to "Unpacking".</p>
	<p>The load may be too small. => Add more laundry in the drum.</p>

No water is visible in the drum:	Machines based on modern technology operate very economically using very little water without affecting performance.
The machine does not dry or does not dry properly:	<p>The “Dry Time” or the “Dryness” degree has not been selected. => Select the drying time or the dryness degree.</p> <p>The water tap is not turned on. (Error code: E10) => Open the water tap.</p> <p>The drain filter is clogged. (Error code: E20) => Clean the drain filter.</p> <p>The machine is overloaded. => Reduce the laundry load in the drum.</p> <p>The selected drying program, time or dryness degree was not suitable for the laundry. => Select the suitable drying program, time or dryness degree for the laundry.</p>
Display time is frozen at the end of drying cycle for more than 30 minutes:	Machine is optimizing the drying cycle according to the laundry type and load size. It will vary for each kind of fabric as the water absorption is different. => This is a normal behavior of the machine and not a cause for concern as it does not compromise its performance.

Emergency Door Opening

In case of power failure or appliance failure, the appliance door remains locked. The wash program continues when power is restored. If the door remains locked in case of failure, it is possible to open it using the emergency unlock feature.

Before Opening The Door:



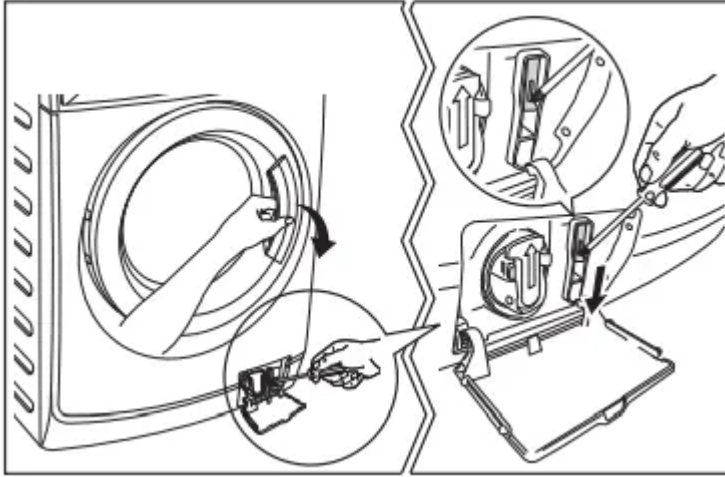
WARNING!

- Make sure that the water temperature and the laundry are not hot. Wait until they cool down if necessary.
- Make sure that the drum is not rotating. Wait until the drum stops rotating if necessary.
- Make sure that the water level inside the drum is not too high. If necessary, perform an Emergency Drain (see page 30).

To open the door proceed as follows:

1. Turn the program selector dial to “Off” to switch the appliance off.

2. Disconnect the main plug from the main socket.
3. Open the filter flap.
4. While pulling the emergency unlock strap (red strap) downward, pull the door handle to open the door.

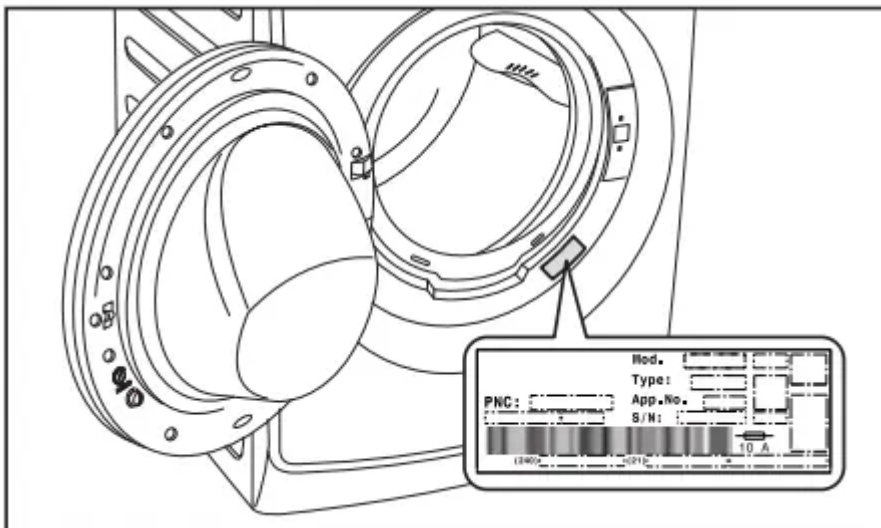


5. Take out the laundry.
6. Close the filter flap.



If you are unable to identify or solve the problem, contact our service centre.

Before calling service centre, make a note of the model, serial number and purchase date of your machine: the Service Centre will require this information.



Warning

This content is compiled from multiple sources and is provided for reference purposes only. It may not be complete or fully applicable to all situations. If you are unable to resolve your issue, please contact the product manufacturer or an authorized service provider for official support.

Document generated by [ManualsFile](#)