

Safety information

CRITICAL USAGE WARNINGS

- Do not insert the power plug into a wall socket with wet hands.
- Do not store articles on the top of the appliance.
- When you open or close the door, the articles may fall and cause personal injury and/or material damage.
- Do not insert hands, feet or metal objects (such as knives, etc.) into the bottom or the back of the refrigerator.
- This may result in an electric shock or injury.
- Any sharp edges may cause a personal injury
- Do not put a container filled with water on the refrigerator.
- If spilled, there is a risk of fire or electric shock.
- Children should be supervised to ensure that they do not play with the appliance.
- Keep fingers out of “pinch point” areas.
- Clearances between the doors and cabinet are necessarily small. Be careful when you open the doors if children are in the area.
- Do not let children hang on the door.
- A serious injury may occur.
- Do not let children go inside the refrigerator.
- They could become trapped.
- Do not insert your hands into the bottom area under the appliance.
- Any sharp edges may cause personal injury.
- Do not let children step on a drawer cover.
- The drawer may break and cause them to slip.
- Do not overfill the refrigerator with food.

INSTALLATION CAUTIONS

- Allow sufficient space around the refrigerator and install it on a flat surface.
- Keep the ventilation space in the appliance enclosure or mounting structure clear of obstructions.
- Allow the appliance to stand for 2 hours before loading foods after installation and turning on.

- We strongly recommend you have a qualified technician or service company install the refrigerator.
- Failing to do so may result in an electric shock, fire, explosion, problems with the product, or injury
- Do not let children hang on the door.
- A serious injury may occur.
- Do not let children go inside the refrigerator.
- They could become trapped.
- Bottles should be stored tightly together so that they do not fall out.
- This product is intended only for the storage of food in a domestic environment.
- If a gas leak is detected, avoid any naked flames or potential sources of ignition, and air the room in which the appliance is standing for several minutes.

CLEANING CAUTIONS

- Do not spray water directly on the inside or outside the refrigerator.
- There is a risk of fire or electric shock.
- Do not use a hair dryer to dry the inside of the refrigerator.
- Do not place a lighted candle in the refrigerator to remove bad odors.
- This may result in an electric shock or fire.
- Use a clean, dry cloth to remove any foreign matter or dust from the power plug blades.
- Do not use a wet or damp cloth when cleaning the plug.
- Otherwise, there is a risk of fire or electric shock.
- Before cleaning or performing maintenance, unplug the appliance from the wall socket.
- Failing to do so may result in an electric shock or fire.
- Use a clean sponge or soft cloth and a mild detergent in warm water to clean the refrigerator.
- Do not use abrasive or harsh cleansers such as window sprays, scouring cleansers, flammable fluids, muriatic acid, cleaning waxes, concentrated detergents, bleaches, or cleansers containing petroleum products on exterior surfaces (doors and cabinet), plastic parts, door and interior liners, and gaskets.
- These can scratch or damage the material.
- Do not clean glass shelves or covers with warm water when they are cold. Glass shelves and covers may break if exposed to sudden temperature changes or impacts such as bumping or dropping.

Setting up your French Door Refrigerator

GETTING READY TO INSTALL THE REFRIGERATOR

Congratulations on your purchase of the Samsung refrigerator. We hope you enjoy the state-of-art features and efficiencies that this new appliance offers.

01 Auto Ice Maker

02 Wine Rack *

03 EZ Fresh Vegetable & Fruit Drawers

04 Fridge Multi-Purpose Guard

05 Easy Slide-Shelf

06 Dry Food and Meat Storage Drawers

07 Freezer door Bins

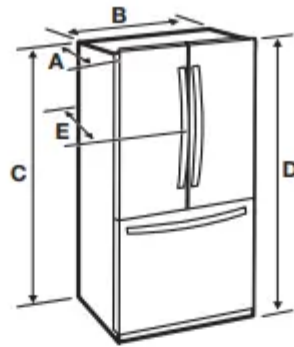
08 Fixed Shelf

09 Quick Space Shelf

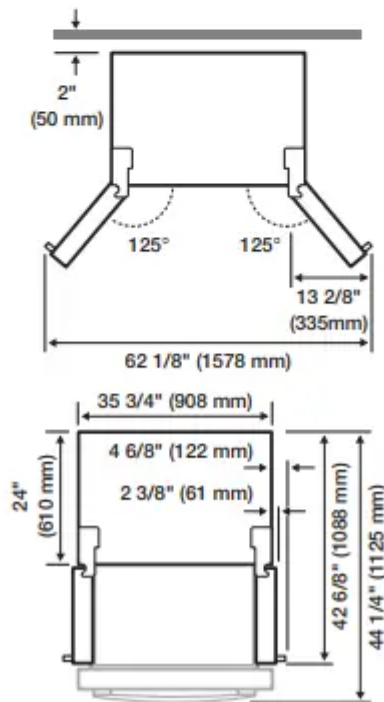
10 Water filter

Door Clearance





Model	RF23HC**
Depth "A"	28 1/2" (726 mm)
Width "B"	35 6/8" (908 mm)
Height "C"	68 7/8" (1749 mm)
Overall Height "D"	70" (1777 mm)
Depth "E"	31" (788 mm)



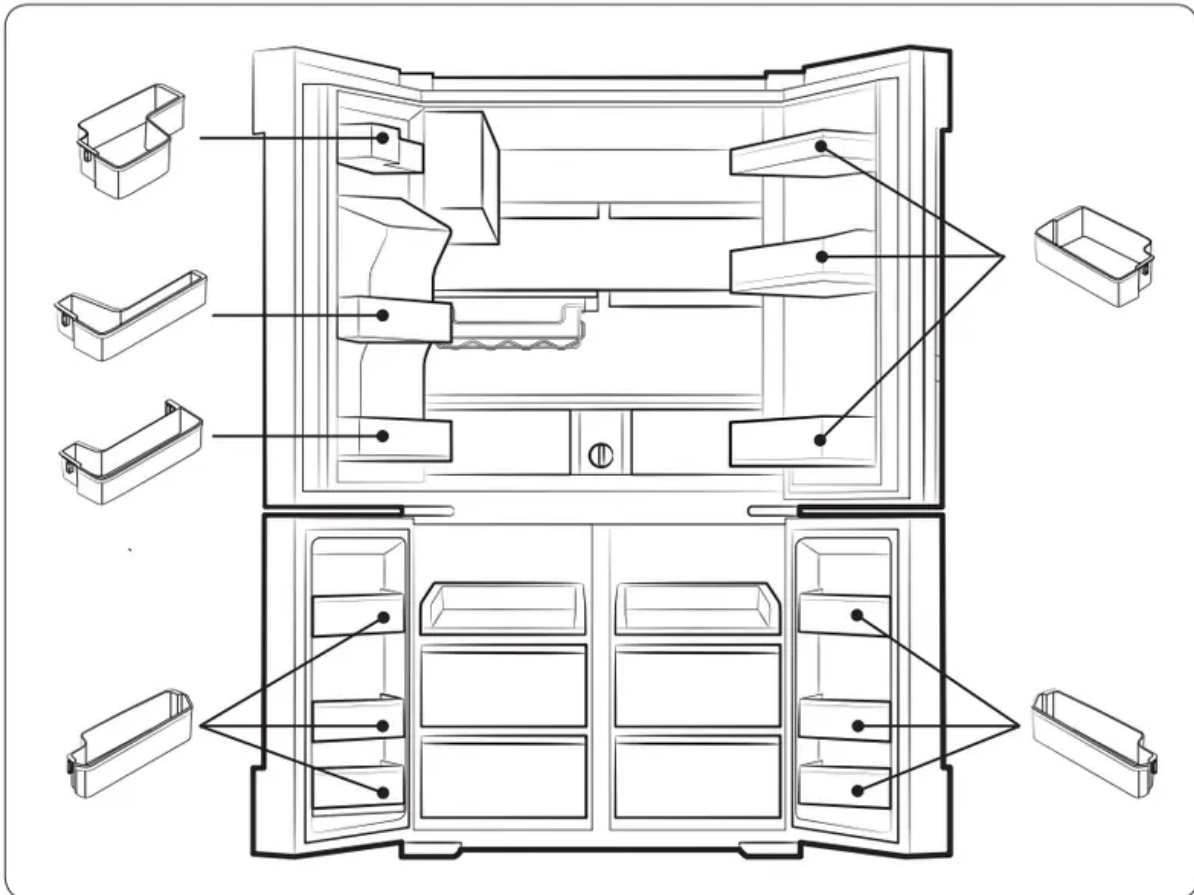
Flooring

1. For proper installation, you must place this refrigerator on a level, hard surface that is the same height as the rest of the floor.
2. This surface should be strong enough to support a fully loaded refrigerator.
3. To protect the finish of the flooring, cut a large section of the cardboard carton and place it under the refrigerator where you are working.
4. When moving the refrigerator, you need to pull and push it straight forwards or back.

5. Do not wiggle it from side to side.

Door bins

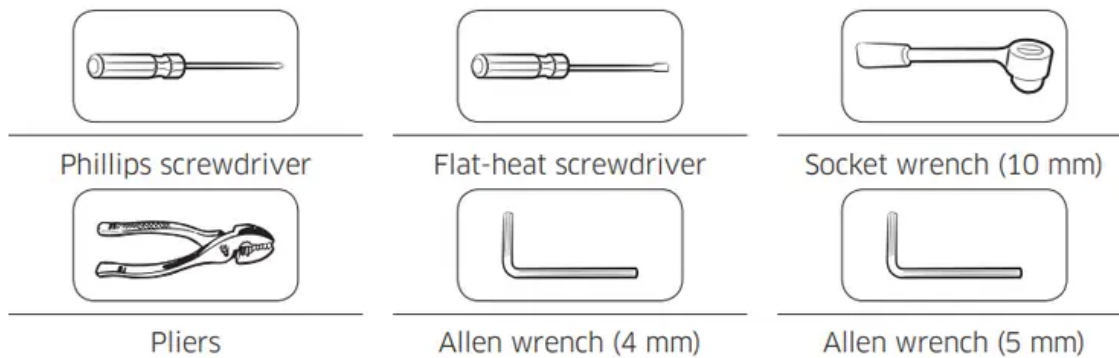
- Your refrigerator ships with door bins of different types and sizes. If the door bins for your refrigerator were packaged separately, use the figure below to help you position the bins properly.
- The number of door bins provided may differ with the model.



Door removal for entrance

- If the refrigerator cannot pass through the entrance to your home or kitchen due to its size, follow these instructions to remove and then re-install the refrigerator's doors.
- If you do not need to remove the doors, go to page 27 for the installation instructions.

Tools required (not provided)



Detaching the fridge doors

- With the door closed, use a Phillips screwdriver to remove the screws (x3) from the top cover. Pull up and remove the top cover with the connectors.
- Disconnect the two wire connectors on the left door. The position of the connectors differs with the model.

CAUTION

- Do not remove both doors simultaneously. Make sure to remove one door at a time. Otherwise, any of the doors may fall and cause physical injury.
- Make sure the refrigerator is off before disconnecting the connectors.
- Disconnect the water tube from the coupler on the left door as shown.
- Gently draw up the clamp in several steps. To prevent finger injuries, do not apply a sudden force to the clamp.
- Open the door 90 degrees. While holding the door, pull up and remove the top hinge. Be careful not to damage the connector wires when you remove the hinge.
- Gently pull up the door vertically to remove. Do not apply excessive force to the door. The door may fall, causing physical injury.
- Lay the door down on a flat surface.
- Repeat the steps above for the other door, except for Step 3. There is no water tube on the right side door.

Detaching the freezer doors

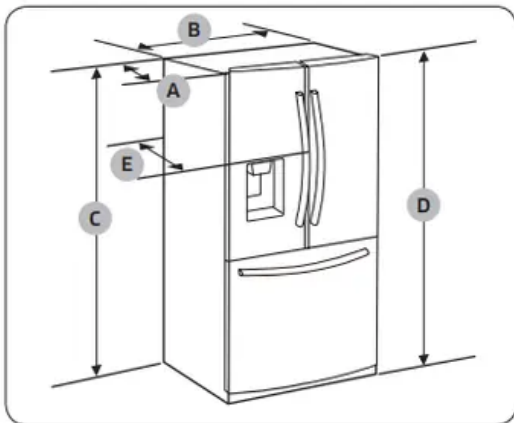
1. With the freezer door open, use a Phillips screwdriver to remove the screw holding the cover (A) of the adjustable leg.
2. Disconnect the wire connectors.
3. Locate the hinge shaft. While holding the door with one hand, use a flat-head screwdriver or wrench to press the shaft down. Make sure to hold the door to prevent the door from falling.
4. To prevent contact with the middle hinge, slightly tilt the door to the front, and then lift it up to remove.

5. Repeat the steps above for the other door.

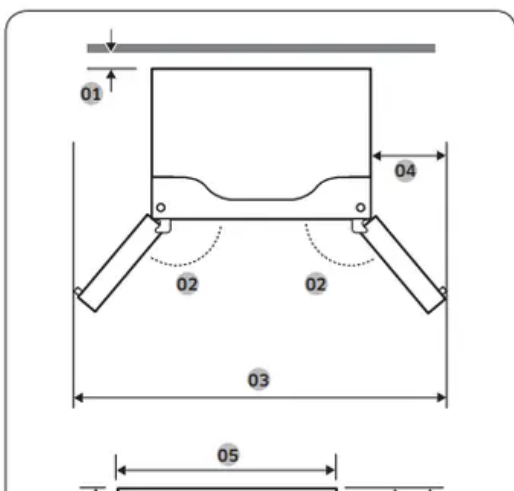
Step-by-step installation

STEP 1 Select a site Select a site that:

- Has a solid, level surface without carpeting or flooring that may obstruct ventilation • Is away from direct sunlight
- Has adequate room for opening and closing the door
- Is away from any heat sources
- Provides room for maintenance and servicing
- Has a temperature range between 50 °F (10 °C) and 109 °F (43 °C) CAUTION
- If your refrigerator is equipped with an ice maker, provide extra space at the rear of the refrigerator for the water line connection.
- When you install the refrigerator next to a fixed wall, you must provide a minimum clearance of 3/4" (95 mm) from the wall to allow the door to swing open.



Model	RF28*
Depth "A"	33 1/2" (851 mm)
Width "B"	35 6/8" (908 mm)
Height "C"	68 7/8" (1749 mm)
Overall Height "D"	70" (1777 mm)
Depth "E"	36" (913 mm)



Model	RF28*
01	2" (50 mm)
02	125°
03	62 1/8" (1578 mm)
04	13 2/8" (335 mm)
05	35 6/8" (908 mm)
06	28 7/8" (735 mm)
07	4 6/8" (122 mm)
08	2 3/8" (61 mm)
09	47 6/8" (1213 mm)
10	52 1/2" (1333 mm)

STEP 2 Flooring

- If the refrigerator cannot pass through the entrance due to its size, see STEP 3 Door removal for entrance

NOTE

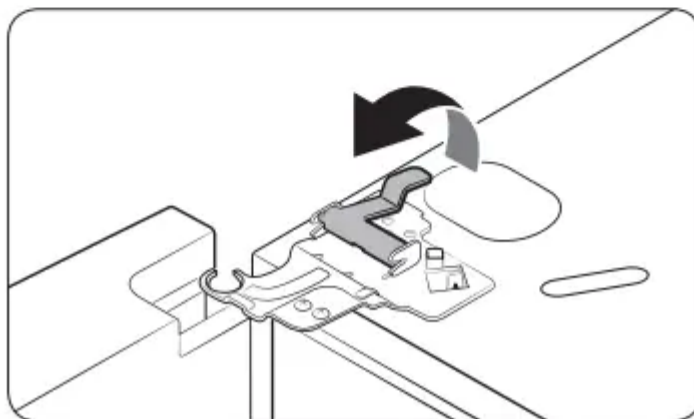
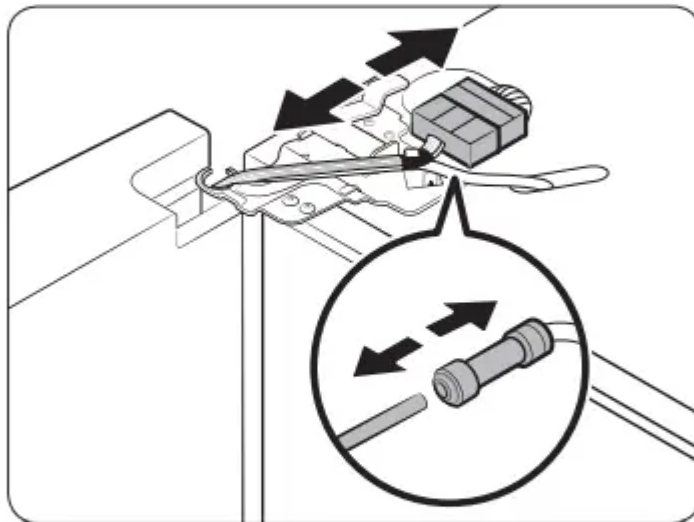
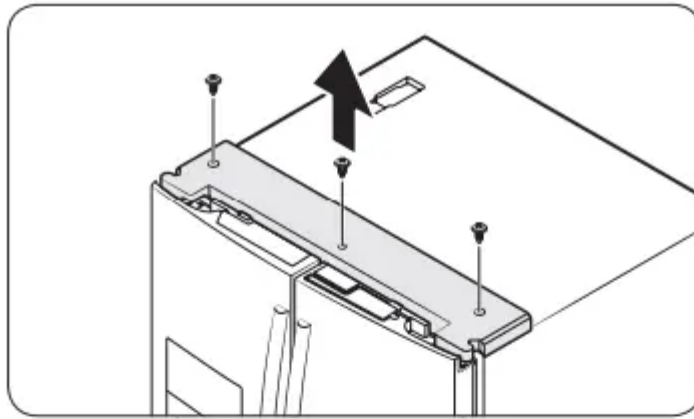
- To prevent floor damage, make sure the front leveling legs are in the upright position.
- The surface you install the refrigerator on must support a fully loaded refrigerator.
- To protect the floor, put a large piece of cardboard along the path to the refrigerator's final installation location.
- Once the refrigerator is in its final position, do not move it unless necessary to protect the floor. If you have to move the refrigerator, place thick paper or cloth such as old carpets along the path of movement.

STEP 3 Door removal for entrance

1. If the refrigerator cannot pass through the entrance to your home or kitchen due to its size, follow these instructions to remove and then re-install the refrigerator's doors. If you do not need to remove the doors, go to page 29 to continue the installation procedure.
2. With the doors closed, use a Phillips head screwdriver to remove the screws x3) in the top cover.
3. Disconnect the wires and the water tube from the left-side door. Do the following sequentially:
4. Decouple the connector.
5. While holding down one end of the water line coupler, disconnect the water tube.

CAUTION

- Keep the water tube clips out of children's reach.
- Gently draw up the clamp. To prevent finger injuries, do not apply a sudden force to the clamp.



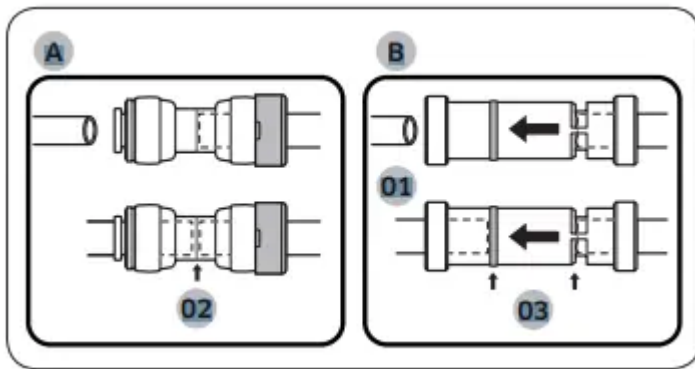
To reattach the fridge door

- After you have moved the refrigerator to its final location, reattach the doors by following the removal instructions in reverse order.

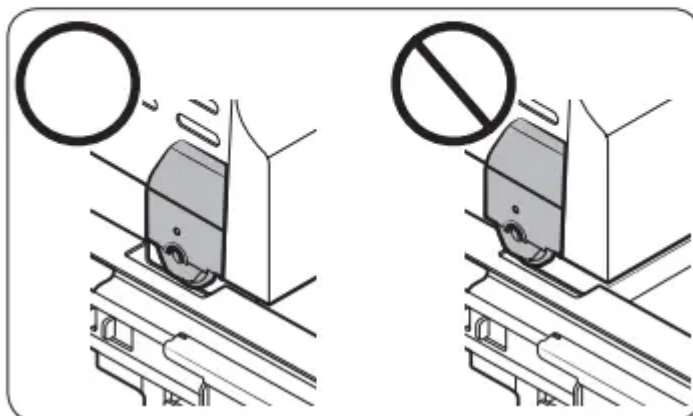
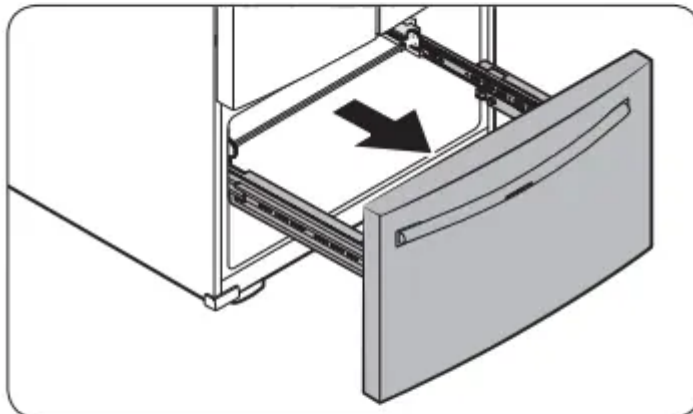
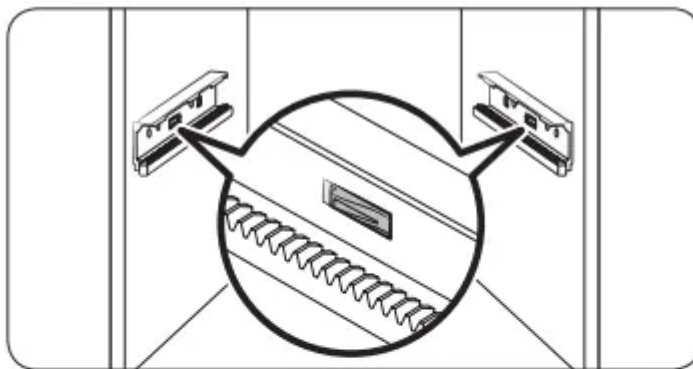
Dispenser

- Center of transparent coupler

Guidelines



To detach the freezer drawer



- Lift up the front of the upper basket and pull to remove.
- Lift the door bin to remove.

- Then, pull up to remove the lower basket from the rail assembly.
- Press down the hooks to unlock the rail assembly.
- While holding the upper area of the freezer drawer front, slide the drawer out all the way to remove the freezer drawer from the rail assembly.

CAUTION

1. Be careful not to scratch or dent the rail assembly.
2. Make sure you mount the freezer baskets in the correct position.
3. Otherwise, the door will not open or close properly, which causes frost to build up.
4. Do not store too much food in the freezer drawer. This prevents the freezer drawer from closing properly, resulting in frost buildup.

STEP 4 Leveling the refrigerator

- To adjust the height of the left side:
 - Insert a flat-head screwdriver into the leveler of the left side front leg. Turn the leveler clockwise to raise the left side or turn it counterclockwise to lower.
- To adjust the height of the right side:
 - Insert a flat-head screwdriver into the leveler of the right side front leg. Turn the leveler clockwise to raise the right side or turn it counterclockwise to lower.

STEP 5 Adjust the door height and the door gap

- Check the height difference between the doors, and then lift up and hold the door with the lower height.
- Insert a suitable-sized snap ring (A) between the door grommet (B) and the hinge as shown.

CAUTION

- Insert only one snap ring. If you insert two or more snap rings, the rings may slip out or make a rubbing noise.
- Keep the snap rings out of children's reach and keep them for future use.
- Do not raise the door too much. The door can contact and damage the top cover.

STEP 6 Attach the handles

1. Using a Phillips screwdriver, attach the handle screws to the refrigerator, two for each handle respectively, as shown in the illustration to the left.
2. Attach the handle to the handle screws on the door.
3. For type B handle: Insert the hook on the middle of the handle to its designated hole on the door, and then place the upper and lower part of the handles to the handle screws.

STEP 7 Connect the water dispenser line

- A water dispenser with a filter is one of the helpful features on your new refrigerator. To help promote better health, the water filter removes unwanted particles from your water. However, it does not sterilize or destroy microorganisms.
- You may need to purchase a water purifying system to do that. The water line also connects to the ice maker. For the ice maker to operate properly, water pressure of 30 to 120 psi (206 to 827 kPa) psi is required.
- If the refrigerator is installed in an area with low water pressure (below 30 psi / 206 kPa), you can install a booster pump to compensate for the low pressure.
- After you have connected the water line, make sure the water storage tank inside the refrigerator is properly filled. To do this, press the water dispenser lever until water runs from the water outlet.

STEP 8 Initial settings

- By completing the following steps, the refrigerator should be fully functioning.
- Plug the power cord into the wall socket to turn the refrigerator on.
- Open the door, and check if the interior light lights up.
- Set the temperature to the coldest setting, and wait for about an hour. Then, the freezer will be slightly chilled, and the motor should be running smoothly.
- Wait until the refrigerator reaches the set temperature. Now the refrigerator is ready for use.

STEP 9 Final check

- When installation is complete, confirm that:
- The refrigerator is plugged into an electrical outlet and grounded properly.
- The refrigerator is installed on a flat, level surface with a reasonable clearance from walls and cabinets.
- The refrigerator is level and is sitting firmly on the floor.
- The door opens and closes freely, and the interior light turns on automatically when you open the door.

Operations

Fridge

- You can use the Fridge button to set the fridge temperature or to activate Power Cool.
- Press Fridge repeatedly to select a desired temperature between 34 °F (1 °C) and 44 °F (7 °C).
- The temperature indicator displays the currently set or selected temperature.

- To activate Power Cool, press Fridge repeatedly until the

Power Cool indicator () lights up.

1. To deactivate Power Cool, simply press Fridge again while the Power Cool function is on.
2. Power Cool speeds up the cooling process at maximum power to lower the fridge temperature. The Power Cool process continues to run for several hours, and then turns off and the fridge returns to the previous temperature setting.
3. Use Power Cool to rapidly cool food that spoils quickly or to rapidly cool the refrigerator after the door has been left open for some time.

Autofill Pitcher

- Press and hold Fridge for 3 seconds to turn this function on. Open the left door of the fridge, and then insert the water pitcher. Close the door and the water pitcher will be filled with water up to the preset level.
- To turn the function off, press and hold Fridge again for seconds.

NOTE

1. By default, Autofill Pitcher is disabled. Enable this function after you have installed the water line.
2. If you open the door or push the dispenser lever, this function is stopped temporarily.
3. The Autofill Pitcher indicators blink if there is a leak. This may occur because the water pitcher overflows, or the water-line or water-level sensor fails. If this is the case, follow these steps. a. Open the rubber cap and drain water. b. When draining is complete, the indicators stop blinking and turn solid. c. Close the rubber cap.
4. If the indicators continue to blink, this might be a system failure. Contact a local service center.

Freezer

- You can use the Freezer button to set the freezer temperature or to activate Power Freeze.
- Press Freezer repeatedly to select a desired temperature between 5 °F (-15 °C) and -8 °F (-23 °C).
- The temperature indicator displays the currently set or selected temperature.
- To activate Power Freeze, press Freezer repeatedly until the
- Power Freeze indicator () lights up.
- To deactivate Power Freeze, simply press Freezer again while the Power Freeze function is on.

- Power Freeze speeds up the freezing process at maximum power to lower the freezer temperature. The Power Freeze process continues to run for several hours, and then turns off and the freezer returns to the previous temperature setting.
- To freeze large amounts of food, activate Power Freeze for at least 20 hours before putting the food in the freezer.

Ice Maker

- Press Ice Maker to turn the ice maker on or off.
- The ice maker has 2 indicators (/) to indicate its operating status.
- When the ice maker operates, the corresponding indicator turns on.
- When the ice maker is turned off, the corresponding indicator () turns on. In this case, ice making is disabled even if you press the Cubed or Crushed Ice buttons on the dispenser panel. To enable ice making, you must turn the ice maker on.

NOTE

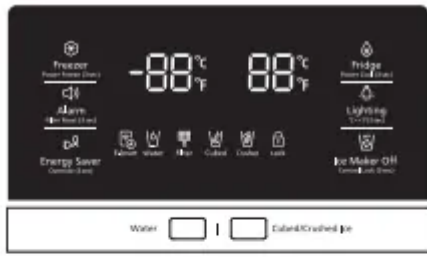
- If the fridge part ice maker is turned off, it will turn on if you press and hold the ice lever for more than 5 seconds.

Basic temperature of Freezer and fridge compartments

1. The basic and recommended temperatures of the
2. Freezer and Fridge compartments are 0 °F and
3. F (or -18 °C and 3 °C) respectively.
4. If the temperature of the Freezer and Fridge compartments are too high or low, adjust the temperature manually

Controlling the Freezer temperature

- Recommend Temp (Freezer) : 0 °F (or -18 °C)
- The Freezer temperature can be set between -8 °F and 5 °F (or between -23 °C and -15 °C) to suit your particular needs.
- Press the Freezer button repeatedly until the desired temperature is shown in the temperature display.
- The temperature will change by 1 °F (or 1 °C) with each press. See below.



RF23HCEDT*



Recommend Temp (Freezer) : 0 °F (or -18 °C)

Controlling the fridge temperature

- Recommend Temp (Fridge) : 37 °F (or 3 °C)
- The fridge temperature can be set between 34 °F and 44 °F (or between 1 °C and 7 °C) to suit your particular needs.
- Press the Fridge button repeatedly until the desired temperature is shown in the temperature display.
- The temperature will change by 1 °F (or 1 °C) with each press. See below.

RF23HCEDB*



RF23HCEDT*



Recommend Temp (Fridge) : 37 °F (or 3 °C)

Connect the water dispenser line

- A water dispenser with a filter is one of the helpful features on your new refrigerator. To help promote better health, the water filter removes unwanted particles from your water.

However, it does not sterilize or destroy microorganisms. You may need to purchase a water purifying system to do that.

- The water line also connects to the ice maker. For the ice maker to operate properly, water pressure of 30 to 120 psi (206 to 827 kPa) psi is required.
- If the refrigerator is installed in an area with low water pressure (below 30 psi / 206 kPa), you can install a booster pump to compensate for the low pressure.
- After you have connected the water line, make sure the water storage tank inside the refrigerator is properly filled. To do this, press the water dispenser lever until water runs from the water outlet.

This appliance is intended to be used in household and similar applications such as:

- Staff kitchen areas in shops, offices and other working environments.
- Farm houses and by clients in hotels, motels and other residential type environments; bed and breakfast type environments.
- Catering and similar non-retail applications.

Using the ice Dispenser

Place a glass underneath the ice dispenser and push gently against the dispenser lever with your glass.

1. Make sure the glass is in line with the dispenser to prevent the ice from bouncing out.
2. To select water, press the water button on the display, and then press the dispenser lever.
3. To select Ice, press the ICE type button of your choice on the display, and then press the dispenser lever.
4. If you have selected cubed ice, when you press the lever, the dispenser may dispense a small amount of crushed ice first.
5. If ice doesn't come out, pull out the ice bucket and press the test button located on the right side of ice maker.

Using the ice off Function

1. When you select the Ice Off mode, remove all ice cubes from the bucket.
2. If you leave the ice cubes in the bucket, the ice cubes may clump together, making it difficult to remove them.
3. To remove the ice bucket safely and avoid injury, hold the bottom of the bucket with one hand and the side of the bucket with the other.
4. Then, lift up on the ice bucket, and pull it straight out.
5. To put the ice bucket back in, push it firmly straight back.



Filter Reset

1. After about 6 months (and typically, about 300 gallons
2. L) of water), the Filter indicator blinks red for several seconds when you open the door, reminding you that the filter needs to be replaced.
3. When this happens, replace the filter, and then press and hold
4. Ice Maker for 3 seconds. The filter lifecycle will be reset and the Filter indicator turns off.

NOTE

- Some regions have relatively large amounts of lime in their water. This can reduce the lifecycle of the filter. In these areas, you will have to replace the water filter more often than specified above.
- If water is not dispensing properly, the water filter is most likely clogged. Replace the water filter.

Door Alarm

1. If the door is left open for more than 2 minutes, an alarm will sound and the alarm indicator will blink. You can toggle the alarm on and off by pressing Door Alarm. The alarm is enabled by factory default.
2. If the door is left open for 5 minutes, internal lights (in the fridge and freezer) will blink for 10 seconds and then turn on.
3. The whole process will be repeated every minute for 5 minutes. This is to alert hearing-impaired users that a door is open. Note that this function is normal.

Control Lock

- To prevent accidental setting changes, press and hold Door Alarm for 3 seconds. The main panel will be disabled and the Lock indicator () will turn on.
- When Control Lock is on, the indicator blinks if any button on the main panel is pressed.
- If you press and hold the button again for more than 3 seconds,
- Control Lock will be deactivated.
- However, Control Lock will be reactivated if no button is pressed within 1 minute.

NOTE

- Control Lock on the main panel does not affect the dispenser.
- The dispenser operates independently and so does the dispenser lever. To lock the dispenser and the dispenser lever, use the
- Dispenser Lock function.

Sabbath Mode

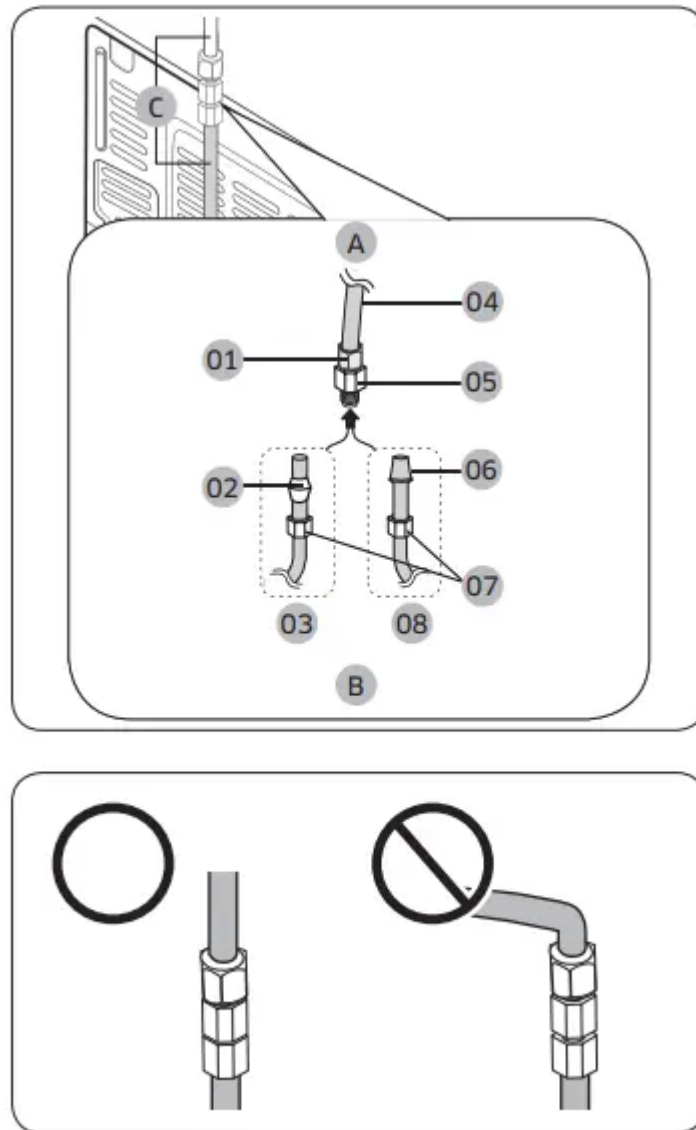
- The Sabbath mode stays active for 85 hours once it is activated. After that, it will be deactivated automatically.
- To activate Sabbath Mode, press and hold Door Alarm and Water/Ice simultaneously for 5 seconds. When the refrigerator is in Sabbath mode, the buttons, the display, and the internal lights do not function. The refrigerator and freezer, however, continue to cool.
- To deactivate Sabbath Mode, press and hold Door Alarm and Water/Ice simultaneously again for 5 seconds.

NOTE

- If the refrigerator powers off and restarts (for example, if there is a power failure), the Sabbath mode remains active. To end Sabbath Mode, you must deactivate it as described above.
- Controls must be unlocked before activating Sabbath mode.

Cooling Off

- Cooling Off mode (also called Shop mode) is designed for use by retailers when they are displaying refrigerators on a retail floor.
- In Cooling Off mode, the refrigerator's fan motor and lights operate normally, but the compressors do not run so neither the refrigerator nor the freezer become cold.
- To enter or exit the Cooling Off mode, press and hold Fridge and Cool Select Zone simultaneously for 6 seconds. Then, when the display blinks, press Door Alarm.
- When the Cooling Off mode is on, the refrigerator chime sounds, and the refrigerator shows "0" on the fridge temperature display and "FF" on the freezer temperature display.



Lock

- To prevent the use of the dispenser panel buttons and the dispenser lever, press and hold Water for more than 3 seconds.
- If you press and hold the button again for more than 3 seconds, the dispenser lock will be deactivated.
- When dispenser lock is on, the indicator blinks if any button on the dispenser panel is pressed or the dispenser lever is pressed.

NOTE

- The Lock on the dispenser panel does not affect the controls on the main panel. To lock the main panel, use the Control Lock function on the main panel.

To fill the Water pitcher

- Grasp a handle groove of the sealed mouth, and then pull up to open the lid.

- Put tea leaves or fruit to your taste into the infuser.

NOTE

- If you want to keep the infused water in its initial concentration, turn the Autofill Pitcher function off.
- Enable the Autofill Pitcher function on the main panel. Open the left door of the fridge door, and then mount the water pitcher onto the holder. Push it straight in as shown in the illustration on the left.
- Close the door. The water pitcher will start to fill with chilled water a short time later.

Water/Ice dispenser

1. Using the dispenser, you can dispense water with or without ice.
2. The water dispenser offers 3 options: chilled water, cubed ice, and crushed ice. To dispense chilled water, press Water on the dispenser panel. Put a water glass under the dispenser, and then push the dispenser lever.

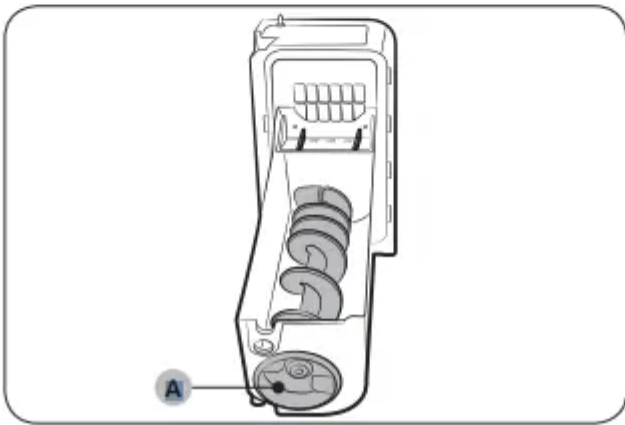
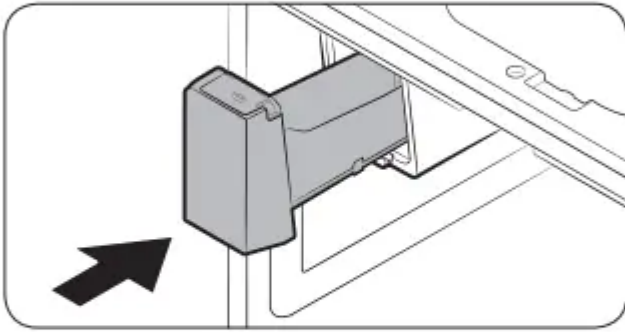
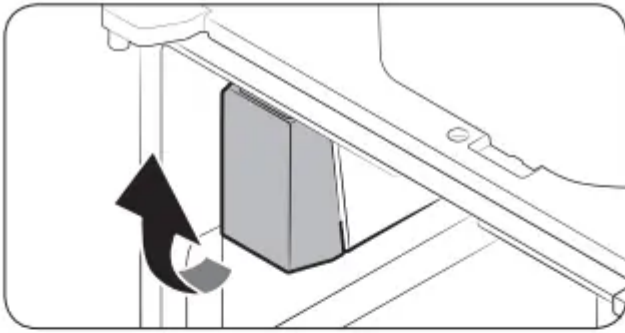
To dispense water with ice

1. With the Ice Maker enabled, press
2. Cubed Ice or Crushed Ice to select the ice type.
3. Put a water glass under the dispenser, and then push the dispenser lever with the glass. Ice will be dispensed from the dispenser.
4. Press Water to select water.
5. Push the dispenser lever with the glass. Water will be dispensed from the dispenser

Maintenance

Ice bucket (applicable models only)

- If you do not dispense ice for an extended period, ice may form clumps inside the bucket.
- If this happens, remove and empty the ice bucket.
- To remove the ice bucket, gently lift it up, and then pull it out slowly while holding the bottom of the bucket with one hand and the side with the other hand.
- Empty the bucket.
- When done, put the bucket back into position. If the bucket does not fit in, turn the helix screw 90 degrees, and then try again.
- If the ice bucket is not firmly inserted, turn the Helix (A) 90 degrees, and then try again.



Fridge shelves

1. The appearance of the shelves differs by model.
2. To remove a shelf, fully open the corresponding door. Hold the front of the shelf, and then gently lift up and slide out.

NOTE

- Do not lift up the shelf fully when removing or reinserting the shelf. The rear wall of the fridge room can be dented.
- To reinsert, hold the shelf at an angle so the front is higher than the back, and then insert the top hook into the top shelf notch. Then, lower the shelf and insert the bottom shelf hook into the bottom shelf notch.

CAUTION

- Do not apply excessive force to the bucket cover. The cover may break.

- Do not forcefully close the door. Water may spill over the ice maker.
- To prevent injury, make sure to clean up any ice or water that has fallen on the floor.
- To prevent accidents or injury, do not let children play with the water dispenser or the ice maker.
- Do not put your hand or an object into the ice chute. This may cause physical injury or product damage.

Autofill pitcher (applicable models only)

- Grasp a handle groove of the sealed mouth, and then pull up to remove.
- Grasp both sides of the sealed mouth, and then lift to remove.
- While slightly twisting the infuser, pull it out of the sealed mouth.
- Clean the infuser with neutral agents and running water. Rinse and dry well.
- Reassemble the Autofill pitcher in the reverse order of disassembly.

Fridge shelves

- The appearance of the shelves differs by model.
- To remove a shelf, fully open the corresponding door. Hold the front of the shelf, and then gently lift up and slide out.

NOTE

- Do not lift up the shelf fully when removing or reinserting the shelf. The rear wall of the fridge room can be dented.
- To reinsert, hold the shelf at an angle so the front is higher than the back, and then insert the top hook into the top shelf notch. Then, lower the shelf and insert the bottom shelf hook into the bottom shelf notch.

Vegetable shelf

- Slide out the left-side vegetable drawer.
- While supporting the vegetable shelf with one hand, slide it out with the other hand.

NOTE

- To use the space that is opened up after removing the glass shelf, take out the vegetable shelf.
- To reinsert, follow the steps above in the reverse order.

Door bins

1. To remove the door bin, hold the front sides of the bin, and then gently lift up to remove.
2. To reinsert, insert the door bin slightly above its final location making sure that the back of the bin is against the door.
3. Hold the rear of the door bin with both hands, and then press down so that it fits snugly.

Cool Select Zone

1. To remove, fully open the Cool Select
2. Zone. Then, slightly lift the front side and pull straight out.
3. To reinsert, push the rails to the back of the refrigerator. Then, place the Cool
4. Select Zone drawer onto the rails and slide it back until it is in place.
5. To remove the divider, lift the front side of the divider to unhook it from the wall, and then pull the divider out.
6. To reinsert the divider, hook the back of the divider over the rear wall, and then push the divider down

To remove, fully open the Cool Select

1. Zone. Then, slightly lift the front side and pull straight out.
2. To reinsert, push the rails to the back of the refrigerator. Then, place the Cool
3. Select Zone drawer onto the rails and slide it back until it is in place.
4. To remove the divider, lift the front side of the divider to unhook it from the wall, and then pull the divider out.
5. To reinsert the divider, hook the back of the divider over the rear wall, and then push the divider down

Lower basket

1. To remove, first remove the upper basket. Then, tilt up the front of the lower basket to pull out.
2. To reinsert, put the basket onto the rail assembly rear side first.

Interior and exterior

1. Do not use benzene, thinner, home/car detergent, or Clorox™ to clean the refrigerator.
2. They may damage the surface of the refrigerator and cause a fire.
3. Do not spray water onto the refrigerator. This may cause electric shock.
4. Regularly use a dry cloth to remove all foreign substances such as dust or water from the power plug terminals and contact points.
5. Unplug the power cord.
6. Use a moistened, soft, lint-free cloth or paper towel to clean the refrigerator's interior and exterior.
7. When done, use a dry cloth or paper towel to dry well.
8. Plug in the power cord.

Rubber seals

- If the rubber seals of a door become dirty, the door may not close properly and reducing refrigerator performance and efficiency.
- Use a mild detergent and damp cloth to clean the rubber seals. Then, dry well with a cloth.

Rear panel

- To keep cords and exposed parts of the rear panel free of dirt, vacuum the panel once or twice a year.

Water filter

1. Shut off the water supply line.
2. Turn the knob of the filter cartridge degrees counterclockwise (1/4 turn).
3. The filter cartridge unlocks.
4. Pull out to remove the cartridge.
5. If the water filter is severely contaminated, the cartridge may not be easy to remove. If that is the case, use force to remove the cartridge.
6. To prevent water leaks from the filter opening, pull the cartridge straight out while removing it.
7. Insert a new filter cartridge. Use only
8. Samsung-provided or approved filters.

Troubleshooting

Interior wall is hot.

- Refrigerator has heat-proof piping in the interior wall.
 - To prevent condensation from forming, the refrigerator has heat-proof piping in the front corners.
 - If the ambient temperature rises, this equipment may not work effectively. This is not a system failure.

Refrigerator has odors.

- Spoiled food.
- Food with strong odors
 - Clean the refrigerator and remove any spoiled food.
 - Make sure strong smelling food is wrapped airtight.

Frost around the vents.

- Make sure no food blocks the refrigerator vents.

Frost on interior walls.

- Make sure food does not block the door. Clean the door gasket.

Fruits or vegetables are frozen.

- Do not store most kinds of fruit or vegetables in the Cool Select Zone.

Condensation forms on the interior walls.

- If door is left open, moisture enters the refrigerator.
- Food with high moisture content.
 - Remove the moisture and do not leave a door open for extended periods of time
 - Make sure food is wrapped airtight.

Water flow is weaker than normal.

- Water pressure is too low
 - Make sure the water pressure is between 30 to 120 psi (206 to 827 kPa).

Ice maker makes a buzzing sound.

- The ice maker function is activated, but the water supply to the refrigerator has not been connected.
 - Press Ice Maker.

Ice maker does not make ice.

- Ice maker has just been installed.
- Freezer temperature is too high.
- Dispenser panel Lock is activated.
- Ice maker is off.
 - Ice maker is off.
 - Set the freezer temperature below 0 °F (-18 °C) or -4 °F (-20 °C) in warm ambient air.
 - Deactivate dispenser panel Lock.
 - Turn on the ice maker.

Ice does not dispense.

- Ice may jam if the ice dispenser is not used for a long time (approx. 3 weeks).
- Ice bucket is not properly inserted.

- Water line is not connected properly or water supply is not on.
 - If you won't be using the refrigerator for a long time, empty the ice bucket and
 - Make sure the ice bucket is properly inserted.
 - Check if the water line is installed correctly. Check if the water line stop cock is closed.

Refrigerator will not operate

- Not connected to an electrical supply - Plug the power cord into a grounded 3 prong outlet. Do not use an extension cord.
- No power to the electrical outlet - Plug in a lamp to see if the outlet is working.
- Household fuse has blown or circuit breaker has tripped - Replace the fuse or reset the circuit breaker. If the problem continues, contact a licensed electrician.

New installation

- Following installation, allow 24 hours for the refrigerator and freezer to cool completely. NOTE: Adjusting the temperature control(s) to the coldest setting will not cool either compartment (refrigerator or freezer) more quickly.

Motor seems to run too much

- Your new refrigerator has an energy-efficient motor
- The refrigerator may run longer than you're used to, because the compressor and fans operate at lower speeds that are more energyefficient. This is normal.

NOTE:

- Your refrigerator may run even longer if the room is warm, a large load of food is added, the doors are opened often, or if a door has been left open.

Refrigerator seems noisy

- The compressor in your new refrigerator regulates temperature more efficiently and uses less energy than older models. During various stages of operation, you may hear normal operating sounds that are unfamiliar. The following noises are normal:
- Buzzing/Clicking - Heard when the water valve opens and closes to dispense water or fill the ice maker. If the refrigerator is connected to a water line, this is normal. If the refrigerator is not connected to a water line, turn off the ice maker.
- Cracking/Crashing - Heard when ice is ejected from the ice maker mold.
- Popping - Heard when the inside walls contract/expand, especially during initial cooldown.
- Pulsating/Whirring - Heard when the fans/compressor adjust to optimize performance during normal operation.

- Rattling - Heard when water passes through the water line, or due to the flow of refrigerant. Rattling may also come from items placed on top of the refrigerator.
- Water running or gurgling - Heard when ice melts during the defrost cycle and water runs into the drain pan. Sizzling - Heard when water drips onto the heater during the defrost cycle.

Temperature is too warm

- New installation - Following installation, allow 24 hours for the refrigerator and freezer to cool completely.

NOTE:

Adjusting the temperature control(s) to the coldest setting will not cool either compartment (refrigerator or freezer) more quickly.

- Doors are opened often or not closed completely - This allows warm air to enter the refrigerator. Minimize door openings, keep the doors fully closed, and make sure both doors are properly sealed.
- Air vents are blocked - Remove items that are immediately in front of the vents.
- Large amount of warm food recently added - Allow several hours for the refrigerator to return to its normal temperature.
- Controls are not set correctly for the surrounding conditions - Adjust the controls to a colder setting. Check the temperature again in 24 hours.

Temperature is too cold

- Controls are not set correctly for the surrounding conditions - Adjust the controls to a warmer setting. Check the temperature again in 24 hours.
- Top refrigerator shelf is colder than lower shelves - On some models, air from the freezer enters the refrigerator compartment through vents near the top refrigerator shelf. As a result, the top shelf can be slightly colder than lower shelves.
- Air vents are blocked - Remove items that are immediately in front of the vents.
- Interior moisture buildup **NOTE:** Some moisture buildup is normal. Clean with a soft dry cloth.
- Room is humid - A humid environment contributes to moisture buildup. Use the refrigerator only in an indoor location, with as little humidity as possible.
- Doors are opened often or not closed completely - This allows humid air to enter the refrigerator. Minimize door openings, keep the doors fully closed, and make sure both doors are properly sealed.

Interior lights do not work

- Doors have been open for an extended period of time - Close the doors to reset the lights.
- Light bulb is loose in the socket or has burned out - On models with incandescent interior light bulbs, tighten or replace the bulb. See the “Lights” section.

NOTE:

These sounds are normal.

- Car engine ignition. As the operation stabilizes, the sounds will decrease.

Clicking! or Chirping!

Buzzing!

- While the fan is operating, these sounds may occur. When the refrigerator reaches the set temperature, the fan sound will stop.

SSRRRR! Whir!

- During a defrost cycle, water may drip on the defrost heater, causing sizzling sounds.
- As the refrigerator cools or freezes, refrigerant gas moves through sealed pipes, causing bubbling sounds.
- Bubbling!As the refrigerator temperature increases or decreases, plastic parts contract and expand, creating knocking noises. These noises occur during the defrosting cycle or when electronic parts are working.

Cracking!

- For ice maker models: When the water valve opens to fill the ice maker, you may hear a buzzing sound.
- Due to pressure equalizing when you open and close the refrigerator door, you may hear a whooshing sound

What Do I Need to use the Energy Management and Smart Grid functions?

To use the Smart Grid (Demand Response) and Energy Management functions on your refrigerator, you need the following:

- A wireless access point (router)
- A Samsung Energy Management-supported refrigerator
- A smartphone Registration
- Connect your refrigerator to your home Wi-Fi network. Register for the EMS service with your electric company. Your electric company must have an EMS (Energy Management System) supporting SEP (Smart Energy profile).

- Download the SmartThings app from the Google Play Store, Apple App Store, or Samsung Galaxy

Install and run the SmartThings app on your smartphone. Why isn't the Energy Management function working normally?

1. Make sure that your home router is operating normally with proper Internet service and connection.
2. Make sure that the refrigerator is connected to the AP router).
3. Checkpoints
4. Connect your smartphone to the router (AP, Access Point), and then check if you can browse the Internet on the smartphone.

Why isn't the Delay Defrost Capability working normally?

- Make sure that your home router is operating normally with proper Internet service and connection.

Warning

This content is compiled from multiple sources and is provided for reference purposes only. It may not be complete or fully applicable to all situations. If you are unable to resolve your issue, please contact the product manufacturer or an authorized service provider for official support.