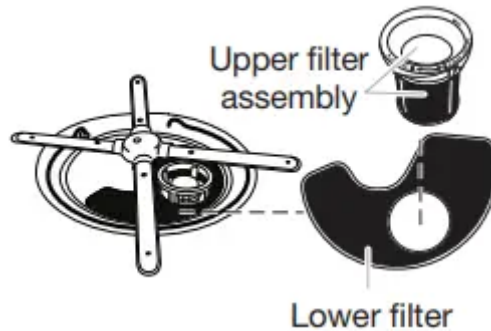


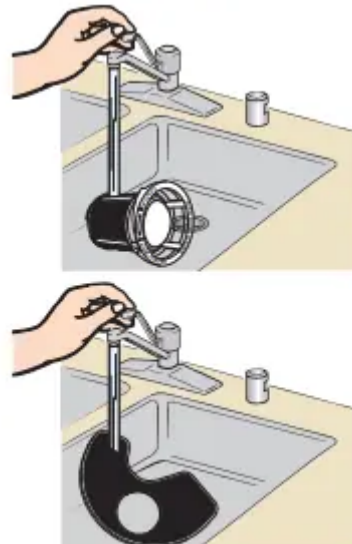
## Key Usage Tips

### Filtration system and Maintenance

- Your dishwasher has the latest technology in dishwasher filtration. This filtration system minimizes sound and optimizes water and energy conservation while providing superior cleaning.



- The filter system consists of two parts, an upper filter assembly and lower filter.
- **IMPORTANT:** To avoid damage to dishwasher, do not operate your dishwasher without filters properly installed. Be sure lower filter is securely in place and upper filter assembly is locked into place. If upper assembly turns freely, it is not locked into place.



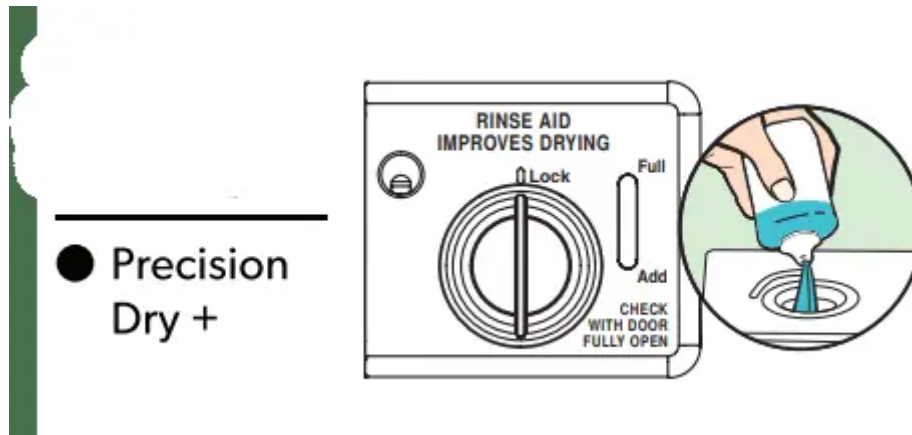
The filters may need to be cleaned when:

- Visible objects or soils are on upper filter assembly.
- Dishes feel gritty to the touch. See “Filtration System” in the full User Instructions for complete removal and maintenance schedule. **IMPORTANT:** Do not use a wire brush or a scouring pad, etc., as they may damage the filters. Rinse filter under running water until soils are removed. If you have

hard-to-remove soils or calcium deposits because of hard water, a soft brush may be required.

## Drying – Rinse aid is essential

- You must use a drying agent such as a rinse aid for good drying performance. Rinse aid along with the Precision Dry + option will provide best drying and avoid excessive moisture in the dishwasher interior.



## Energy efficiency

- Energy efficiency is gained by extending cycle time and reducing the amount of wattage and water used during your dishwasher's cycle. For exceptional cleaning, cycles are longer due to the soak and pauses.
- Efficient dishwashers run longer to save water and energy, just as driving a car slower saves on gas. Your first cycle will run longer to calibrate the optical water sensor.



## Press Start every time you add a dish

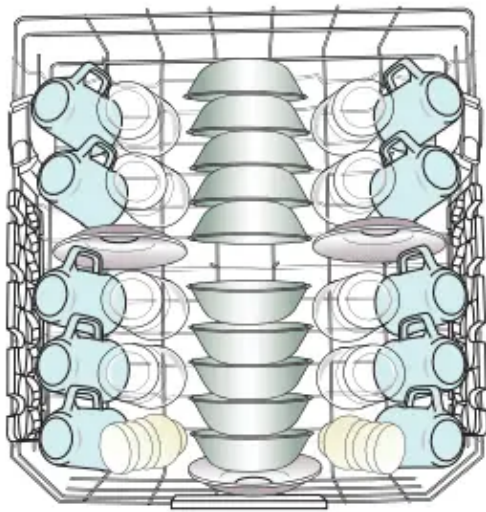
- **IMPORTANT:** If anyone opens the door, such as to add a dish, Start must be pressed each time. Push door firmly closed within 4 seconds of pressing Start. If door is not closed within 4 seconds, the Start button LED will flash, an audible tone will be heard, and the cycle will not start.



Cancel/Drain - 3 Sec

## Operating Your Dishwasher

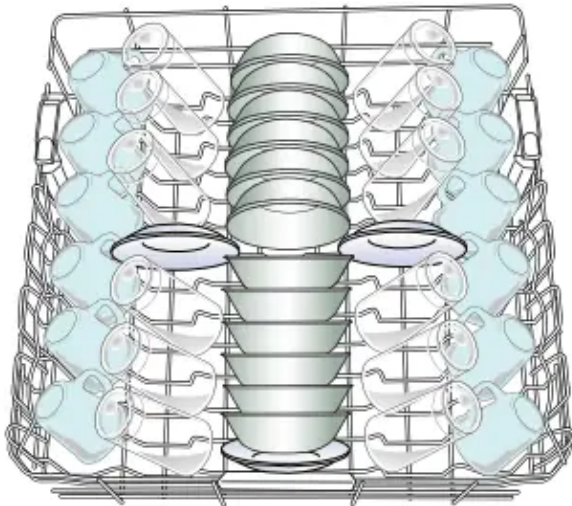
1. Prepare and load the dishwasher



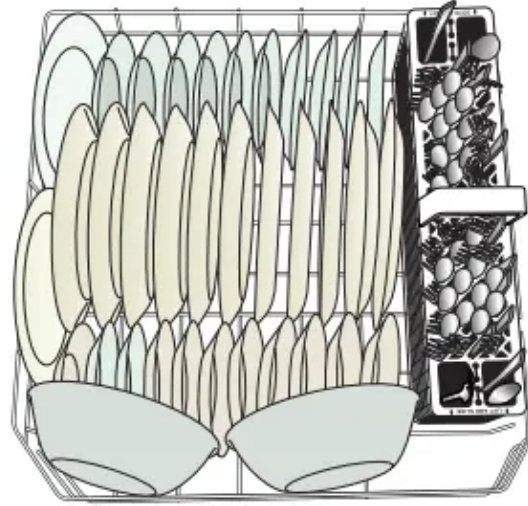
*10-place load – upper rack*



*10-place load – lower rack*



*12-place load – upper rack*

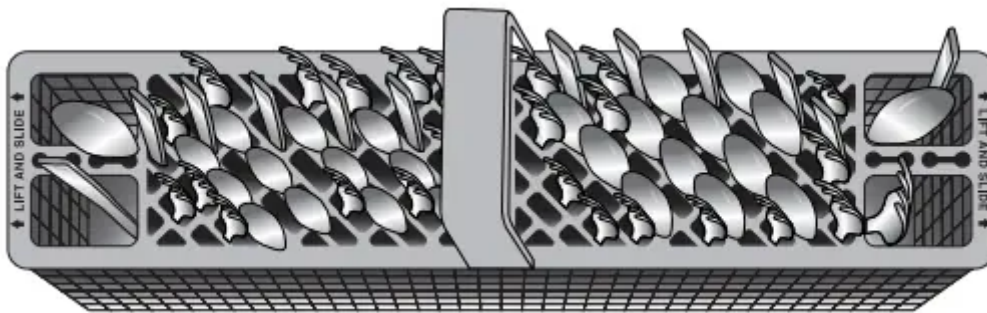


*12-place load – lower rack*

**IMPORTANT:** Remove leftover food, bones, toothpicks, and other hard items from dishes. Remove labels from containers before washing.

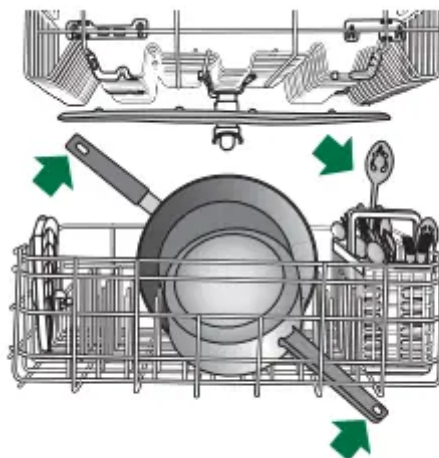
- Make sure when dishwasher door is closed, no items are blocking detergent dispenser.

- Items should be loaded with soiled surfaces facing down and inward to the spray as shown in the graphics above. This will improve cleaning and drying results. Angle dirtiest dish surface downward, allowing space for water to flow up through rack and between dishes.
- Avoid overlapping items, like bowls or plates, that may trap food.
- Place plastics, small plates, and glasses in upper rack.
- Wash only items marked “dishwasher safe.”
- To avoid thumping/clattering noises during operation, load dishes so they do not touch one another. Make sure lightweight load items are secured in racks.
- When loading silverware, always place sharp items pointing down and avoid “nesting” as shown. If your silverware does not fit into the designated slots, lift and slide covers off to remove them and mix silverware types to keep them separated.
- Use the slots in the covers and suggested loading patterns to keep your silverware separated for optimum wash. See the complete online User Instructions for detailed illustrations.

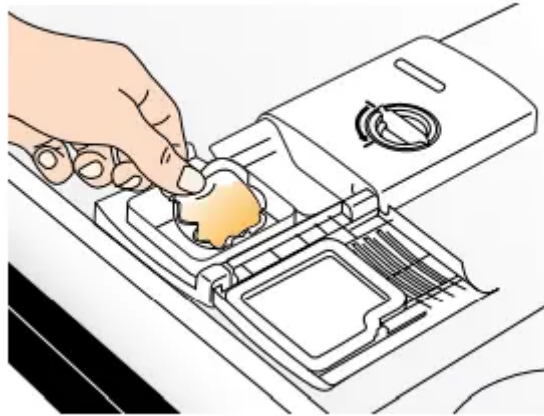


## 2. Check that all arms spin freely

- Items in the rack can block the spray arms.



## 3. Add detergent



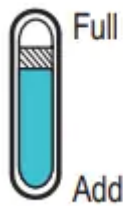
## Premeasured Detergents

- High-quality premeasured tablets and packs are recommended for improved performance.
- Quality tablets and packs have been proven better than powder, liquid, or gel detergents at reducing filming on dishes. Using tablets and packs over time will start to reduce or eliminate white film. They are suitable for all water hardness and soil levels. Also, by using a rinse aid, you can minimize repeat buildup of white film (not all packs and tablets contain rinse aid). Always place premeasured detergents in main compartment and close lid.
- NOTE: Follow instructions on the package when using other dishwasher detergent types. See the complete User Instructions for more details about powders, liquids, and gels.
  - Use automatic dishwasher detergent only. Add detergent just before starting a cycle.
  - Fresh automatic dishwasher detergent results in better cleaning. Store tightly closed detergent container in a cool, dry place.

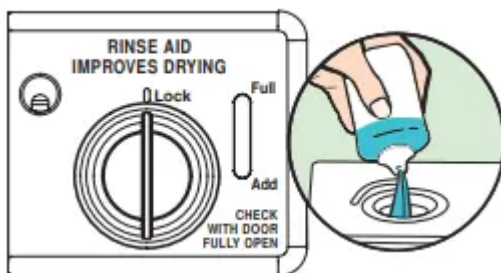
### 4. Add rinse aid

- Your dishwasher is designed to use rinse aid for good drying performance. Without rinse aid, your dishes and dishwasher interior will have excessive moisture. The heating and drying options will not perform as well without rinse aid.
- Rinse aid keeps water from forming droplets that can dry as spots or streaks. It also improves drying by allowing water to drain off of dishes after final rinse. Rinse aid does

not adhere to dishware, and when used, it is dispensed during each cycle.



- Add rinse aid by twisting the dispenser cap a quarter turn clockwise to open and lift off. Pour rinse aid into the opening until the indicator level is at “Full.” Replace the dispenser cap and turn to “Lock.” Make sure cap is fully locked.



NOTE: For most water conditions, the factory setting will give good results.

If you are experiencing poor drying performance, you may want to try a higher setting. Turn the arrow adjuster to a higher number to increase the amount of rinse aid.



#### 5. Select a cycle

- Efficient dishwashers run longer to save water and energy, just as driving a car slower saves on gas. Typical cycle time is approximately 2 1/2 hours but can take less or more time to complete depending on selections. Press START to select the Sensor cycle or select another cycle appropriate for your load (see Cycle Guide).

#### 6. Select options (varies by model)

- You can customize your cycles by pressing the options desired. If you change your mind, press the option again to turn off the option. Not all options are available for every cycle.

If an invalid option is selected for a given cycle, the lights will flash. Adding options may increase the cycle time.

## 7. Start or resume a cycle

- **NOTE:** If needed, run hot water at the sink nearest your dishwasher until the water is hot. Turn off water.
- Push door firmly closed within 4 seconds of pressing Start. If door is not closed within 4 seconds, the Start button LED will flash, an audible tone will sound, and the cycle will not start.
- **IMPORTANT:** If the door is opened for any reason after the cycle is started (even during the Delay option), the Start button must be pressed again.

## Cycle Guide

This information covers several different models. Your dishwasher may not have all of the cycles and options described.

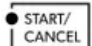

**IMPORTANT:** The sensor in your dishwasher monitors the soil level. Cycle time and/or water usage can vary as the sensor adjusts the cycle for the best wash performance. If the incoming water is less than the recommended temperature or food soils are heavy, the cycle will automatically compensate by adding time, heat, and water as needed.

| CYCLES     |   | ESTIMATED WASH TIME W/O OPTIONS | WATER USAGE GALLONS (LITERS) |
|------------|---|---------------------------------|------------------------------|
| ● Sensor   | This is the most versatile cycle. This cycle senses the load size, soil amount, and toughness of soil to adjust the cycle for improved cleaning, using only the amount of water and energy needed. The Sensor cycle is automatically selected if you first press the Start button. Includes Precision Dry +.* | 2:30 to 3:30                    | 3.8 to 7.7 (14.4 to 29.3)    |
| ● Cookware | Use for hard-to-clean, heavily soiled pots, pans, casseroles, and regular tableware. Includes Precision Dry +.  | 2:20 to 3:30                    | 8.4 (31.7)                   |
| ● Normal   | This cycle is recommended for daily, regular, or typical use to completely wash and dry a full load of normally soiled dishes. This dishwasher's government energy certifications were based on the Normal cycle with only the Precision Dry + option selected.**   | 1:50 to 3:30                    | 2.7 to 7.9 (10.4 to 30.0)    |
| ● Crystal  | Use for lightly soiled items or china and crystal.  | 1:45 to 3:30                    | 2.7 to 7.9 (10.4 to 30.0)    |
| ● 1 Hour   | For fast results, the 1 Hour wash will clean dishes using slightly more water and energy. For improved drying, select the Precision Dry + option.<br><b>NOTE:</b> Some detergents are not recommended for short wash cycles. Please refer to your detergent packaging for more information.                   | 0:55 to 1:05                    | 6.2 (23.5)                   |
| ● Refresh  | Use for refreshing clean items that may be dusty from infrequent use, or for rinsing soiled items that will not be washed right away. Do not use detergent.   | 0:15 to 0:20                    | 2.4 (9.0)                    |

\*The government energy certifications are not based on this cycle. See the Normal cycle description for the government energy certification cycle. Using the Sensor cycle may increase your energy usage.

\*\*No other washing and drying temperature options were selected, and the dishwasher was not subjected to truncated testing. Rinse aid was not used, and there was no detergent used in the prewash.

| OPTIONS   | CAN BE SELECTED WITH   | WHAT IT DOES                                  | ADDED TIME TO CYCLE   | ADDED WATER GALLONS (LITERS) |                          |
|---|--|---|---|------------------------------|--------------------------|
| <ul style="list-style-type: none"> <li>● Precision Dry +</li> </ul>                   | Dries dishes with heat (and fan, depending on cycle/option combination). This option, with the use of rinse aid, will provide better drying results. Plastic items are less likely to deform when loaded in the top rack. Use Precision Dry + for optimum drying performance. For air dry, turn Precision Dry + off.   | Available with any cycle except Refresh/Rinse | Uses a heating element to speed drying times. Precision Dry + option defaults to On when any cycle is selected, except for 1 Hour wash.             | 0:10 to 0:50                 | 0                        |
| <ul style="list-style-type: none"> <li>● Hi-Temp Wash</li> </ul> Sound On/Off - 3 Sec | Raises the main wash temperature to improve cleaning for loads containing tough, baked-on food.  | Sensor Cookware Normal Crystal                | Raises the main wash temperature from 105°F (41°C) to either 130°F or 140°F (55°C or 60°C).   | 0:00 to 0:30                 | 0 to 3.0 (0 to 11.2)     |
| <ul style="list-style-type: none"> <li>● Sanitize Rinse</li> </ul>                    | Sanitizes dishes and glassware in accordance with NSF International NSF/ANSI Standard 184 for Residential Dishwashers. Certified residential dishwashers are not intended for licensed food establishments. Only sanitizing cycles have been designed to meet the requirements of the NSF/ANSI 184 performance standard for soil removal and for sanitization efficacy. There is no intention, either directly or indirectly, that all cycles on a NSF/ANSI 184 certified dishwasher meet the NSF/ANSI 184 performance standard for soil removal and for sanitization efficacy. The Sanitize Rinse indicator glows at the end of the cycle if the Sanitize Rinse option was successfully completed. If the indicator does not activate, it is probably due to the cycle being interrupted. | Sensor Cookware Normal                        | Raises main wash temperature from 105°F to 140°F (41°C to 60°C) and the final rinse from 140°F to 155°F (60°C to 68°C).                             | 0:00 to 2:20                 | 1.2 to 6.2 (4.8 to 23.3) |
| <ul style="list-style-type: none"> <li>● Steam Finish</li> </ul>                      | Raises the temperature with the power of steam before final rinse to help enhance shine, finish and reduce glass spots.  | Sensor Cookware Normal                        | Raises main wash temperature from 105°F to 140°F (41°C to 60°C), steam clean before rinsing, final rinse temperature 140°F to 155°F (60°C to 68°C). | 1:15 to 1:40                 | 0 to 3.9 (0 to 14.9)     |
| <ul style="list-style-type: none"> <li>● Top Rack Wash</li> </ul>                     | For added convenience, use for washing a small load of dishes in the top rack to help keep the kitchen continuously clean.   | Available with any cycle                      | Slightly faster wash for smaller loads  | 0                            | 0                        |
| <ul style="list-style-type: none"> <li>● Bottom Rack Wash</li> </ul> (on some models) | For added convenience, use for washing a small load of dishes in the bottom rack to help keep the kitchen continuously clean.  | Available with any cycle                      | Slightly faster wash for smaller loads  | 0                            | 0                        |
| <ul style="list-style-type: none"> <li>● Tall Bottle Wash</li> </ul> (on some models) | The upper rack has flip-up spray nozzles that reach into deeper items such as sports bottles, baby bottles, or oddly shaped items. Flip the nozzles up to use them and down to move them out of the way.   | Sensor Cookware Normal Crystal 1 Hour         | Bottle Wash nozzles ensure interior wash and rinse coverage inside taller items, such as bottles.   | 0:07                         | 0                        |

| CONTROL  | PURPOSE  | COMMENTS   |
|--|--|--|
| <br>Cancel/Drain - 3 Sec<br>(varies by model) | Press to start or resume a wash cycle. Press to cancel wash cycle. | If the door is opened during a cycle or the power is interrupted, the Start button LED flashes. Cycle will not resume until Start is pressed and the door is closed. Push door firmly closed within 4 seconds of pressing Start. Press and hold START/CANCEL/DRAIN for 3 seconds. Close the door firmly. The dishwasher starts a 2-minute drain (if needed). Let dishwasher drain completely.  |
| <br>(varies by model)                         | To follow the progress of the dishwasher cycle.                    | Clean indicator glows when a cycle is finished. If you selected the Sanitized Rinse option, the Sanitized indicator glows when the cycle is finished. If your dishwasher did not properly sanitize your dishes, the indicator flashes at the end of the cycle. This can happen if the cycle is interrupted, or the water could not be heated to the required temperature. The Clean indicator turns off when you open and close the door, or press the Start button. |

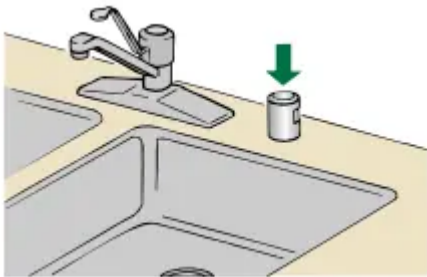
## Dishwasher Care

### Cleaning the Exterior

- Clean the exterior of the dishwasher with only a soft, damp cloth and mild detergent. If your dishwasher has a stainless steel exterior, it may have a coating that is resistant to fingerprints. Avoid using abrasive cleaning products on the exterior of the dishwasher.

## Cleaning and Maintaining the Interior

- Many detergents may leave white spots or a white residue on dishware and on the interior of the dishwasher. Over time this residue can become unsightly and could affect dishwasher performance. Use of a dishwasher cleaning product such as affresh® Dishwasher Cleaner can help to remove the residue. Monthly use of affresh® Dishwasher Cleaner is recommended to help maintain the dishwasher. Follow package directions.
- NOTE: JennAir recommends the use of high-quality premeasured detergent tablets or packs and the use of rinse aid for dishwasher cleaning and daily care.
- If you have a drain air gap, check and clean it if the dishwasher isn't draining well.
- To Reduce Risk of Property Damage During Vacation or Extended Time Without Use:



- When you will not be using the dishwasher during the summer months, turn off the water and power supply to the dishwasher.
- Make sure the water supply lines are protected against freezing conditions. Ice formations in the supply lines can increase water pressure and cause damage to your dishwasher or home. Damage from freezing is not covered by the warranty.
- When storing your dishwasher in the winter, avoid water damage by having your dishwasher winterized by authorized service personnel.

# Troubleshooting



| IF YOU EXPERIENCE               | RECOMMENDED SOLUTIONS   |
|---------------------------------|---|
| The Clean indicator is flashing | <p>Check the following:</p> <ul style="list-style-type: none"> <li>• Was the cycle interrupted? Touch START/CANCEL and close the door within 4 seconds.</li> <li>• Is the overfill protection float able to move up and down freely? Press down to release.</li> <li>• Be sure the water supply is turned on to the dishwasher. (This is very important following the new installation of your dishwasher.)</li> <li>• Check for suds in the dishwasher. For more information on suds, see “Dishwasher does not clean completely.”</li> </ul>   |
| Dishes do not dry completely    | <p>NOTE: Plastic and items with nonstick surfaces are difficult to dry because they have a porous surface which tends to collect water droplets. Towel drying may be necessary.</p> <p>Use of rinse aid along with the Precision Dry + option is needed for proper drying.</p> <p>Proper loading of items can affect drying.</p> <p>Glasses and cups with concave bottoms hold water. This water may spill onto other items when you are unloading the dishwasher.</p> <ul style="list-style-type: none"> <li>• Unload the bottom rack first.</li> <li>• For improved results, place these items on the more slanted side of the rack.</li> </ul> |
| Spotting/Filming                | <p>Liquid rinse aid is necessary for drying and to reduce spotting.</p> <p>Use the correct amount of detergent.</p> <p>Confirm that the cloudiness is removable by soaking the item in white vinegar for 5 minutes. If the cloudiness disappears, it is due to hard water. Adjust the amount of detergent and rinse aid. See the “Dishwasher Care” section. If it does not come clear, it is due to etching.</p> <p>Be sure the incoming water temperature is set at 120°F (49°C).</p> <p>Try using the Hi-Temp Wash or Sanitize Rinse options.</p> <p>To remove spotting, see the “Dishwasher Care” section</p>                                  |



|   |   |
|---|---|
| <p>Dishwasher does not clean completely</p>                 | <p>Be sure the dishwasher is loaded correctly. Improper loading can greatly decrease the washing performance. See the “Operating Your Dishwasher” section.</p> <p>Check filter to ensure it is properly installed. Clean it if needed. See the “Filtration System” section in the full User Instructions for details.</p> <p>Select the proper cycle for the type of soils. The Sensor cycle can be used for tougher loads.</p> <p>Be sure the incoming water temperature is at least 120°F (49°C).</p> <p>Use the proper amount of fresh detergent. More detergent is needed for heavier-soiled loads and hard water conditions.</p> <p>Scrape food from dishes prior to loading (do not prerinse).</p> <p>If foam or suds are detected by the dishwasher sensing system, the dishwasher may not operate properly or may not fill with water. Suds can come from:</p> <ul style="list-style-type: none"> <li>• Using the incorrect type of detergent, such as laundry detergent, hand soap, or dish detergent for hand washing dishes.</li> <li>• Not replacing the rinse aid dispenser cap after filling (or refilling) the rinse aid dispenser.</li> <li>• Using an excessive amount of dishwasher detergent.</li> </ul> |
| <p>Interior tub lights do not light up (on some models)</p> | <p>The interior lights turn on when the door is opened. The lights will turn off automatically after 15 minutes if the door is left open.</p> <p>If the lights do not turn on after closing and opening the door, call for service.</p>   |

**Warning**

This content is compiled from multiple sources and is provided for reference purposes only. It may not be complete or fully applicable to all situations. If you are unable to resolve your issue, please contact the product manufacturer or an authorized service provider for official support.

