

Setting up your dishwasher

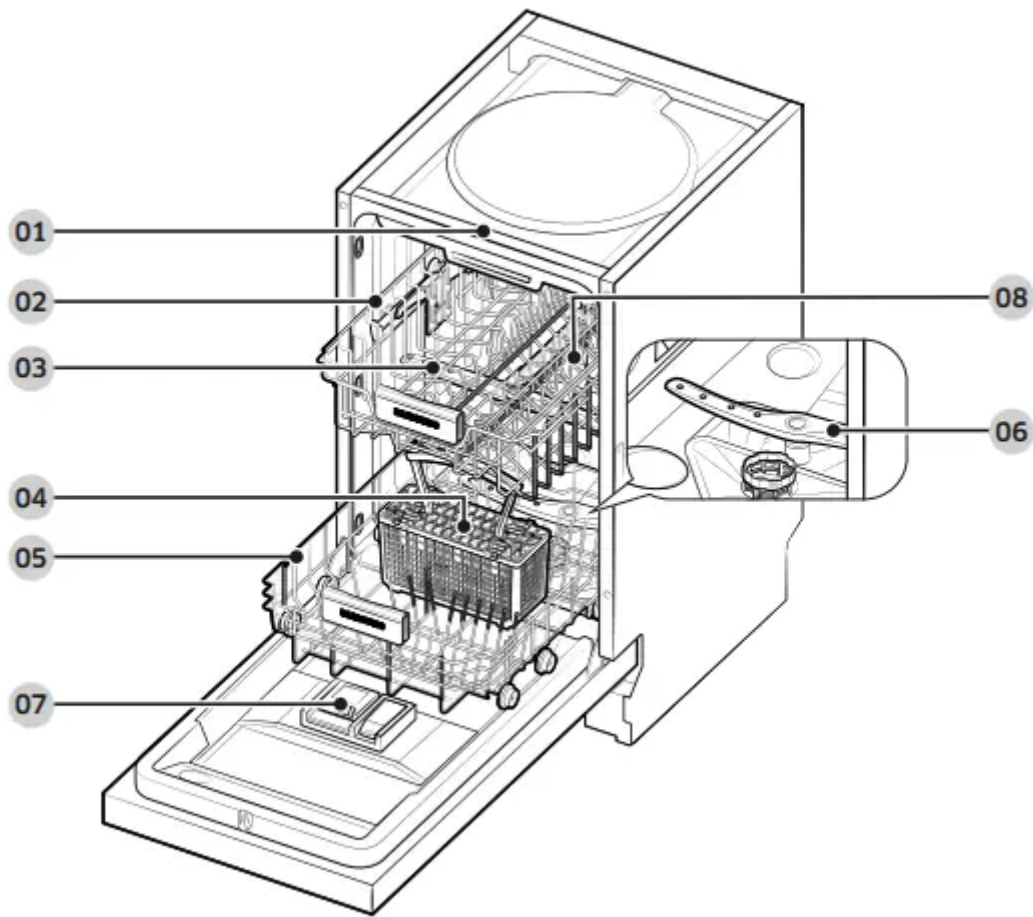
Be sure to have your installer follow these instructions closely so that your new dishwasher works properly and that you're not at risk of injury when washing dishes.

Unpacking your dishwasher

- Once your new dishwasher has been delivered to you, carefully unpack it and check for any damage. If the dishwasher has been damaged, make note of it on the waybill and keep a copy. Do not install the dishwasher, and contact Samsung Customer Service at 1-800-SAMSUNG (726-7864).
- If there is no damage to the product, you can proceed with the installation. If you are going to install it yourself, make sure to read through the installation guide and follow the directions inside.
- After unpacking your dishwasher, keep the packaging out of the reach of children to ensure their safety.

Checking parts

When your dishwasher has been unpacked, make sure you've received all the parts shown below. If your dishwasher was damaged during shipping, or if you do not have all the parts, contact Samsung Customer Service at 1-800-SAMSUNG (726-7864).



- 01 Lock
- 02 Upper Basket
- 03 Upper Nozzle
- 04 Cutlery Basket
- 05 Lower Basket
- 06 Lower Spray Arm
- 07 Rinse Aid Dispenser
- 08 Cup Shelf

NOTE

- Accessory parts: User/Installation manual, Installation Kit.
- Depending on the models, actual parts may look different from the figures.

Meeting installation requirements

Electrical supply and grounding

WARNING

To prevent the risk of fire, electric shock, or personal injury, all wiring and grounding must be done in accordance with the National Electrical Code ANSI/FNPA, No. 70 Latest Revision



and local codes and ordinances. It is the personal responsibility of the appliance owner to provide adequate electrical service for this appliance.

CAUTION

- Never use an extension cord.
- When preparing for installation, ensure that you provide:
 - An individual branch circuit with a 120 V, 60 Hz, 15 AMP fuse or circuit breaker that serves only your dishwasher .
- Your dishwasher must be grounded. If your dishwasher malfunctions or breaks down, grounding will reduce the risk of electric shock by providing a path of least resistance for the electric current.

WARNING

Never connect the ground wire to plastic plumbing lines, gas lines, or hot water pipes.

Water supply

The hot water supply line pressure must be between 20-120 psi (140-830 kPa). Adjust your water heater to deliver water between 120 °F (49 °C) and 149 °F (65 °C).

NOTE

- Most plumbing supply stores sell water supply lines of various lengths up to 10 feet (305 cm) long.
- You can reduce the risk of leaks and water damage by:
 - Making water faucets easily accessible.
 - Turning off faucets when the dishwasher is not in use.
 - Periodically checking for leaks at water supply line fittings.

WARNING

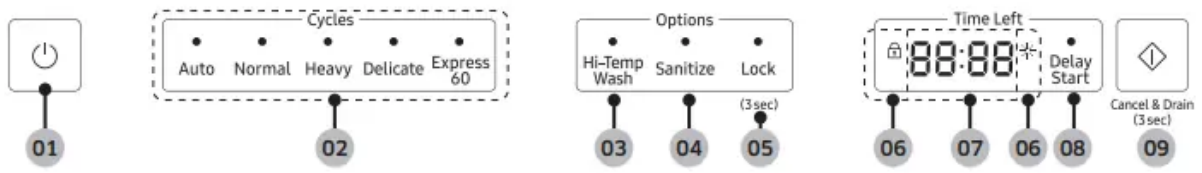
Before using your dishwasher for the first time, check all connections at the water supply valve and faucets for leaks.



Flooring

For safety, your dishwasher must be installed on a solidly constructed floor. Never install your dishwasher on a platform or poorly supported structure.

Your dishwasher must be properly installed in accordance with the Installation Guide before you use it. If you did not receive an Installation Guide with your dishwasher, you can obtain one by visiting our website

Control panel

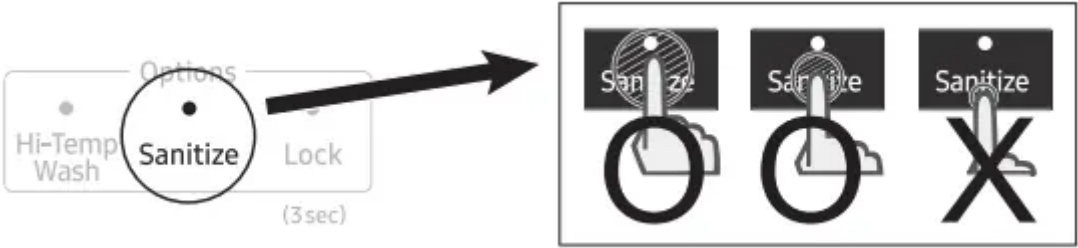


01 POWER	<p>When you press the POWER button, the entire display turns on and off. When the selected cycle is complete, the dishwasher powers off automatically.</p>
02 Cycles	<p>Select the appropriate wash cycle depending on the soil level of your dishes.</p>
03 Hi-Temp	<p>Wash Raises the main wash temperature to improve cleaning for loads containing tough, baked-on food.</p> <p>NOTE Hi-Temp Wash is not available for the Delicate and Express 60 cycle.</p>
04 Sanitize	<p>The temperature rises to 156 °F (69 °C) in the final rinse cycle for high temperature sanitization. If you select the Sanitize option, the “Sanitize” lamp blinks when the water temperature reaches the sanitary temperature [over 156 °F (69 °C)], and then remains illuminated until the Sanitize option ends. When you press the POWER button, the “Sanitize” lamp turns off.</p> <p>NOTE</p> <ul style="list-style-type: none"> • The Normal cycle with the Sanitize option selected is NSF certified. • The Sanitize feature operates in accordance with NSF/ANSI Standard 184 for residential dishwashers. Certified residential dishwashers are not intended for licensed food establishments.
05 Control Lock (3sec)	<p>Control Lock lets you lock the buttons on the control panel so children cannot accidentally start the dishwasher. To activate Control Lock, hold the Control Lock button down for three (3) seconds. To de-activate Control Lock, hold the Control Lock button down for three (3) seconds again</p>
06 Indicator	<p> Rinse refill</p> <ul style="list-style-type: none"> • If the “Rinse refill” indicator is lit, it means the dishwasher is low on dishwasher rinse aid and requires a refill. <p> Delay start</p> <ul style="list-style-type: none"> • If the “Delay start” indicator is lit, it means, you selected the “Delay Start” option.
07 Display	<p>Window Displays the running time, Delay start hours, and information codes. If a problem occurs during operation, a check message will be displayed with a warning sound.</p>
08 Delay	<p>Start Delay a cycle for up to 24 hours in one-hour increments. The hour displayed indicates the time at which the wash will be started.</p>

09 START	<p>To start a cycle, press the START button before closing the door.</p> <p>* Reset: To cancel a currently running cycle and drain the dishwasher, press and hold the START button for three (3) seconds. Once the dishwasher is reset, select a cycle and option, and then press START to restart the dishwasher.</p>
-----------------	--

NOTE

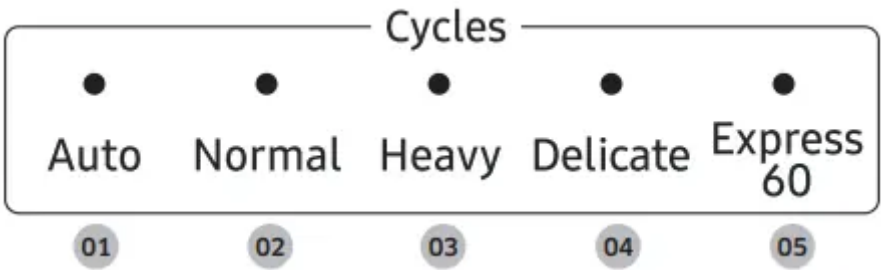
- You can select options (Hi-Temp Wash, Sanitize) before starting a cycle. If you change the cycle after selecting an option, the original cycle is reset.
- When you pause a cycle by opening the door during operation, press the START button before closing the door to continue the cycle.
 - Push the door firmly closed within 3 seconds of pressing the START button.
 - If the door is not closed within 3 seconds, the cycle will not start.
- To prevent the touchpad from losing response sensitivity, follow these instructions:
 - Touch the center of each keypad using one finger. Do not push.
 - Clean the touch control's surface regularly with a soft, damp cloth.
 - Be careful not to touch more than one button at a time, except as directed.



IMPORTANT

To get the best performance from your dishwasher, read all the operating instructions before using it for the first time.

Cycle overview



01 Auto	This cycle detects the level of soil and automatically initiates the optimal cycle, which is appropriate for all levels of soiled items.
02 Normal	For normally soiled loads, such as pots, plates, glasses, and lightly soiled pans. Standard daily cycle.
03 Heavy	Select this cycle for heavily soiled items
04 Delicate	Select this cycle for lightly soiled, fragile items such as glasses. Sanitize option is not available in this cycle
05 Express 60	Normally soiled daily using items, with short cycle time. Sanitize option is not available in this cycle.

Using your dishwasher

BASIC GUIDELINES

1. Open the door and load your dishes (see page 14).

- Place dishes into the upper and lower racks, unless you have selected Lower Rack.
- Remove any food remains from the dishes before placing them in the FlexLoad™ rack(s).
- After placing the dishes into the FlexLoad™ racks, rotate the nozzles by hand to check whether any of the dishes will interfere with them.
- Make sure the dishes will not prevent the detergent dispenser from opening.

2. Add detergent to the dispenser (see page 20).

- Make sure to use only automatic dishwasher detergent and rinse aid.
- Refer to “Using detergent” on page 21 for instructions explaining how to add detergent and rinse aid.

3. Press the Power button.

- When you press the Power button, the entire display turns on and off, and then the indicator of the most recently finished cycle lights up.
- If “Low Rinse” is illuminated, you should refill the rinse aid dispenser to improve washing and drying performance.

4. Select an appropriate cleaning cycle depending on the soil level of the dishes. (See pages 14 and 29.)

- Press the appropriate cycle button.
- When you press a cycle button, the cycle indicator lights up.

5. Press the Start button, and then close the door within 3 seconds.

- The dishwasher will start draining after a few seconds and then start the selected cycle.
- Make sure to close the door firmly. If the door is not closed properly, the selected cycle will not start automatically.

6. When the wash cycle is completed.

- The light illuminates and the dishwasher sounds a chime.
- The dishwasher powers off automatically.

CAUTION

- If you want to load more dishes or pause the dishwasher while it is already running, make sure to open the door slowly and carefully as there is a possibility of injury from the hot steam inside the dishwasher.
- If the door is opened while the dishwasher is running, a safety mechanism is activated and stops the cycle.
- To resume operation, press the START button, and then close the door within 3 seconds.
- Adding dishes several minutes after the dishwasher starts operating may affect its performance.
- If you open the door while the dishwasher is running at high temperature, it will drain the hot water automatically to protect you from scalding.

NOTE

- You should use rinse aids for better drying performance. You can further improve drying performance by also selecting the Sanitize option.
- Open the dishwasher's door, and then wait a few minutes before removing the dishes. The dishes will be cooler and drying will be improved.

Touch controls

Touch controls allow you to operate the dishwasher easily.

- They are convenient to operate, requiring only a soft touch.
- Have a simple and stylish design.
- Are easy to clean.

If you have children or you want to clean the Control Interface, we recommend activating the Control Lock feature to lock the control buttons. See page 8.

- Children will not be able to accidentally start the dishwasher by touching the controls with this option selected.
- If a cycle is running, the buttons will not respond. (except the Power button)

- If dishwasher is off, only the Power button responds.

Delay start

When you select the Delay Start option, your dishwasher will operate the selected cycle when the delay time expires.

WARNING

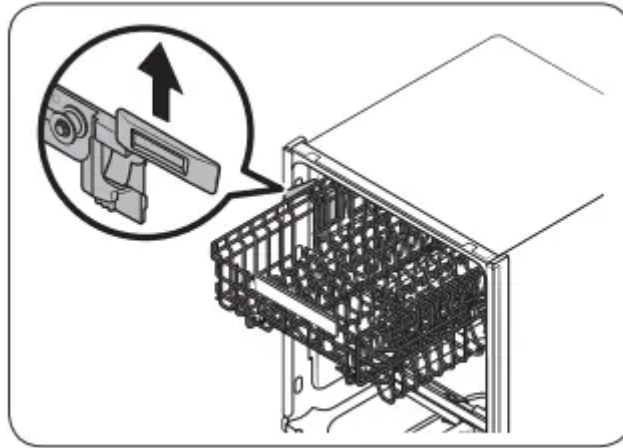
- When using the dishwasher, try to arrange the dishes properly as described on pages 18 to 20.
 - You should remove food remains such as bones, fruit seeds, etc. and any other waste such as toothpicks, paper, etc. from the dishes as these may cause damage to the dishes, create noise, or cause the dishwasher to malfunction.
 - Select the appropriate cycle depending on the level of soil and the type of dishes.
 - Use only the proper amount of detergent and rinsing agent.
- Do not wash the following items:
 - Acrylic or aluminum items: Dishes with printed gold rim decoration may become discolored.
 - Dishes treated with adhesive: Treated plastics, wood, ivory, copper, and tin may come loose.
 - Plastics with a temperature tolerance less than 194 °F (90 °C): Thin plastics wash and dry poorly, and may be damaged due to elevated wash temperatures.
 - Tin: Tin should be washed by hand and dried immediately as it may rust.
 - Wooden utensils: Wooden items may crack.

Adjusting the height of the upper rack

You can adjust the height of the upper rack so that the lower rack can accommodate larger sized dishes. Depending on the height of the upper rack, the lower rack can accommodate plates up to 29 cm in diameter, and the upper rack can accommodate plates up to 18 cm in diameter.

CAUTION

- Adjust the height of the upper rack before loading dishes into the rack. Adjusting the rack after loading the dishes may damage the dishes.
- Make sure to hold both handles when adjusting, or the dishwasher door may not close properly.



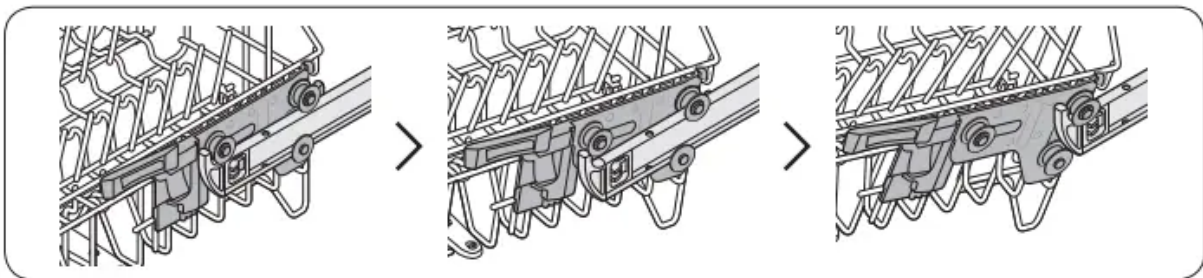
- To raise the upper rack, pull the upper rack upwards. The adjustable handle will latch, and the upper rack will raise.
- To lower the upper rack, hold both the adjustable handles located at the left and right sides of the upper rack, and then evenly press down.

Removing the upper rack

Pull the upper rack to the front until it is fully extended, and then lift it slightly to remove. See the following figures.

CAUTION

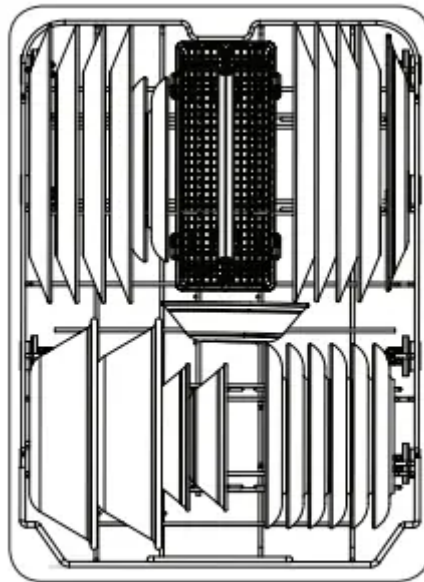
While the upper rack is removable, it must be installed for the dishwasher to operate properly. If you attempt to operate the dishwasher without the rack, noise will occur and the dishwasher will perform poorly



Loading the lower rack

The lower rack has been specially designed for dinner dishes, soup bowls, plates, pots, lids, casserole dishes, and plates.

Load large items such as pans and pots into the dishwasher so their open sides face downwards. We recommend loading cups, stemware, and small plates into the upper rack. See the recommended loading patterns below.

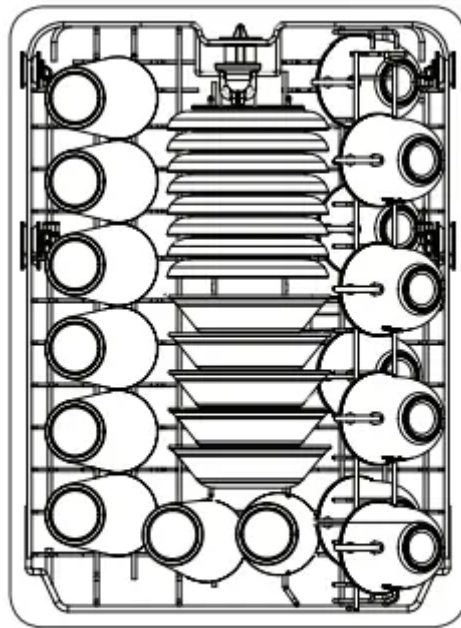


8 place setting

Loading the upper rack

The upper rack has been designed for small plates, mugs, glasses, and plastic items marked “dishwasher safe”. Load your plates into the dishwasher in two half rows, so that the front of each plate faces the back of the plate in front of it, and the open sides of the plates at the center of the dishwasher face each other. See the figures below.

Make sure the loaded dishes do not interfere with the rotation of the nozzle which is located at the bottom of the upper rack. (Check this by rotating the nozzle by hand.) When loading dishes, pull the upper rack out sufficiently so you can load it without striking the counter above.

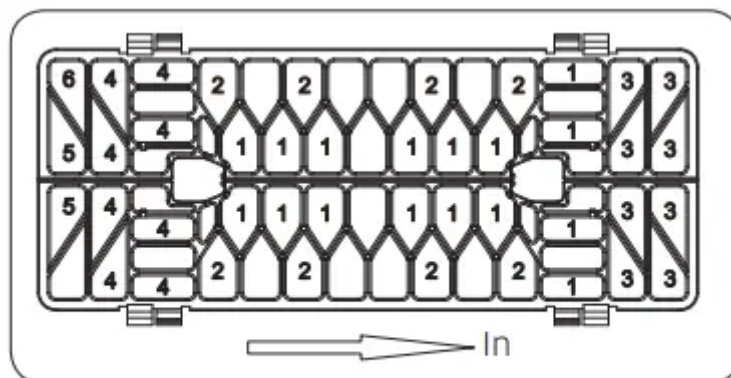


8 place setting

Using the cutlery rack

You can place each knife, spoon, or fork separately into the spoon stands in the basket's covers to prevent chipping and discoloration.

You can use the cutlery rack with the cover open.



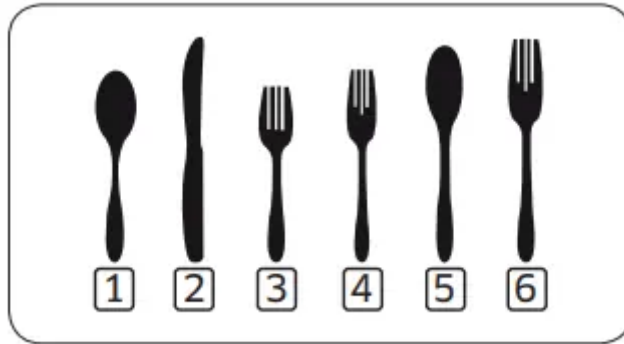
8 place setting

The spoon stands as seen from above with the suggested placement of cutlery items.

Match the numbers in the diagram to the numbers in the list of cutlery items below.

NOTE

DO NOT let any item extend through the bottom.



1. Spoons
2. Knives
3. Salad forks
4. Forks
5. Large spoons
6. Large forks

Using detergent

All dishwasher cycles require detergent in the detergent compartment.

Add the correct amount of detergent for the selected cycle to ensure the best performance.

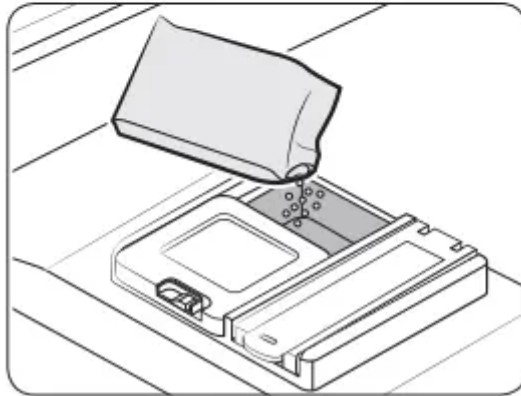
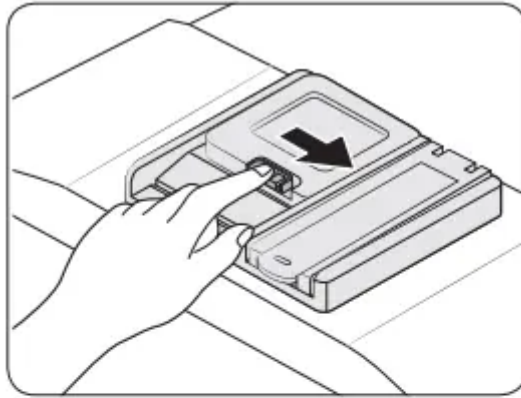
CAUTION

Use dishwasher detergent only. Regular detergent produces too much foam, which may decrease the dishwasher's performance or cause it to malfunction.

WARNING

- Do not swallow dishwasher detergent. Avoid breathing in the fumes. Dishwasher detergent contains irritants and caustic chemicals that can induce respiratory conditions. If you have swallowed dishwasher detergent or inhaled the fumes, seek medical attention immediately.
- Keep dishwasher detergent out of the reach of children.

Filling the detergent dispenser



1. Open the detergent dispenser flap by pushing the detergent dispenser release catch.

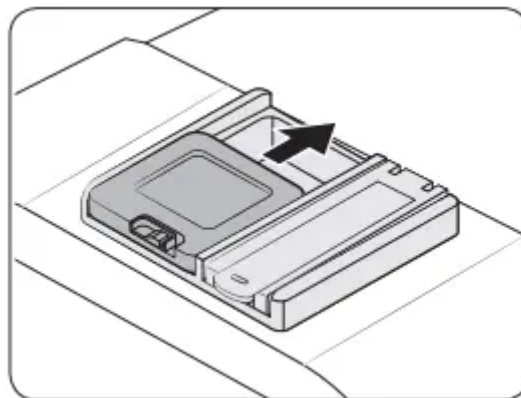
- **NOTE**

- The flap is always open at the end of a dishwashing cycle.

2. Add the recommended amount of detergent to the main wash detergent compartment.

3. Close the flap by sliding it and then pressing it down.

-



- **NOTE**

- There is no separate button that sets the dispenser for tablet detergents.

- For better cleaning result, especially if you have very dirty items, pour a small amount (about 0.3 oz or 8 g) of detergent on the door before closing it. This will activate during the pre wash phase.

The cover opens automatically to dispense the detergent during the wash.

Cycle	Amount of detergent	
	Main wash dispenser	Onto the door for pre-wash
Auto, Normal	3/4 oz (20 g)	1/3 oz (10 g)
Heavy, Express 60	1 oz (30 g)	1/2 oz (15 g)

Using rinse aid

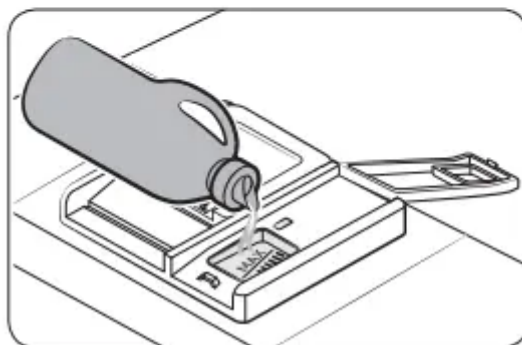
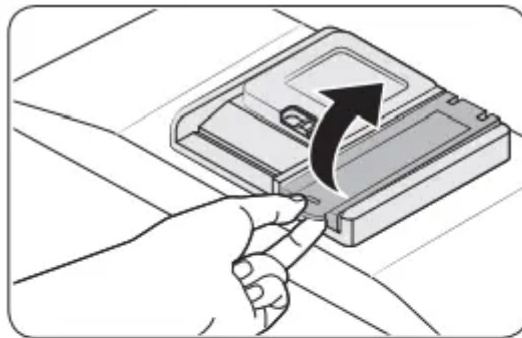
Filling the rinse aid reservoir

When the Rinse refill indicator lights up on the control panel, refill with rinse aid. Your dishwasher has been designed to use liquid rinse aid only.

Using a powdered rinse aid will clog the reservoir opening and cause the dishwasher to malfunction. Rinse aid improves the drying performance of the dishwasher.

CAUTION

Do not add regular detergent to the rinse aid reservoir.



1. Remove the rinse aid reservoir cap by lifting up the handle.

- **NOTE**
- Adding rinse aid when you use tablet detergents will improve drying performance.

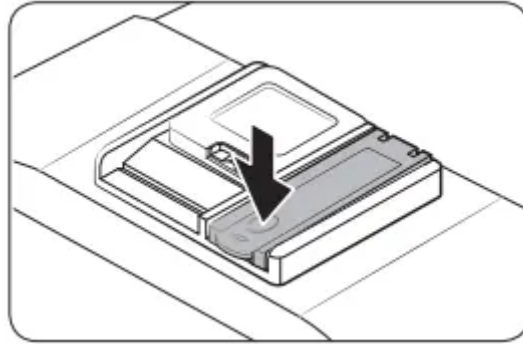
2. Fill the rinse aid reservoir with rinse aid.

- **CAUTION**

- Do not fill the reservoir above the maximum level. Excess rinse aid can overflow during the wash cycle.

3. Close the cap.

-



Setting mode

You can change the sound, auto door open function and rinse aid level settings to your preference.

Entering the Setting mode

1. Turn the dishwasher on.

2. Press and hold the Auto cycle button for five seconds within 60 seconds from turning on the dishwasher.

- When you entered the Setting mode, the display will show “0:00”.

Sound setting

You can turn the sound on or off.

1. Press the Hi Temp button to select the sound setting menu.

- The display shows the current setting. (Default setting: “U1”)

2. Press the Auto cycle button to change the setting.

- U0: Sound off
- U1: Sound on

3. Wait 5 seconds to save the setting.

Auto door open function setting

You can set the dishwasher to automatically open the door after each cycle for better drying results.

1. Press the Sanitize button to select the auto door open function setting menu.

- The display shows the current setting. (Default setting: “A1”)

2. Press the Auto cycle button to change the setting.

- A0: Function disabled
- A1: Function enabled

3. Wait 5 seconds to save the setting.

Rinse aid level setting

You can change the amount of rinse aid applied during a cycle.

1. Press the Express 60 button to select the rinse aid level setting menu.

- The display shows the current setting. (Default setting: "d4")

2. Press the Auto cycle button to change the setting.

- You can select from d1 - d5 (minimum – maximum).

3. Wait 5 seconds to save the setting.

Cleaning and care

Cleaning

Keep the dishwasher clean to improve performance, reduce unnecessary repairs, and lengthen the lifecycle.

Exterior

Clean spills on the surface of the dishwasher immediately. Use a soft, damp cloth on the control panel to gently wipe away spills and dust.

CAUTION

- Do not use benzene, wax, thinner, chlorine bleach, alcohol, or other chemical substances.
- These materials may discolour the surface of the dishwasher and cause stains.
- The dishwasher has electric parts inside. Do not spray water directly onto the dishwasher. Protect electrical components from water.
- For a stainless-steel door panel, use a stainless steel cleaner for home appliances and a clean, soft cloth.

Interior

Clean the interior of the dishwasher on a regular basis to remove any dirt or food particles. Wipe inside the dishwasher and inside the door with a wet dishcloth.

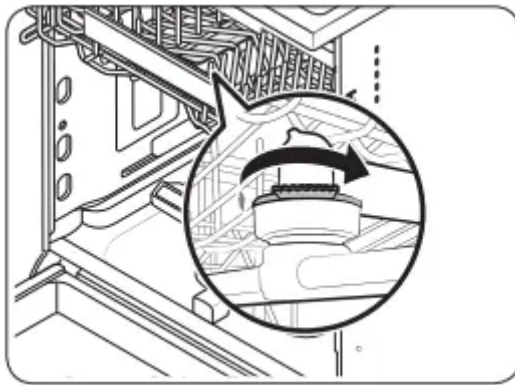
CAUTION

- Do not remove the front seal (the long rubber seal enclosing the opening of the dishwasher). The seal keeps the inner side of the dishwasher sealed.
- Use a damp cloth to remove lime scale or grease deposits inside the dishwasher. Alternatively, apply some detergent, and then run an empty cycle using the highest rinse temperature.

Nozzles

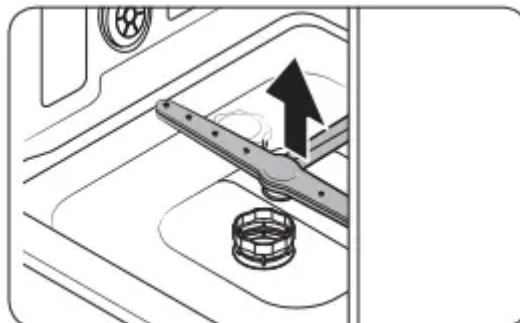
To prevent the nozzles from being clogged or if the nozzles are clogged, remove and clean each nozzle. Use caution when removing the nozzles as they may break.

Upper nozzle



1. Open the door, and then pull out the upper rack to reveal the upper nozzle.
2. Loosen and remove the nut, and then remove the nozzle.
3. Unclog and clean the nozzle.
4. Reinsert the nozzle, and then tighten the nut by hand.
5. Rotate the nozzle by hand to make sure the nozzle is engaged correctly

Lower nozzle

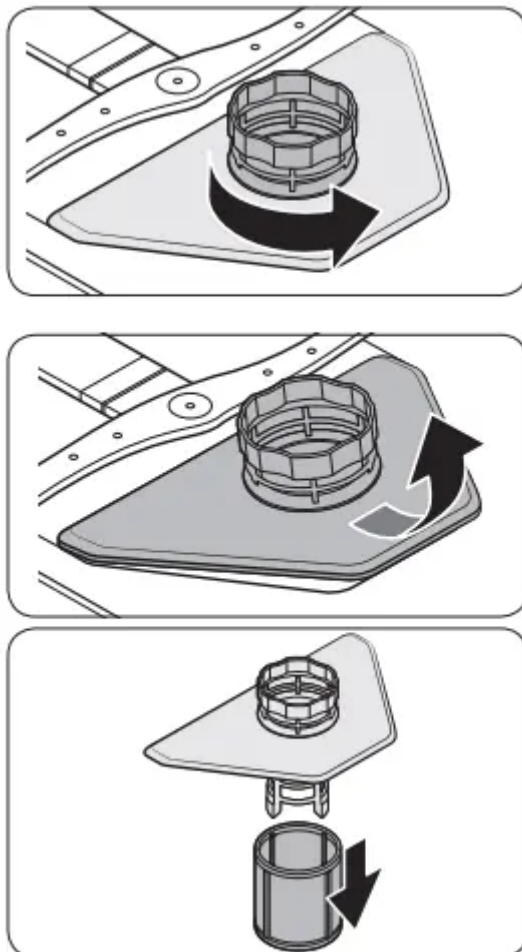


1. Open the door, and then pull out the lower rack. The lower nozzle is visible on the bottom.
2. Unclog and clean the nozzle.

3. Reinsert the nozzle.
4. Rotate the nozzle by hand to make sure the nozzle is engaged correctly

Filter

We recommend cleaning the filter every month.



1. Open the door, and then remove the lower rack first.
2. Turn the filter handle counterclockwise to unlock the Coarse filter.
3. Remove the Coarse filter, and then the cylindrical micro filter underneath.

Cleaning the door

To clean the edge around the door, you should use only a soft cloth dampened in warm water.

Also, never use abrasive cleaners or scouring pads on the outer surfaces. They will scratch the finish. Some papers towels can also scratch or leave marks on the surface.

WARNING

Never use a spray cleaner to clean the door panel. The spray can damage the door lock and electrical components. Do not use an abrasive cleaning agent or paper towels to clean the door. They can scratch the door or leave spots on the stainless steel surface.

Caring for the dishwasher

To clean the control panel, use a lightly dampened cloth then dry thoroughly. To clean the exterior, use a good appliance polish wax. Never use sharp objects, scouring pads or harsh cleaners on any part of the dishwasher.

Long-term care

If you will not use the dishwasher for an extended period of time, first drain the unit completely, and then disconnect the water hose. Shut off the water supply valve and the circuit breaker. Water remaining in the hoses or the internal components can damage the dishwasher.

Protect against freezing

If your dishwasher is left in an unheated place during the winter:

1. Cut off electrical power to the dishwasher.
2. Turn off the water supply and disconnect the water inlet pipe from the water valve.
3. Drain water from the inlet pipe and water valve. (Use a pan to catch the water.)
4. Reconnect the water inlet pipe to the water valve.
5. Remove the filter from the bottom of the tub and use a sponge to dry up any water.

How to maintain your dishwasher

After every wash

- After every wash, turn off the water supply to the appliance and leave the door slightly ajar so that moisture and odors are not trapped inside.

Remove the plug

- Before cleaning or performing maintenance, always remove the plug from the socket.

No solvents or abrasive cleaners

- To clean the exterior and rubber parts of the dishwasher, do not use solvents or abrasive cleaning products. Use only a cloth and warm, soapy water. To remove spots or stains from the surface of the interior, use a cloth dampened with water and a little white vinegar, or a cleaning product made specifically for dishwashers.

When you go on vacation

- When you go on vacation, we recommend that you run a wash cycle with the dishwasher empty and then unplug the power cord, turn off the water supply and leave the door of the appliance slightly ajar. This will help the seals last longer and prevent odors from forming within the appliance.

Moving the appliance

- If the appliance must be moved, try to keep it in the vertical position. If absolutely necessary, it can be positioned on its back.

Seals

- One of the factors that causes odors to form in the dishwasher is food that remains trapped in the seals. Periodic cleaning with a damp sponge will prevent this from occurring.

Cycles

Cycle chart

Cycle		Auto	Normal	Heavy	Delicate	Express 60
Cycle sequence		Prewash ► Mainwash ► Rinse ► Hot Rinse ► Dry ► End				
Temp [°F (°C)]	Main wash	131-140 (55-60)	113-140 (45-60)	149 (65)	122 (50)	140 (60)
	Hot Rinse *Sanitize 156 °F (69 °C)	126 (52)	126 (52)	131 (55)	122 (50)	122 (50)
Water consumption [gal (ℓ)]		2.4-4.7 (9-17.7)	2.4-4.7 (9-17.7)	4.7 (17.7)	4.2 (15.9)	3.4 (12.8)
Cycle time (min.)		123-154	118-149	157	116	60

- When you select the Auto or Normal cycle, you can eliminate optional steps depending on the soil level of the dishes.
- The water consumption and wash time varies depending on the steps or options you add, and on the pressure and temperature of the supplied water.
- When you select any options, the cycle time can be changed.
- When the Rinse aid is empty, wash time and Last Rinse temperature will be increased.
- When you select the Sanitize option, drying will be added before the end of cycle.

Troubleshooting

CHECK THESE POINTS IF YOUR DISHWASHER...

PROBLEM	POSSIBLE CAUSE	SOLUTION
Will not start	The door is not closed completely	Check if the door is latched and closed completely.
	No cycle is selected	Select a proper cycle.
	The power cable is not connected.	Connect the power cable properly.
	The water supply does not work.	Check if the water supply valve is open.
	The Control Panel is locked.	Unlock the child lock, (See page 8.)
	A circuit breaker is open.	Reset the circuit breaker.
It's taking too long with an operation or cycle.	Cold water is being supplied.	Check if the water supply line is connected to a hot water supply. (Additional time is required to heat cold water.)
There are food particles remaining on dishes. (Not cleaning properly.)	You selected an inappropriate cycle.	Select a cycle according to the number and soil level of the dishes, as directed in this manual
	The water temperature is low.	Connect the water supply line to a hot water supply. For best performance, the temperature of the supplied water should be 120 °F (49 °C).
	Low water pressure.	The water pressure should be between 20 and 120 psi (140 - 830 kPa).
	Dishwasher detergent was not used.	Use automatic dishwasher detergent. We recommend a powder or gel type dishwasher detergent.
	Detergent remains in the dispenser	Make sure large items such as cookie sheets, cutting boards, or containers, etc. are not blocking the detergent dispenser and preventing it from opening properly. Rearrange the dishes so they do not interfere with detergent dispenser operation.

	There is no rinse aid.	Check the dispenser and add rinse aid. Use liquid type rinse aid.
	A nozzle is clogged.	Clean the nozzle. See page 23.
	The dishes are improperly loaded. Too many dishes have been loaded.	Rearrange the dishes so they do not interfere with nozzle rotation and detergent dispenser operation. Load only an appropriate number of dishes. Load your dishes as recommended. (See page 16.)
Leaves glasses with a dim polish.	The water supplied is soft and too much detergent was used	Underload the dishwasher and use a rinse aid to minimize this.
	Aluminum dishes were included in the wash load	Remove the marks on the dishes using a low sensitivity cleaner.
Leaves a yellow or brown film on the inside of the dishwasher	This is caused by coffee and tea soils	Remove the soils using a spot cleaner.
Does not dry dishes well.	There is no rinse aid in the dispenser.	Check the dispenser and add rinse aid. Use a liquid type rinse aid.
	The temperature of the water is low when the dishwasher is running.	Connect the water supply line to a hot water supply. Use rinse aid with the Sanitize option
	Too many dishes have been loaded.	Proper loading of items can affect drying. Load your dishes as recommended. (See page 16.)
	Glasses and cups with concave bottoms hold water. This water may spill onto other items when unloading	After the cycle finishes, empty the lower rack first and then the upper rack. This will prevent water from dripping from the upper rack onto the dishes in the lower rack.
Has a bad odor.	Water was left over from an incomplete cycle.	Insert detergent without loading dishes, and run the Normal cycle to clean the dishwasher.

	The Drain Hose is obstructed.	Contact a qualified service technician to remove any obstruction from the drain hose.
	The dishwasher is not used daily or soiled dishes are left in unit too long.	With the dishwasher empty and no detergent, place a glass with 8 ounces of vinegar upright into the lower rack, and then run a Normal cycle.
Is too noisy	Sound is generated when the dispenser cover is open and the drain pump is operating in an early stage.	This is normal operation
	The dishwasher is not level	Ensure the dishwasher is level.
	Foreign material (a screw, a plastic piece) is in the pump chamber.	Contact a qualified service technician to remove foreign material from the pump chamber.
	There is a 'chopping' sound because a nozzle is bumping against the dishes.	Rearrange the dishes
Does not have a smoothly rotating nozzle	The nozzle hole is clogged with food particles.	Clean the nozzle hole. See page 23.
	The nozzle is blocked by a dish or pot and cannot rotate.	After placing the dishes into the racks, rotate the nozzles by hand to check whether any of the dishes interfere with them
Water won't pump out of the dishwasher	The drain is clogged.	Contact a qualified service technician to remove any obstruction from the drain hose and check the drain pump operation.
Has a bent upper rack after loading dishes.	The dishes are not loaded properly.	Load your dishes as recommended. (See page 16.)
Cannot close the door.	AutoRelease™ Dry mode is in operation.	Once the door opens in the AutoRelease™ Dry mode, the door cannot be closed

manually for the next 2 minutes. You may close the door after 2 minutes.

INFORMATION CODES

The Control Panel displays information codes to help you understand what is occurring with your dishwasher.

Code	Action
LC	Leakage check <ul style="list-style-type: none"> • If a water supply valve connection leak occurs, close the water supply valve and go to your house circuit breaker panel, set the dishwasher's circuit breaker switch to off, and then contact the installer to fix. If the problem continues, contact an authorized Samsung service center.
4C	Water supply check <ul style="list-style-type: none"> • Check if the water supply valve is closed, the water supply is suspended, or the water inlet valve or line is frozen or clogged by foreign particles. If the problem continues, close the water supply valve, and then contact an authorized Samsung service center.
tC	Water supply check <ul style="list-style-type: none"> • Check if the water supply valve is closed, the water supply is suspended, or the water inlet valve or line is frozen or clogged by foreign particles. • Make sure the drain pump is working and the water in the set is drained and there are no drainage blockages. • If the problem continues, close the water supply valve, and then contact an authorized Samsung service center.
HC	High temperature heating check <ul style="list-style-type: none"> • The product ensure that the temperature for hot water line is not too high and adjusts to appropriate temperature (120 °F (49 °C) - 149 °F (65 °C)) automatically. If the problem continues, go to your house circuit breaker panel, set the dishwasher's circuit breaker switch to off , and then contact an authorized Samsung service center.
AC	PCB communication check <ul style="list-style-type: none"> • Abnormal communication between the main PCB and the sub PCB. • If the problem continues, contact an authorized Samsung service center.

Warning



This content is compiled from multiple sources and is provided for reference purposes only. It may not be complete or fully applicable to all situations. If you are unable to resolve your issue, please contact the product manufacturer or an authorized service provider for official support.

Document generated by [ManualsFile](#)