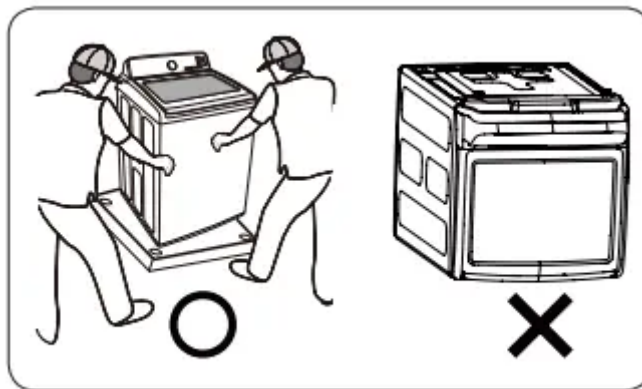


Installation

- Follow these instructions carefully to ensure proper installation of your washer and to prevent accidents when using it.
- **WARNING:** Certain internal parts are intentionally not grounded and may present a risk of electric shock only during servicing. Service personnel – Do not contact the following parts while the appliance is energized: Control board, heat sink, motor, inlet valve, heater and pump.

Unpacking your washer

- Unpack your washer and inspect it for shipping damage. Make sure you have received all the items shown on the next page. If your washer was damaged during shipping, or you do not have all of the items
- To prevent personal injury or strain, wear protective gloves whenever lifting or carrying the unit.
- **WARNING:** Packing materials can be dangerous to children; Keep all packing material (plastic bags, polystyrene, etc.) well out of children's reach.

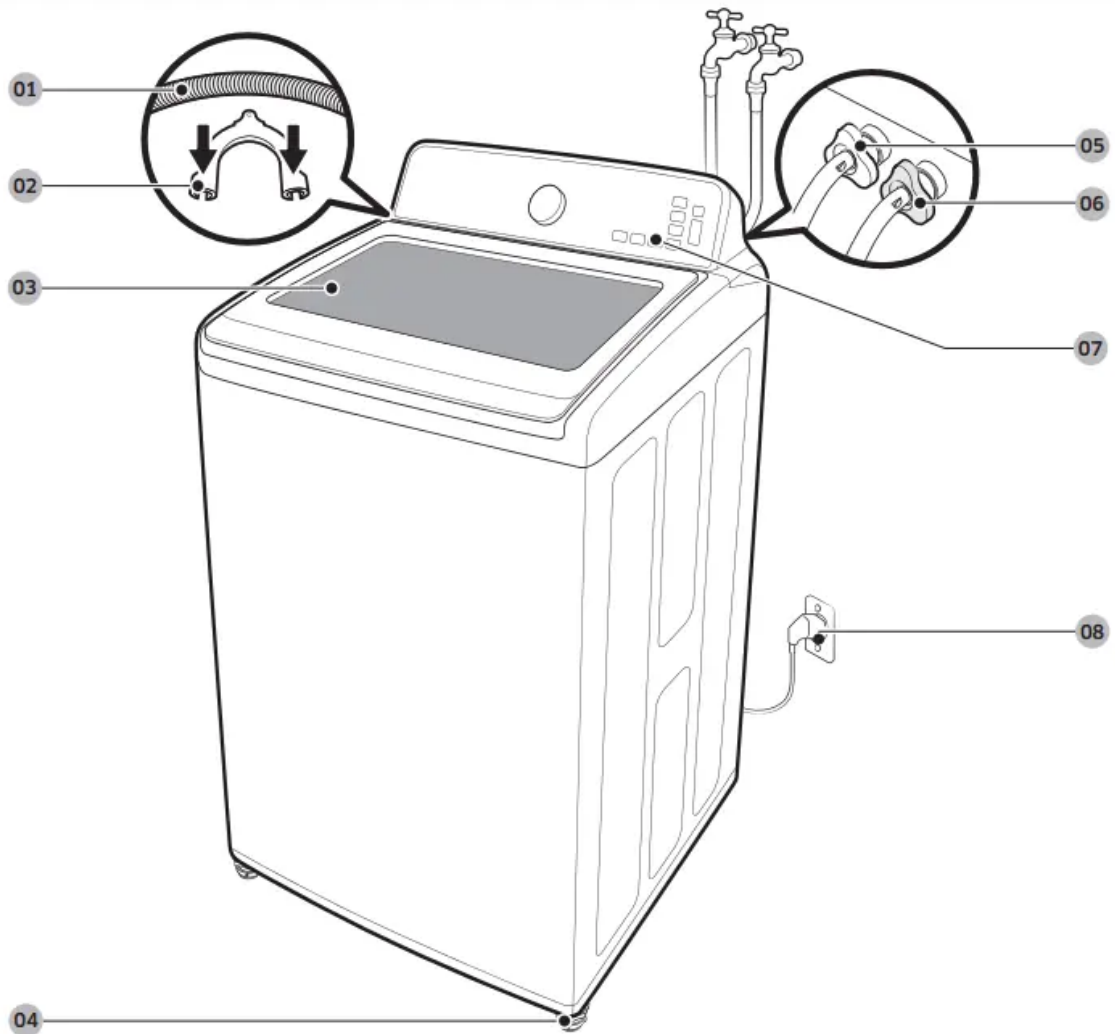


CAUTION

- When unpacking the washer, 2 person collaboration is needed. To remove the cushion bottom of the packing materials, forward dumping is strictly prohibited.
- When you lay the washer down to remove carton base, should protect the side of washer and lay it carefully. Never lay your washer on its back or front.

Overview of your washer

- Make sure all the parts are included in the product package. If you have a problem with the washer or the parts, contact the Samsung customer care center or the retailer



01 Drain hose

02 Hose guide

03 Lid

04 Leveling feet

05 Water hose (Hot)

06 Water hose (Cold)

07 Control panel

08 Power cord

Parts supplied



Hose guide



User manual

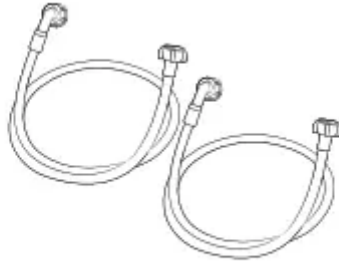


Plastic zip hose tie



Water intake cap

Parts not supplied



Water hoses

Tools needed for installation



Wrench



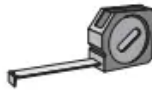
Flat screwdriver



Leveler



Adjustable Plier



Measuring tape

NOTE

- If you lose an accessory and want to purchase a replacement, contact the Samsung service center (1-800-SAMSUNG (1-800-726-7864)).
- The design of the parts and accessories may differ from the pictures above. Their design is subject to change without notice for product improvement.
- Do not reuse old hoses. Only use new water supply hoses when you install the washer. Old water supply hoses can leak or burst causing flooding and property damage.
- Confirm that there are rubber washers inside each coupling of the water supply hoses.

Basic location requirements

Electrical

- 120 Volt 60 Hz 15 AMP fuse or circuit breaker.
- Individual branch circuit serving only your Washer is recommended.
- Your washer is equipped with a power cord.

CAUTION: Never use an extension cord.

Grounding

- Electrical grounding is required for this appliance.

- This appliance must be grounded. In the event of malfunction or breakdown, grounding will reduce the risk of electric shock by providing a path of least resistance for electric current.
- This appliance is equipped with a power cord having a three-prong grounding plug for use in a properly installed and grounded outlet.
- The plug must be plugged into an appropriate outlet that is properly installed and grounded in accordance with all local codes and ordinances.
- **WARNING:** An improperly connected equipment grounding conductor can increase the risk of electrical shock. Check with a qualified electrician or serviceman if you are not sure whether the appliance is properly grounded. Do not modify the plug provided with the appliance – if it does not fit the outlet, have a proper outlet installed by a qualified electrician.
- **Important safety precautions:** To prevent unnecessary risk of fire, electrical shock or personal injury, all wiring and grounding must be done in accordance with the National Electrical Code ANSI/ NFPA, No.70 Latest Revision and local codes and ordinances. It is the personal responsibility of the appliance owner to provide adequate electrical service for this appliance.
- **CAUTION:** Never connect the ground wire to plastic plumbing lines, gas lines, or hot water pipes.

Water

- To correctly fill your Washer in the proper amount of time, water pressure of 20 to 116 psi (137 to 800 kPa) is required. Water pressure less than 20 psi may cause water valve failure, or may not allow the water valve to shut off completely, or may extend the fill time beyond what your Washer controls allow, causing your Washer to turn off. A time limit is built into the controls to prevent flooding in your home if a hose becomes loose.
- The water faucets must be within 4 feet (122 cm) to the back of your Washer to match the inlet hoses provided with your Washer.

NOTE: Accessory inlet hoses are available in various lengths up to 10 feet (275 cm) for faucets that are further away from the back of your washer. To avoid the possibility of water damage:

- Have water faucets easily accessible.
- Turn off faucets when the washer is not in use.
- Periodically check that there is no leakage from the water inlet hose fittings.

WARNING: Check all connections at the water valve and faucet for leaks

Drain facility

- The recommended height of the standpipe is 39 in (99 cm). The drain hose must be routed through the drain hose clip to the standpipe. The standpipe must be large enough

to accept the outside diameter of the drain hose. The drain hose is attached to the washer at the factory.

Flooring

- For best performance, you must install your washer on a solidly constructed floor. Wood floors may need to be reinforced to minimize vibration and/or unbalanced load situations. Carpeting and soft tile surfaces are contributing factors to vibration which can cause your washer to move slightly during the spin cycle.
- Never install your washer on a platform or weakly supported structure.

Location considerations

- Do not install your washer in areas where water may freeze, since your washer will always retain some water in its water valve, pump, and hose areas. Frozen water can damage the belts, the pump, hoses, and other components

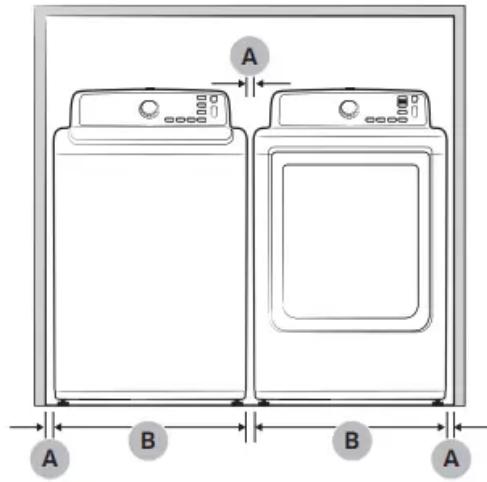
Alcove or closet installation

Minimum clearances for closet and alcove installations:

Sides	1 in / 25 mm	Closet front	1 in / 25 mm
Rear	5.9 in / 150 mm	Top	21 in / 533 mm

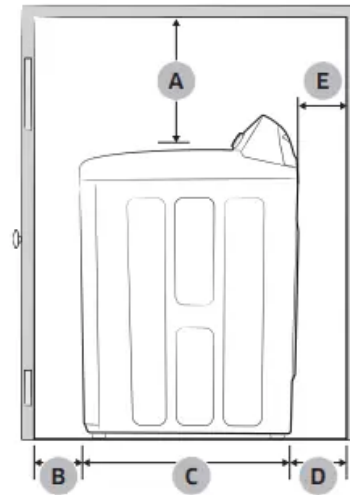
- If the washer and dryer are installed together, the closet front must have at least a 72 in² (465 cm²) unobstructed air opening. Your washer alone does not require a specific air opening.

Recessed area



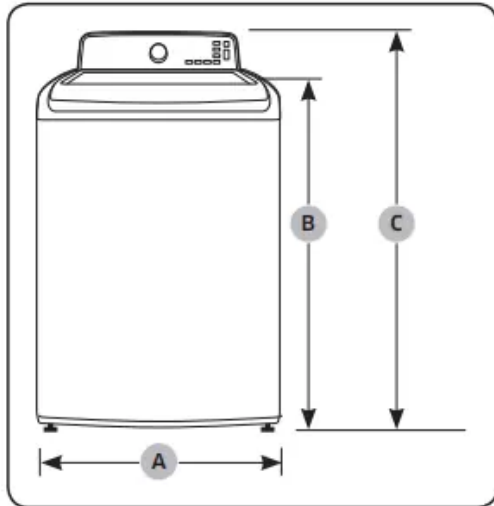
A	1 in (2.5 cm)
B	27.0 in (68.6 cm)

Side view - closet or confined area

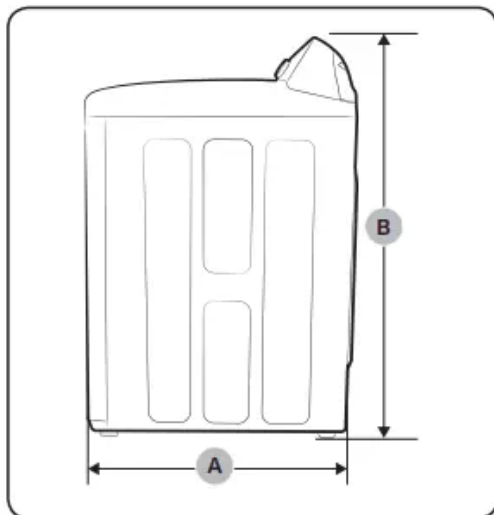


A	21 in (53.3 cm)
B	1 in (2.5 cm)
C	29 7/16 in (74.4 cm)
D	5.9 in (15.0 cm)
E	<p>Gap between end of water valve and the wall</p> <ul style="list-style-type: none"> Case 1. Assemble supply hose after installing : Over 4 in (10 cm). Case 2. Assemble supply hose before installing : Over 3 in (8 cm).

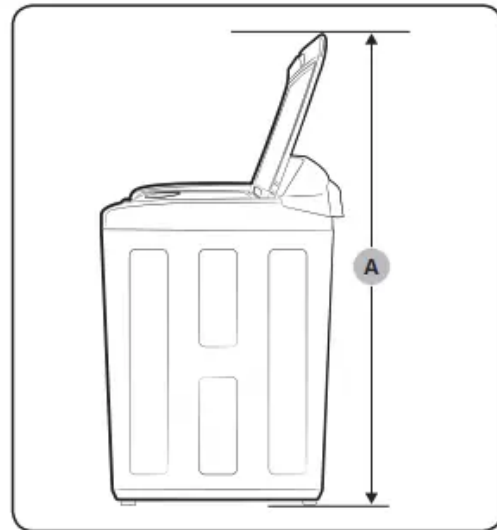
Required dimensions for Installation



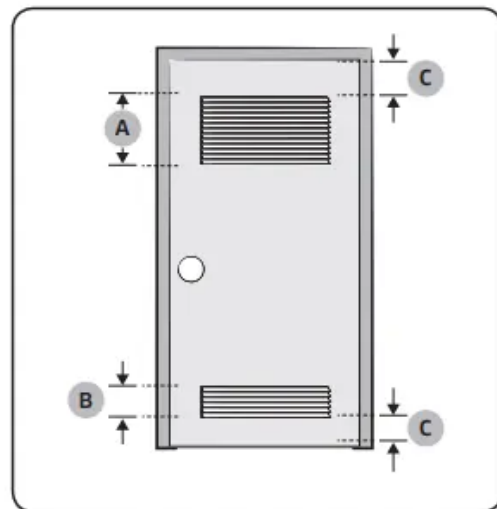
A	27.0 in (68.6 cm)
B	40.2 in (102.2 cm)
C	43.9 in (111.7 cm)



A	29.3 in (74.4 cm)
B	43.9 in (111.7 cm)



A	59.4 in (151.0 cm)
---	--------------------



A*	48.0 in ² (310.0 cm ²)
B*	24.0 in ² (155.0 cm ²)
C	3.0 in (7.6 cm)

NOTE

* Required spacing

Step-by-step installation

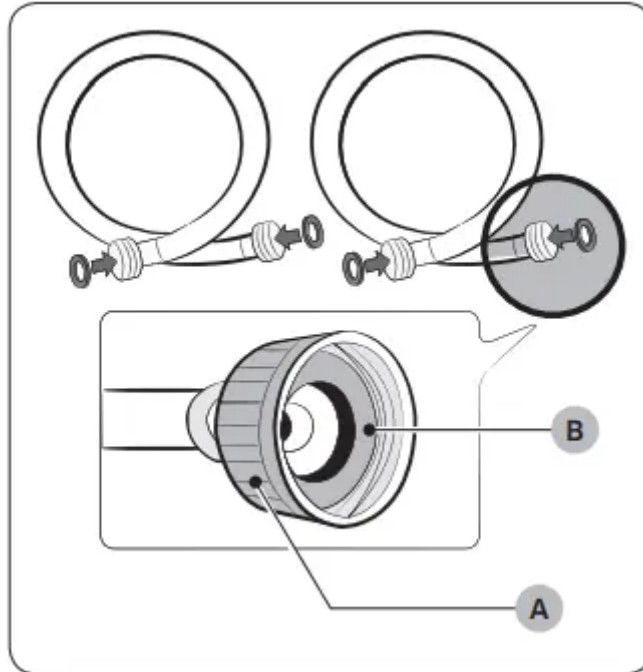
STEP 1 Select a location

Before you install the washer, make sure the location:

- Has a hard, level surface without carpeting or flooring that may obstruct ventilation.
- Is away from direct sunlight.
- Has adequate ventilation.

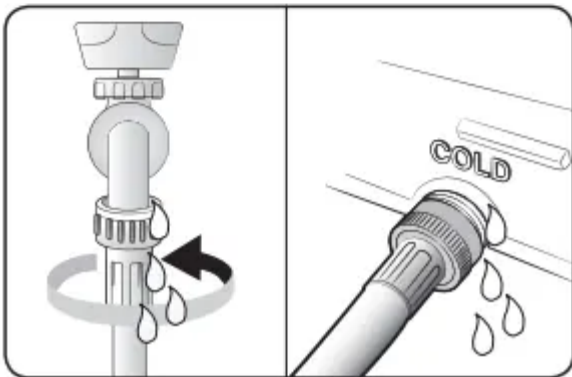
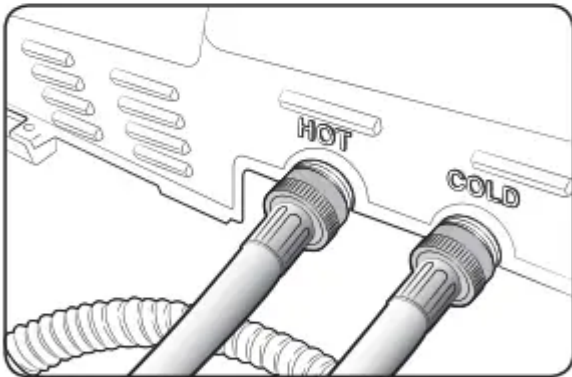
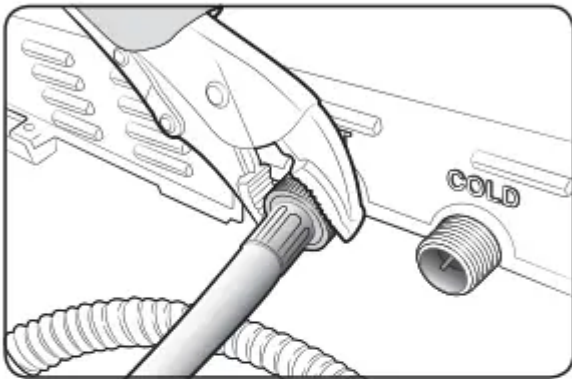
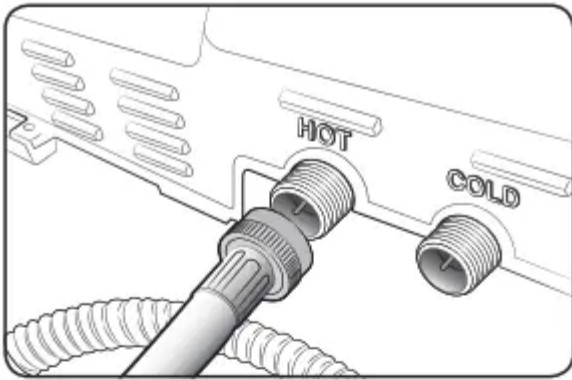
- Is not exposed to freezing temperatures (temperatures under 32 °F or 0 °C).
- Is away from heat sources such as oil or gas.
- Has enough space so that the washer doesn't rest on its power cord.

STEP 2 Connecting the water supply hose



CAUTION

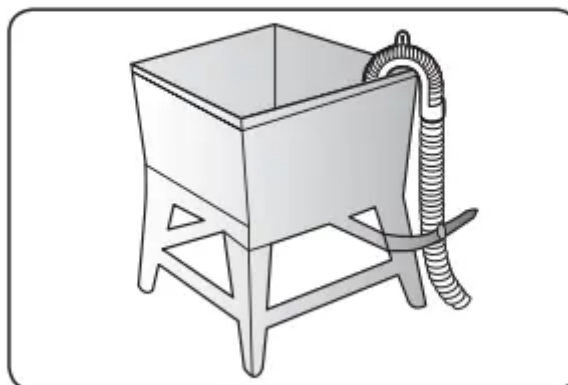
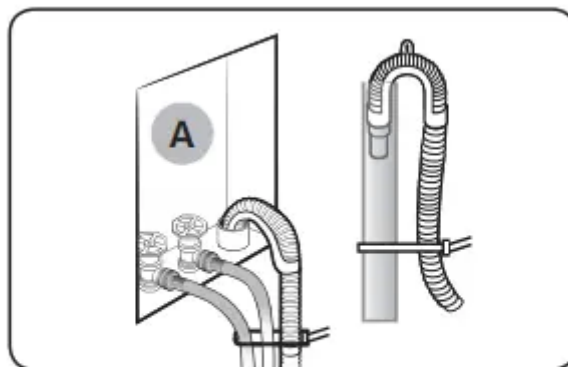
- Before installing the water supply hoses, make sure there are rubber gaskets (B) inside the couplings (A) at both ends of each new water hose. Installing the water supply hoses without rubber gaskets can cause water leakage.
- When you initially install the washer, be sure to use new hoses. Failing to do so may result in a water leakage or overflow and may damage your property.
- Do not connect multiple water supply hoses together to increase the length of the supply hose. Hoses connected this way can leak and the leakage can cause electrical shock. If a hose is too short, replace the hose with a longer, high pressure hose.



1. Connect the ends of the water supply hoses to the hot and cold faucets.
2. Tighten the fittings by hand until they are snug, and then tighten them an additional two-thirds of a turn with a plier.

3. Place the unconnected ends of the hoses into a bucket and open the faucets connected to the two water supply hoses for 10 or 15 seconds to remove any foreign substances from the hoses. Close the faucets before continuing.
4. Connect the ends of the water supply hoses to the water supply intake connections at the back of the washer.
5. Tighten the fittings by hand until they are snug, and then tighten them an additional two-thirds of a turn with a plier.
6. Turn on the hot and cold water supplies and check all the water supply intake connections and the faucets for water leaks.

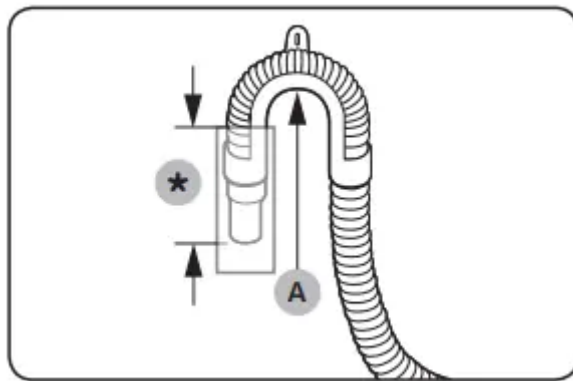
STEP 3 Connect the drain hose



The end of the drain hose can be positioned in three ways:

- In a Wall standpipe or Floor standpipe:
 - The height of end of standpipe must be no lower than 39 in (99 cm) and no higher than 96 in (245 cm).

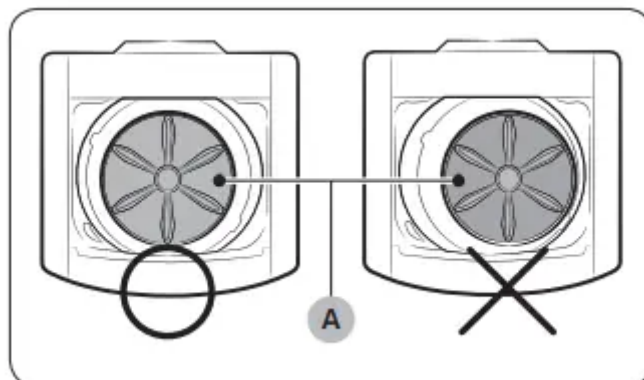
- If drain pipe are built into the wall with water valves (A), fasten the drain hose to the water hose.
- In a laundry tub:
 - The height of the tub must be no lower than 39 in (99 cm) and no higher than 96 in (245 cm).
 - Assemble the supplied Hose guide at the end of the drain hose, and put the hanger on laundry tub.
 - And fasten the drain hose to the leg of laundry tub



NOTE

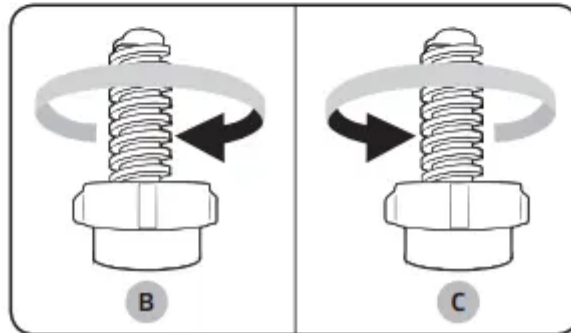
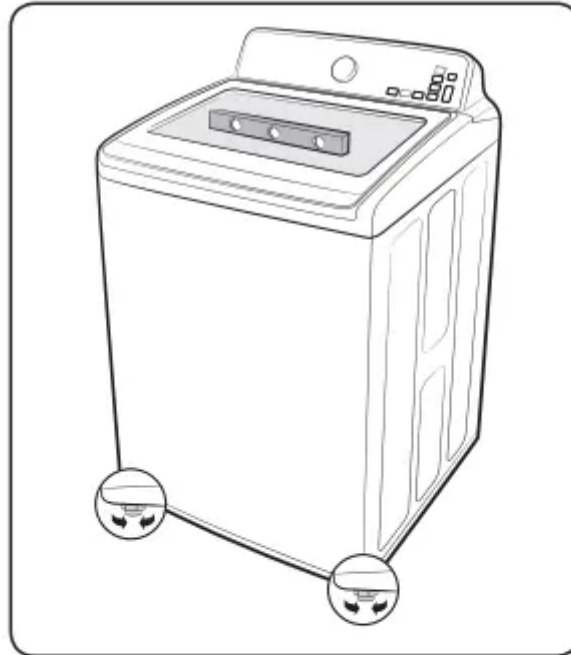
- Connect the hose guide (A) within 3~5 in (7.6~12.7 cm)* from the end of the drain hose. If the drain hose is extended beyond the end of the hose guide, mold or microorganisms could spread inside the washer.
- The drain hose can be installed to a 96 in (245 cm) maximum, but the draining capability can be reduced at this height. It can cause the washer to have an odor because of remaining water in the drain system.
- If the drain hose is installed below 39 in (99 cm), water can be drained in cycles due to a siphon phenomenon. It causes the washer to display “4C”.

STEP 4 Leveling the washer



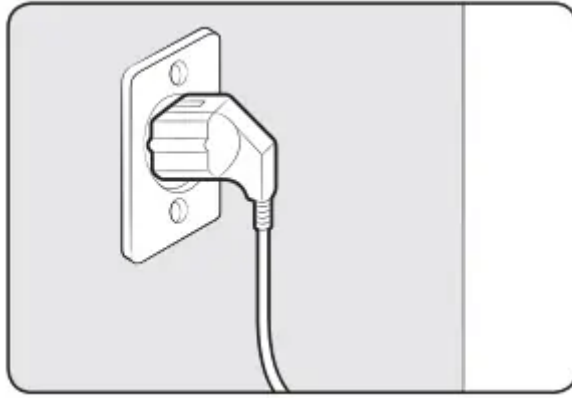
See if the washer is level by checking the position of the tub:

1. Slide the washer into position.
2. Open the lid and check the pulsator. If the washer is level, the pulsator (A) will be positioned at the center of the tub.
3. If the washer is level, the pulsator (A) is positioned at the center of the water as shown in the figure. If not, level your washer by turning the front leveling feet clockwise or counterclockwise as necessary.



NOTE: Turn the front leveling feet clockwise (B) to lower the washer, and counterclockwise (C) to raise the washer.

STEP 5 Powering your washer



- Plug the power cord into a 3-prong, well grounded 120 volt 60 Hz approved electrical outlet protected by a 15-amp fuse or comparable circuit breaker.
- Your washer is grounded through the third prong of the power cord when plugged into a three-prong grounded electrical outlet.
- Test run: Make sure that you install your washer correctly by running the Rinse+Spin after the installation is complete.

STEP 6 Running a test cycle: Run a test cycle as follows to check if your washer is properly installed.

1. Load about 6 pounds of laundry into the tub.
2. Press POWER to turn on your washer.
3. Select Rinse+Spin by turning the Cycle Selector.
4. Press START/PAUSE to start the test cycle.
5. The washer should not rock or vibrate excessively when water is supplied or when washing or spinning, and should drain well during the spin cycle.

NOTE

- If water leaks while water is being supplied or drained, check the water connections. See the “STEP 2 Connect the water hose” section
- If the washer rocks and vibrates excessively, level your washer again. See the “STEP 4 Level the washer” section

STEP 7 Run calibration (recommended)

Calibration ensures accurate weight detection by the washer. Make sure the tub is empty before running calibration.

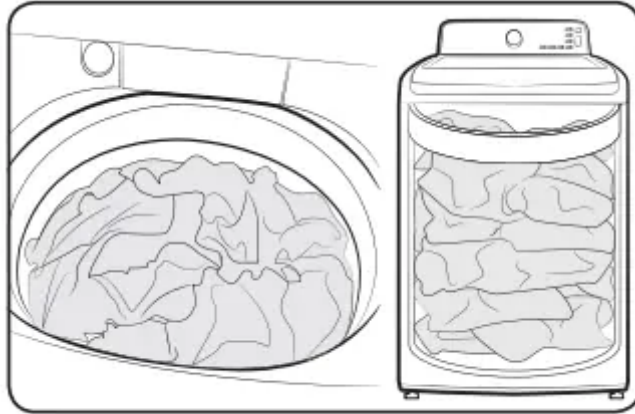
1. Press POWER to turn on the washer.
2. Press and hold Temp. and Soil simultaneously for 3 seconds.
3. Press START/PAUSE to start calibration.
4. The tub rotates clockwise for approximately 2 minutes.

5. When complete, “0” appears on the display, and the washer turns off automatically.

NOTE: Run Calibration Mode periodically for more accurate weight detection.

Operating instructions

Loading your washer



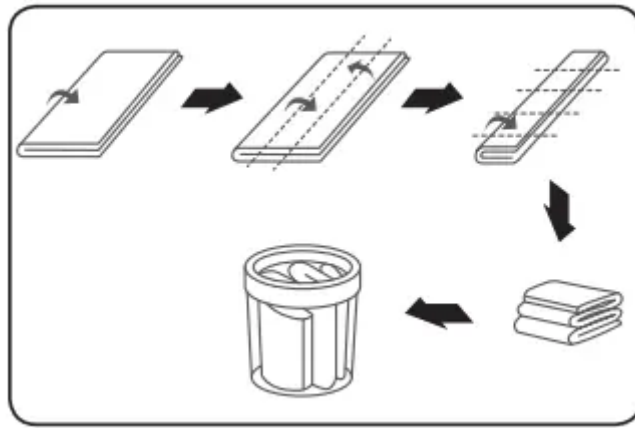
- Fill the tub with dry, unfolded clothes evenly around in order to enhance washing efficiency and prevent excess wear, or wrinkling of the load.
- For optimal washing performance, make sure the laundry is piled up evenly.
- Wash delicate items such as bras, hosiery, and other lingerie in the Delicates cycle with similar lightweight items.
- When washing big bulky items or a few smaller items that don't fill the tub completely – a rug, a pillow, stuffed toys, or one or two sweaters, for example – add a few towels to improve spin performance.
- Do not insert bulky items except for Bedding in this cycle.

NOTE: During the spin cycle, the washer may add additional water to redistribute the clothes and correct an imbalance inside the drum.

- When washing heavily soiled loads, do not overload your washer to ensure good cleaning results.

CAUTION

- Inflatable items may cause damage to the laundry or the machine during the wash or drying process.
- Regardless of the size, blankets or quilts are safer and cleaner to wash one item at a time. Two different-sized blankets in the same load may compromise the drying performance due to unbalanced loads.



To input a blanket: Fold the blanket into the blanket-specific net as shown, and then insert in the tub below the plastic area of the tub.

CAUTION: Make sure the laundry is inserted completely.

- Any exposed part of the laundry may cause damage to the machine or the laundry itself, or a water leak.
- Do not overload the tub. Make sure no part of the laundry is exposed outside of the tub.


To add a forgotten item:

1. Press **START/PAUSE** to pause the washer.
2. Wait for the door to unlock automatically, and then open the door.
3. Add the item, close the door, and then press **START/PAUSE**. The cycle will resume.

Getting started

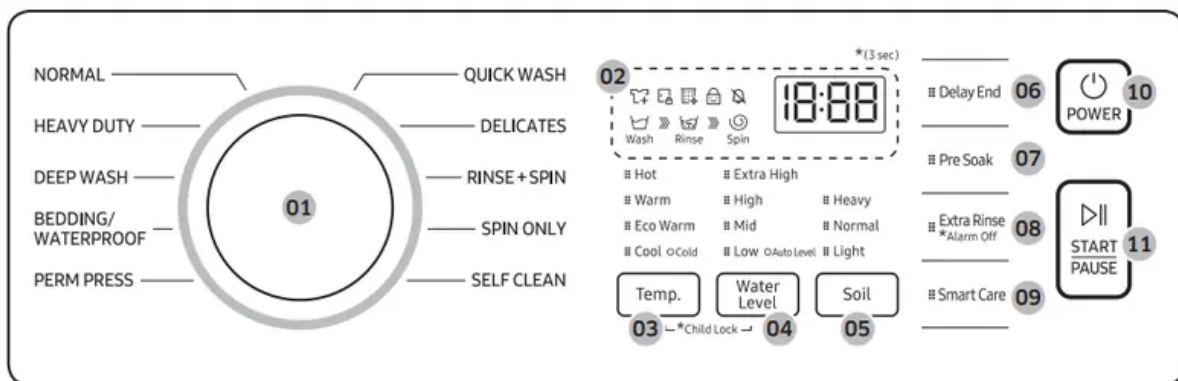
1. Load your washer.
2. Add liquid (or powder) detergent and additives to the dispenser (see the "Detergent use" section).
3. Select the appropriate cycle and options for the load (see the "Washing a load of laundry" section).
4. Close the lid.
5. Press **START/PAUSE**.
6. The Wash Indicator illuminates.
7. The estimated cycle time will appear in the display. The time may fluctuate to indicate the time remaining in the cycle. **NOTE** The actual time required for a cycle may differ from the estimated time in the display depending on the water pressure, water temperature, detergent, and laundry.
8. Before your washer starts to fill, it will make a series of clicking noises to check the door lock and do a quick drain.

NOTE

- When the cycle is complete, the  Door Lock indicator will go out and “0” will appear in the display.
- Pressing POWER cancels the cycle and stops your washer.
- The Wash, Rinse, and Spin indicators will illuminate during those portions of the cycle.

Washing a load of laundry

Control panel



01 Cycle Selector Turn the Cycle Selector to select the desired cycle. The indicator by the cycle name lights up.

02 Display Provides instructions and diagnostics while keeping you updated on the cycle status and time remaining.

03 Temp.

- Press the button repeatedly to cycle through the different water temperature options.
 - Hot - Whites and heavily soiled, colorfast items.
 - Warm - Colorfast items.
 - Eco Warm - Moderately soiled, colorfast items; most wrinkle-free items.
 - Cool - Brightly colored, very lightly soiled items.
 - Cold - Cold water with no warm water added.
- NOTE: If you select the Tap Cold option, all the lamps for the water temperature options are turned off.

04 Water Level Press this button to select the water level manually. For optimal performance, set the water level to Auto Level. To select Auto Level, press this button repeatedly until all the lamps of the water level are off.

05 Soil Press the button to select the soil level/washing time.

- Heavy - For heavily soiled loads.
- Normal - For moderately soiled loads. This setting is best for most loads.
- Light - For lightly soiled loads.

06 Delay End Delay the end of any cycle for up to 24 hours in one-hour increments. Displayed hour indicates the time the wash will be ended.

07 Pre Soak It adds 18 minutes soaking time at the start of the wash cycle for better stain removal.

08 Extra Rinse Change from spray rinse mode to deep rinse mode, and rinse once again.

09 Smart Care This function enables you to check the status of the washer using a smartphone.

10 POWER Press once to turn your washer on. Press again to turn your washer off. If the washer is left on for more than 10 minutes without any buttons being pressed, the power automatically turns off.

11 START/PAUSE Press to pause and restart cycles.

Cycle overview

NOTE: The washer detects the weight of the items and automatically adjusts the optimal water level, washing time, rinse counts, and spin counts. (This may not be applicable on some cycles.)


- **NORMAL:** For cottons, bed linens, table linens, underwear, towels, or shirts. The washing time and the number of rinses are automatically adjusted according to the load.
- **HEAVY DUTY:** For sturdy, colorfast fabrics, heavily soiled items.
- **DEEP WASH:** Use more water in washing and rinsing.
- **BEDDING/ WATERPROOF:** For bulky and large items, such as comforters, blankets, and sheets, and waterproof or water resistant items. When washing comforters, use liquid detergent. **CAUTION**
 - Do not wash waterproof items and non-waterproof items together.
 - Check the specification label on each item to see if the item is waterproof.
 - Use the **BEDDING/WATERPROOF** cycle for waterproof or water-resistant items such as plastic mats, ski pants, raincoats, and comforters which hardly absorb water.
- **PERM PRESS:** For wash-and-wear, synthetic fabrics, and lightly to normally soiled items.
- **QUICK WASH:** For lightly soiled garments needed quickly.

- DELICATES:
 - For sheer fabrics, bras, lingerie (silk), and other handwashonly fabrics.
 - For best performance, use liquid detergents.
- RINSE+SPIN
 - For loads that need rinsing and spinning only.
 - You can also select this cycle for additional rinsing and spinning after running other cycles
- SPIN ONLY
 - For loads that needs spinning only.
 - You can also select this cycle for additional spinning after running other cycles.
- SELF CLEAN
 - Cleans the drum by removing dirt and bacteria from the drum.
 - Perform once every 20 washes.
 - Make sure the drum is empty.

Options

Child Lock: Child Lock prevents children from playing with your washer.

Activating the Child Lock function: Press and hold Temp. and Water Level simultaneously for approximately 3 seconds.

- When you activate the Child Lock function, the  Child Lock indicator blinks.

Using the Child Lock function: If the lid is opened when the Child Lock function is on, “dC” is displayed and an alarm sounds.

- If the water level in the tub is above the safe water level, “dC” is displayed on the LED display and the washer starts to drain water by force after 30 seconds.
- If the water level in the tub is above the safe water level and the Child Lock function is turned on while the door is open, “CL” is displayed on the LED display even if the power of the washer is turned off and the washer drains water by force.
- Even if the power of the washer is turned off, if the lid is opened while the water level in the tub is above the Reset water level, “CL” is displayed on the LED display without the alarm sounding and the washer starts to drain water. When the draining operation finishes, the power is automatically turned off again.
- You have activated the Child Lock function while the washer is running, the START/PAUSE button will not work.


- After the compulsory drain, the “CL” blinks at 1 second intervals and the product enters the “CL” mode. (When the product is in the “CL” mode, only the POWER button works.)
- To cancel the “CL” mode, you need to turn the power off and then on again.
- To cancel the “dC” mode, deactivate the Child Lock function. To deactivate the Child Lock function, press and hold Temp. and Water Level simultaneously for at least 3 seconds.

NOTE: Adding laundry when Child Lock is on To add laundry, deactivate the Child Lock function. To deactivate the Child Lock function, press and hold Temp. and Water Level simultaneously for at least 3 seconds. See the “Pause Option” section on page 37 for additional details

Deactivating the Child Lock function: Press and hold both Temp. and Water Level simultaneously for approximately 3 seconds.

- When you deactivate the Child Lock function, the Child Lock indicator is turned off.
- The Child Lock function prevents children or the infirm from accidentally operating the washer and injuring themselves.

Deactivating the Child Lock function: Press and hold both Temp. and Rinse simultaneously for approximately 3 seconds.

- When you deactivate the Child Lock function, the  Child Lock indicator is turned off.
- The Child Lock function prevents children or the infirm from accidentally operating the washer and injuring themselves.

WARNING: If a child enters the washer, the child may become trapped and suffocate.

CAUTION

- Once you have activated the Child Lock function, it continues working even if the power is turned off.
- Forcing the lid open can result in injury or damage to the product.

NOTE: To add laundry after you have activated the Child Lock function, you must first deactivate the Child Lock function.

Delay End

You can set the washer to start your wash automatically at a later time, by choosing a delay time. The hour displayed indicates the time at which the wash will be ended.

1. Set your wash cycle.
2. Press Delay End repeatedly until the delay time is set.
3. Press START/PAUSE. The “Delay End” indicator will be lit, and the clock will begin counting down until it reaches the set time.

4. To cancel a Delay End function, press the POWER button and then turn the washer on again.

Pre Soak

Use this function when the laundry is heavily contaminated or stained. This function improves the wash performance by adding a Pre Soak cycle.

- If you select this function, the total cycle time is increased by 18 minutes.
- When the Pre Soak cycle starts, the washer repeats a wash cycle after supplying water and then performs a 18-minute soak cycle.
- When the Pre Soak cycle is complete, the configured wash cycle starts without draining water.

Smart Care

To enable this function, you must first download the Samsung Laundry app from the Play Store or the App Store and install it on a mobile device that has a camera function. The Smart Care function has been optimized for Galaxy and iPhone mobile devices (applicable models only).

1. When the washer detects an issue to check, an information code appears on the display. To enter Smart Care mode, press Smart Care.
2. The washer starts the self-diagnosis procedure and displays an information code if a problem is detected.
3. Run the Samsung Laundry app on your mobile device, and then tap Smart Care.
4. Put the mobile device close to the washer's display so that the smartphone camera and the washer face each other. The information code will be recognized automatically by the app.
5. When the information code is recognized correctly, the app provides detailed information about the problem with applicable solutions.

NOTE

- The function name, Smart Care, may differ depending on the language.
- If the washer's display reflects light, the app may fail to recognize the information code.
- If the app fails to recognize the information code, you can enter the code manually on the app.

Washing clothes using the cycle selector

Your new washer makes washing clothes easy, using Samsung's "Fuzzy Control" automatic control system. When you select a wash program, the machine will set the correct temperature, washing time, and washing speed.

1. Press POWER.

2. Open the lid.
3. Load the articles of clothing one at a time loosely into the drum, without overfilling it.
4. Add liquid (or powder) detergent, softener, and/or bleach (if necessary) to the appropriate compartments. See the "Detergent use" section
5. Close the lid.
6. Use the Cycle Selector to select the appropriate cycle according to the type of material: NORMAL, HEAVY DUTY, DEEP WASH, BEDDING/WATERPROOF, PERM PRESS, QUICK WASH, DELICATES, RINSE+SPIN, and SPIN ONLY. The relevant indicators will illuminate on the control panel.
7. At this time, you can control the wash temperature, the number of rinse cycles, the spinning speed, and the delay time by pressing the appropriate option button.
8. Press START/PAUSE and the wash will begin. The process indicator will light up and the remaining time for the cycle will appear in the display

Pause Option: To remove or add laundry items, follow these steps:

1. Press START/PAUSE to unlock the lid. NOTE: The lid cannot be opened when the water is too HOT.
2. Remove or add laundry items.
3. Close the lid, and then press START/ PAUSE to restart the wash. NOTE If you have Child Lock on, you must deactivate it first.

When the cycle is finished: After the total cycle has finished, the power will turn off automatically.

1. Open the lid.
2. Remove laundry

ATC (Auto Temperature Control)

- ATC is the control function that the washer controls water temperature with temperature sensor (thermistor).
- NOTE: Because there are numerous water temperatures depending on the customer's environments (cold areas, warm areas, various water temperatures, settings of heater temperature, etc.), ATC function in our washer maintains the certain level of wash temperature to output the best washing performance at each cycle.
- NOTE: If you select NORMAL cycle, this cycle is the regulation and UL cycle. Since new washers must reduce the amount of energy usage as a first priority, customers will notice more cold water entering the washer. But, this is normal, not a problem. In those regulation cycles, Hot temperature is similar to acceptable adult bath-water temperature and warm temperature is similar to comfortable swimming-pool water temperature.

- NOTE: If customers want to wash clothes in specific water temperatures, customers should choose a different cycle at each temperature (Hot/Warm/Eco Warm)

Special features

Active Waterjet (for prewash)



You can use the Active Waterjet function to hand-wash your items before you put them in the washer.

1. Press Power to turn on your washer.
2. Open the lid.
3. Press Active Waterjet to supply water.
4. Hand-wash the items.
5. When done, press Active Waterjet again to stop the water.

NOTE: If you want to hand-wash while the washer is operating, press Start/Pause (Hold to Start) to stop operation, and then follow steps 1-4 above.

NOTE

- The Active Waterjet function stops operating automatically when the washer detects the maximum water level.
- The Active Waterjet function stops operating automatically 5 minutes after it begins. To add more water, press Active Waterjet again to resupply water.

- If the Active Waterjet function is activated immediately after the washer turns on, the washer will spray water for 1 second before supplying water through the Active Waterjet outlet.
- To drain water added by the Active Waterjet function, turn the power off. Water will be drained automatically for few minutes and you can turn the power on again when the water is completely drained.

CAUTION

- Do not block the Active Waterjet outlet with hands. Water may leak outside the tub, causing a system failure.
- Do not use the Active Waterjet to wash shoes, food, or pets.
- Due to differences in air pressure, water coming from the Active Waterjet may splatter when you first activate it.
- Make sure the lid is closed tightly before you start a load of laundry

Detergent use

- For the best cleaning results, use a high efficiency detergent such as Tide HE, Wisk HE, Cheer HE or Gain HE*. High efficiency detergents contain suds suppressors that reduce or eliminate suds. When fewer suds are produced, the load tumbles more efficiently and cleaning is maximized. (* Brand names are trademarks of their respective manufacturers.)
- **WARNING:** For best results, use HE detergents only. Do not use regular detergent, organic detergent, natural detergent or HE detergents with natural ingredients (such as vinegar, baking soda).
- **NOTE:** Reducing the amount of detergent may reduce the quality of cleaning. It is important to pre-treat stains, sort carefully by color and soil level, and avoid overloading.

Features

Automatic dispenser

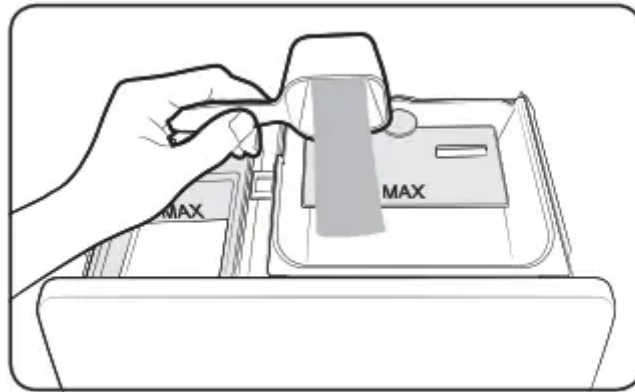
- Your washer has separate compartments for dispensing detergent and color-safe bleach and fabric softener. Add all laundry additives to their respective compartments before starting your washer.
- The automatic dispenser must always be in place before you start your washer. **DO NOT** open the automatic dispenser when your washer is running.

NOTE

- Never exceed the manufacturer's recommendations when adding detergent.

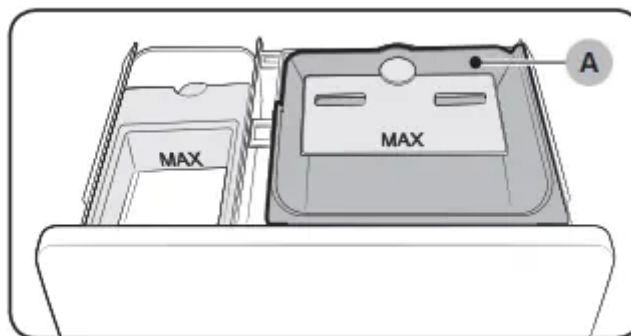
- This compartment holds liquid detergent for the main wash cycle, which is added to the load at the beginning of the cycle.
- When using powdered detergent, remove the liquid detergent compartment from the detergent drawer. The washer will not dispense powdered detergent from the liquid detergent compartment.

To add detergent to the automatic dispenser:



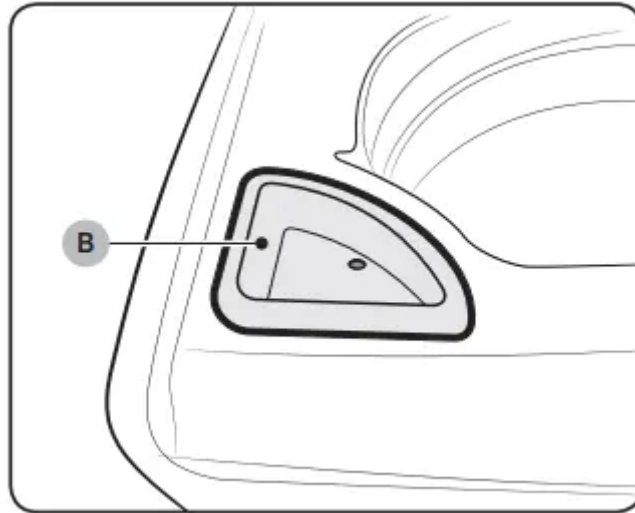
1. Open the dispenser drawer.
2. Load the recommended amount of liquid (or powder) detergent into the detergent compartment before you start your wash.
3. Close the drawer slowly and smoothly to avoid spilling, splashing, or premature dispensing of the contents

Loading the Liquid (or Powder) detergent compartment



1. Pour the recommended amount of laundry detergent directly into the detergent compartment before starting your washer.
2. If you are using color-safe bleach, add it with the detergent to the detergent compartment.

Loading the Bleach compartment

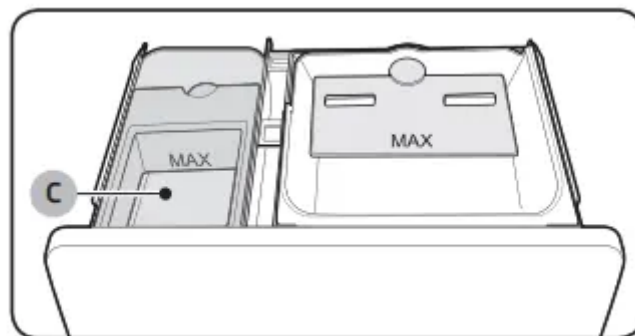


1. Add chlorine bleach to the bleach compartment (B). DO NOT exceed the bleach compartment.

NOTE

- Avoid splashing or over-filling the compartment.
- Never pour undiluted liquid chlorine bleach directly onto the load or into the tub. It is a powerful chemical and can cause fabric damage, such as weakening of the fibers or color loss, if not used properly.
- If you prefer to use color-safe, add it to the appropriate detergent compartment. DO NOT pour color-safe bleach into the Bleach compartment.

Loading the fabric softener compartment



1. Pour the recommended amount of liquid fabric softener into the softener compartment (C). For smaller loads, use less than one capful.
2. Dilute the fabric softener with water until it reaches MAX FILL in the compartment.
3. The dispenser automatically releases liquid fabric softener at the proper time during the rinse cycle.

Maintaining your washer

WARNING: Certain internal parts are intentionally not grounded and may present a risk electric shock only during servicing. Service personnel – Do not contact the following parts while the appliance is energized: Control board, heat sink, motor, inlet valve, heater and pump.

Cleaning the exterior

1. Turn off the water taps after finishing the day's washing. This will shut off the water supply to your washer and prevent the unlikely possibility of damage from escaping water. Leave the lid open to allow the inside of your washer to dry out.

2. Use a soft cloth to wipe up all detergent, bleach, or other spills as they occur. Clean the following as recommended below:

- Control Panel – Clean with a soft, damp cloth. Do not use abrasive powders or cleaning pads. Do not spray cleaners directly on the panel.
- Cabinet – Clean with soap and water.

Cleaning the exterior

1. Turn off the water faucets after finishing the day's washing. This will shut off the water supply to your washer and prevent the unlikely possibility of damage from escaping water. Leave the lid open to allow the inside of your washer to dry out.

2. Use a soft cloth to wipe up all detergent, bleach or other spills as they occur.

3. Clean the following as recommended: Control Panel – Clean with a soft, damp cloth. Do not use abrasive powders or cleaning pads. Do not spray cleaners directly on the panel.

Cleaning the interior

- Clean the interior of your washer periodically to remove any dirt, soil, odor, mold, mildew, or bacterial residue that may remain in your washer as a result of washing clothes.
- Failure to follow these instructions may result in unpleasant conditions, including odors and/or permanent stains on your washer or laundry.
- Hard water deposits may be removed, if needed. Use cleaners labeled "Washer safe".

Storing your washer

Washers can be damaged if water is not removed from hoses and internal components before storage. Prepare your washer for storage as follows:

1. Select the Quick Wash cycle and add bleach to the automatic dispenser. Run your washer through the cycle without a load.
2. Turn the water faucets off and disconnect the inlet hoses.

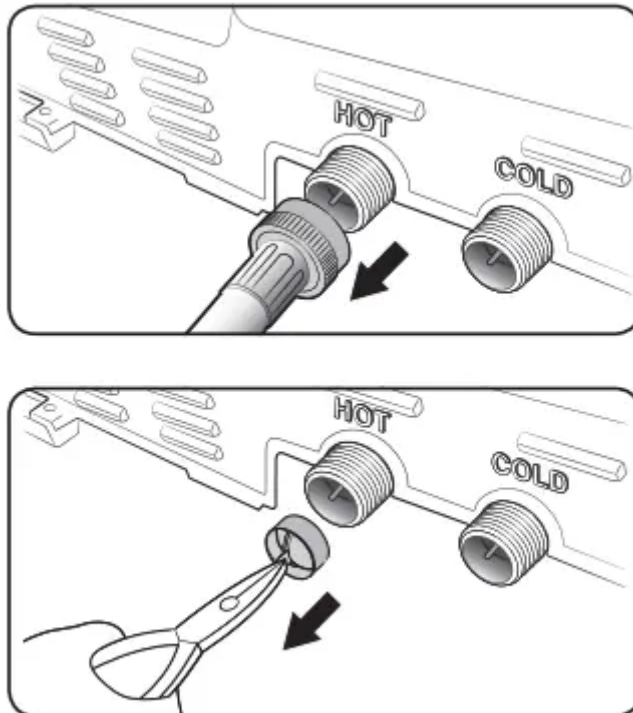
3. Unplug your washer from the electrical outlet and leave your washer lid open to let air circulate inside the drum. If your washer has been stored in below-freezing temperatures, allow time for any leftover water in your washer to thaw out before use.

Preserving the top cover and the front frame

- Do not place any heavy or sharp objects or a detergent box on the washer. They can scratch or damage the top cover of the unit.
- NOTE: Since the entire washer has a high-gloss finish, the surface can be scratched or damaged.
- Avoid scratching or damaging the surface when using the washer.

Cleaning the mesh filter

Clean the mesh filters in the water inlets once or twice a year.



1. Turn off the washer, and then unplug the power cord.
2. Close the faucet.
3. Loosen and disconnect the water hose from the back of the washer. Cover the hose with a cloth to prevent water from gushing out.
4. Use pliers to pull out the mesh filter from the inlet valve.
5. Submerge the mesh filter deeply in water so that the threaded connector is also submerged.
6. Dry the mesh filter completely in a shaded area.

7. Reinsert the mesh filter into the inlet valve, and reconnect the water hose to the inlet valve.

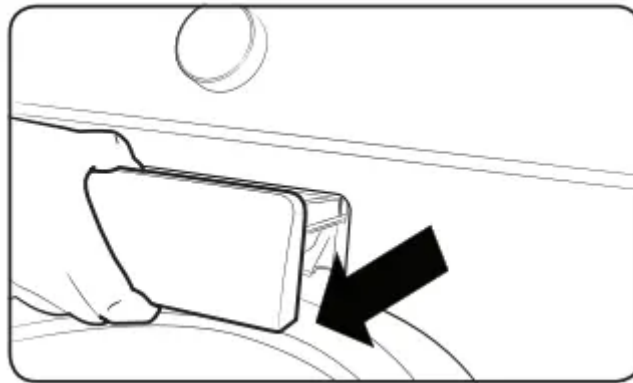
8. Open the faucet.

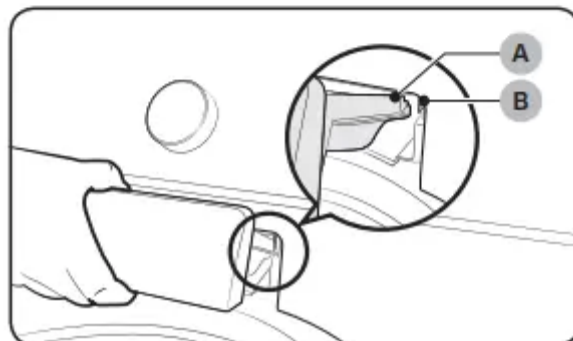
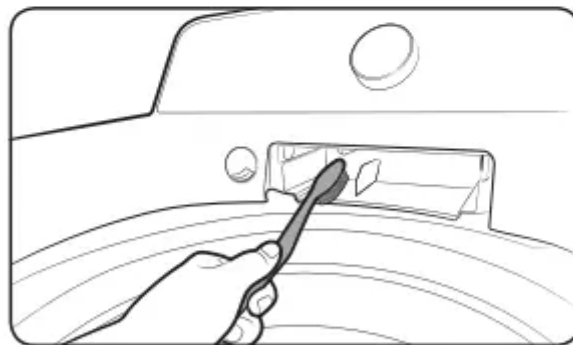
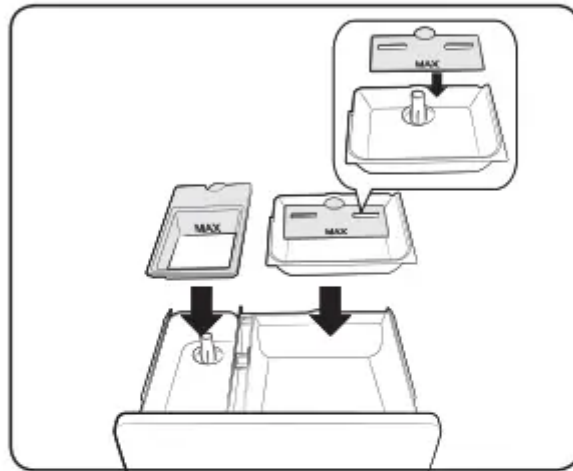
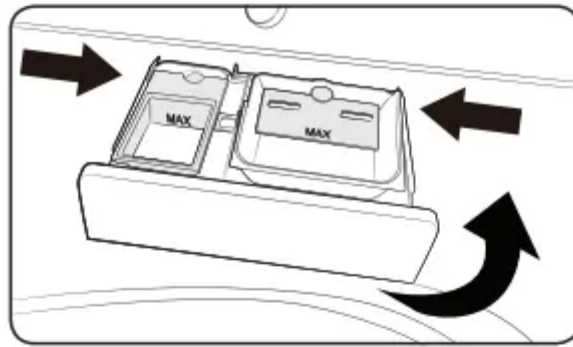
NOTE: If the mesh filter is clogged, the “4C” information code appears on the washer's display screen.

Cleaning the dispensers

The automatic dispenser may need to be cleaned periodically due to laundry additive buildup.

1. Pull the dispenser drawer straight back until it stops.





2. While pushing both sides of the dispenser drawer, lift and pull it to remove. 3. Remove the inserts from the

3 compartments. Rinse the inserts and the drawer with warm water to remove traces of accumulated laundry products.

4. To clean the drawer opening, use a small, non-metal brush to clean the recess. Remove all residue from the upper and lower parts of the recess

5. Return the inserts to the proper compartments and replace the drawer by placing the dispenser drawer rail (B) on top of the compartment rail (A) (Tilt the dispenser drawer downward and insert it). Then push the drawer in firmly and slowly

Self Clean

Certain usage and environmental conditions may result in some residue build-up or odor in the washer tub. To prevent this build-up of residue or odor causing bacteria and keep your washer tub fresh and clean, perform the Self Clean cycle at least once a month or every 20 cycles. Perform the recommended procedure below when using the Self Clean cycle.

1. Remove all items from the washer tub and ensure the tub is empty. Laundry left in the tub during the Self Clean cycle may be damaged.
2. Press POWER.
3. Turn the Cycle Selector to SELF CLEAN.
4. Press START/PAUSE. Self Clean begins.

NOTE

- The water temperature for Self Clean is defaulted to Hot. This temperature cannot be changed.
- In the case where residue is present in the washer tub, add 1 cup (8 fl.oz, 240 ml) of liquid chlorine bleach to the bleach compartment before you start the Self Clean cycle. Do not use or mix any other detergent or chemicals during the Self Clean cycle.
- If necessary, run a RINSE+SPIN Cycle after the Self Clean cycle has completed to help remove any remaining residue.

CAUTION

- Check the washer tub before using the Self Clean cycle. Remove any remaining water in the tub by running a SPIN cycle prior to starting the Self Clean cycle.
- If there is chlorine bleach left in the washer tub for an extended period of time, rust can occur

Self Clean reminder

- After 20 washing cycles, the Self Clean LED reminder icon and the Self Clean cycle LED will blink on the control panel for an hour and then turn off automatically.

- The reminder will appear on the control panel for 5 additional consecutive cycles before turning off. The next reminder will not appear until another 20 cycles have been completed.

Troubleshooting

Checkpoints

If you encounter a problem with the washer, first check the table below and try the suggestions.

1. Does not turn on.

- Make sure your home electrical system is providing electrical power that matches the requirements of the washer.
- Make sure the power cord is completely plugged in.
- Check the fuse or reset the circuit breaker.

2. Does not start.

- Make sure the door is closed.
- Make sure the water taps are open.
- Make sure to press or tap Start/Pause to start the washing machine.
- Make sure Child Lock is not activated.
- Before the washing machine starts to fill, it will make a series of clicking noises to check the door lock, and then does a quick drain.
- Was the door opened during the spinning cycle? Close the door, and then press or tap Start/Pause (Hold to Start) to resume.
- The machine enters Standby or is in a soaking cycle. Please wait.
- Check the fuse or reset the circuit breaker.

3. Water is not supplied.

- Make sure you press or tap Start/Pause after selecting the cycle and options.
- Make sure the water taps are open.
- Is the filter net at the water supply hose connector clogged? Clean the filter net by brushing with a toothbrush
- Is the water supply cut off? If the water supply is cut off, close the tap and power off.
- Straighten the water supply hoses.
- Open and close the door, and then press or tap Start/Pause (Hold to Start).
- If the water pressure is low, it takes longer to start washing.

- If the water level is not as high as necessary or lower than expected, use the level selector to adjust the water level.

4. After a cycle, detergent remains in the automatic dispenser.

- Make sure the washing machine is running with sufficient water pressure.
- Make sure the detergent drawer is properly inserted.
- Remove and clean the detergent drawer, and then try again.

5. Vibrates excessively or makes noise.

- Make sure the washing machine is on a level floor. If the floor is not level, use the levelling feet to adjust the washing machine.
- Make sure the washing machine is not contacting any other object.
- Make sure the laundry load is balanced.
- Make sure the laundry is spread evenly in the washing machine. Spread out the laundry evenly and start again.
- Make sure the space around the washing machine is free of objects.
- Humming is produced normally during operation.
- Objects such as coins can cause noise. Remove these objects from the washing machine after washing is complete.

6. Stops.

- Plug the power cord into a live electrical outlet.
- Check the fuse or reset the circuit breaker.
- Close the door, and then press or tap Start/Pause (Hold to Start) to start the washing machine. For your safety, the washing machine will not spin unless the door is closed.
- Before the washing machine starts to fill, it will make a series of clicking noises to check the door lock, and then does a quick drain.
- There may be a pause or soak period in the cycle. Wait briefly and the washing machine may start.
- Make sure the inlet hose filters at the taps are not clogged. Periodically clean the filters.
- This problem can occur temporarily due to low voltage in your household electrical system. It will be resolved when the voltage returns to normal.

7. Fills with the wrong temperature water.

- Fully open both water taps.
- Make sure the temperature selection is correct.
- Make sure the hoses are connected to the correct water taps. Flush water lines.

- Disconnect the hoses and clean the mesh filters. The water inlet mesh filters may be clogged.
- While the washing machine fills, the water temperature may change as the automatic temperature control feature checks incoming water temperature. This is normal.
- While the washing machine fills, you may notice just hot and/or just cold water going through the dispenser when cold or warm temperatures are selected. This is a normal function of the automatic temperature control feature as the washing machine determines the water temperature.

8. Door (Lid) locked or will not open.

- While the washing machine is operating, press or tap Start/Pause (Hold to Start) to stop the washing machine.
- It may take a few moments for the door lock mechanism to disengage.

9. Does not drain and/or spin.

- Check the fuse or reset the circuit breaker.
- Make sure the electrical voltage is normal.
- Make sure the washing machine is plugged in.
- Make sure the drain hose is pointed downward. (Natural drain models only)
- Make sure the drain hose is not clogged.
- Make sure the drain hose is not kinked.
- Straighten the drain hose. If there is a drain restriction, call for service.
- Close the door, and then press or tap Start/Pause (Hold to Start). For your safety, the washing machine will not spin unless the door is closed.

10. Load is wet at the end of the cycle.

- Use the High or Extra High spin speed cycle. (Applicable model only)
- Use high efficiency (HE) detergent to reduce oversudsing.
- The load is too small. Small loads (one or two items) may become unbalanced and not spin completely.

11. Leaks water.

- Make sure all hose connections are tight.
- Make sure the water supply hoses' rubber washers are in the correct position. Screw tightly again.
- Make sure the end of the drain hose is correctly inserted and secured to the drain system.
- Avoid overloading.

- Use high efficiency (HE) detergent to prevent oversudsing.
- Make sure the water supply hose is not kinked.
- If the water supply pressure is too strong, water may leak. Close the water tap a little.
- Make sure water is not leaking from the water tap. If it is, repair the water tap.

12. Excessive suds.

- Use high efficiency (HE) detergent to prevent oversudsing.
- Reduce the detergent amount for soft water, small loads, or lightly soiled loads.
- Non-HE detergent is not recommended.

13. The spin basket or drain/supply hose is frozen.

- Use warm water to disconnect the water supply hose and drain hose. Soak them in warm water.
- Fill the spin basket with warm water, and then wait for about 10 minutes.
- Put a hot towel on the drain hose connector.
- Reconnect the water supply hose and drain hose, and then check if water is supplied properly.

14. Water drains out immediately.

- Make sure the drain hose is not clogged, and is hung over the drain hose hook. Fill the spin basket halfway with water, and try spinning again.
- Lift the end of the drain hose to prevent water from draining. Fill the spin basket halfway with water, and then run the Spin cycle after releasing the drain hose.
- Make sure the drain hose is installed correctly. See the installation section of this user manual and adjust the position of the drain hose as instructed.

15. Stains on clothes.

- Select an appropriate cycle for the laundry. Use the HEAVY DUTY cycle for stained clothes.
- Apply a recommended amount of detergent as instructed by the detergent manufacturer.
- Clean the magic filter (if it comes with your washer) on a regular basis.

16. Has odors.

- Excessive suds collect in recesses and can cause foul odors.
- Run a SELF CLEAN cycle to sanitize periodically.
- Dry the washing machine interior after a cycle has finished.

Information codes

The washer may display information codes to help you understand what is occurring with your washer better.

1. 1C

- The Water Level sensor is not working properly.
 - Check WaterLevel Sensor wire harness.
 - If the information code remains, contact a customer service centre.
- NOTE: If the washer displays “1C”, the washer will automatically drain for 3 minutes. During this time, the Power button is inoperative.

2. 3C: Check the motor for operation.

- Try restarting the cycle.
- If the problem continues, call for service.

3. 4C

Water is not supplied.

- Make sure the water taps are open.
- Make sure the water hoses are not clogged.
- Make sure the water taps are not frozen.
- Make sure the washing machine is operating with sufficient water pressure.
- Make sure that the cold water tap and the hot water tap are properly connected.
- Clean the mesh filter as it may be clogged.

NOTE: If the washer displays “4C”, the washer will automatically drain for 3 minutes. During this time, the Power button is inoperative.

4. 4C2

- Make sure the cold water supply hose is firmly connected to the cold water tap. If it is connected to the hot water tap, laundry may be damaged when some cycles are run.

5. 5C: Water is not draining.

- Make sure the drain hose is not frozen or clogged.
- Make sure the drain hose is positioned correctly, depending on the connection type.
- Clean the mesh debris filter as it may be clogged.
- Make sure the drain hose is straight all the way to the drain system.
- If the information code remains, contact a customer service centre

6. 9C1 The electronic control needs to be checked (Over Voltage Error).

- Check the PCB and wire harness.
- Check if power is supplied properly.
- If the information code remains, contact a customer service centre.

7. 9C2: Low voltage detected.

- Check if the power cord is plugged in.
- Turn off the washer, unplug it, wait one minute, and then plug the washer in again. If the information code remains, contact a Samsung customer service center.

8. AC6: Inverter Communication problem.

- Turn off the washer, unplug it, wait one minute, and then plug the washer in again.
- If the information code remains, contact a Samsung customer service center.

9. dC Operating the washer with the door open.

- Make sure the door is properly closed.
- Make sure laundry is not caught in the door.

10. HC: High temperature heating check.

- If the information code remains, contact a customer service centre

11. LC: Check the drain hose.

- Make sure the end of the drain hose is positioned correctly.
- Make sure the drain hose is not clogged.
- Turn off the washer, unplug it, wait one minute, and then plug the washer in again. If the information code remains, contact a Samsung customer service center.

NOTE: When the washer displays “LC”, the washer do draining for 3 minutes. During this time, the Power button is inoperative.

12. OC: Water overflowed.

- Restart after spinning.
- If the information code remains on the display, contact a local Samsung service centre

13. PC: When position of the clutch can't be detected.

- If the information code remains, contact a customer service centre.

14. PC1: After position of the clutch is detected, if the signal of the clutch hall goes wrong.

- If the information code remains, contact a customer service centre.

15. Ub: Spinning does not work.

- Make sure laundry is spread out evenly.

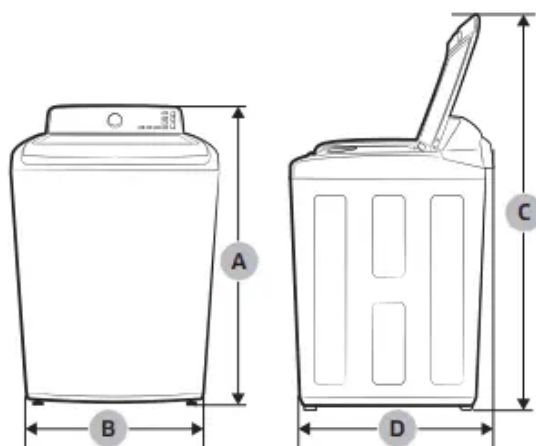
- Make sure the washing machine is on a flat, stable surface.
- Redistribute the load. If only one item of clothing needs washing, such as a bathrobe or pair of jeans, the final spin result might be unsatisfactory, and an “Ub” check message will appear in the display.

16. Ur: Display for additional rinsing.

- Show additional rinsing in sensing unbalance.
- Method of releasing the display. Any key input.

Specifications

Specification sheet



Type		Top loading washer	
Model name		WA45T3400**	
Dimensions (inches (cm))	A. Height	43.9 (111.7)	
	B. Width	27.0 (68.6)	
	C. Height with lid open	59.4 (151.0)	
	D. Depth	29.3 (74.4)	
Water pressure (psi (kPa))		20 - 116 (137 - 800)	
NET weight (kg (lb))		61.0 (134.5)	
Spin revolution		700 rpm	
Heater rating	Washing	120 V	700 W
	Spin	120 V	400 W
	Drain	120 V	80 W

Warning

This content is compiled from multiple sources and is provided for reference purposes only. It may not be complete or fully applicable to all situations. If you are unable to resolve your issue, please contact the product manufacturer or an authorized service provider for official support.

Document generated by [ManualsFile](#)