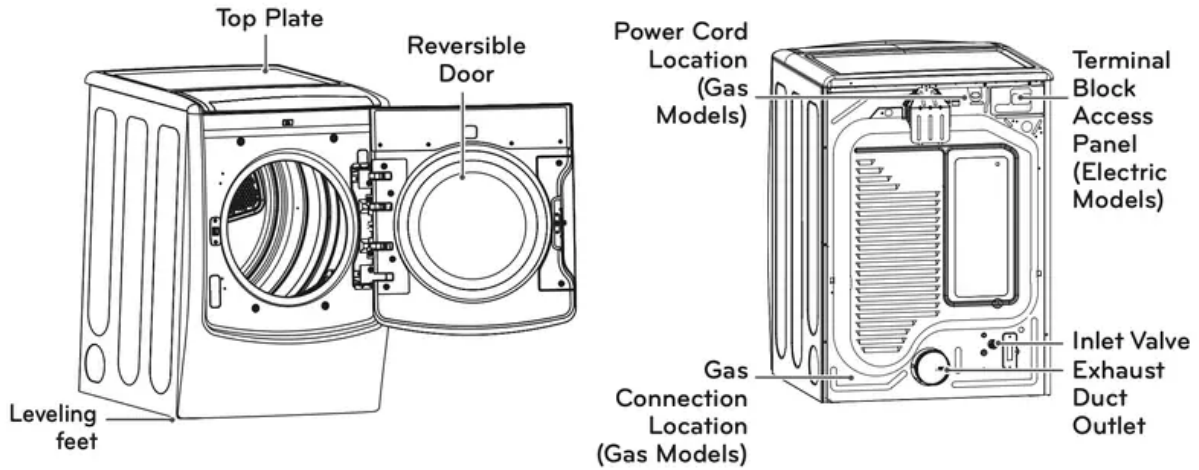


PRODUCT OVERVIEW

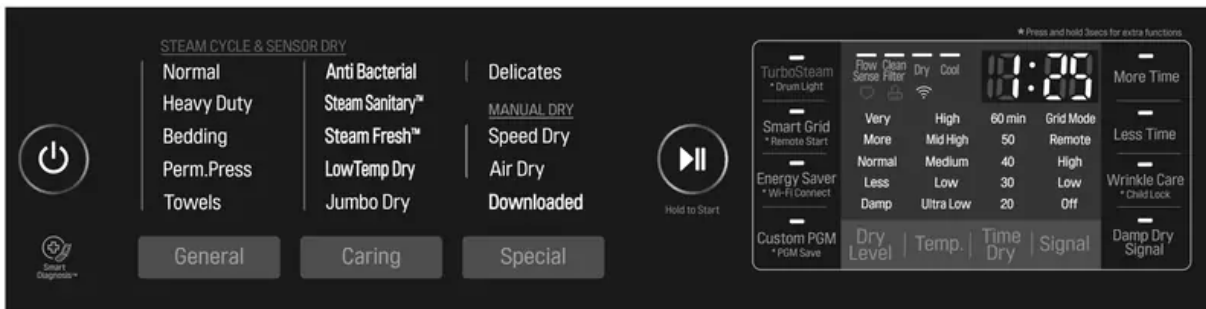
Parts



Control Panel Features







Following are instructions for starting and using your new dryer. Please refer to specific sections of this manual for more detailed information.

WARNING : To reduce the risk of fire, electric shock, or injury to persons, read this entire manual, including the Important Safety Instructions, before operating this dryer.



Operation

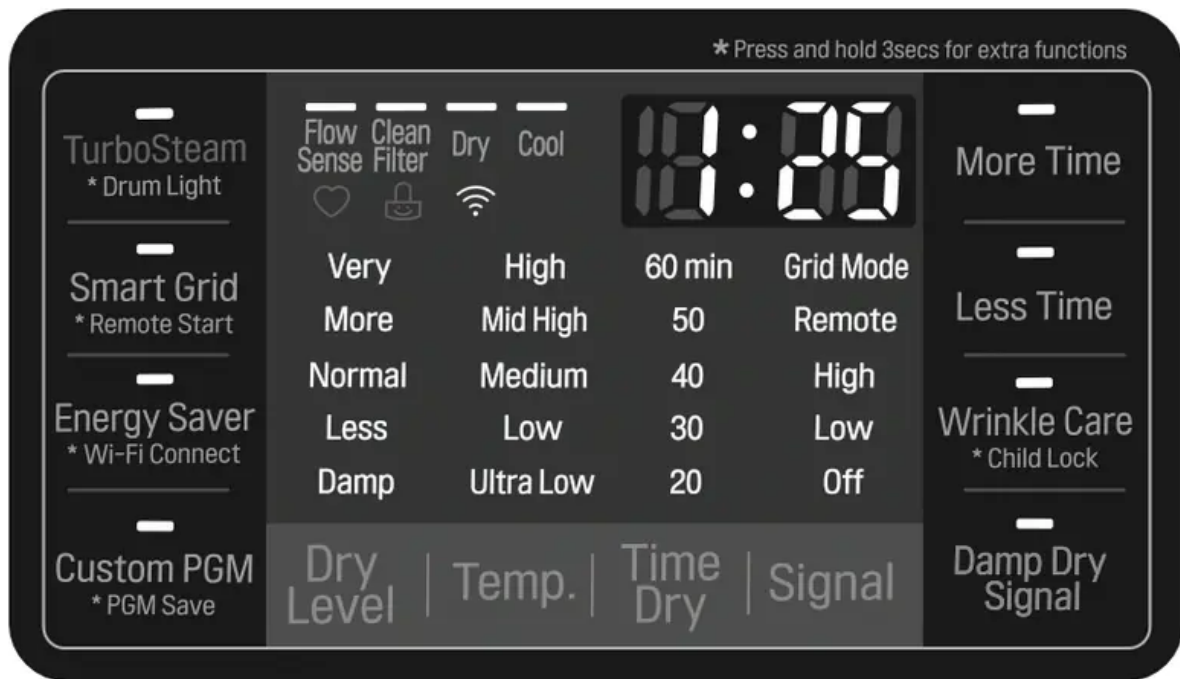


Button	Description
	<p>POWER ON/OFF BUTTON</p> <ul style="list-style-type: none"> - Press to turn the dryer ON. To turn the dryer off, press and hold more than 0.4 seconds. NOTE : Pressing the ON/OFF button during a cycle will cancel that cycle and any load settings will be lost.
	<p>CYCLE SELECTOR BUTTONS</p> <ul style="list-style-type: none"> - Cycles are arranged according to the type of drying. - Press the buttons repeatedly to scroll through the cycles. - The cycle name lights when selected.
	<p>START/PAUSE BUTTON</p> <ul style="list-style-type: none"> - Press and hold this button more than 0.5 seconds to start the selected cycle. If the dryer is running, use this button to pause the cycle without losing the current settings. NOTE : If you do not press the Start/Pause button to resume a cycle within four minutes, the dryer turns off automatically.
	<p>MORE TIME/LESS TIME BUTTONS</p> <ul style="list-style-type: none"> - To adjust the drying time, use these buttons with MANUAL DRY, TIME DRY, and STEAM FRESH™ cycles, as well as the REDUCE STATIC and EASY IRON options. Press the MORE TIME button to increase the selected manual cycle time by a minute; press LESS TIME to decrease the cycle time by a minute.
	<p>CYCLE MODIFIER BUTTONS</p> <ul style="list-style-type: none"> - Use these buttons to modify the default cycle settings for the selected cycle. The current settings are shown in the display. Press the button for that option to view and select other settings.
	<p>OPTION BUTTONS</p> <ul style="list-style-type: none"> - The OPTION buttons allow you to select additional cycle options. Certain buttons marked with an asterisk also allow you to activate special functions by pressing and holding the button for 3 seconds.
<p>Steam Sanitary™ Steam Fresh™</p>	<p>STEAM FUNCTIONS</p> <ul style="list-style-type: none"> - LG's steam technology injects fabrics with a swirling jet of hot steam to refresh clothes, reduce static, and make ironing easier. Simply select the Steam Fresh™ cycle, or you can add a steam option to selected cycles.

Display

The display shows the settings, estimated time remaining, options, and status messages for your dryer. When the dryer is turned on, the light in the display will illuminate.

WARNING : To reduce the risk of fire, electric shock, or injury to persons, read this entire manual, including the Important Safety Instructions, before operating this dryer.



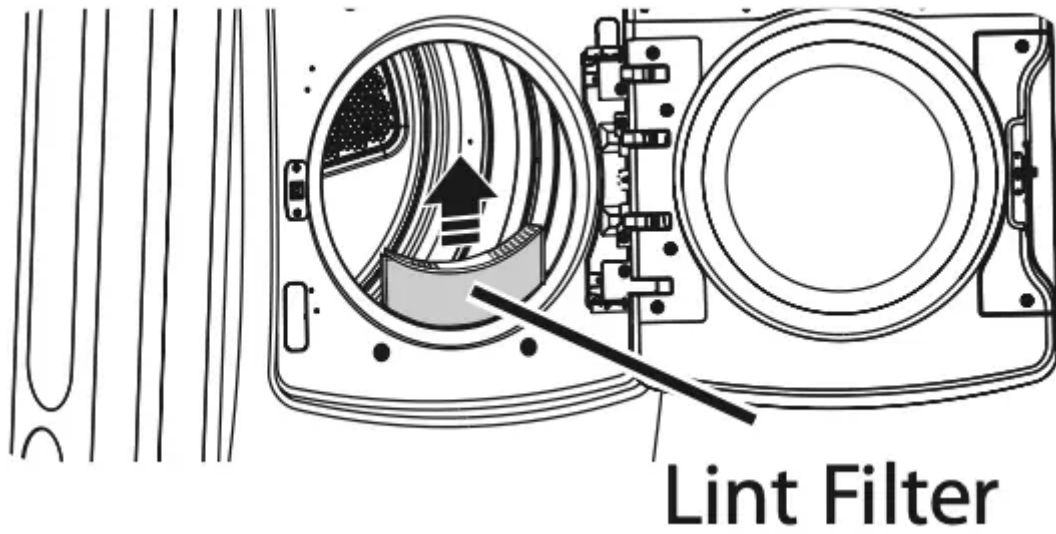
Display and Icons	Description
	ESTIMATED TIME REMAINING - When the Start button is pressed and held, the dryer will display the estimated (SENSOR DRY) or set time (TIME DRY) remaining, and begin tumbling. NOTE : The cycle time on SENSOR DRY cycles may fluctuate as the dryer recalculates drying time for optimal results
	CYCLE COMPLETION INDICATOR WITH CHECK FILTER REMINDER - This portion of the display shows which stage of the drying cycle is currently underway (CLEAN FILTER, DRY, or COOL).
	CHILD LOCK INDICATOR - When CHILD LOCK is set, the CHILD LOCK indicator will appear and all buttons are disabled except the POWER button. This prevents children from changing settings while the dryer is operating
	CLEAN FILTER REMINDER - The display will show CLEAN FILTER when the dryer is turned on as a reminder to clean the lint filter. It turns off when the Hold to Start button is pressed.
	CUSTOM PROGRAM - If you have a special combination of settings that you use frequently, you can save these settings as a CUSTOM PROGRAM.
	FLOW SENSE™ DUCT BLOCKAGE SENSING SYSTEM INDICATOR - The FLOW SENSE™ duct blockage sensing system detects and alerts you to blockages in the ductwork that reduce exhaust flow from the dryer. This improves operating efficiency and helps minimize service calls, saving you money.
	WI-FI CONNECTION INDICATOR - When the appliance is connected to the internet through a home Wi-Fi network, this indicator appears.

OPERATION

Operating the Dryer

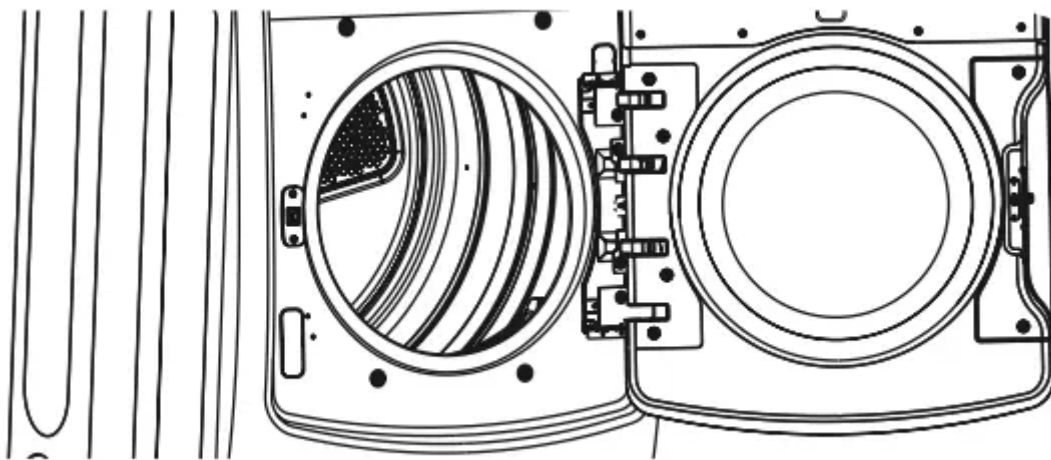
CLEAN THE LINT FILTER

If the lint filter has not already been cleaned, lift out the filter and remove the lint from the last load. This will help ensure the fastest and most efficient drying performance.



LOAD THE DRYER

Load the dryer with the wet laundry from the washer. If the load is extra large, you may need to divide it into smaller loads for proper performance and fabric care.



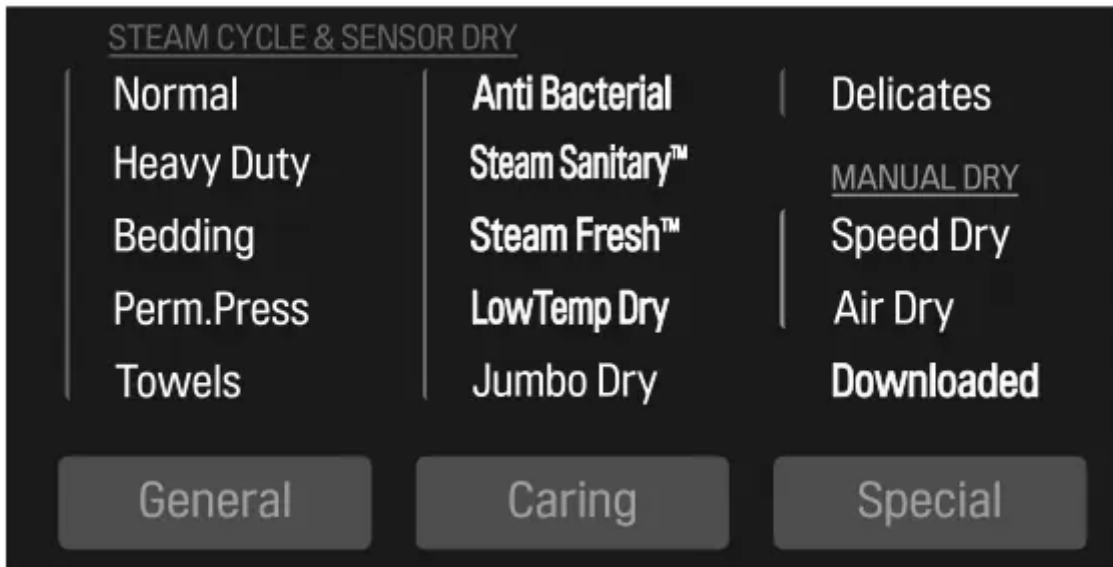
TURN ON THE DRYER

Press the POWER button to turn on the dryer. The cycle LEDs illuminate and a signal sounds, if turned on. Refer to page 12.



SELECT A CYCLE

Press the cycle selector buttons repeatedly until the desired cycle is selected. The preset temperature, dry level, and option settings for that cycle will be shown. Refer to page 35. Default settings for the selected cycle can now be changed if desired. This can be done using the cycle modifier buttons as shown on page 38. Cycle options can be added using the option buttons as shown on page 38-40.



NOTE: Not all options or modifiers are available on all cycles. A different chime will sound and the LED will not come on if the selection is not allowed.

BEGIN CYCLE

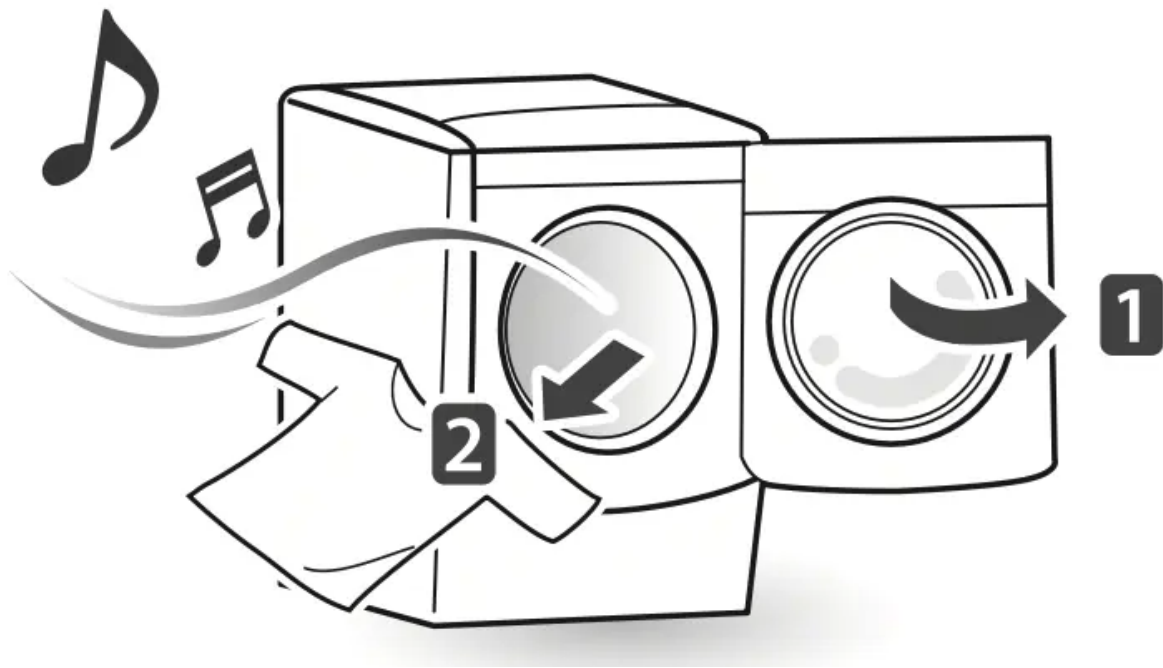
Press and hold the Start button to begin the cycle. The cycle can be paused at any time either by opening the door or by pressing the Start button. If the cycle is not restarted within 4 minutes, the dryer will shut off and the cycle settings will be lost.





END OF CYCLE

When the cycle is finished, the chime will sound if it is set. Remove your clothing from the dryer immediately to reduce wrinkling. If WRINKLE CARE is selected, the dryer will tumble briefly every few minutes to help prevent wrinkles from setting in the clothes.



Cycle Guide

= default setting
 ○ = allowable option

Cycle	Fabric Type	Dry Level	Temperature	Time	More Time/ Less Time	Wrinkle Care	Turbo Steam	Damp Dry Signal	Energy Saver
Steam Fresh™	comforters, shirts, trousers (except especially delicate fabrics)	Off	Mid High	10	○	○	○		
			Adjustable	Adjustable					
Steam Sanitary™	comforters, bedding, children's clothing	Off	High	31		○	○		
Anti Bacterial	Do not use this cycle with delicate fabrics.	Very	High	1:10		○			
LowTemp Dry	Only normal / towels fabric type (Max 3lb)	Normal	High	50		○			
		Adjustable							
Bedding	comforters, pillows, shirts	Normal	Medium	55					
		Adjustable							
Heavy Duty	jeans, heavyweight items	Normal	High	54		○	○	○	
		Adjustable							
Normal	work clothes, corduroys, etc.	Normal	Medium	41		○	○	○	○
		Adjustable							
Jumbo Dry	comforters, pillows, shirt	Normal	Medium	1:25		○			
		Adjustable							
Perm. Press	permanent press, synthetic items	Normal	Low	32		○	○	○	
		Adjustable							
Delicates	lingerie, sheets, blouses	Normal	Low	28		○		○	
		Adjustable							
Towels	denim, towels, heavy cottons	Normal	Mid High	55		○		○	
		Adjustable							
Speed Dry	For small loads with short drying times	Off	High	25	○	○			
			Adjustable	Adjustable					
Air Dry	For items that require heat-free drying such as plastics or rubber	Off	Off	30	○	○			
				Adjustable					

Sensor Dry Cycles

Sensor Dry cycles utilize LG's unique dual sensor system to detect and compare the moisture level in clothes and in the air and adjust the drying time as needed to ensure superior results. The dryer automatically sets the dryness level and temperature at the recommended setting for each cycle. The estimated time remaining will be shown in the display.

Low Temp Dry

This cycle can save energy over the Normal cycle, depending on the load size. It may be necessary to adjust the Dryness Level to achieve the desired amount of drying.

NOTE: To protect your garments not every dryness level, temperature, or option is available with every cycle. See the Cycle Guide for details.

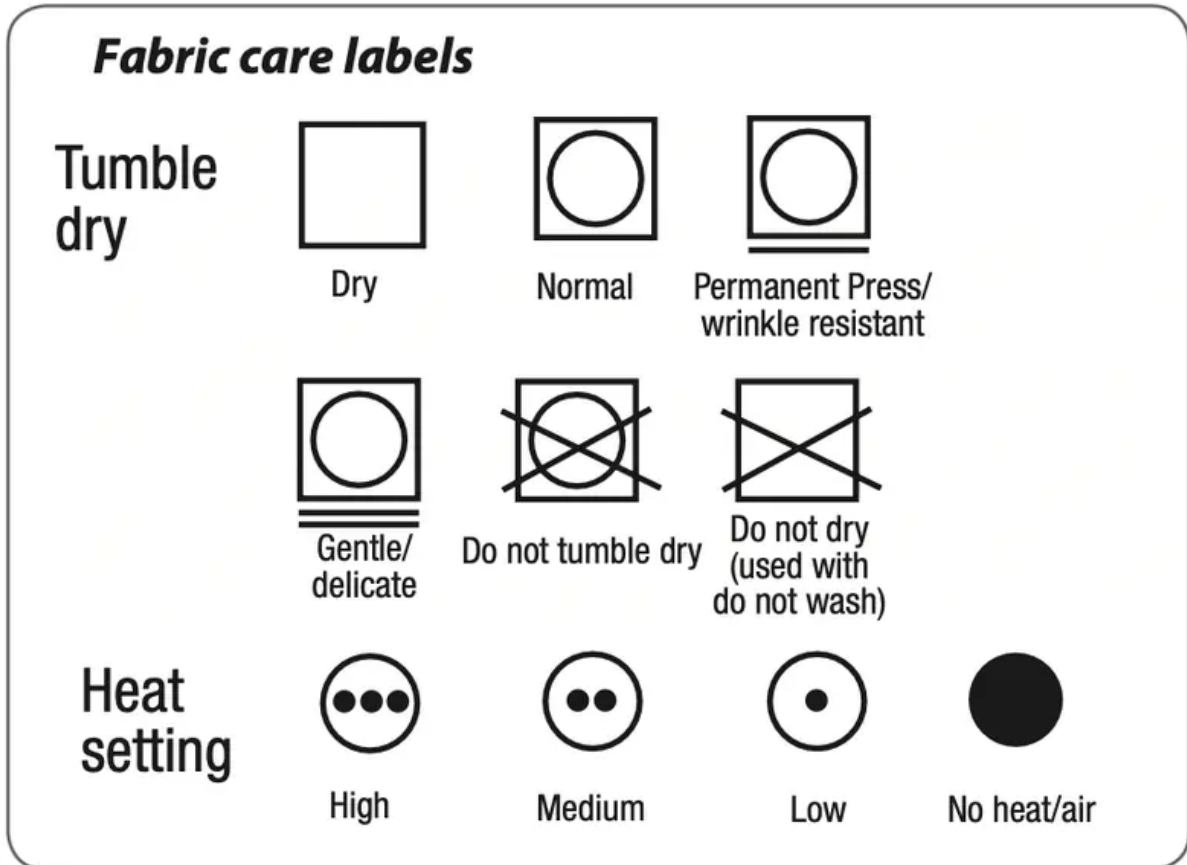
Manual Dry Cycles

Use Manual Dry cycles to select a specific amount of drying time and a drying temperature. When a Manual Dry cycle is selected, the ESTIMATED TIME REMAINING display shows the actual time remaining in your cycle. You can change the actual time in the cycle by pressing MORE TIME or LESS TIME.

Sorting Loads

Fabric Care Labels

Most articles of clothing feature fabric care labels that include instructions for proper care.



Grouping Similar Items

For best results, sort clothes into loads that can be dried with the same drying cycle.

Different fabrics have different care requirements, and some fabrics will dry more quickly than others.

Loading the Dryer

WARNING: To reduce the risk of fire, electric shock, or injury to persons when using this appliance, follow basic precautions, including the following:

- Check all pockets to make sure that they are empty. Items such as clips, pens, coins, and keys can damage both your dryer and your clothes. Flammable objects such as

lighters or matches could ignite, causing a fire. Failure to do so can result in fire, explosion, or death.

- Never dry clothes that have been exposed to oil, gasoline, or other flammable substances. Washing clothes will not completely remove oil residues. Failure to obey this warning can result in fire, explosion, or death.

NOTE: Loading Tips

- Combine large and small items in a load.
- Damp clothes will expand as they dry. Do not overload the dryer; clothes require room to tumble dry properly.
- Close zippers, hooks, and drawstrings to prevent these items from snagging or tangling on other clothes.

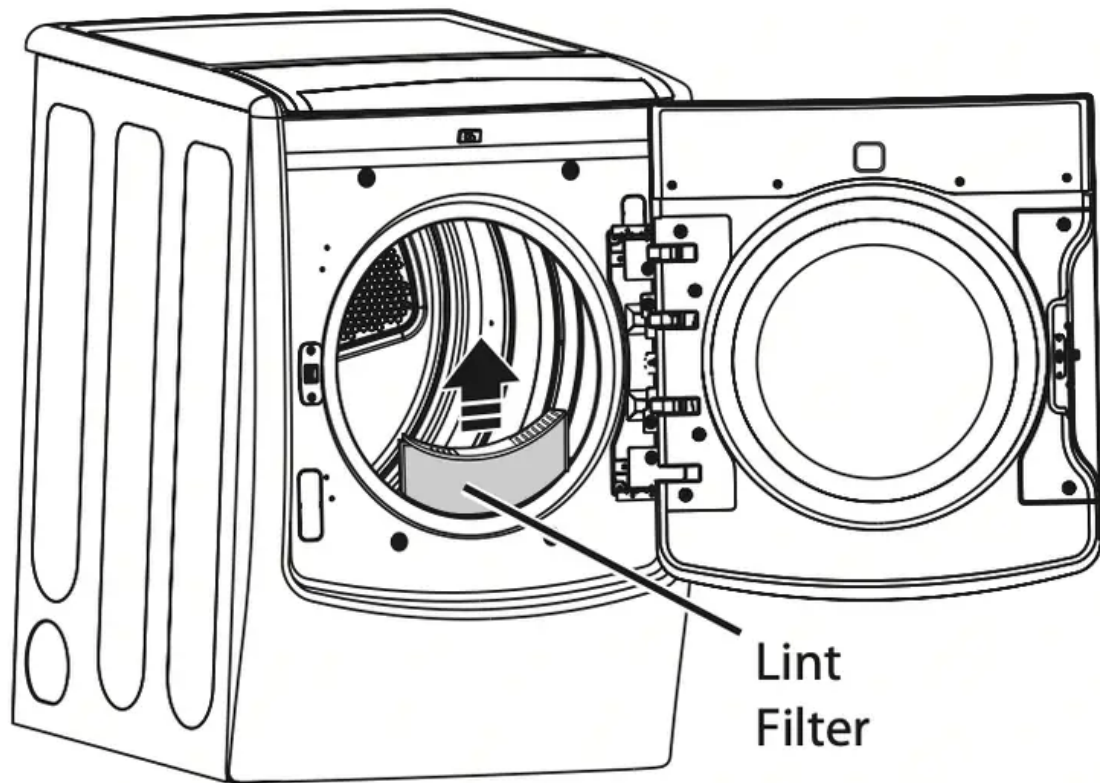
Check the Lint Filter before Every Load

Always make sure the lint filter is clean before starting a new load; a clogged lint filter will increase drying times.

To clean, pull the lint filter straight up and roll any lint off the filter with your fingers. Do not rinse or wash the filter to remove lint. Push the lint filter firmly back into place. See Regular Cleaning for more information.

Always ensure the lint filter is properly installed before running the dryer. Running the dryer with a loose or missing lint filter will damage the dryer and articles in the dryer.

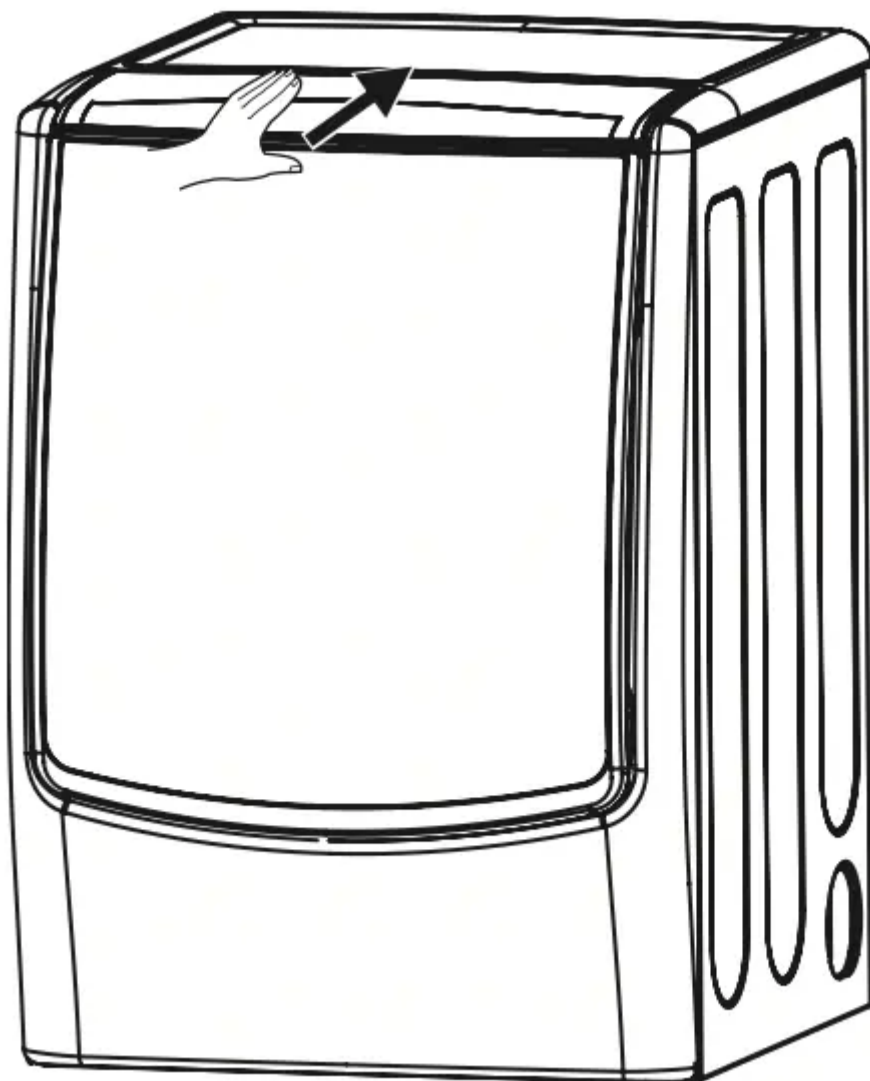




Storage Under the Lid

- Under the lid are three small storage spaces.
- To open the lid, slide it back.

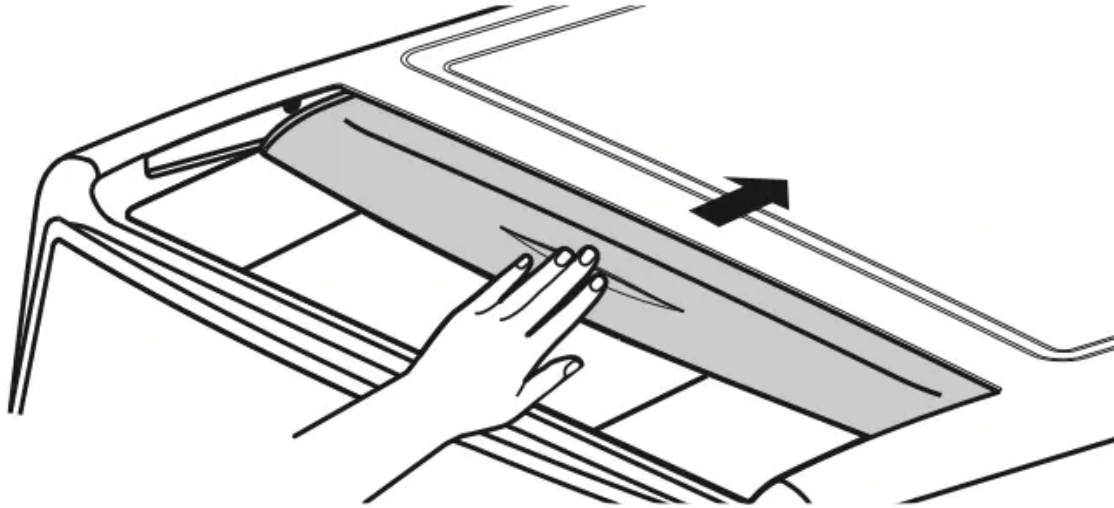
WARNING: Do not store flammable substances or adhesives under the lid.



Using the Lid

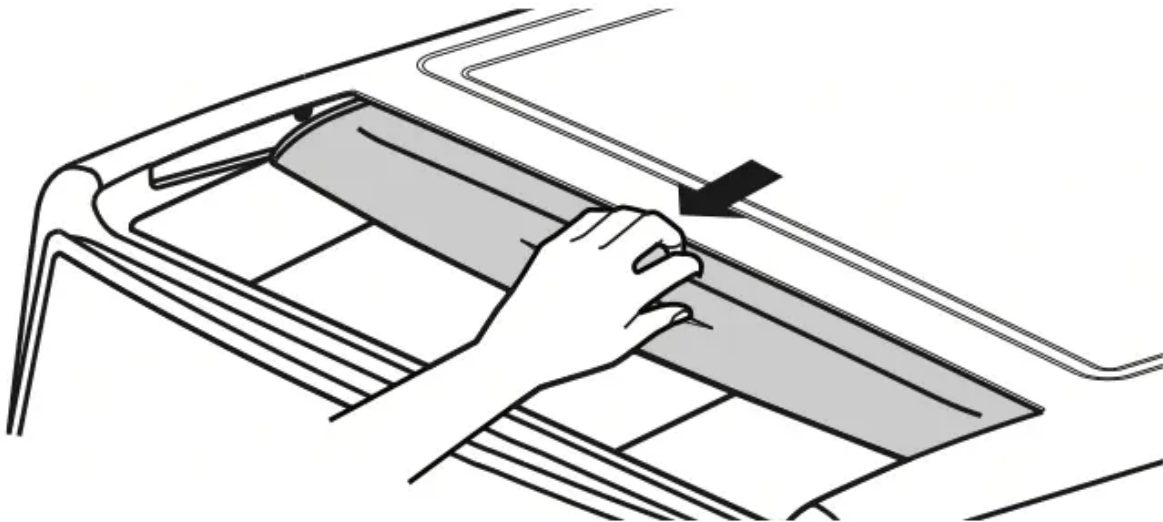
Opening the lid

- Push the front handle to slide the lid open.

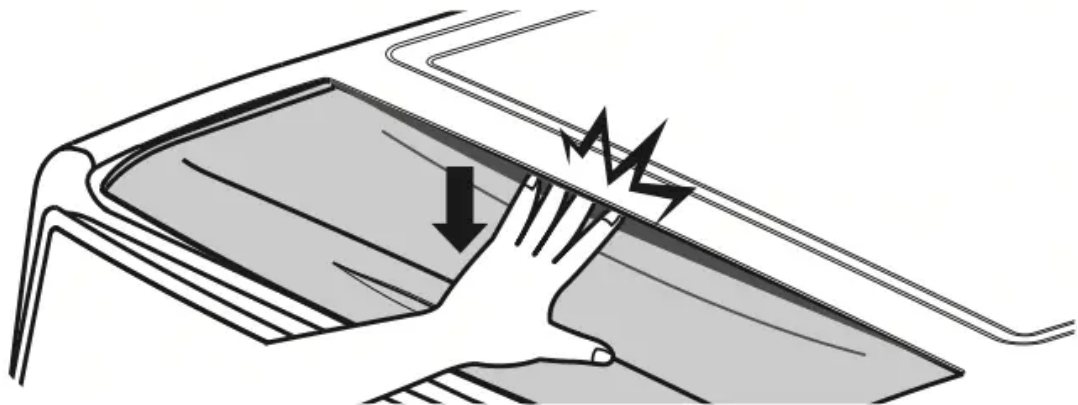
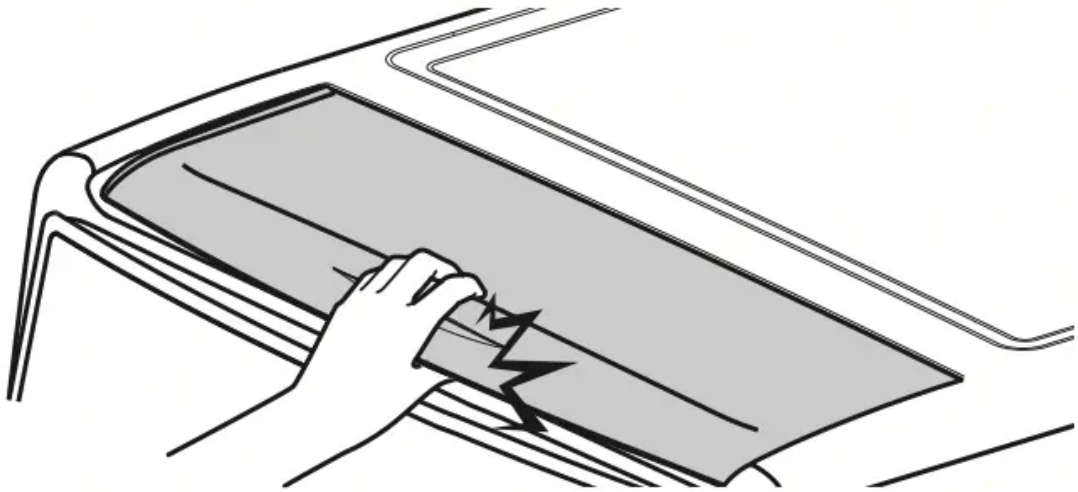
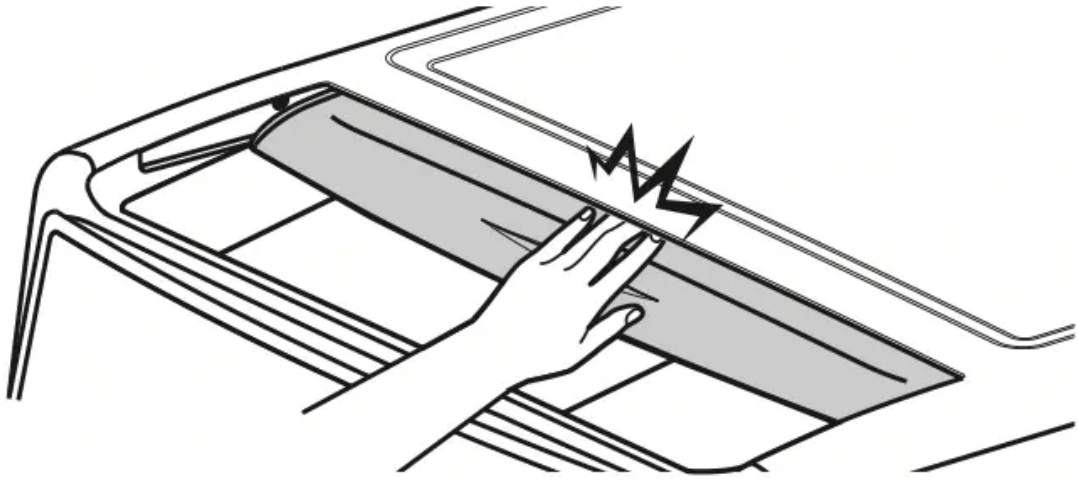


Closing the lid

- Pull the top of the handle to slide the lid closed.



WARNING: To avoid injury, do not place fingers under the lid or between the lid and the cabinet when pressing or sliding the top lid open or closed.



Cycle Modifier Buttons

SENSOR DRY cycles have preset settings that are selected automatically. MANUAL DRY cycles have default settings, but you may also customize the settings using the cycle modifier buttons.



Press the button for that option to view and select other settings.

NOTE: To protect your garments, not every dryness level, temperature, or option is available with every cycle. See the Cycle Guide for details.

DRY LEVEL

Selects the level of dryness for the cycle. Press the DRY LEVEL button repeatedly to scroll through available settings.

- This option is only available with SENSOR DRY cycles.
- The dryer will automatically adjust the cycle time. Selecting MORE or VERY increases the cycle time, while LESS or DAMP decreases the cycle time.
- Use a LESS or DAMP setting for items that you wish to iron.

TEMP.

Adjusts the temperature setting from ULTRA LOW to HIGH. This allows precise care of your fabrics and garments. Press the TEMP. button repeatedly to scroll through available settings.

TIME DRY

Allows you to manually select the drying time, from 20 to 60 minutes, in 10-minute increments. Use this for small loads or to remove wrinkles. Use the MORE TIME/ LESS TIME buttons to add or reduce the drying time in 1-minute increments.

Your dryer features several additional cycle options to customize cycles to meet your individual needs. Certain option buttons also feature a special function (see the following page for details) that can be activated by pressing and holding that option button for 3 seconds.

To add cycle options to a cycle:

1. Turn on the dryer and press the cycle selector buttons repeatedly to select the desired cycle.
2. Use the cycle modifier buttons to adjust the settings for that cycle.
3. Press the cycle option button(s) for the option you would like to add. A confirmation message is shown in the display.
4. Press and hold the Start button to start the cycle. The dryer starts automatically.

SIGNAL

Adjusts the volume or turns off the button sounds and end of cycle melody. Press the button repeatedly until the desired volume setting is illuminated.

Special Functions

The option buttons also activate special functions, including CHILD LOCK.

Select the option by pressing the option button. Press and hold the option button to select special features marked with the asterisk (*), such as Child Lock.

***CHILD LOCK**

Use this option to prevent unwanted use of the dryer or to keep cycle settings from being changed while the dryer is operating.

Press and hold the button for 3 seconds to activate or deactivate the CHILD LOCK function.

The CHILD LOCK icon is shown in the display, and all controls are disabled except the POWER button.

NOTE: Once set, CHILD LOCK remains active until it is manually deactivated. CHILD LOCK must be turned off to run another cycle.

To deactivate CHILD LOCK, press and hold the button for three seconds.

DAMP DRY SIGNAL

With this option, the dryer signals when the load is approximately 80% dry. This allows you to remove faster-drying lightweight items or items that you would like to iron or hang while still slightly damp. Press the DAMP DRY SIGNAL button.

WRINKLE CARE

Selecting this option will tumble the load periodically for up to 3 hours after the selected cycle, or until the door is opened. This is helpful in preventing wrinkles when you are unable to remove items from the dryer immediately.

ENERGY SAVER

This option helps to reduce the energy consumption in the Normal cycle, depending on the load size.

When the Energy Saver option is selected, the cycle begins with an air dry section and the drying time is increased.

SMART GRID

Lower your energy costs when you dry your clothes by avoiding peak usage times. See the Smart Connectivity section for more information.

***REMOTE START**

Use a smart phone to control the dryer remotely. See the Smart Connectivity section for more information.

Custom Program

If you have a special combination of settings that you use frequently, you can save these settings as a CUSTOM PROGRAM.

To save a custom program:

1. Turn on the dryer and press the cycle selector buttons repeatedly to select the desired cycle.
2. Use the cycle modifier buttons to adjust the settings for that cycle.
3. Press the cycle option button(s) for the option you would like to add. A confirmation message will be shown in the display.
4. Press and hold the PGM Save button for 3 seconds.

NOTE: You may save only one custom program at a time. Pressing and holding the PGM Save button will overwrite any previously saved custom program.

Recalling a custom program

1. Turn on the dryer.
2. Press the CUSTOM PGM button.
3. Press and hold the Start button to start the cycle.

Steam Functions

LG's new steam technology allows you to inject fabrics with a swirling jet of hot steam to refresh clothes. Simply select the STEAM FRESH™ cycle, or you can add a steam option to selected cycles.

The STEAM FRESH™ Cycle

STEAM FRESH™ uses the power of steam to quickly reduce wrinkles and odor in fabrics. It brings new life to wrinkled clothes that have been stored for an extended time and makes heavily wrinkled clothes easier to iron. STEAM FRESH™ can also be used to help reduce odors in fabrics.

NOTE

- The TurboSteam option is activated by default when the Steam Fresh™ or Steam Sanitary™ cycles are selected.
- Depending on the load (quantity of items), you may change the amount of time for the cycle by pressing the MORE TIME or LESS TIME button. The display will show 1, 3, 5, or . 3 means 3 or fewer items, 5 is for 4 or 5 items, and indicates a large load such as a comforter.

Using STEAM FRESH™ Cycle

1. Turn on the dryer and press the cycle selector buttons repeatedly to select the STEAM FRESH™ cycle.
2. To add an option function, select TurboSteam, or WRINKLE CARE.
3. Depending on the load (quantity of items), steam time can be changed by pressing the MORE TIME or LESS TIME buttons.

4. Press and hold Start to start the cycle.

Adding steam to a standard cycle

1. Turn on the dryer and press the cycle selector buttons repeatedly to select the Normal, Perm. Press, or Heavy Duty cycle.
2. Use the cycle modifier buttons to adjust the settings for that cycle.
3. Press the TurboSteam button.
4. Press and hold Start to start the cycle.

The STEAM SANITARY™ Cycle

The STEAM SANITARY™ cycle is ideal for sanitizing nonwashable items quickly and easily using only steam. This cycle is recommended for use with cotton and polyester materials only. (Do NOT use for urethane foam, down feathers or delicate items).

WARNING:

- Do not open the dryer door during steam cycles. Failure to follow this warning can cause serious injury or death.
- Do not touch the steam nozzle in the drum during or after the steam cycle. Failure to follow this warning can cause serious injury or death.

NOTE

- Steam may not be clearly visible during the steam cycles. This is normal.
- Do not use Steam Fresh™ with items such as wool clothing or blankets, leather jackets, silk, wet clothes, lingerie, foam products, or electric blankets.
- For best results, load articles of similar size and fabric type. Do not overload.
- When the filter/duct is clogged, the steam option may not have optimal results.
- When the steam function is operating, the drum will stop to allow steam to stay in the drum.

Steam Cycle Guide

	Steam	Default Time	Temp.	Dry Level	Fabric State	Fabric Type	Maximum Amount
Steam Sanitary™		31 minutes			Dry	Comforter Bedding	Single (1 each)
			Children's clothing	3 lbs.			
Steam Fresh™		10 minutes	○		Dry	Comforter	Single (1 each)
						Shirts*	5 each
Steam Option	+ Turbo Steam	Follows Selected Cycle		○	Wet	Varies by selected cycle	8 lbs. (18 Items)

- When the lint filter or exhaust duct is clogged, steam options will not give proper results.
- For best results, load articles of similar size and fabric type. Do not overload.

MAINTENANCE

Regular Cleaning

WARNING: To reduce the risk of fire, electric shock, or personal injury when using this appliance, follow basic precautions, including the following:

- Unplug the dryer before cleaning to avoid the risk of electric shock. Failure to follow this warning can cause serious injury, fire, electrical shock, or death.
- Never use harsh chemicals, abrasive cleaners, or solvents to clean the washer. They will damage the finish.

Cleaning the Exterior

Proper care of the dryer can extend its life.

The outside of the machine can be cleaned with warm water and a mild, nonabrasive household detergent. Immediately wipe off any spills with a soft, damp cloth.

MAINTENANCE

Regular Cleaning

wW ArNiNg

To reduce the risk of fire, electric shock, or personal injury when using this appliance, follow basic precautions, including the following:

- Unplug the dryer before cleaning to avoid the risk of electric shock. Failure to follow this warning can cause serious injury, fire, electrical shock, or death.
- Never use harsh chemicals, abrasive cleaners, or solvents to clean the washer. They will damage the finish.

cleaning the exterior Proper care of the dryer can extend its life.

The outside of the machine can be cleaned with warm water and a mild, nonabrasive household detergent. Immediately wipe off any spills with a soft, damp cloth.

NOTE

- Do not use methylated spirits, solvents, or similar products.
- Never use steel wool or abrasive cleansers; they can damage the surface.

Cleaning the Interior

Wipe around the door opening and seal with a soft, damp cloth to prevent lint and dust buildup that could damage the door seal.

Clean the window with a soft cloth dampened with warm water and a mild, nonabrasive household detergent; then wipe dry.

The stainless steel drum can be cleaned with a conventional stainless steel cleaner, used according to the manufacturer's specifications.

Never use steel wool or abrasive cleansers; they can scratch or damage the surface.

Cleaning around and under the dryer

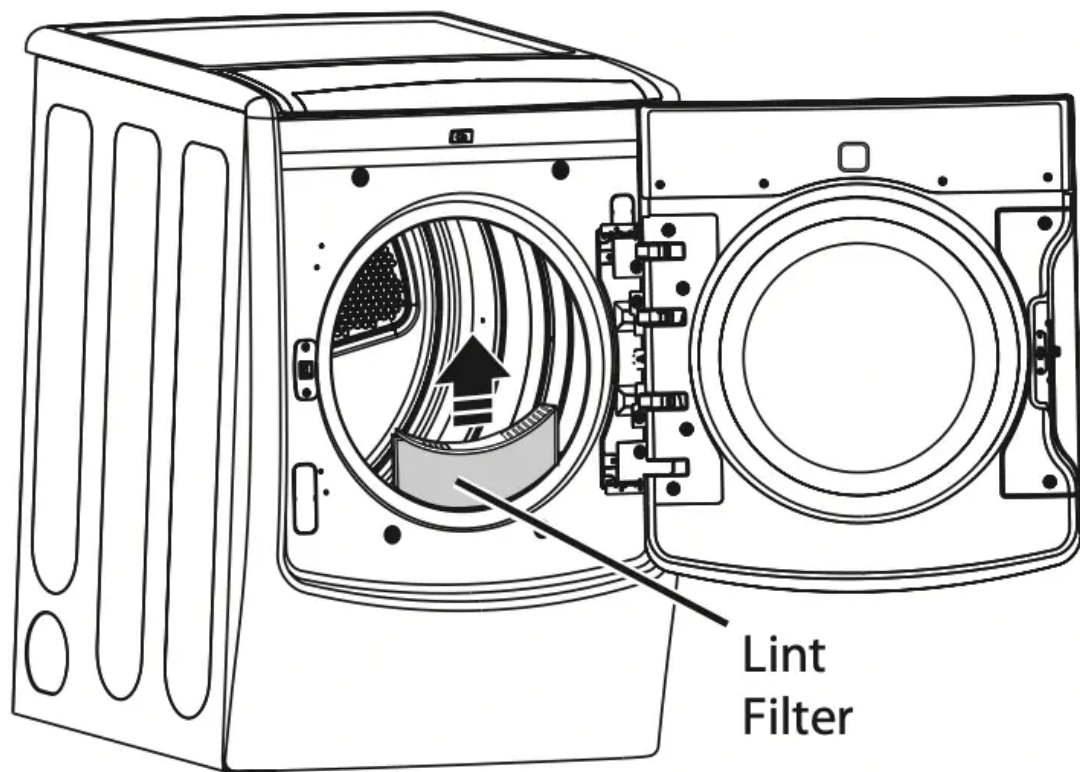
Vacuum lint and dust from around the dryer and underneath it regularly. Vent ductwork should be checked for lint buildup and cleaned at least once per year. If any noticeable reduction in airflow or drying performance occurs, immediately check ductwork for obstructions and blockages.

Maintaining Ductwork

Vent ductwork should be checked for lint buildup and cleaned at least once per year. If any noticeable reduction in airflow or drying performance occurs, immediately check ductwork for obstructions and blockages. Contact a qualified technician or service provider.

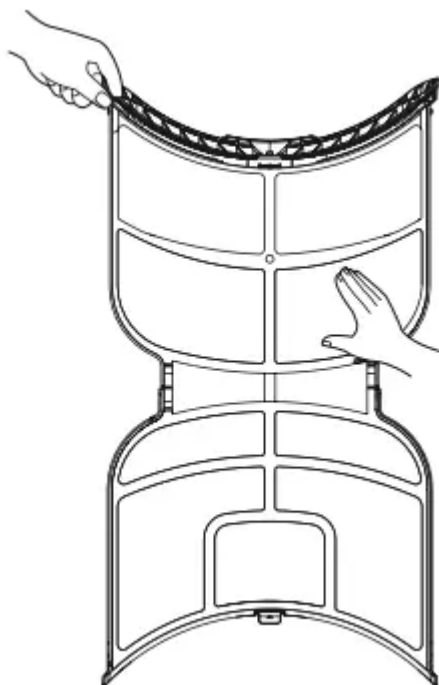
Cleaning the Lint Filter

Always clean the lint filter after every cycle.

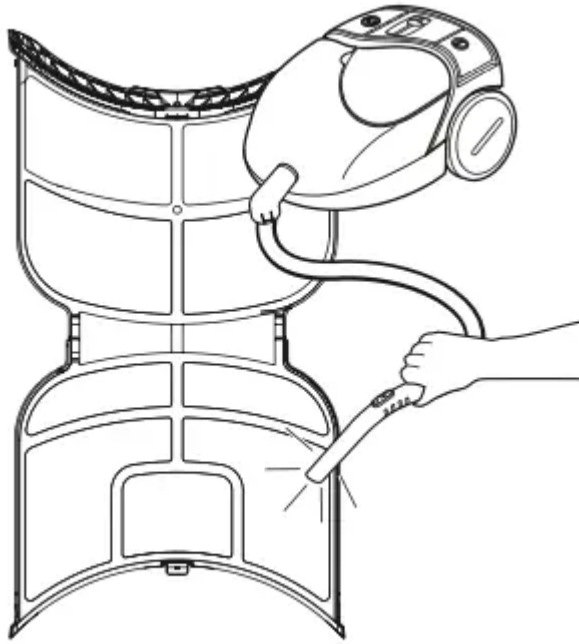


To clean, open the dryer door and pull the lint filter straight up. Then:

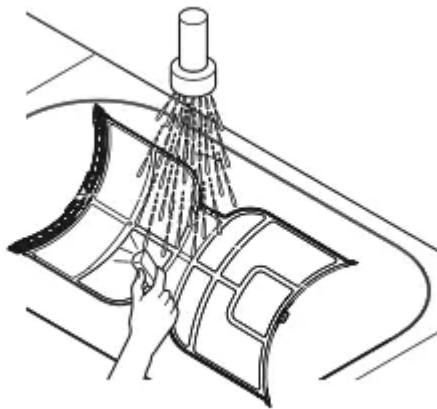
1. Roll any lint off the filter with fingers, or



2. Vacuum the lint filter, or



3. If the lint filter has become very dirty or clogged with fabric softener, wash the lint filter in warm, soapy water and allow to dry thoroughly before reinstalling.



NOTE: NEVER operate the dryer without the lint filter in place. NEVER operate the dryer with a wet lint filter.

TROUBLESHOOTING

Before Calling for Service

Your dryer is equipped with an automatic error-monitoring system to detect and diagnose problems at an early stage. If your dryer does not function properly or does not function at all, check the following before you call for service.

Problem	Possible Causes	Solutions
Dryer will not turn on	<ul style="list-style-type: none"> • Power cord is not properly plugged in. • House fuse is blown, circuit breaker has tripped, or power outage has occurred. 	<ul style="list-style-type: none"> • Make sure that the plug is plugged securely into a grounded outlet matching the dryer's rating plate. • Reset circuit breaker or replace fuse. Do not increase fuse capacity. If the problem is a circuit overload, have it corrected by a qualified electrician.
Dryer does not heat	<ul style="list-style-type: none"> • House fuse is blown, circuit breaker has tripped, or power outage has occurred. • Gas supply or service turned off (gas models only). • Energy Saver option selected 	<ul style="list-style-type: none"> • Reset circuit breaker or replace fuse. Do not increase fuse capacity. If the problem is a circuit overload, have it corrected by a qualified electrician. • Confirm that the house gas shutoff and the dryer gas shutoff are both fully open. • If using the Cotton/Normal cycle, deselect the Energy Saver option. The Energy Saver option is selected by default. This option reduces energy use by adding an air dry section to the beginning of the cycle. It is normal to feel no heat at the beginning of the cycle while in Energy Saver mode.
Greasy or dirty spots on clothes	<ul style="list-style-type: none"> • Fabric softener used incorrectly. • Clean and dirty clothes being dried together. 	<ul style="list-style-type: none"> • Confirm and follow the instructions provided with your fabric softener. • Make sure to use your dryer to dry only clean items, because dirty items can soil clean clothes placed in the same or subsequent loads.




		<ul style="list-style-type: none"> • Stains on dried clothes are actually stains that were not removed during the washing process. <p>Make sure that clothes are being completely cleaned according to the instructions for your washer and detergent.</p>
Display shows error code tE1 or tE2	<ul style="list-style-type: none"> • Thermistor is malfunctioning. 	<ul style="list-style-type: none"> • Turn off the dryer and call for service.
Lint on clothes	<ul style="list-style-type: none"> • Lint filter not cleaned properly. • Laundry not sorted properly. • Excess static in clothes. • Dryer is overloaded. • Tissue, paper, etc., left in pockets. 	<ul style="list-style-type: none"> • Make sure the lint filter is cleaned before every load. With some loads that produce high amounts of lint, it may be necessary to clean the filter during the cycle. • Some fabrics are lint producers (i.e., a fuzzy white cotton towel) and should be dried separately from clothes that are lint trappers (i.e., a pair of black linen pants). • See the Excess static in clothes after drying section below. • Divide larger loads into smaller loads for drying. • Check pockets thoroughly before washing and drying clothes.
Excess static in clothes after drying	<ul style="list-style-type: none"> • Fabric softener not used or used incorrectly. • Clothes dried too long (overdried). • Drying synthetics, permanent press, or synthetic blends. 	<ul style="list-style-type: none"> • Use a fabric softener to reduce static electricity correctly. Do not use fabric softeners or products to eliminate static unless recommended by the manufacturer of the fabric softener or product. • Overdrying a load of laundry can cause a buildup of static

		<p>electricity. Adjust settings and use a shorter drying time, or use SENSORDRY cycles.</p> <ul style="list-style-type: none"> • These materials can cause static buildup. Try using a fabric softener.
Display shows error code PS	<ul style="list-style-type: none"> • Power cord connection is incorrect. 	<ul style="list-style-type: none"> • Check the connection of power cord to the terminal block. Refer to pages 27-30 in this manual.
Drying time is not consistent	<ul style="list-style-type: none"> • Heat settings, load size, or dampness of clothing is not consistent. 	<ul style="list-style-type: none"> • The drying time for a load will vary depending on the heat setting, the type of heat used (electric, natural gas, or LP gas), the size of the load, the type of fabrics, the wetness of the clothes, and the condition of the exhaust ducts and lint filter.
Clothes take too long to dry	<ul style="list-style-type: none"> • Load is not properly sorted. • Large load of heavy fabrics. • Dryer controls are not set properly. • Lint filter needs to be cleaned. • Exhaust ducts blocked, dirty, or duct run is too long. • House fuse is blown, circuit breaker has tripped, or power outage has occurred. • Dryer is overloaded. • Dryer is underloaded. 	<ul style="list-style-type: none"> • Separate heavy items from lightweight items. Larger and heavier items take longer to dry. • Heavy fabrics take longer to dry because they tend to retain more moisture. To help reduce and maintain more consistent drying times for large and heavy fabrics, separate these items into smaller loads of a consistent size. • Use the appropriate control settings for the type of load you are drying. • Make sure the lint filter is cleaned before every load. With some loads that produce high amounts of lint, it may be necessary to clean the filter during the cycle.

	<ul style="list-style-type: none"> • Energy Saver option selected 	<ul style="list-style-type: none"> • Confirm that the exhaust ductwork is properly configured and free of debris, lint, and obstructions. Make sure that outside wall dampers can open properly and are not blocked, jammed, or damaged. • Reset circuit breaker or replace fuse. Do not increase fuse capacity. If the problem is a circuit overload, have it corrected by a qualified electrician. • Divide larger loads into smaller loads for drying. • If you are drying a very small load, add a few extra items to ensure proper tumbling action. • If using the Cotton/Normal cycle, deselect the Energy Saver option. This option reduces energy use by adding an air dry section to the beginning of the cycle.
Clothes are wrinkled	<ul style="list-style-type: none"> • Clothes dried too long (overdried). • Clothes left in dryer too long after cycle ends. 	<ul style="list-style-type: none"> • Overdrying a load of laundry can lead to wrinkled clothes. Try a shorter drying time, and remove items while they still retain a slight amount of moisture. • Remove items from the dryer immediately at the end of the cycle. Use the WRINKLE CARE option to continue tumbling clothes at the end of the cycle, for up to 3 hours.
Clothes are shrinking	<ul style="list-style-type: none"> • Garment care instructions are not being followed. 	<ul style="list-style-type: none"> • To avoid shrinkage, please carefully follow the fabric care instructions for your garment, because some fabrics will



		naturally shrink when washed. Other fabrics can be washed but will shrink when dried in a dryer. Use a low or no heat setting.
<p><i>Add</i></p> <p>indicator light is on during the drying cycle</p>	<ul style="list-style-type: none"> • Water supply error. 	<ul style="list-style-type: none"> • Check steam feeder drawer: <ol style="list-style-type: none"> 1. Make sure steam feeder is filled with water to MAX line. 2. Make sure steam feeder is seated properly and drawer is fully closed. 3. Turn the dryer off then restart the Steam cycle. • Do not use distilled water; the water level sensor in the steam generator will not work. • The pump is not working. Unplug the dryer and call for service.
<p>Water drips from nozzle when Steam Cycle starts</p>	<ul style="list-style-type: none"> • This is normal. 	<ul style="list-style-type: none"> • This is steam condensation. The dripping water will stop after a short time.
<p>The display shows “d80”, “d90”, “d95”</p> 	<ul style="list-style-type: none"> • The duct work is about 80%, 90%-95% blocked. (“d80”, “d90” or “d95” error code displayed 2 hours only) • House exhaust system blocked. 	<ul style="list-style-type: none"> • Do not use the dryer until the exhaust system has been cleaned and/or repaired. Using the dryer with a severely restricted exhaust is dangerous and could result in a fire or other property damage. • Check the outside dryer vent while the dryer is operating to make sure there is strong airflow. • If the exhaust system is extremely long, have it repaired or rerouted. • Keep the area around the dryer clean and free of clutter.

		<ul style="list-style-type: none"> • Check the vent hood for damage or lint clogging. • Make sure the area around the vent hood is clear.
Steam does not generate but no error code is shown	<ul style="list-style-type: none"> • Water level error. 	<ul style="list-style-type: none"> • Unplug dryer and call for service.
Garments still wrinkled after STEAM FRESH™	<ul style="list-style-type: none"> • Too many or too different types of garments in dryer. 	<ul style="list-style-type: none"> • Small loads of 1 to 5 items work best. • Load fewer garments. Load similar-type garments.
There are no creases left on garment after STEAM FRESH™	<ul style="list-style-type: none"> • The function of this cycle is to remove wrinkles from fabric. 	<ul style="list-style-type: none"> • Use an iron to make creases.
Water drips from door during Steam Cycle	<ul style="list-style-type: none"> • This is normal. 	<ul style="list-style-type: none"> • Condensation will normally form on the inside of the dryer door during steam operation. Some condensation may drip out the bottom of the door.
Steam is not visible during Steam Cycle	<ul style="list-style-type: none"> • This is normal. 	<ul style="list-style-type: none"> • Steam vapor is difficult to see when the door is closed. However, condensation will normally form on the inside of the dryer door if the steam system is operating normally.

<p>Drum does not turn during Steam Cycle</p>	<ul style="list-style-type: none"> • This is normal. 	<ul style="list-style-type: none"> • The drum is turned off so that the steam vapor remains in the drum. The drum will normally turn for about 2 seconds once a minute.
<p>Cannot see steam vapor at the beginning of cycle</p>	<ul style="list-style-type: none"> • This is normal. 	<ul style="list-style-type: none"> • Steam is released at different stages of the cycle for each option.
<p>The display shows 619</p>	<ul style="list-style-type: none"> • MORE TIME button pressed. 	<ul style="list-style-type: none"> • This display indicates that the steam option has been set for a “619” item such as a comforter. Press the LESS TIME button to reduce the indicated load size.
<p>Odors remain in clothing after STEAM FRESH™</p>	<ul style="list-style-type: none"> • STEAM FRESH™ did not remove odor completely. 	<ul style="list-style-type: none"> • Fabrics containing strong odors should be washed in a normal cycle.
<p>CHECK FILTER light is on during the drying cycle</p>	<ul style="list-style-type: none"> • Lint filter is almost clogged or full. 	<ul style="list-style-type: none"> • Pause the drying cycle and clean the lint filter.
<p>FLOW SENSE™ indicator shows four bars during the drying cycle or the display shows “d80” after drying.</p>	<ul style="list-style-type: none"> • Ductwork is too long or has too many turns/restrictions. • Significant blockage of the ductwork due to lint buildup or debris. • The appliance has detected a restriction in the external dryer venting. 	<ul style="list-style-type: none"> • Install a shorter or straighter duct run. See the Installation Instructions. • Ductwork should be checked/ cleaned soon. Dryer can be used in this condition, but drying times may be longer. • If exhaust restrictions are sensed by the Flow Sense™ system, the indicator will remain on for two hours after the end of the



		cycle. Opening the door or pressing the Power button will turn off the display.
--	--	---

Warning

This content is compiled from multiple sources and is provided for reference purposes only. It may not be complete or fully applicable to all situations. If you are unable to resolve your issue, please contact the product manufacturer or an authorized service provider for official support.

