

## Product Features

Full width shelf design, more convenience for storing and taking food.

### **Fuzzy Function**

The refrigerator can be automatically adjusted to the best refrigerating condition according to the chamber temperature and ambient temperature .

### **Super large and super luxurious design**

The refrigerator has super large capacity, super large refrigerating and freezing chamber, as well as super luxurious interior design.

Fluoride-free, frostless, complete air cooling refrigeration, deep cooling, and rapid freezing.

### **Defrost and pre-refrigeration**

The refrigerator will make judgment on the temperature in the refrigerator before defrosting, and the compressor will automatically and rapidly refrigerate after defrosting.

Equipped with condensing unit, heat dissipation by blower,better refrigeration effect, and long service life of compressor.

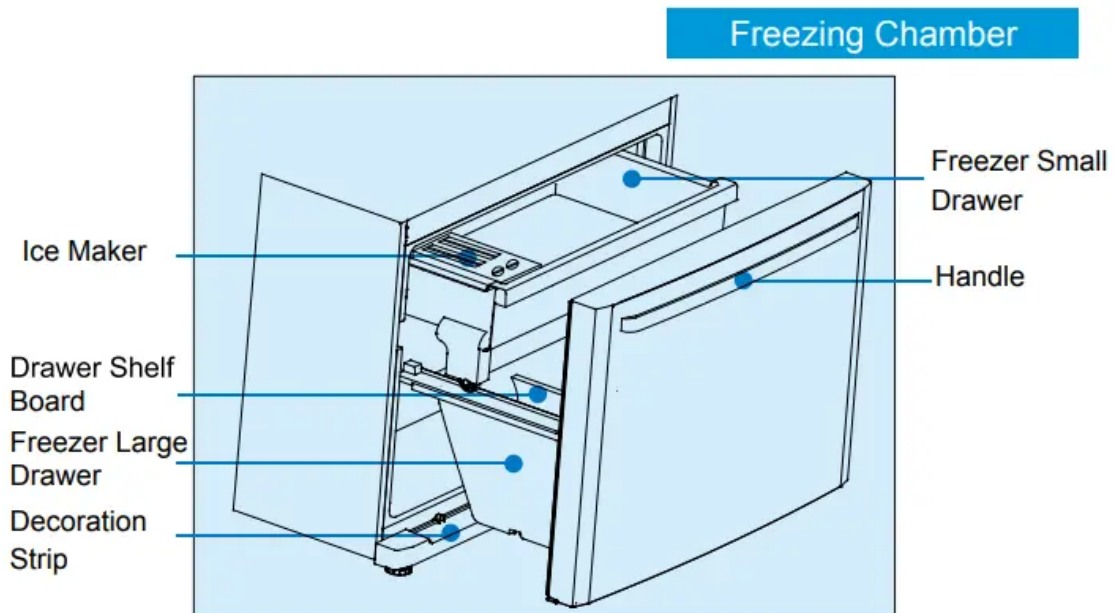
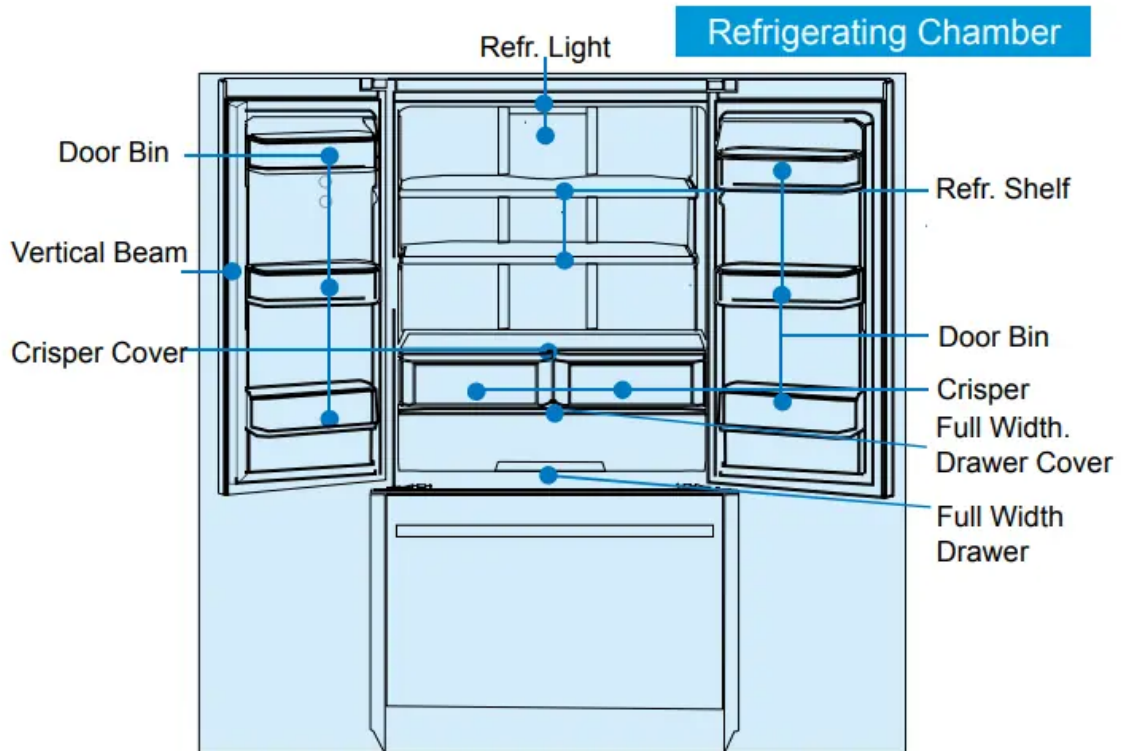
Open door alarm, touch-sensitive button, large-screen LED display.

Drawers have track way. They can be pushed and pulled smoothly.

### **Deodorant Brick**

It separates the refrigerating chamber and freezing chamber, avoiding tainting.

## Name of Components



## Getting Started

### 1. Power On

Immediately after the power on, the temperature is displayed as the actual temperature of the refrigerating and freezing chamber. At this time, the set temperature for

refrigerating is 5C, the set temperature for freezing is -18 C, the buttons are in unlocked status.

The refrigerator has Power Outage Memory function. At every power on after the first power on the refrigerator will run under the settings set at the last time. (See Power Outage Memory Function for details)

## 2. Operation Mode of the Refrigerator

**CAUTION:** Within the applicable temperature range of the refrigerator, as long as you have selected the Fuzzy Mode, you will not need to adjust other settings to maintain the best freezing effect regardless of the ambient temperature changes.

You may select one of the two modes bellow to set your refrigerator as needed.

(1) Fuzzy Mode: We recommend using the Fuzzy Mode, unless there is a special need to use otherwise. (See Fuzzy Function Setting for details)

(2) Manual Mode: The temperature can be set by using temperature control button. (See Temperature Setting and Adjustment for details)

## 3. Put the food into your refrigerator

After running for a while, the inside of the refrigerator is sufficiently cooled At this time, food can be put into the refrigerator.

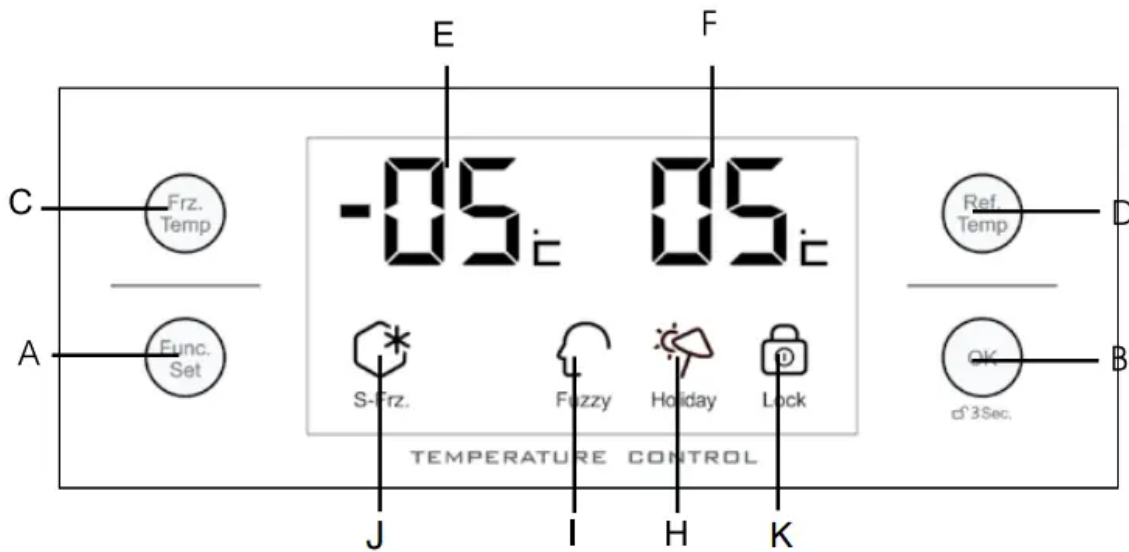
Note: small freezer drawer may be removed before putting food into large freezer drawer in order to put more food.

## 4. If you have lots of fresh food (such as fresh meat) put into Freezing Chamber, please start Super Freezing function 12 hour before.



**CAUTION:** When the temperature setting changes, the inner temperature will be balanced after a while. The length of the period depends on the changes made to the temperature setting, the ambient temperature, door-open times, and the food stored in the refrigerator.

## Product Function



A. Function Selection Select Super Freezing, Fuzzy, Holiday and Lock.

B. Function Confirmation: enable and disable the selected function;

C. Freezing Temperature Control Button: adjust freezing temperature;

D. Refrigerating Temperature Control Button: adjust refrigerating temperature;

E. Freezing Temperature Display Icon

F. Refrigerating Temperature Display Icon

H. Holiday Icon

I. Fuzzy Icon

J. Super Freezing Icon

K. Lock Icon

### 1. Holiday Function Setting

In the unlocked status, press "Function Select Button", select the Holiday function, at this time the "Holiday Icon" will blink, press down the "Function Confirmation Button", the Holiday Icon displays, and enter the Holiday function; If you want to exit the Holiday function, please press the "Function Confirmation Button" and select the Holiday, and the "Holiday Icon" will still blink, press down the "Function Confirmation Button", the Holiday Icon will switch off, and the Holiday function is exited.

CAUTION: Before activating the Holiday function, please empty the refrigerating chamber to avoid food spoilage.

### 2. Fuzzy Function Setting

In Fuzzy status, refrigerator will adjust the temperature setting automatically according to the ambient temperature and the temperature within the refrigerator. No manual control is required. In the unlocked status, press "Function Select Button", select the Fuzzy

fuction, then" Fuzzy cursor" will blink, press down the "Function Confirmation Button", the Fuzzy Icon will display and enter the function of Fuzzy; If you want to exit the Fuzzy function, please press the "Function Select Button", select the Fuzzy function, the "Fuzzy Icon" is still Blinking, press down the"Function Confirmation Button", the Fuzzy Icon will switch off and the Fuzzy function is exited.

### 3. Super Freezing Function Setting

Super Freezing function is designed to maintain the nutritional value of food inside the freezing chamber, it will completely freeze the food in a short time. In the unlocked status, press "Function Select Button", select the Super Freezing function, at this time the "Super Freezing Icon" is blinking, press down the "Function confirmation Button", the Super Freezing icon displays, and enter the Super Freezing function; If you want to exit the Super Freezing function, please press the "Function Confirmation Button" and select the Super Freezing function, and the "Super Freezing Icon" is still in blinking, press down the"Function Confirmation Button", the Super Freezing icon will off, and the Super Freezing function is exited.

CAUTION: Select Super Freezing functions in Fuzzy status, the Fuzzy status will exit automatically; additionally, select Fuzzy function in Super Cooling or Super Freezing status, the Super Freezing Caution status will exit automatically.

### 4. Lock/Unlock Functions Setting

In unlocked status, press "Function Select Button", select the Lock function, the "Lock Icon" blinks, press down the" Function Confirmation Button", the Lock Icon Displays, and enter the locked status; In the locked status, press down the "Function Confirmation Button" for 3 second, the Lock Icon will be off and the locked status is exited. In the locked status, the functional controls of refrigerating temperature, freezing temperature,Holiday, Fuzzy,and Super Freezing are not available.

### 5. Temperature Setting and Control

(1 ) Controi of Freezing Temperature In the unlocked status, press "Freezing Chamber Temperature Control Button", the original freezing chamber setting temperature start to blink. Enter freezing chamber temperature setting status, since then for each single press of this button, the freezing chamber setting temperature is displayed in cyclic form by "-14, -15, -16, -17,-18,-19, -20, -21, -22", if no button-pressing operation is initialed over 5 seconds, the blinking will stop and confirm the current temperature setting value.

(2) Control of refrigerating Temperature In the unlocked status, press" Refrigerating Temperature Control Button ", the original refrigerating chamber setting temperature start to blink. Enter refrigerating chamber temperature setting status, since then for each single press of this button, the refrigerating chamber setting temperature is displayed in cyclic form by "09, 08, 07, 06, 05, 04, 03, 02, 01", if no button-pressing operation is initialed over 5 seconds, the blinking will stop and confirm the current temperature setting value.

(3) In the status of Holiday, Fuzzy the refrigerating temperature control is not available; in Fuzzy and Super Freezing status, the freezing temperature control is not available.

#### 6. Alarm Function

Open-door Alarm Function. When the refrigerator door is left open for a long-term period or not closed in tight, the refrigerator will sound a buzzer in a time interval to remind you to close the door immediately.

#### 7. Energy-saving Display Control Function

30 seconds after button-pressing operation, display screen backlight will be off, this could save electric energy. When pressing any key or opening the door, resume the display panel lighted status. The corresponding press-button light will activate for button-pressing operation.

#### 8. Power Outage Memory Function

When refrigerator has a power outage, the instantaneous working status during the outage is memorized. After the power is on, the refrigerator will still run according to the setting tags and function states before the power outage.

CAUTION: The Lock function is not memorised. The refrigerator is at unlocked status when the power is on.

## How to save energy

(1) Install the appliance in a cool, well ventilated room, far from a heat source (radiator, cooker, etc.), not in direct sunlight.

(2) The time and frequency for opening of the doors should be as short as possible. For example, store food in an organized way will reduce your time when you take something out from the appliance.

(3) Store the food covered or packaged.

(4) Let the hot food or drinks cool down before placing them in the appliance.

(5) When thawing frozen food, place it in the refrigerator compartment. You can use the low temperature of the frozen food to cool the food in the refrigerator compartment.

(6) Do not store too much food in the appliance, this may block air circulation.

(7) Temperature setting, the lower the temperature set in the compartment, the higher the energy consumption. So it is better to set a higher temperature if your food storage condition is optimal.

(8) Keep the large freezing drawer closed, take out the small freezing drawer, and then take out and put the food in the small freezing drawer; in this way, larger using space can be achieved and power consumption of refrigerator can be reduced.

## About Refrigerating Chamber

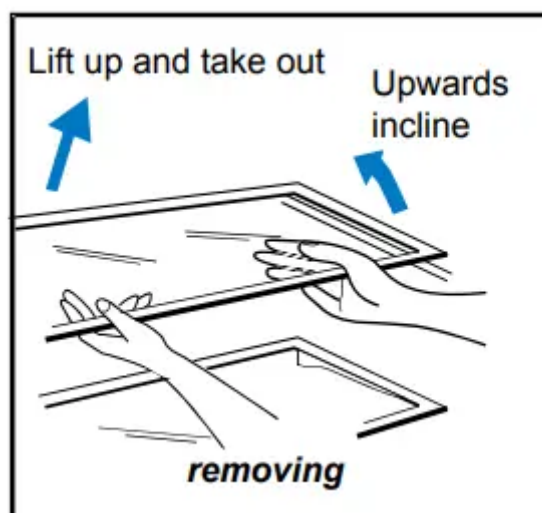
### Please put the frequent use or short-term storage food into refrigerating chamber

Adjusting the temperature level can maintain the average temperature between 0-10 °C For most of the areas in the refrigerating chamber, but it can not make long-term preservation for food, and the refrigerating chamber can only be used as a short-term storage chamber.



### The height of shelf is adjustable

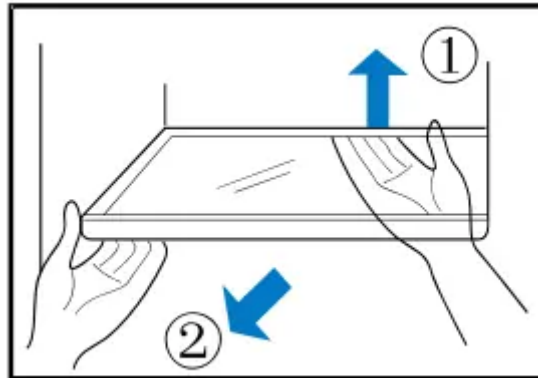
Adjust the shelf to a suitable height for food storage. Please remove the shelf when adjusting the height. To remove : raise the shelf in upwards incline direction, then lift it up, and the shelf is removed. When placing it, push-in the joint along the pad to lower front-end of the shelf and then insert into the groove.



CAUTION: Make sure the both ends of shelf are on level position. If it can not be level, the shelf may fall or the food may drop out.

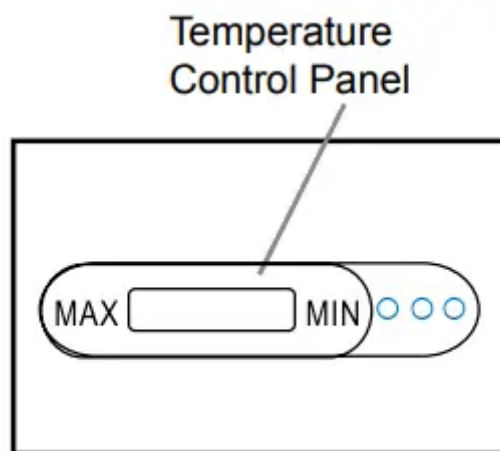
## The Remove of Crisper Cover

First take out the Crisper Cover and put it to a suitable position, then uplift the back-end of the cover in a direction(1), then pull it out in a direction (2).



## Full Wid. Drawer

1. Left slide the moisture control knob to increase the cool air access to the full wid. drawer, so a relatively low temperature is kept in the full wid. Drawer.
2. Right slide the moisture control knob to decrease the cool air access to the full wid. drawer, so a relatively high temperature is kept in the full wid. drawer.

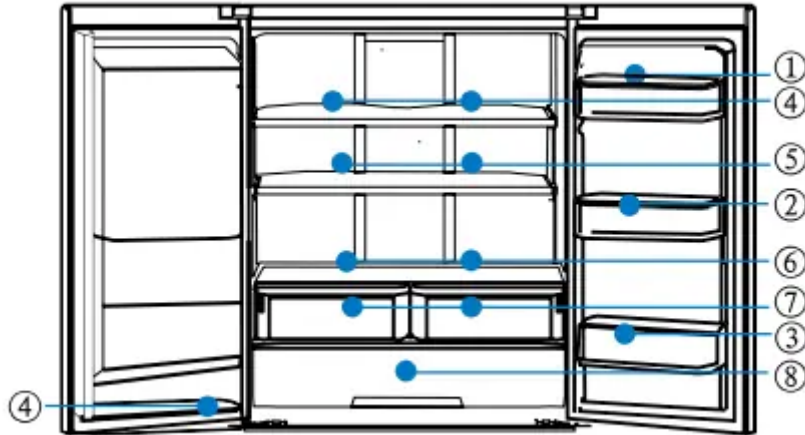


## Storage area recommendation for different kinds of food

Due to the cold air circulation inside the refrigerator, there are temperature variations at different parts inside the refrigerator, so different kinds of food should be placed in different temperature zones.

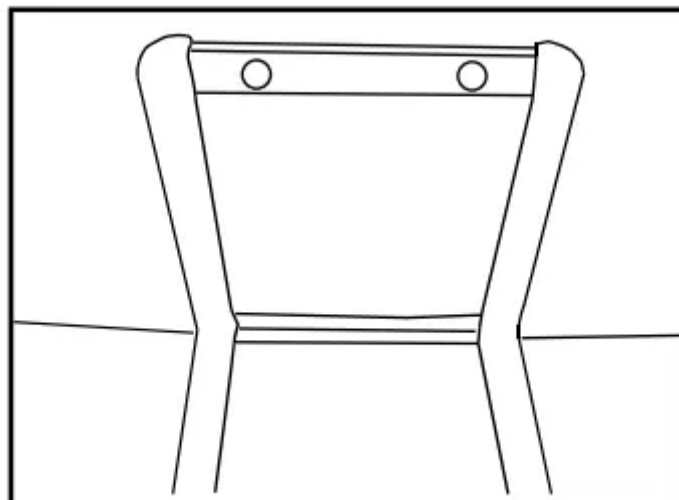
- (1) eggs, butter and cheese, etc
- (2) zip-top can, tin can and seasoning, etc
- (3) beverages and other kinds of bottled foods

- (4) pickled food, tin can, etc
- (5) meat products and snack foods, etc
- (6) wheaten food, noodle, tin, milk and tofu, etc
- (7) fruits, vegetable and salad, etc
- (8) cooked meat and sausages, etc



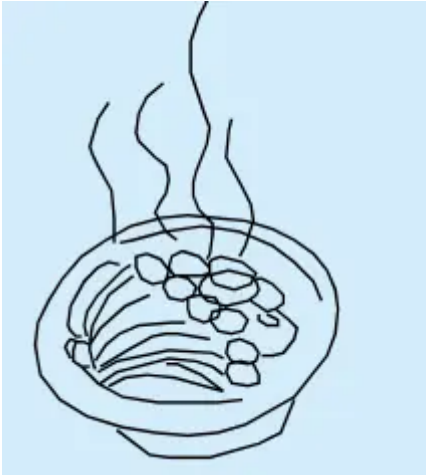
### Refrigerating Chamber Light and Its Replacement

Parameters for each light: DC12V, 1W The light is LED light with low energy consumption and long operation life. If any unusual activity occurs, do not remove it at your own discretion, please contact after-sale service personnel immediately for a replacement.



## Precautions for Refrigerating Food

Do not put hot food into the refrigerator before cooling it to room temperature.



Put the food into the refrigerator for storage after it is cleaned and dried from the water drops.



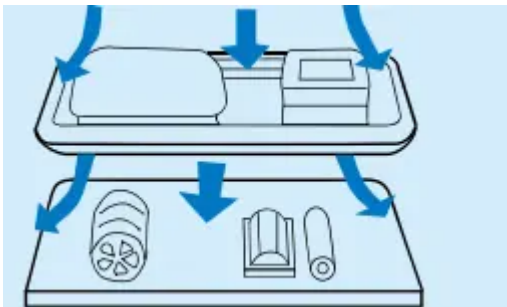
Food must be sealed before being put into refrigerator so as to prevent water from evaporating and keep fruits and vegetables fresh, and also to avoid the food tainted by odors.



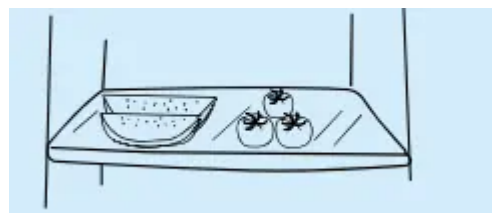
Food should be refrigerated in classifications. Manage the foods according to their classifications. Daily diet food should be put at the front of the shelf so the doors do not need to be kept open for a long time.



Do not overfill the food in the refrigerator, separate the foods accordingly and left spaces for cold air circulation, so that a better refrigerating result can be achieved.



Food storage should not be too close to the inner wall. Higher moisture content food should not be close to the shelf inner wall to avoid being frozen, so please keep some distance from the inner wall when managing the food.

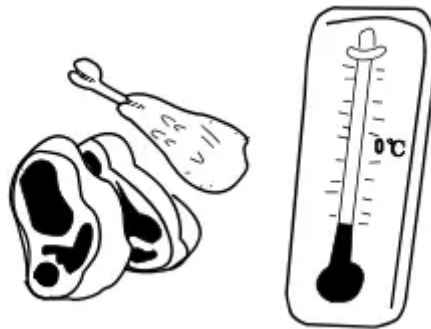


CAUTION: The food in the refrigerator, especially greasy food that has contact with the liner for a long-term period, will cause corrosion to the liner. Avoid possibly direct contact between food and the liner. When the liner is stained Caution with oil, please clean it in a timely manner.

### About Freezing Chamber

Freezing chamber is for long-term food storage

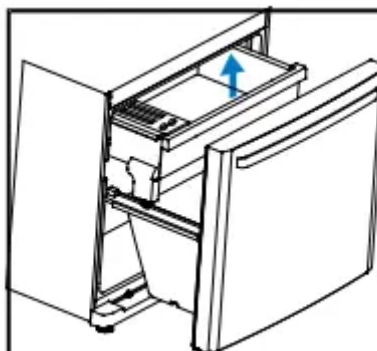
Low temperature in the freezing chamber can keep food fresh for a long time, so the best way for long-term food preservation is to put the food into the freezing chamber, but it should comply with the storage durations noted on food packaging.



### About Freezer Small Drawer

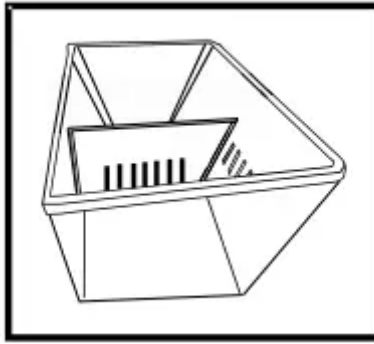
The freezer small drawer is equipped with an all-in-one ice maker.

For ice taking, please detach the ice storage box from the all-in-one ice maker and take out the ice block. If larger capacity is required by user, please just take out the freezer small drawer while keeping the freezer large drawer closed, then you could take out or put in a large amount of food from/to the freezer small drawer.



### The Adjustment of Freezer Large Drawer Board

For better convenience of food storage, the refrigerator is equipped with freezer large drawer board, this board can divide the freezer large drawer into two parts, the user can adjust the position of the board according to their food type



WARNING: Please take good care of your children and pets, do not let them play in the drawer in case of any unnecessary harms. Please do not dismantle the freezing drawer plate.

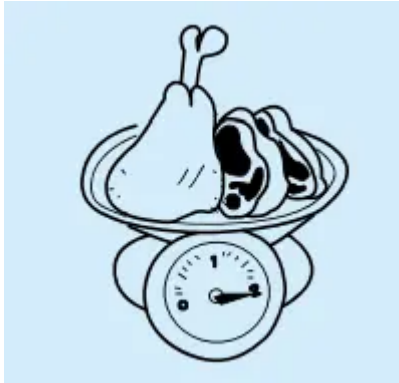
### **Freezing Chamber Light and Its Replacement**

Light parameters: DC12V, 1W If any unusual activity occurs, do not remove it at your own discretion, please contact after-sale service personnel immediately for a replacement.

### **Frozen Food Precautions**

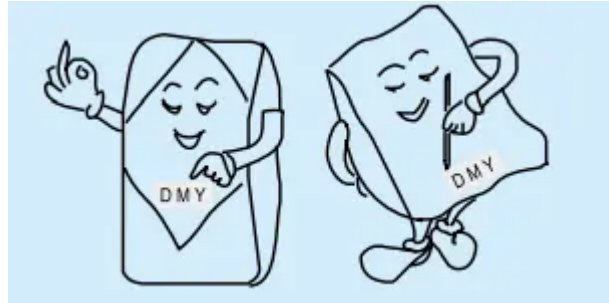
when the room temperature is high, the freezer temperature can be set into the lowest temperature setting directly so as to get the best freezing effect.

Divide the food into appropriate small portions in order to freeze it entirely. It also can better guarantee the quality when defrosting and cooking. Each portion of food should not be heavier than 2.5kg.



Do not put too much fresh food into the freezing chamber per time; you'd better refer to the freezing ability of the refrigerator.

Pack the food and keep the package outer surface dry before freezing in order not to be frozen together. The packing material should be tasteless, airtight, watertight, non-toxic, free of contamination in order to avoid odor and quality deterioration.



About food storage, you should mark the date, deadline and name on the food packing bag according to its storage duration to avoid food expiration.

Do not put hot food into the freezing chamber before cooling to room temperature. Please start up "Quick-freezing" function in advance of 12 hours if a large number of foods need to be frozen once only



If possible, only take out required amount of food from the freezing chamber for defrosting, the defrosted food can not be re-frozen unless it is cooked, as it will affect its taste quality.



# Cleaning and Disuse

## Frost Removing of the Freezing Chamber

Automatic way of frost removing is applied in the freezing chamber of this refrigerator. Manual operation is not in needed.



## Cleaning

Food left in the refrigerator will release unpleasant smells, so periodic cleaning is in advised.

Unplug the power supply plug before cleaning for safety. Dip soft towel or sponge to warm water (neutral detergent may be added) to clean the refrigerator. Wipe out water on the surface of the refrigerator with dry towel.



CAUTION: Scrubbing brush, wire brush, abrasive (such as tooth paste,cleanser and etc), organic solvent (such as gasoline, banana oil, acetone and Caution etc), hot water, acid or base are not to be used from cleaning the refrigerator.

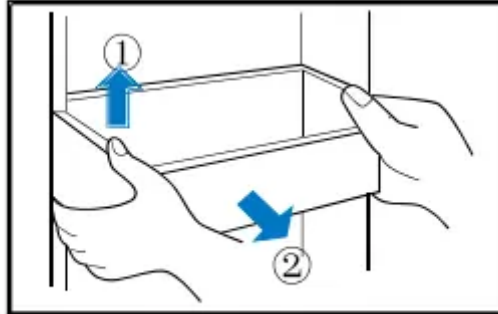
CAUTION:

- (1) As the refrigerator is quite heavy; protect the ground when you move the refrigerator for cleaning and maintenance. Keep the refrigerator standing in movement. Shake is not advised to protect the ground.
- (2) Spraying is avoided in cleaning to guarantee the electrical insulation.
- (3) In the cleaning of electrical parts like the switch and the lamp, dry wiping must be applied after electricity is cut down.
- (4) Wet hands on the surface of the freezing chamber to avoid sticking of the skin to the parts.
- (5) Hot water is forbidden from cleaning the icy glass shelves to avoid physical damage and treasury loss due to break of the glass resulted by severe change of temperature.

(6) The door seal is easy to smear. Please keep it clean.

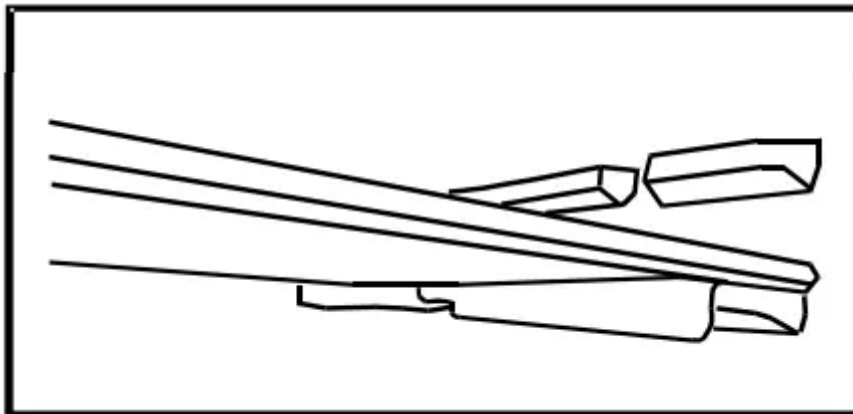
### **Cleaning of the Bottle Seat of the Door**

Hold both sides of the bottle seat; lift it up in direction (1) and then pull it out in direction (2). Bottle seat can be fixed in the reverse direction after cleaning.



### **Cleaning of the Freezing Refrigerator Shelf**

Lift the shelf up and pull it out forward. Dip soft towel or sponge to warm water (neutral detergent may be added) to clean the shelf. It can be fixed in the reverse direction after cleaning.

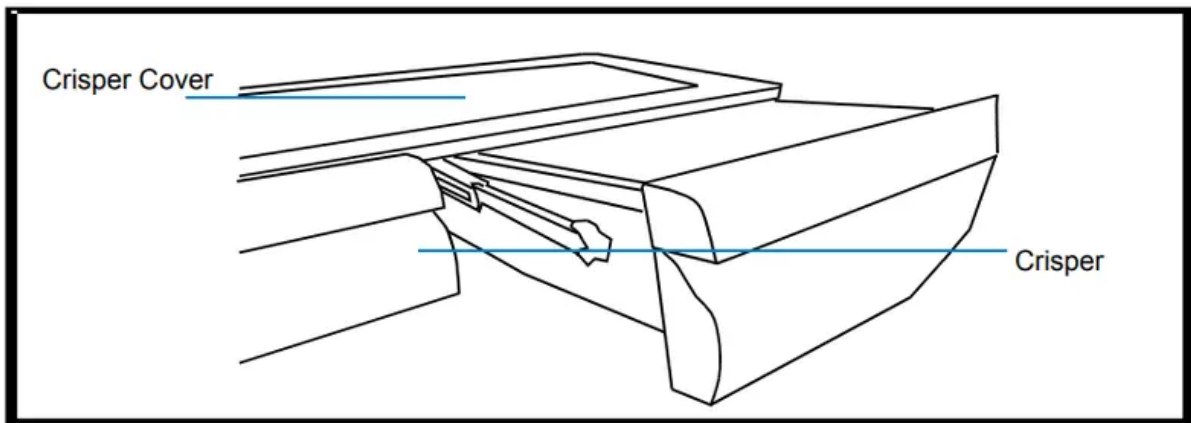


### **Cleaning of the Crisper**

Simply pull the crisper out and lift it up. Dip soft towel or sponge to warm water (neutral detergent may be added) to clean the crisper. It can be fixed in the reverse direction after cleaning.

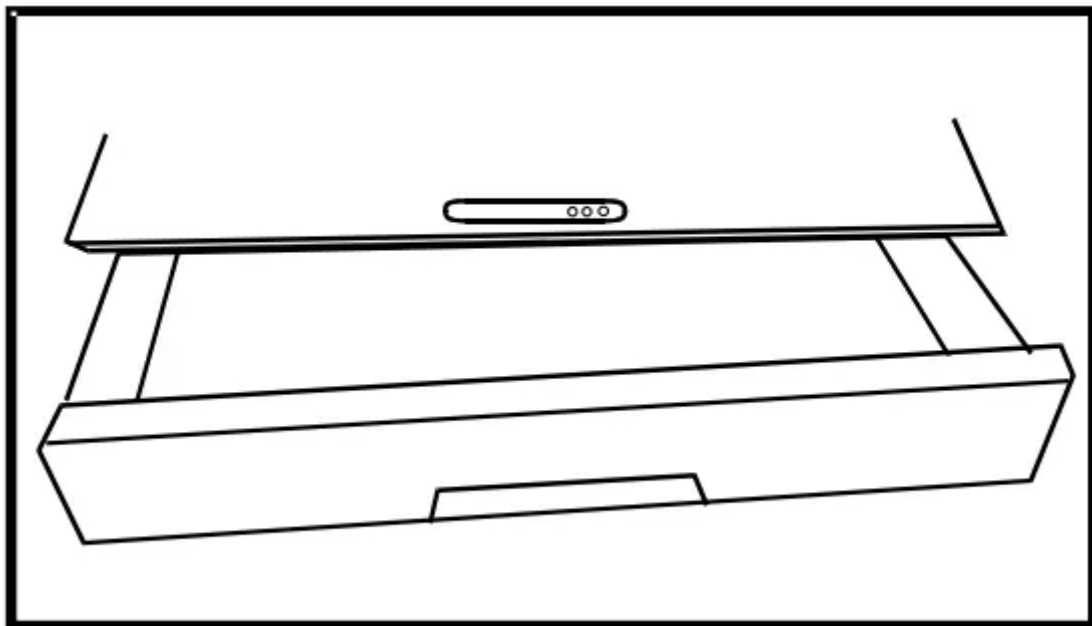
### **Cleaning of the Crisper Cover.**

Get the crisper down and lay it in a proper place. Lift the cover up and pull it out forward. Dip soft towel or sponge to warm water (neutral detergent may be added) to clean the cover (notice that the cover is made of glass plate and plastic shelf. Attention should be paid to the glass plate to avoid damage.). It can be fixed in the reverse direction after cleaning.



### **Cleaning of the Rectangle Drawer and Its Cover**

Pull the drawer out forward and lift it up; get the crisper and the drawer down and lay them in a proper place. Then lift the cover up and pull it out forward. Dip soft towel or sponge to warm water (neutral detergent may be added) to clean the drawer. It can be fixed in the reverse direction after cleaning.

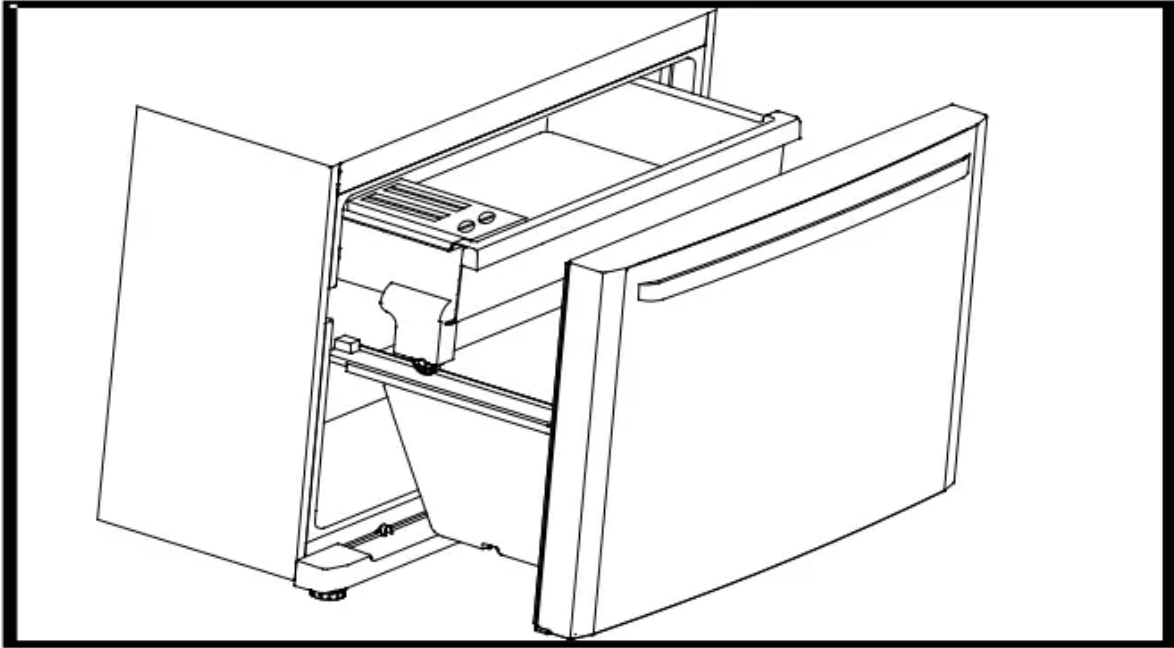


### **Ice Maker in the Freezing Chamber**

Get the ice maker out of the freezer small drawer. Dip soft towel or sponge to warm water (neutral detergent may be added) to clean. Simply place It back Into the small drawer after cleaning.

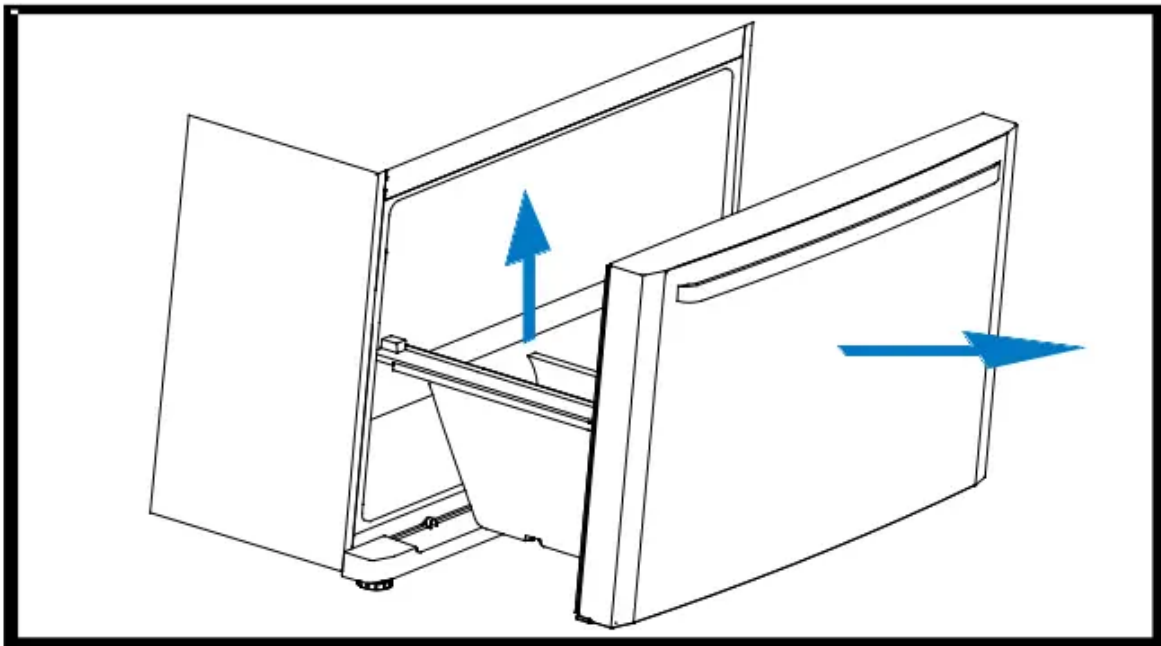
### **Freezer Small Drawer**

Simply pull the freezer small drawer forward and lift It up. Dip soft towel or sponge to warm water (neutral detergent may be added) to clean the drawer. It can be fixed in the reverse direction after cleaning.



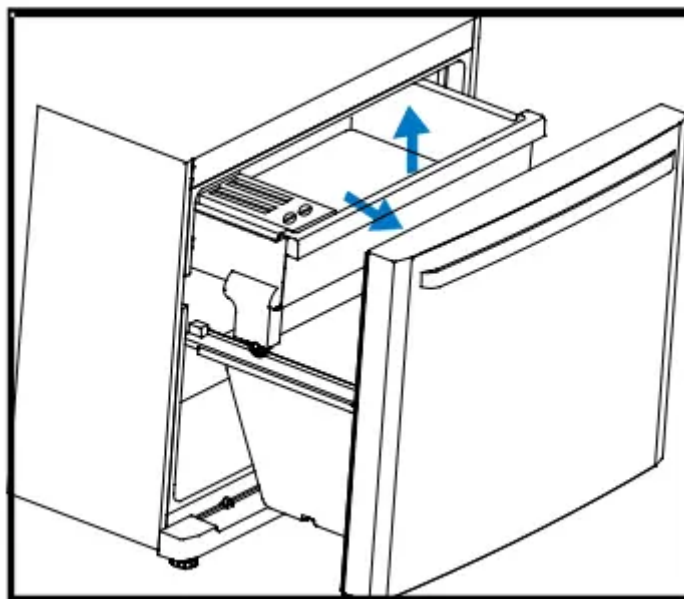
### Freezer Large Drawer

Simply pull the freezer wire frame forward and lift it up. Dip soft towel or sponge to warm water (neutral detergent may be added) to clean the drawer. It can be fixed in the reverse direction after cleaning.



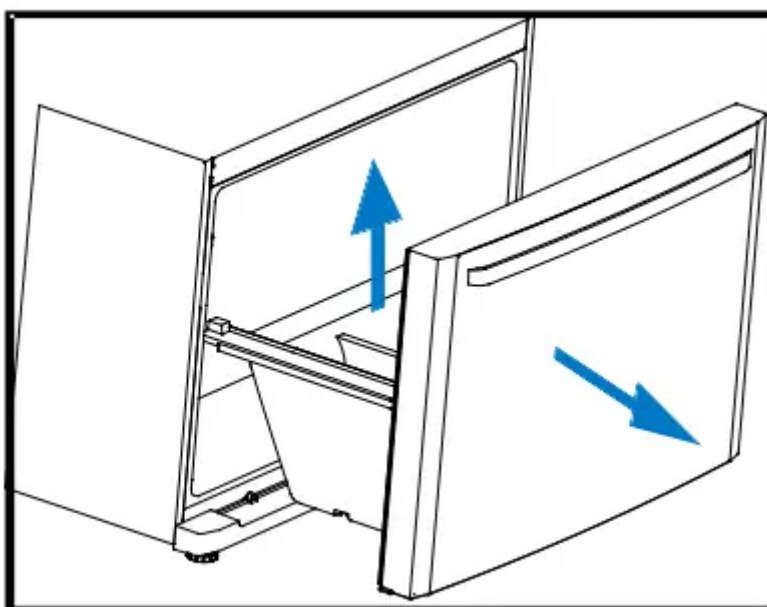
### Disassembly and Assembly of Freezer Small Door

Pull the freezer small drawer out. Then lift up the freezer small door and pull it up to get the freezer small door down.



### Disassembly and Assembly of Freezer Large Door

Pull the freezer large drawer out. Then lift up the freezer small door and pull it up to get the freezer large door down.

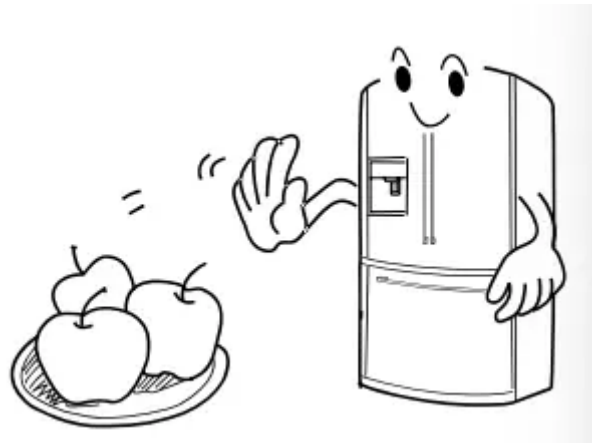


### Suspension

#### Treatment of Power Failure

Within 1-2 hours of power failure, the refrigerator can store food. If the power failure lasts over 24 hours, frozen food will all unfreeze. Never place more food into the refrigerator after power failure. Open the door of the refrigerator as few times as possible. If the power failure is known in

advance, more ice cubes should be made and placed in leakproof container to lie on the upper side of the refrigerating chamber.



**CAUTION:** Temperature upturn within the freezing chamber due to power cut or other causes will shorten the shelf time and lower the eating quality of the food.

### **Disuse**

If in need of a long suspension of use, power supply plug of the refrigerator should be plucked to cut the power, and clean the refrigerator following means as mentioned above. The door of the refrigerator should be open in suspension of use to prevent the small amount of food left producing unpleasant smells.



**CAUTION:** Never use the refrigerator in common situation in avoidance of impact on the work life of the refrigerator. After the power supply plug is plucked, at least 5 minutes should be suspended before a second plug.

### **On Vacation outside**

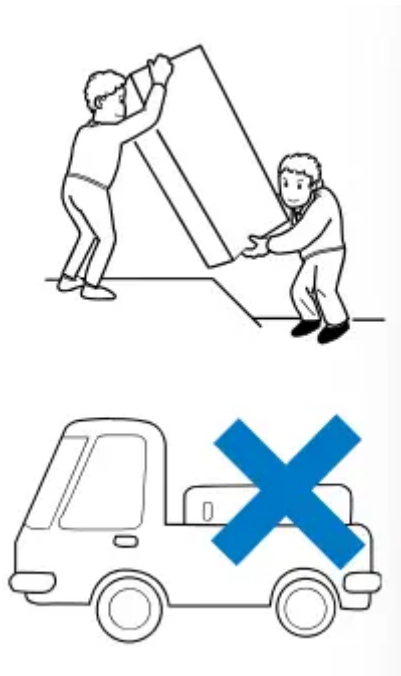
In case of long vacation outside, please cut off the electricity and get the food out. After the frost is melted away, clean the internal. Open the door of the refrigerator to prevent food left producing unpleasant smells.



**WARNING:** After the levelling stools cease to work, they are to be properly handled or handed to professionals. Never throw them away at will to prevent harming the Warning environment or provoking other dangers.

### **In Movement**

Pluck the power supply plug to cut off the power. Take all food out of the refrigerator. Fix moving parts like the refrigerating chamber shelf, crisper and freezing chamber shelf with tapes. Close the door of the refrigerator tightly and fix it with tapes to prevent open in the movement. In the movement of the refrigerator, the maximum inclination angle should be less than 45 degree (angle in the vertical direction) to prevent damage to the ice-making system to impact the normal use.



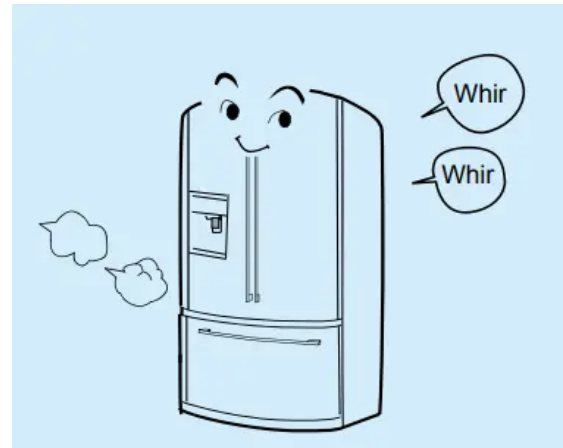
**Forbidded:** Never lay the refrigerator down.

## FAQ (stange voice in refrigerator)

When running the refrigerator for the first time, there will be a loud sound keeping for a short while, as it has not entered into a steady running status; the sound will come to be normal after it becomes steady.



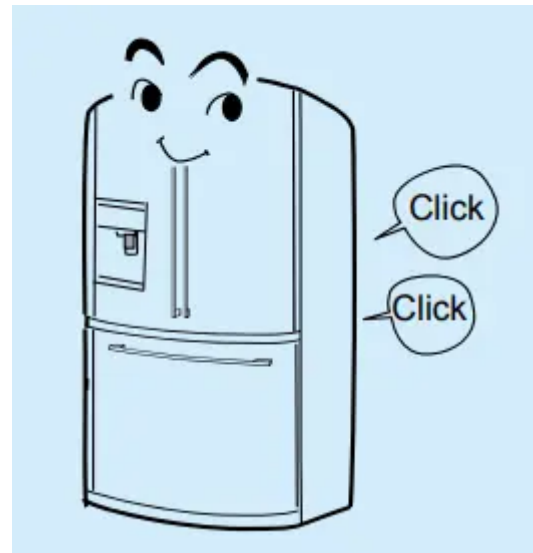
There will be a normal sound coming from working fan while the refrigerator is working.



As the temperature changing occurs when the refrigerator's running, things in refrigerator will expand or contract frequently so there will be a pit-a-pat from evaporator and pipelines.



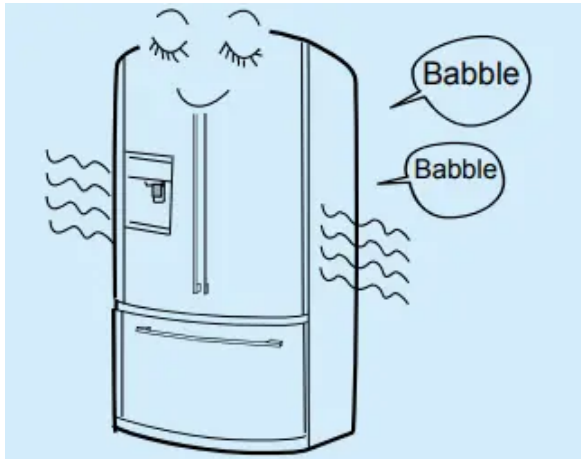
Tap-tap is a normal sound when the compressor is working, or when you are starting up or shutting down the refrigerator.



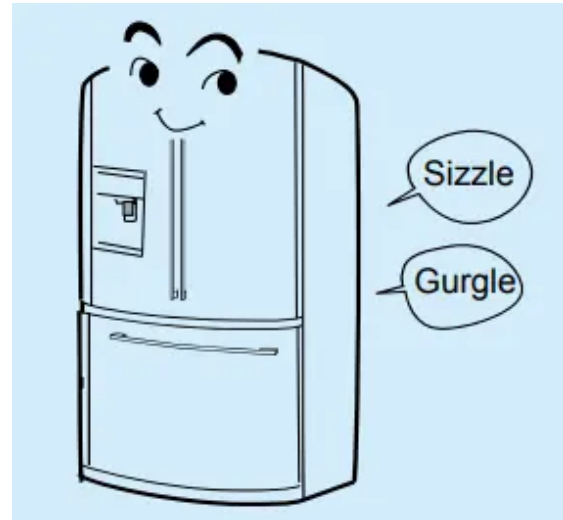
When liquid refrigerant is flowing in the evaporator, it will produce a voice that sounds like water flow. Normally, this sound is heard in evaporator and compressor; when the refrigerator stops working, such voice may also

When working the defrosting cycle, water drops onto the hot filament will lead a sound like Chi-Chi. After the cycle gets completed, there may occurs small cracking sounds, and a boiling sound or Gu-Gu sound may be heard

continuously occur due to the backflow of liquid working or discontinuously substance.



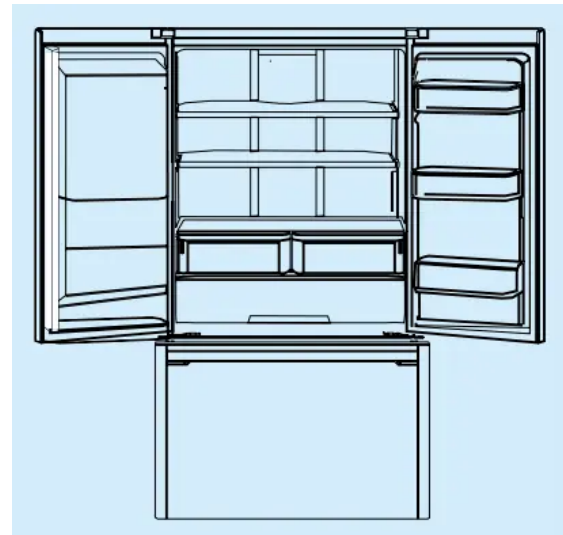
from evaporator. These are the normal sounds during defrosting operation.



When refrigerator used for the first time, long-time working may cause high temperature of body and compressor, which is a normal operation.



When refrigerator runs for long hours, the surface of the erect-beam installed on the left door of the refrigerating chamber and the door body will be warm, this is a normal phenomenon which is mainly designed to prevent condensation phenomenon.



Water droplets may appear on outside surface and center beam between doors when air humidity is high, just mop them with soft cloth.



### **Warning**

This content is compiled from multiple sources and is provided for reference purposes only. It may not be complete or fully applicable to all situations. If you are unable to resolve your issue, please contact the product manufacturer or an authorized service provider for official support.