

## Basic Operation & Driving Guidelines

### Basic Operation

#### Starting & Stopping the Engine

For safety, we recommend that you start the engine in a wellventilated area. If that is not practical, move the vehicle outdoors as soon as possible. The engine's exhaust contains carbon monoxide, a colorless and odorless gas that can cause illness and even death.

#### WARNING

- Running the engine of your vehicle while in an enclosed or even partially enclosed area can cause a rapid build-up of toxic carbon monoxide gas.
- Breathing this colorless, odorless gas can quickly cause unconsciousness and lead to death.
- Only run your vehicle's engine when it is located in a well ventilated area outdoors.

The starter motor will operate when the shift select lever is in the park (P) or neutral (N) position, or the brake pedal is pressed. You should do the following checks and adjustments before you drive your vehicle.

#### Before START:

1. Check that any items you may be carrying are stored properly or fastened down securely.
2. Make sure the doors, side nets and front hood are securely closed.
3. Fasten your seat belt. Check that your passenger has fastened their seat belt as well.
4. When you start the engine, check the indicators in the instrument panel.

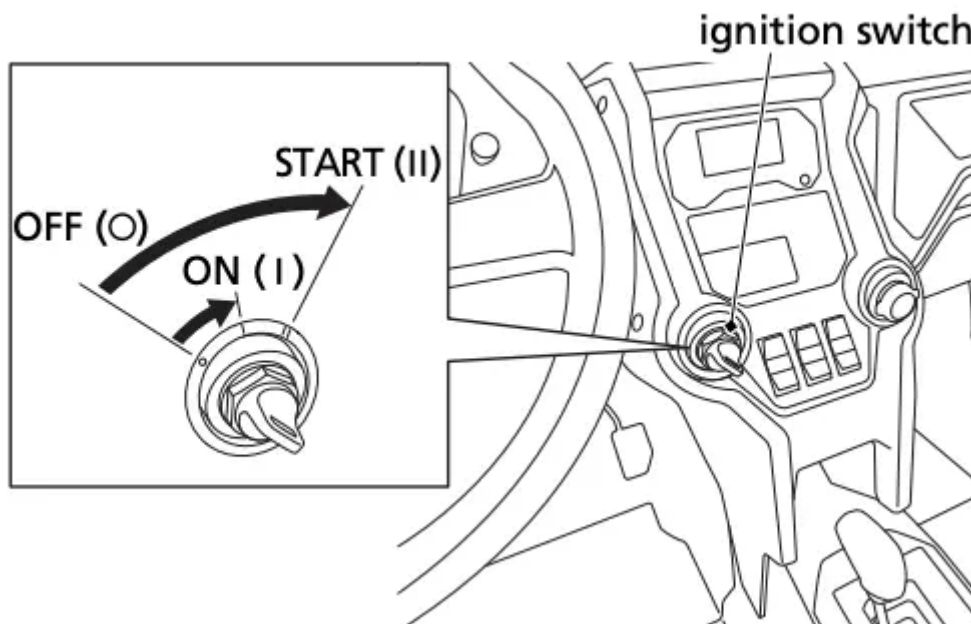
#### Starting the engine:

1. Shift the shift select lever into the park (P) position.
2. Press on the brake pedal.
3. Without touching the accelerator pedal, insert the key and turn the ignition switch to the START (II) position. Immediately after the engine starts, let go of the key. The switch returns to the ON (I) position. Do not hold the key in the START (II) position for more than 5 seconds at a time. If the engine does not start after 5 seconds, turn the key back to the OFF (O) position and wait about 10 seconds before turning it to START (p) again.

If the engine fails to start after repeated attempts, it may be flooded with excess fuel. To clear a flooded engine:

1. Press the accelerator pedal all the way down. The engine will not start when the throttle is fully open because the electronic control unit shuts off the fuel supply.
2. Turn the ignition switch to the START (II) position for 5 seconds to clear flooding.
3. Follow the normal starting procedure.
4. If the engine does not start, wait 10 seconds, then follow steps 1 - 3 again.

If the engine still won't start, see *If Your Engine Quits or Won't Start*, page 226.



To stop the engine, turn the ignition switch to the OFF (O) position. Remember to shift into the park (P) position and remove the key if you plan to leave the vehicle.

## Shifting Gears

You can move forward or in reverse by shifting the shift select lever from P or N, to R, H, or L. Your Honda SXS is equipped with a dual clutch transmission, which is an automatically controlled 6-speed transmission.

When the shift select lever is in the high-range (H) or low-range (L) position, you can switch between AT mode and MT mode by pressing the AT/MT switch. In AT mode, you can use the shift paddles to temporarily select a gear.

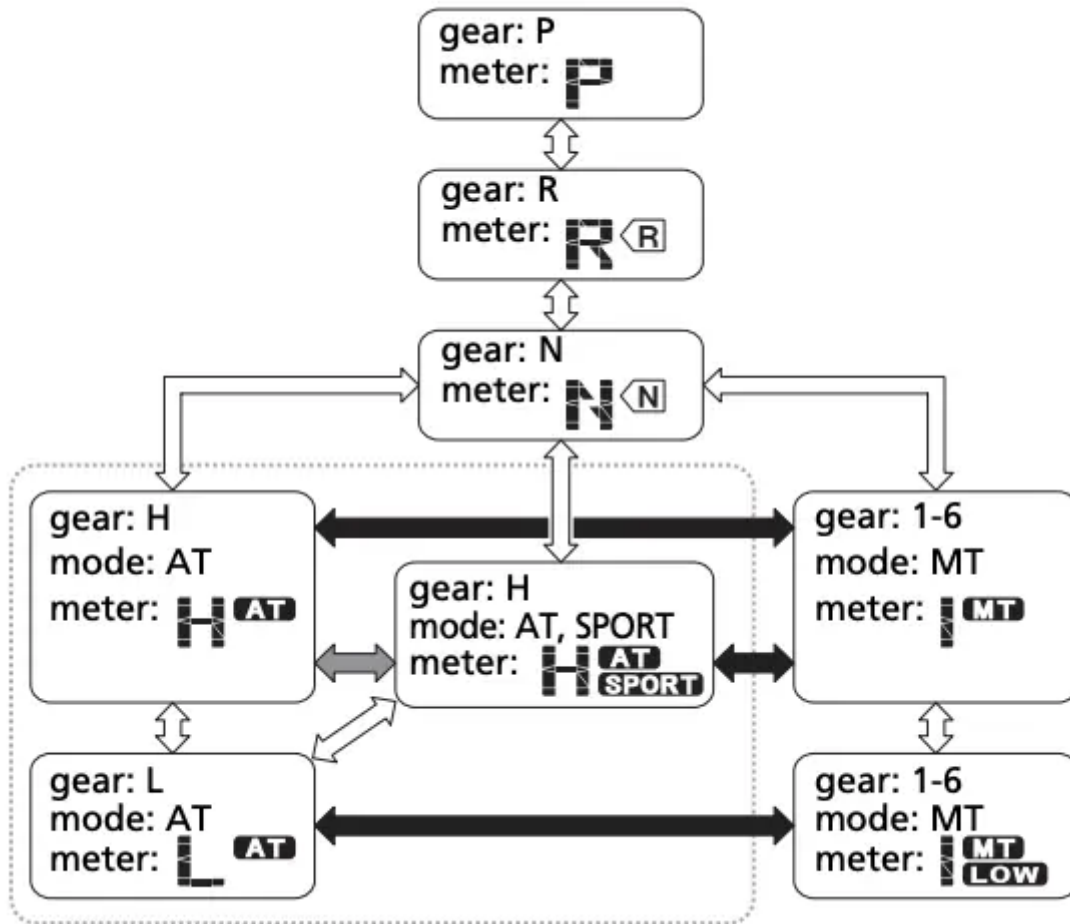
To avoid damaging the transmission, move the shift select lever only when the vehicle is stopped and the engine is idling. Select a driving mode appropriate for your driving environment and driver visibility

**NOTICE** Under extreme constant high load usage, the temperature of the clutch can rise over the allowable temperature limit for the clutch material. In this usage condition, clutch slippage and burning may occur and the clutch temperature indicator may flash.

To avoid damaging the clutch, follow the proper usage of the subtransmission dual range as described. To prevent clutch damage, do not use the throttle to hold the vehicle stationary on an incline or try to pull an immovable object.

If the clutch temperature indicator flashes while driving, see page 238.

### Shift Position and Meter Display



⇨ shift the shift select lever

➡ push the AT/MT switch

➡ push the SPORT switch

⋮ shift override using shift paddles is available. during shift override, shifted gears (1 – 6) are displayed



## Selecting a Shift Position

Your Honda SXS has five shift select lever positions: park (P), reverse (R), neutral (N), high-range (H), and low-range (L).



**Park:**

Used when parking or starting the engine.



**Reverse:**

Used when driving in reverse.



**Neutral:**

Used when idling the engine during a temporary stop.



**High-range:**

Used when driving forward on hard surfaces or with light cargo. You can switch between AT mode and MT mode by pressing the AT/ MT switch. You can also select SPORT mode in AT mode.



**Low-range:**

Used when driving forward in the following situations:

- When driving with heavy cargo
- When ascending steep hills
- When driving over large obstacles
- When driving at a constant low speed (5 mph [8 km/h] or below)

You can switch between AT mode and MT mode by pressing the AT/ MT switch.

To avoid damaging the transmission, move the shift select lever only when the vehicle is stopped and the engine is idling.

## Selecting a AT/MT Mode

Your Honda SXS has 2 transmission modes: AT mode and MT mode.



**AT mode:**

This mode automatically shifts the gears with optimal timing according to your driving conditions. You can temporarily shift up or down by operating the shift paddles while driving in AT mode. At the same time, the shifted gear is shown on the gear position indicator.



#### **MT mode:**

In this mode, the gears are shifted manually through shift paddle operation.

- Pulling the shift paddle does not continuously shift the gears. To continue shifting, release your fingers from the shift paddle, and then pull the shift paddle again.
- The gears do not shift up automatically in MT mode. Do not allow the engine to exceed the rev limit.
- The gears shift down automatically when you slow down, even in MT mode.
- You will start from 1st gear when MT mode is selected. For details on shift paddles operation in MT mode, see page 94.

When using the AT/MT switch to switch between AT mode and MT mode, be sure the shift select lever is in the high-range (H) or lowrange (L) position.

### **Selecting SPORT Mode**



#### **SPORT mode:**

When using the SPORT switch, shift the shift select lever to the highrange (H) position, and select AT mode. When SPORT mode is turned on, the SPORT indicator comes on. In SPORT mode, high engine revolutions is used compared to normal AT mode.

### **Temporarily changing gears by operating the shift paddle while AT mode is selected**

You can temporarily change gears by operating the shift paddles even while AT mode is selected. When operating the shift paddles while AT mode is selected, the “H” or “L” displayed in the gear position indicator of the multifunction display changes to a gear position number (1 – 6). (The AT indicator stays on)

Because the gear change is temporary, the vehicle automatically returns to normal AT mode under the following conditions:

- When the shift paddles are not operated for a prescribed time
- When the vehicle speed is reduced and automatically downshifts
- When the AT/MT switch is pressed
- When the SPORT switch is pressed
- When the shift select lever is operated

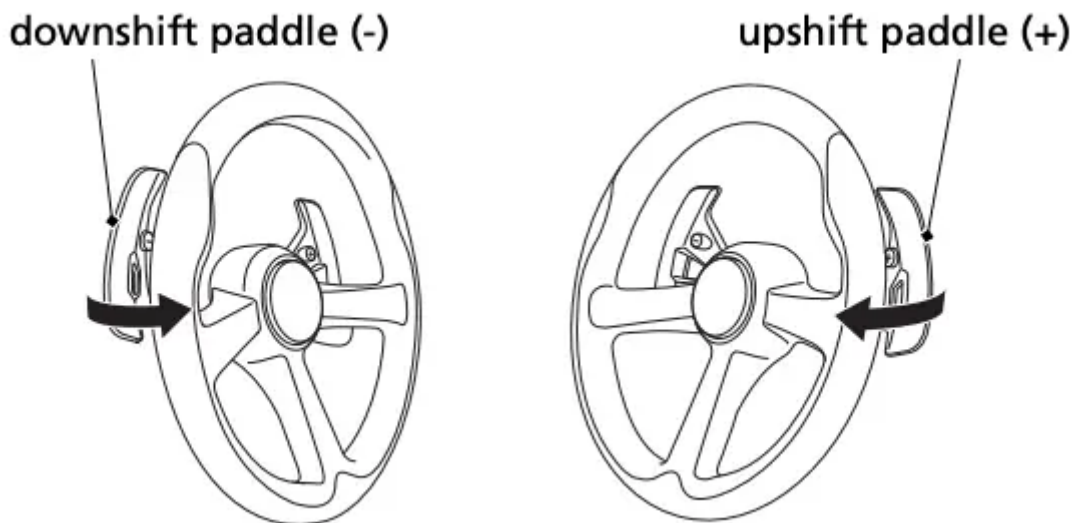
Shift Limit: During MT mode, downshifts may not be executed if it causes the engine to exceed the rev limit.

**NOTICE** To prevent clutch damage, do not use the throttle to hold the vehicle stationary on an incline or try to pull an immovable object.

### **Driving by operating the shift paddles while MT mode is selected**

To upshift the transmission, pull the right side upshift paddle once. To downshift the transmission, pull the left side downshift paddle once.

#### **GEAR SHIFTING SEQUENCE**



After starting the engine and letting it warm up, follow this procedure:

1. Press the brake pedal.
2. With the throttle closed, select the shift select lever into highrange (H) or low-range (L) position, and then select MT mode by pressing the AT/MT switch.
3. Release pressure from the brake pedal and increase engine speed by gradually pressing the accelerator pedal.
4. When speed increases, shift to 2nd gear by pulling the upshift paddle once.
5. Repeat this sequence to progressively upshift to 3rd, 4th, 5th and th (top) gear.
6. To downshift, pull the downshift paddle once.

### **Selecting a Drive Mode**

You can change the drive mode at any time the engine is running. See page 41 for additional information.

#### **2WD**

This mode supplies power to the rear wheels. This mode is best for surfaces that provide good traction.

## **I - 4WD**

This mode supplies power to the front and rear wheels. In addition, Brake Traction Control System (BTCS) will work to enhance vehicle stability in slippery conditions.

Brake Traction Control System (BTCS): BTCS applies the front brake in slippery conditions to help prevent loss of traction due to wheel spin when applying the accelerator pedal.

When applying the brake while BTCS is operating, the brake pedal will have a flutter feel. This is normal.

## **Parking**

Look for a clear, level parking area with a firm surface. Avoid parking on a slope or on loose or slippery surfaces, if possible. If you must park on a slope, block the wheels to help keep the vehicle from sliding.

After bringing your vehicle to a stop:

1. Keep your foot on the brake pedal while you shift into the park (P) position.
2. Slowly release the brake pedal.
3. Turn the ignition switch to the OFF (O) position, and remove the key

## **Driving Guidelines**

Your Honda SXS has been designed with many safety features to help protect you. These include a strong occupant protection structure, seat belts, doors, and side nets. However, no safety system can prevent all injuries.

The following pages contain important precautions and driving guidelines to help you make good decisions and operate your vehicle safely

**WARNING** Failure to follow the driving guidelines in this owner's manual can lead to a crash or overturn in which you or others can be seriously hurt or killed. Follow all safe-driving guidelines in this owner's manual.

## **Off-road Driving Considerations**

Your Honda SXS was designed and intended for off-road use. In the event that you must drive on a paved surface, be aware that your Honda SXS will feel and handle different than it does on dirt. The tires will also wear much faster.

## **Vehicle Design**

The Honda SXS handles somewhat differently from on-highway vehicles due in part to features that allow it to perform its role as an off-highway recreational vehicle. For example, this Honda SXS has a higher center of gravity than vehicles designed for use only on pavement. It is also equipped with large low-pressure tires that allow good traction in sand, loose dirt, wet grass and other low-traction surfaces.

These advantages come at some cost. Because your vehicle is taller and rides higher off the ground, it can more easily tip or roll over if you make abrupt turns or drive on sloped terrain.

### **Off-highway Environments**

Driving on private property, or in approved off-highway areas, means you leave a generally predictable and orderly world behind. You won't find lane markers or traffic signals, and no one will be there to warn you of trouble ahead. It's up to you to assess situations and drive within limits. The terrain has limits (it may be too steep or bumpy, for example). The vehicle has limits (e.g., traction, stability, and power). And you may be limited by lack of experience.

### **Surface Considerations**

The kind of surface you drive on can have important effects on how your vehicle handles. For example, on loose or soft surfaces you'll need more time and distance to accelerate, turn, or brake to a stop.

Avoid any sudden sharp turn, particularly on pavement and other hard surfaces. Always slow down after moving from one type of surface to another until you get accustomed to how your vehicle handles.

### **Reading the Terrain**

Because visual information comes in unpredictable ways off-road, you need to stay alert, constantly survey the terrain, and go slow enough to analyze situations and make good decisions.

As your eyes search the terrain ahead, watch for changes in surface conditions. One minute you can be on firm soil and the next in soft sand or deep mud. A path can quickly change from level to bumpy, slope at a dangerous angle, or disappear in a drop-off. Always keep your eyes open for holes, washouts, or obstacles that could upset or damage the vehicle.

### **Controlling Speed**

Whether you travel off-road or on pavement, the general rule is to keep your speed low. Of course, you'll need enough speed to keep moving forward, but too much speed can lead to problems.

When driving off-road at higher speeds, you have less time to read the terrain and make good decisions. The drive can also be more bumpy, and there's a greater chance of the vehicle sliding if you brake or turn quickly on wet soil, gravel, or another slippery surface. Never go faster than conditions allow. When driving at a constant low speed (5 mph [8 km/h] or below), shift the shift select lever into low-range (L) position.

### **Driving with Cargo**

The added weight of carrying cargo will affect how your vehicle accelerates, brakes, and handles.

Please follow these guidelines whenever you carry cargo:

- Do not exceed the cargo limit (page 82).
- When driving with heavy cargo, shift the shift select lever into low-range (L) position.
- Keep speed low, particularly when driving on hills.
- Allow extra distance to accelerate, turn and slow or stop.

## **Basic Driving**

### **Making Turns**

The basic turning technique for Honda SXS is to drive at low speed and gradually adjust the amount of steering to suit the surface. Do not make sudden sharp turns, either off-road or on pavement.

If your vehicle ever skids sideways during a turn, steer in the direction of the skid. Also, avoid hard braking or accelerating until you have regained directional control.

### **Braking**

The best off-road braking technique is to gently push down on the brake pedal, then increase pressure as more braking is needed. Light braking may be all you need on soft surfaces, such as sand or loose dirt. Avoid hard braking on any surface.

Your Honda SXS is equipped with an EBD. For more information about EBD, see page 71.

## **Driving on Hills**

Hills present some of the greatest challenges and hazards, especially if you are carrying cargo. If you are new to off-road driving, start with gentle inclines, take time to learn how your vehicle handles on slopes, and read the information that follows.

Even if you have previous off-road driving experience, the guidelines below should serve as important reminders.

### **Approaching a Hill**

When you approach a hill, you need to decide whether it is one that you, your passenger, your cargo and your vehicle can handle. For example, ask yourself:

- Is the hill too steep? Is the incline constant, or are there places where it gets suddenly steeper? If you run out of power, you may not be able to continue forward.
- Is there enough traction for you to make it to the top without spinning the wheels or sliding backwards?
- Are there obstacles, such as rocks or ruts, that could upset your vehicle and make it roll over?

- If there is no safe predetermined path, can you drive straight up the hill without turning?
- Do you know what is on the other side of the hill?

If you do not know the answers to these questions before beginning an ascent, you should stop and walk up the hill to find out.

### **Driving Up a Hill**

If you decide that it is safe to drive your Honda SXS up a hill:

- Select an appropriate drive mode for the hill. When ascending steep hills, shift the shift select lever into low-range (L) position.
- Approach the hill with enough speed to smoothly start up the hill.
- Maintain a steady speed as you climb the hill.
- Reduce speed as you approach the top, and watch for other vehicles that may be approaching the top from the other side of the hill.

#### **NOTICE**

To prevent clutch damage, do not use the throttle to hold the vehicle stationary on an incline or try to pull an immovable object.

### **If You Stall Going Up a Hill**

If a hill is steeper than you expected, traction is poor, or you don't maintain sufficient speed, you may begin to stall. If that happens:

- Stop the vehicle and shift into the park (P) position.
- If you have a passenger, you may want to have them get out and move away from the vehicle.
- If you are headed straight up the hill, shift into the reverse (R) position, and slowly back straight down the hill, gently using the brake pedal to control speed.

### **Driving Down a Hill**

Before driving down a hill, as with driving up a hill, you need to evaluate whether you can make it safely to the bottom and away from the slope.

Ask yourself:

- Is the hill too steep to maintain speed and steering control?
- Is the surface too rough or too slippery?
- Can you drive straight down without turning?
- Is there a safe exit when you reach the bottom of the hill?

If you decide it is safe to drive down a hill:

- Hold the steering wheel firmly and drive straight back down the hill.

- Gently apply the brakes to help control speed, but do not “ride” the brakes.

## **Crossing a Hill**

Before traversing a hill, consider these facts:

- A hill that you can drive straight up or down can be too steep to drive across.
- When you drive straight up or down a slope, the length of the wheelbase reduces the chance of tipping over backward or forward, but when you drive across a slope, the vehicle’s narrower track and higher center of gravity increases the chance of tipping or rolling over.
- If you drive across a slope and an uphill wheel hits a bump, or a downhill wheel drops into a hole, your vehicle will tip downward even more.

If you can’t clearly see all terrain conditions (good traction, no bumps, holes or other obstacles, etc.), stop and walk the slope before you drive on it. If you have any doubt whether you can safely drive across a slope, don’t do it. Find another route.

## **Avoiding Obstacles**

When driving off-road, always watch for bumps, pot holes, rain ruts and other obstacles. Large bumps and holes can bounce you around and cause you to lose control or get stuck. Slow down whenever you drive on rough terrain.

## **Driving Through Water**

Before driving through water, stop and make sure that:

- The water is not more than about 10 inches (25 cm) deep.
- The water is not flowing too fast. Deep rushing water can sweep you downstream. Even very shallow rushing water can wash the ground from under your tires and cause you to lose traction and possibly roll over.
- Both banks have gradual slopes and good traction, so you can enter the stream and exit safely.
- The surface under the water appears to provide good traction. Remember, the water may hide hazards, such as rocks, holes, mud, or slippery vegetation.

If you decide you can safely cross the water:

- Proceed at a slow, steady speed.
- Watch for submerged obstacles, including slippery rocks and holes.
- Avoid getting the spark plugs or air cleaner wet, as this would cause the engine to stop.

**NOTICE** Water entering the air intake system can cause severe engine damage.

If your Honda SXS becomes immersed in water (water level is above the floorboard), do not start the engine. Take your Honda SXS to your dealer for service.

## **Driving at Night**

If you drive your Honda SXS at night, always drive slower and more cautiously than you would in daylight.

## **Servicing Your Honda**

To help keep your Honda SXS in good shape, this section includes a Maintenance Schedule for required service and step-by-step instructions for specific maintenance tasks. You'll also find important safety precautions, information on fuels and oils, and tips for keeping your Honda looking good.

For information about replacing fuses, see page 239.

### **Maintenance Schedule**

The required Maintenance Schedule that follows specifies how often you should have your Honda SXS serviced, and what things need attention. It is essential to have your Honda SXS serviced as scheduled to maintain safe, dependable performance, and proper emission control.

The service intervals in this Maintenance Schedule are based on average driving conditions. Some items will need more frequent service if you drive in unusually wet, muddy, sandy, dusty areas or at full throttle. Consult your dealer for recommendations applicable to your individual needs and use.

Some items in the Maintenance Schedule can be performed with basic mechanical skills and hand tools. Procedures for these items are provided in this manual. Other items involve more extensive procedures and may require special training, tools, and equipment. We recommend that you have your dealer perform these tasks unless you have advanced mechanical skills and the required tools and equipment. Procedures for such items in this schedule are provided in an official Honda Service Manual available for purchase (page 272).

If you do not feel capable of performing a given task or need assistance, remember that your Honda dealer knows your Honda SXS best and is fully equipped to maintain and repair it. If you decide to do your own maintenance, use only Honda Genuine Parts or their equivalents for repair or replacement to ensure the best quality and reliability.

Perform the pre-drive inspection (page 78) and owner maintenance in this section at each scheduled maintenance period.

### **Maintenance Minder Messages on the Multi-function Display**

The maintenance minder indicator appears in the multi-function display when the mileage or operating hours on your Honda SXS reaches the maintenance interval specified on the maintenance schedule.

Maintenance Minder Indicators:

	<p><b>Initial Maintenance</b></p> <p>Appears at 100 miles (150 km) or 20 operating hours, whichever comes first. See Initial Maintenance on the maintenance schedule.</p>
	<p><b>Regular Maintenance Interval 1</b></p> <p>Appears 600 miles (1,000 km) or 100 operating hours after the Initial Maintenance is performed and maintenance minder is reset (page 33). See Regular Maintenance Interval for 100, 300, and 500 operating hours (or corresponding mileage interval, whichever comes first) in the maintenance schedule.</p>
	<p><b>Regular Maintenance Interval 2</b></p> <p>Appears 600 miles (1,000 km) or 100 operating hours after Regular Maintenance Interval 1 is performed and maintenance minder is reset (page 33). See Regular Maintenance Interval for 200, 400, and 600 operating hours (or corresponding mileage interval, whichever comes first) in the maintenance schedule.</p>

- The Initial Maintenance indicator appears only once over the life of the vehicle.
- The Regular Maintenance Interval 1 and 2 indicators will appear alternately over the life of the vehicle.
- Consider the total mileage and operating hours shown on the odometer/hour meter, along with your vehicle maintenance history, to determine the appropriate Regular Maintenance Interval to follow on the maintenance schedule.

Each item on the maintenance schedule requires some mechanical knowledge. Certain items (particularly those marked \* and \*\*) may require more technical information and tools. Consult your dealer.

\* Should be serviced by your dealer, unless you have the proper tools and service data, and is mechanically qualified. Refer to the official Honda Service Manual (page 272).

\*\* In the interest of safety, we recommend these items be serviced only by your dealer.

*Summary of Maintenance Schedule Notes:*

**NOTES:** \* Should be serviced by your dealer, unless you have the proper tools and service data, and is mechanically qualified. Refer to the official Honda Service Manual (page 272).

\*\* In the interest of safety, we recommend these items be serviced only by your dealer.

Note 1 Inspect valve clearance as needed, if engine is noisy.

Note 2 Service more frequently when operating in dusty areas, sand or snow.

Note 3 Service more frequently when operated in muddy conditions.



Note 4 Check the underbody whenever the under guard has been hit.

Service the items listed at the indicated distance (or time, if given).											
			Initial maintenance	Regular maintenance interval							
ITEMS	FREQUENCY (Whichever comes first)		1	6	12	18	24	30	36	Note	Refer to page
	x100 mi	x100 km	1.5	10	20	30	40	50	60		
			Hours	100	200	300	400	500	600		
Check engine oil and coolant			Check oil and coolant at fuel stop								140, 160
Check tires			Check inflation and condition once a month								193
Check side net and mounting hardware			•	•	•	•	•	•	•		53
Check brake fluid			Check fluid level once a month								187
Replace engine oil and oil filter			•		•		•		•		142
Check sub-transmission oil			•		•		•		•		150
Replace sub-transmission oil			Every 2 years (regardless of mileage)								152
Replace DCT oil filter			•				•				147
* Inspect valve clearance			•			•			•	1	—
* Clean spark arrester				•	•	•	•	•	•		177
Replace air cleaner element				•	•	•	•	•	•	2	165
Check air cleaner housing drain tube				•	•	•	•	•	•	3	167
Check spark plugs					•		•		•		174
* Inspect idle speed			•			•			•		—
* Check fuel lines and connections						•			•		—
Check front and rear brakes			•			•			•	3	186
Replace front and rear final gear oil			•			•			•		155, 157

Should be serviced by your dealer, unless you have the proper tools and service data, and is mechanically qualified. Refer to the official Honda Service Manual (page 272).

Note 1 Inspect valve clearance as needed, if engine is noisy.

Note 2 Service more frequently when operating in dusty areas, sand or snow.

Note 3 Service more frequently when operated in muddy conditions.



Service the items listed at the indicated distance (or time, if given).											
		Initial maintenance	Regular maintenance interval								
ITEMS	FREQUENCY	x100 mi	1	6	12	18	24	30	36	Note	Refer to page
	(Whichever comes first)	x100 km	1.5	10	20	30	40	50	60		
		Hours	20	100	200	300	400	500	600		
	Lubricate all hinges, latches, and pivots				•				•		169
**	Inspect suspension components			•	•	•	•	•	•	3	185
	Inspect drive shaft boots			•	•	•	•	•	•	3	201
	Inspect the following items: Wheels										— 200
	Accelerator pedal and brake pedal										172, 190
	Brake light switch				•				•		191
	Exhaust system										179
	Battery terminal condition										203
*	Check shift lever adjustment		•						•		—
**	Inspect the following items: Tie-rod ends										—
*	Steering gearbox and boots								•		—
*	Brake hoses and lines										—
*	SXS underbody									4	—
*	Inspect evaporative emission control system (USA - 50 states [meets California])										—
	Replace the following items:										—
*	Engine coolant										162
*	Brake fluid										—

\* Should be serviced by your dealer, unless you have the proper tools and service data, and is mechanically qualified. Refer to the official Honda Service Manual (page 272).

\*\* In the interest of safety, we recommend these items be serviced only by your dealer.

Note 3 Service more frequently when operated in muddy conditions.

Note 4 Check the underbody whenever the under guard has been hit.

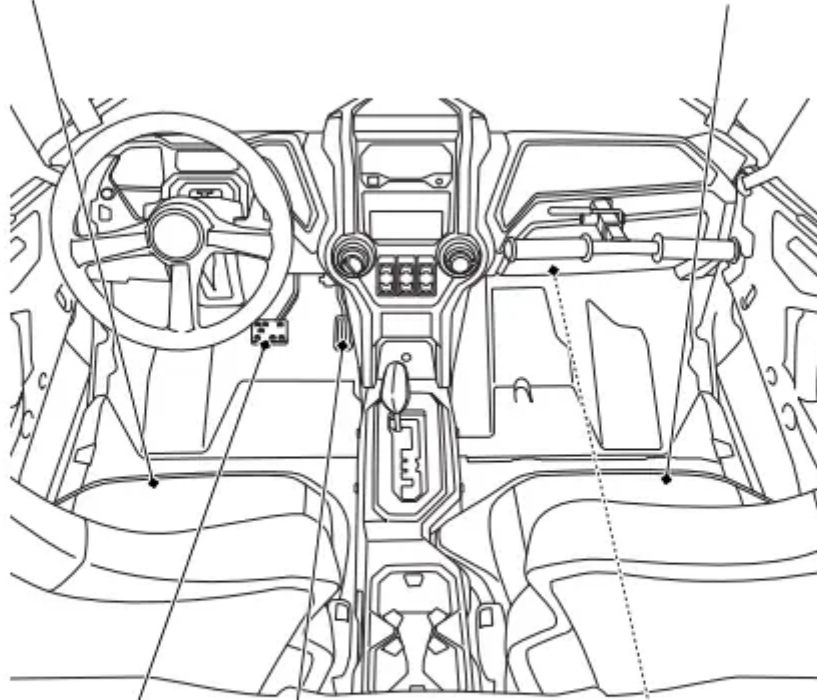
## Maintenance Component Locations

—————◆ Indicates something visible

.....◆ Indicates something concealed.

**driver seat  
(page 130)**

**passenger seat  
(page 130)**

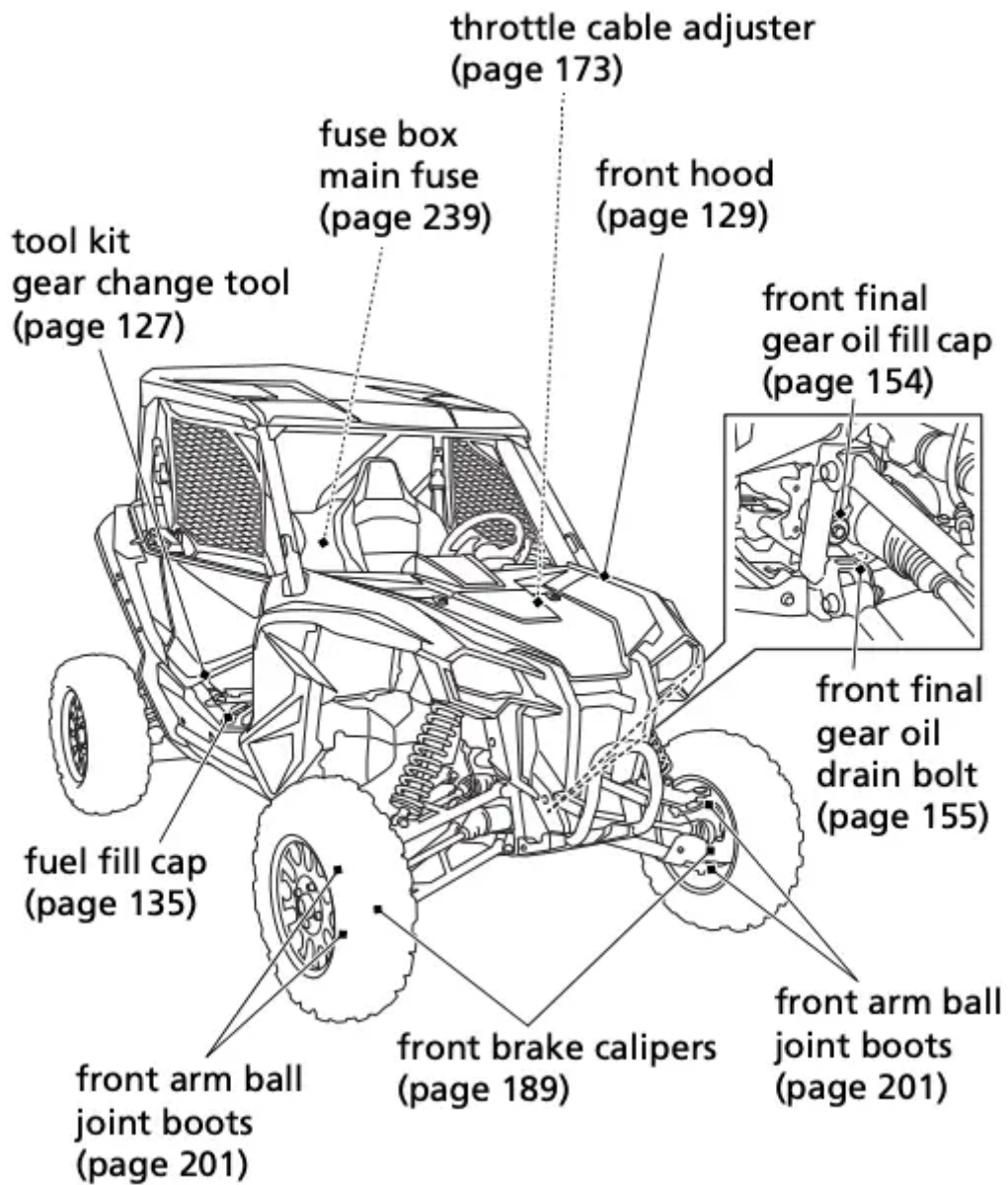


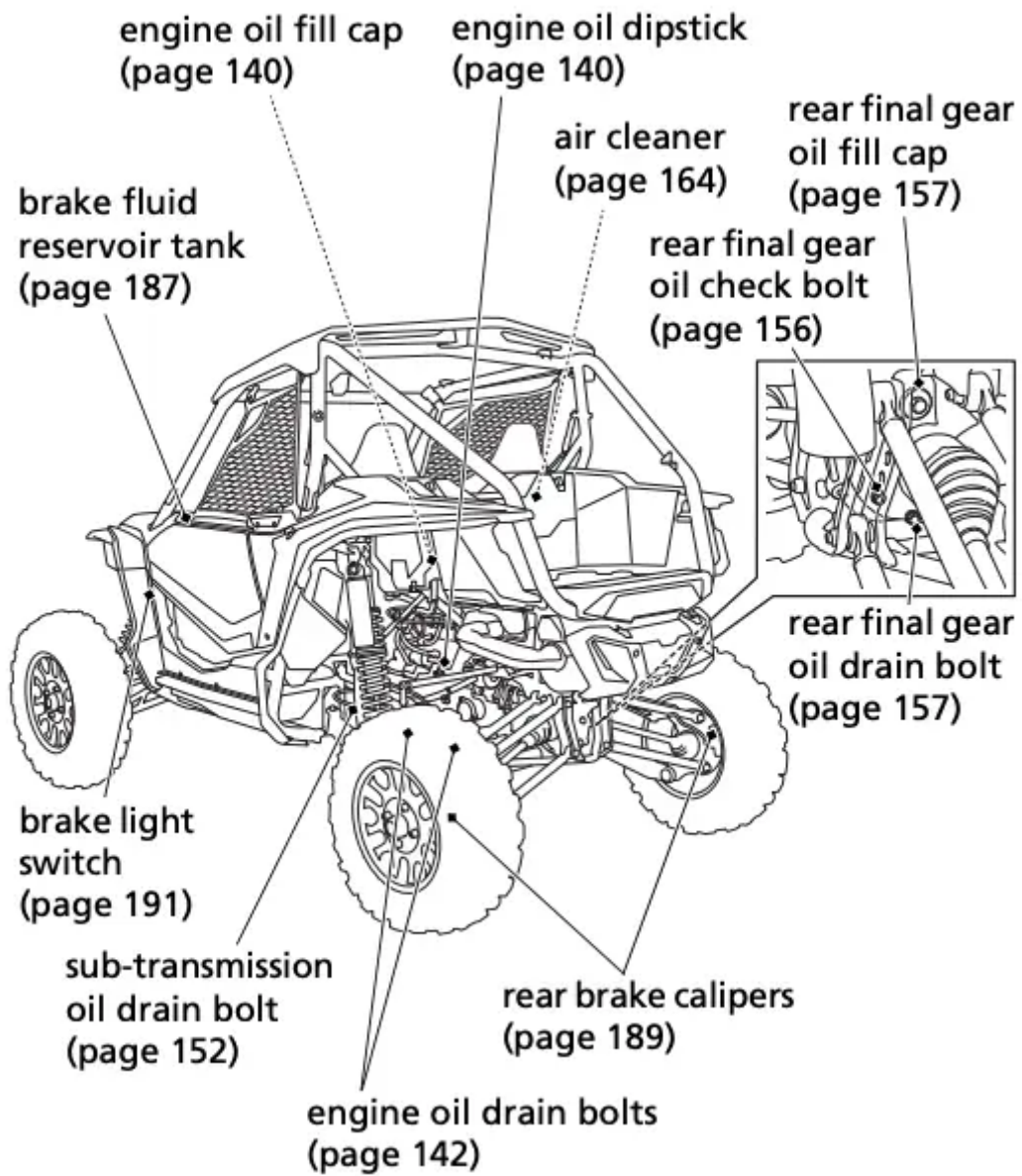
**brake pedal  
(page 190)**

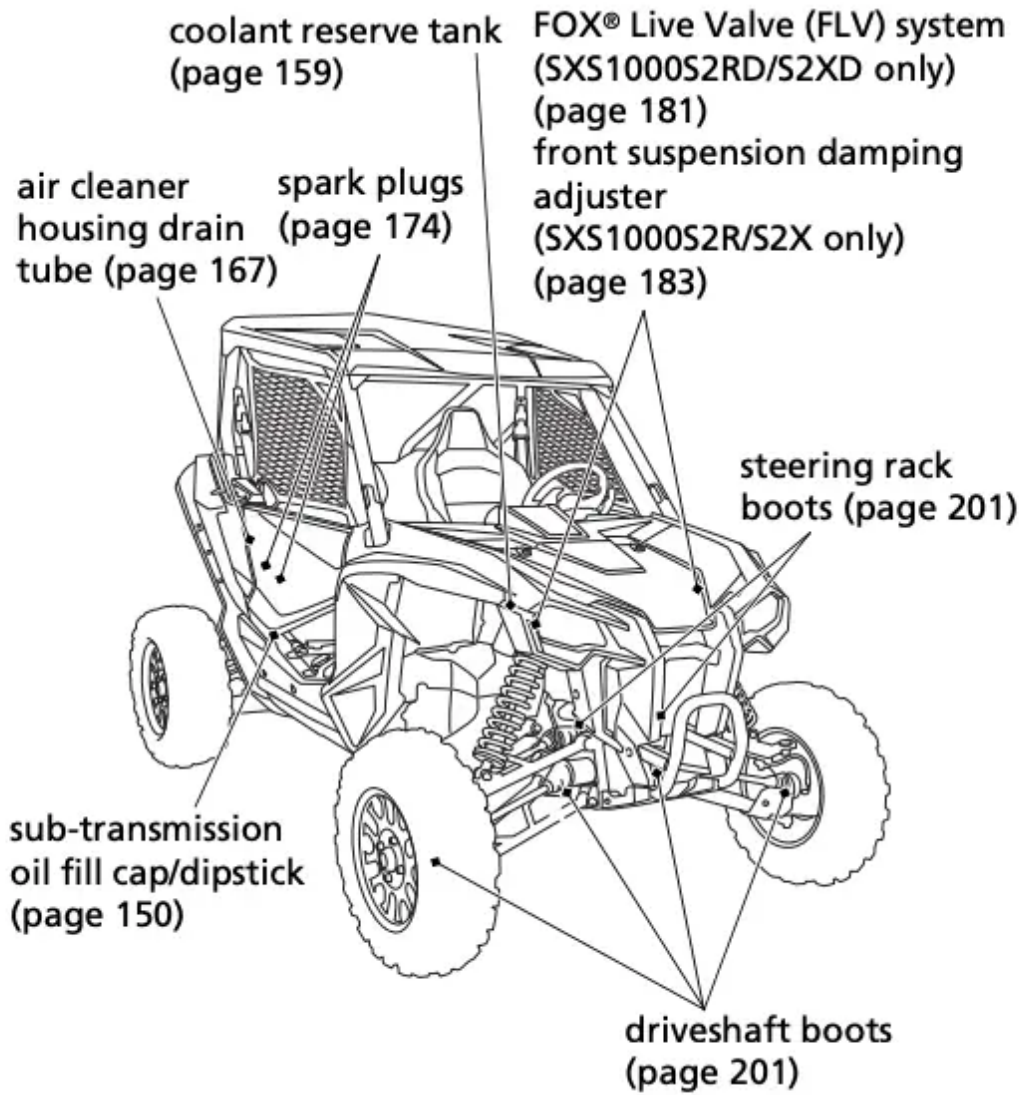
**owner's manual  
(page 128)**

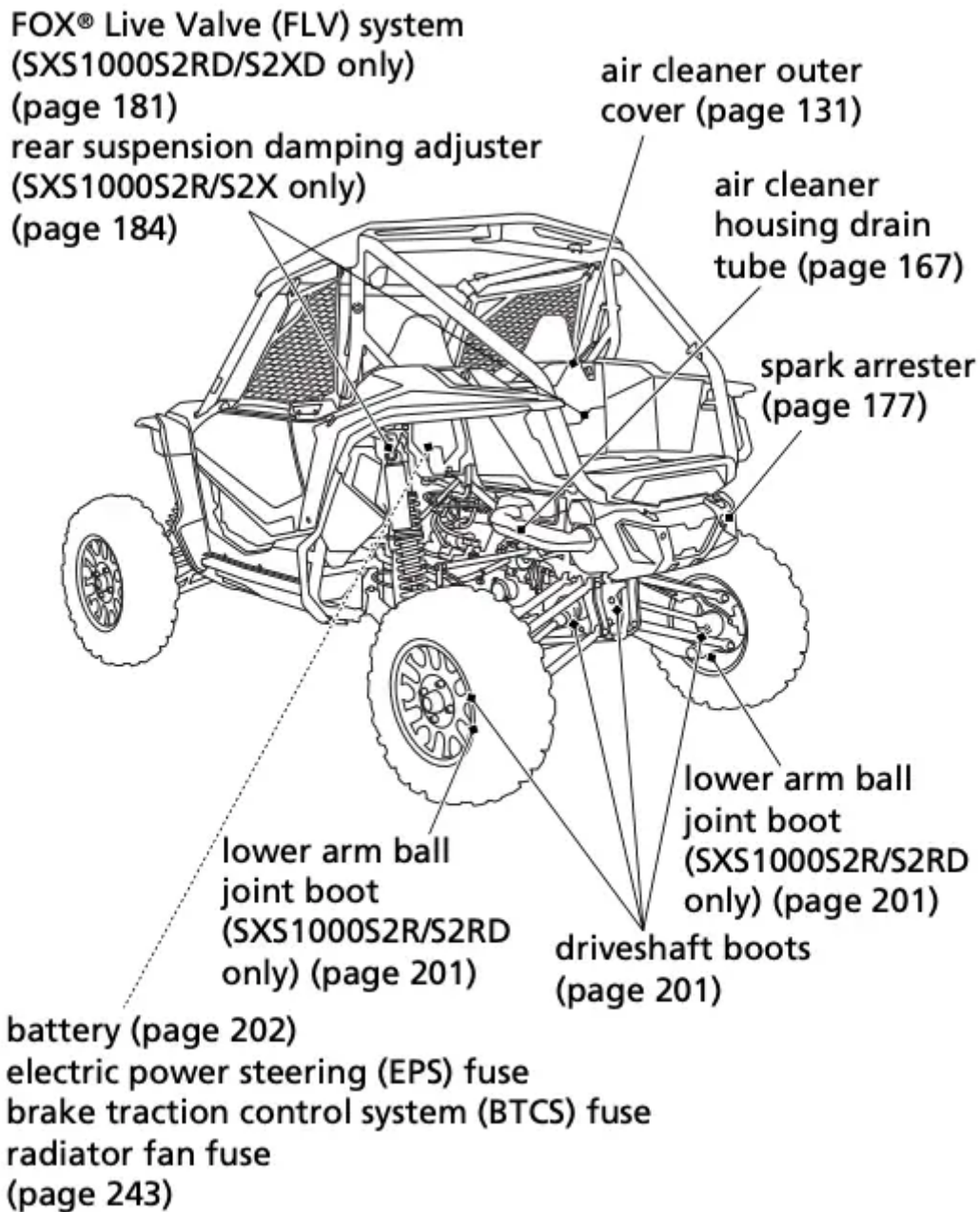
**accelerator pedal  
(page 172)**











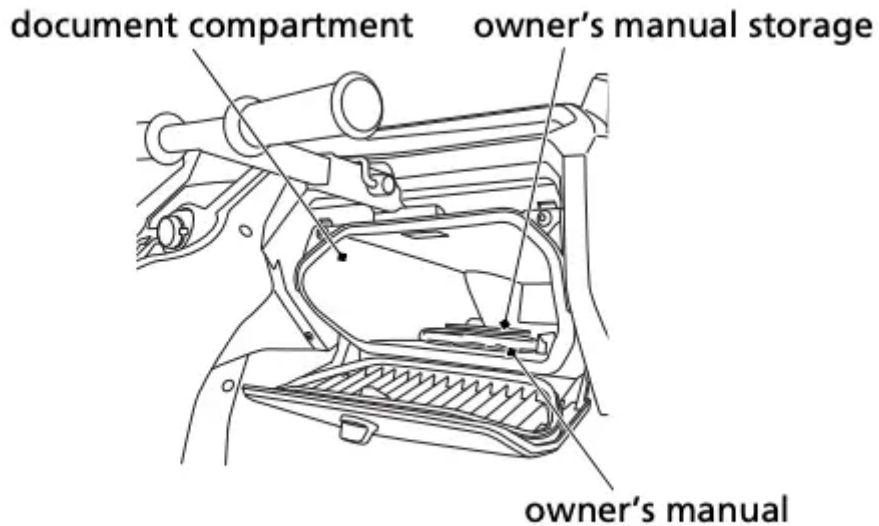
## Owner's Manual Storage

Your Honda SXS provides storage for the owner's manual so you'll have it with you for easy reference. Store your owner's manual in the owner's manual storage on the inside of the document compartment.

The owner's manual should be stored in the plastic bag.

Be careful not to flood this area when washing your Honda SXS.

## RIGHT SIDE



Refer to Safety Precautions on page 115.

The front hood must be removed to add coolant and adjust the accelerator pedal freeplay.

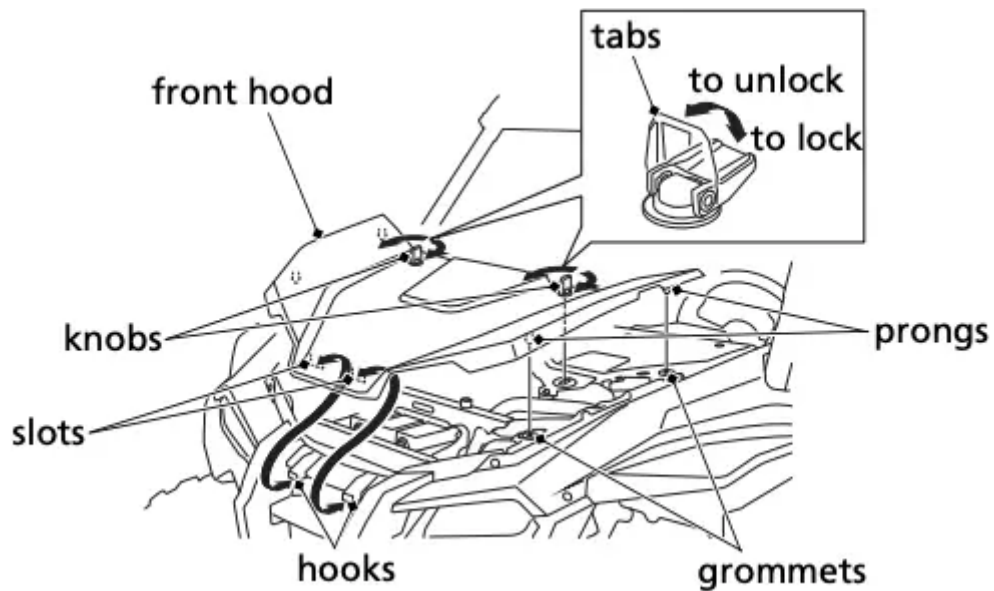
#### Removal

1. Lift the tabs on knobs up, turn the knobs 1/4 clockwise or 1/4 counterclockwise.
2. Remove the prongs from the grommets.
3. Remove the front hood.

#### Installation

1. Insert the slots into the hooks.
2. Insert the prongs into the grommets.
3. Turn the knobs 1/4 counterclockwise or 1/4 clockwise, push the tabs down to lock the knobs.

Make sure that the hood is securely installed before driving. While driving, if the prongs of the front hood pop up from the grommets, stop the vehicle at a safe place and insert the prongs into the grommets securely.



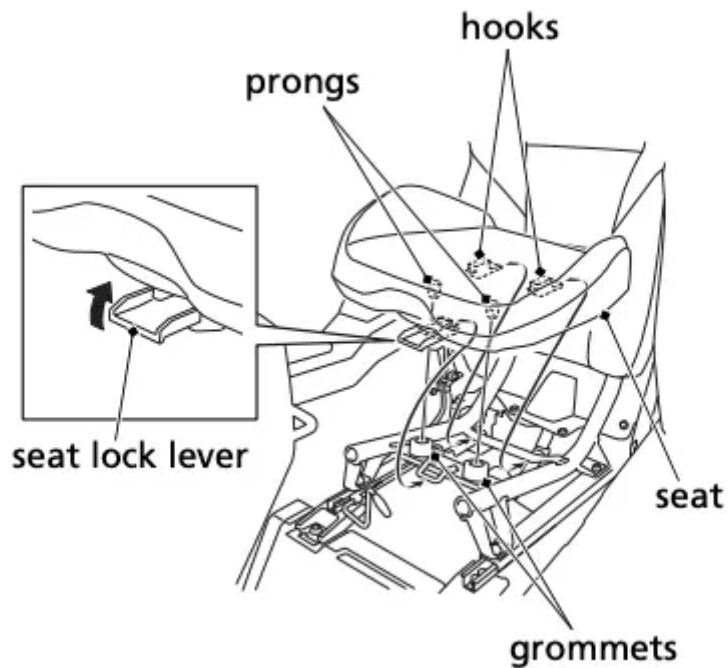
## Seat Removal

Refer to Safety Precautions on page 115.

The driver seat and passenger seat can be removed in the same manner.

### Removal

1. Open the door (page 51).
2. Pull the seat lock lever at the front center of the seat.
3. Pull the front of the seat upward then slide it slightly forward.



### Installation

1. Insert the hooks into the frame and the prongs into the grommets of the seat.

2. Press down on the seat until it locks.

Make sure that the seat is locked securely in position by pulling it up lightly.

Since the bottom shape of the driver seat and the passenger seat are different, install them in their correct position.

## Air Cleaner Outer Cover Removal

Refer to Safety Precautions on page 115.

The air cleaner outer cover must be removed to replace the air cleaner and to add the engine oil.

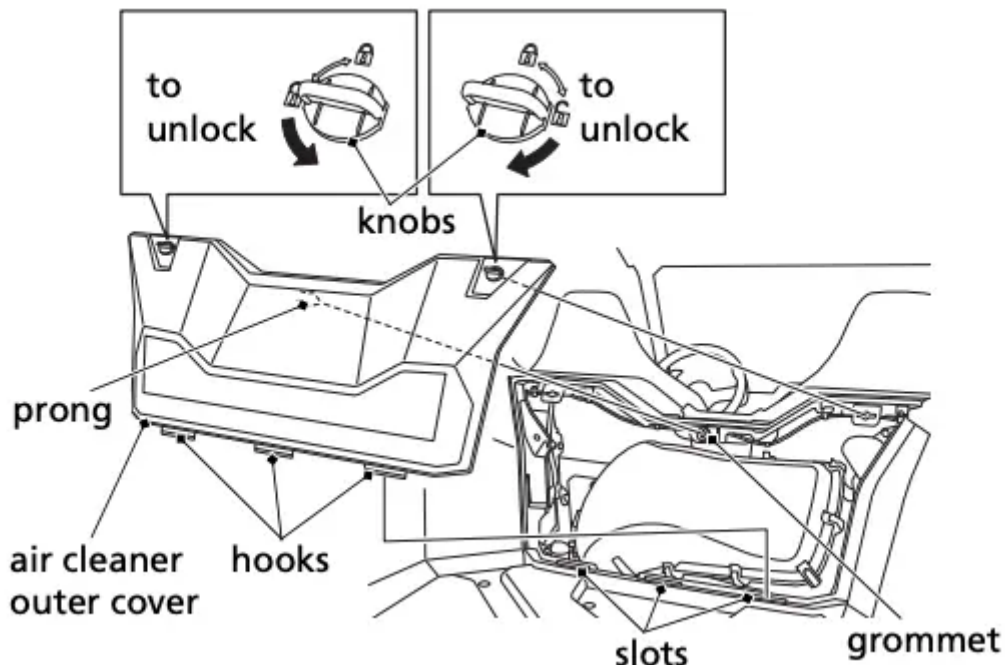
### Removal

1. Turn the knobs 1/4 clockwise or 1/4 counterclockwise to the unlock positions.
2. Remove the prong from the grommet.
3. Remove the air cleaner outer cover upward.

### Installation

1. Insert the hooks into the slots.
2. Insert the prong into the grommet.
3. Turn the knobs 1/4 counterclockwise or 1/4 clockwise to the lock position.

## IN FRONT OF CARGO BED

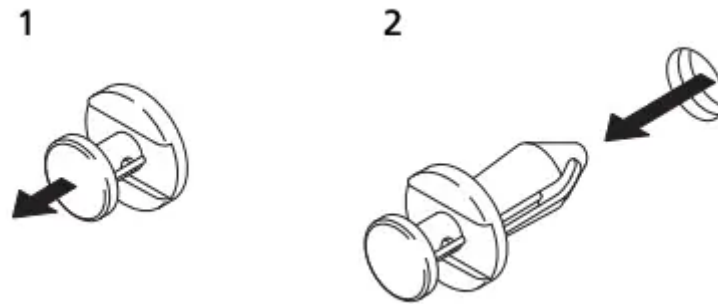


## Clip Removal

*Clip removal and installation:*

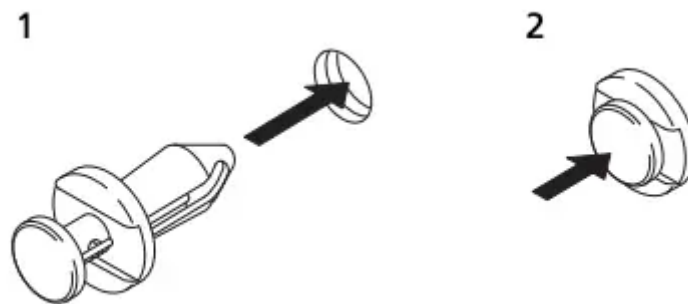
## Removal

1. Pull up the center pin to release the lock.
2. Pull out the clip of the hole.



## Installation

1. Insert the clip into the hole.
2. Press down the center pin securely to lock the clip.



## **Taking Care of the Unexpected**

### **General Guidelines**

Keeping your Honda SXS well-maintained is the best way to reduce the possibility of having a problem while driving. However, problems can arise even with well-maintained machines.

Remember to take along your owner's manual, the tool kit that came with your Honda SXS, and any other items (such as tire repair supplies and additional tools) that might help you solve a problem on your own.

If something goes wrong during a drive, the first thing to do is stop as soon as you safely can. Do not continue driving if you have a flat tire, or you hear an unusual noise, or your Honda SXS just doesn't feel right. If you continue driving, you could cause more damage and endanger your own safety.

After stopping, take time to assess the situation. Carefully inspect your Honda SXS to identify the problem, then consider your options before you decide what to do.

If a problem is relatively minor and you have the tools, supplies, and skills to make a permanent repair, you may be able to fix it on the trail and continue driving.

When a problem is more serious — or you don't have the tools, supplies, experience, or time to deal with it — you need to choose the safest way to get yourself and your Honda SXS back home.

Should you ever have a problem while driving, please follow these guidelines:

- Always put personal safety first.
- Take time to assess the situation and your options before deciding what to do.
- If the problem is relatively minor and you have the tools, supplies, and skills to make a temporary repair, be sure to have permanent repairs made as soon as possible.
- Do not continue driving if you are hurt or your Honda SXS is not in safe driving condition.

Additional recommendations for specific problems follow.

## **If Your Engine Quits or Won't Start**

Proper operation and maintenance can prevent starting and engine performance problems. In many cases, the cause of the problem may be a simple operational oversight.

If you have a problem starting the engine — or experience poor engine performance — the following information may help you. If you can't correct the problem, see your dealer.

If your SXS won't start, listen as you turn the ignition key to the START **(II)** position. If you don't hear the starter motor turning, refer to the Starter motor doesn't operate symptom. If you can hear the starter motor working normally, refer to the Starter motor works, but the engine won't start symptom.

**SYMPTOM: Starter motor doesn't operate.**

POSSIBLE CAUSE	WHAT TO DO
transmission not in park (P) or neutral (N) position	Shift into park (P) or neutral (N) position or press on the brake pedal.
blown fuse	Replace with a new fuse of the same rating (page 239).
battery lead loose	Tighten the battery lead.
low battery	Charge the battery (page 206). If charging doesn't help, see your dealer.
faulty starter motor	If all possible causes are negative, the starter motor may be faulty. See your dealer.

**SYMPTOM: Starter motor works, but the engine won't start.**

POSSIBLE CAUSE	WHAT TO DO
out of fuel	Fill the fuel tank.
flooded engine	See starting the engine (page 87)
loose or unconnected spark plug caps	Install the spark plug caps securely. If the engine still won't start, see your dealer.
loose battery cables	Tighten the battery terminal bolts
weak battery	Charge the battery (page 206). If charging doesn't help, see your dealer.

**SYMPTOM: Engine starts, but runs poorly.**

POSSIBLE CAUSE	WHAT TO DO
<b>high coolant temperature</b>	Check the high coolant temperature indicator. Refer to If the High Coolant Temperature Indicator Lights, page 236.
<b>runs erratically, misfires</b>	May damage catalytic converter. See your dealer.
<b>blubbers (rich fuel mixture)</b>	See your dealer
<b>sooty exhaust (rich fuel mixture)</b>	See your dealer
<b>detonates or pings under load</b>	If applicable, switch to the recommended octane gasoline (page 134) or change your brand of gasoline. If the problem persists, see your dealer
<b>afterfires (backfires)</b>	May damage catalytic converter. See your dealer.
<b>pre-ignition (runs on after ignition switched OFF)</b>	May damage catalytic converter. See your dealer.

**SYMPTOM: Engine starts, but runs poorly or dies when hot.**

POSSIBLE CAUSE	WHAT TO DO
<b>poor or inadequate fuel flow due to clogged fuel filter</b>	See your dealer. (ensure clean fuel supply)

**If the Transmission Is Not Functioning Properly**

If the gear position indicator is blinking, perform the following:

1. If you are driving your Honda SXS, stop at a safe place.
2. Shift the shift select lever to the park (P) position.
3. Check the pattern displayed on the gear position indicator, and then perform the following.

“P”, “R”, “N”, “H” or “L” is blinking:

You can drive in either AT mode or MT mode. See your dealer as soon as possible.

“1”, “2”, “3”, “4”, “5” or “6” is blinking:

At high-range (H) or low-range (L), you can drive only in the gear position that is blinking. You can also drive in reverse (R). To avoid damaging the clutch, we recommend that you drive in lowrange (L). The engine brake may not work, so please drive slowly. See your dealer as soon as possible.



“-” is blinking:

Check for SXS failure again. Perform the following procedure.

1. Check that the shift select lever is at the park (P) position.
2. Turn the ignition switch to the OFF (○) position.
3. Turn the ignition switch to the START (II) position and then start the engine.
4. Check the gear position indicator display, and then perform the following.

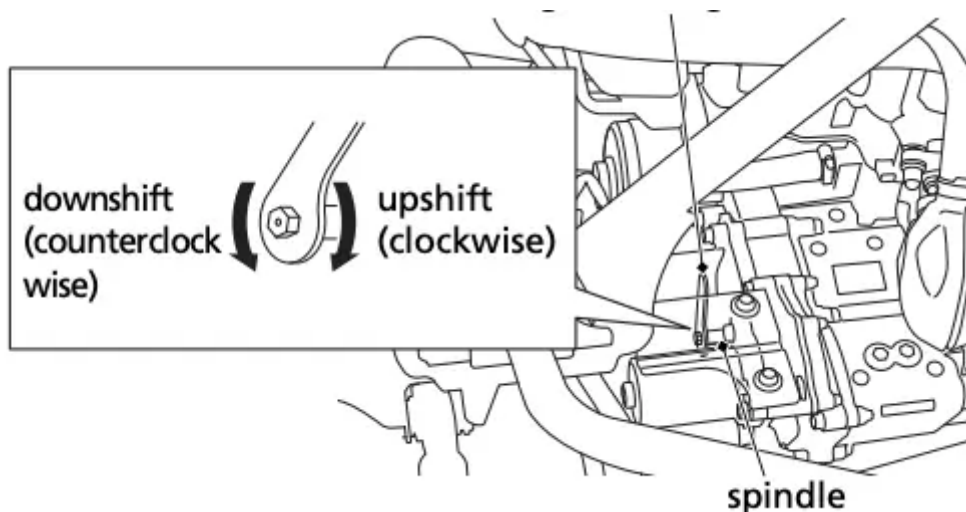
If “-” continues to blink:

Change the gear position by using the gear change tool, and tighten the emergency valve. Perform the following procedure.

1. Turn the ignition switch to the OFF (○) position to stop the engine.
2. Turn the ignition switch to the ON (I) position. Do not turn it to the START (II) position.
3. Take out the gear change tool from the storage compartment (page 127).
4. Put the gear change tool on the spindle which is located on the crankcase.
5. To downshift, turn the gear change tool counterclockwise. To upshift, turn the gear change tool clockwise. When you upshift one position from the lowest downshift position, “E” blinks in the gear position indicator.

If you cannot shift properly, shift the shift select lever to the highrange (H) position, and while pushing the gear change tool in the direction you want to rotate, rock the vehicle back and forth. When the transmission shifts, return the shift select lever to the park (P) position.

## RIGHT REAR



6. Return the gear change tool to the storage compartment.
7. Check that “E” is blinking. Next, tighten the emergency valve. Proceed to “E” is blinking.

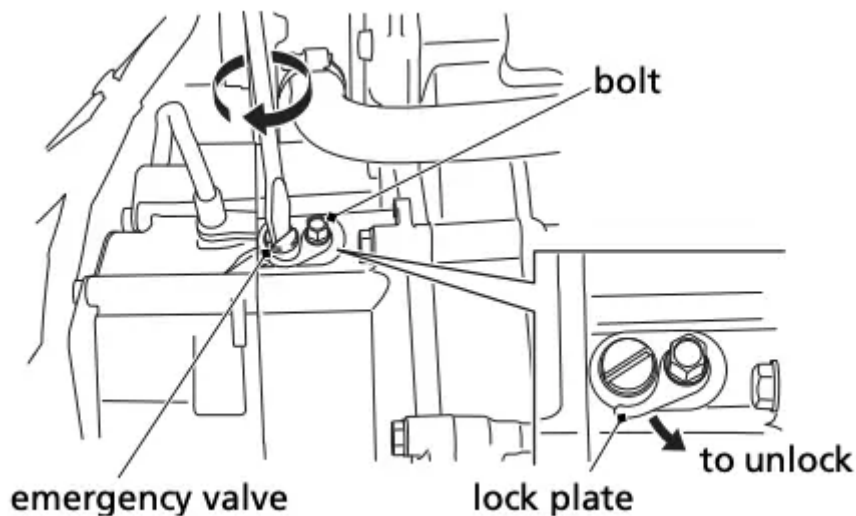
If “–” is not displayed in the gear position indicator and you change the gear position by using the gear change tool, the DCT system will automatically stop. To reactivate the system, turn the ignition switch to the OFF (w) position, and then turn it back to the ON (I) position.

“E” is blinking:

Tighten the emergency valve. Perform the following procedure.

1. Turn the ignition switch to the OFF (O) position to stop the engine.
2. Loosen the bolt and release the lock plate, and turn the emergency valve all the way in.

## RIGHT REAR



3. Return the lock plate and tighten the bolt securely.
  4. Turn the ignition switch to the START (II) position to start the engine.
  5. Check that the gear position (“1”, “2”, “3”, “4”, “5” or “6”) is blinking.
  6. At high-range (H) or low-range (L), you can drive only in the gear position that is blinking. You can also drive in reverse (R). To avoid damaging the clutch, we recommend that you drive in low-range (L). The engine brake may not work, so please drive slowly. See your dealer as soon as possible.
- When in the reverse (R), high-range (H), or low-range (L) position, low oil temperatures will cause the vehicle to move slowly. Shift into the park (P) position and warm up the engine.
  - When restarting the engine, although “E” stops blinking, the gear position (“1”, “2”, “3”, “4”, “5” or “6”) blinks, and the low oil pressure indicator comes on, you can drive the vehicle.

## If You Have a Flat Tire

How you handle a flat tire on the trail depends on how serious the tire damage is, and what tools and supplies you have with you.

If you have a slow leak or a minor puncture, use the plug method to make a temporary repair. (The plug method is applied from the outside of the tire and is the same as that for conventional tubeless tires.)

A plug-type repair kit, available at most auto parts stores or service stations, provides a plug, an installation tool, tire cement, and an instruction sheet. Follow the instructions provided with the repair kit to make a temporary repair.

As soon as possible, have the tire permanently repaired by your dealer. Any tire that cannot be repaired should be replaced.

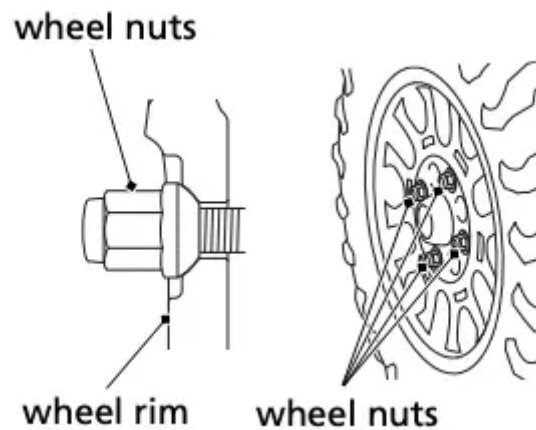
Whenever the Honda SXS is to be operated far from service facilities or available transportation, we recommend that you carry a tire pump and a repair kit with the vehicle.

If the leak is more serious, or a temporary repair doesn't hold, the tire must be replaced. The tire will also need to be replaced if it is damaged (page 195). Replacing a tire involves removing and reinstalling the wheel (page 234).

If you are unable to repair a flat tire on the trail, you will need to send for help. We strongly recommend that you do not try to drive with a flat tire. The Honda SXS will be hard to handle, and if the tire comes off the rim, it may lock up the wheel and cause you to crash or overturn.

### **Emergency Wheel Removal/Installation**

Refer to Safety Precautions on page 115.



#### Removal

1. Park your Honda SXS on a firm, level surface.
2. Loosen — but do not remove — the wheel nuts.
3. Raise the front (or rear) wheels off the ground (page 133).
4. Remove the wheel nuts.
5. Remove the wheel.

- Avoid getting grease, oil, or dirt on the disc or pad surfaces when removing and installing each wheel. Any contamination can cause poor brake performance or rapid pad wear after reassembly.

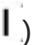
### Installation

1. Thoroughly clean hub and wheel.
2. Position the wheel.
3. Position the wheel nuts so that the tapered sides face the wheel rim.
4. Hand-tighten the wheel nuts on the wheel, then lower the Honda SXS to the ground before tightening the nuts in a crisscross (rather than circular) pattern to the specified torque:

### **80 lbf-ft (108 N·m, 11 kgf·m)**

If a torque wrench was not used for installation, see your dealer as soon as possible to verify proper assembly. Improper assembly may lead to loss of control and braking capability.

### **If the High Coolant Temperature Indicator Lights**

Normally, the high coolant temperature indicator will only light momentarily when you turn the ignition ON (  ). Occasionally, it may flicker at or near idling speed.

High coolant temperature may be caused by restriction of air flow to the radiator (such as mud caked on the radiator), extended idling, an oil leak, a coolant leak, a low oil level, a low coolant level, or extended operation under adverse conditions.

If the all sections of the coolant temperature gauge including segment H and high coolant temperature indicator are on while you're driving, don't ignore it. Pull safely to a stop. Stop the engine as soon as it's safe to do so, and let it cool.

### **NOTICE**

Continuing to drive with high coolant temperature or an overheated engine can cause serious engine damage.

- A steaming engine indicates a coolant leak. Shut the engine off and wait until the steaming stops. Look for a leak, but don't touch the engine or radiator system. Let everything cool off first.
- Check for any restriction of air flow to the radiator.
- If there's no obvious problem, leave the engine on so the fan and coolant circulating system can continue working. Monitor the coolant temperature gauge and high coolant temperature indicator. The coolant temperature gauge and indicator may return to normal after a brief stop with no load on the engine.
- Check the radiator fan.

If the fan is not working, turn the engine off. Remove the battery cover (page 204) and check the radiator fan fuse. If the fuse is blown, replace it with the proper (same rating) spare fuse. Start the engine. If the all sections of the coolant temperature gauge including segment H and high coolant temperature indicator stay on, turn the engine off.

If the radiator fan is working, visually check the coolant level in the reserve tank, located under the front hood. It isn't necessary to touch the radiator system.

- If the reserve tank is low or empty, don't drive without adding coolant (page 160). After adding coolant, turn the engine on and check the coolant temperature gauge and high coolant temperature indicator. If the indicator doesn't turn off, do not drive. The engine needs repair. Transport your Honda SXS to a dealer (page 216). If the temperature drops to normal, check the coolant level. If it has gone down, add more coolant.
- Check for an oil leak.
- Check the oil level. If necessary, add the recommended oil page 138) to the upper level mark. If you must leave your Honda SXS to get oil, secure it as much as possible.
- Start the engine, and check that the coolant temperature gauge and high coolant temperature indicator are normal.

If the coolant temperature gauge and indicator return to normal, resume driving. If there is a leak, do not drive the SXS until the leak is repaired by your dealer.

If there's a mild coolant leak, you can drive for a while, carefully watching the coolant temperature gauge and indicator. Be prepared to stop and add more coolant or water. If the leak is bad, transport your Honda SXS to your dealer (page 216).

### **If the Clutch Temperature Indicator Flashes**

The clutch temperature indicator flashes if the clutch temperature becomes unusually high. If the indicator flashes, release the accelerator pedal as soon as it is safe to and apply the brakes.

Shift the transmission to neutral (N) or park (P) and allow the engine to idle until the indicator stops flashing. Once the indicator stops flashing, the vehicle is safe to operate. If the clutch temperature indicator continues to flash, have your vehicle inspected by your dealer.

The clutch temperature indicator may flash under certain conditions, such as slow speed rock crawling, holding the vehicle stationary on an incline with the accelerator pedal, when the vehicle is stuck and the wheels are not turning, or attempting to pull an immovable object.

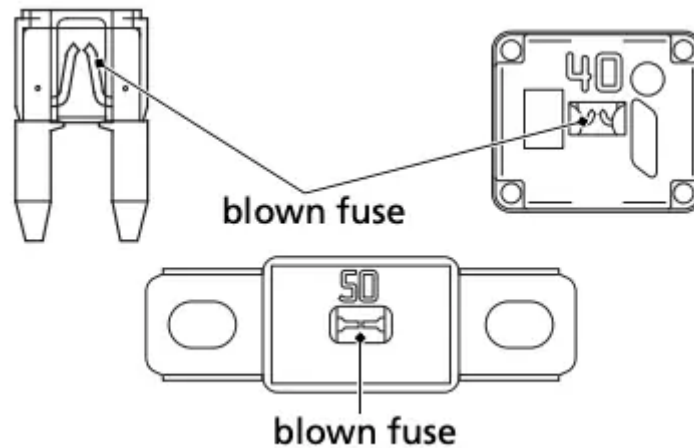
### **NOTICE**

Continuing to apply the accelerator pedal with the clutch temperature indicator flashing can damage the clutch.

## If a Fuse Blows

All of the electrical circuits on your Honda SXS have fuses to protect them from damage caused by excess current flow (short circuit or overload).

If something electrical on your Honda SXS stops working, the first thing you should check for is a blown fuse.



Check all the fuses before looking elsewhere for another possible cause of the problem. Replace any blown fuses and check component operation.

The main fuse and circuit fuses are located in the fuse box under the fuse box lid. The electric power steering (EPS) fuse, brake traction control system (BTCS) fuse and radiator fan fuse are located in the battery cover.

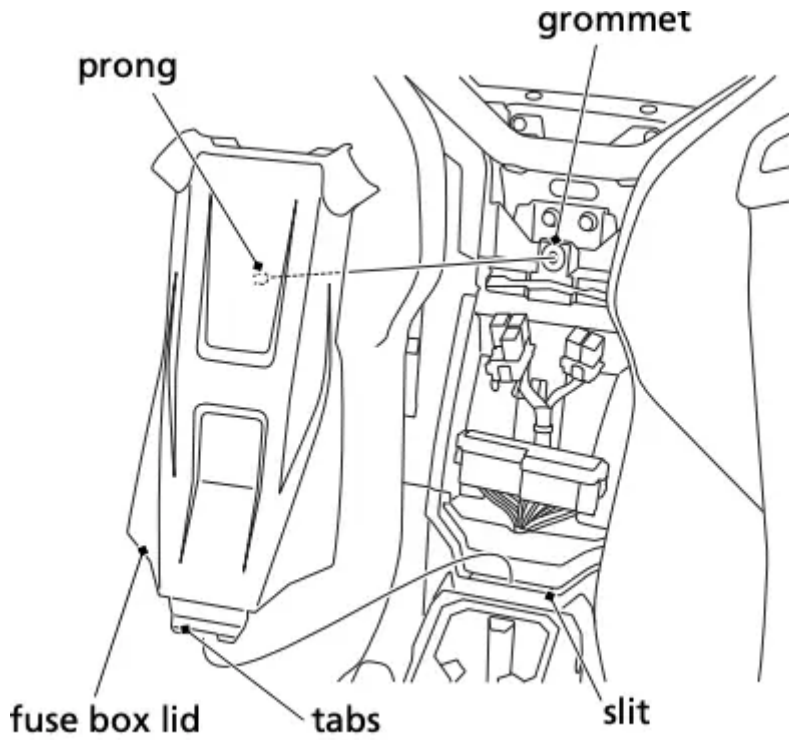
### Recommended Fuses

<b>main fuse</b>	<b>50 A</b>
<b>circuit fuses</b>	<b>30 A x 2, 15 A x 1, 10 A x 7</b>
<b>electric power steering (EPS) fuse</b>	<b>40 A</b>
<b>brake traction control (BTCS) fuse</b>	<b>40 A</b>
<b>radiator fan fuse</b>	<b>40 A</b>

### Main & Circuit Fuses

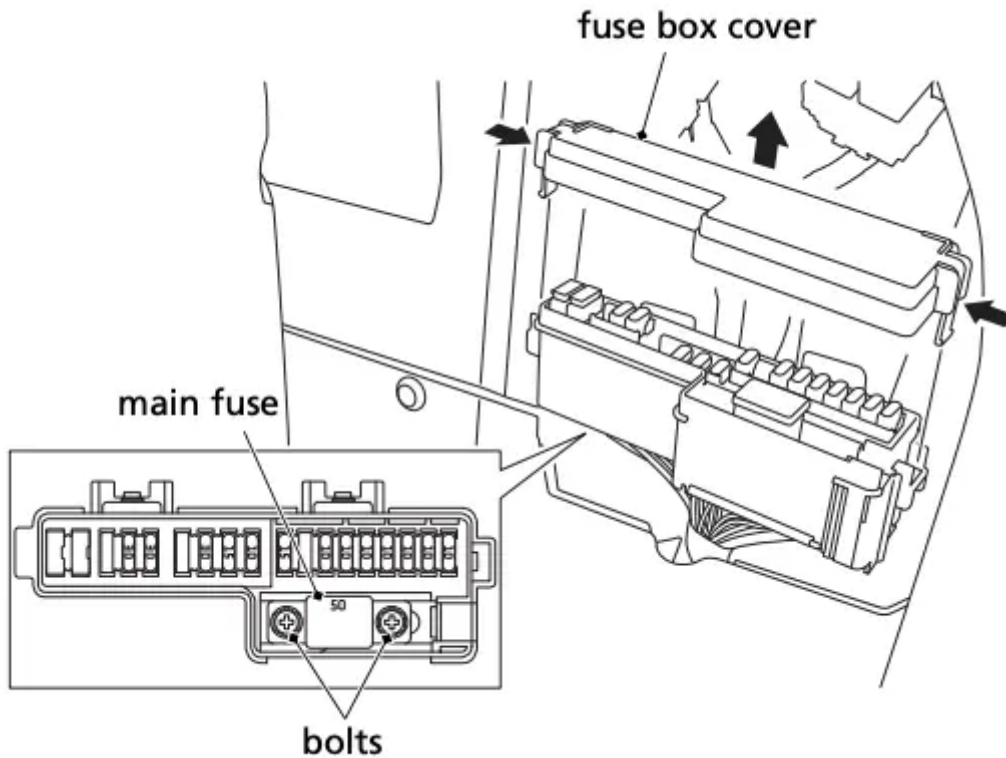
1. To prevent an accidental short circuit, turn the ignition switch OFF (O) before checking or replacing fuses.
2. Pull the top of fuse box lid out to release its prong from the grommet.
3. Pivot the fuse box lid down. Be careful not to damage the seat surfaces while removing the fuse box lid.
4. Remove the fuse box lid by releasing its tabs from the slit.

**BETWEEN DRIVER SEAT AND PASSENGER SEAT**



*Main Fuse Access*

5. Remove the fuse box cover.
6. To access the main fuse, remove the bolts, and then pull the main fuse out. If the main fuse is blown, see your dealer for this service.



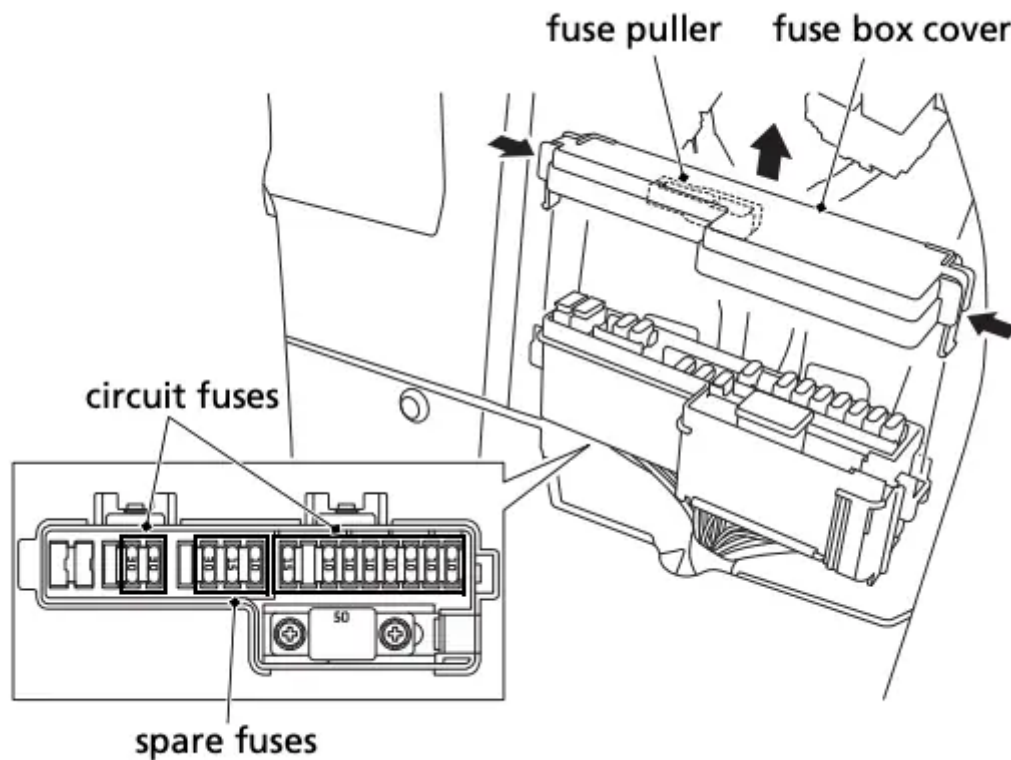
### *Circuit Fuse Access*

7. To check or replace a circuit fuse, pull the fuses out one by one with the fuse puller located behind the fuse box cover. If the fuse is blown, replace it with a spare fuse of the same rating.

If you do not have a replacement fuse with the proper rating for the circuit, install one with a lower rating.

**NOTICE** Replacing a fuse with one that has a higher rating greatly increases the chance of damage to the electrical system.

8. Install the removed parts in reverse order of removal.



### Other Fuses

1. Turn the ignition switch to OFF (w) before checking the fuse.
2. Remove the battery cover (page 204).

### *Electric Power Steering (EPS) Fuse Access*

3. To access the EPS fuse, remove the fuse cover. If the EPS fuse is blown, see your dealer for this service.

### *Brake Traction Control System (BTCS) Fuse Access*

4. To access the BTCS fuse, remove the fuse cover. If the BTCS fuse is blown, see your dealer for this service.

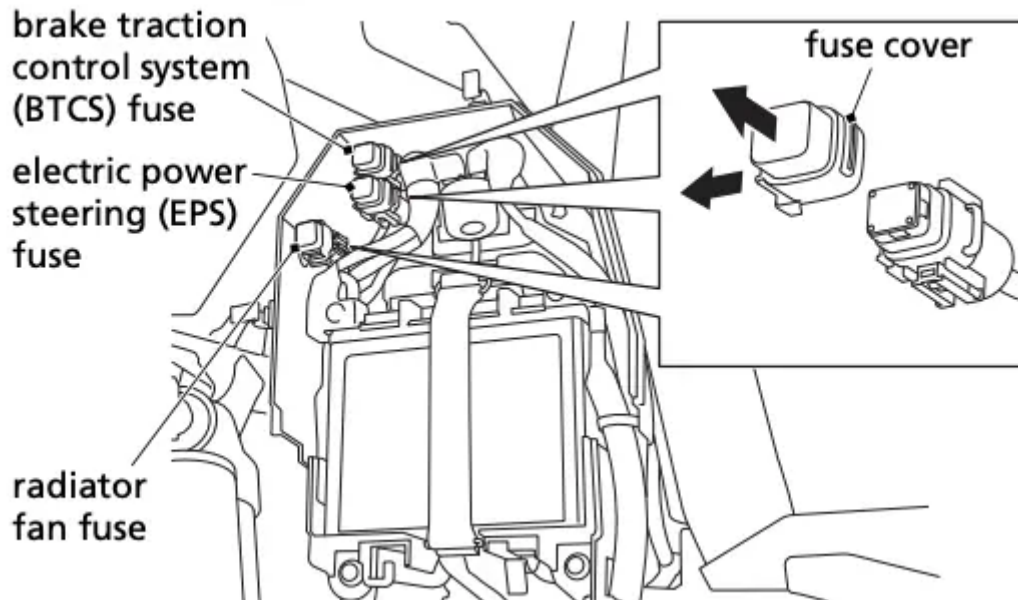
### *Radiator Fan Fuse Access*

5. To access the radiator fan fuse, remove the fuse cover. If the radiator fan fuse is blown, see your dealer for this service.

6. Install the fuse covers.

7. Install the battery cover.

#### UNDER LEFT REAR FENDER



If you do not have a spare fuse and you cannot drive the Honda SXS without fixing the problem, take a fuse of the same rating or a lower rating from one of the other circuits that you can do without temporarily.

If you replace a blown fuse with a spare fuse that has a lower rating, replace the fuse with the correct rating as soon as you can. Also remember to replace any spare fuses that were installed.

If the replacement fuse of the same rating burns out in a short time, there is probably a serious electrical problem on your Honda SXS. Leave the blown fuse in that circuit and have your Honda SXS checked by your dealer.

#### If You Crash

Personal safety is your first priority after a crash. If you or anyone else has been injured, take time to assess the severity of the injuries and whether it is safe to continue driving. If you cannot drive safely, send someone for help. Do not drive if you will risk further injury.

If you decide that you are capable of driving your SXS safely, first evaluate the condition of your SXS. If the engine is still running, turn it off and look it over carefully; inspect it for fluid leaks, check the tightness of critical nuts and bolts securing such parts as the steering wheel, control levers, brakes, and wheels.

If there is minor damage, or you are unsure about possible damage but decide to try driving the Honda SXS back to your base, drive slowly and cautiously.

Sometimes, crash damage is hidden or not immediately apparent. When you get home, thoroughly check your Honda SXS and correct any problems you find. Also, be sure to have your dealer check the frame suspension, seat belts, and occupant protective structure after any serious crash.

### **If You Lose Your Key**

Be sure to record your key number. Store the spare key and recorded key number in a safe location. You'll need this number to have a duplicate key made.

If you lose your key and aren't carrying a duplicate, either get your spare or have one made. If you don't know your key number, call the dealer where you purchased your Honda SXS. They may have it listed in their records. If they don't, transport your Honda SXS to them or the nearest dealer. The dealer will probably have to remove the ignition switch assembly to find the key number so they can make a key for you.



### **If the Battery Is Low**

If the battery is low, the starter motor doesn't operate or works poorly, and you can't start the engine. Jump starting your Honda SXS should be avoided. Instead, the battery should be removed and recharged (page 206). If you can't charge the battery or it appears unable to hold a charge, contact your dealer.

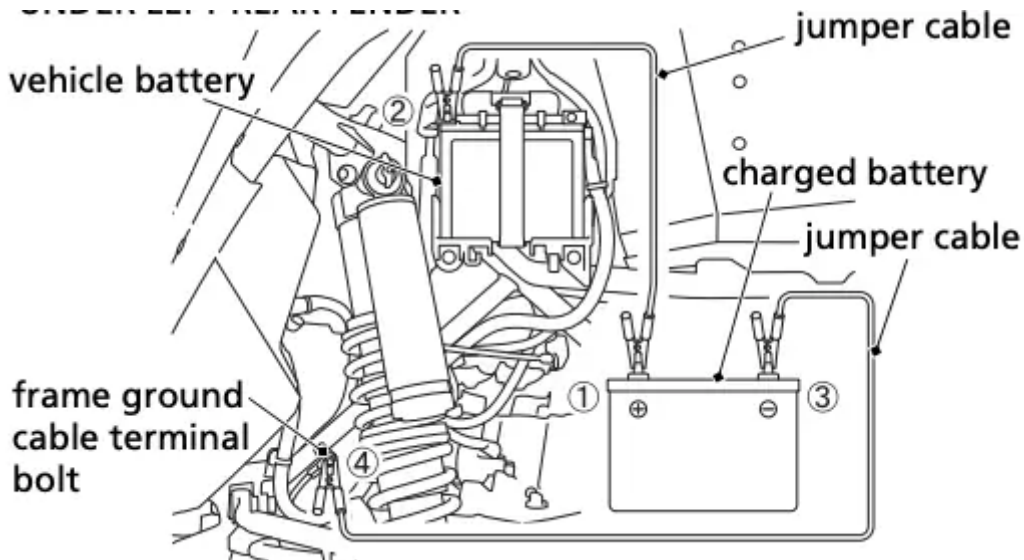
**WARNING** The battery gives off explosive hydrogen gas during normal operation. A spark or flame can cause the battery to explode with enough force to kill or seriously hurt you. Wear protective clothing and a face shield, or have a skilled mechanic do the battery maintenance.

**WARNING:** Battery posts, terminals and related accessories contain lead and lead compounds. Wash your hands after handling. However, when there is no option other than jump starting, follow the instructions given below.

**NOTICE** If a battery sits in extreme cold, the electrolyte inside can freeze. Attempting to jump start with a frozen battery can cause it to rupture. Use a battery that is the same as the one in the vehicle or an equivalent.

1. To prevent an accidental short circuit, turn the ignition switch OFF(O)
2. Remove the battery cover (page 204).
3. Using a fully charged 12-volt battery, connect the positive (+) side of the jumper cable to the charged battery, and connect the positive (+) side on the other end of the jumper cable to the positive (+) terminal of vehicle battery.
4. Connect the negative (-) side of the jumper cable to the charged battery, and connect the negative (-) side on the other end of the jumper cable to the frame ground cable terminal bolt.
5. After starting the engine, remove the negative (-) sides of the jumper cable from the vehicle and the battery. Then remove the positive (+) sides of the jumper cable from the vehicle battery and the charged battery.
6. Install the battery cover.
  - Do not let the positive (+) side of the jumper cable touch on the negative (-) terminal.
  - If the jumper cable is connected to the battery with the polarity reversed, the battery can explode or the electrical system will be seriously damaged.

#### UNDER LEFT REAR FENDER



## If a Component Fails

The brake lines, control cables, and other components can be damaged as you drive in dense brush or over rocky terrain. Making a trailside repair depends on how serious the damage is and what tools and supplies you have with you.

- If any component in the brake system is damaged, you may have reduced or limited stopping power. If you decide to continue driving back to your base, do so cautiously and at a very low speed.
- If you damage the accelerator cable or other critical component, your Honda SXS may be unsafe to drive. Carefully assess the damage and make any repairs that you can. But if there is any doubt, it's best to be conservative and safe.

## If the Vehicle Speed Does Not Exceed 15 mph (24 km/h)

If the driver's side seat belt is not latched properly, the maximum vehicle speed will be limited to no more than 15 mph (24 km/h) by the seat belt speed limiting system (page 60). Also the seat belt indicator and speedometer digits blink.

Make sure that the driver's side seat belt is latched properly. If the problem persists, see your dealer.

### Warning

This content is compiled from multiple sources and is provided for reference purposes only. It may not be complete or fully applicable to all situations. If you are unable to resolve your issue, please contact the product manufacturer or an authorized service provider for official support.