

## Features

- (1) Lid
- (2) Removable Permanent Filter
- (3) Removable Filter Holder
- (4) Coffee Dispenser Valve
- (5) Water Reservoir
- (6) Strength Selector Dial
- (7) Heating Light
- (8) Carafe Lid Open Lever
- (9) Carafe Lid

- (10) Glass Carafe
- (11) Warming Plate
- (12) Water Gauge
- (13) On/Off Button
- (14) Hour Button
- (15) Minute Button
- (16) Display Screen
- (17) Program Button
- (18) 1-4 Cup Button
- (19) Clean Button
- (20) Control Panel
- (21) Coffee Spoon

## **Before First Use**

- Take your Coffee Maker out of the box and remove the packaging.
- Wash the detachable parts of the machine in warm soapy water.
- The first time you use your Coffee Maker, operate the Coffee Maker with water only.

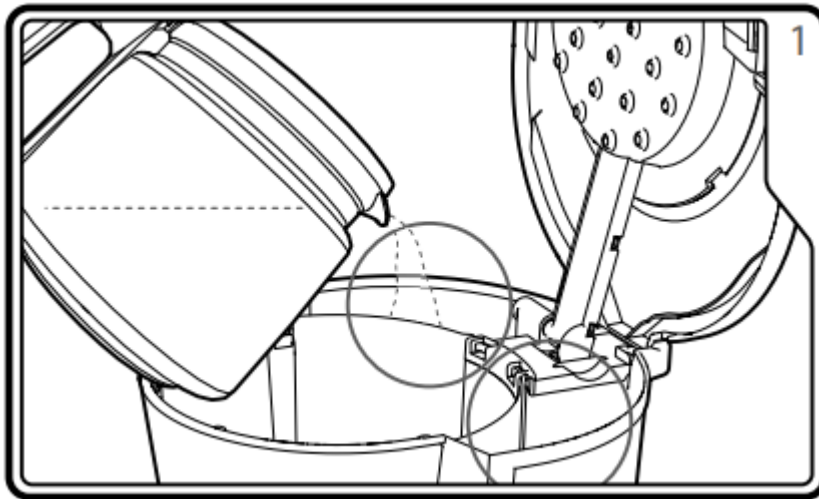
## **Setting the Clock**

When the Coffee Maker is plugged in, the Display Screen (16) will illuminate and the clock will automatically start counting from 12:00. After 10 seconds, the machine will enter standby mode and the screen will dim.

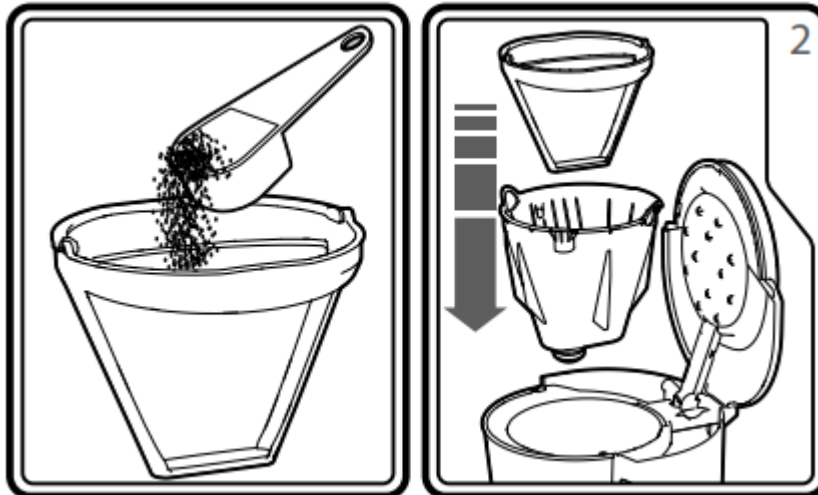
- To set the time, you can use the Hour (14) and Minute (15) Buttons to adjust the clock. The display is a 24 hour clock.

## **Using Your Coffee Maker**

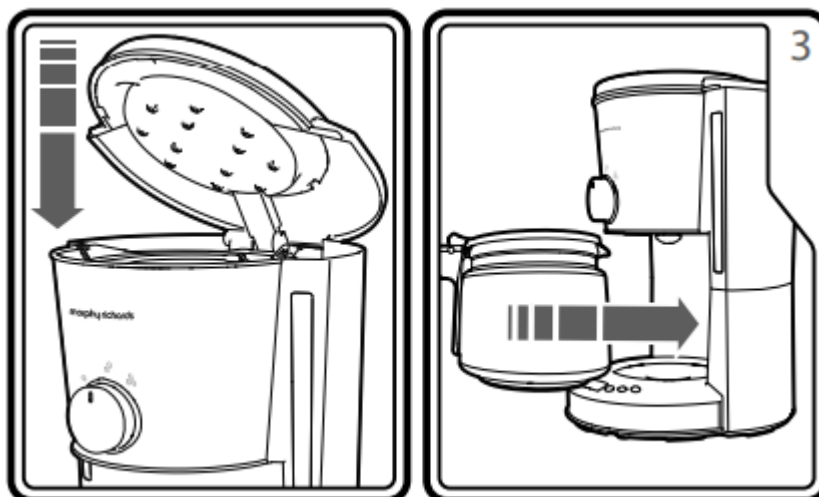
1. Fill the Water Reservoir (5) with cold water. Do not overfill.



2. Use the Coffee Spoon (21) to add filter coffee into the Removable Permanent Filter (2). We recommend 7g (one spoon) of coffee per cup. Place the Filter into the Removable Filter Holder (3) in the Coffee Maker ensuring the Filter Holder locates into place.

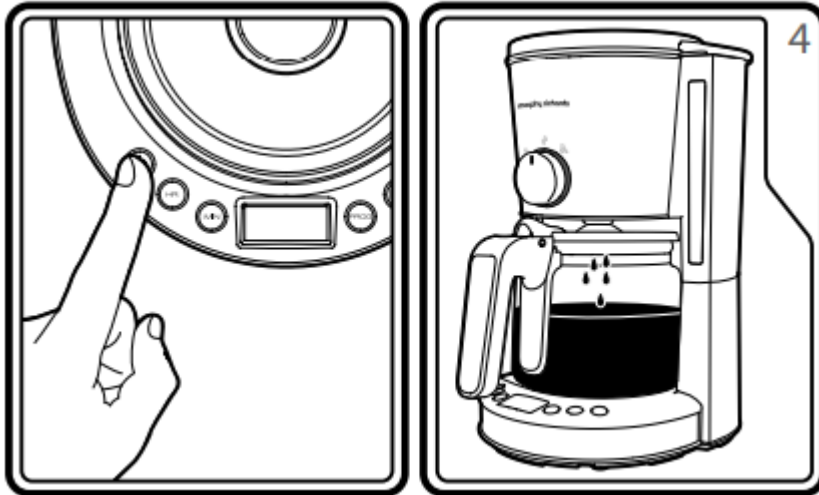


3. Close the Lid (1) and replace the Glass Carafe (10) into the Coffee Maker.

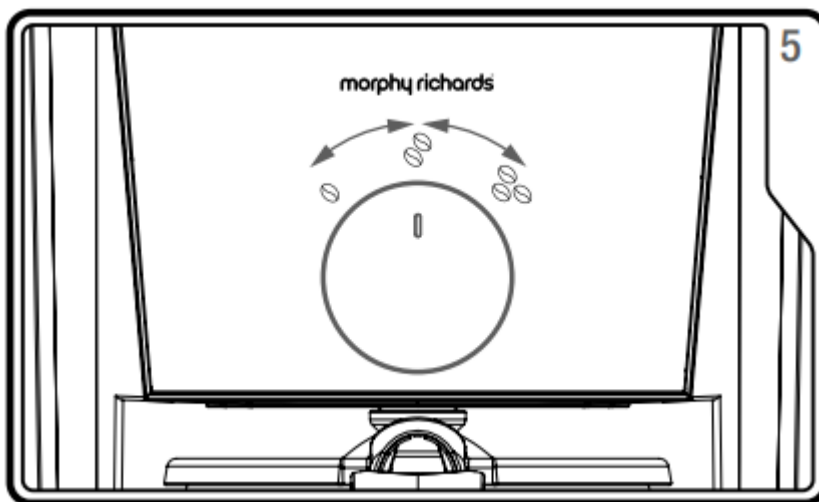


4. Press the On/Off Button (13) to start the brewing process. The Heating Light (7) around the Strength Selector Dial (6) will illuminate red. To stop the brewing process, press the On/Off Button a second time.

At the end of the brewing cycle, the Heating Light (7) will remain illuminated but the light will turn blue, then switch off when the keep warm cycle has finished.



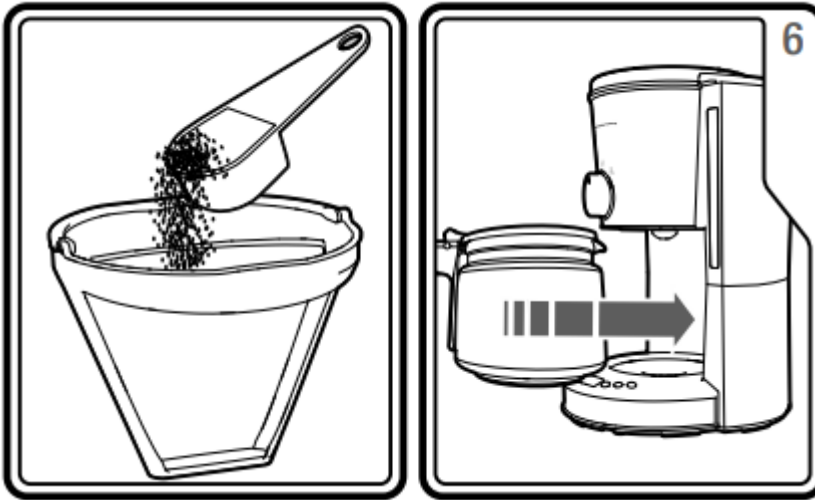
### Using the Strength Selector



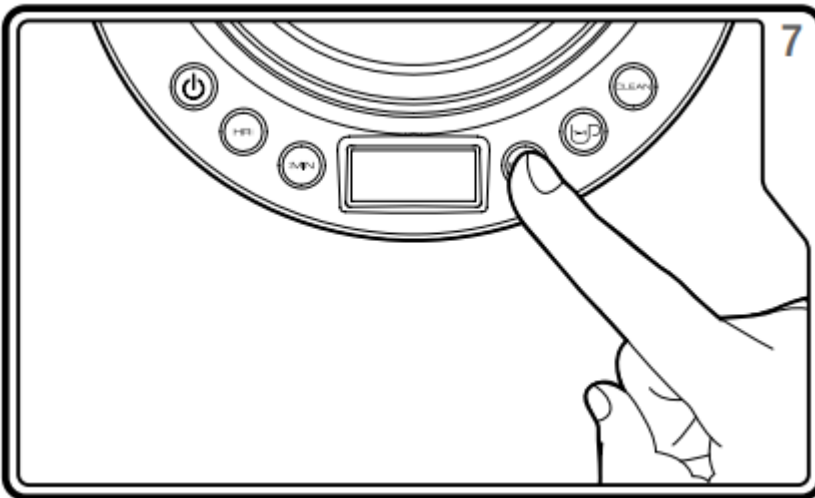
- You can adjust the brew strength by turning the Strength Selector Dial (6) to your taste.
- If you are brewing 1-4 cups, the machine can automatically set the optimum program for you. This is specially adapted for small quantities and will override the Strength Selector Dial. Follow the instructions below:
- For brewing 1-4 cups of coffee, press the 1-4 Cup Button (18). The 1-4 cup symbol will appear on the Display Screen (16). Press the On/Off Button (13) to confirm. The brew cycle will commence and the Heating Light (7) will illuminate red.

## To Pre-set a Brewing Time

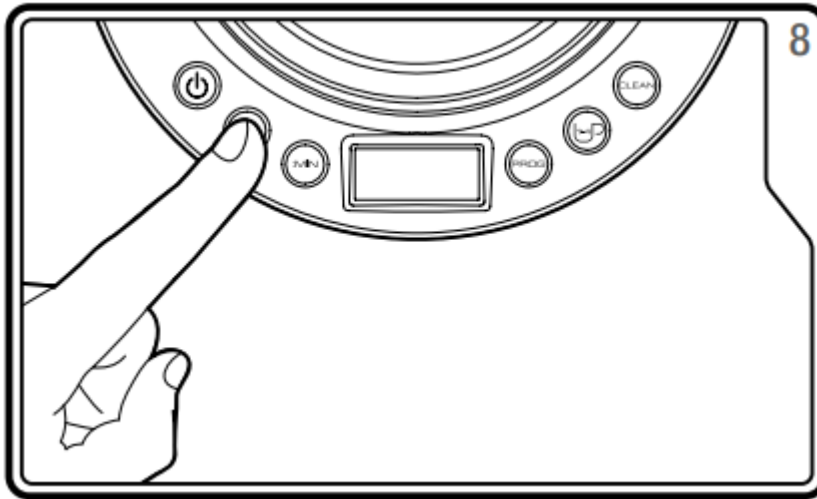
6. Follow 'Using your Coffee Maker' steps 1-3 on page 4.



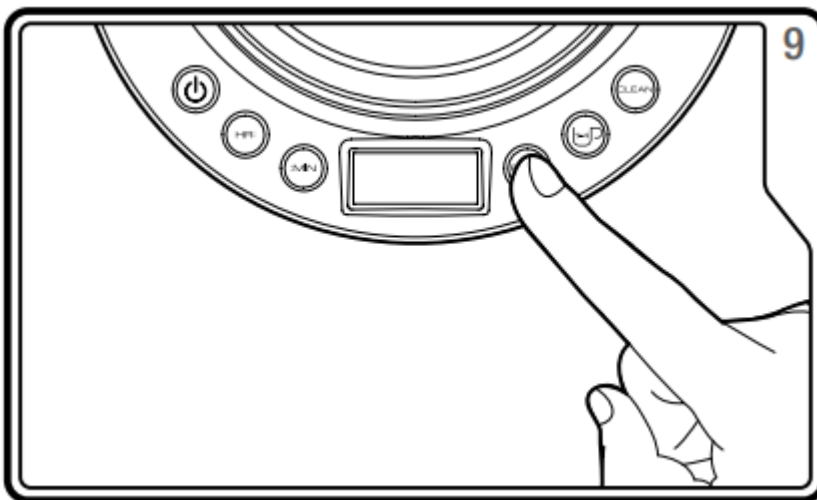
7. Press the Program Button (17) so that 'PROGRAM' flashes on the Display Screen (16) and the time shows as 12:00.



8. Select the brewing start time using the Hour (14) and Minute (15) Buttons.



9. When you have selected the desired time press the Program Button (17), the Display screen will return to showing the current time and 'PROGRAM' will remain on the screen.  
NOTE: If the Program Button has not been pressed to confirm, the Display Screen will return to the current time and the pre-set brewing time will not be activated. To cancel, press the Program Button again. 'PROGRAM' will disappear from the Display Screen.



## Refilling Your Coffee Maker

- Switch off your Coffee Maker and allow 3 minutes to cool before refilling with cold water.

## Keep Warm

After the brewing cycle has finished, your Coffee Maker will activate the keep warm function which will keep your coffee warm for approximately 30 minutes.

The Heating Light (7) will remain illuminated but the light will turn from red to blue, then switch off when the keep warm cycle has finished.

To switch the keep warm mode off press the On/Off Button.

## Cleaning Your Coffee Maker

- Unplug the Coffee Maker and allow to cool.
- Do not immerse the Coffee Maker in liquid.
- Rinse the Water Reservoir (5) occasionally with cold water. Do not use a cloth as any residue or lint may be left behind to clog the Coffee Maker.
- Remove the Permanent Filter (2), discard any used coffee and wash. Extended soaking helps to remove coffee stains from the mesh.
- Wash the Glass Carafe (10), Carafe Lid (9), and Removable Filter Holder (3) in warm soapy water. Rinse and dry all parts thoroughly. Refit the Permanent Filter (2) and Filter Holder.
- Wipe all external surfaces with a damp cloth and dry thoroughly.
- Care must be taken to ensure that the non-drip Coffee Dispenser Valve (4 ) situated on the bottom of the Removable Filter Holder is not damaged during cleaning.
- Never use harsh or abrasive cleaners.
- NO parts are suitable for cleaning in a dishwasher.

## Auto clean

- For a deeper clean follow these instructions
  1. Combine 6 cups of white vinegar and 4 cups of cold water in the reservoir.
  2. Press the Clean Button (19). The screen will indicate CLEAN. Press the On/Off Button (13) to confirm. Your coffee maker will beep and begin the cycle.
  3. Leave the machine for 45-60 minutes until the cycle is complete.
  4. Discard the dirty liquid in the Glass Carafe (10) and run your coffee maker with cold water for a further 2 or 3 times before using again.

## Descaling

- If you live in a hard water area, we recommend that your Coffee Maker is descaled at regular intervals, e.g. every 1-2 months. In areas of moderately hard water, you should descale every 3 months.
- If the water filters through more slowly than usual, or if water still remains in the reservoir at the end of a cycle, it is a sign that descaling is necessary.

- We recommend you use a proprietary liquid descaler which is especially made for coffee makers and plastic kettles. Follow the instructions on the bottle or sachet, and then operate the Coffee Maker with just water 3 times before making coffee.
- Do not use a kettle descaler unless the packet specifically states it is suitable for Coffee Makers.

**Note:** The Removable Permanent Filter should not be used during descaling.

## **Health and Safety**

- **WARNING:** Misuse of the appliance could cause personal injury.
- This appliance can be used by children aged from 8 years and above if they have been given supervision or instruction concerning the use of the appliance in a safe way and if they understand the hazards involved. Cleaning and user maintenance shall not be made by children unless they are older than 8 and supervised. Keep the appliance and its cord out of the reach of children aged less than 8 years.
- If the mains cable is damaged, it must be replaced by the manufacturer, its service agent or similarly qualified person in order to avoid a hazard.
- Appliances can be used by persons with reduced physical, sensory or mental capabilities or lack of experience and knowledge if they have been given supervision or instruction concerning use of the appliance in a safe way and understand the hazards involved.
- The appliance is fitted with a heating element which is subject to residual heat after use.
- Children shall not play with the appliance.
- This appliance is intended to be used in household and similar applications such as: farm houses, by clients in hotels, motels and other residential type environments, and bed and breakfast type environments. It is not suitable for use in staff kitchen areas in shops, offices and other working environments.

### **Location**

- Always locate your appliance away from the edge of the worktop.
- Ensure that the appliance is used on a firm, flat surface.
- Do not use the appliance outdoors or near water.
- **WARNING:** Do not place the appliance onto a metal tray or metal surface whilst in use.

### **Mains cable**

- Do not let the mains cable hang over the edge of the worktop where a child could reach it.
- Do not let the mains cable run across an open space e.g. between a low socket and a table.

- Do not let the mains cable run across a cooker or other hot area which might damage the cable.
- The mains cable should reach from the socket to the base unit without straining the connections.

### **Personal safety**

- **WARNING:** To protect against fire, electric shock and personal injury do not immerse cord, plug and appliance in water or any other liquid.
- Unplug from the outlet before cleaning.
- Allow to cool before putting on or taking off parts and before cleaning.
- Do not move the Coffee Maker while switched on

### **Other safety considerations**

- The use of attachments or tools not recommended or sold by Morphy Richards, may cause fire, electric shock or injury.
- Do not use the appliance for any use other than its intended purpose.
- Do not place the appliance on or near a hot gas or electric burner or in a heated oven.
- **WARNING:** The appliance must not be immersed for cleaning.
- **CAUTION:** To prevent damage to the appliance, do not use alkaline cleaning agents when cleaning. Use a soft cloth and detergent.

#### **Warning**

This content is compiled from multiple sources and is provided for reference purposes only. It may not be complete or fully applicable to all situations. If you are unable to resolve your issue, please contact the product manufacturer or an authorized service provider for official support.