

Environmental protection

Packaging/used appliance

- Dispose of packaging in an environmentally-responsible manner.
- This appliance is labelled in accordance with European Directive 2012/19/EU concerning used electrical and electronic appliances (waste electrical and electronic equipment - WEEE). The guideline determines the framework for the return and recycling of used appliances as applicable throughout the EU.

Tips on economical use

- Always utilise the maximum amount of washing for the particular programme. Overview of programmes ~ Supplementary sheet for the operating and installation instructions.
- Wash normally soiled laundry without prewash.
- The selectable temperatures apply to the care labels on the textiles. The temperatures in the machine may deviate from this so that you get the optimum mix of energy-saving and washing results.
- Energy-saving mode: The control panel lighting and TimeLight (display on the floor ~ Page 39) will go out after a few minutes. The start button will flash. Press any button to activate the lighting. Energy-saving mode will not be activated if a programme is running.
- If the washing will be dried in a dryer. select the spin speed according to the dryer manufacturer's instructions.

Positioning and connecting

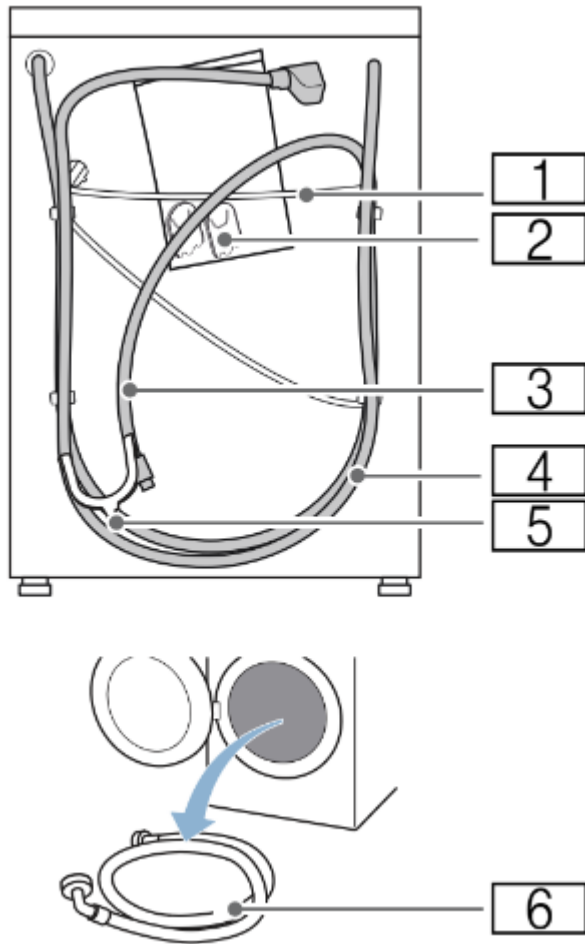
Included with the appliance

Note: Check:

The machine for damage during transit. Never use a damaged machine.

That all accessory parts are supplied.

If you have any complaints. contact the dealer from whom you purchased the appliance or our after-sales service.



Mains cable Bag:

Installation and operating instructions

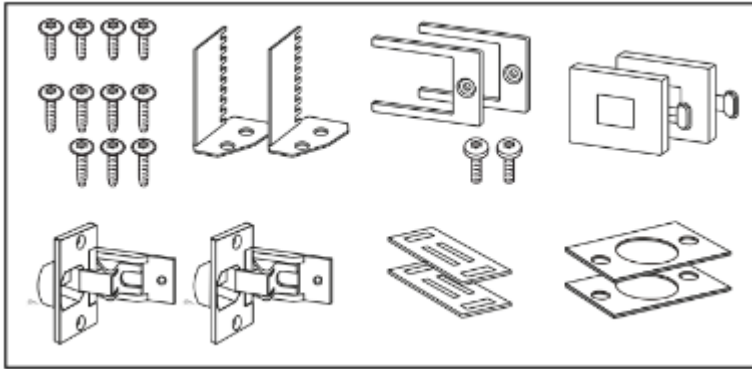
After-sales service location directory*

Guarantee*

Cover caps for openings after the transport locks have been removed

Hose clip for securing the water drain hose to the siphon Water drain hose Water supply hose on AquaStop models Elbow for securing the water drain hose Water supply hose on standard/AquaSecure models Depends on the model

Components required for installation ~ Page 21



Useful tools

Spirit level for aligning

Spanner with: WAF13 for undoing the transport locks and WAF17 for aligning the appliance's feet

Installation surface

The washing machine be stable so that it does not move around.

- The installation surface must be firm and level.
- Soft floors/floor coverings are not suitable.

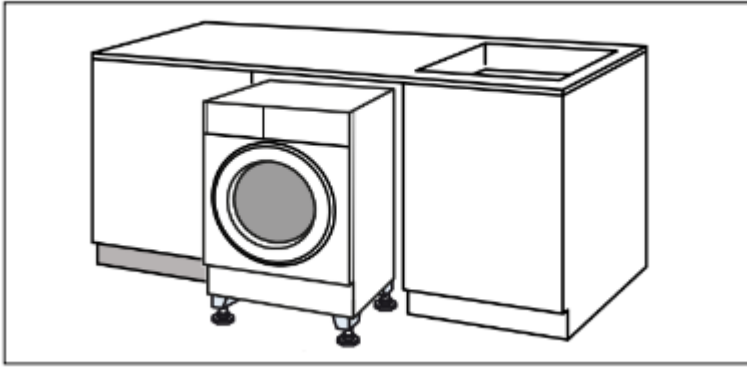
Installation on a slide sheet

- Slide sheets make it easier to push the appliance into the installation space between cabinets.
- You can order slide sheets from specialist retailers/our after-sales service using the spare part no.
- Moisten the slide sheets with a mixture of water and washing-up liquid before pushing the appliance in. Do not use grease and/or oil to do this.

Installing the appliance below a high worktop

When installing the appliance below a high worktop. you can bridge the gap between the top of it and the worktop by placing the appliance on taller feet.

Order no.s for sets of taller feet: WZ 20441. WMZ 20441. Z 7060X1



Installation on a base or a wooden joist floor

On wooden joist floors, install the washing machine:

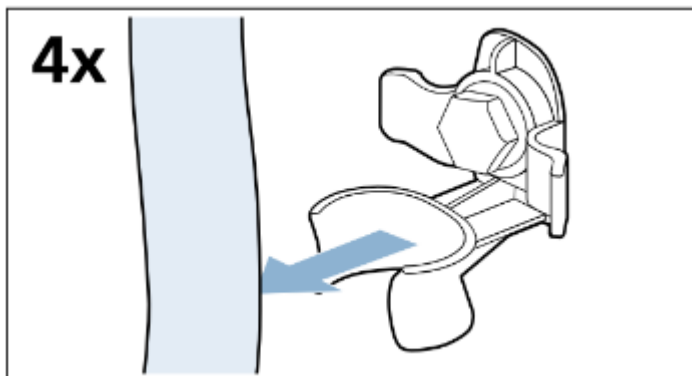
- In a corner, if possible.
- On a water-resistant wooden board (min. 30 mm thick) which is screwed tightly to the floor.

Installation on a platform with drawer

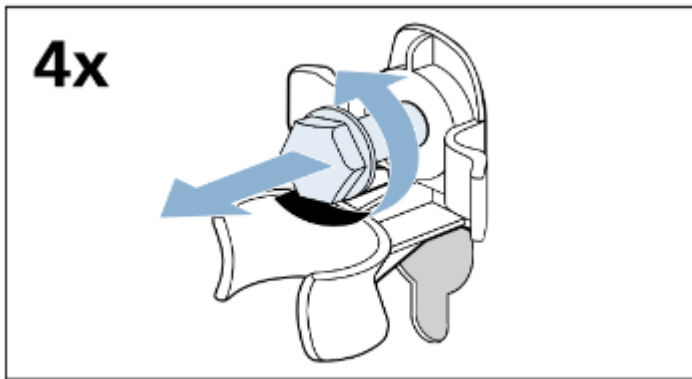
Platform order no.: WMZ 20490. WZ 20490. WZ 20510. WZ 20520

Removing the transport locks

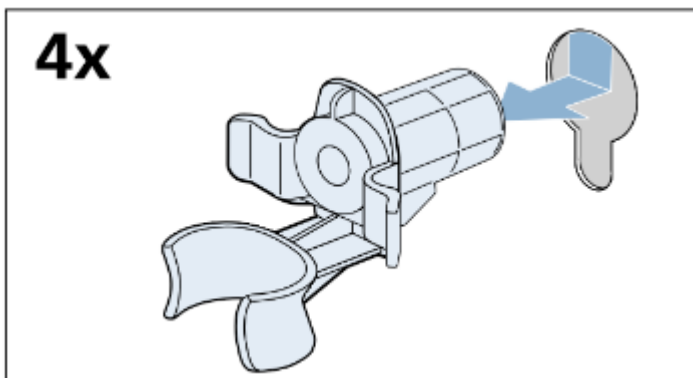
1. Take the hoses out of the holders.



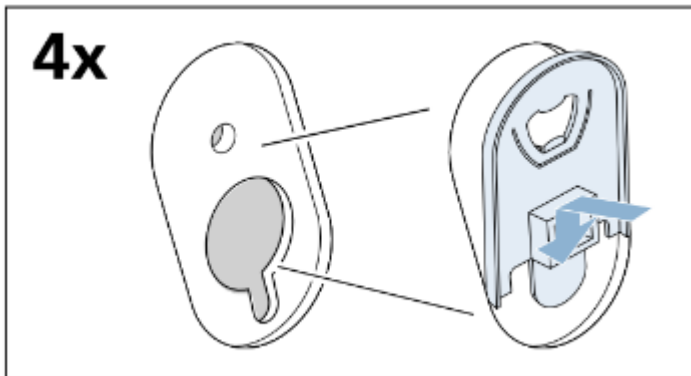
2. Use a WAF13 spanner to undo and remove all four transport lock bolts.



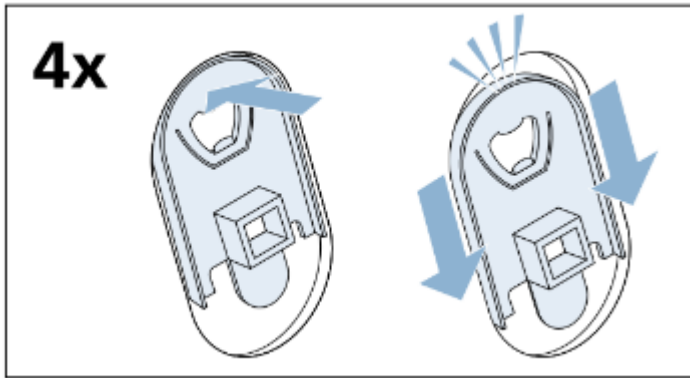
3. Remove the sleeves. Remove the mains cable from the holders.



4. Put on the cover caps.



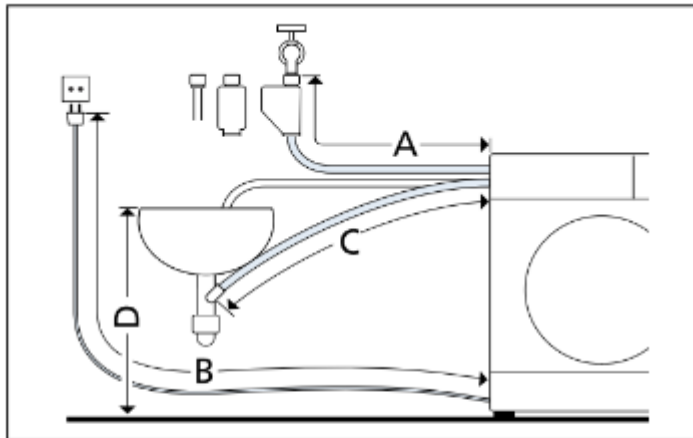
5. Press the cover cap down firmly at the top, while at the same time pushing it downwards until you hear the hooks clicking into place.



Retain the bolts and sleeves for future use. ~ Page 27

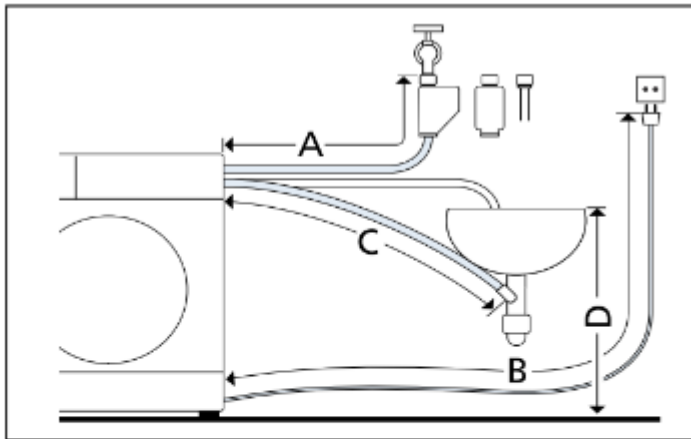
Hose and cable lengths

Left-hand connection



- A 205 cm
- B 150 cm
- C 164 cm
- D max. 100 cm

Right-hand connection



A	160 cm
B	195 cm
C	215 cm
D	max. 100 cm

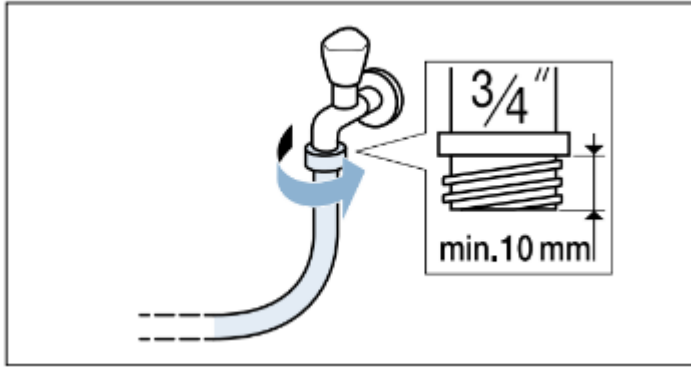
Water inlet

- Only operate the washing machine using cold mains water.
- Do not connect the machine to the mixer tap of an unpressurised hot water generator.
- Only use the supply hose provided or one that has been purchased from an authorised specialist retailer. Do not use a supply hose that has already been used.
- Do not kink or squeeze the water supply hose.
- Do not alter (shorten or cut through) the water supply hose (or else its strength can no longer be guaranteed).
- Only tighten the screw connections by hand. If the screw connections are over-tightened with a tool (such as pliers), this may damage the thread.

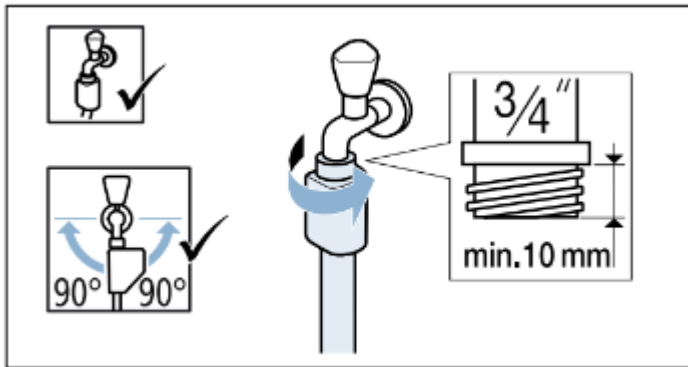
Connection

Connect the water supply hose to the tap (26.4 mm = 3/4") and to the appliance (not necessary on models with AquaStop as this is permanently installed):

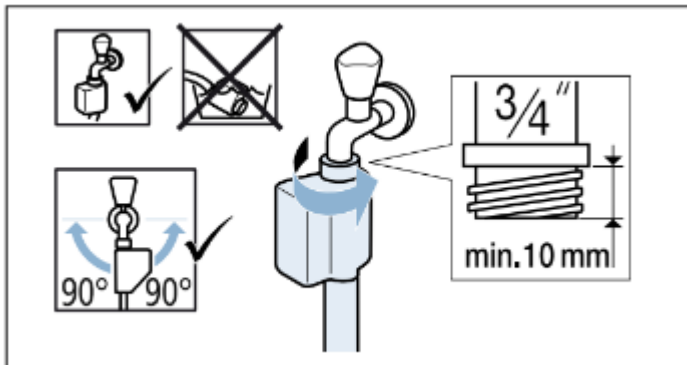
Model: Standard



Model: AquaSecure



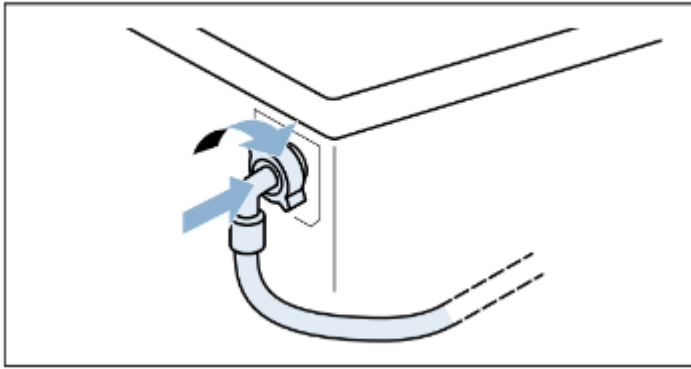
Model: AquaStop



To the appliance

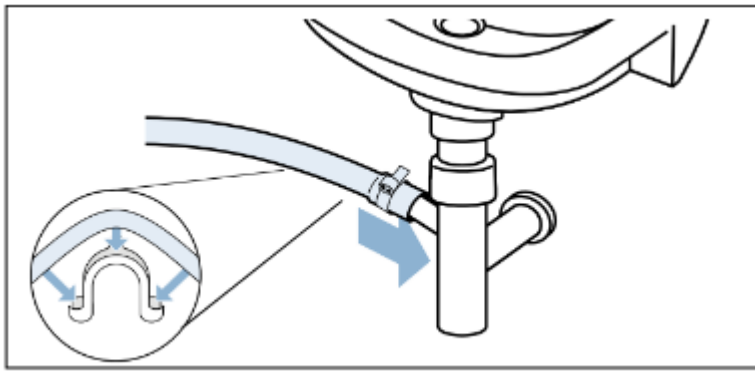
Model: Standard and AquaSecure





Water outlet

Connection to a siphon



Height difference between the installation area and the drain

Levelling

- Incorrect alignment may result in loud noises, vibration and the machine "wandering".
- All four of the appliance's feet must stand firmly on the ground. The appliance must not wobble.
- Use a spirit level to check that the appliance is level and aligned correctly. If necessary, you can amend the alignment of the appliance by adjusting its feet.
- The appliance must not touch the side panels of the cabinets it is between.
- The lock nuts on the appliance's front feet must be firmly tightened against the housing using a WAF17 spanner.

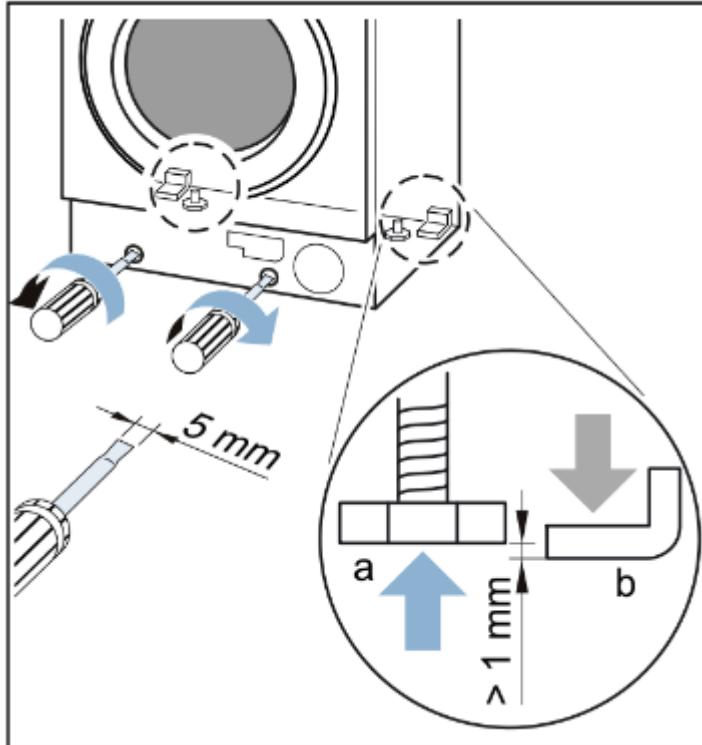
Electrical connection

- The mains voltage and voltage indicated on the washing machine (rating plate) are the same.
- The connected load and fuse required are specified on the rating plate.
- The washing machine is only connected to an alternating current supply via a properly installed earthed socket.

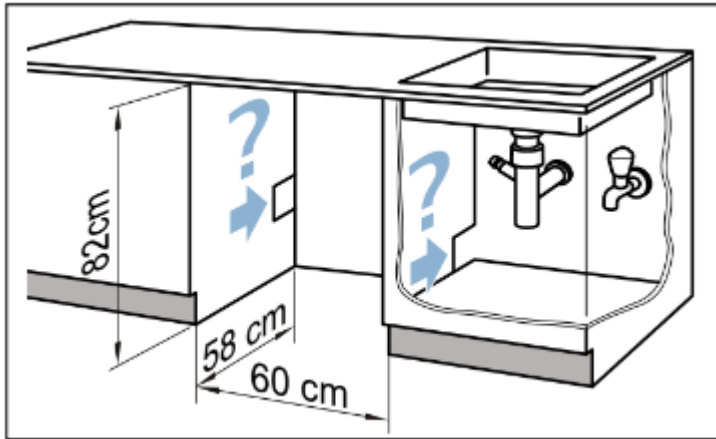
- The mains plug fits the socket.
- The cable cross-section is adequate.
- The earthing system is properly installed.
- The mains cable is only replaced by a qualified electrician (if this is necessary). Replacement mains cables are available from customer services.
- No multiple plugs/couplings or extension cables are used.
- If an earth-leakage circuit breaker is used, only a type which displays the z symbol is used.
- Only this symbol guarantees compliance with the currently applicable regulations.
- The mains plug can be accessed at all times. If this is not possible, in order to comply with the relevant safety regulations, a switch (2-pole switch-off) must be built into the permanent installation in accordance with electrical installation regulations.
- The mains cable is not kinked, squashed, altered or cut through.
- The mains cable does not come into contact with heat sources.

Installing the appliance

1. To make it easier to push in the appliance, turn in the appliance's rear feet (a) until the appliance is on the runners (b).

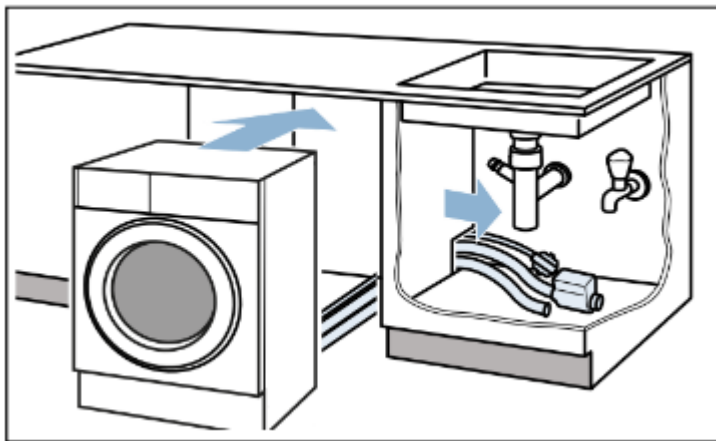


2. Prepare the installation space.

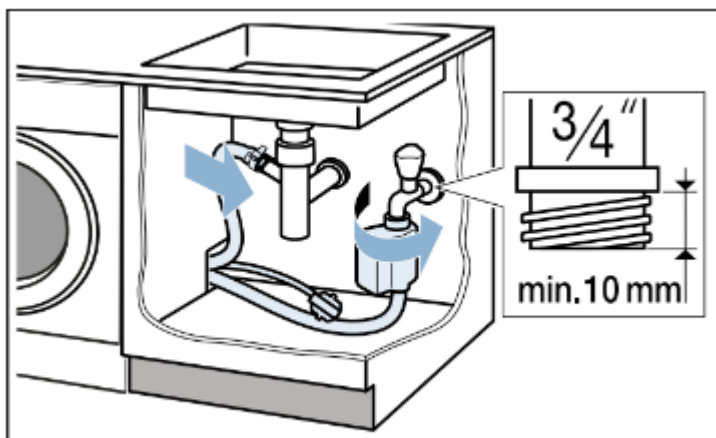


3. Lay the mains cable and the hoses.

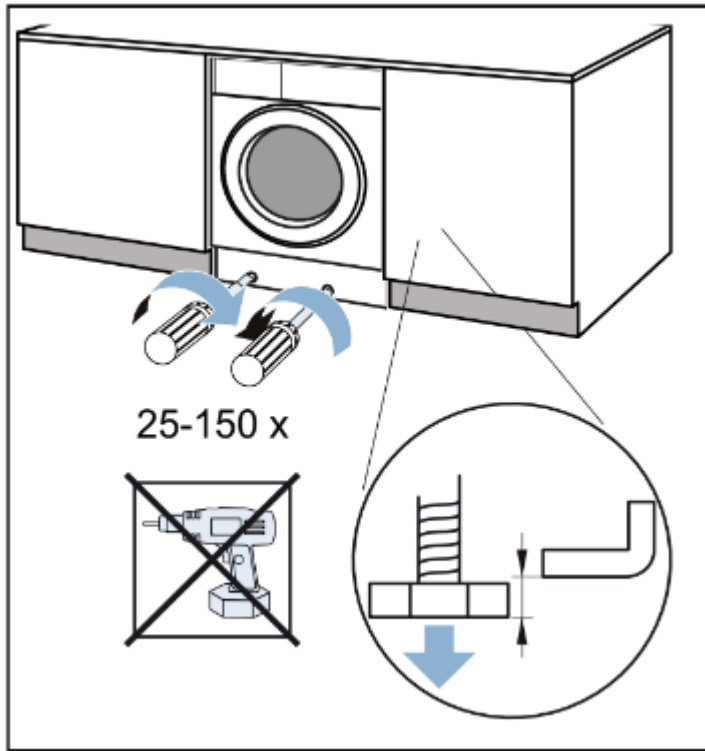
Push the appliance in, moving the mains cable and the hoses with it.



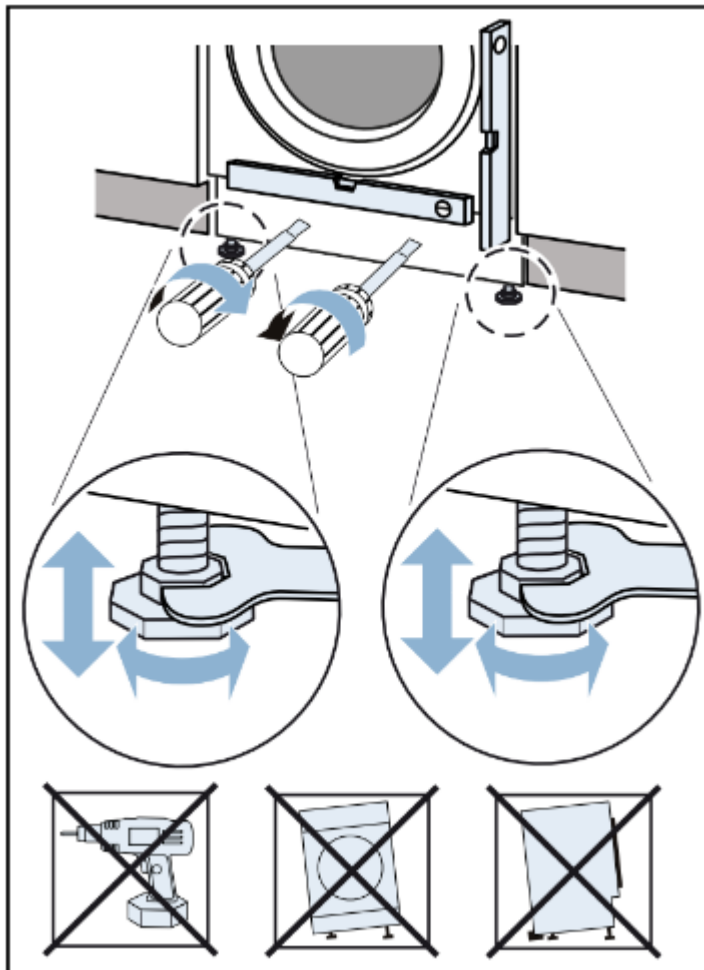
4. Connect the hoses. ~ Page 18. ~ Page 19



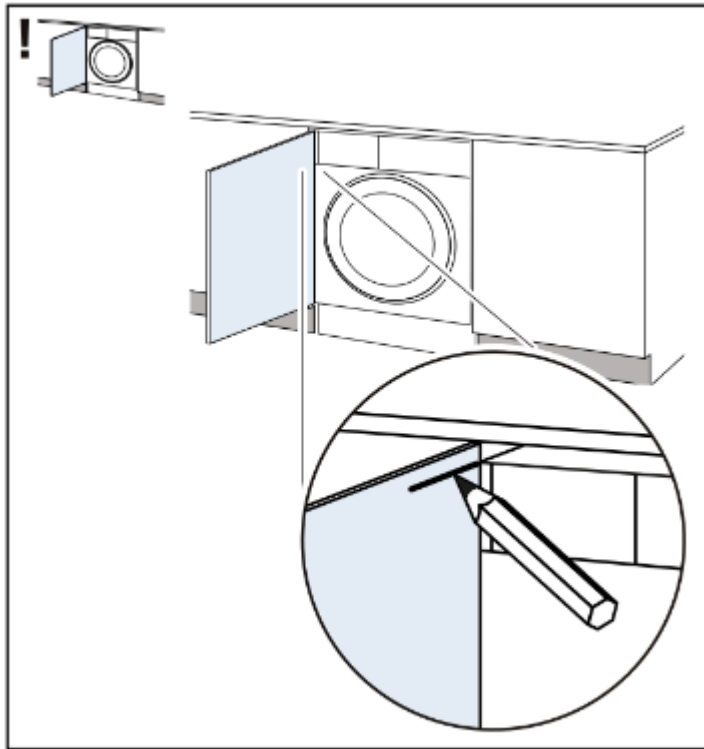
5. The appliance must be standing on all four feet before it can be put into operation. Unscrew the rear feet.

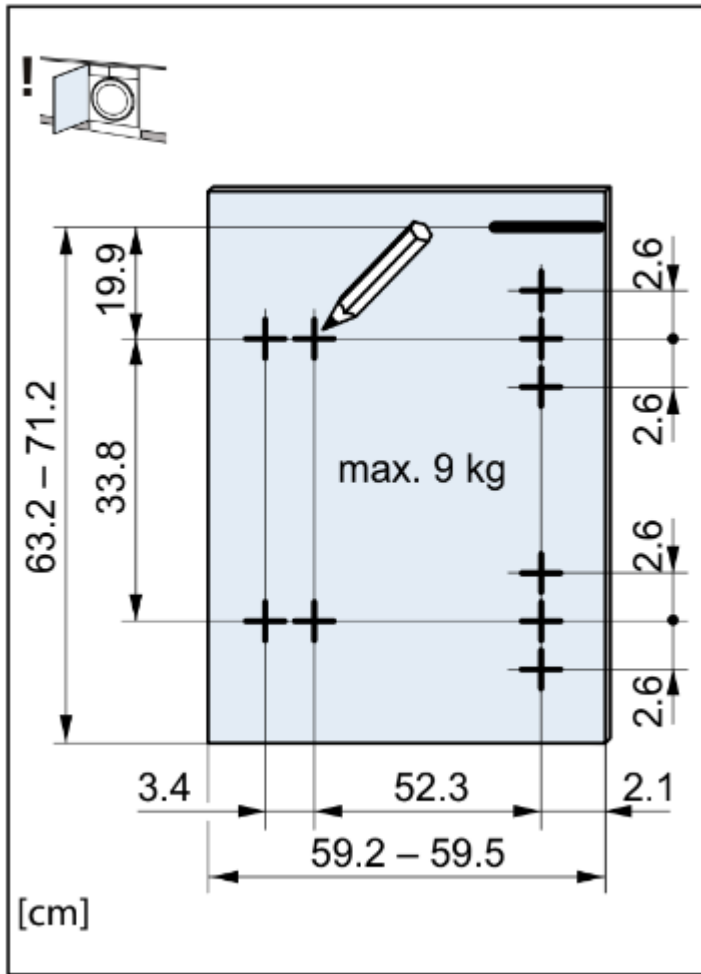


6. Use a spirit level to make sure the appliance is level. ~ Page 19



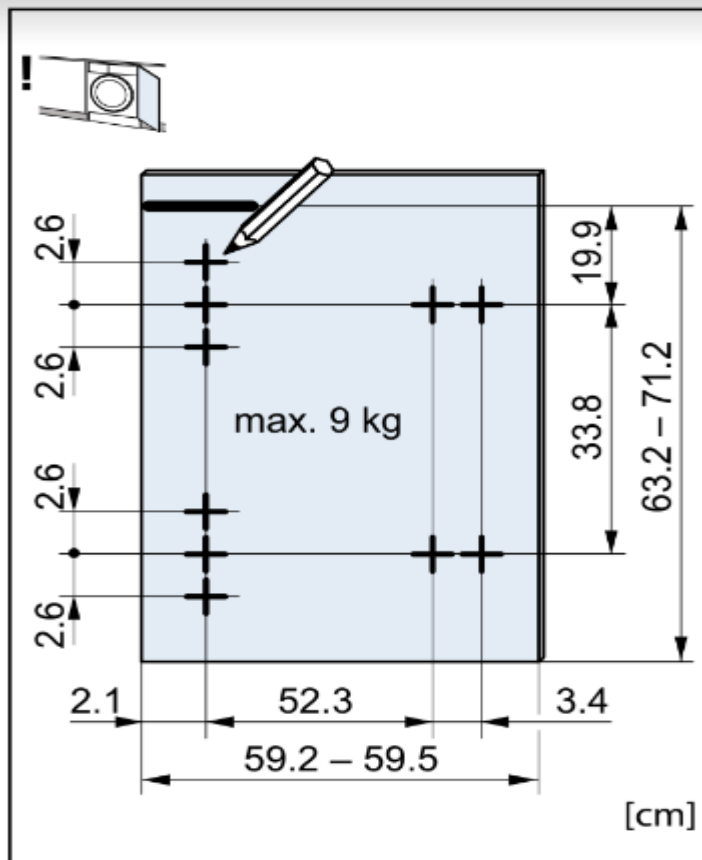
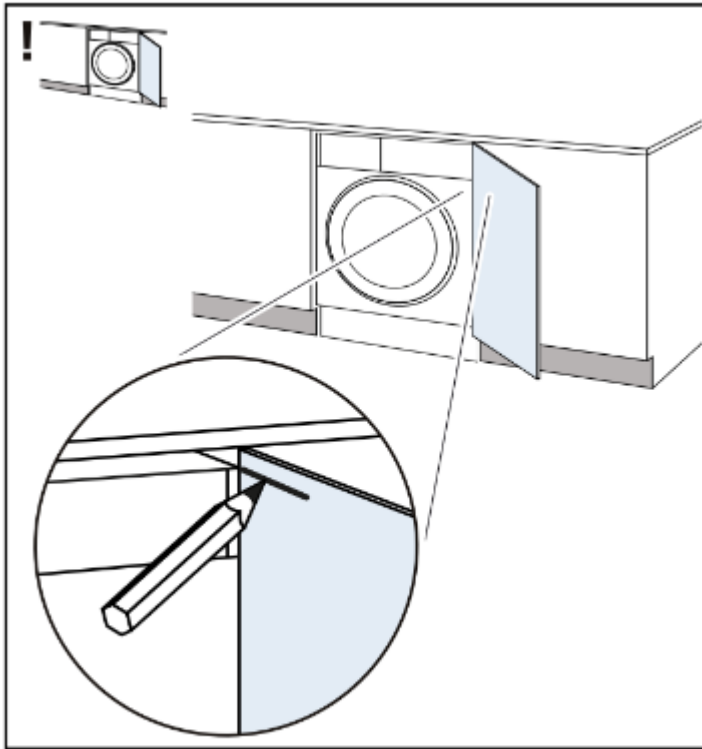
7. Hold the cabinet door against the appliance at the required height and mark where the top edge of the appliance comes to on the inside of the door. Left hinged



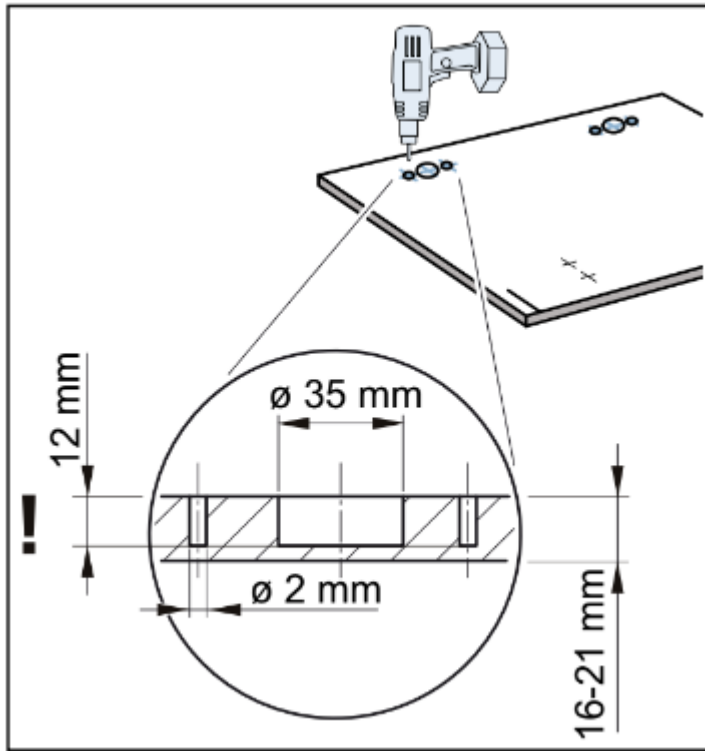


Right hinged

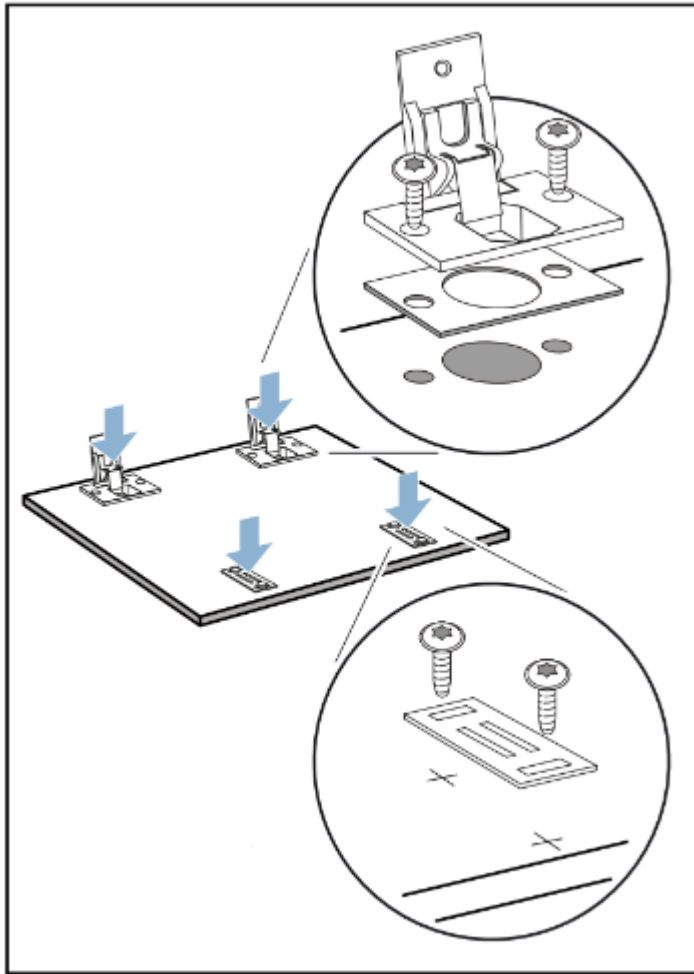




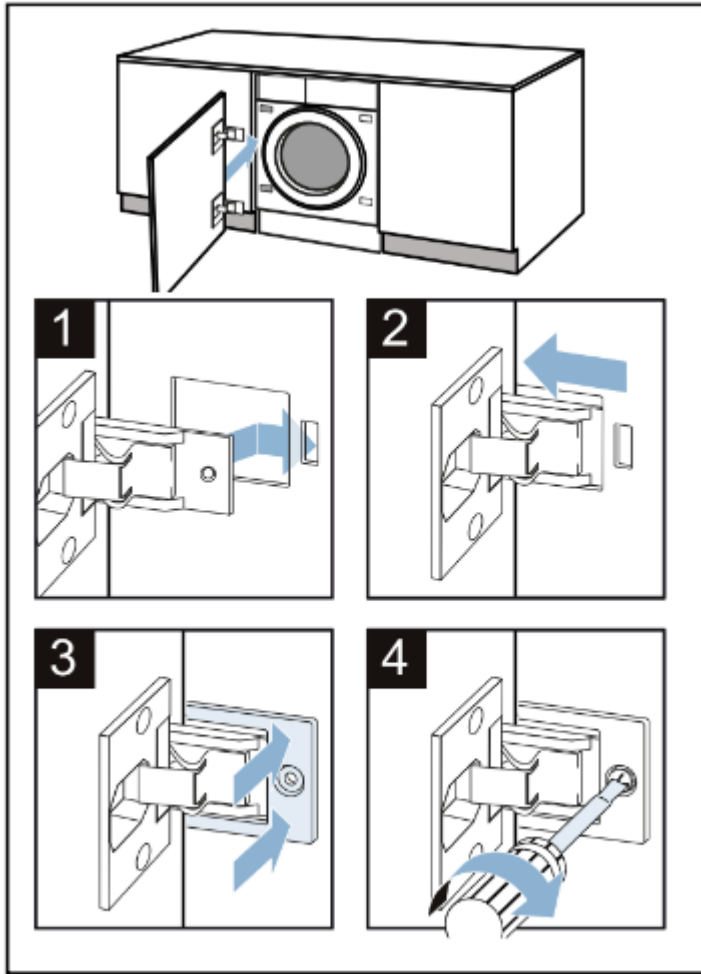
8. Drill the holes. Use a Forstner bit for the 35 mm hole.



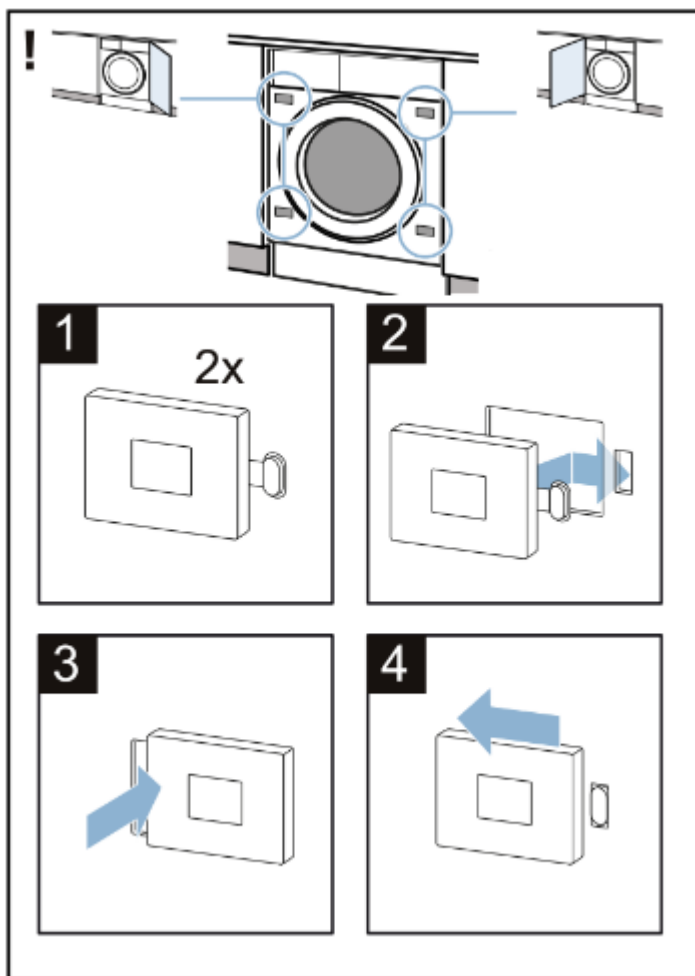
9. Put the hinges over the holes and screw them on. Screw on the counter plates for the magnetic catches.



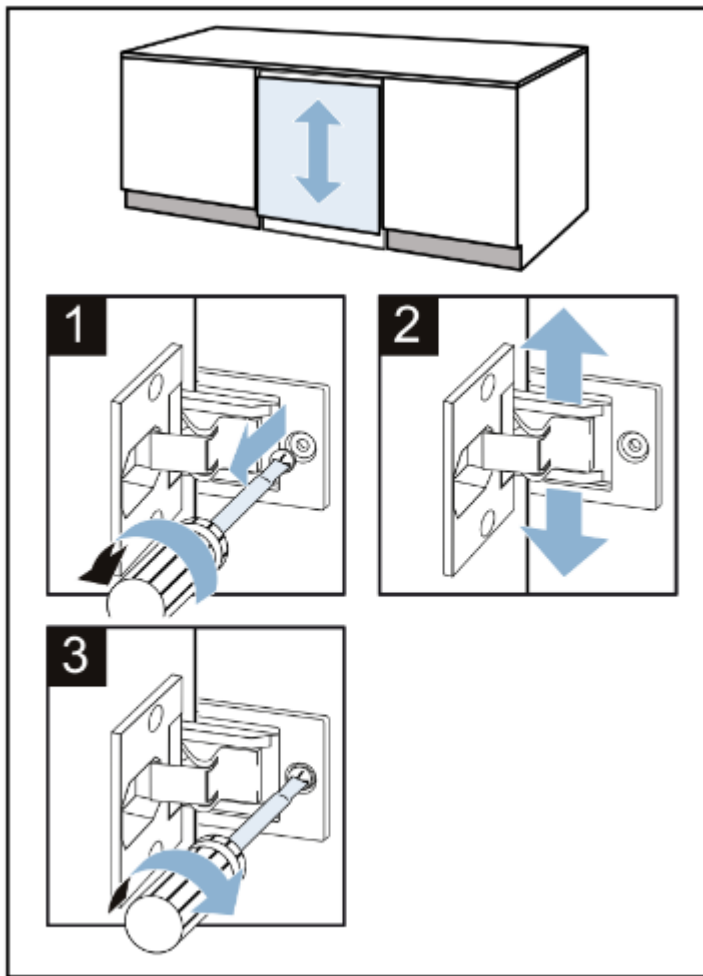
10. Put the hinges in the appliance (1 + 2), push on the cover panels (3) and screw them in place (4).

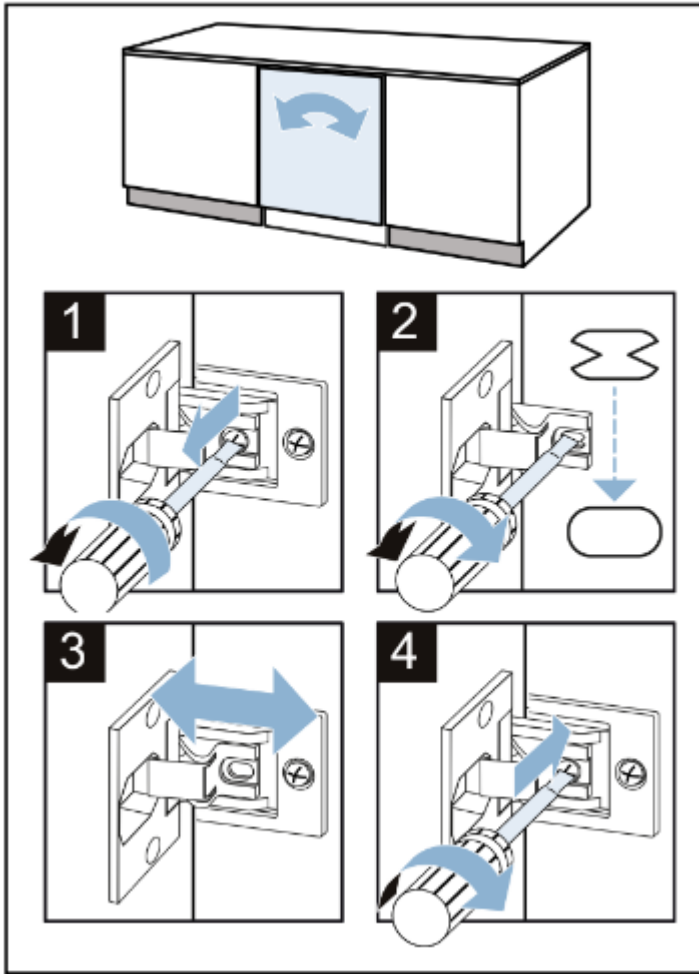


11. Put the magnetic catches on the appliance.

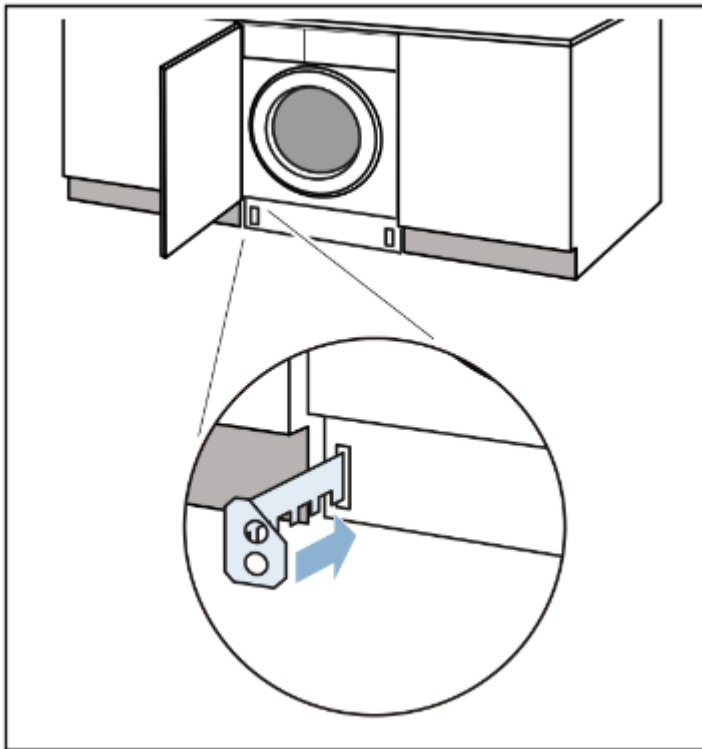


12.Align the door of the cabinet.

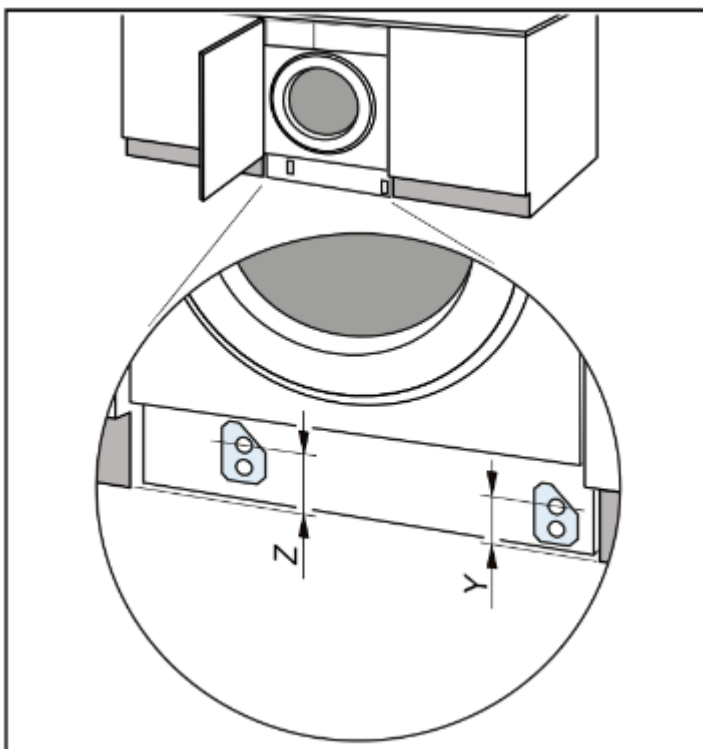




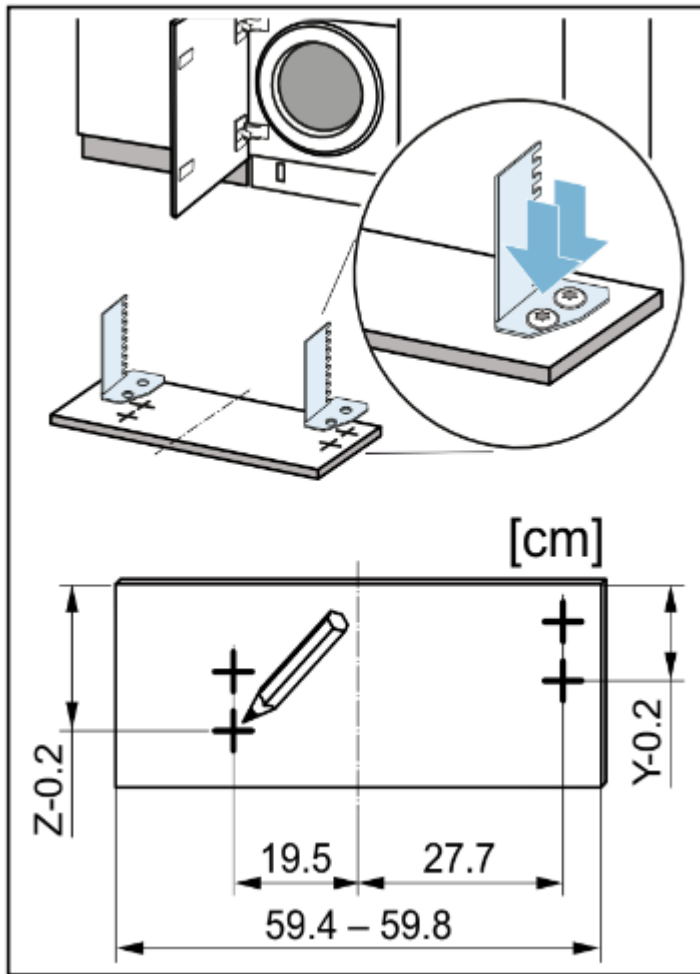
13. Put in the spacers for the toe kick.



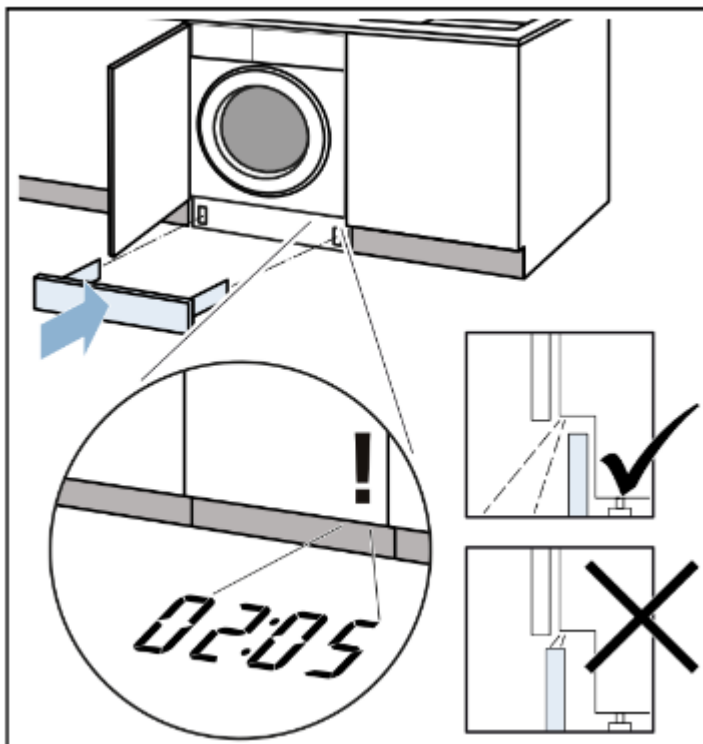
14. Measure dimensions Z and Y.



15. Screw the spacers in as per the dimensions.

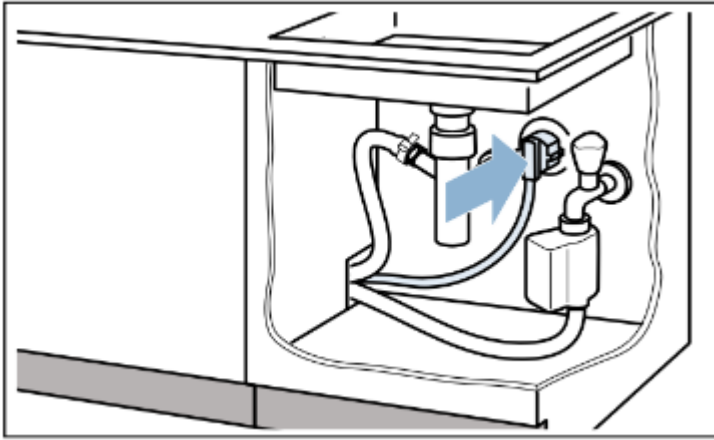


16. Fit the toe kick.



Note: If the toe kick is pulled forwards or if it is installed flush with the front of the cabinet, the TimeLight* (display on the floor) will not be visible.

17. Plug the plug into the socket.



Your appliance is now installed and ready to use.

Before washing for the first time

The washing machine was thoroughly tested before leaving the factory. To remove any water that may be left over from testing, run the first wash cycle without any laundry.

Preparatory work:

1. Plug the mains plug into the mains.
2. Turn on the tap.

Run a programme without laundry:

1. Switch on the appliance.
2. Close the door (do not load any laundry).
3. Set the 90 °C Drum clean programme.
4. Open the detergent drawer.
5. Pour approximately 1 litre of water into compartment II.
6. Pour standard washing powder into compartment II.

Note: To prevent foaming, only use half the amount of detergent recommended by the detergent manufacturer. Do not use detergent designed for woollens or delicates.

7. Close the detergent drawer.
8. Press the A button.
9. Switch off the appliance at the end of the programme.

Your washing machine is now ready to use.

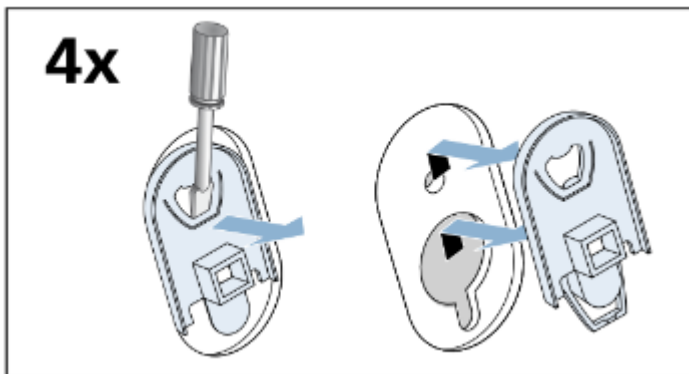
Transportation

Preparatory work:

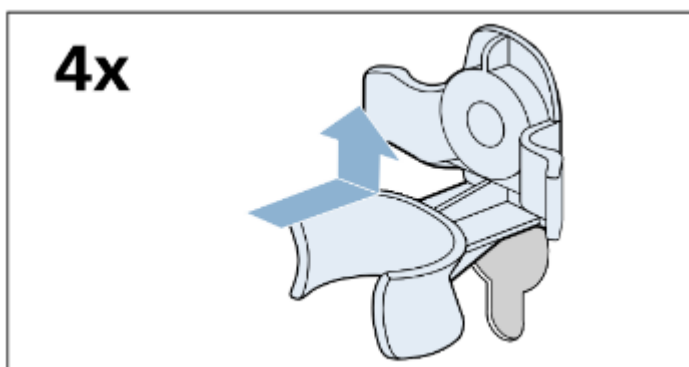
1. Turn off the tap.
2. Reduce the water pressure in the supply hose: ~ Page 47; Cleaning and maintenance – filter in the water supply blocked
3. Disconnect the washing machine from the mains.
4. Drain the remaining water: ~ Page 46; cleaning and maintenance – the drain pump is blocked. emergency draining
5. Remove the hoses.

Attach the transport locks:

1. Use a screwdriver to remove the covers and then keep them in a safe place.

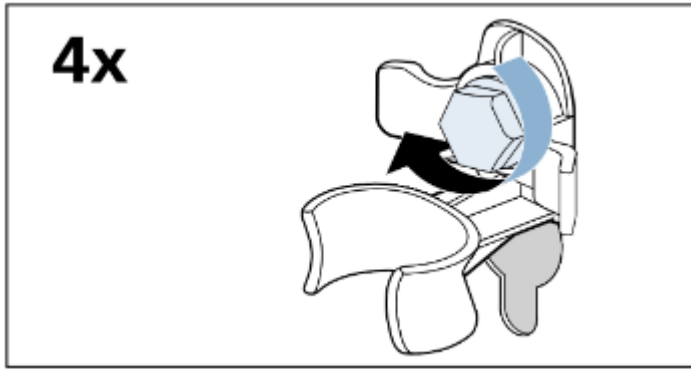


2. Insert all four sleeves.



The mains cable can be clamped to the holders.

3. Insert the transport lock bolts and tighten them with a WAF13 spanner.

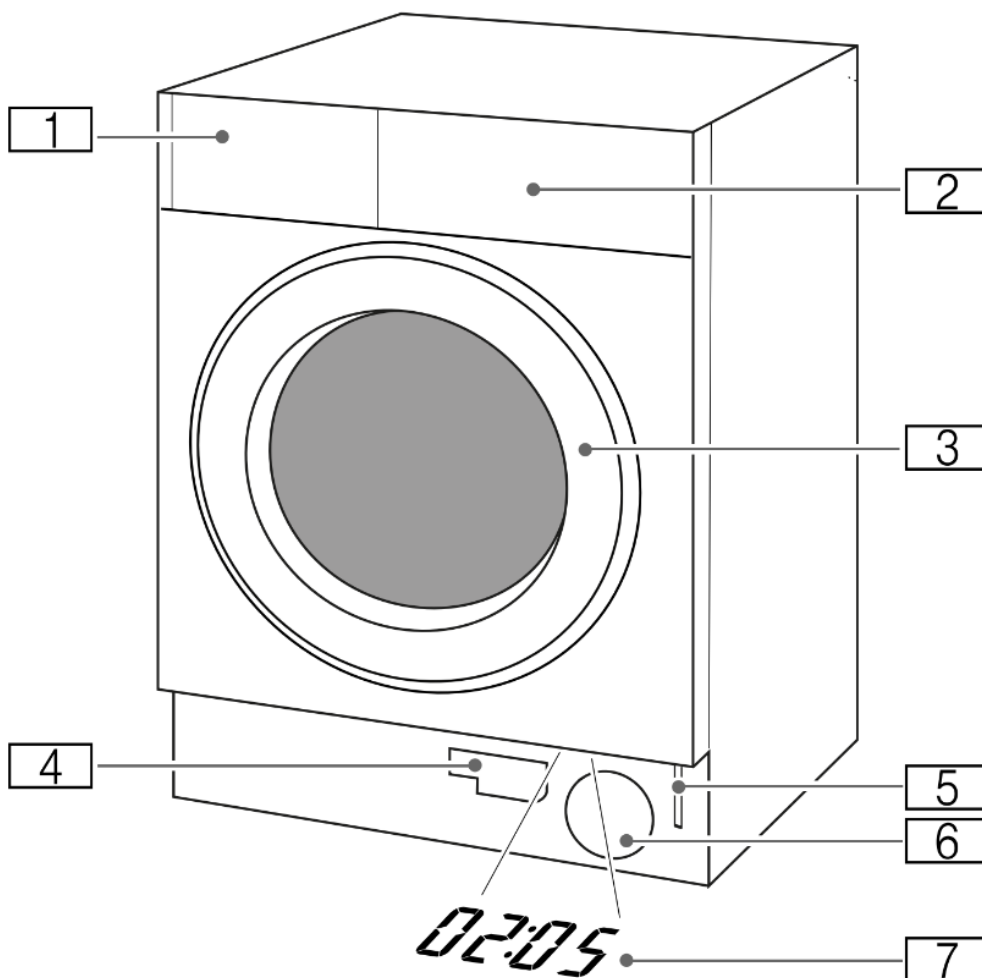


Before switching on the appliance again:

- The transport braces must be removed.
- Pour approx. 1 litre of water into compartment II. select the Drain/Empty programme and start. This will prevent detergent from flowing unused into the drain during the next wash.

Getting to know the appliance

Washing machine



- 1 Detergent drawer
- 2 Control/display panel
- 3 Door with door handle
- 4 Drain hose
- 5 Emergency release
- 6 Drain pump
- 7 TimeLight

TimeLight

When the appliance is switched on, information about the programme will be displayed on the floor underneath the door of the cabinet. You can switch this display on or off.

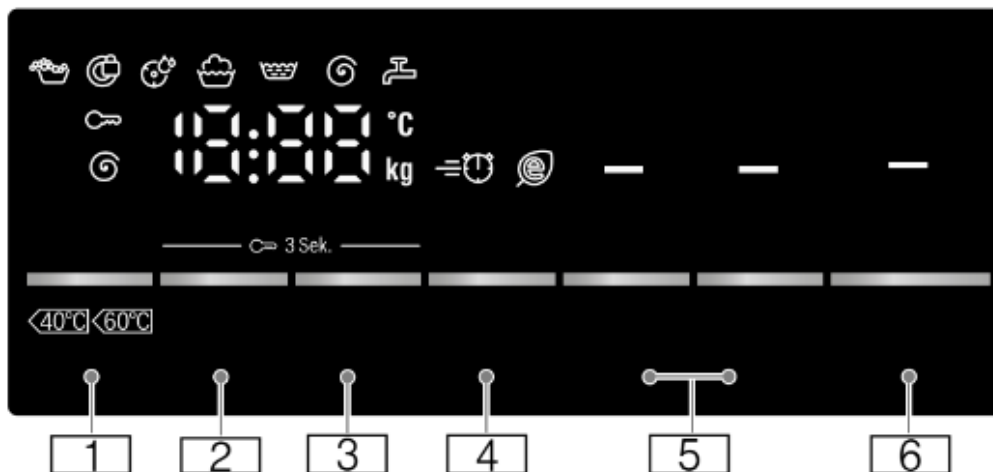
Control panel



- 1 **Programme selector:**
for selecting a programme and switching the machine on/off via the **Off** position **O**;
- 2 **Programmes**
You can find an overview of all programmes on the printed supplement for the installation and operating instructions.
- 3 **Display panel** for settings and information

Display panel

The display panel provides you with information on the programme you have selected and the possible settings for that programme.



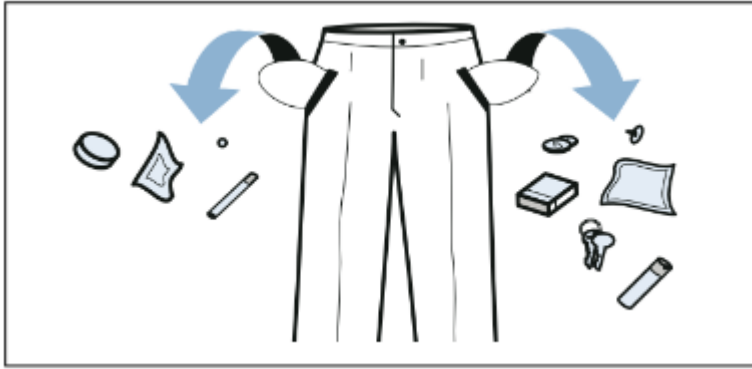
Buttons	Indicators and symbols for setting values	Setting
1	--- 90	Temperature in °C; -- = cold
2	0 - 1400*, - - -	Spin speed in rpm; 0 = no spin, - - - = Rinse Stop
3	1 - 24 h	Ready in
4	≡ ⏰ Ⓢ	Speed/Eco
5		Water&Rinse+ **
		Easy-Iron **
		Prewash **
6		for starting, pausing (e.g. to add laundry) and cancelling a programme
2 + 3	🔒	Childlock / control panel lock
* Maximum spin speed depends on the model		
** Buttons depend of the model		
Other indicators and symbols	Information on:	
🧺 🧺 ⏰ End - - - ⏰	Programme status: wash, rinse, spin, end of programme Programme end with Rinse Stop selected	
🔒	Door locked	
🚰	Tap off / water pressure too low	
🕒	Memory function for drum care	
🧺	Foam detected	
⏰ : ⏰	Length of programme, e.g. 1:51; "Ready in" time, e.g. 8.5 h; recommended load, e.g. 8.0 kg*; programme status, e.g. End	
* Symbols depend on the model		

Laundry

Prepare the laundry

You should therefore do the following when preparing your laundry:

- Empty any pockets.



- Look out for metal objects (paperclips. etc.) and remove them.
- Wash delicates in a laundry bag (tights. underwired bras. etc.).
- Close any zips; button up any cover buttons.
- Brush sand out of pockets and collars.
- Remove curtain fittings or place curtains in a laundry bag.

Sorting laundry

Sort your laundry according to the care instructions and manufacturer's information on the care labels. depending on:

- Type of fabric/fibre
- Colour
 - Soiling
 - Wash laundry with the same level of soiling together.
 - Some examples of soiling levels can be found on ~ Page 33. - Light: Do not prewash. select the Speed setting if necessary - Normal
 - - Heavy: Load less laundry. select a program with prewash - – Stains: Remove/pretreat stains while they are fresh. Firstly. dab with soapy water; do not rub. Then wash the items of laundry with the appropriate program. Stubborn or dried-in stains can sometimes only be removed by washing several times.
- Symbols on the care labels



Suitable for normal washing process; e.g. Cottons program



A gentle washing process is required; e.g. Easy-Care program



An especially gentle washing process is required; e.g. Delicate/Silk program



Suitable for washing by hand; e.g. W Wool program



Do not machine wash.

Starching

Liquid starch can be used to stiffen fabrics particularly in the Rinse and Cottons programmes. Measure starch into compartment M in accordance with the manufacturer's instructions (clean first if necessary).

Dyeing/bleaching

- Dye should only be used in normal household quantities. Salt may damage stainless steel. Always follow the dye manufacturer's instructions.
- Do not use the washing machine to bleach clothes.

Soaking

1. Pour soaking agent/detergent into compartment II in accordance with the manufacturer's instructions.
2. Select the desired programme.
3. Press the A button to start the programme.
4. After approx. ten minutes. press the A button to pause the programme.
5. After the desired soaking time. press the A button again to continue or change the programme.

Detergent

Correct selection of detergent


The care label is crucial for selecting the correct detergent. temperature and treatment of the laundry. ~ See also www.sartex.ch

If you visit www.cleanright.eu. you will find further information on detergents. care products and cleaning agents for domestic use.

- Standard detergent with optical brighteners Suitable for boil-washable white laundry made from linen or cotton Programme: Cottons/ cold - max. 90 °C
- Detergent for colours without bleach or optical brighteners Suitable for coloured laundry made from linen or cotton Programme: Cottons/ cold - max. 60 °C
- Detergent for colours/delicates without optical brighteners Suitable for coloured laundry made from easy-care fibres. synthetic fibres Programme: Easy-Care/ cold - max. 60 °C
- Detergent for delicates Suitable for delicate. fine fabrics. silk or viscose Programme: Delicate/Silk/ cold - max. 40 °C
- Detergent for woollens Suitable for wool Wool programme/ cold - max. 40 °C

Saving energy and detergent

For light and normal soiling, you can save energy (lower washing temperature) and detergent.

Saving	Soiling/note
<p>Reduced temperature and detergent quantity as per the recommended dosage</p> 	<p>Light No visible dirt or stains. Clothing has taken on some body odour, e.g.:</p> <ul style="list-style-type: none">■ Light summer/sports clothing (worn for a few hours)■ T-shirts, shirts, blouses (worn for up to one day)■ Guest bed linen and hand towels (used for one day)
<p>Temperature as per the care label and detergent quantity as per the recommended dosage for heavy soiling</p>	<p>Normal Visible dirt or a few light stains, e.g.:</p> <ul style="list-style-type: none">■ T-shirts, shirts, blouses (sweat soaked, worn a few times)■ Towels, bedding (used for up to one week) <hr/> <p>Heavy Dirt and/or stains clearly visible, e.g. tea towels, baby items, work clothing</p>

Programme default settings

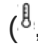
Programme default settings The default program settings are displayed on the display panel once the program has been selected.

You can change the default settings.

To do this, repeatedly press the corresponding button until the required setting value is displayed on the display panel.

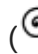

You can find an overview of all possible program settings on the supplementary sheet for the installation and operating instructions.

Temperature

(, °C. Temp. °C. Temperature) Depending on what stage the programme is in, you can change the set temperature before and during the programme.

The maximum temperature that can be set depends on the programme that has been selected.

Spin speed

(,  rpm. Spin speed) Depending on how far through the program the appliance is, you can change the spin speed (in rpm – revolutions per minute) before and during the program.

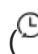
Setting 0: No final spin; the water is simply pumped out. The laundry stays wet inside the drum, e.g. for items that are not to be spun.

- setting: Rinse Stop = no final spin; the laundry stays in the water after the final rinse.

You can select "Rinse Stop" to prevent creasing if the laundry will not be taken out of the washing machine immediately after the program has ended.

To resume/end the program ~ Page 40 The maximum speed that can be set depends on the model and the program that has been selected.

Ready in

(, Finished in. Finish in. Ready in) Before starting the program, you can preselect the program end time ("Ready in" time) in hourly increments (h = hour), up to a maximum of 24 hours.

To do this: 1. Select a program.

The program duration will be displayed for the selected program, e.g. 2:30 (hours:minutes).

2. Press the Ready in button repeatedly until the required number of hours is displayed.

3. Press the A button.

The program will now start. The selected number of hours (e.g. 8 h) is shown on the display panel and counts down until the wash program starts. The duration of the program will then be displayed.

- Imbalances (e.g. due to fitted sheets) are eliminated by rotating the drum briefly several times.

- Fluctuations in power supply.
- Water pressure (inflow rate).

Once the program has been started.

you can change the preselected number of hours as follows: 1. Press the A button.

2. Use the Ready in button to change the number of hours.

3. Press the A button.

Once the program has been started.

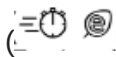
you can add more laundry or remove laundry as required. ~ Page 40

Additional programme settings

You can find an overview of all the possible additional settings on the printed supplement for the installation and operating instructions.

The settings vary depending on the model.

Speed/Eco



F. Speed/Eco Perfect. Turbo/Eco Perfect)

Button with two possible settings for adapting the selected program:

Speed

Washing in a shorter time while achieving a washing result that is consistent with. but uses more energy than. the selected program. without the Speed/Eco setting.

Eco

Energy-optimised washing by reducing the temperature while achieving a washing result that is consistent with the selected program. without the Speed/Eco setting.

Press the button to do this. First of all. you can select the Speed setting. If you press the button again. the Eco setting is active. The respective symbol is shown in the display when the setting is activated.

If you press the button again. no setting is active.



Easy-Iron

(p. Reduced Ironing. Easy-Iron p) Button depends on the model Reduces creasing by means of a special spin sequence followed by fluffing and reduced spin speed.

Water&Rinse

(ë. O. Water Plus. Rinse Plus. Aqua Plus) Button depends on the model Higher water level and additional rinse cycle for particularly sensitive skin and/ or for areas with very soft water.

Prewash

( Prewash ) Button depending on the model

For heavily soiled laundry.

Operating the appliance

Preparing the washing machine

1. Plug the mains plug into the mains.
2. Turn on the tap.
3. Open the door.



4. Check that the drum is completely empty. Empty it if necessary.

Select programme/switch on the appliance

- Use the programme selector to select the programme you require. You can turn the selector in either direction.
- The appliance is switched on.
- If the \hat{U} symbol flashes briefly, this indicates that you should run the Drum clean programme or any other programme soon at a washing temperature of at least 60 °C.
- The display panel and TimeLight (if the display on the floor has been activated and is visible) will show information
- Change the programme default settings
- You can use or change the default settings for this wash cycle.
- To do this, repeatedly press the corresponding button until the required setting is displayed.
- The settings are activated without needing to be confirmed.
- The settings are not retained after the washing machine is switched off.
- Default program settings ~ Page 34

Select additional programme settings

- By selecting additional settings, you can better adapt the washing process to the items of laundry you are washing.
- The settings can be selected or deselected depending on how far the program has progressed.
- The button indicator lights will be lit if a setting has been activated.
- The settings are not retained after the washing machine is switched off.
- Additional program settings ~ Page 35

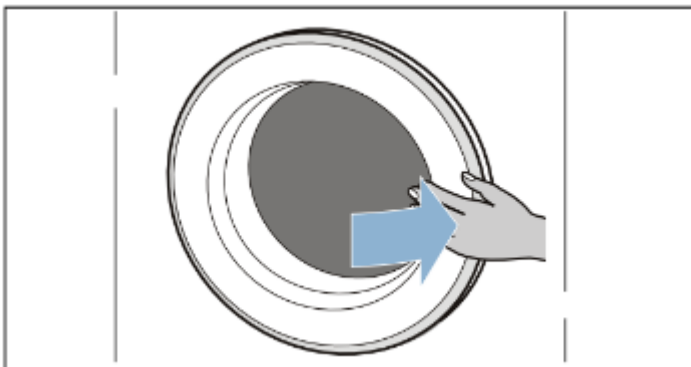
Placing laundry into the drum

Mix items of laundry of varying sizes.

Laundry items of different sizes distribute themselves better during the spin cycle. Individual laundry items may cause an unbalanced load.

Do not exceed the maximum specified load. Overfilling has an adverse effect the washing result and encourages creasing.

1. Place pre-sorted items of laundry (unfolded) in the washing machine drum.
2. Close the door.



Measure and add detergent and care products

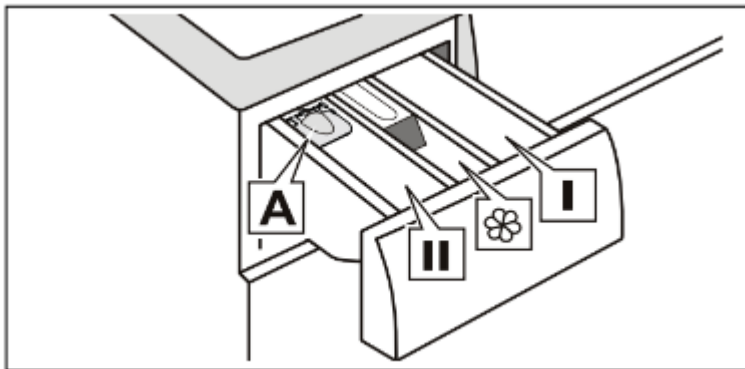
Dosing


Dose the detergents and care products according to:

- Water hardness (ask your water supply company)
- The manufacturer's instructions on the packaging
- The amount of laundry
- Soiling ~ Page 33

Filling

Pour the detergent and care products into the appropriate compartments:



- Measuring aid **A** for liquid detergent
Compartment **II** Detergent for the main wash, water softener, bleach, stain remover
Compartment  Fabric softener, liquid starch;
Do not exceed **max.** mark
Compartment **I** Detergent for prewash

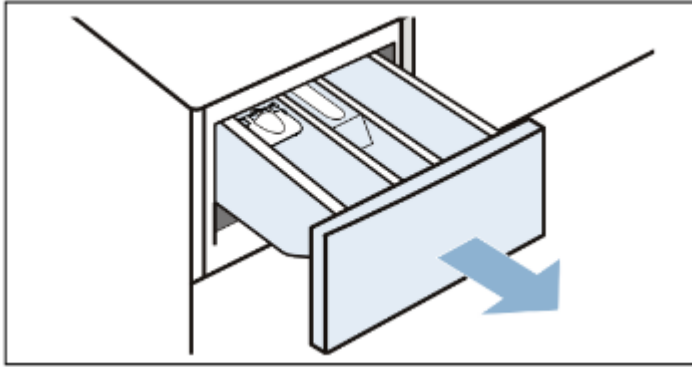
1. Pull out the detergent drawer as far as possible.
2. Add detergent and/or care products.
3. Close the detergent drawer.

Measuring aid* for liquid detergent

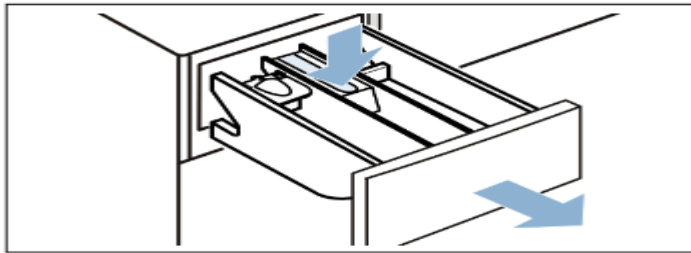
+depending on the model

Position the measuring aid for dosing the correct amount of liquid detergent:

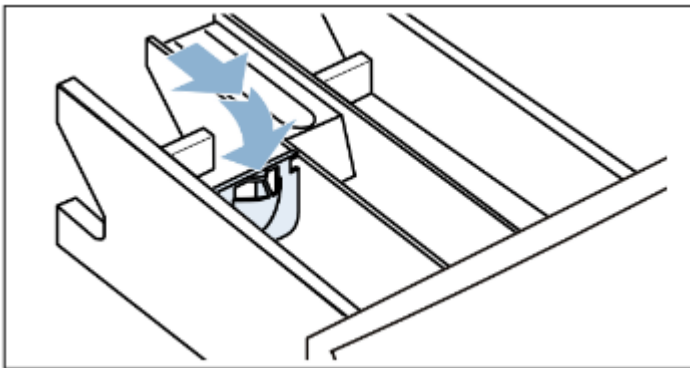
1. Pull out the detergent drawer as far as possible.



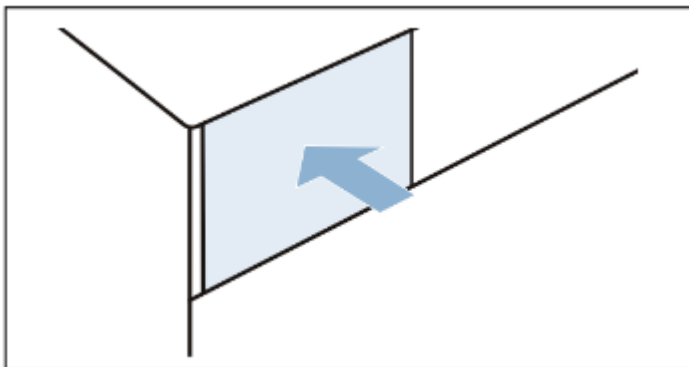
2. Press the insert down and fully remove the drawer.



3. Slide the measuring aid forwards, fold it down and click it into place.



4. Push the drawer back in.



On models without a measuring aid.

pour the liquid detergent into an appropriate dosing ball and place this in the drum.


Start the programme

Press the A button. The indicator lamp will light up and the programme will start.



The display panel and TimeLight show the "Ready in" time while the programme is running, or the programme length plus the programme progress symbols once the wash cycle has started.

Display panel ~ Page 30 TimeLight ~ Page 28

Childlock

( 3 sec.) You can lock the washing machine to prevent the functions you have set from being changed inadvertently. To do this, activate the childproof lock once the program has started.


To activate/deactivate, press and hold the Spin speed and Ready in buttons at the same time for approx. 3 seconds. The E symbol will appear on the display panel.

-  lit up: The childproof lock is active.
-  flashing: The childproof lock is active and the program selector has been adjusted. To deactivate the childproof lock, reset the program selector to the initial program. The symbol will light up again.



Adding laundry

Once the program has been started, you can add more laundry or remove laundry as required.



Press the  button to do this.

The  button indicator light will flash and the machine will check whether it is possible to add more laundry.

If



- the  symbol goes out on the display panel, it is possible to add more laundry.
- the  symbol lights up on the display panel, it is not possible to add more laundry. To resume the program, press the A button. The program will resume automatically.

Changing the programme



1. Press the  button.
2. Select a different program.
3. Press the  button. This starts the new program from the beginning.

Cancel the programme

For programs at high temperature:

1. Press the  button.
2. To cool down laundry: Select Rinse.
3. Press the  button.

For programs at low temperature:

1. Press the  button.
2. Select Spin.
3. Press the  button.

Programme end during rinse hold

- 0 appears in the display panel and the indicator lamp of the A button flashes.

Continue the program by:

Pressing the A button or

Selecting a spin speed or setting the program selector to Spin and then pressing the A button.

Programme end

End appears in the display panel and the indicator lamp of the A button is off.

The end of the programme will also be displayed on the floor if:

TimeLight (visual display) has been activated and is visible.

Energy-saving mode has not been activated. ~ Page 12

Removing laundry/switching off the appliance

1. Open the door and remove the laundry.
2. Turn the programme selector to Off \$. The appliance is now switched off.
3. Turn off the tap.

Sensors

Automatic load sensing

The automatic load sensing function adapts the water consumption ideally to each programme depending on the type of fabric and the load.

Unbalanced load detection system

The automatic unbalanced load detection system detects imbalances and ensures even distribution of the laundry by repeatedly starting and stopping drum spinning.

If the laundry is extremely unevenly distributed, the speed is reduced or the spin cycle is not performed for safety reasons.

VoltCheck

The automatic voltage control system detects an unauthorised voltage under-usage. The colon on the Ready in display is flashing. ~ Page 30

Once the supply voltage is stable again, the colon of the Ready in display lights up (Normal mode). The detected voltage under-usage is indicated in the further program sequence by all three points lighting up in the display

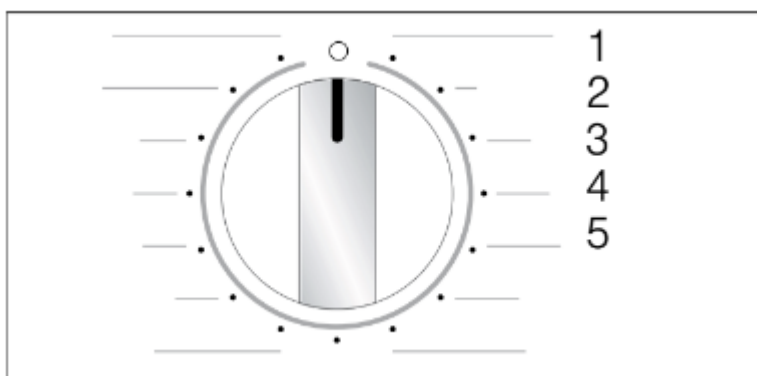


Appliance settings


You can change the following settings:

- The volume of the notification signals (e.g. at the end of the programme).
- The volume of the button signals.
- Activating/deactivating the memory function for running the Drum clean programme.
- Activating/deactivating TimeLight (for displaying information about the programme on the floor).

You will need to activate setting mode before you can change these settings.



Activating setting mode

1. Set the programme selector to position 1 Cotton. The washing machine is switched on.
2. Press the  button while turning the programme selector clockwise to position 2. Release the button.

Setting mode is activated and the preset volume for the notification signals (e.g. at the end of the programme) appears in the display panel.

Changing settings

You can change the following settings by pressing the Ready in button when the programme selector is at these positions:

- 2: The volume of the notification signals and/or
- 3: The volume of the button signals
- 4: Whether the memory function for the Drum clean programme is switched on or off and/or
- 5: Whether TimeLight (for displaying information about the programme on the floor) is switched on or off.

Exiting setting mode

You can now exit setting mode by turning the programme selector to the Off \$ position. This will save the settings.

Cleaning and maintenance:

Prevent detergent residue from building up and odours from forming by following these instructions:

- Ensure the room in which the washing machine is set up is well ventilated.
- Leave the door and detergent dispenser tray open slightly when the washing machine is not in use.
- Occasionally run a wash using the Cotton 60 °C programme and powder detergent.

Cleaning and maintenance

Machine housing/control panel

- Wipe the housing and the control panel with a soft, damp cloth.
- Remove the detergent residue immediately.
- Do not clean with a water jet.

Drum

- Use chlorine-free cleaning agents. do not use steel wool.
- If there are odours in the washing machine. or to clean the drum. run the Drum clean 90 °C or Cotton 90 °C program without laundry. Add washing powder.

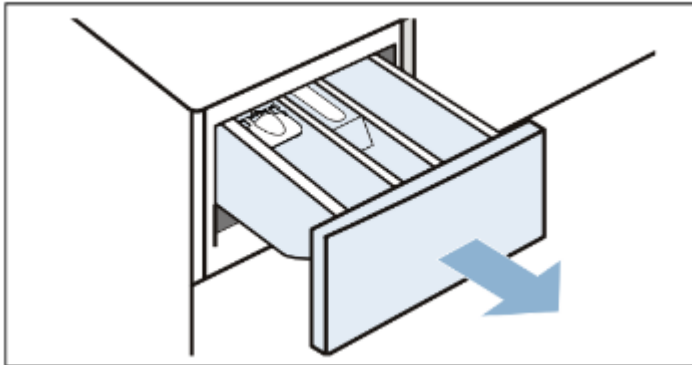
Descaling

Descaling should not be necessary if the detergent is measured out correctly. However, if it is required, follow the manufacturer's instructions for the descaling agent. Suitable descalers can be obtained via our website or from customer services. ~ Page 53

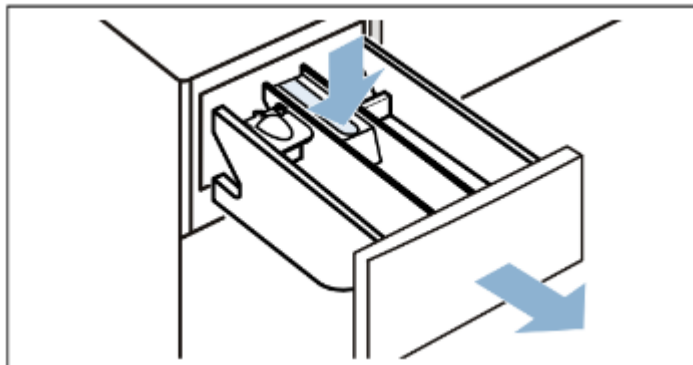
Detergent drawer and housing

If the washing machine contains detergent or fabric softener residues:

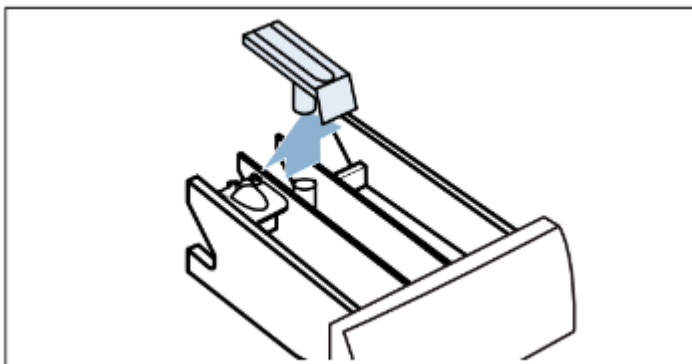
1. Pull out the detergent drawer as far as possible.



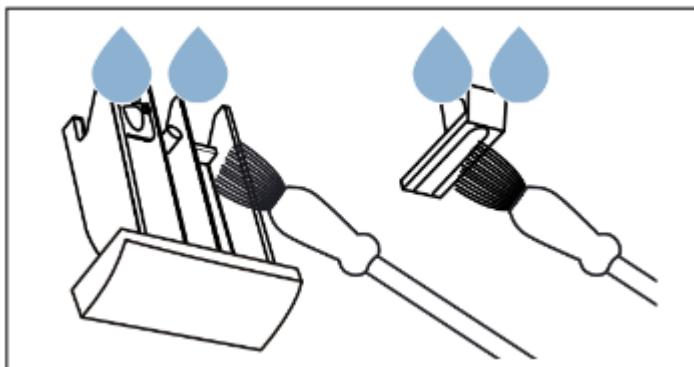
2. Press the insert down and fully remove the drawer.



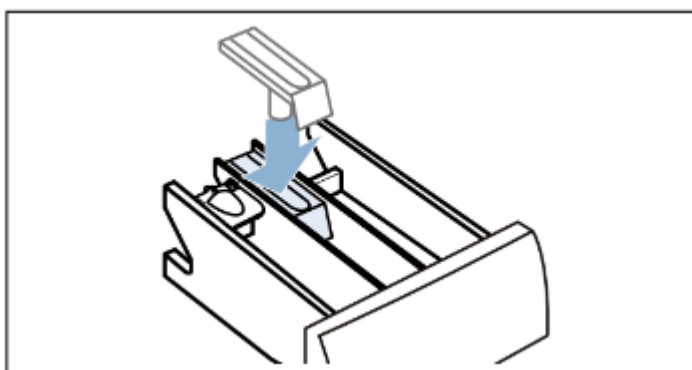
3. To remove the insert: Push the insert upwards from below with your finger.



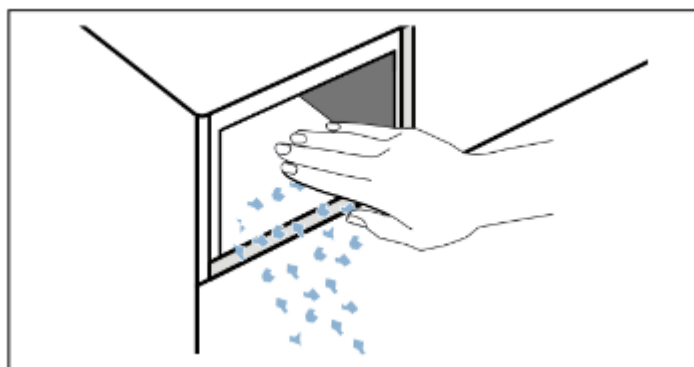
4. Clean the detergent drawer and insert with water and a brush. then dry them.



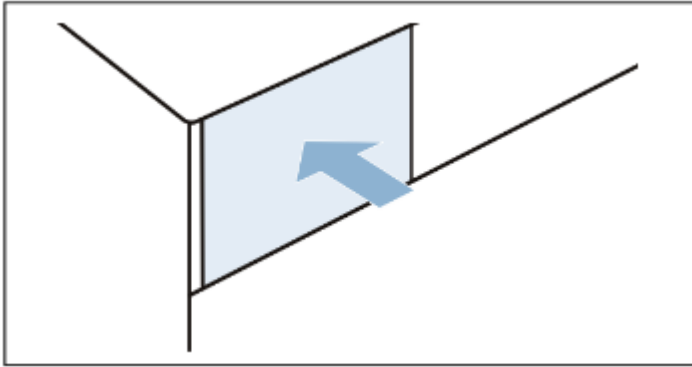
5. Fit the insert and lock it in place (push the cylinder onto the guide pin).



6. Clean the inside of the detergent drawer housing.

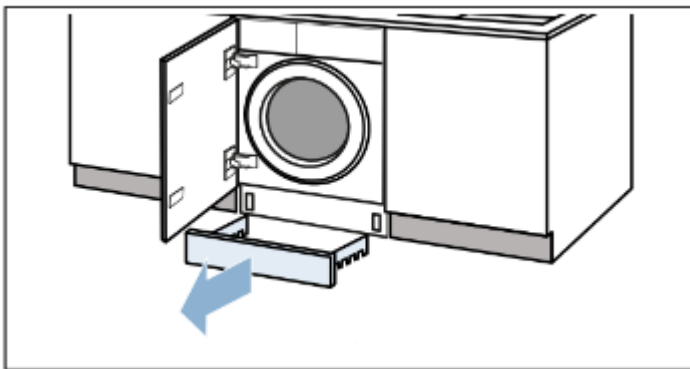


7. Push in the detergent drawer.

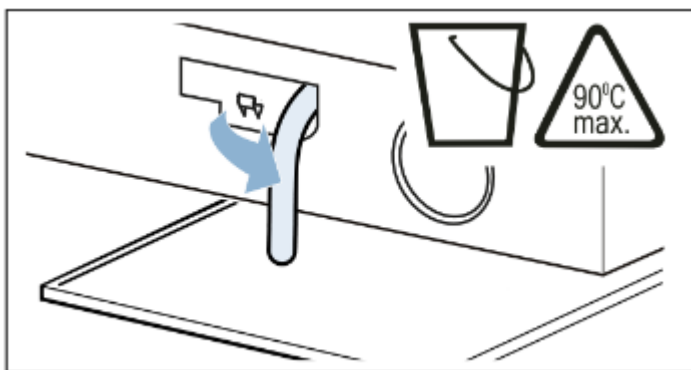


The drain pump is blocked. emergency draining

1. Turn off the tap so that no more water can flow in and it has to be drained via the drain pump.
2. Switch off the appliance. Pull out the mains plug.
3. Remove the toe kick.



4. Take the drain hose out of the holder.



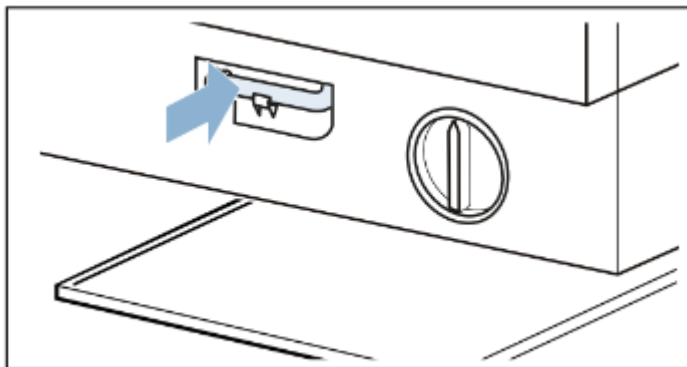
5. Remove the sealing cap and drain the water into a suitable container.



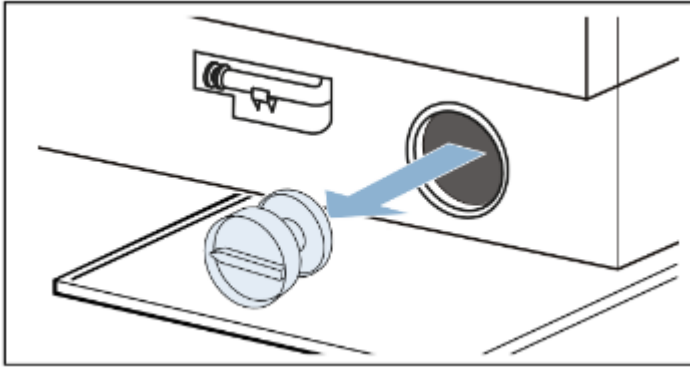
6. Put the sealing cap back on and press down firmly.



7. Place the drain hose back in the holder.

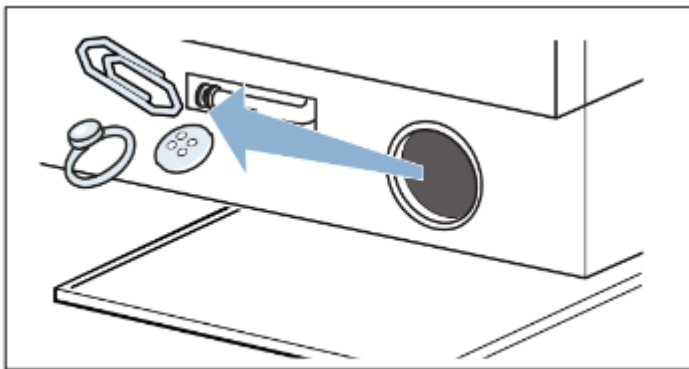


8. Carefully unscrew the pump cover.

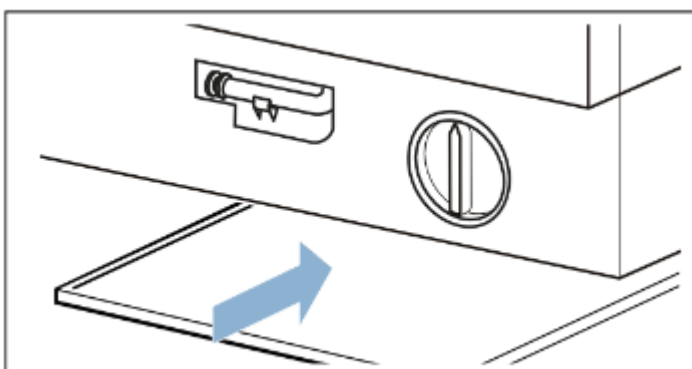


Be aware that any remaining water may leak out.

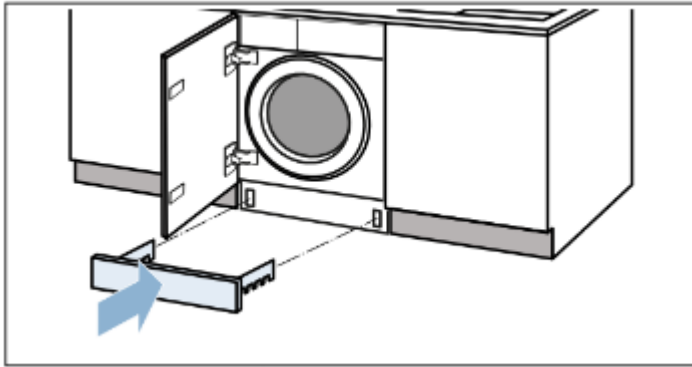
9. Clean the inside, the pump cover thread and the pump housing. The impeller in the drain pump must be able to rotate.



10. Put the pump cover back on and screw it in. The grip must be vertical.

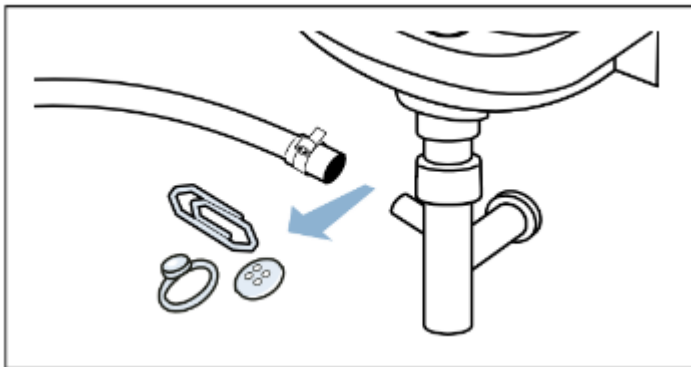


11. Refit the toe kick.



The drain hose at the siphon is blocked

1. Switch off the appliance. Pull out the mains plug.
2. Undo the hose clamp. Carefully remove the drain hose. Be aware that any remaining water may leak out.
3. Clean the drain hose and siphon connecting piece.



4. Re-attach the drain hose and secure the connection point using the hose clamp.

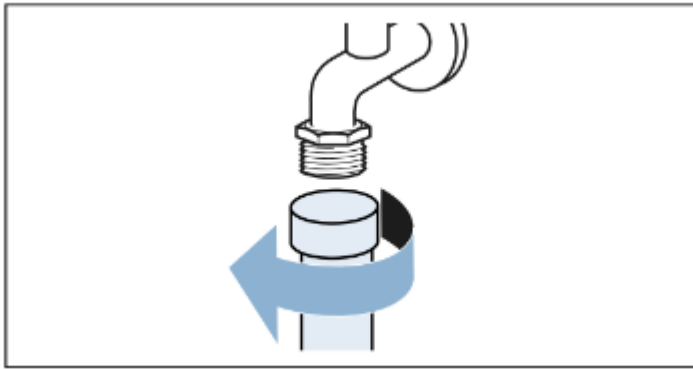
Filter in the water supply blocked

Relieve the water pressure in the supply hose first:

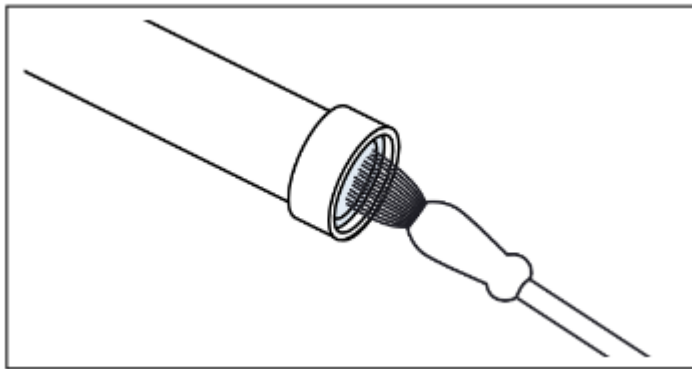
1. Turn off the tap.
2. Select any programme (except Rinse/Spin/Empty).
3. Start the programme.
4. Allow the programme to run for approximately 40 seconds. then switch off the appliance.
5. Pull out the mains plug.

Then clean the filter:

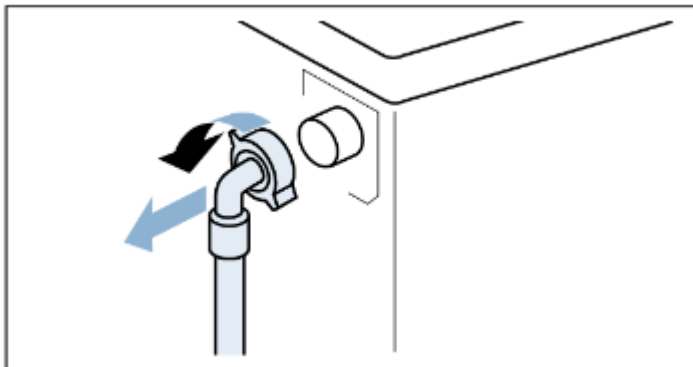
1. Disconnect the hose from the tap.



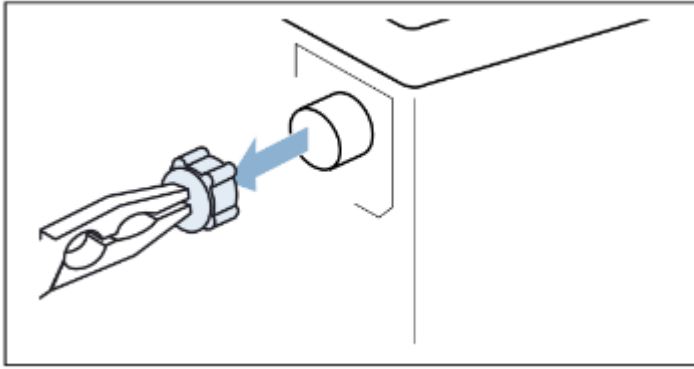
2. Clean the filter with a small brush.



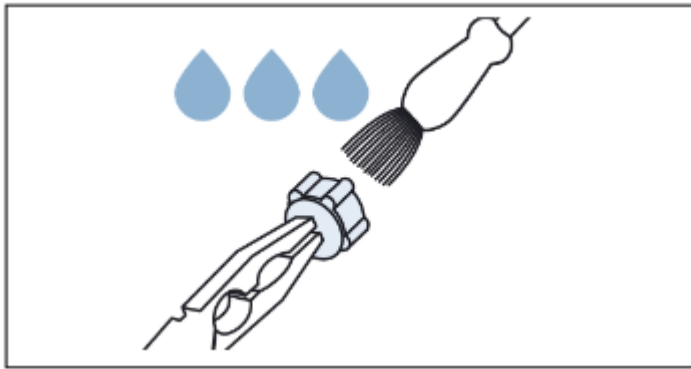
3. For standard and AquaSecure models. clean the filter on the rear of the appliance:
Disconnect the hose from the rear of the appliance.



4. For standard and AquaSecure models. clean the filter on the rear of the appliance:
a) Use pliers to remove the filter.



b) Clean the filter



5. Connect the hose and check for leaks.

Faults and what to do about them

Emergency release

If the laundry needs to be removed, however, the door can be opened as follows:

Information on the display panel

Indicator/symbol Cause/remedy

Ö has lit up The temperature is too high. Wait until the temperature drops.

The water level is too high. It is not possible to add laundry. Close the door immediately, if necessary. Press the A button to continue the programme.

Ö is flashing Laundry may be caught. Open and close the door again and press the A button.

If necessary, push the door closed or remove the trapped laundry and then push it closed again.

If necessary, switch the appliance off and on again; select a programme and configure the settings; start the programme.

The supply hose is kinked/trapped.

The water pressure is too low. Clean the filter. ~ Page 47

The childproof lock is activated – deactivate it. ~ Page 39

Å has lit up Too much foam has been detected and an additional rinse cycle has been activated. Add less detergent to the next washing cycle with the same load.

: the "Ready in" time is flashing

The mains voltage is too low.

Undervoltage during the wash programme.

The length of the programme will be extended. ~ Page 42

E:18 The drain pump is blocked. Clean the drain pump. ~ Page 46

The drain hose/drain pipe is blocked. Clean the drain hose at the siphon. ~ Page 47

E:23 There is water in the base trough; the appliance is leaking. Turn off the tap. Call our after-sales service.

E:32 is flashing alternately with End at the end of the programme.

Not a fault – the unbalanced load detection system has interrupted the spin cycle because the laundry is unevenly distributed.

Distribute small and large items of laundry evenly in the drum. Run the spin cycle again if necessary.

Û is flashing Run the 90 °C Drum clean programme or a 60 °C programme to clean and care for the drum and the outer tub.

Notes

Run the programme without laundry.

Use a type of washing powder or detergent that contains bleach. To prevent foaming, only use half the amount of detergent recommended by the detergent manufacturer. Do not use detergent designed for woollens or delicates.

Switch the notification signal on/off

Other indicators/ symbols

Switch off the appliance. wait for 5 seconds and then switch it back on. If the indicator/symbol appears again. call our after-sales service.

Faults and what to do about them. en

Faults and what to do about them.

Symbol in TimeLight (display on the floor):

Cause/remedy

A fault has occurred ~ See "E" above:

See symbol above

See symbol above

Faults Cause/remedy

Water is leaking from the machine.

Attach the drain hose correctly or replace it.

Tighten the threaded joint on the supply hose.

The machine is not filling with water.

Detergent is not being dispensed.

Have you pressed the A button?

Is the tap turned on?

Could the filter be clogged? Clean the filter. ~ Page 47

Is the supply hose kinked or trapped?

The door will not open. The safety function is activated. Do you want to stop the programme? ~ Page 40

Is the childproof lock E activated? Deactivate it. ~ Page 39

Is "- - -" selected (Rinse Stop = no final spin)? ~ Page 40

Can the door only be opened using the emergency release? ~ Page 49

The programme will not start.

Have you pressed the A button?

Is Ready in selected?

Is the door closed?

Is the childproof lock E activated? Deactivate it. ~ Page 39

The drum briefly jerks or judders after the programme has started.

Not a fault – the internal motor test may cause the drum to jerk or judder briefly when the wash programme starts.

The water is not draining. Is "- - -" selected (Rinse Stop = no final spin)? ~ Page 40

Clean the drain pump. ~ Page 46

Clean the drain pipe and/or the drain hose.

Water is not visible in the drum.

Not a fault – the water is below the visible area.

The spin result is not satisfactory.

Laundry is wet/too damp.

Not a fault – the unbalanced load detection system has interrupted the spin cycle because the laundry is unevenly distributed.

Distribute small and large items of laundry evenly in the drum.

Is Anti-crease (depending on the model) selected? ~ Page 35

Is the selected speed too low?

The spin cycle runs several times.

Not a fault – the unbalanced load detection system is adjusting an imbalance.

The programme is taking longer than usual.

Not a fault – the unbalanced load detection system is adjusting an imbalance by repeatedly redistributing the laundry.

Not a fault – the foam detection system has activated an additional a rinse cycle.

The length of the programme changes during the wash cycle.

Not a fault – the programme sequence is optimised for the specific washing process. This may change the length of the programme shown in the display panel.

There is water remaining in the care product compartment i .

Not a fault – the effectiveness of the care product is not affected.

Clean the insert if necessary.

Odours in the washing machine.

Run the 90 °C Drum clean or 90 °C Cotton programme without laundry.

Add standard washing powder or a detergent that contains bleach.

Note:.. To prevent foaming, only use half the amount of detergent recommended by the detergent manufacturer. Do not use detergent designed for woollens or delicates.

The Å symbol is lit on the display panel. Foam may also be leaking from the detergent drawer.

Have you used too much detergent?

Mix one tablespoon of fabric softener with 1/2 litre of water and pour it into compartment II (not suitable for outdoor clothing, sportswear or items filled with down).

Use less detergent in the next wash cycle.

Loud noises, vibrations and machine "wandering" during the spin and/or drain cycles.

Is the appliance level? Level the appliance. ~ Page 19

Are the appliance's feet secured? Secure appliance's feet. ~ Page 19

Have the transport locks been removed? Remove the transport locks. ~ Page 16

The display panel/ indicator lights do not work while the appliance is running.

Has there been a power failure?

Have the fuses blown/has the circuit breaker tripped? Switch on the circuit breaker/replace the fuses.

If the fault occurs repeatedly, call our after-sales service.

There is detergent residue on the laundry.

Some phosphate-free detergents contain water-insoluble residue.

Select Rinse or brush the laundry after washing.

The O symbol is lit in the display panel when paused.

The water level is too high. It is not possible to add laundry. Close the door immediately, if necessary.

Press the A button to continue the programme.

The O symbol in the display panel is off when paused.

The door is unlocked. It is possible to add laundry.

TimeLight (display on the floor) will not light up.

Has Timelight been activated? ~ Page 43

Energy saving mode is active. ~ Page 12

Has there been a power failure?

If you cannot rectify a fault yourself (after switching the machine off and then on again) or a repair is required:

Switch off the appliance and pull the mains plug out of the socket.

Turn off the tap and our after-sales service.

Faults Cause/remedy

After-sales service en

4 After-sales service

After-sales serviceIf you cannot rectify a fault yourself, contact customer services. ~ Cover page

We will always find an appropriate solution in order to avoid unnecessary visits by engineers.

Please give customer services the product number (E no.) and the production number (FD) of the appliance.

You can find this information

+depending on the model: On the inside of the door*/in the opened service flap* and on the rear of the appliance.

Trust the expertise of the manufacturer.

Contact us for assistance. By doing so, you will ensure that the repairs are carried out by trained service personnel using genuine spare parts.

E no.

Product number FD Production number

J Technical data

Technical data Weight: 75 - 84 kg (depending on the model) Mains connection: Nominal voltage 220 - 240 V. 50 Hz Nominal current 10 A Nominal power 1900 - 2300 W Water pressure: 100 - 1000 kPa (1 - 10 bar) Power consumption when switched off: 0.12 Power consumption when left on: 0.50

Aqua-Stop warranty en

Aqua-Stop warranty Only for appliances with Aqua-Stop

In addition to warranty claims against the vendor based on the purchase agreement and to our appliance warranty, we will provide compensation under the following conditions: 1. If water damage is caused due to a fault in our Aqua-Stop system, we will compensate domestic customers for the damage caused.

2. The liability guarantee is valid for the service life of the appliance.

3. It is a prerequisite of all warranty claims that the appliance with Aqua Stop must have been installed and connected correctly in accordance with our instructions; this also includes a correctly fitted Aqua-Stop extension (genuine accessories).

Our warranty does not cover defective feed lines or fittings leading to the Aqua-Stop connection at the tap.

4. Appliances with Aqua-Stop do not need to be supervised during operation, nor secured afterwards by turning off the tap.

The tap only needs to be turned off if you are away from home for a long period, e.g. for several weeks' holiday.

+9001276787*

9001276787 en 9807

Repair order and advice in the event of faults

You can find the contact information for all countries in the attached after-sales service directory:

GB 0344 892 8989 Calls charged at local or mobile rate.

IE 01450 2655 0.03 € per minute at peak.

Off peak 0.0088 € per minute.

Warning

This content is compiled from multiple sources and is provided for reference purposes only. It may not be complete or fully applicable to all situations. If you are unable to resolve your issue, please contact the product manufacturer or an authorized service provider for official support.

Document generated by [ManualsFile](#)