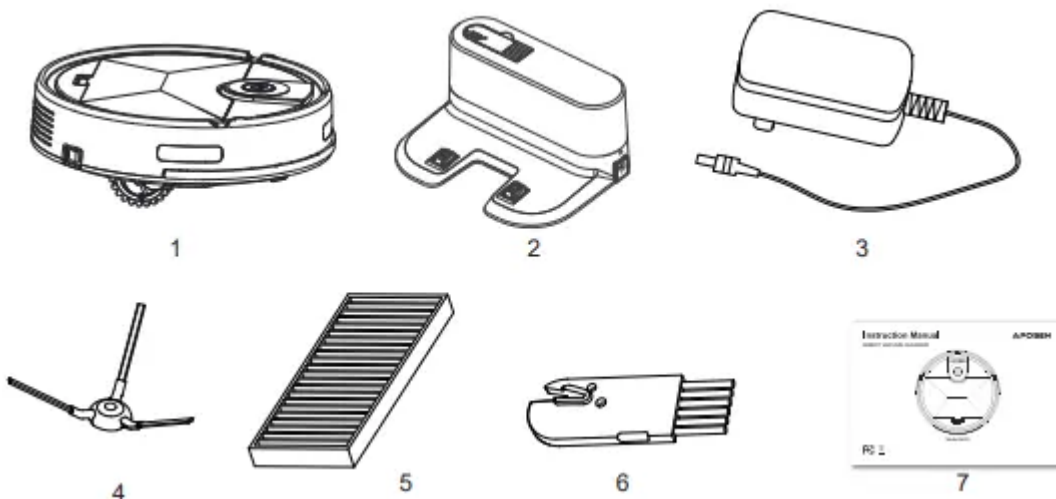


User manual Robot Vacuum Cleaner

Product Instruction

What's in the box

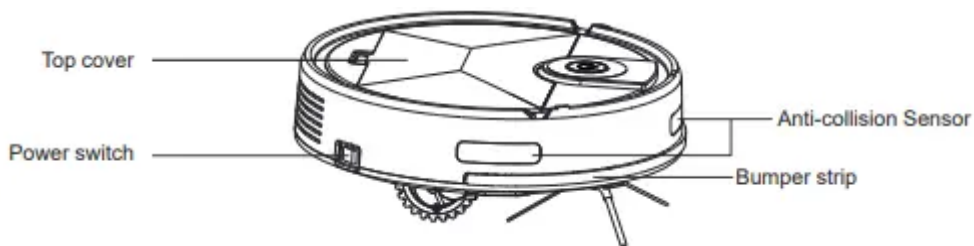
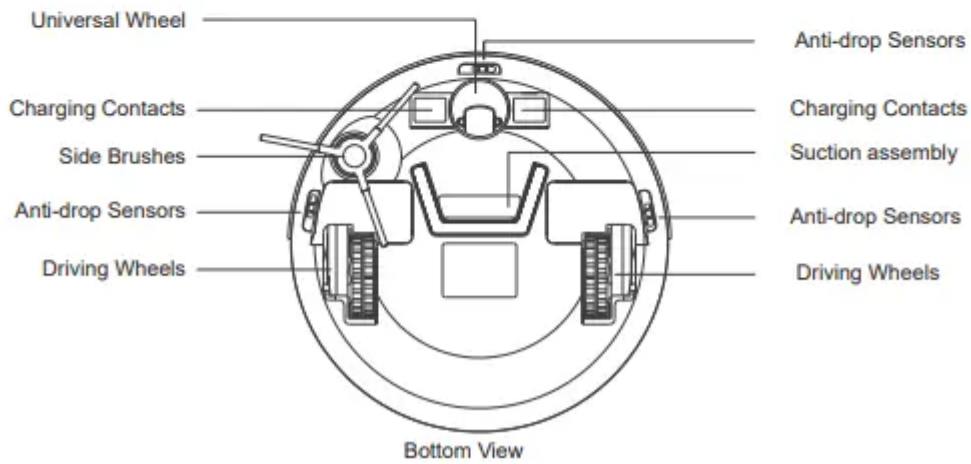
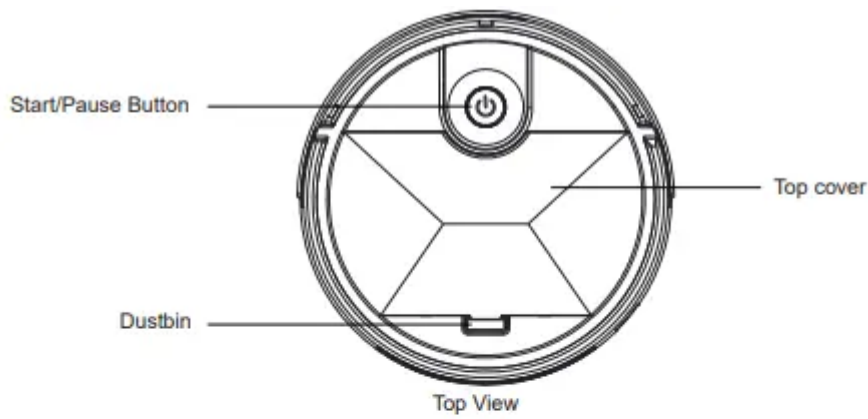
1. Robot Vacuum	3. Power Adapter	5. HEPA X 1	7. Instruction Manual
2. Charging Base	4. Side Brushes X 2	6. Clean Brush	



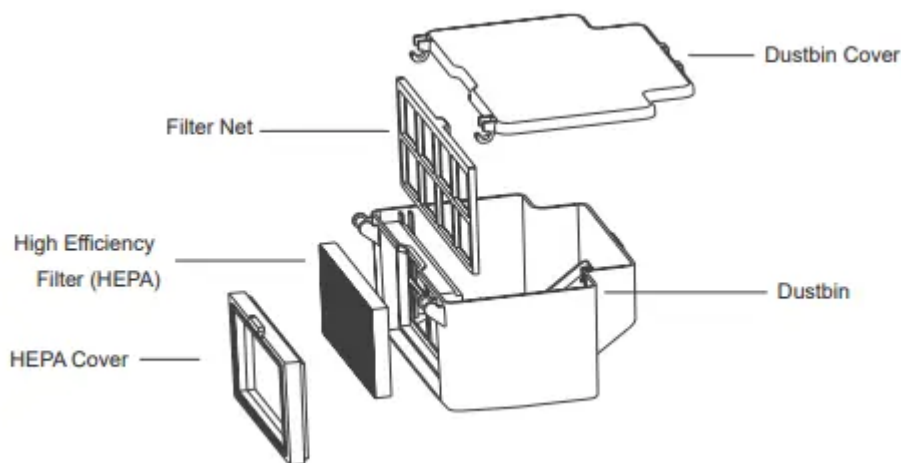
Assembly Name

Master

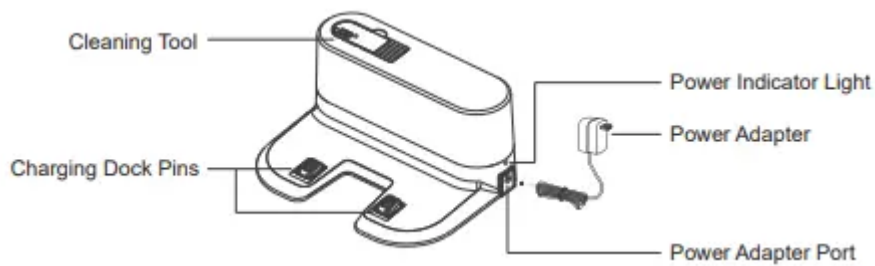






Dust box



Changing Stand Assembly



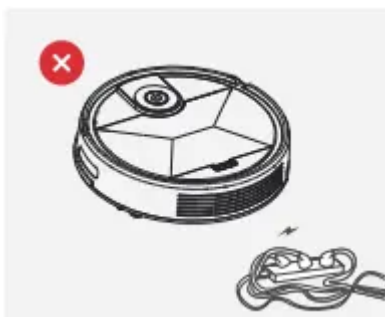
Parameter

	Product Model	A200
	Input	100-240V/50-60Hz
	Power	12W
	Battery Capacity	Li-ion 1800mAh
	Dust Box Capacity	0.6L
	Cleaning Time	90 mins
	Charging Time	3.5H
	Input	100-240V/50-60Hz
	Output	19V / 0.6A

Attention

Considerations

Please refer to the following guidelines to check the cleaning area before the cleaner works.



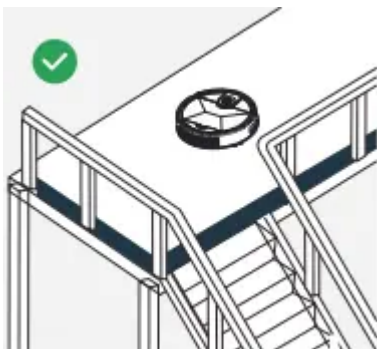
1. Power lines and other debris scattered on the ground may trip up product must be removed.



2. Please roll the carpet tassels or work on short-hair rugs.



3. A gap of less than 8 cm on the bottom of the furniture may catch the product. If you need to clean it, please remove the furniture.

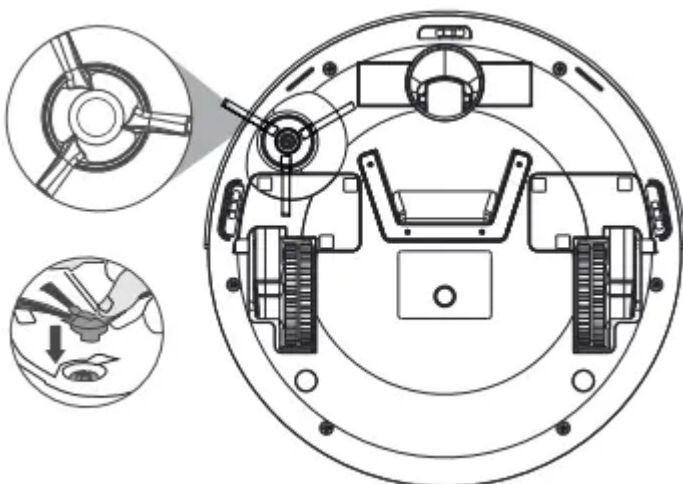


4. A guardrail should be placed at the edge of the duplex to ensure safe operation of the product.

Rapid Operation

Install The Side Brushes

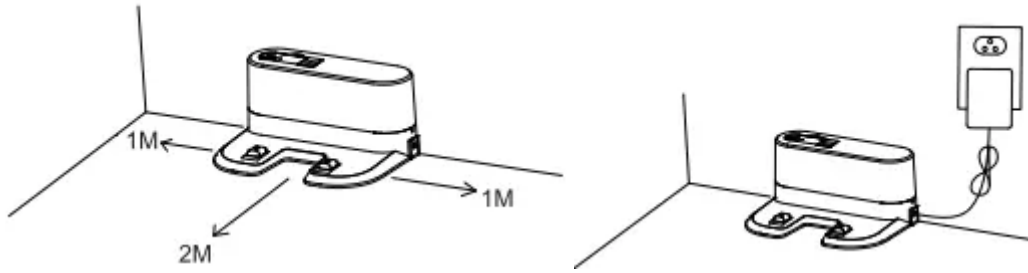
Please install the brush into the bottom mounting port of the machine and ensure that the brush is in place.



Charging Operation

1. Connect the adapter to the charging stand.

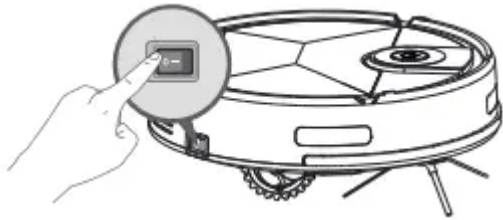
Place the charging stand flat against the wall. Do not place objects in the left and right 1M and the front 2M, and do not have objects with strong reflection surfaces such as mirrors.



2. Turn On The Master

Turn on the side power switch, “I” is the turn, “O” is the turn off.

After the master finishes working, it is recommended not to shut down; keep the master in a state of charge so that it can perform its next job better.



3. Master Charge

Place the master in the charging stand and pay attention to the charging pole piece.

Turn on the power switch, the robot will enter standby mode.

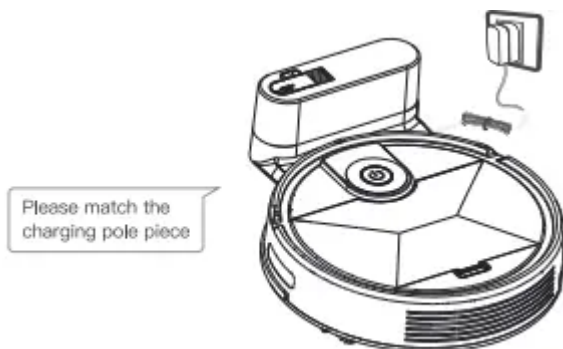
⏻ Red light flashes indicates that the battery need to be charged.

⏻ Blue light breathing light flashes indicate charging.


When the ⏻ blue light is off means charging is completed.



For the first use, please charge continuously for more than 6 hours.


Note: Please match the charging pole piece.



Start/Stop Cleaning

1. Start or stop by pressing the master's  key.

Note: Before starting the mode, make sure that the outer ring of the  key is blue and the master is in the state of being awakened. If the master does not wake up, short press the master  to wake it up.

The master enters the sleep state after 10 minutes of standby, and the  key light is off.

2. Double press the master's to make it return for charging.

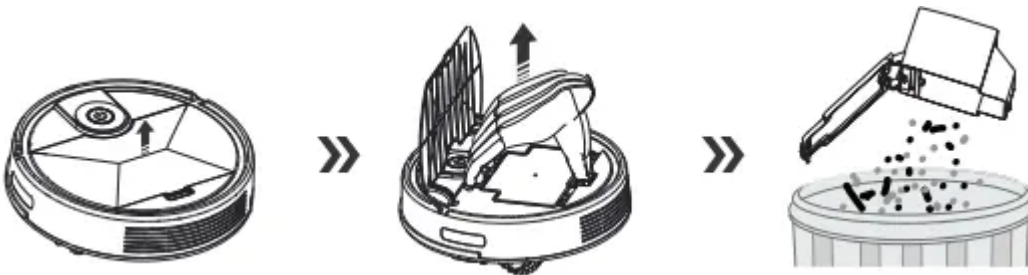


Maintenance

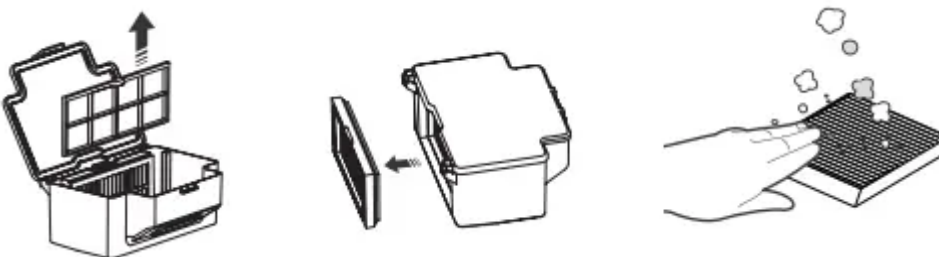
Dust Bin and Filters

Open the middle cover to take out the dustbin, open the dustbin cover and empty the garbage.

1 Remove the dustbin, open the dustbin cover, and empty the Dust Bin.



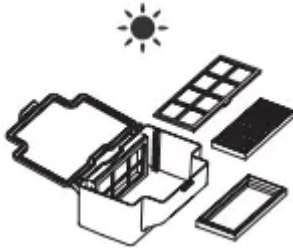
2 Remove dust filter. HEPA is not recommended for washing. Pat the High Efficiency Filter clean.



3 Flush the Dustbin and the filter net.



4 Dry the Sponge filter, Dust Bin and Filter Net completely before reinstalling.



Side Brush

Cleaning Side Brush

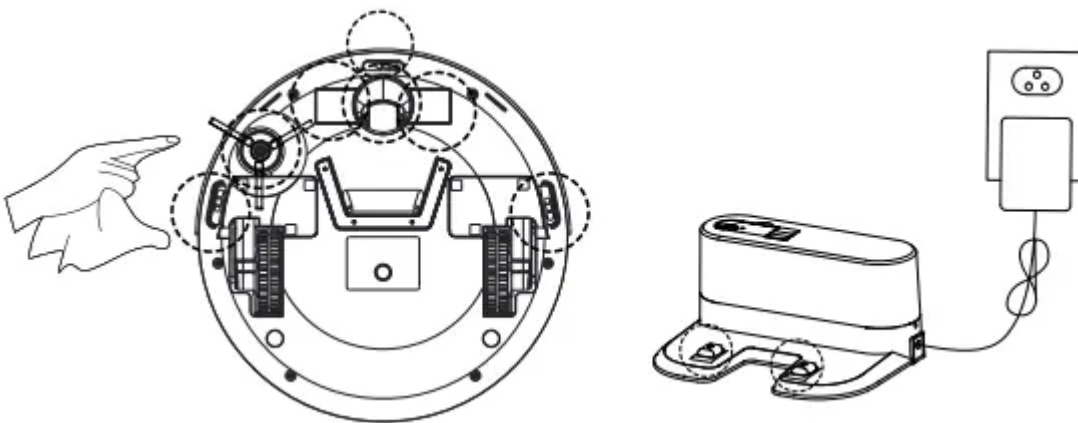
Pull out the side brush and wipe it with a clean rag.

Other Assembly

Cleaning the universal wheel to reduce hair entangle.

Clear down the sensor to ensure the sensitivity of the sensor.

To clean the charging pole pieces, use a dry rag to clean the charging poles on the bottom of the master or the charging stand.



If you will not use the product for a long time, please remove the battery and keep it in a safe place. If the battery leaks, remove the battery and wipe the battery compartment clean.

This product uses a high-life battery and does not require frequent replacement. If you need to replace, you can contact our company for after-sales service replacement.

Lighting effect and alarm

Indicator Light

Cleaner Status	AUTO Display Status
Charging	Pink light/blue light breathing
Finished Charging	Blue lights goes off
When the Robot Fails	Red light flashes or Glows a continuous RED
Low Battery	Glows a continuous RED
Cleaning Mode	Glows a continuous BLUE

Alarm tips

When the robot fails, the robot indicator flashes red and a beeping sound of varying lengths is emitted. Refer to the following table to query the cause of the failure:

Red Light Glows a continuous RED			
Nr	Cause of issue	Beeps	Error prompts and solutions
1	Driven wheel abnormal	1 beep 3times	The driving wheel is abnormal. Please check whether the driving wheel is entangled and clean the driving wheel.
2	Side brush abnormal	2 beep 3times	The side brush is abnormal, please check if the side brush is entangled, and clean the side brush
3	Motor fan abnormal	3 beep 3times	The motor fan is abnormal. Please clean the garbage and air duct in the dust box.

Red light flashes			
1	Anti-fall detection alarm	2 beep 3times	The robot is floating, please move to the ground
2	Out of trouble alarm	3 beep 3times	Get out of trouble failure, please move to an open area.
3	Low Battery	4 beep 3times	Battery is too low,
4	Power Adaptor	5 beep 3times	Charging voltage is abnormal, please replace the adapter
5	Charging abnormal	6 beep 3times	Charging is abnormal, please check if the switch is on

FAQ

Please install the right brush into the right bottom mounting port of the machine, the left brush into the left bottom mounting port of the machine, and ensure that the two side brushes are in place.

Q : What should I do when it can not work on the carpet ?

A : We don't suggest you make it clean the carpet. It's better for you to set the barrier around the carpet on the app.

Q : What if the strength of vacuuming is weak?

A : First of all, check whether the dust bin is full and the robot is full charged. If it does, you can try to switch it to the higher mode. For litter which is difficult to collector, try to clean it with Spot Cleaning Mode.

Q: What if my charger has difficulties charging the robot?

A : 1. Please make sure you turn on the charging stand before charging and check if the electrical sheet is connected to the charging stand(Put it back manually or press the Power button when the robot is 1 meter in front of the charging stand.)

You can also charge the master by the adapter directly.

Q : What if the robot can not find the charging stand?

A : The charging stand should be placed against the wall with at least 1 meter clearance each side and 2 meters in front .Sometimes you can just put it back manually.

Q: Why does the master return to charging after cleaning?

A: The working time of the master varies depending on the complexity of the room, the amount of garbage and the cleaning mode.

Warning

This content is compiled from multiple sources and is provided for reference purposes only. It may not be complete or fully applicable to all situations. If you are unable to resolve your issue, please contact the product manufacturer or an authorized service provider for official support.

Document generated by [ManualsFile](#)

