

## REFRIGERATOR USE

### Using the Controls

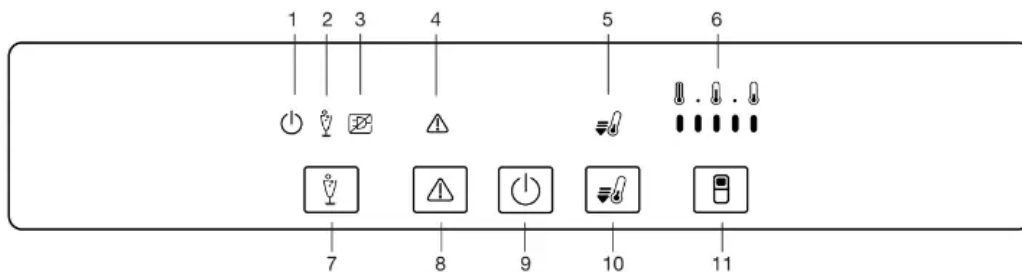
The control panel is located at the top front of the refrigerator compartment.

#### IMPORTANT:

- After you plug in the refrigerator, it automatically begins to cool.
- The indicator LEDs on the control panel light up for approximately 1 second, and following the initialization process the temperature set point is displayed.
- The controls are set correctly when milk or juice is as cold as you like and when ice cream is firm.
- Wait at least 24 hours for your refrigerator to cool completely before adding food. If you add food before the refrigerator has cooled completely, your food may spoil.

**NOTE:** Adjusting the refrigerator and freezer temperature controls to a colder than recommended setting will not cool the compartments any faster.

- If the temperature is too warm or too cold in the refrigerator or freezer, first check the air vents to be sure they are not blocked before adjusting the controls.



- |                              |                                     |
|------------------------------|-------------------------------------|
| 1. ON/STANDBY indicator      | 7. PARTY MODE button                |
| 2. PARTY MODE indicator      | 8. STOP ALARM button                |
| 3. BLACK OUT ALARM indicator | 9. ON/STANDBY button                |
| 4. STOP ALARM indicator      | 10. FAST FREEZE button              |
| 5. FAST FREEZE indicator     | 11. REFRIGERATOR TEMPERATURE button |
| 6. TEMPERATURE DISPLAY       |                                     |

### Functions

#### On/Standby

To put the product in Stand-by mode, press and hold the On/Standby button for 3 seconds. All the indicators turn off except On/Standby indicator.

Press again to reactivate

### **Party Mode**

Press the Party Mode button to activate/deactivate the Party Mode function. Use this function to chill drinks inside the freezer compartment.

**IMPORTANT:** Do not leave inside the freezer compartment longer than the function is active (30 minutes).

### **Fast Freeze**

The use of this function is recommended when placing a very high quantity of food to be frozen in the freezer compartment. 24 hours before freezing press the Freezer button to activate the Fast Freeze function. When activated, the Fast Freeze indicator turns on. After 24 hours, place the food to be frozen in the middle of the freezer compartment. The function is automatically disabled after 48 hours, or can be manually disabled by pressing the Fast Freeze button.

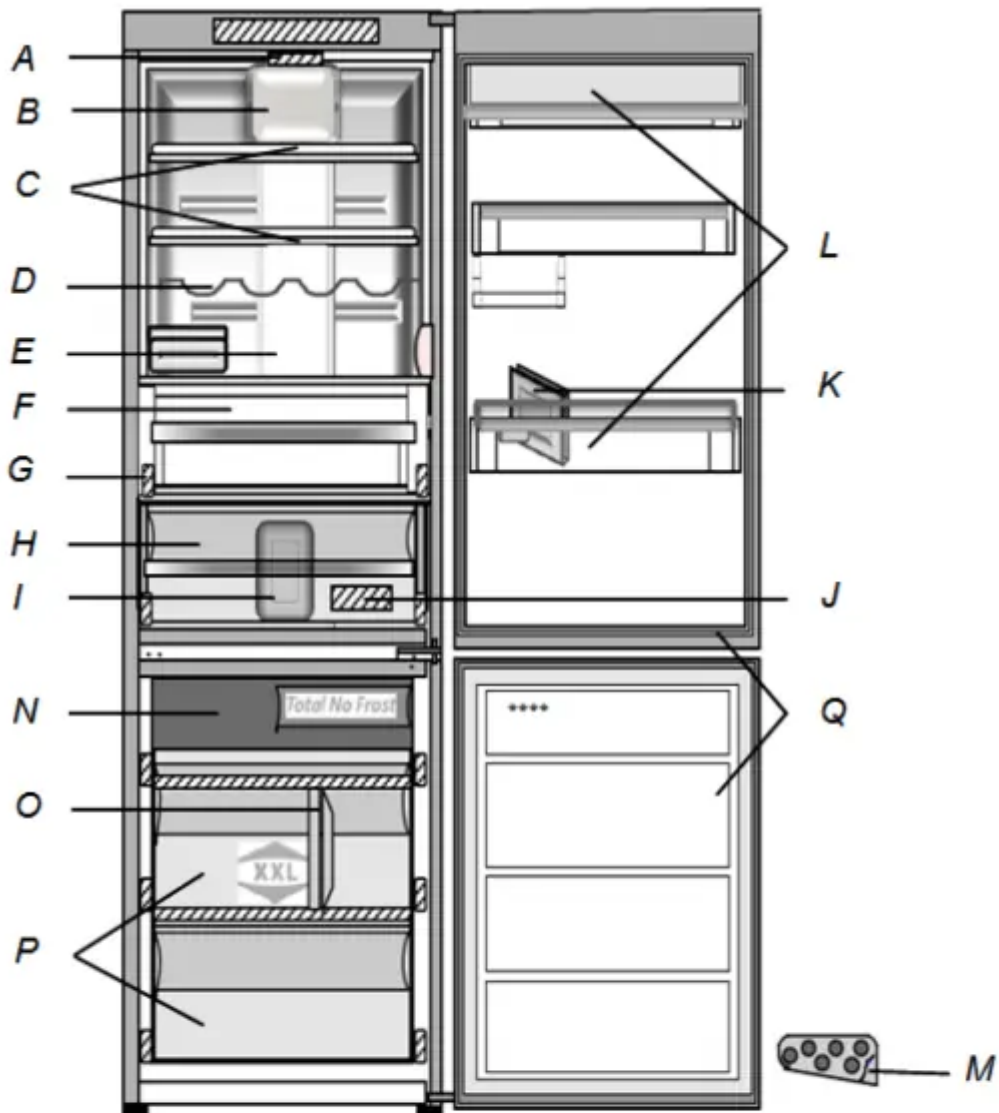
### **Refrigerator Light**

The light system inside the refrigerator compartment uses LED lights, allowing for better lighting as well as a very low energy consumption.

If the LED light system does not work, please contact a Service Provider to arrange for repair.

**IMPORTANT:** The refrigerator compartment light switches on when the refrigerator door is opened. If the door is kept open for more than 10 minutes, the light will automatically be switched off.

## REFRIGERATOR FEATURES



- |                                |                                       |
|--------------------------------|---------------------------------------|
| A. LED lighting                | J. Reversibility kit                  |
| B. Fan                         | K. Separator                          |
| C. Shelves                     | L. Door trays                         |
| D. Bottle rack                 | M. Egg tray                           |
| E. Multi-flow cold air system  | N. Upper basket (Total No Frost zone) |
| F. Cooler compartment (meat)   | O. Drawer Divider                     |
| G. Rating plate                | P. Shelves                            |
| H. Fruit and vegetable crisper | Q. Door seals                         |
| I. Refrigerator Drawer Divider |                                       |

### Refrigerator Shelves

The shelves and door trays in your refrigerator are removable and adjustable to meet your storage needs.

#### NOTES:

- Storing similar food items together in your refrigerator and adjusting the shelves to fit different heights of items will make finding the exact item you want easier. It

will also reduce the amount of time the refrigerator door is open, and save energy.

- The refrigerator interior parts are not dishwasher safe.

## **Glass Shelves**

### **Important information to know about glass shelves and covers:**

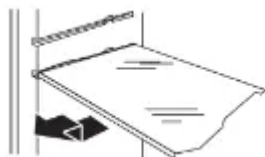
Do not clean glass shelves or covers with warm water when they are cold. Shelves and covers may break if exposed to sudden temperature changes or impact, such as bumping. Tempered glass is designed to shatter into many small, pebble-size pieces. This is normal. Glass shelves and covers are heavy. Use both hands when removing them to avoid dropping.

### **To remove a shelf:**

1. Remove items from the shelf.
2. Slide the shelf straight out to the stop.
3. Lift the back of the shelf past the stop. Pull the shelf out the rest of the way.

### **To replace a shelf:**

1. Slide the back of the shelf into the track in the wall of the cabinet.
2. Guide the front of the shelf into the shelf track. Be sure to slide the shelf in all the way.

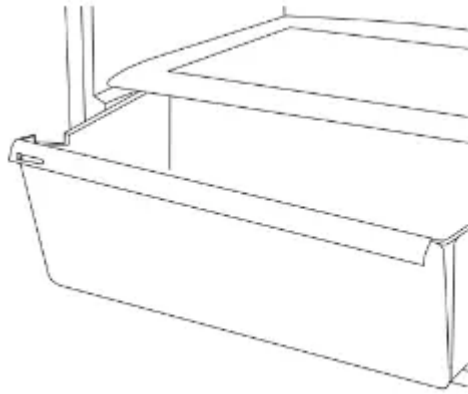


## **Cooler Compartment (on some models)**

The cooler compartment is the optimum place to store fresh meat, poultry and fish

### **To remove and replace the drawer:**

1. Slide drawer straight out to the stop. Lift the drawer from the slide rails and pull out the rest of the way.
2. Replace the drawer by placing it on the slide rails and pushing it back into position past the drawer stop.



## Fan

The fan improves temperature distribution inside the refrigerator compartment, allowing better preservation of stored food. By default, the fan is on.

**NOTES:** Do not block the air intake area.



## Freezer Compartment

To increase storage space and for larger items, the freezer compartment can be used without the baskets. Remove the baskets and place the items directly on the glass shelves.

## REFRIGERATOR CARE

### Cleaning



Periodically clean the appliance with a cloth and a solution of lukewarm water and neutral detergent specifically for refrigerator interiors.

Clean the outside of the appliance and the door seal with a damp cloth and dry with a soft cloth.

**IMPORTANT:**

- Because air circulates between both sections, any odors formed in one section will transfer to the other. You must thoroughly clean both sections to eliminate odors. To avoid odor transfer and drying out of food, wrap or cover foods tightly.
- For stainless steel models, stainless steel is corrosion resistant but not corrosion-proof. To help avoid corrosion of your stainless steel, keep your surfaces clean by using the following cleaning instructions.
- The buttons and control panel display must not be cleaned with alcohol or alcohol-derived substances, but with a dry cloth.
- The refrigeration system pipes are located near the defrost pan and can become hot. Periodically clean them with a vacuum cleaner.

**Cleaning the Refrigerator**

**NOTE:** Do not use abrasive or harsh cleaners such as window sprays, scouring cleansers, flammable fluids, muriatic acid, cleaning waxes, concentrated detergents, bleaches or cleansers containing petroleum products on exterior surfaces (doors and cabinet), plastic parts, interior and door liners or gaskets. Do not use paper towels, scouring pads, or other harsh cleaning tools.

1. Unplug refrigerator or disconnect power.
2. Hand wash, rinse, and dry removable parts and interior surfaces thoroughly. Use a clean sponge or soft cloth and a mild detergent in warm water.
3. Clean the exterior surfaces.

**Painted metal:** Wash painted metal exteriors with a clean, soft cloth or sponge and a mild detergent in warm water. Rinse surfaces with clean, warm water and dry immediately to avoid water spots.

**Stainless steel:** Wash stainless steel surfaces with a clean, soft cloth or sponge and a mild detergent in warm water. Rinse surfaces with clean, warm water and dry immediately to avoid water spots.

**NOTE:** When cleaning stainless steel, always wipe in the direction of the grain to avoid cross-grain scratching.

4. There is no need for routine condenser cleaning in normal home operating environments. If the environment is particularly greasy or dusty, or there is significant pet traffic in the home, the condenser should be cleaned every 2 to 3 months to ensure maximum efficiency. If you need to clean the condenser, use a vacuum cleaner.
5. Plug in refrigerator or reconnect power.



## Defrosting

### NO-FROST REFRIGERATOR COMPARTMENT:

Refrigerator compartment defrosting is completely automatic.

The defrost water is automatically run into a drain hole hidden behind Multi-flow and collected in a container, where it evaporates

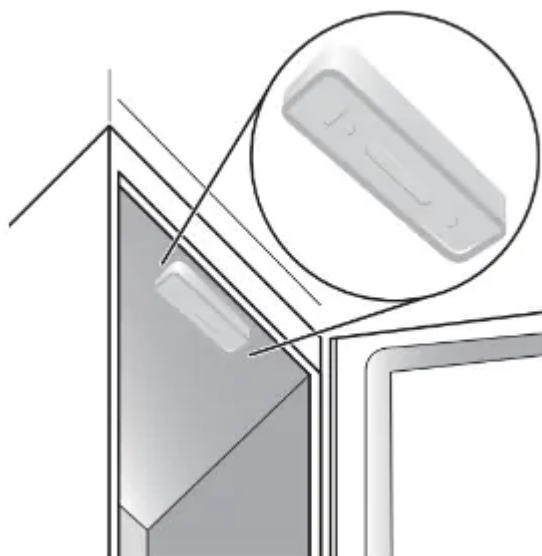
### NO-FROST FREEZER COMPARTMENT:

No Frost freezers provide chilled air circulation around the storage areas, and prevent the formation of ice, thereby completely eliminating the need for defrosting. Frozen items don't stick to the walls, labeling stays legible and storage space remains neat and clear.

## Lights

The light system inside the fridge compartment uses LEDs light, allowing for better lighting as well as very low energy consumption. If the LED light system does not work, please contact an authorized service provider to replace it

**Important:** The refrigerator compartment light switches on when the refrigerator door is opened. If the door is kept open for more than 4 minutes the light will be automatically switched off.



## Vacation and Moving Care

### Vacation

#### If You Choose to Leave the Refrigerator On While You're Away:

Use up or freeze perishable food.

### If You Choose to Turn Off the Refrigerator Before You Leave:

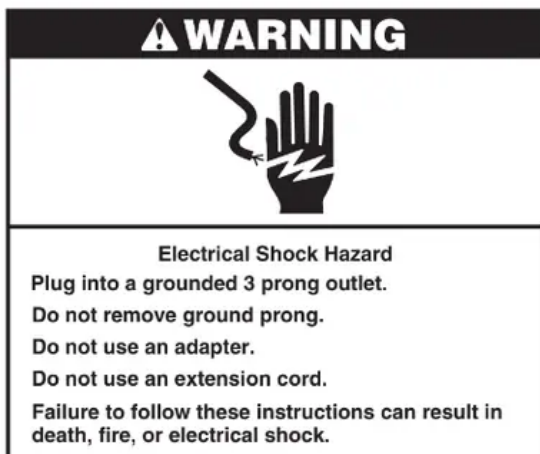
1. Remove all food from the refrigerator.
2. Tape rubber or wood blocks to the tops of both doors to prop them open far enough for air to get in. This stops odor and mold from building up.

### Moving

1. Take out all removable parts, wrap them well, and tape them together so they don't shift and rattle during the move.
2. Unplug refrigerator.
3. Raise the leveling screws so they don't scrape the floor.
4. Tape the doors closed and tape the power cord to the back of the refrigerator.

When you get to your new home, put everything back and refer to the "Installation Instructions" section for preparation instructions.

## TROUBLESHOOTING



Try the solutions suggested here first before calling for assistance.

### The refrigerator is not working

- There may be an appliance power supply problem
  - Check if power cable plugged into a live socket with the proper voltage.
  - Check if the protection devices and fuses of the electrical system in your home.

### **The motor seems to run too much**

- Motor running time depends on different things: number of door openings, amount of food stored, temperature of the room, setting of the temperature controls
  - Make sure that the refrigerator controls are correctly set.
  - Check if there is not a large amount of food been added to the refrigerator.
  - Check that the door is not open too often.
  - Check that the door close properly.

### **The refrigerator seems noisy**

Functional noise can be reduced by leveling the refrigerator and ensuring it is located on an even floor.

- The following Sounds coming from your appliances are normal since it has a number of fans and engines to regulate performances that switch on and off automatically:
  - Hissing - When refrigerator comes on the first time or after a long pause in operation.
  - Gurgling - Refrigerant fluid entering the pipes.
  - Buzzing - When the water valve or fan start working.
  - Cracking - When the compressor starts.
  - Abrupt Clicks - When the thermostat adjusts how often the compressor is running.

### **The doors do not open and close properly**

- There could be various causes (see “Solutions”)
  - Check that food packages are not blocking the door.
  - Check that the internal parts are not out of position.
  - Check that the door seals are not dirty or sticky.
  - Ensure the refrigerator is level.

### **The light does not work**

- The light may need replacing
- The refrigerator may be in On/ Stand-by model
  - Make sure if the protection devices and fuses of the electrical system in your home work well.

- Check if the power cable is plugged into a live socket with the proper voltage.
- In case the LEDs are broken the user must call the Service for exchange of the same type available only at our After- sales Service Centers or authorized dealer.

### **Temperature is too warm**

- There could be various causes see “Solutions”)
  - Make sure that the condenser (back the refrigerator) is free of dust and fluff.
  - Make sure that the door seals properly fitted.
  - On hot days or if the room is warm, the motor naturally runs longer.
  - If the refrigerator door has been left open for a while or if large amounts of food have been stored, the motor will run longer in order to cool down the interior of the refrigerator.

### **Temperature is too cold in the refrigerator/crisper**

- Refrigerator air vent(s) are blocked
- Controls are not set correctly for the surrounding conditions
  - If the air vent is blocked by items placed directly in front of it, the refrigerator will get too cold. Move items away from the air vent.
  - Adjust the controls a setting warmer. Check the temperature in 24 hours.

### **Interior moisture buildup**

- The room is humid
- The doors are opened often or not closed completely
- The airflow vents inside the compartment are blocked
- Food packages are damp
  - A humid environment contributes to moisture buildup.
  - Allows humid air to enter refrigerator. Minimize door openings and close doors completely.
  - Move items away from the airflow vents.
  - Package food properly and dry any dampness on storage containers before placing them in the refrigerator.

### **There is water in the defrost pan**

- This is normal in hot, damp weather. The pan can even be half full.
  - Make sure the refrigerator is level so that the water does not overflow.

### **Edges of refrigerator, which come into contact with the door seal, are warm to the touch**

- This is not a defect. This is normal in hot weather and when the compressor is running.

#### **Warning**

This content is compiled from multiple sources and is provided for reference purposes only. It may not be complete or fully applicable to all situations. If you are unable to resolve your issue, please contact the product manufacturer or an authorized service provider for official support.