

## Before operation

### Preparing for operation

1. Contact an installation specialist for installation.
2. Plug in the power plug properly
3. Use a dedicated circuit
4. Do not use an extension cord
5. Do not start/ stop operation by plugging/unplugging the power cord
6. If the cord/plug is damaged, replace it with only an authorized replacement part.

### Usage

1. Being exposed to direct airflow for an extended period of time could be hazardous to your health.
2. No correlation between fan usage and oxygen depletion.
3. Do not use this air conditioner for non-specified special purpose (e.g, preserving precision devices, food, pets, plants, and art objects). Such usage could damage the items.

### Cleaning and Maintenance

1. Do not touch the metal parts the unit when removing the filter. Injuries can occur when handling sharp metal edges.
2. Do not use water to clean inside the air conditioner. Exposure to water can destroy the insulation, leading to possible electric shock.
3. When cleaning the unit, first make sure that the power and breaker are turned off. The fan rotates at a very high speed during operation. there is a possibility of injury if the unit's power is accidentally triggered on while cleaning inner parts of the units.

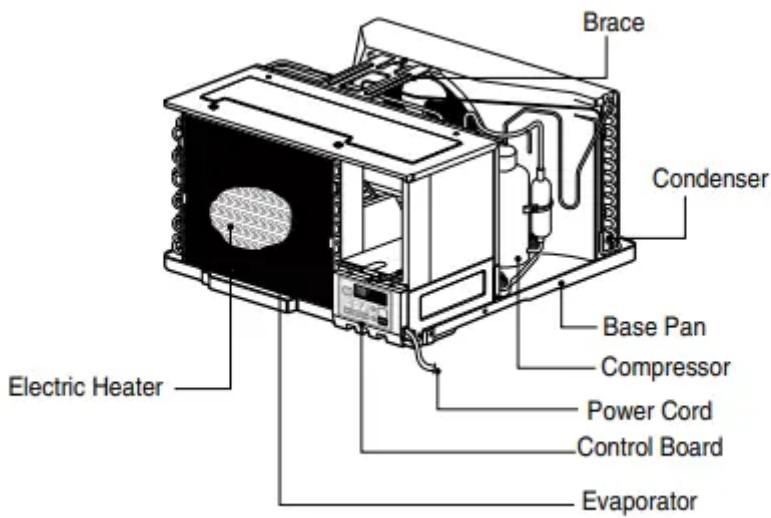
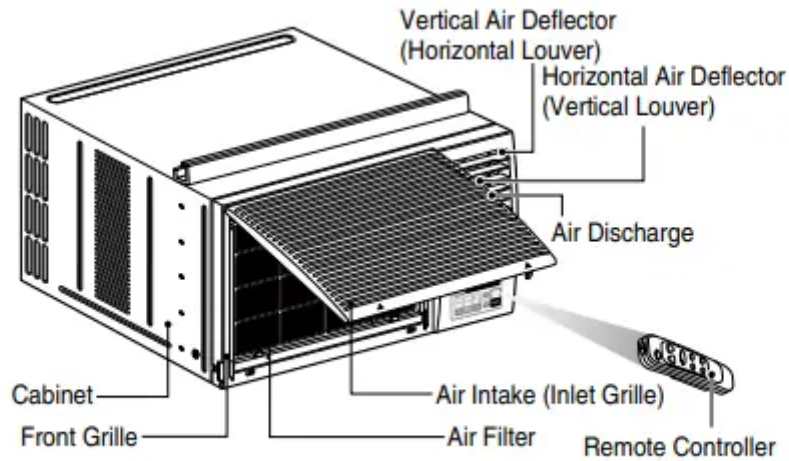
### Service

For repair and maintenance, contact an Authorized Service Centre. See the warranty page for details or call (800) 243-0000. Have your model number and serial number available. They should be written on page 2 of this manual.

# Introduction

## Features

**Warning:** This appliance should be installed in accordance with the National Electric Code.

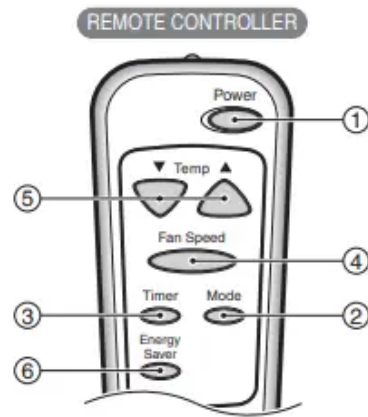
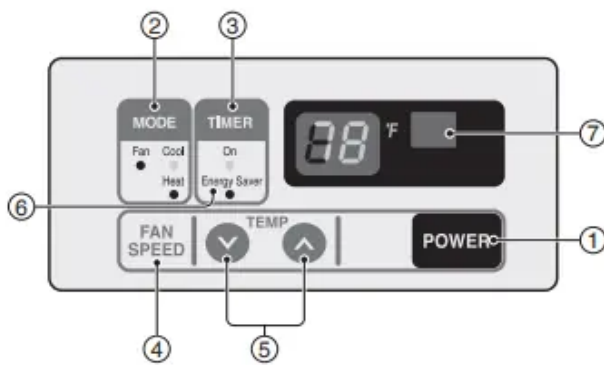


## Operating Instructions

### Remote control

The remote control and control panel will look like one of the following pictures.





### 1. POWER

Operation starts when this button is pressed and stops when you press the button again.

### 2. OPERATION MODE SELECTOR

Everytime you push this button , it will toggle between Cool, Fan and Heat.

**Cool** - Compressor runs and cools the room. Using  $\wedge / \vee$  and FAN buttons to set the desired temperature and circulation fan speed.

**Fan**- Fan circulates air but compressor does not run. Use the FAN button to set the desired fan speed.

**Heat**- Heater runs and heats the room

### 3. ON/OFF TIMER

**Delay ON**- when the air conditioner is off, it can be set to automatically turn on from 1 to 24 hours at its previous mode and fan settings.

**Delay OFF**- when the air conditioner is on, it can be set to automatically turn off from 1 to 24 hours.

### 4. FAN SPEED SELECTOR

Use to set the fan speed to **Low (F1)**, **High (F2)**.

### 5. TEMPERATURE CONTROL

The thermostat monitors room temperature to maintain the desired temperature. The thermostat can be set between 60 F~86 F (16 C~30 C).

### 6. Energy Saver

The fan stops when the compressor stops cooling.

Approximately every 3 minutes the fan will turn on and check the room air temperature if cooling is needed.

### 7. Remocon Signal Receiver

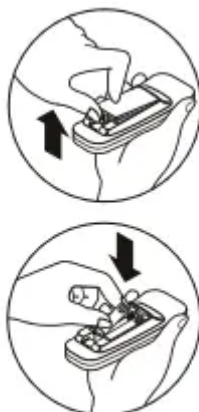
A slight heat odor may come from the unit when first switching to HEAT after the cooling season is over. This odor, caused by fine dust particles on the heater, will dissipate quickly.

## CAUTION

The remote controller will not function properly if strong light strikes the sensor of the air conditioner or if there are obstacles between the remote controller and the air conditioner.

## Inserting the Remote Control Batteries

1. Push out the cover on the back of the remote control with your thumb.
2. Pay attention to polarity and insert one new AAA 1.5V battery.
3. Reattach the cover.



## Notice

Do not use rechargeable battery. Make sure that the battery is new.

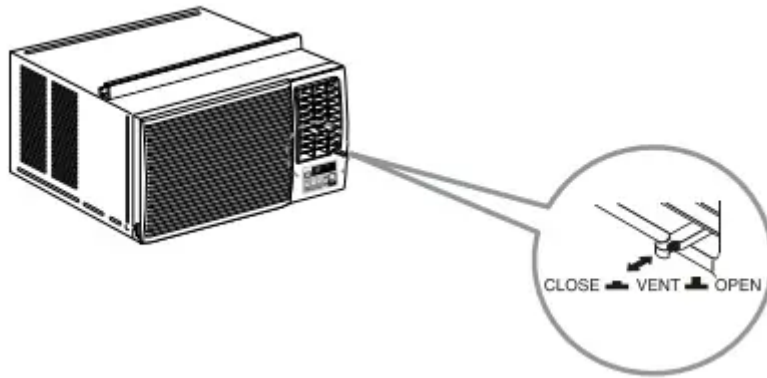
Do not mix alkaline, standard (Carbon-zinc) or rechargeable (Nickel-cadmium) battery.

- In order to prevent discharge, remove the battery from the remote control if the air conditioner is not going to be used for an extended period of time. Keep the remote control away from extremely hot or humid places. To maintain optimal operation of the remote control, the remote sensor should not be exposed to direct sunlight.

## Ventilation

The ventilation lever must be in the CLOSE position in order to maintain the best cooling conditions. When fresh air is necessary in the room, set the ventilation lever to the OPEN position.

The damper is opened and room air is drawn out.

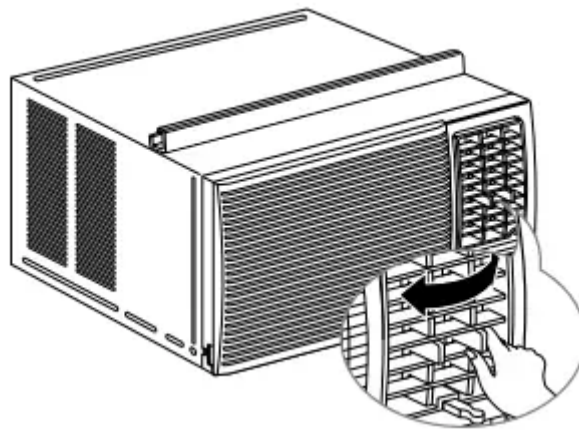


## Air Direction

Airflow can be adjusted by changing the direction of the air conditioner's louvers.

### Adjusting Horizontal Air Flow Direction

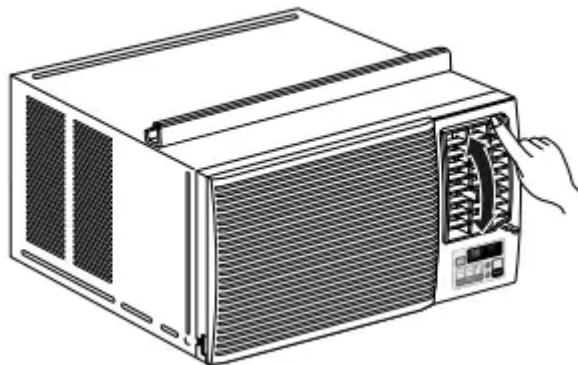
The horizontal direction is adjusted by moving the lever to the left.



Adjusting horizontal air flow direction

### Adjusting Vertical Air Flow Direction

Touch the horizontal louvers to adjust the air airflow up or down.



## Adjusting vertical air flow directio

### NOTICE

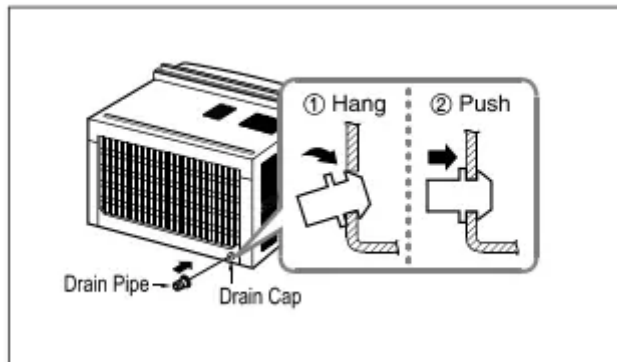
When the unit operates in extremely hot weather, it turns off automatically to protect compressor.

### Additional Features

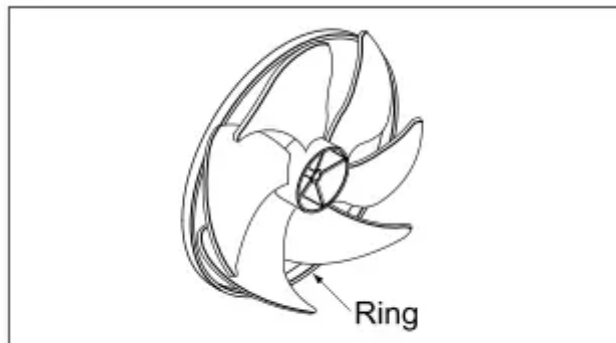
#### Drain Pipe

In humid weather, excess water may cause the base pan to overflow. To drain the water, remove the drain cap and secure the drain pipe to the rear hole of the base pan.

Press the drain pipe into the hole by pushing down and away from the fins to avoid injury.



This air conditioner is equipped with a slinger fan. (See drawing, below.) The fan has an outer ring that runs in the water that collects in the base pan if it gets deep. That condensate is then picked up the fan and expelled through the condenser, making the air conditioner more efficient.

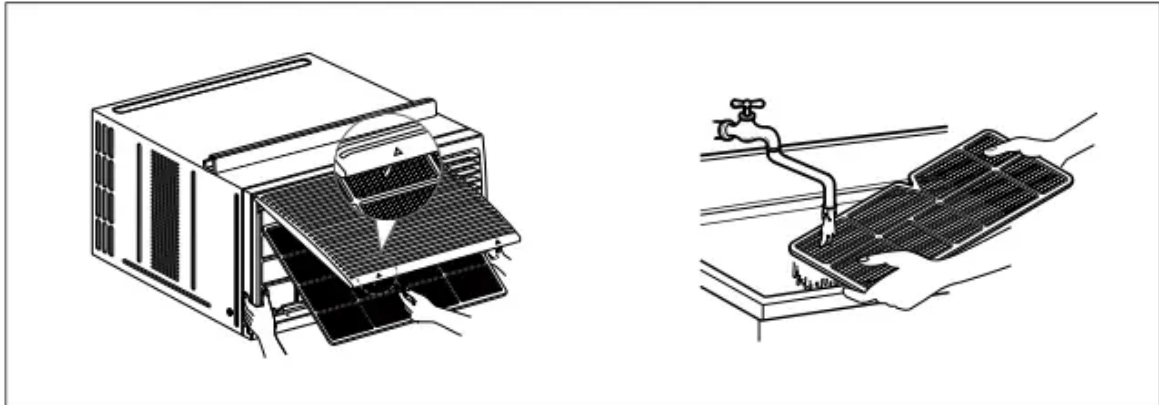


**CAUTION:** Be careful when inserting the drain pipe. Push away from the sharp fin area to avoid slipping injuring yourself.

## Maintenance and Service

### Air Filter

Check the air filter at least twice a month to see if cleaning is necessary. Trapped particles in the filter can build up and block the airflow, reducing cooling capacity and causing an accumulation of frost on the evaporator. To clean the air filter:

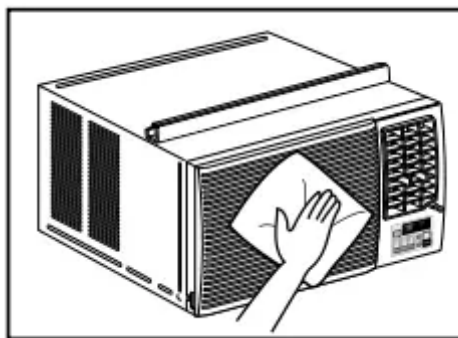


1. Lift the inlet grille upward.
2. Remove the air filter from the front grille by pulling the air filter up slightly.
3. Wash the filter using lukewarm water below  $40^{\circ}\text{C}$  ( $104^{\circ}\text{F}$ ).
4. Gently shake the excess water from the filter and replace.

### Cleaning The Air Conditioner

The front grille and inlet grille may be wiped with a cloth dampened in a mild detergent solution. The cabinet may be washed with mild soap or detergent and lukewarm water, then polished with liquid wax for Appliances.

To ensure continued peak efficiency, the condenser coils (outside of unit) should be checked periodically and cleaned if clogged with soot or dirt from the atmosphere.



### Common Problems and Solutions

#### Before Calling for Service

If you have problems with your air conditioner, read the following information and try to solve the problem. If you cannot find a solution, turn off the air conditioner and call 1-800-243-0000.

### **Air conditioner does not operate**

1. Ensure that the air conditioner is plugged into an outlet of the proper voltage and amperage.
2. Check the fuse or circuit breaker.
3. Check whether the voltage is unusually high or low.

### **Air does not feel cold enough on the cooling setting**

1. Ensure that the temperature settings are correct.
2. Check to see if the air filter is clogged with dust. If so, clean the filter.
3. Ensure that the air flow from the outside is not obstructed and that there is a clearance of over 20" between the back of the air conditioner and the wall or fence behind it.
4. Close all doors and windows and check for any source of heat in the room.

### **The air conditioner is operating normally when:**

- You hear a pinging noise. This is caused by water being picked up by the fan on rainy days or in highly humid conditions. This feature is designed to help remove moisture in the air and improve cooling efficiency.  
See the section on Linger Fan, page 19.
- You see water dripping from the rear of the unit. Water may be collected in the base pan in highly humid conditions or on rainy days. This water overflows and drips from the rear of the unit.
- You hear the fan running while the compressor is silent. This is normal operational feature.

## **Troubleshooting**

### **The air conditioner may be operating abnormally when:**

<b>Problem</b>	<b>Possible Causes</b>	<b>What to do</b>
Air conditioner does not start	The air conditioner is unplugged.	<ul style="list-style-type: none"> <li>• Make sure the air conditioner plug is pushed completely into the outlet.</li> </ul>
	The fuse is blown/ circuit breaker is tripped.	<ul style="list-style-type: none"> <li>• Check the house fuse/circuit breaker box and replace the fuse or reset the breaker.</li> </ul>
	Power failure.	<ul style="list-style-type: none"> <li>• If power failure occurs, turn the mode control to Off. When power is restored, wait 3 minutes to restart the air conditioner to prevent tripping of the compressor overload.</li> </ul>
	The current interrupter device is tripped.	<ul style="list-style-type: none"> <li>• Press the RESET button located on the power cord plug. If the RESET button will not stay engaged, discontinue use of the air conditioner and contact a qualified service technician.</li> </ul>
Air conditioner does not cool as it should	Airflow is restricted.	<ul style="list-style-type: none"> <li>• Make sure there are no curtains, blinds, or furniture blocking the front of the air conditioner.</li> </ul>
	The temp control may not be set correctly.	<ul style="list-style-type: none"> <li>• In COOL model , press the DECREASE pad</li> </ul>
	The air filter is dirty.	<ul style="list-style-type: none"> <li>• Clean the filter at least every 2 weeks. See the care and Maintenance section.</li> </ul>
	The room may have been hot.	<ul style="list-style-type: none"> <li>• When the air conditioner is first turned on, you need to allow time for the room to cool down.</li> </ul>
	Cold air is escaping.	<ul style="list-style-type: none"> <li>• Check for open furnace floor registers and cold air returns.</li> </ul>

	Cooling coil have iced up.	<ul style="list-style-type: none"> <li>• See Air Conditioner Freezing Up below.</li> </ul>
Air conditioner freezing up	The cooling coils are iced over.	<ul style="list-style-type: none"> <li>• Ice may block the air flow and obstruct the air conditioner from properly cooling the room. Set the mode control at High Fan or High Cool.</li> </ul>
Water drips outside	Hot, humid weather.	<ul style="list-style-type: none"> <li>• This is normal.</li> </ul>
Water drips indoors	The air conditioner is not tilted to the outside.	<ul style="list-style-type: none"> <li>• For proper water disposal, make sure the air conditioner slants slightly from the case front to the rear.</li> </ul>
Water collects in base pan	Moisture removed from air and drains into base pan.	<ul style="list-style-type: none"> <li>• This is normal for a short period in areas with little humidity; normal for a longer period in very humid areas.</li> </ul>

### Warning

This content is compiled from multiple sources and is provided for reference purposes only. It may not be complete or fully applicable to all situations. If you are unable to resolve your issue, please contact the product manufacturer or an authorized service provider for official support.