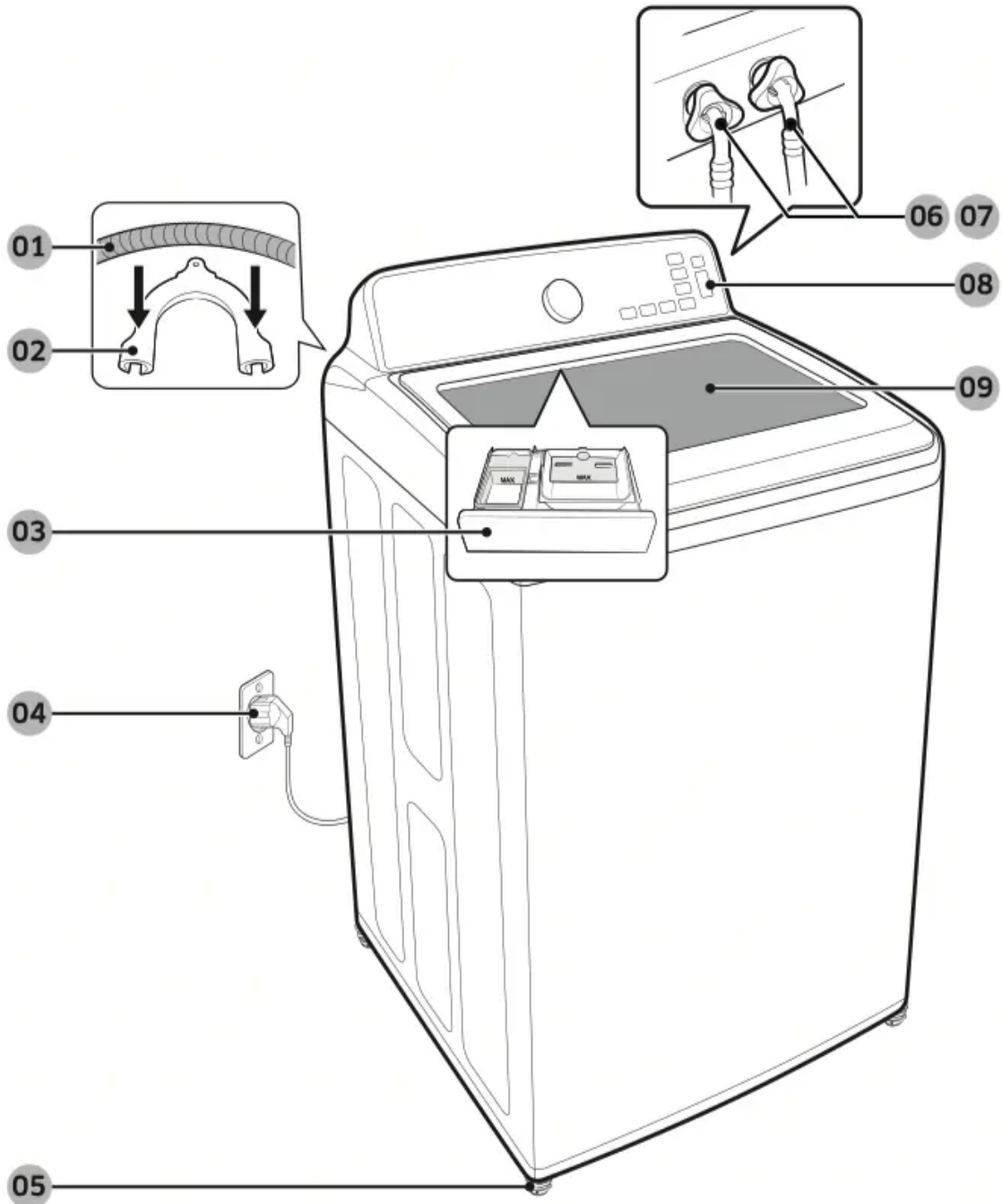


Overview of your washer

Make sure all the parts are included in the product package. If you have a problem with the washer or the parts, contact a local Samsung customer center or the retailer.



01 Drain hose

02 Hose guide

03 Detergent drawer



04 Power cord

05 Leveling feet

06 Water hose (Cold)

07 Water hose (Hot)

08 Control panel

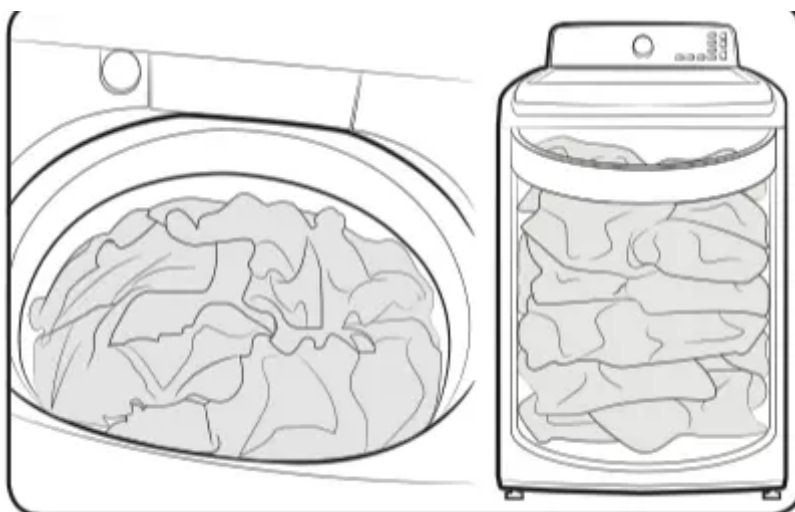
09 Lid

Operating instructions

WARNING

To reduce the risk of fire, electric shock, or injury to persons when using your appliance, follow basic precautions, including the following:

Loading your washer



- Fill the tub with dry, unfolded clothes evenly around in order to enhance washing efficiency and prevent excess wear, or wrinkling of the load.
- For optimal washing performance, make sure the laundry is piled up evenly.
- Wash delicate items such as bras, hosiery, and other lingerie in the Delicates cycle with similar lightweight items.
- When washing big bulky items or a few smaller items that don't fill the tub completely – a rug, a pillow, stuffed toys, or one or two sweaters, for example – add a few towels to improve spin performance.
- Do not insert bulky items except for Bedding in this cycle.

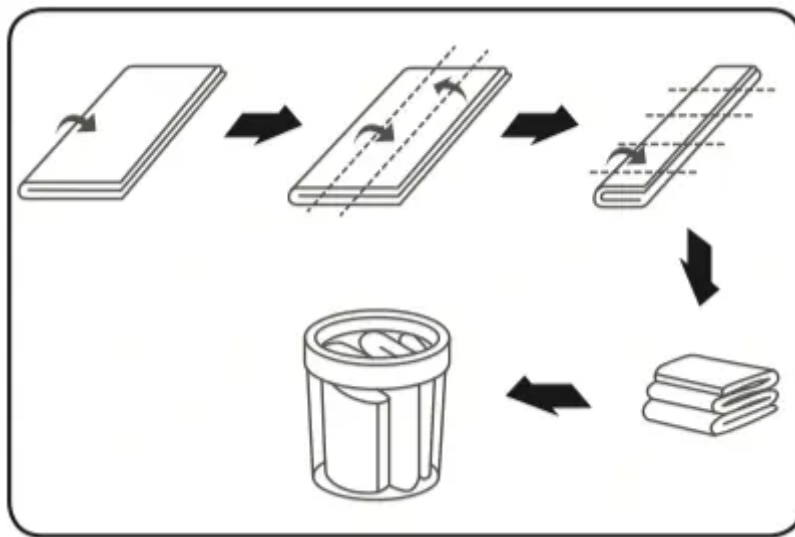
NOTE

During the spin cycle, the washer may add additional water to redistribute the clothes and correct an imbalance inside the drum.

- When washing heavily soiled loads, do not overload your washer to ensure good cleaning results.

CAUTION

- Inflatable items may cause damage to the laundry or the machine during the wash or drying process.
- Regardless of the size, blankets or quilts are safer and cleaner to wash one item at a time. Two different-sized blankets in the same load may compromise the drying performance due to unbalanced loads.



To input a blanket Fold the blanket into the blanket-specific net as shown, and then insert in the tub below the plastic area of the tub.

CAUTION

Make sure the laundry is inserted completely.

- Any exposed part of the laundry may cause damage to the machine or the laundry itself, or a water leak.
- Do not overload the tub. Make sure no part of the laundry is exposed outside of the tub.

To add a forgotten item:

1. Press START/PAUSE to pause the washer.
2. Wait for the door to unlock automatically, and then open the door.
3. Add the item, close the door, and then press START/PAUSE. The cycle will resume.

Getting started

1. Load your washer.
2. Add liquid (or powder) detergent and additives to the dispenser (see the "Detergent use" section on page 37).
3. Select the appropriate cycle and options for the load (see the "Washing a load of laundry" section page 31).
4. Close the lid.
5. Press START/PAUSE.
6. The Wash Indicator illuminates.
7. The estimated cycle time will appear in the display.

The time may fluctuate to indicate the time remaining in the cycle.

NOTE

The actual time required for a cycle may differ from the estimated time in the display depending on the water pressure, water temperature, detergent, and laundry.

8. Before your washer starts to fill, it will make a series of clicking noises to check the door lock and do a quick drain.

NOTE

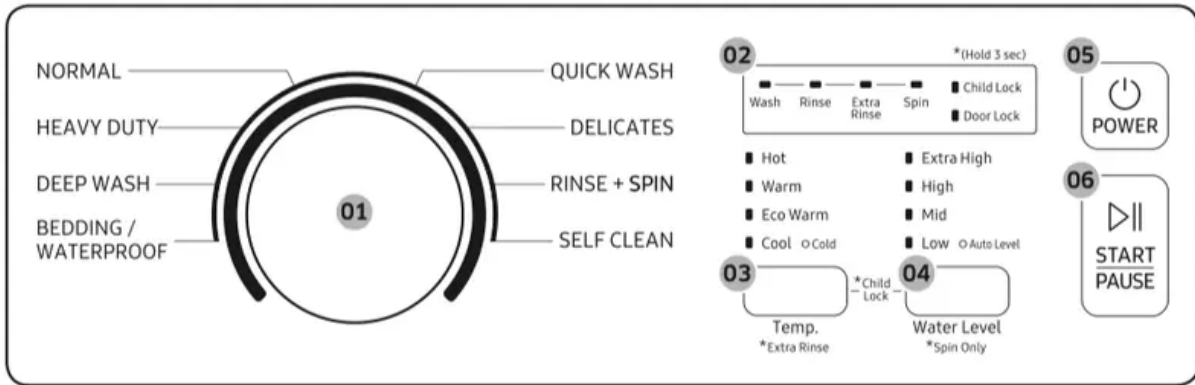
- When the cycle is complete, the Door Lock indicator will go out.
- Pressing POWER cancels the cycle and stops your washer.
- The Wash, Rinse, and Spin indicators will illuminate during those portions of the cycle.

Washing a load of laundry

WARNING

To reduce the risk of fire, electric shock, or injury to persons, read the IMPORTANT SAFETY INSTRUCTIONS before operating this appliance.

Control panel



01 Cycle Selector	Turn the Cycle Selector to select the desired cycle. The indicator by the cycle name lights up.
02 Display	Provides instructions and diagnostics while keeping you updated on the cycle status and time remaining.
03 Temp.	<p>Press the button repeatedly to cycle through the different water temperature options.</p> <ul style="list-style-type: none"> • Hot - Whites and heavily soiled, colorfast items. • Warm - Colorfast items. • Eco Warm - Moderately soiled, colorfast items; most wrinkle-free items. • Cool - Brightly colored, very lightly soiled items. • Cold - Cold water with no warm water added. <p>NOTE</p> <ul style="list-style-type: none"> • If you select the Cold option, all the lamps for the water temperature options are turned off. • Extra Rinse: Change from spray rinse mode to deep rinse mode, and rinse once again. Press and hold Temp. for 3 seconds.
04 Water Level	<p>The water level is Extra high. However, you can select the water level manually by pressing this button.</p> <p>Spin Only: This cycle runs a spin cycle only. Press and hold Water Level for 3 seconds.</p>
05 POWER	Press once to turn your washer on. Press again to turn your washer off. If the washer is left on for more than 10 minutes without any buttons being pressed, the power automatically turns off.
06 START/ PAUSE	Press to pause and restart cycles.

Cycle overview

Cycle	Description
NORMAL	For most fabrics including cottons, linens, and normally soiled garments.
HEAVY DUTY	For sturdy, colorfast fabrics and heavily soiled garments. We propose to use this function only when washing lot of heavily soiled garments.
DEEP WASH	Use more water in washing and rinsing.
BEDDING / WATERPROOF	<p>For bulky and large items, such as comforters, blankets and sheets. When washing comforters, use liquid detergent, waterproof or water-resistant items.</p> <p>CAUTION</p> <ul style="list-style-type: none"> ※ Do not wash waterproof items and non-waterproof items together. ※ Check the specification label on the fabric item and see if the item is waterproof. ※ Use the BEDDING / WATERPROOF cycle for waterproof or water-resistant items such as plastic mats, ski pants, raincoat and comforters which hardly absorb water.
QUICK WASH	For lightly soiled garments needed quickly.
DELICATES	For sheer fabrics, bras, lingerie, silks, and other handwash-only fabrics. For best results, use liquid detergent.
RINSE + SPIN.	Use for loads that need rinsing only or to add rinse-added fabric softener to a load.
SELF CLEAN	Use to clean dirt and bacteria from the tub. Regular use (after every 20 washes) is recommended.

Options

Child Lock

Child Lock disables the START/PAUSE button while the washer is operating. This is to prevent children from playing with the washer.

Activating the Child Lock function Press and hold the Temp. and Water Level buttons simultaneously for approximately 3 seconds.

- Child Lock disables the START/PAUSE button while the washer is operating.
- The Child Lock Indicator blinks.

Using the Child Lock function

If the lid is opened when the Child Lock function is on, the Hot LED illuminates and an alarm sounds.

- If the water level in the tub is above the safe water level, the Hot light illuminates on the LED display and the washing machine starts to drain after 30 seconds.
- If the water level in the tub is above the safe water level and the Child Lock function is turned on while the door is open, the Hot, Cool, Extra High, and Low lights illuminate on the LED display even if the power is turned off and the washing machine starts to drain.
- If the power is off and the lid is opened while the water level in the tub is above the Reset water level, the Hot, Cool, Extra High, and Low lights illuminate on the LED display and the washing machine starts to drain. When the draining operation finishes, the power is automatically turned off again.
- If you activate Child Lock while the washing machine is running, the START/ PAUSE button will not work.
- After the compulsory drain, the Hot, Cool, Extra High, and Low lights blink at 1 second intervals and the product enters the Hot, Cool, Extra High, and Low light mode. (When the product is in the the Hot, Cool, Extra High, and Low light mode, only the POWER button works.)
- To cancel the the Hot, Cool, Extra High, and Low light mode, you need to turn the power off and then on again.
- To cancel the Hot light mode, deactivate the Child Lock function. To deactivate the Child Lock function, press and hold the Temp. and Water Level buttons simultaneously for at least 3 seconds.

NOTE

Adding laundry when Child Lock is on

To add laundry, deactivate the Child Lock function. To deactivate the Child Lock function, press and hold Temp. and Water Level simultaneously for at least 3 seconds. See the “Pause Option” section on page 35 for additional details.

Deactivating the Child Lock function

Press and hold both Temp. and Water Level simultaneously for approximately 3 seconds.

- When you deactivate the Child Lock function, the Child Lock indicator is turned off.
- The Child Lock function prevents children or the infirm from accidentally operating the washer and injuring themselves.

WARNING

If a child enters the washer, the child may become trapped and suffocate.

CAUTION

- Once you have activated the Child Lock function, it continues working even if the power is turned off.
- Forcing the lid open can result in injury or damage to the product.

NOTE

To add laundry after you have activated the Child Lock function, you must first deactivate the Child Lock function.

Washing clothes using the cycle selector

Your new washer makes washing clothes easy, using Samsung's "Fuzzy Control" automatic control system. When you select a wash program, the machine will set the correct temperature, washing time, and washing speed.

1. Press POWER.
2. Open the lid.
3. Load the articles of clothing one at a time loosely into the drum, without overfilling it.
4. Add liquid (or powder) detergent, softener, and/or bleach (if necessary) to the appropriate compartments. See the "Detergent use" section on page 37.
5. Close the lid.
6. Use the Cycle Selector to select the appropriate cycle according to the type of material: NORMAL, HEAVY DUTY, DEEP WASH, BEDDING / WATERPROOF, QUICK WASH, DELICATES, and RINSE + SPIN. The relevant indicators will illuminate on the control panel.
7. At this time, you can control the wash temperature, the number of rinse cycles, the spinning speed, and the delay time by pressing the appropriate option button.
8. Press START/PAUSE and the wash will begin. The process indicator will light up and the remaining time for the cycle will appear in the display.

Pause Option

To remove or add laundry items, follow these steps:

1. Press START/PAUSE to unlock the lid.

NOTE

The lid cannot be opened when the water is too HOT.

2. Remove or add laundry items.
3. Close the lid, and then press START/ PAUSE to restart the wash.

NOTE

If you have Child Lock on, you must deactivate it first. See page 33.

When the cycle is finished:

After the total cycle has finished, the power will turn off automatically.

1. Open the lid.
2. Remove laundry.

ATC (Auto Temperature Control)

ATC is the control function that the washer controls water temperature with temperature sensor (thermistor).

NOTE

Because there are numerous water temperatures depending on the customer's environments (cold areas, warm areas, various water temperatures, settings of heater temperature, etc.), ATC function in our washer maintains the certain level of wash temperature to output the best washing performance at each cycle.

NOTE

If you select NORMAL cycle, this cycle is the regulation and UL cycle. Since new washers must reduce the amount of energy usage as a first priority, customers will notice more cold water entering the washer. But, this is normal, not a problem.

In those regulation cycles, Hot temperature is similar to acceptable adult bath-water temperature and warm temperature is similar to comfortable swimming-pool water temperature.

NOTE

If customers want to wash clothes in specific water temperatures, customers should choose a different cycle at each temperature (Hot/Warm/Eco Warm/Cool).



Detergent use



Your washer is designed to use high efficiency (HE) detergents.

- For the best cleaning results, use a high efficiency detergent such as Tide HE, Wisk HE, Cheer HE or Gain HE*. High efficiency detergents contain suds suppressors that reduce or eliminate suds. When fewer suds are produced, the load tumbles more efficiently and cleaning is maximized. (* Brand names are trademarks of their respective manufacturers.)

WARNING

Regular detergent is not recommended. Use HE detergents only.

NOTE

Reducing the amount of detergent may reduce the quality of cleaning. It is important to pre-treat stains, sort carefully by color and soil level, and avoid overloading.

Features

Automatic dispenser

Your washer has separate compartments for dispensing detergent and color-safe bleach and fabric softener. Add all laundry additives to their respective compartments before starting your washer.

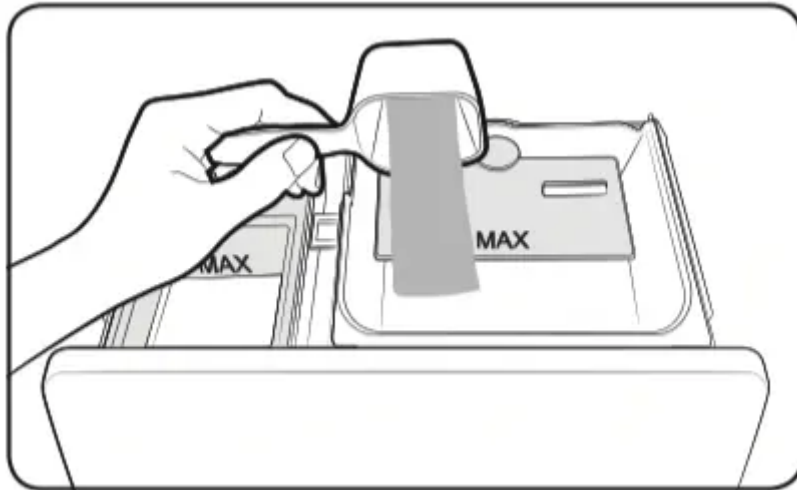
The automatic dispenser must always be in place before you start your washer.

DO NOT open the automatic dispenser when your washer is running.

NOTE

- Never exceed the manufacturer's recommendations when adding detergent.
- This compartment holds liquid detergent for the main wash cycle, which is added to the load at the beginning of the cycle.
- When using powdered detergent, remove the liquid detergent compartment from the detergent drawer. The washer will not dispense powdered detergent from the liquid detergent compartment.

To add detergent to the automatic dispenser:



1. Open the dispenser drawer.
2. Load the recommended amount of liquid (or powder) detergent into the detergent compartment before you start your wash.
3. Close the drawer slowly and smoothly to avoid spilling, splashing, or premature dispensing of the contents.

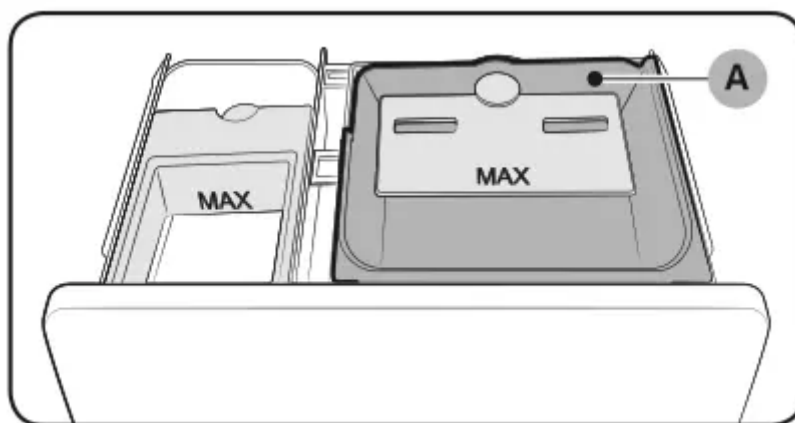
NOTE

It is normal for a small amount of water to remain in the dispenser compartments at the end of the cycle.

NOTE

Do not put chlorine bleach in the dispenser drawer.

Loading the Liquid (or Powder) detergent compartment



1. Pour the recommended amount of laundry detergent directly into the detergent compartment before starting your washer.
2. If you are using color-safe bleach, add it with the detergent to the detergent compartment.

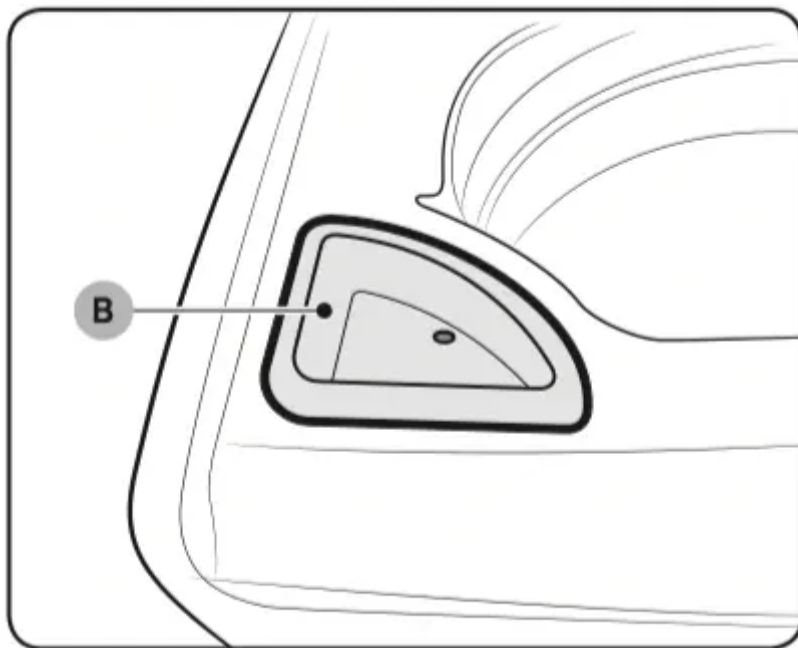
NOTE

When adding color-safe bleach with detergent, it is best if both laundry products are in the same form – liquid.

NOTE

When using powdered detergent, remove the liquid detergent compartment (A) from the detergent drawer. The washer will not dispense powdered detergent from the liquid detergent compartment.

Loading the Bleach compartment



CAUTION

Use the liquid chlorine bleach only.

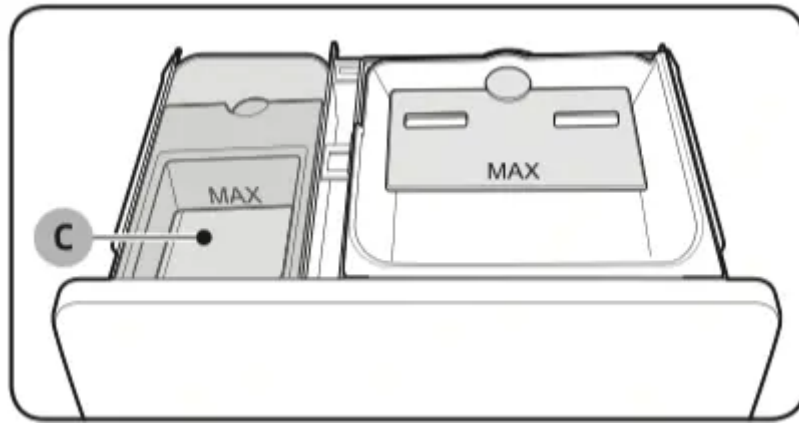
1. Add chlorine bleach to the bleach compartment (B). DO NOT exceed the bleach compartment.

NOTE

- Avoid splashing or over-filling the compartment.
- Never pour undiluted liquid chlorine bleach directly onto the load or into the tub. It is a powerful chemical and can cause fabric damage, such as weakening of the fibers or color loss, if not used properly.
- If you prefer to use color-safe, add it to the appropriate detergent compartment.

DO NOT pour color-safe bleach into the Bleach compartment.

Loading the fabric softener compartment



1. Pour the recommended amount of liquid fabric softener into the softener compartment (C). For smaller loads, use less than one capful.
2. Dilute the fabric softener with water until it reaches MAX FILL in the compartment.
3. The dispenser automatically releases liquid fabric softener at the proper time during the rinse cycle.

NOTE

- Use the softener compartment **ONLY** for liquid fabric softeners.
- **DO NOT** use the Downy Ball* in the fabric softener compartment with this washer. It will not add fabric softener at the appropriate time.

Use the detergent compartment.

(* Brand names are trademarks of their respective manufacturers.)

- Do not use liquid fabric softener that is too sticky as it may not mix with the water sufficiently.

Maintaining your washer

WARNING

Certain internal parts are intentionally not grounded and may present a risk electric shock only during servicing. Service personnel – Do not contact the following parts while the appliance is energized: Control board, heat sink, motor, inlet valve, heater and pump.

Cleaning the exterior

1. Turn off the water faucets after finishing the day's washing. This will shut off the water supply to your washer and prevent the unlikely possibility of damage from escaping water. Leave the lid open to allow the inside of your washer to dry out.
2. Use a soft cloth to wipe up all detergent, bleach or other spills as they occur.

3. Clean the following as recommended: Control Panel – Clean with a soft, damp cloth. Do not use abrasive powders or cleaning pads. Do not spray cleaners directly on the panel.

Cleaning the interior

Clean the interior of your washer periodically to remove any dirt, soil, odor, mold, mildew, or bacterial residue that may remain in your washer as a result of washing clothes.

Failure to follow these instructions may result in unpleasant conditions, including odors and/or permanent stains on your washer or laundry.

Hard water deposits may be removed, if needed. Use cleaners labeled “Washer safe”.

Storing your washer

Washers can be damaged if water is not removed from hoses and internal components before storage.

Prepare your washer for storage as follows:

1. Select the Quick Wash cycle and add bleach to the automatic dispenser. Run your washer through the cycle without a load.
2. Turn the water faucets off and disconnect the inlet hoses.
3. Unplug your washer from the electrical outlet and leave your washer lid open to let air circulate inside the drum. If your washer has been stored in below-freezing temperatures, allow time for any leftover water in your washer to thaw out before use.

Preserving the top cover and the front frame

Do not place any heavy or sharp objects or a detergent box on the washer. They can scratch or damage the top cover of the unit.

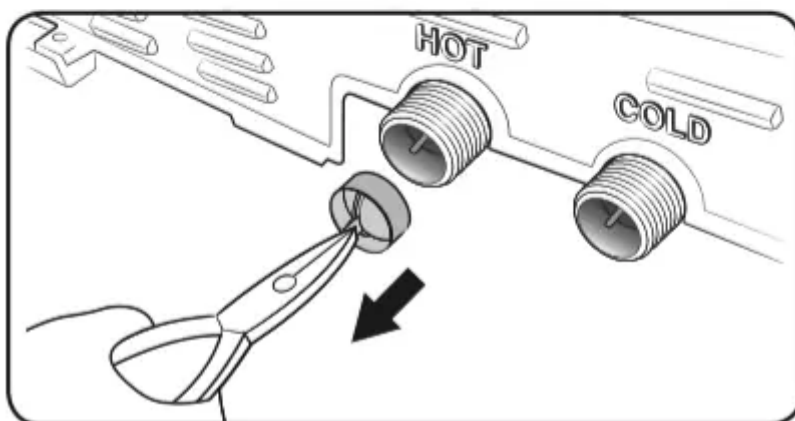
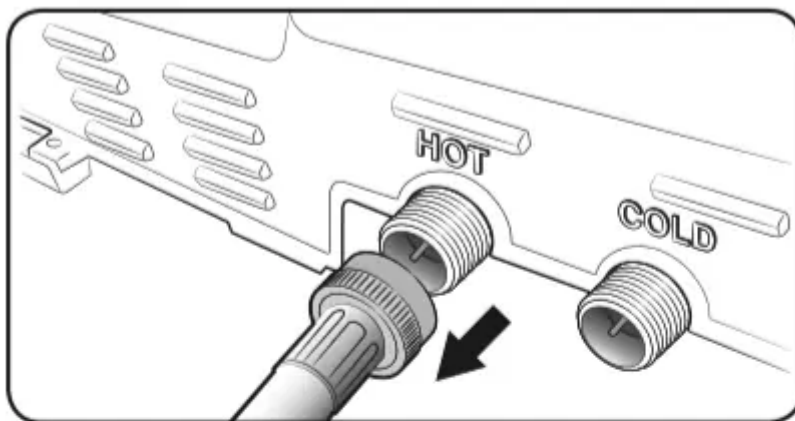
NOTE

Since the entire washer has a high-gloss finish, the surface can be scratched or damaged.

Avoid scratching or damaging the surface when using the washer.

Cleaning mesh filter

Clean the mesh filter of the water hose once or twice a year.

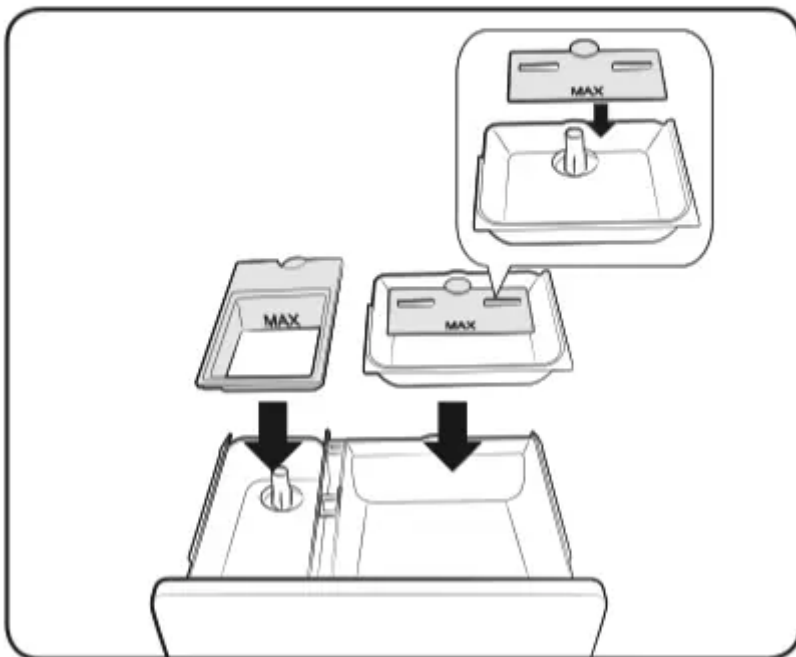
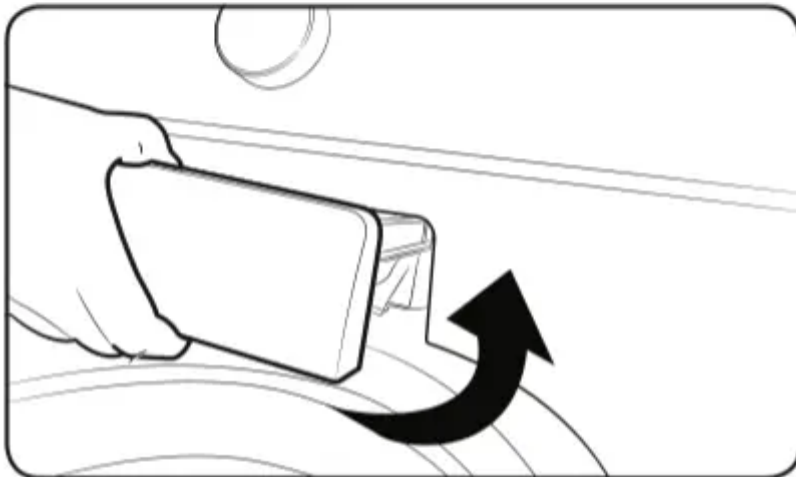
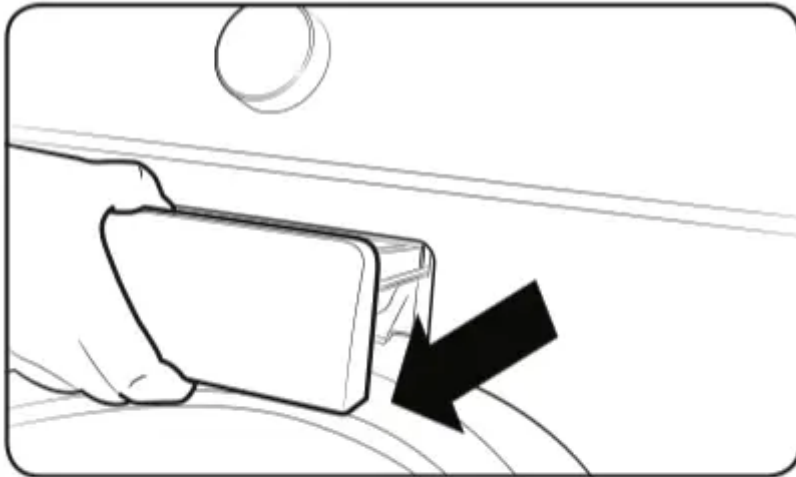


1. Turn off the washer, and then unplug the power cord.
2. Close the faucet.
3. Loosen and disconnect the water hose from the back of the washer. Cover the hose with a cloth to prevent water from gushing out.
4. Use pliers to pull out the mesh filter from the inlet valve.
5. Submerge the mesh filter deeply in water so that the threaded connector is also submerged.
6. Dry the mesh filter completely in a shaded area.
7. Reinsert the mesh filter into the inlet valve, and reconnect the water hose to the inlet valve.
8. Open the faucet.

NOTE

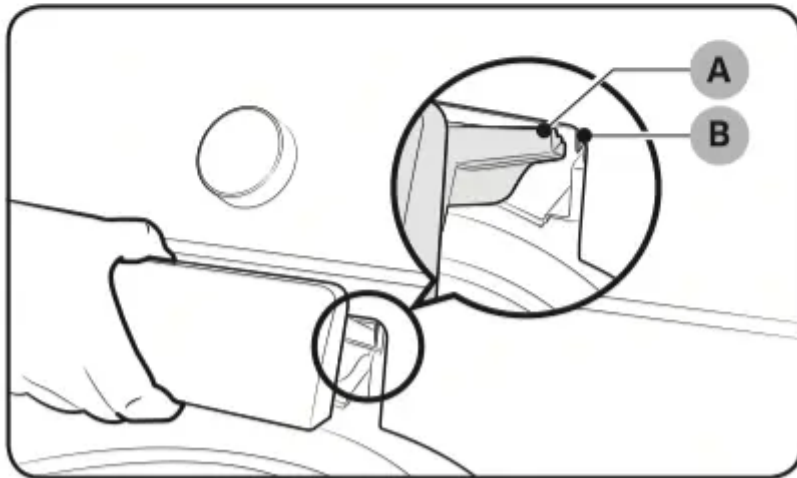
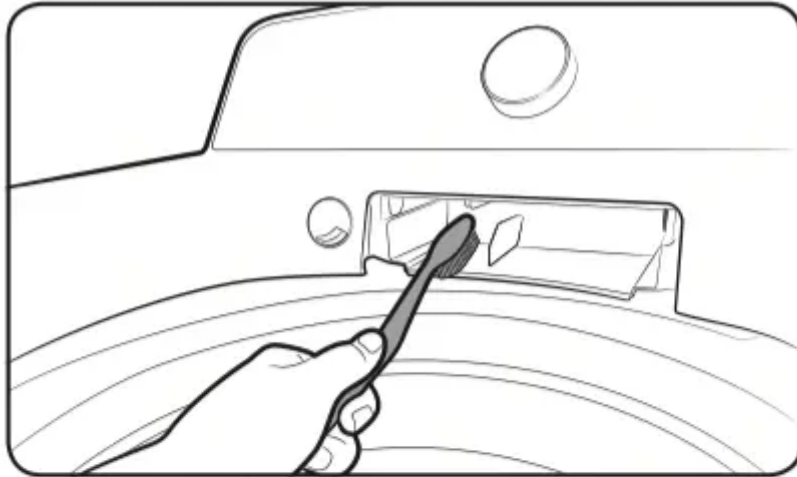
If the mesh filter is clogged, the “Cool” LED flashes on the washer’s display screen.

Cleaning the dispensers



The automatic dispenser may need to be cleaned periodically due to laundry additive buildup.

1. Pull the dispenser drawer straight back until it stops.
2. Tilt the dispenser drawer upward and remove it.
3. Remove the inserts from the 3 compartments. Rinse the inserts and the drawer with warm water to remove traces of accumulated laundry products.



4. To clean the drawer opening, use a small, non-metal brush to clean the recess. Remove all residue from the upper and lower parts of the recess.

5. Return the inserts to the proper compartments and replace the drawer by placing the dispenser drawer rail (B) on top of the compartment rail (A) (Tilt the dispenser drawer downward and insert it).

Then push the drawer in firmly and slowly.

Self Clean

Certain usage and environmental conditions may result in some residue build-up or odor in the washer tub. To prevent this build-up of residue or odor causing bacteria and keep your washer tub

fresh and clean, perform the SELF CLEAN cycle at least once a month or every 20 cycles. Perform the recommended procedure below when using the SELF CLEAN cycle.

1. Remove all items from the washer tub and ensure the tub is empty. Laundry left in the tub during the SELF CLEAN cycle may be damaged.
2. Press POWER.
3. Turn the Cycle Selector to SELF CLEAN.
4. Press START/PAUSE. SELF CLEAN begins.

NOTE

- The water temperature for SELF CLEAN is defaulted to Hot. This temperature cannot be changed.
- In the case where residue is present in the washer tub, add 1 cup (8 fl.oz, 240 ml) of liquid chlorine bleach to the bleach compartment before you start the SELF CLEAN cycle. Do not use or mix any other detergent or chemicals during the SELF CLEAN cycle.
- If necessary, run a RINSE+SPIN Cycle after the SELF CLEAN cycle has completed to help remove any remaining residue.

CAUTION

- Check the washer tub before using the SELF CLEAN cycle. Remove any remaining water in the tub by running a Spin Only cycle prior to starting the SELF CLEAN cycle.
- If there is chlorine bleach left in the washer tub for an extended period of time, rust can occur.

SELF CLEAN reminder

- After 20 washing cycles, the SELF CLEAN LED reminder icon and the SELF CLEAN cycle LED will blink on the control panel for an hour and then turn off automatically.
- The reminder will appear on the control panel for 5 additional consecutive cycles before turning off. The next reminder will not appear until another 20 cycles have been completed.

Troubleshooting

Checkpoints

If you encounter a problem with the washer, first check the table below and try the suggestions.

Problem	Action
Does not turn on.	<ul style="list-style-type: none"> • Make sure you use rated power for the product. • Make sure the power cord is completely plugged in. • Check the fuse or reset the circuit breaker.
Does not start.	<ul style="list-style-type: none"> • Make sure the door is closed. • Make sure the water taps are open. • Make sure to press or tap START/PAUSE to start the washing machine. • Make sure Child Lock is not activated. • Before the washing machine starts to fill, it will make a series of clicking noises to check the door lock and does a quick drain. • Was the door opened during the spinning cycle? Close the door, and press or tap START/PAUSE to resume. • The machine enters Standby or is in a soaking cycle. Please wait. • Check the fuse or reset the circuit breaker
Water is not supplied.	<ul style="list-style-type: none"> • Make sure you press or tap START/PAUSE after selecting the water supply. • Make sure the water taps are open. • Is the filter net at the water supply hose connector clogged? Clean the filter net by brushing with a toothbrush. • Is the water supply cut off? If the water supply is cut off, close the tap and power off. • Straighten the water supply hoses. • Open and close the door, then press or tap START/PAUSE. • If the water pressure is low, it takes longer to start washing. • If the water level is not as high as necessary or lower than expected, use the level selector to adjust the water level.



<p>After a cycle, detergent remains in the automatic dispenser.</p>	<ul style="list-style-type: none"> • Make sure the washing machine is running with sufficient water pressure. • Make sure the detergent drawer is properly inserted. • Remove and clean the detergent drawer, and then try again.
<p>Vibrates excessively or makes noise.</p>	<ul style="list-style-type: none"> • Make sure the washing machine is set on a level floor. If the floor is not level, use the levelling feet to adjust the washing machine. • Make sure the washing machine is not contacting any other object. • Make sure the laundry load is balanced. • Make sure the laundry is spread evenly in the washing machine. Spread out the laundry evenly and start again. • Make sure the space around the washing machine is free of objects. • Humming is produced normally during operation. • Objects such as coins can cause noise. Remove these objects from the washing machine after washing is complete.
<p>Stops.</p>	<ul style="list-style-type: none"> • Plug the power cord into a live electrical outlet. • Check the fuse or reset the circuit breaker. • Close the door, and press or tap START/PAUSE to start the washing machine. For your safety, the washing machine will not spin unless the door is closed. • Before the washing machine starts to fill, it will make a series of clicking noises to check the door lock and does a quick drain. • There may be a pause or soak period in the cycle. Wait briefly and the washing machine may start. • Make sure the inlet hose screens at the taps are not clogged. Periodically clean the screens. • This problem occurs temporarily due to low voltages, and will be solved when power recovers.



<p>Fills with the wrong temperature water.</p>	<ul style="list-style-type: none"> • Fully open both water taps. • Make sure the temperature selection is correct. • Make sure the hoses are connected to the correct water taps. <p>Flush water lines.</p> <ul style="list-style-type: none"> • Disconnect the hoses and clean the screens. The hose filter screens may be clogged. • While the washing machine fills, the water temperature may change as the automatic temperature control feature checks incoming water temperature. This is normal. • While the washing machine fills, you may notice just hot and/ or just cold water going through the dispenser when cold or warm temperatures are selected. <p>This is a normal function of the automatic temperature control feature as the washing machine determines the water temperature.</p>
<p>Door (Lid) locked or will not open.</p>	<ul style="list-style-type: none"> • While the washing machine is operating, press or tap START/ PAUSE to stop the washing machine. • It may take a few moments for the door lock mechanism to disengage.
<p>Does not drain and/ or spin.</p>	<ul style="list-style-type: none"> • Check the fuse or reset the circuit breaker. • Make sure the electrical voltage is normal. • Make sure the washing machine is plugged in. • Make sure the drain hose is pointed downward. (Natural drain models only) • Make sure the drain hose is not clogged. • Make sure the drain hose is not kinked. • Straighten the drain hose. If there is a drain restriction, call for service. • Close the door, and press or tap START/PAUSE. For your safety, the washing machine will not spin unless the door is closed.
<p>Load is wet at the end of the cycle.</p>	<ul style="list-style-type: none"> • Use the High or Extra High spin speed. (Applicable model only) • Use high efficiency (HE) detergent to reduce oversudsing. • Load is too small. Small loads (one or two items) may become unbalanced and not spin completely.



<p>Leaks water.</p>	<ul style="list-style-type: none"> • Make sure all hose connections are tight. • Make sure the water supply hose's rubber packing is in the correct position. Screw tightly again. • Make sure the end of the drain hose is correctly inserted and secured to the drain system. • Avoid overloading. • Use high efficiency (HE) detergent to prevent oversudsing. • Make sure the water supply hose is not kinked. • If the water supply is too strong, water may leak. Close the water tap a little. • Make sure water is not leaking from the water tap. If so, repair the water tap.
<p>Excessive suds.</p>	<ul style="list-style-type: none"> • Use high efficiency (HE) detergent to prevent oversudsing. • Reduce the detergent amount for soft water, small loads, or lightly soiled loads. • Non-HE detergent is not recommended.
<p>The spin basket or drain/ supply hose is frozen.</p>	<ul style="list-style-type: none"> • Use warm water to disconnect the water supply hose and drain hose. Soak them in warm water. • Fill the spin basket with warm water, and then wait for about 10 minutes. • Put a hot towel on the drain hose connector. • Reconnect the water supply hose and drain hose, and check if water is supplied properly.



<p>Water drains out immediately.</p>	<ul style="list-style-type: none"> • Make sure the drain hose is not clogged, and is hung over the drain hose hook. Fill the spin basket halfway with water, and try spinning again. • Lift the end of the drain hose to prevent water from draining. <p>Fill the spin basket halfway with water, and then run spinning after releasing the drain hose.</p> <ul style="list-style-type: none"> • Make sure the drain hose is installed correctly. See the installation section of this user manual and adjust the position of the drain hose as instructed.
<p>Stains on clothes.</p>	<ul style="list-style-type: none"> • Select an appropriate cycle for the laundry. Use the Heavy Duty cycle for stained clothes. • Apply a recommended amount of detergent as instructed by the detergent manufacturer. • Clean the magic filter (if it comes with your washer) on a regular basis.
<p>Has odours.</p>	<ul style="list-style-type: none"> • Excessive suds collect in recesses and can cause foul odours. • Run cleansing cycles to sanitize periodically. • Dry the washing machine interior after a cycle has finished.

If a problem persists, contact a local Samsung service center.

Information codes

The washer may display information codes to help you understand what is occurring with your washer better.

No	Code	Meaning
1	Hot LED Flashes	<p>Lid is open when washer is running.</p> <ul style="list-style-type: none"> • Close the lid tightly and restart the cycle. • If the information code remains, contact a customer service center.
2	Warm LED Flashes	<p>Communication error between SUB PBA and MAIN PBA.</p> <ul style="list-style-type: none"> • If the information code remains, contact a customer service center.
3	Eco Warm LED Flashes	<p>A button is not working properly.</p> <ul style="list-style-type: none"> • If the information code remains, contact a customer service center.
4	Cool LED Flashes	<p>The Water Level sensor is not working properly.</p> <p>NOTE</p> <p>When the Cool LED is flashing, the washer drains for 3 minutes. During this time, the POWER button is inoperative.</p> <ul style="list-style-type: none"> • If the information code remains, contact a customer service center.
5.	Extra High LED Flashes	<p>Your Washer has tried to fill but was unsuccessful.</p> <p>NOTE</p> <p>When the Extra High LED is flashing, the washer drains for 3 minutes. During this time, the POWER button is inoperative.</p> <ul style="list-style-type: none"> • Make sure the water faucets are open all the way. Check for kinked hoses. • Check the inlet screens on the fill hoses. • If you use a Flood Safety Device, remove the device and connect the water hoses directly to the unit. <p>Check if the hot water supply hose is connected.</p> <ul style="list-style-type: none"> • You must connect the hot water supply hose because hot water is supplied by the Auto Temperature Control (A.T.C.) function.



6.	High LED Flashes	<p>Your Washer has tried to fill but has not reached the proper water level.</p> <p>NOTE</p> <p>When the High LED is flashing, the washer drains for 3 minutes. During this time, the POWER button is inoperative.</p> <ul style="list-style-type: none"> • If the information code remains, contact a customer service center.
7	Mid LED Flashes	<p>A fault is detected in the water level sensor.</p> <p>If the information code remains, contact a customer service center.</p>
8	Low LED Flashes	<p>Your washer is not draining. It can also mean that the unit senses a small clog while draining.</p> <ul style="list-style-type: none"> • Do the following: <ol style="list-style-type: none"> 1. Turn off the unit and turn it on again. 2. Select only the Spin Only. 3. Press the START/PAUSE to drain the water. If it still does not drain, contact a customer service center.
9	Hot & Warm LEDs flash	<p>Unbalanced load prevented your Washer from spinning.</p> <ul style="list-style-type: none"> • Redistribute the load, and then press the START/PAUSE button.
10	Hot & Cool LEDs flash	<p>Motor not running properly.</p> <ul style="list-style-type: none"> • Restart the cycle by pressing the START/PAUSE button. • If the information code remains, contact a customer service center.
11	Hot & Cool LEDs flash	<p>Mems sensor is not working properly.</p> <ul style="list-style-type: none"> • If the information code remains, contact a customer service center.
12	Hot & Extra High LEDs flash	<p>Door lock is not working properly.</p> <ul style="list-style-type: none"> • Close the lid tightly and restart the cycle. • If the information code remains, contact a customer service center.



13.	Hot & High LEDs flash	<p>Door lock is not working properly.</p> <ul style="list-style-type: none"> • Close the lid tightly and restart the cycle. • If the information code remains, contact a customer service center.
14	Hot & Mid LEDs flash	<p>Thermistor is not working properly.</p> <ul style="list-style-type: none"> • If the information code remains, contact a customer service center.
15	Hot & Low LEDs flash	<p>The temperature of the supplied water is so high.</p> <ul style="list-style-type: none"> • Ensure that the cold water tap and the hot water tap are connected correctly. • If the information code remains, contact a customer service center.

For any codes not listed above, call 1-800-726-7864 (1-800-SAMSUNG).

Warning

This content is compiled from multiple sources and is provided for reference purposes only. It may not be complete or fully applicable to all situations. If you are unable to resolve your issue, please contact the product manufacturer or an authorized service provider for official support.

