

# Operating Instructions

## Control Settings

### 1. Cycles

An indicator light above the selected pad will be ON to indicate which CYCLE has been selected, on some models

POTS & PANS/ HEAVY WASH	For heavily soiled dishes or cookware with dried-on or baked-on soils. Everyday dishes may be included. This cycle will not remove burned-on foods.
NORMAL/ NORMAL WASH	This cycle is meant for daily, regular, or typical use to completely wash a full load of normally soiled dishes and is designed to conserve both water and energy.
SHORT WASH	For quickly washing loads of everyday dishes with medium soils that have not dried on, such as loads consisting mostly of glasses.
WATER SAVER LIGHT WASH	For dishes with light soils.
RINSE ONLY	For rinsing partial loads that will be washed later. Do not use detergent
DRYING PLATE WARMER	For warming clean dishes and serving plates. This cycle will take approximately 30 minutes.
HOT PREWASH HOT START	Preheats wash water to the correct temperature.
CHINA CRYSTAL	For lightly soiled china and crystal.

### 2. Options

An indicator light above the selected pad will be ON to indicate which OPTION has been selected, on some models



HI TEMP RINSE	Turns on the heater in all final rinse cycles to help prevent spotting on dishware. This option may be turned ON or OFF during the wash cycle.
HI TEMP WASH	Energizes the heater to boost water temperature in prewash and main wash fill cycles. Recommended for use with heavily soiled dishes. Option may be turned ON or OFF during the wash cycle.
HEATED DRY OFF	Shuts off the drying heat option. Dishes air dry naturally and energy is saved. Open the dishwasher door to speed drying.
HEATED DRY ON	Turns the heater on for fast drying. This cycle will extend the time to your wash cycle by 30 minutes.  DO NOT use with RINSE ONLY cycle.
LOCK	When the LOCK pad is touched twice within 3 seconds, all pads become inoperative. You can lock the controls to prevent any selections from being made. Or you can lock the controls after you have started a cycle or selected DELAY START so the cycle or DELAY START is not interrupted.  Children cannot accidentally start dishwasher by touching pads with this option selected.  To unlock the dishwasher after it has been locked, touch the LOCK pad twice within 3 seconds. The light above the LOCK pad will turn off
DELAY HOURS	Delays the start of a wash cycle for up to 8 hours.
RESET	Touch RESET to cancel options.
START/ RESET	Touch START/RESET one time to start dishwasher cycle. Touch START/RESET a second time to pump out (electronic models) and then turn off the dishwasher. Do not touch START/RESET more than one time unless you intend to end the cycle.

## Cycle Chart

Models	Cycle	Water Usage (gal.)	Cycle Time (min.)
Timer Models	Hot Start Option <sup>1</sup>	2.5	10
	Heavy Wash	4.9 - 7.0	120
	Pots & Pans	6.0 - 7.0	118
	Normal Wash*	4.0 - 5.6	110
	Light Wash/Water Saver	3.9 - 4.5	114
	Rinse Only	2.2	58
	Plate Warmer/Drying	0.0	45
Electronic Models	Pots & Pans	8.8	112
	Heavy Wash	7.5	108
	Normal Wash	4.0	120
	China/Crystal	6.3	80
	Rinse Only	1.3	5

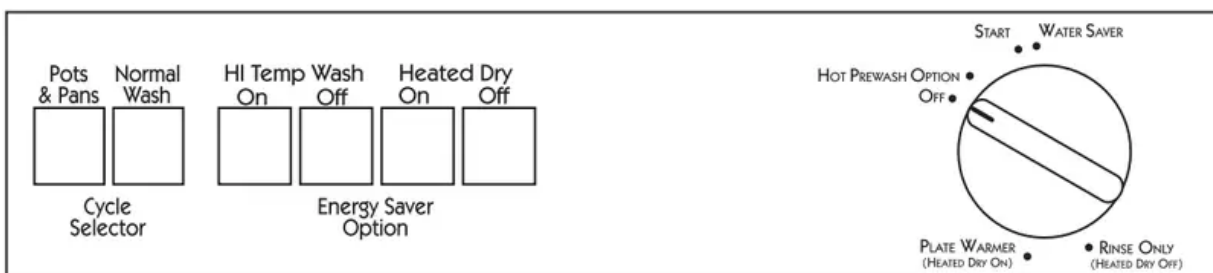
1 Hot Start Option adds water amount and cycle time shown when selected.

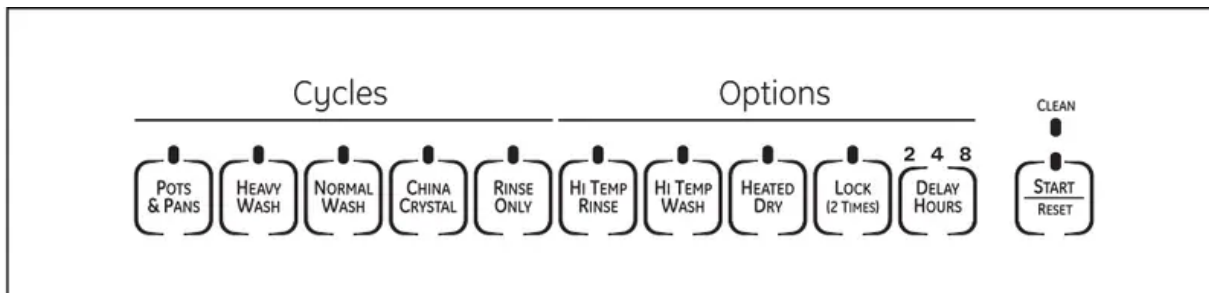
\* Normal Wash button should be pushed to run this cycle.

**NOTE:** Not all models have every cycle listed.

## Control Panels

Please match the control panel for your unit to a similar control panel below.





## Dial Cycles

### Rinse Only



For rinsing partial loads that will be washed later. Do not use detergent.

1. Make sure HEATED DRY is not selected.
2. Be sure the door is unlatched.
3. Slowly turn the Dial to RINSE ONLY.
4. Latch the door to start the cycle

## Plate Warmer or Drying



For warming clean dishes and serving plates. This cycle will take approximately 39 minutes.

1. Load clean dishware to be warmed.
2. Select HEATED DRY ON
3. Be sure the door is unlatched.
4. Slowly turn the Dial to PLATE WARMER or DRYING.
5. Latch the door to start the cycle.

## Hot Start or Hot Prestart Option



Preheats wash water.

1. Select the HOT START or HOT PRESTART cycle and any other option on the push button pad.
2. Be sure the door is unlatched.
3. Slowly turn the Dial to HOT START or HOT PRESTART.
4. Latch the door to start the cycle

### Short Wash or Light Wash or Water Saver



For quickly washing loads of everyday dishes with light to medium soils that have not dried on.

1. Be sure the door is unlatched.
2. Slowly turn the Dial to SHORT WASH, LIGHT WASH or WATER SAVER.
3. Latch the door to start the cycle.

### Start (Models with a Dial)

Slowly turn the Dial to the START or ON position, or the selected cycle. Don't turn it past the START, ON or cycle position; you could accidentally miss a prewash.

There is a time delay between start-up and water fill so you will not hear any wash action right away.

- Latch the door to begin the cycle.

## Flashing Display Lights

Lights	What It Means	What To Do
	<p>This is normal.</p> <p>The START/RESET pad has been pressed.</p>	<p>Allow the dishwasher to drain and reset before you start a new wash cycle.</p>
 <p>PLUS A BEEPING SOUND</p>	<p>Control Error</p>	<p>Press the START/RESET pad to turn off the beeper. If the CLEAN light continues to flash, call for service.</p>
 <p>PLUS A BEEPING SOUND</p>	<p>Control Error</p>	<p>Press the START/RESET pad to turn off the beeper and the dishwasher will attempt to reset. Restart the wash cycle.</p> <p>If this error continues, turn off the power to the dishwasher at the circuit breaker for 30 seconds. Try the dishwasher again.</p> <p>If the error is still present, call for service.</p>

## Using the Dishwasher

### Check the Water Temperature

The entering water must be at least 120°F and not more than 150°F, for effective cleaning and to prevent dish damage. Check the water temperature with a candy or meat thermometer. Turn on the hot water faucet nearest the dishwasher, place the thermometer in a glass and let the water run continuously into the glass until the temperature stops rising.

Adjust the maximum/minimum temperature of the water heater if necessary to deliver water at the proper temperature.

## Use a Rinse Agent such as Cascade® Rinse Aid™

Rinse agents, such as Cascade® Rinse Aid™ are designed for great drying action and to protect against spots and film build-up on your dishes, glasses, flatware, cookware, and plastic

### Filling the Dispenser



Fill the rinse agent dispenser until it reaches the bottom of lip inside the opening. Replace cap.

To check if rinse agent is needed, remove the cap and look into the dispenser.

A full dispenser should last about one month.

If the rinse agent spills, wipe up the excess.

### Proper Use of Detergent

Use only detergent specifically made for use in dishwashers. Cascade® Automatic Dishwashing Detergents have been approved for use in all GE dishwashers. Keep your detergent fresh and dry. Don't put powder detergent into the dispenser until you're ready to wash dishes.

The amount of detergent to use depends on whether your water is hard or soft. With hard water, you need extra detergent. With soft water, you need less detergent.

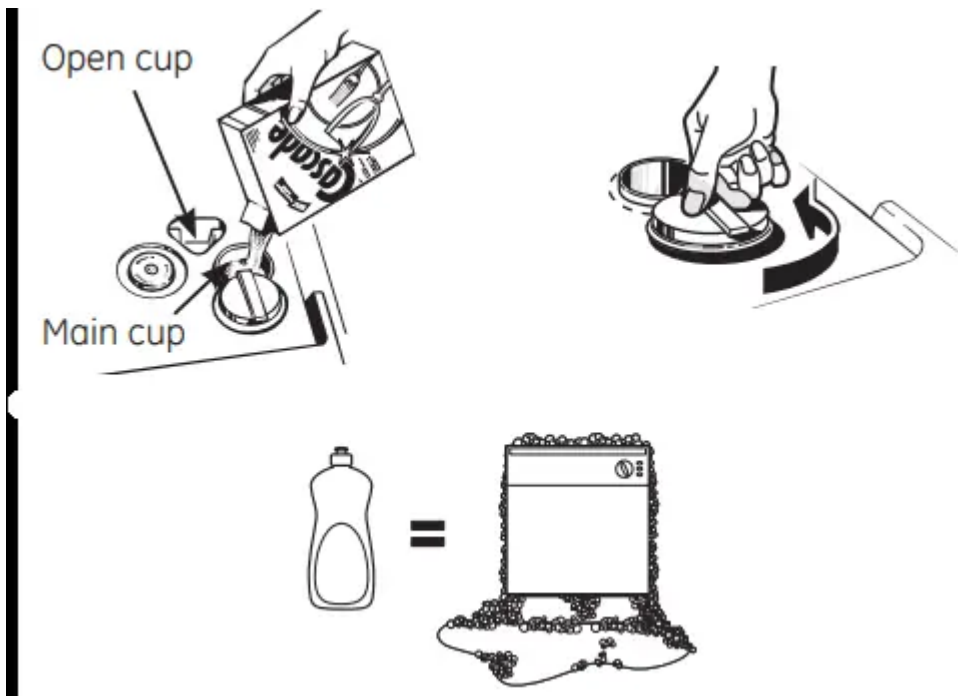
Protect your dishes and dishwasher by contacting your water department and asking how hard your water is. Twelve or more grains is extremely hard water. A water softener is recommended. Without it, lime can build up in the water valve, which could stick while open and cause flooding. Too much detergent with soft water can cause a permanent cloudiness of glassware, called etching.

Use the information in the table below as a guideline to determine the amount of automatic dishwasher detergent to place in the dispenser.

<b>Number of Grains</b>	<b>Detergent Cups to Fill</b>
Less than 4	Fill to 1/3 of main cup
4 to 8	Fill to 2/3 of main cup
8 to 12	Fill main cup
Greater than 12	Fill main cup and open cup

You'll find two detergent dispensers on the inside door of your dishwasher. All wash cycles require detergent in the main cup. When using automatic dishwashing detergent tabs, simply place one tab in the main cup and close.

Be sure the Dial is OFF before adding detergent. Otherwise, the detergent cup will not close and latch properly. Add detergent then close the main cup.



**NOTE:** Using a detergent that is not specifically designed for dishwashers will cause the dishwasher to fill with suds. During operation, these suds will spill out of the dishwasher vents, covering the kitchen floor and making the floor wet.

Because so many detergent containers look alike, store the dishwasher detergent in a separate space from all other cleaners. Show anyone who may use the dishwasher the correct detergent and where it is stored.

While there will be no lasting damage to the dishwasher, your dishes will not get clean using a dishwashing detergent that is not formulated to work with dishwashers.

## Loading the Dishwasher Racks

### Upper Rack



The upper rack is for glasses, cups and saucers. Cups and glasses fit best along the sides. This is also a secure place for dishwasher-safe plastics. The upper rack is good for all kinds of odd-shaped utensils.

Saucepans, mixing bowls and other items should be placed face down. Secure larger dishwasher-safe plastics over two fingers when possible.

Make sure small plastic items are secure so they can't fall onto the heating element.

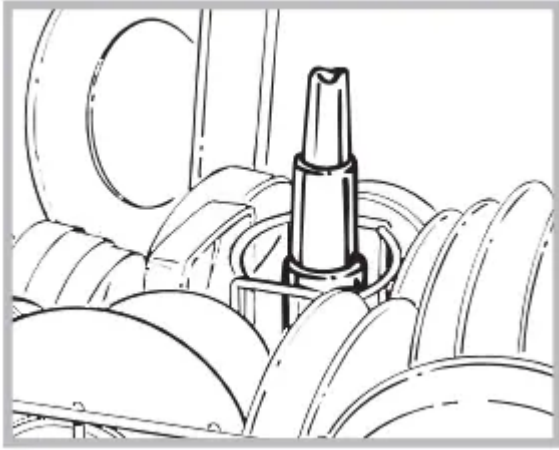
### Lower Rack



When loading the lower rack, do not load large platters or trays in the front right corner. They may prevent detergent from circulating during the wash cycle.

The lower rack is best used for plates, saucers and cookware. Large items such as broiler pans and racks should go along the sides. Load platters, pots and bowls along the sides, in corners or in the back. The soiled side of items should face the center of the rack.

## Wash Tower



Keep the center area clear in the lower rack.

The wash tower rises through the center of the lower rack during the wash and rinse portions of the cycle.

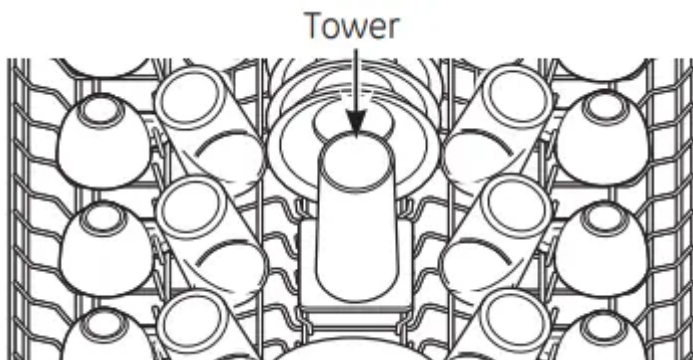


Don't block the wash tower or load tall things next to it.

Be sure items don't fall through rack and block rotation of the spray arm.

Also, be careful not to let a portion of an item such as a pot or dish handle extend through the bottom rack. This could block the wash arm and cause poor washing results

Don't block the upper rack wash tower.



## Silverware Basket



Put flatware in the removable basket with fork and knife handles up to protect your hands. Place spoons in the basket with handles down. Mix knives, forks and spoons so they don't nest together. Distribute evenly. Small plastic items, such as measuring spoons and lids from small containers, should go in the bottom of the silverware basket with silverware on top.

**DON'T LET ANY ITEM EXTEND THROUGH BOTTOM OF SILVERWARE BASKET AND RACK, TO ENSURE PROPER FUNCTION OF SPRAY ARM.**

## Loading Place Settings



*Upper Rack—10 place settings*



*Upper Rack—10 place settings*



*Lower Rack—10 place settings*



*Upper Rack—12 place settings*



*Upper Rack—12 place settings*



*Lower Rack—12 place settings*

## Forget to Add a Dish?

A forgotten dish can be added any time before the main wash.

1. Push the door latch to the left.
2. Once the water calms, open the door. Steam may rise out of the dishwasher.
3. Add forgotten dish.
4. Close the door and push the latch to the far right.

## Tips for Loading and Good Wash Performance

- Don't block the lower rack wash tower.



- Don't let items fall through rack and block spray arms.



## Care and Cleaning

To clean the control panel, use a lightly dampened cloth, then dry thoroughly. To clean the exterior, use a good appliance polish. Never use sharp objects, scouring pads or harsh cleaners on any part of the dishwasher.

## Protect Against Freezing

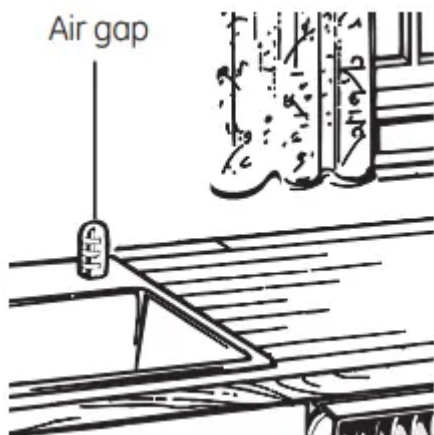


Sump cover screws

If your dishwasher is left in an unheated place during the winter, ask a service technician to:

1. Cut off electrical power to the dishwasher. Remove fuses or trip circuit breaker.
2. Turn off the water supply and disconnect the water inlet line from the water valve.
3. Drain water from the inlet line and water valve. (Use a pan to catch the water.)
4. Reconnect the water inlet line to the water valve.
5. Remove the plastic sump cover in the tub bottom and use a sponge to soak up water in the rubber boot.

## Does Your Dishwasher Have an Air Gap?



An air gap protects your dishwasher against water backing up into it if a drain clogs. The air gap is not a part of the dishwasher. It is not covered by your warranty. Not all plumbing codes require air gaps, so you may not have one.

Check the air gap any time your dishwasher isn't draining well.

### **The air gap is easy to clean.**

1. Turn off the dishwasher and lift off the chrome cover.
2. Unscrew the plastic cap and clean with a toothpick.

## **Stainless Steel Panels**

**For cleaning rust and tarnish**, cleaners with oxalic acid such as Bar Keepers Friend Soft Cleanser™ will remove rust, tarnish and small blemishes. Use only a liquid cleanser free of grit and rub in the direction of the brush lines with a damp soft sponge. Do not use appliance wax or polish on the stainless steel.

**For other blemishes and marks**, use Stainless Steel Magic or a similar product using a clean soft cloth. Do not use appliance wax, polish, bleach or products containing chlorine on Stainless Steel.

# Troubleshooting



<b>Problem</b>	<b>Possible Causes</b>	<b>What To Do</b>
Dishwasher won't run	Fuse is blown, or the circuit breaker tripped	Replace fuse or reset circuit breaker. Remove any other appliances from the circuit.  Try pressing the START/RESET pad (Electronic models) two times
	Power is turned off	In some installations, power to the dishwasher is provided through a wall switch, often located next to the disposer switch. Make sure it is on.
Noise	Some of the sounds you'll hear are normal	Soft food disposal shredding action.  Drain valve opening to pump water out.  Timer control as cycle progresses.  Detergent cup opening.  The motor stopping during the drying period.  Water draining out of tub immediately after touching the START/RESET pad
	Utensils are not secure in rack or something small has dropped into rack	Make sure everything is secured in dishwasher.
	Rattling dishes when the spray arm rotates	Make sure dishes are properly loaded.
	Motor hums	Dishwasher has not been used on a regular basis. If you do not use your dishwasher often, set it to fill and pump out once every week. This will help keep the seal moist.
Water standing in the bottom of the tub	This is normal	A small amount of clean water around the outlet on the tub bottom at the back of the tub keeps the water seal lubricated.
Water won't pump	Drain is clogged	If you have an air gap, clean it.  Check to see if your kitchen sink is draining well. If not, you may need a plumber.



Problem	Possible Causes	What To Do
out of the tub		If the dishwasher drains into a disposer, run disposer clear.
Suds in the tub	Wrong detergent was used	Use only automatic dishwasher detergents to avoid sudsing.  To remove suds from the tub, open the dishwasher and let suds dissipate. Add 1 gallon of cold water to the tub. On Models with a Dial: Close and latch the dishwasher. Pump out water by slowly turning the Dial until a drain period is reached. Repeat if necessary. On Models with Electronic Control: Pump out water by pressing the START/RESET pad, then 10 seconds later, press START/RESET pad again. Repeat if necessary
	Rinse agent was spilled	Always wipe up rinse agent spills immediately
Stained tub interior	Some tomato-based foods can cause reddish stains	Use of the RINSE ONLY cycle after adding the dish to the load can decrease the level of staining. GE recommends Cascade® Plastic Booster to help remove these types of stains
	Tea or coffee stains	Remove the stain by hand, using a solution of 1/2 cup bleach and 3 cups warm water.  <b>WARNING:</b> Before cleaning interior, wait at least 20 minutes after a cycle for the heating elements to cool down. Failure to do so can result in burns.
	An overall yellow or brown film can be caused by iron deposits in water	A special filter in the water supply line is the only way to correct this problem.
	White film on inside surface - hard water minerals	GE recommends Cascade Crystal Clear® to help prevent hard water mineral deposits from forming.  Run dishwasher with citric acid to remove mineral deposits. Citric acid (Part number: WD35X151) can be ordered through GE Parts. See back cover for ordering information

<b>Problem</b>	<b>Possible Causes</b>	<b>What To Do</b>
Dishes don't dry	Low inlet water temperature	Make sure inlet water temperature is at least 120°F. Select HEATED DRY. Use HOT START and ADDED HEAT options Select a higher cycle, such as POTS & PANS or HEAVY WASH.
	Rinse agent dispenser is empty	Check the rinse agent dispenser and fill as required.
Dishes and flatware not clean	Inlet water temperature is below 120°F.	Raise the water heater temperature to 120°F. Use HOT START, POTS & PANS or HEAVY WASH and HI TEMP WASH
	Too little detergent	See Using the dishwasher section, refer to Proper Use of Detergent for detergent recommendations.
	Old or damp powdered detergent	See Using the dishwasher section, refer to Proper Use of Detergent for detergent recommendations.
	Water pressure is temporarily low	Turn on a faucet. Is water coming out more slowly than usual? If so, wait until pressure is normal before using your dishwasher.
	Air gap is clogged	Clean the air gap.
	Improper rack loading	Make sure large dishware does not block detergent dispenser or wash arm.
	No air gap or high drain loop	Verify that you have an air gap or a high drain loop
Spots and filming on glasses and flatware	Extremely hard water Low inlet water temperature Overloading the dishwasher Improper loading	Use Cascade® Rinse Aid™ rinse agents to remove spots and prevent new film buildup To remove stubborn spots and pre-existing film from glassware: 1. Remove all metal utensils from the dishwasher. 2. Do not add detergent. 3. Select the longest cycle.



<b>Problem</b>	<b>Possible Causes</b>	<b>What To Do</b>
	<p>Old or damp powder detergent</p> <p>Rinse agent dispenser empty</p> <p>Too little detergent</p>	<p>4. Start the dishwasher and allow to run for 18 to 22 minutes. Dishwasher will now be in the main wash.</p> <p>5. Open the door and pour 2 cups (500 ml) of white vinegar into the bottom of the dishwasher.</p> <p>6. Close the door and allow to complete the cycle. If vinegar rinse doesn't work: Repeat as above, except use 1/4 cup (60 ml) of citric acid crystals instead of vinegar.</p>
Cloudiness on glassware	Combination of soft water and too much detergent	This is called etching and is permanent. To prevent this from happening, use less detergent if you have soft water. Wash glassware in the shortest cycle that will get it clean.
	Water temperature entering the dishwasher exceeds 150°F.	Lower the water heater temperature.
Detergent cup lid won't latch	Dial is not in the OFF position	Turn the Timer Dial to OFF.
Detergent left in dispenser cups	Dishes are blocking the detergent cups	Reposition the dishes.
Steam	This is normal	Steam comes through the vent by the door latch during drying and when water is being pumped out.
Black or gray marks on dishes	Aluminum utensils have rubbed against dishes	Remove marks with a mild, abrasive cleaner.
Control panel lights go off when you are setting controls	Time too long between touching or selecting pads	Each pad must be touched within 30 seconds of the others. To relight, touch any pad again or unlatch and relatch the door.
		Call for service.

Problem	Possible Causes	What To Do
Control panel responded to inputs but dishwasher never filled with water	Door latch may not be properly seated	

**Warning**

This content is compiled from multiple sources and is provided for reference purposes only. It may not be complete or fully applicable to all situations. If you are unable to resolve your issue, please contact the product manufacturer or an authorized service provider for official support.

