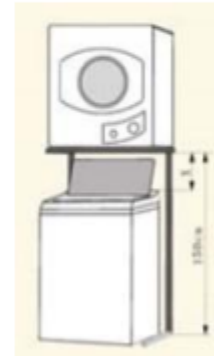
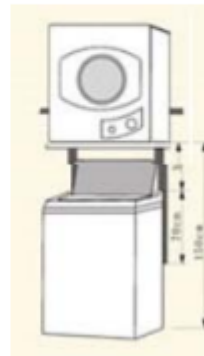
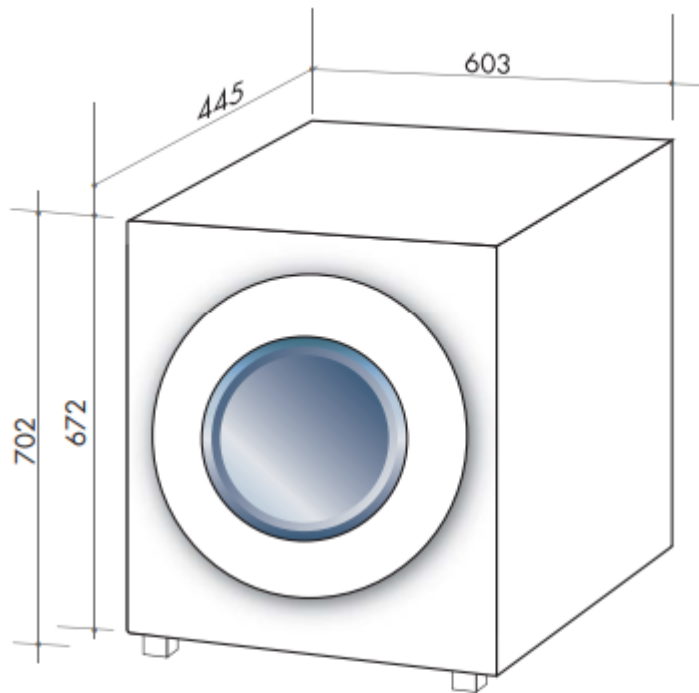


User manual Dryer



NB: drawings are not to scale — they are to be used as a guide only

SIZE mm: 603W x 445D x 702H

FINISH: white enamel

CAPACITY: 4kg

FEATURES

- PTC heating element (quick dry)
- stainless steel drum
- automatic overheat cutoff
- easy-to-clean double-layer flint filter
- high-speed rotating turbo fan
- automatic disinfection
- child safety lock
- auto stop when door opened

- upright floor mounted
- upside-down wall mounted
- total dry capacity 4kg
- white enamel
- inner drum speed: 50 rpm
- thermostat: 60°C
- centrifugal blast type motor
- mechanical controls
- input power: 800–1400W
- heating power: 700/1300W
- motor output power: 90W
- <6% residual water
- drying time setting: 0–200 minutes
- external dimensions: 603W x 445D x 702H
- drum dimensions: 560x304mm
- net weight: 20kg
- 4 x removable 30mmH legs
- spacer
- direct ducting: rear vent for optional fitting of supplied flexible ducting kit
- one-way drum rotation

POWER: 220–240 V, 50Hz

2.2m power cord with 3-pin 10 amp plug



DRYING CAPACITY	DRYING TIME	
	Regular (minutes)	Airing (minutes)
approx 1kg	approx 30	approx 55
approx 2kg	approx 60	approx 110
approx 3kg	approx 120	
approx 4kg	approx 200	

Warning

This content is compiled from multiple sources and is provided for reference purposes only. It may not be complete or fully applicable to all situations. If you are unable to resolve your issue, please contact the product manufacturer or an authorized service provider for official support.