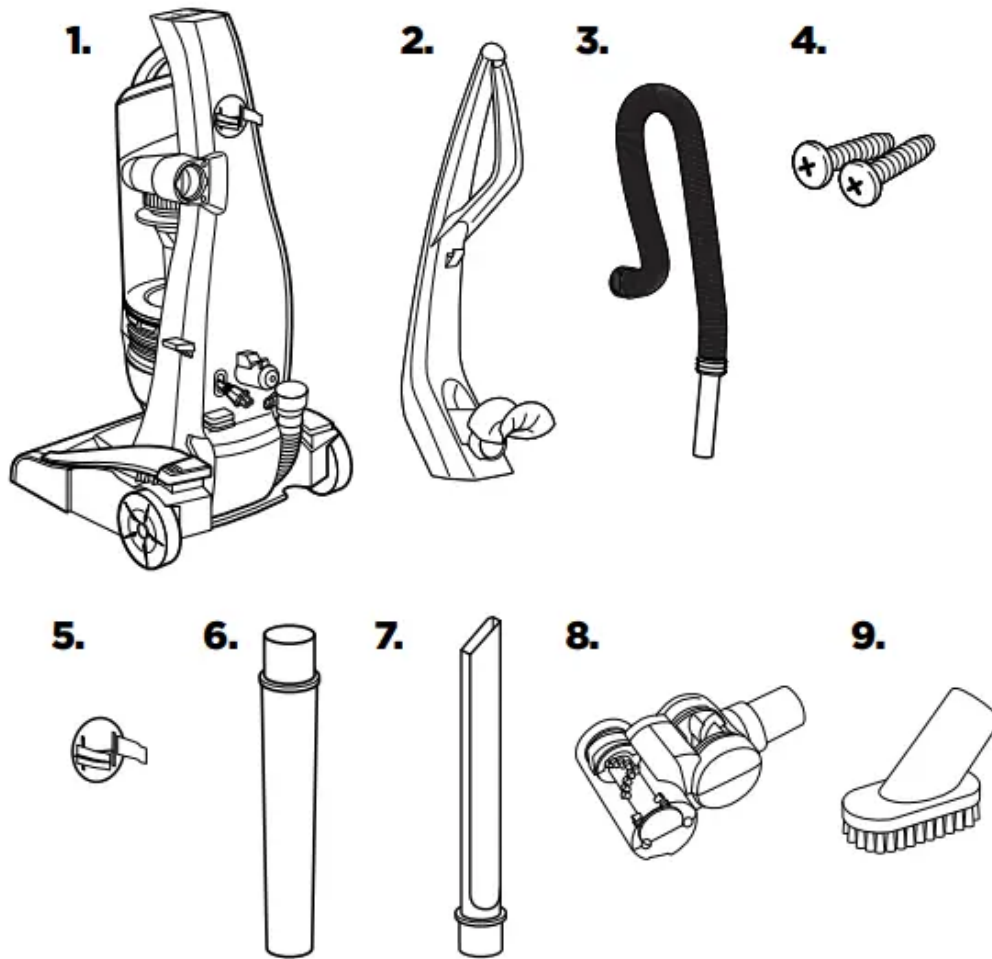


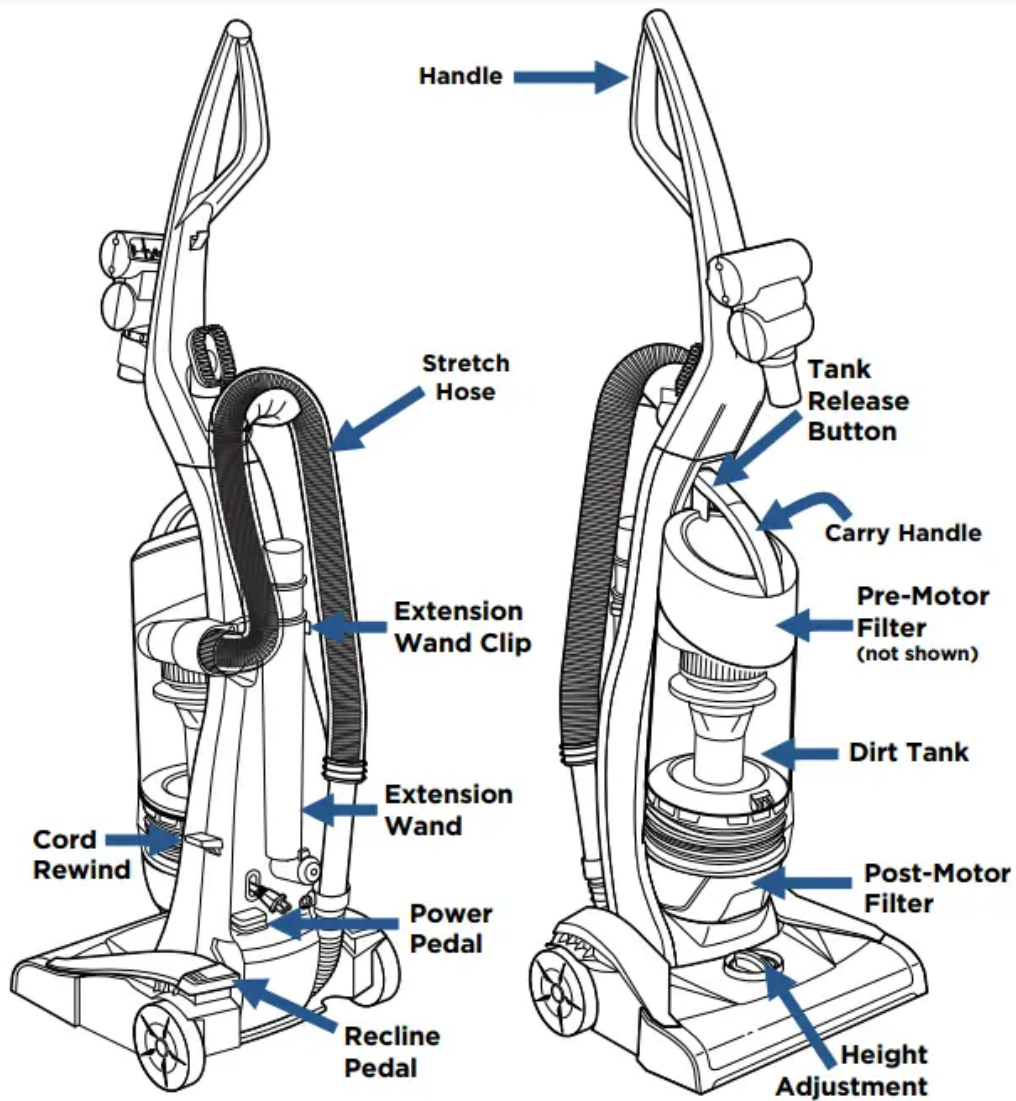
What's In The Box?



1. Vacuum Base
2. Handle
3. Hose
4. 2 Screws (taped to Handle)
5. Extension Wand Clip
6. Extension Wand
7. Crevice Tool (stored inside Extension Wand)
8. TurboBrush® Tool
9. Dusting Brush

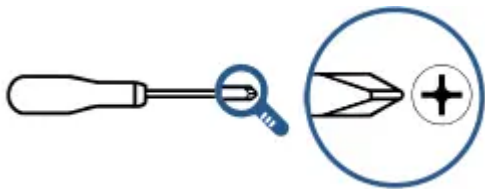
NOTE: Not all accessories come with every model. Be sure to check the carton for additional tools.

Product View

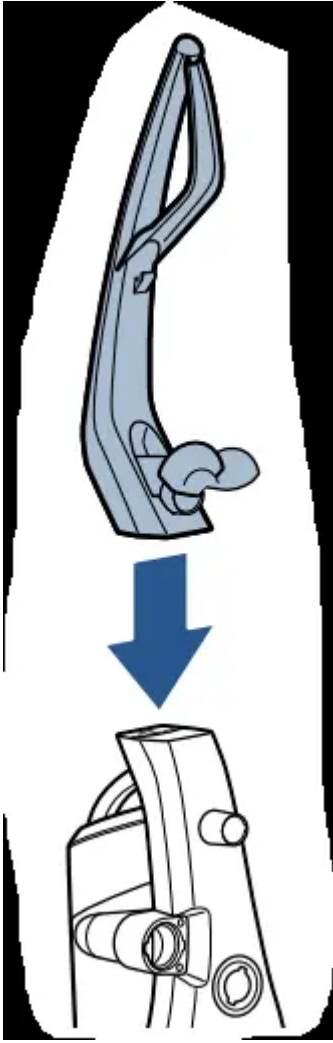


Assembly

The only tool you will need to assemble your vacuum is a Phillips screwdriver.

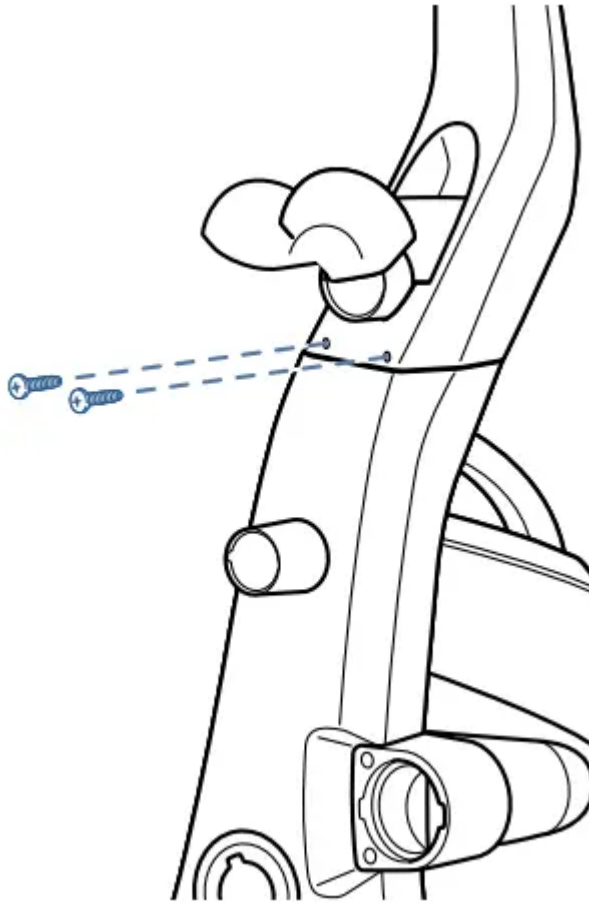


1. Place handle on vacuum base and press down firmly.

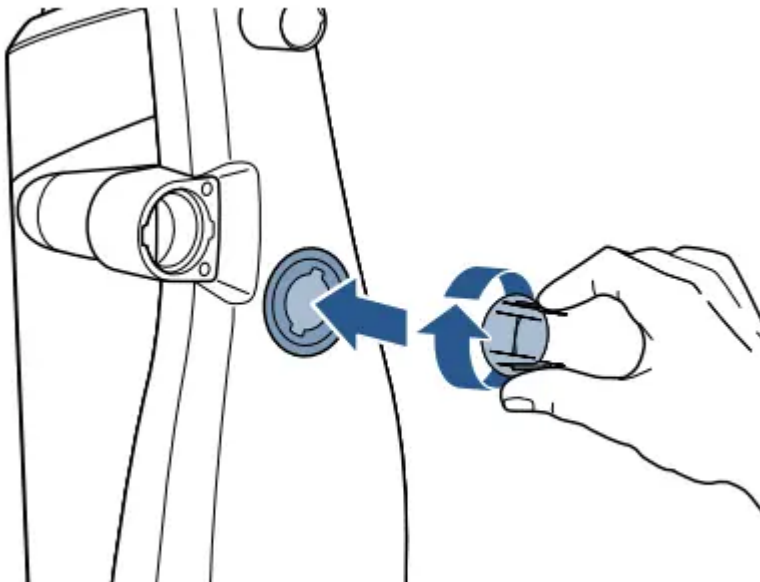


2. Insert screws in back of unit.

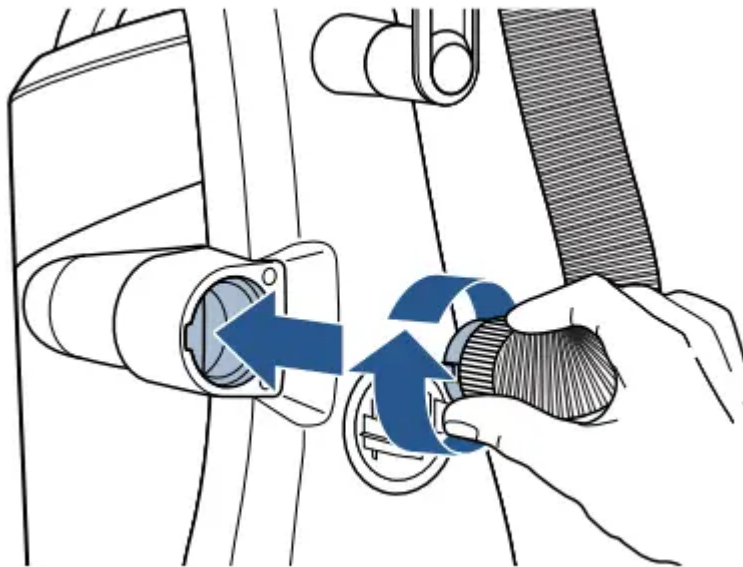
Tighten by rotating the screw clockwise until tightened.



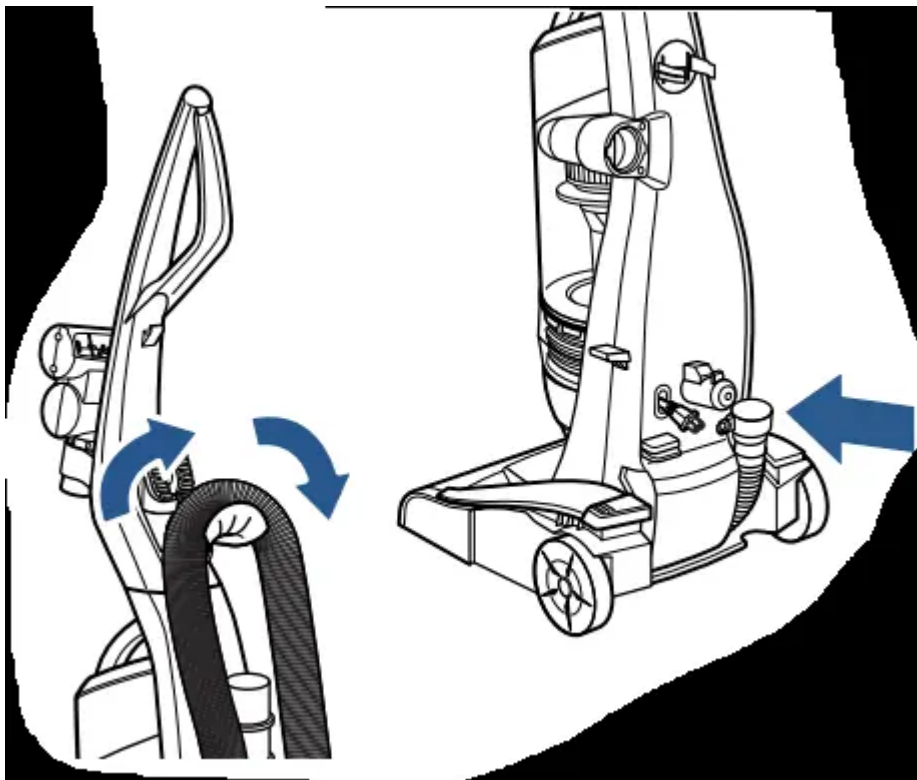
3. Place extension wand clip on back of unit, twist clockwise to lock in.



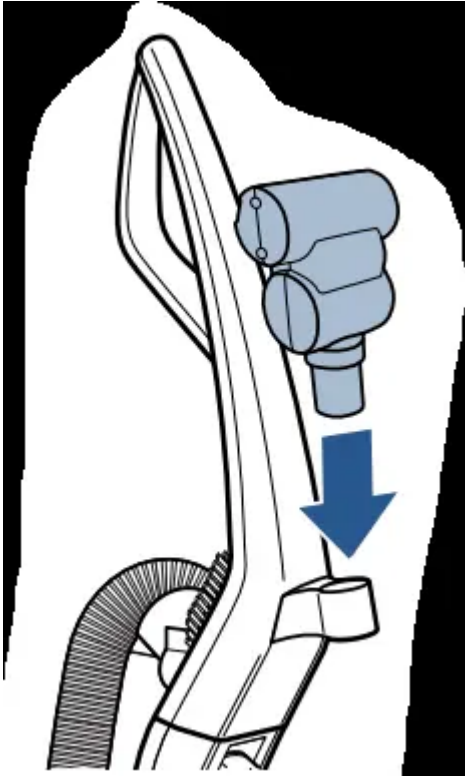
4. Line up tabs on hose end to vacuum base and twist clockwise to lock in.



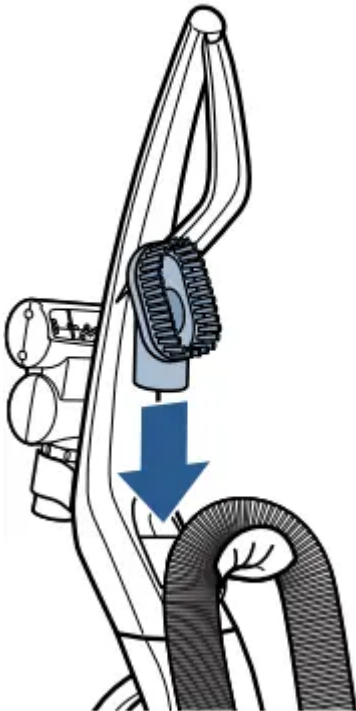
5. Wrap hose up and around the hose wrap on the handle. Slide end of hose into vacuum base.



6. Store TurboBrush® on front of handle.




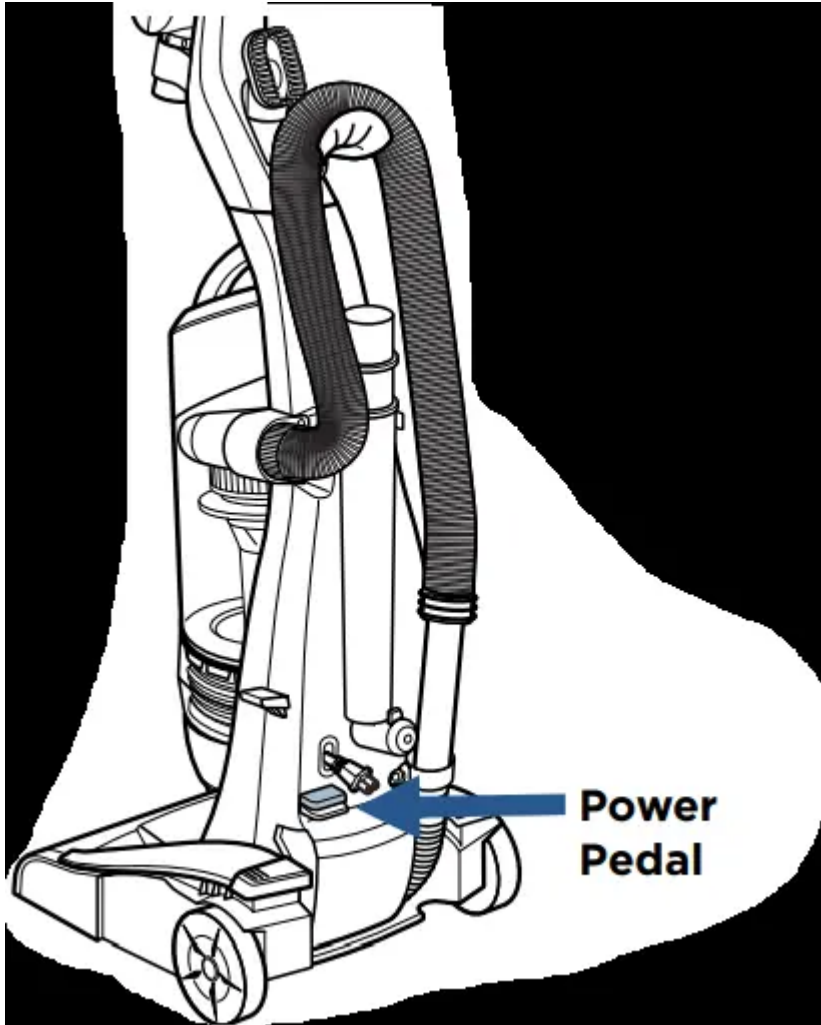
7. Store dusting brush above hose wrap in holder.



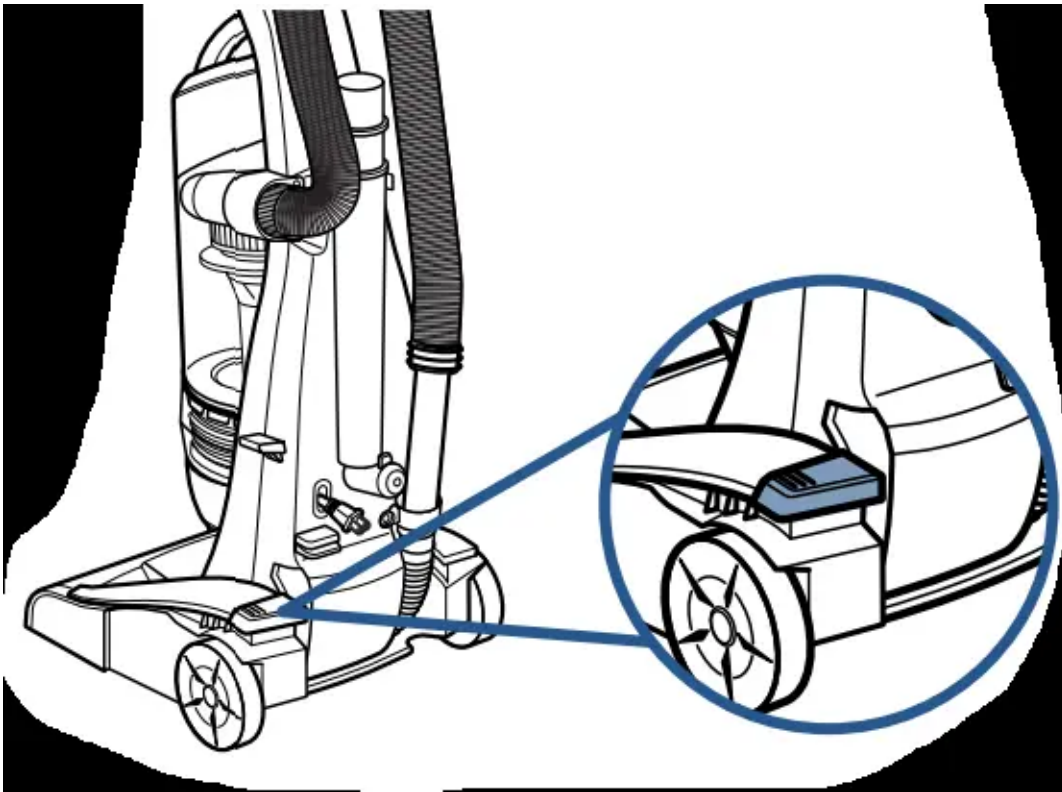
NOTE: The powerfoot will not suction properly unless the hose is firmly attached.

Operations: Power On & Settings

1. Push the Red Power Switch Pedal  once to turn the unit ON and once again to turn the unit OFF.



2. Press the recline pedal and pull handle back towards you.

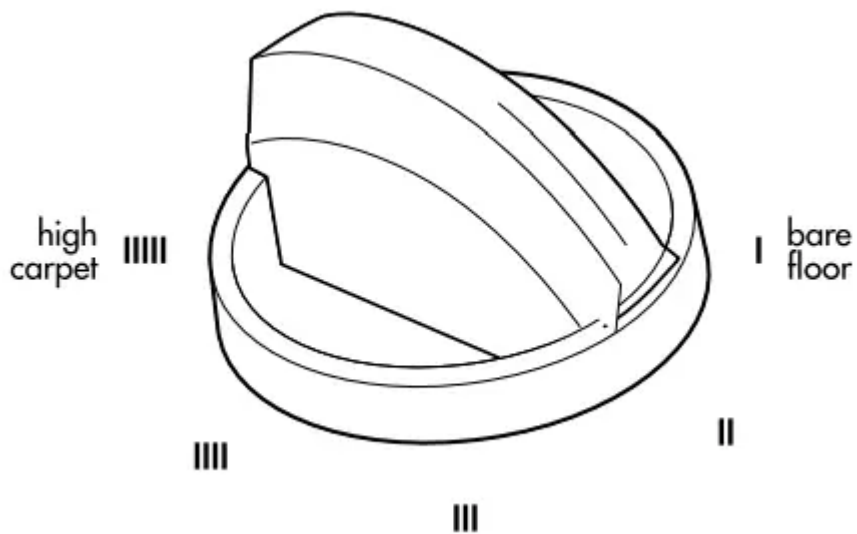


3. Turn the dial on the foot of the vacuum to the desired setting. If the dial is difficult to turn, tilt the vacuum back slightly to take the weight off the foot while turning. Press the recline pedal and pull handle back towards you.

Lowest setting – For low pile carpet or bare floors. To pick up debris, it may be necessary to move up one setting.

Medium setting – For medium pile carpet.

Highest setting – For high pile and most shag carpet.



TIP:

- For optimal carpet cleaning performance, adjust to the lowest practical setting. If your vacuum is difficult to push, adjust to the next higher setting.
- To operate the cord rewind, gently pull out power cord and stop when yellow band is visible on the cord. Do not pull power cord beyond the red line. To return cord, hold plug and press automatic cord rewind button locate on the lower side of the unit. Do not allow plug to whip when rewinding.

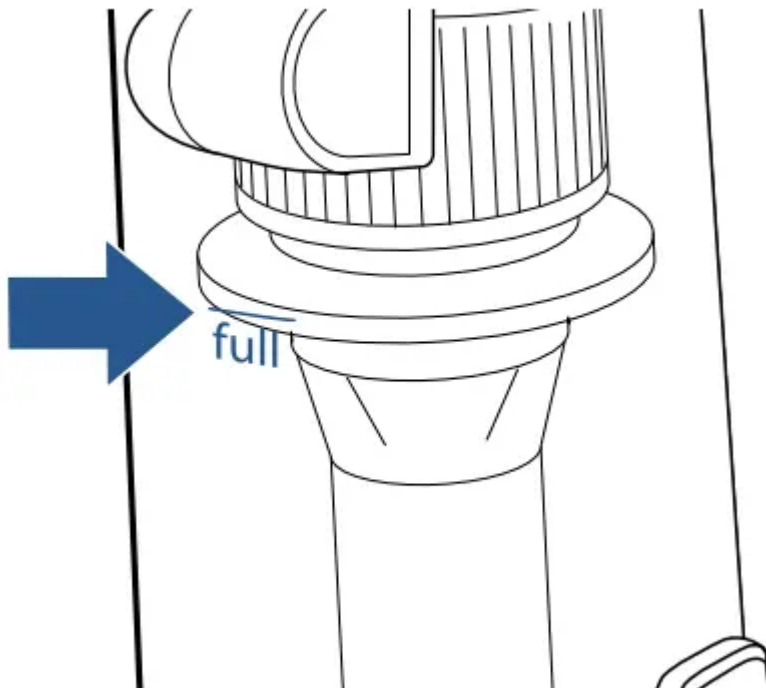
NOTE:

- The rotating floor brush continues to rotate while tools are in use. Never place your fingers under the vacuum when it is running. Never place powerfoot on furniture or uneven surfaces. Do not place vacuum close enough to objects to pull them into rotating brush.
- Certain carpets and low humidity conditions may generate small static discharges. Static discharges are entirely harmless and are not associated in any way with the main power supply.

Maintenance

Clean Dirt Tank

1. Empty once tank is full.

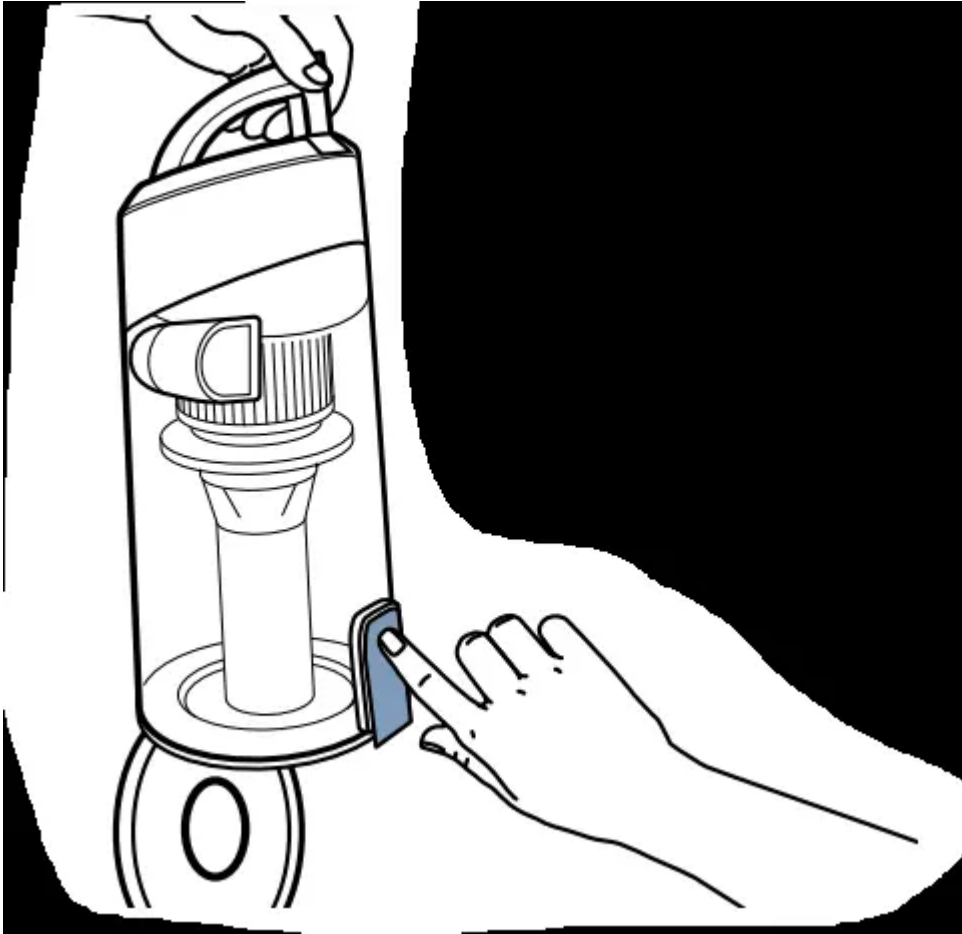


2. Press tank release button and remove dirt tank.



3. Hold the dirt tank over a trash container.

Press the lid release button to empty. Once empty, close the lid.



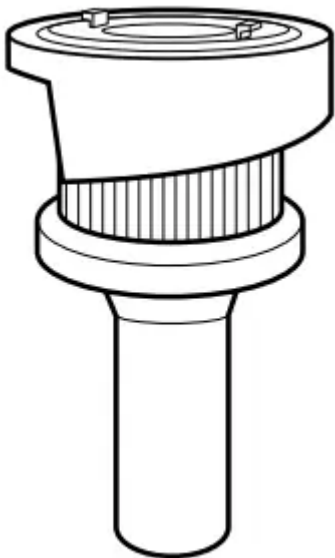
4. Twist cyclone counter clockwise and pull down to remove from tank.



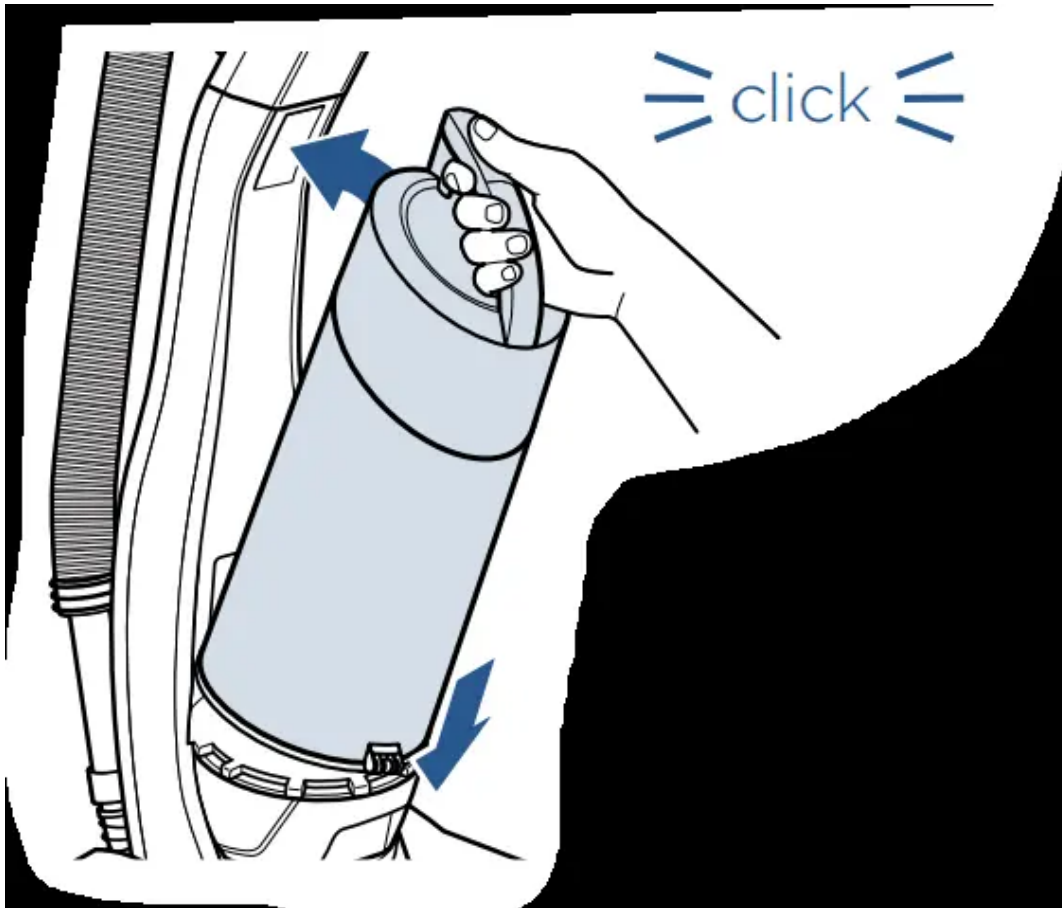
5. Clean cyclone with warm water and mild detergent.

Let cyclone completely dry before replacing.

To replace, align arrow on cyclone with the unlock ICON on the back of the tank. Press in and turn clockwise to lock.



6. After emptied, place tank back on vacuum and press firmly until you hear “click”.

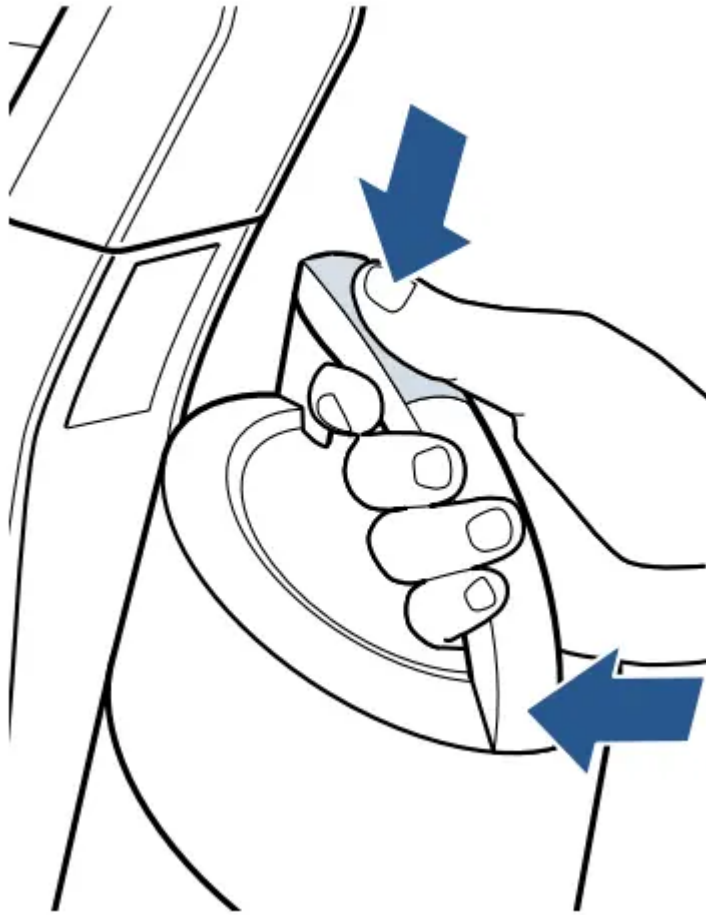


NOTE: The dirt tank may be washed in warm water with a mild detergent. Make sure it is completely dry before replacing.

Pre-Motor Filter

1. Press tank release button and remove dirt tank.

To access filter, Press the Filter button on front.



2. Remove foam filter from tray. Hand wash in warm water; mild detergent may be used if desired. Rinse well and then air dry thoroughly.

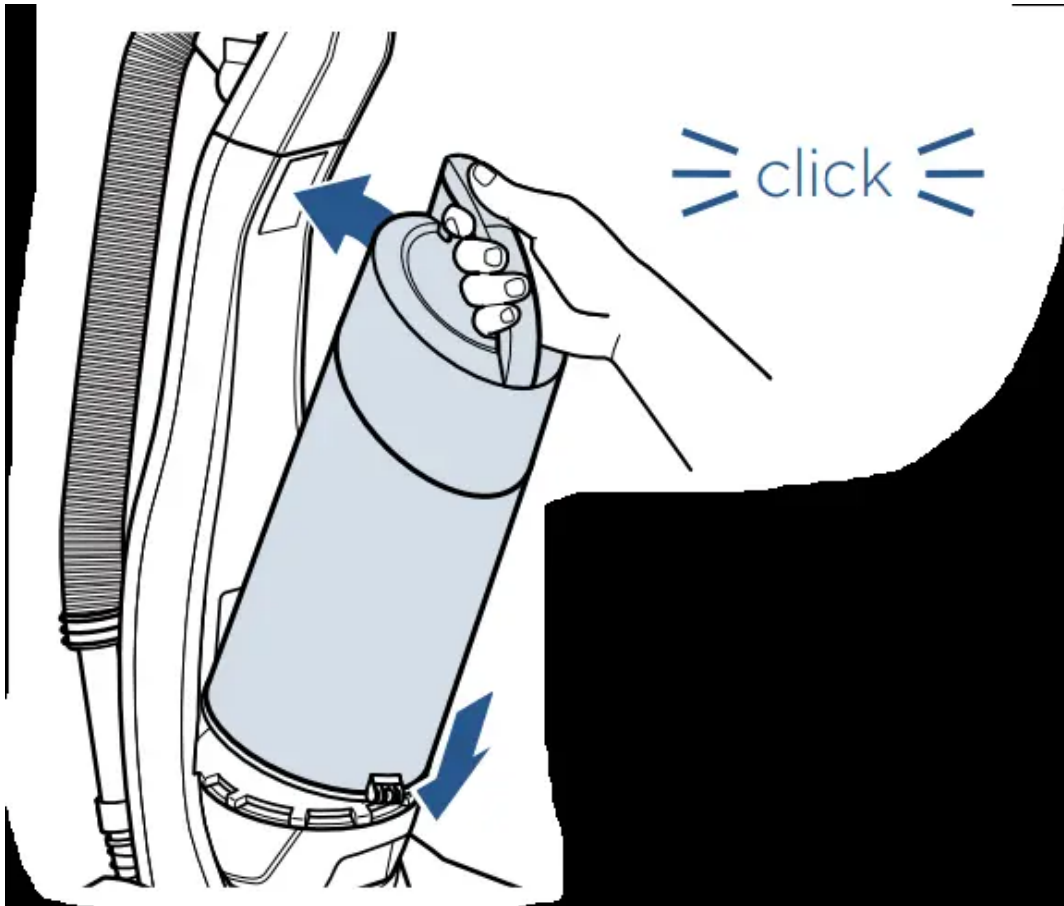


3. Make sure filter is completely dry before placing back into the tank lid.

Close the lid to return the tank to the vacuum.

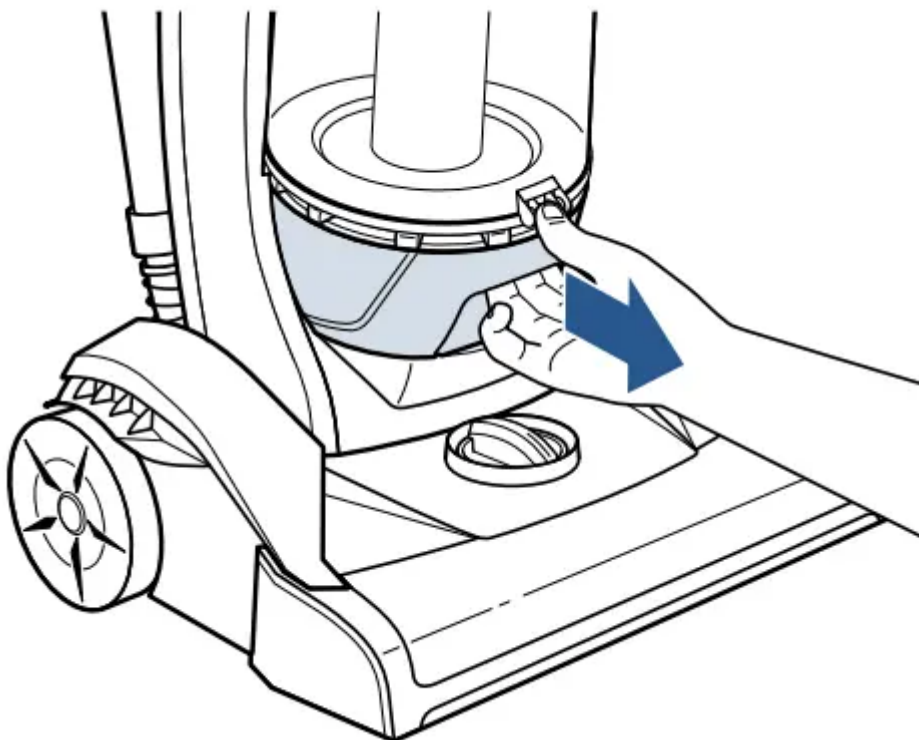


4. Return tank back on vacuum and press firmly until you hear “click”.



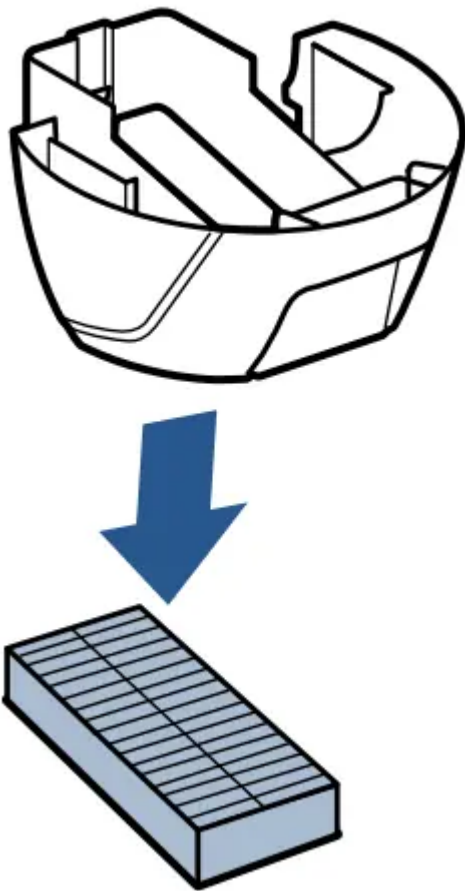
Post-Motor Filter

1. Firmly pull filter tray out.



2. Push pleated filter down through filter tray.

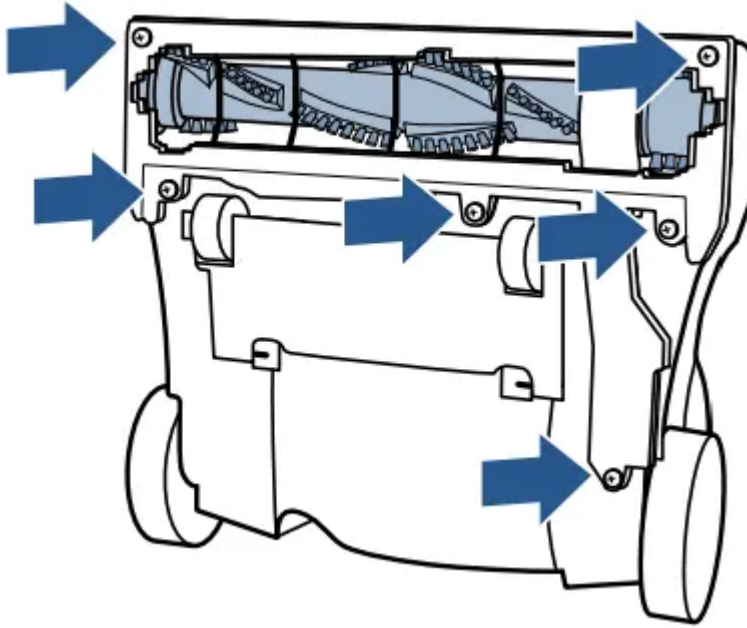
NOTE: If dust and/or debris accumulates on the filter, gently tap the filter on the side of a garbage container.



NOTE: The pleated post-motor filter may NOT be washed with water or detergent. Replace the post-motor filter every 3 to 6 months.

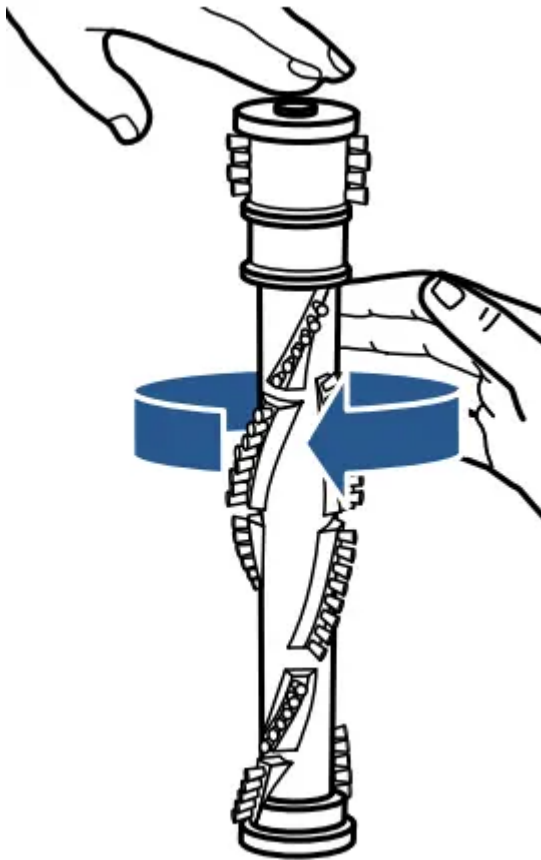
Brush & Belt

1. Unplug vacuum, turn over and unscrew six (6) Philips head screws to remove the bottom cover.

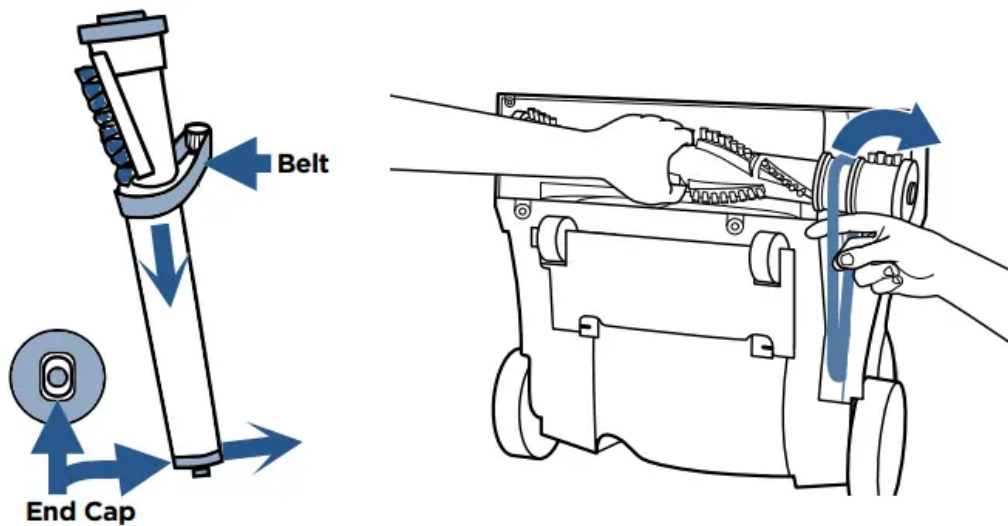


2. Clean debris from brush roll. Inspect by placing it on its end and spin. The brush roll should spin freely, multiple times by one flick. If it doesn't, replace brush roll.

Check belt for wear or cuts and replace if necessary.



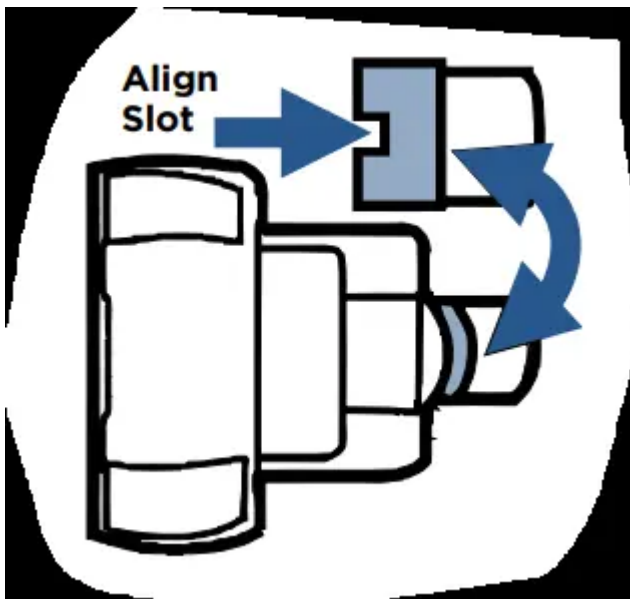
3. Thread belt and line up End Cap to reassemble roller. Replace bottom cover and 6 screws.



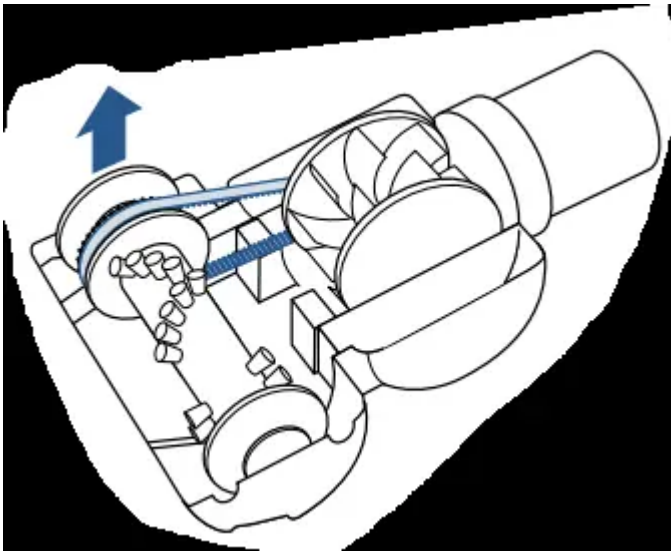
NOTE: If an object becomes lodged in foot and brush shuts off, turn vacuum off and unplug from electrical outlet. Remove obstruction and brush will automatically reset when vacuum is plugged and turned back on.

TurboBrush® & TurboEraser® Too

1. Twist gray collar counter clockwise, until slot appears, then separate faceplate.



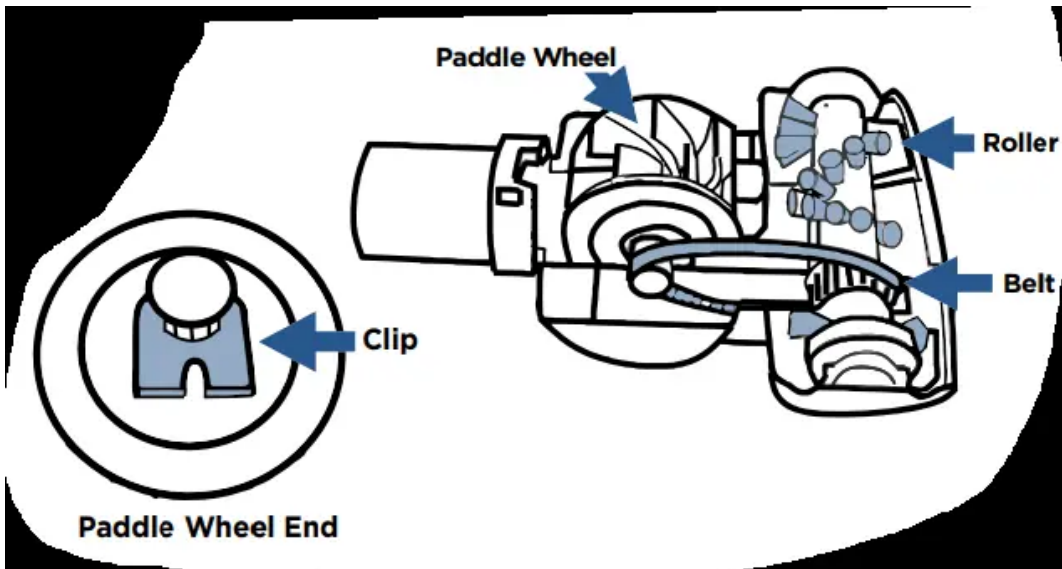
2. Remove brush roll, belt, and paddle wheel. Inspect for damages and replace if necessary.



3. To reassemble, align two clips on each end of paddle wheel with belt on and pop back into place.

Place brush roll with belt back in.

Faceplate will not close properly if all parts are not aligned correctly.



Troubleshooting



Problem	Possible causes	Remedies
Vacuum won't turn on	Power cord not plugged in	Check electrical plug
	Blown fuse/tripped breaker	Check/replace fuse or reset breaker
Vacuum won't pick up dirt	Incorrect height adjustment	Adjust powerfoot to correct height setting
	Hose not attached to suction opening	Grasp the hose wand and firmly push into the hose wand base
	Crack or hole in hose	Check hose and replace if needed
	Broken or worn drive belt	Replace drive belt
	Rotating floor brush jammed	Remove brush and clean debris from brush ends
	Clog in vacuum	Check for debris build-up or clogs in the inner tank, hose and foot/lower hose; See online video for more help
	Dirt tank full	Empty dirt tank
	Dirt tank or upper tank not installed properly	Position correctly and lock in place
	Filters are dirty	Check and clean or replace pre-motor and post-motor filters
Tool won't pick up	Crack or hole in hose	Check hose and replace if needed
	Clog in vacuum	Check for debris build-up or clogs in the inner tank, hose and foot/lower hose; See online video for more help
	Dirt tank full	Empty dirt tank

Problem	Possible causes	Remedies
	Dirt tank or upper tank not installed properly	Position correctly and lock in place
	Filters are dirty	Check and clean or replace pre-motor and post-motor filters
Vacuum difficult to push	Incorrect height adjustment	Adjust powerfoot to correct height setting
Visible dirt escaping from vacuum	Dirt tank full	Empty dirt tank
	Filters missing or installed incorrectly	Check pre-motor and post-motor filters for correct installation

Warning

This content is compiled from multiple sources and is provided for reference purposes only. It may not be complete or fully applicable to all situations. If you are unable to resolve your issue, please contact the product manufacturer or an authorized service provider for official support.