

USING THE COMBO WASHER/DRYER

Getting started

Introduction

- This unit allows: wash only; dry only; wash and dry cycles.
- Fill the drum 2/3 full with laundry for best wash and dry performance. This allows air movement and proper drying. A fully loaded drum will lead to longer dry times.

NOTE: During Dry cycles temperatures in the unit can get very hot. For this reason, the door will lock during the dry cycle and remain locked, after pausing or at the end of the cycle, until temperatures cool down. Forcing the door open will result in a broken door mechanism.

- This unit uses condenser drying technology. This enables installation and use without a vent, but loads take approximately 1.5 times longer to dry than a traditional vented dryer.


Throughout this manual, features and appearance may vary from your model.

Quick Start

Step 1



- Add fabric softener to the fabric softener dispenser
- Add the manufacturer's recommended amount of detergent. GE Appliances

recommends the use of High Efficiency detergents such as  in your energy efficient unit. Place detergent pods in the bottom of the wash basket before adding clothes.

Step 2



- Loosely add items. Overloading may negatively impact wash and dry performance. See page 15 for suggested loading examples.

- Close door.

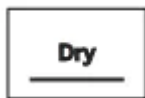
NOTE: Unit will not start with door open.

Step 3



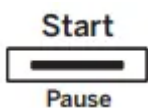
- If the screen is dark, press the Power button to “wake up” the display.
- Select a wash cycle. (Defaults are set for each wash cycle. These default settings can be changed. See Control settings for more information.)
- The unit can be used as a dryer only by turning the selector knob to one of the red dry cycles.

Step 4



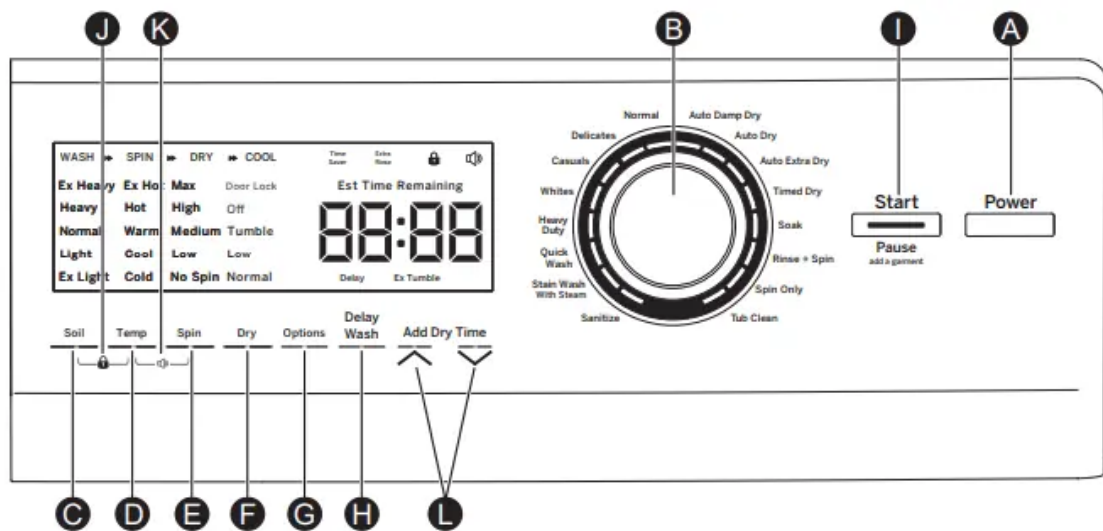
- Set the dry cycle by pressing the Dry pad. The unit will automatically run Auto Dry after the wash cycle is complete.
- Set Dry pad to Off to run a wash only cycle.

Step 5





- Press the Start/Pause button.

Controls



Display and Status Lights

The display shows cycle status (**WASH** → **SPIN** → **DRY** → **COOL**), the Estimated Time Remaining until the end of the cycle and the options selected. In addition, the display will show:

	Controls locked on.
	End of cycle signal on.
Door Lock	Door will lock from the start of the cycle until the end of the cool down phase.

A Power

Press to “wake up” the display. If the display is active, press to put the unit into standby mode.

NOTE: Pressing Power does not disconnect the appliance from the power supply.

B Cycles - Wash, Soak, Spin and Clean

The cycles are optimized for specific types of loads. The chart below will help you match the setting with the loads. The Gentle Wash™ lifters lightly tumble the clothes into the water and detergent solution to clean the load.

Items to Wash	Cycle	Soil Level	Wash Temp	Spin Selection	Dry	Options Available	Cycle Details
Cycle for normal, regular, or typical use for washing up to a full load of normally soiled cotton clothing.	Normal	Ex. Heavy Heavy Normal Light Ex. Light	Ex. Hot Hot Warm Cool Cold	Max High Medium No Spin	Off Tumble Low Normal	Time Saver Extra Rinse Extended Tumble Delay	Cycle for normal, regular, or typical use for washing up to a full load of normally soiled cotton clothing. Choose the Heavy or Extra Heavy soil level selection and Warm or Hot water temperature selection as appropriate for your clothes load for a higher degree of cleaning.
Lingerie and special care fabrics with light soil.	Delicates	Ex. Heavy Heavy Normal Light Ex. Light	Warm Cool Cold	High Medium Low No Spin	Off Tumble Low Normal	Time Saver Extra Rinse Extended Tumble Delay	For lightly soiled items labeled hand-washable. Provides gentle tumbling and soak during wash and rinse.
Casual clothes, lightly soiled office wear.	Casuals	Ex. Heavy Heavy Normal Light Ex. Light	Ex. Hot Hot Warm Cool Cold	Max High Medium Low No Spin	Off Tumble Low Normal	Time Saver Extra Rinse Extended Tumble Delay	Wash cycle tailored to care for casual clothes and office wear items.
Whites and household linens.	Whites	Ex. Heavy Heavy Normal Light Ex. Light	Ex. Hot Hot Warm Cool Cold	Max High Medium Low No Spin	Off Tumble Low Normal	Time Saver Extra Rinse Extended Tumble Delay	Cycle tailored to clean and brighten your whites.
Sturdy fabrics with heavy to medium soil.	Heavy Duty	Ex. Heavy Heavy Heavy Normal Light Ex. Light	Ex. Hot Hot Hot Warm Cool Cold	Max High Medium Low No Spin	Off Tumble Low Normal	Time Saver Extra Rinse Extended Tumble Delay	Incorporates multi-step wash and soak periods combined with extended wash periods to effectively clean heavily to medium soiled sturdy fabrics.
Small loads of lightly soiled items that are needed in a hurry.	Quick Wash	Ex. Heavy Heavy Normal Light Ex. Light	Hot Warm Cool Cold	Max High Medium Low No Spin	Off Tumble Low Normal	Extra Rinse Extended Tumble Delay	For cleaning lightly soiled loads in the fastest time possible. Cycle time is approximately 33 minutes, depending on selected options.
Cycle for heavily soiled colorfast laundry.	Stain Wash with Steam	Ex. Heavy Heavy Normal Light Ex. Light	Ex. Hot Hot Warm Cool Cold	Max High Medium No Spin	Off Tumble Low Normal	Time Saver Extra Rinse Extended Tumble Delay	Add steam to the unit to assist with stain removal for heavily soiled colorfast laundry.



Items to Wash	Cycle	Soil Level	Wash Temp	Spin Selection	Dry	Options Available	Cycle Details
Heavily soiled colorfast items with the need for sanitization.	Sanitize	Ex. Heavy Heavy Normal	Ex. Hot	Max High Medium Low No Spin	Off Tumble Low Normal	Extra Rinse Extended Tumble Delay	Use this cycle to eliminate 99.9% of bacteria from fabrics. Cycle uses an increased water temperature and a longer wash cycle to provide the sanitization benefit. A longer rinse is incorporated to remove contaminants. For best results, select the Extra Heavy soil selection if available. See NOTE below.
Use to soak clothes.	Soak	Ex. Heavy Heavy Normal Light Ex. Light	Ex. Hot Hot Warm Cool Cold			Time Saver Extended Tumble Delay	The basket will fill with water to soak and gently agitate the load. At the end of the cycle the remaining water will be drained.
For items that need only to be rinsed, use this cycle.	Rinse + Spin			Max High Medium Low No Spin	Off Tumble Low Normal	Extra Rinse Extended Tumble Delay	To quickly rinse and spin out any items at any time. Utilizes a high speed spin to extract water from wet items. To achieve a drain and spin, deselect the Extra Rinse option. This cycle will dispense prewash detergent and fabric softener.
Use to spin dry clothes that have already been washed.	Spin Only			Max High Medium Low No Spin	Off Tumble Low Normal	Delay	Utilizes a high-speed spin to extract water from wet items.
Cleaning the tub of residue and odor. No clothes to be washed using this cycle.	Tub Clean					Delay	Recommended use of at least once per month to clean the basket of residue and odor. Never load laundry when using this cycle; laundry may become damaged. Cycle incorporates a hot extended wash, intense agitation action and a flush out of the pump.

B Cycles - Dry

The cycles are optimized for specific types of loads. The chart below will help you match the setting with the loads

Items to Dry	Cycle	Soil Level	Wash Temp	Spin Selection	Dry	Options Available	Cycle Details
Use to dry clothes for a specific amount of time.	Timed Dry				Tumble Low Normal	Extended Tumble Delay	1. Once the Timed Dry cycle is selected, press the arrow pads to increase or decrease the dry time. 2. Select the dry Temp . 3. Close the door. 4. Press Start/Pause .
Use for drying heavy-duty fabrics or items that should be very dry, such as towels.	Auto Extra Dry				Tumble Low Normal	Extended Tumble Delay	The sensor continuously monitors the amount of moisture in the load by detecting temperature in the drum. The cycle ends when the moisture reaches the selected dry level.
Use for normal dryness level suitable for most loads. This is the preferred cycle for energy saving.	Auto Dry				Tumble Low Normal	Extended Tumble Delay	The sensor continuously monitors the amount of moisture in the load by detecting temperature in the drum. The cycle ends when the moisture reaches the selected dry level.
For leaving items partially damp.	Auto Damp Dry				Tumble Low Normal	Extended Tumble Delay	The sensor continuously monitors the amount of moisture in the load by detecting temperature in the drum. The cycle ends when the moisture reaches the selected dry level.

C Soil

Changing the Soil level increases or decreases the wash time to remove different amounts of soil.

To change the Soil level, press the Soil level pad until you have reached the desired setting. You can choose between Extra Light, Light, Normal, Heavy or Extra Heavy soil.

D Temp

Adjust to select the proper water temperature for the wash cycle. The rinse water is always cold to help reduce energy usage and reduce setting of stains and wrinkles.

Follow the fabric manufacturer's care label when selecting the wash temperature.

To change the wash temperature, press the Temp pad until you have reached the desired setting. You can choose between Cold, Cool, Warm, Hot or Extra Hot

E Spin

Changing the Spin setting changes the final spin speed of the cycles. Always follow the garment manufacturer's care label when changing the Spin setting.

To change the Spin setting, press the Spin setting pad until you have reached the desired setting. You can choose between No Spin, Low, Medium, High or Max. Higher spin speeds are not available on certain cycles, such as Delicates.

Higher spin speeds remove more water from the clothes and will help reduce dry time, but may also increase the possibility of setting wrinkles on some fabrics.

F Dry

Changing Dry will change the temperature for your dry cycle:

Normal - For regular to heavy cottons, synthetics, blends, and items labeled permanent press.

Low - For delicates, synthetics, and items labeled Tumble Dry Low.

Tumble - Items are continuously tumbled without heat.

Off - Unit will skip dry cycle and wash only

G Options

Press to select your desired options:

Time Saver - Choose your own timing and save it for the chosen cycle.

Extra Rinse - Extra rinse is the extra wash before the main wash. Use it for heavily soiled clothes or for clothes with a care label that recommends prewashing before washing. Be sure to add liquid or powder high-efficiency detergent, or the proper wash additive, to the prewash dispenser.

Ex Tumble - Add more tumbling time by selecting this option

H Delay Wash Use to delay the start of your unit.

1. Choose your wash cycle and any options.
2. Press Delay Wash pad. You can change the delay time in 1-hour increments (up to 24 hours) each time you press the Delay Wash pad. Stop pressing the pad when your desired time is displayed.
3. Press the Start/Pause button to start the countdown.

The countdown time will be shown in the Est Time Remaining (Estimated Time Remaining) display.

NOTES:

- If the door is opened while the unit is in Delay Wash, the countdown time will stop the count down and the display will show "door". The door must be closed and the Start/Pause button must be pressed to continue the delay time count down.
- You can delay the start of a wash cycle up to 24 hours. The light on the pad will light up when Delay Wash is on.

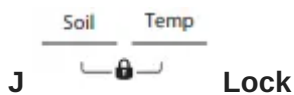


Press to start a wash cycle. If the unit is running, pressing it once will pause the unit and unlock the door. This function can be used to add garments during a cycle. Press again to restart the wash cycle.

NOTE: If the unit is paused and the cycle is not restarted within 15 minutes, the current wash cycle will be cancelled.

NOTE: In some cases the unit will drain first, then unlock the door when it is paused.

NOTE: The unit performs automatic system checks after pressing the Start/Pause button. Water will flow in 45 seconds or less. You may hear the door lock and unlock before water flows; this is normal.



You can lock the controls to prevent any selections from being made. Or you can lock or unlock the controls after you have started a cycle.

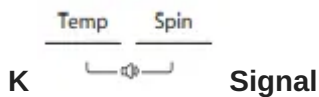
Children cannot accidentally start the unit by touching pads with this option selected.

To lock the unit, press and hold the Soil and Temp pads together for 3 seconds.

To unlock the unit controls, press and hold the Soil and Temp pads together for 3 seconds. A sound is made to indicate the lock/unlock status.

The control lock icon on the display will light up when it is on.

NOTE: The Power button can still be used when the unit is locked.



When the light is on, the unit will beep at the end of the cycle and every time you press a pad on the control panel.

To turn the signal off, press and hold the Temp and Spin pads together for 3 seconds. A sound is made to indicate the lock/unlock status.



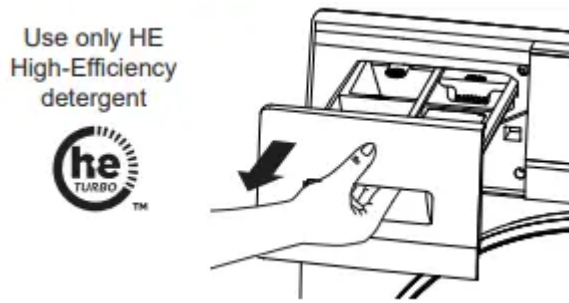
Press the up and down arrow pads to increase or decrease the Dry cycle time as desired.

Dispenser Drawer

Slowly open the dispenser drawer by pulling it out until it stops.

After adding laundry products, slowly close the dispenser drawer. Closing the drawer too quickly could result in early dispensing of the fabric softener or detergent.

You may see water in the fabric softener compartment at the end of the cycle. This is a result of the flushing/siphoning action and is part of the normal operation of the unit.



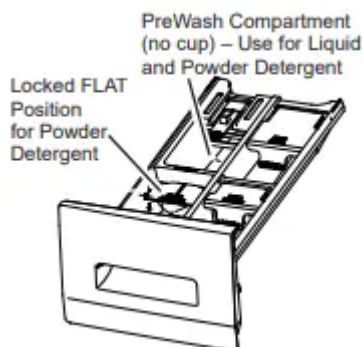
Detergent Compartment

- Only use high-efficiency detergent in this unit. Use the detergent manufacturer's recommended amount. DO NOT fill above the MAX line.
- Detergent is flushed from the dispenser at the beginning of the wash cycle. Either powdered or liquid high-efficiency detergent can be used.
- Detergent usage may need to be adjusted for water temperature, water hardness, size and soil level of the load. Avoid using too much detergent in your unit since it can lead to oversudsing and detergent residue being left on the clothes.

Divider Drawer System

The detergent compartment is in the front left of the dispenser drawer.

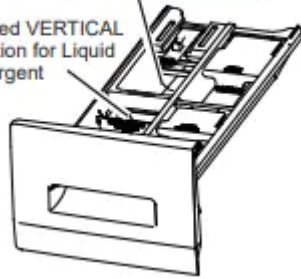
- Powder Detergent – Lock the detergent card flat into its top position in the compartment. Make sure the card is locked, then pour the suggested amount of powder detergent into the detergent dispenser.



- Liquid Detergent – Lock the detergent card vertically into its center position in the compartment. Make sure the card is locked, then pour the suggested amount of liquid detergent into the detergent dispenser

PreWash Compartment (no cup)
– Use for Liquid and Powder Detergent

Locked VERTICAL
Position for Liquid
Detergent



Fabric Softener Compartment

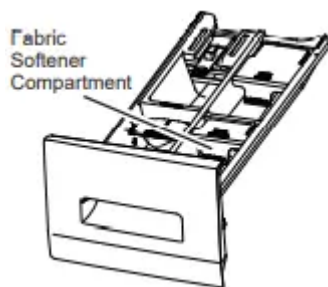
If desired, pour the recommended amount of liquid fabric softener into the compartment labeled “Fabric Softener.”

Use only liquid fabric softener in the dispenser.

Dilute with water to the maximum fill line.

Do not exceed the maximum fill line. Overfilling can cause early dispensing of the fabric softener, which could stain clothes.

NOTE: Do not pour fabric softener directly on the wash load



Loading

Sorting and Loading

Sort by color (whites, lights, colors), soil level, fabric type (sturdy cottons, easy care, delicates) and whether the fabric produces lint (terry cloth, chenille) or collects lint (velveteen, corduroy). Wash lint producers such as cotton towels and socks separate from lint collectors including synthetic garments and dress pants.

Loading to Wash

The drum may be fully loaded with loosely added items.

To add items after the unit has started, press Start/Pause and wait until the door is unlatched. The unit may take up to 30 seconds to unlock the door after pressing Start/Pause, depending on the machine conditions. Do not try to force open the door when it is locked. After the door unlocks, open gently. Add items, close the door and press Start/ Pause to restart

Loading Examples

WORKWEAR	LINENS	MIXED LOAD	DELICATES*	QUICK WASH (2-3 GARMENTS)
3 Jeans 3 Work Wear Shirts 2 Work Wear Pants	1 Bath Sheet 6 Bath Towels/ 8 Washcloths 4 Hand Towels/ 1 Terrycloth Bath Mat OR 1 Flat Queen-Sized Sheet 1 Fitted Queen-Sized Sheet 2 Pillowcases	2 Pillowcases 1 Hand Towel 1 Flat Sheet/ 1 Fitted Sheet 2 Bath Towels/ 2 Washcloths OR 4 Shirts (Men's or Women's) 3 Pair Pants (Khakis or Twills) 3 T-shirts 4 Pairs of Boxers 2 Pairs of Shorts OR 4 T-shirts 2 Pairs of Sweatpants 2 Sweatshirts 1 Hoodie 5 Pairs of Socks	4 Bras 4 panties 2 Slips 1 Camisole 3 Nightgowns *Using a nylon mesh bag for small items is recommended.	2 Casual Wear Work Shirts 1 Pair Casual Wear Work Pants OR 3 Soccer Uniforms

Loading to Dry

As a general rule, if clothes are sorted properly for the wash, they are sorted properly for the dry cycle. Try also to sort items according to size. For example, do not dry a sheet with socks or other small items.

Do not add fabric softener sheets once the load has become warm. They may cause fabric softener stains. Bounce® Fabric Conditioner Dryer Sheets have been approved for use in this unit when used in accordance with the manufacturer's instructions.

Do not overload. This wastes energy and causes wrinkling.

Care and cleaning

Water Supply Hoses

Hoses connecting unit to faucet should be replaced every 5 years.

Exterior

Immediately wipe off any spills. Wipe with damp cloth. Wipe or dust spills or washing compounds with a damp cloth.

Unit control panel and finishes may be damaged by some laundry pretreatment and stain remover products. Apply these products away from the unit. The fabric may then be washed and dried normally. Damage to your unit caused by these products is not covered by your warranty. Do not hit surface with sharp objects

Interior

Dry around the door opening, flexible gasket (including attached hoses) and door glass. These areas should always be clean to ensure a watertight seal.

It is recommended to rinse the unit at least once per month with 1 cup of bleach (or other commercially available product manufactured for this purpose, such as Tide® Washing Machine Cleaner) poured directly into the basket without clothes and using the Tub Clean Cycle.

The interior of the appliance should be cleaned once a year by qualified service personnel.

Stainless Steel

To clean stainless steel surfaces use a damp cloth with a mild, non-abrasive cleaner suitable for stainless steel surfaces. Remove the cleaner residue and then dry with a clean cloth.

The stainless steel used to make the drum provides the highest reliability available in a GE Appliances unit. If the drum should be scratched or dented during normal use, the drum will not rust or corrode. These surface blemishes will not affect the function or durability of the drum

Door Gasket

Open the door. Using both hands, press down the door gasket. Remove any foreign objects if found trapped inside the gasket. Make sure there is nothing blocking the holes behind the gasket.

While holding down the door gasket, inspect the interior of the gasket by pulling it down with your fingers. Remove any foreign objects if found trapped inside this gasket. Make sure there is nothing blocking the holes behind the gasket.

When you are finished cleaning the door gasket, remove your hands and the gaskets will return to the operating position.

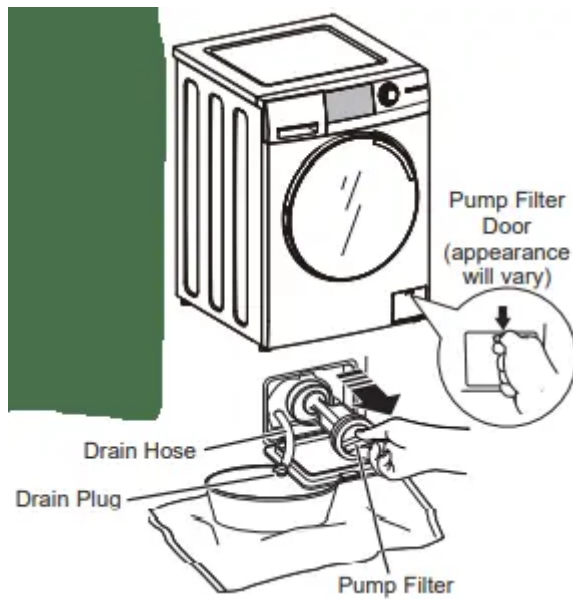


Pump Filter

Clean EVERY MONTH to remove any items that may have been caught in the filter or housing.

Due to the nature of the front-load unit, it is sometimes possible for small articles to pass to the pump. The unit has a filter to capture lost items so they are not dumped to the drain. To retrieve lost items, clean out the pump filter.

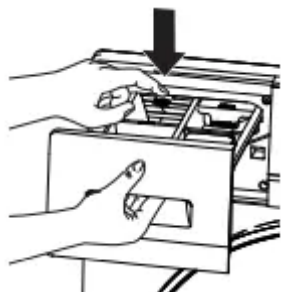
1. Open the door on the bottom right of the front of the unit.
2. Twist the small white cap counterclockwise a quarter turn and unhook the small rubber hose. Pull the hose out of the hole and remove the white drain hose plug above a small pan to capture any water that may drain. Drain the excess water. Replace.
3. Unscrew the pump filter. Rinse off any debris. Replace.
4. Close the access door.



Dispenser Drawer Area

Detergent and fabric softener may build up in the dispenser drawer. Residue should be removed once or twice a month.

- Remove the drawer by first pulling it out until it stops. Then reach back into the rear of the drawer cavity and press down firmly on the lock tab, pulling out the drawer.



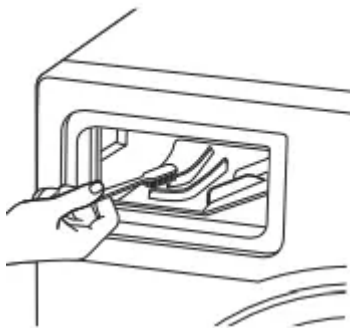
- Remove the insert from the dispenser drawer. Rinse the insert and drawer with hot water to remove traces of accumulated laundry products.



- To clean the drawer opening, use a small brush to clean the recess. Remove all residue from the upper and lower parts of the recess.
- Return inserts to the proper compartments. Replace the dispenser drawer.
- To reduce buildup in the Dispenser Drawer area:



Use only HE High-Efficiency detergent.



Moving and Storage

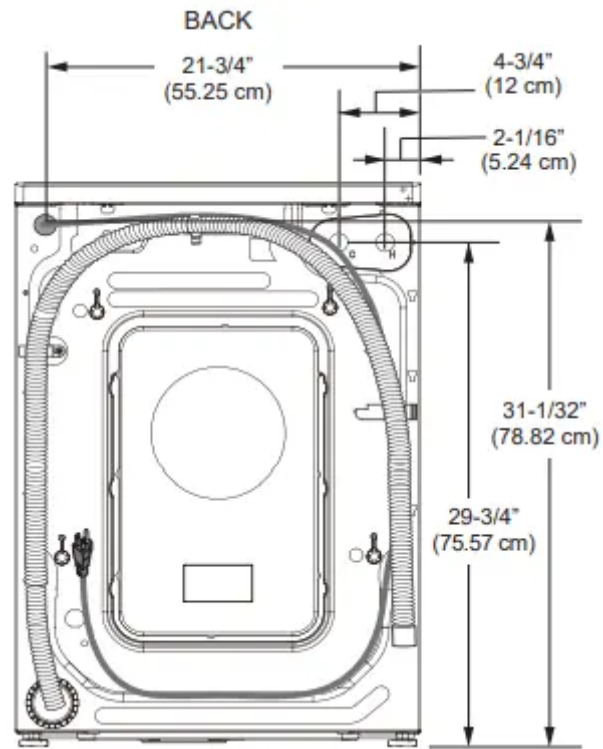
Ask the service technician to remove water from drain pump and hoses. Do not store the unit where it will be exposed to the weather. When moving the unit, the tub should be kept stationary by using the shipping bolts removed during installation. See Installation Instructions in this manual. If these parts are not available, they can be ordered by visiting our Website at GEApplianceparts.com or by calling GE Appliances at 877.959.8688. In Canada, visit your local GE Appliances parts distributor or call 800.661.1616

Long Vacations

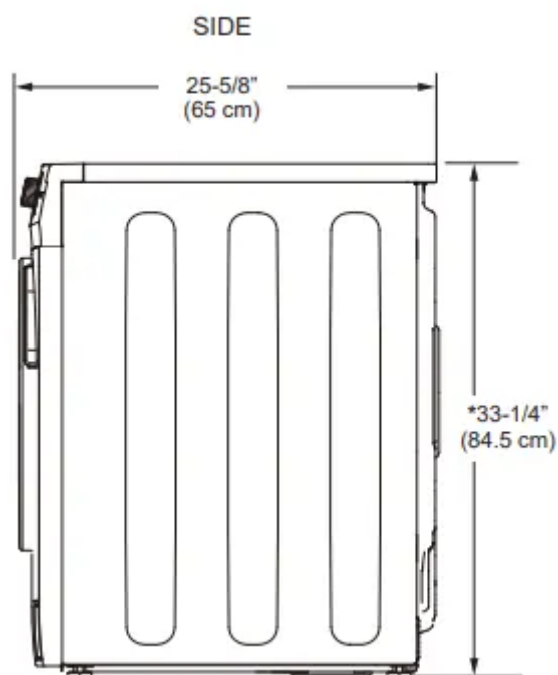
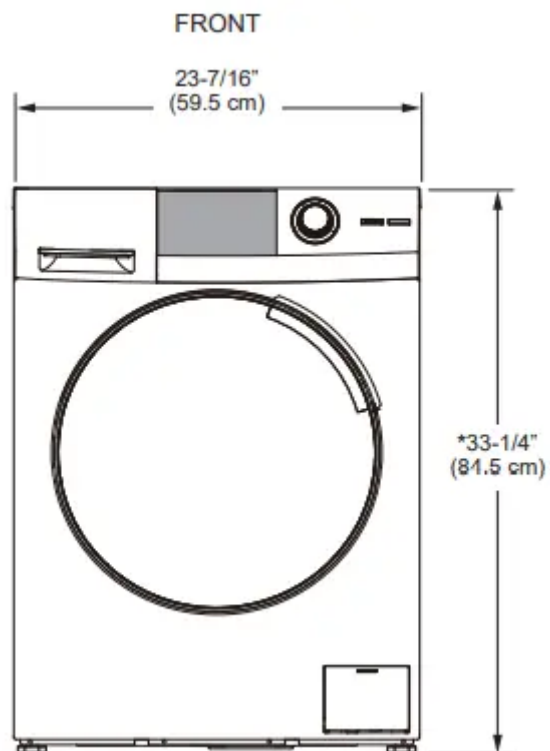
Be sure water supply is shut off at faucets. Drain all water from hoses and water filter pump area if weather will be below freezing.

Installation Instructions

CONNECTION DIMENSIONS



ROUGH-IN DIMENSIONS

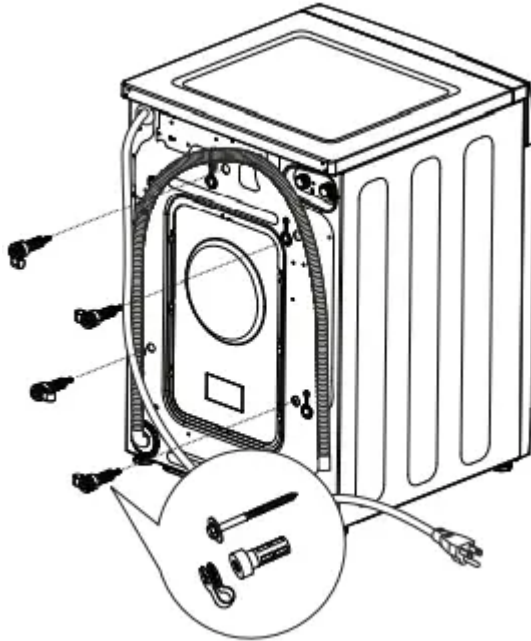


UNPACKING THE UNIT

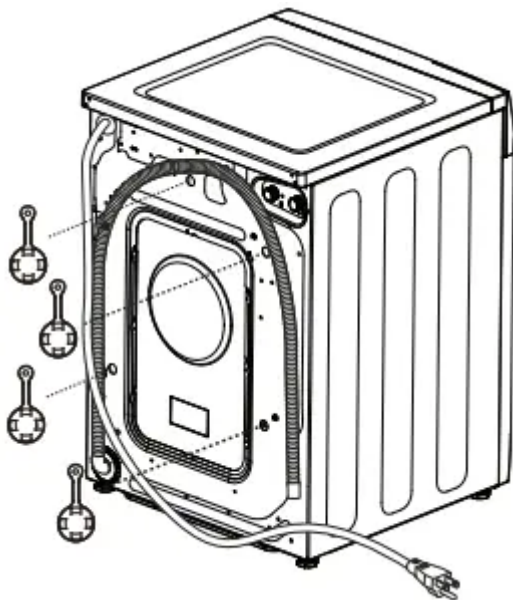
1. Cut and remove all packaging straps.
2. While it is in the carton, carefully lay the unit on its side. DO NOT lay the unit on its front or back.
3. Turn down the bottom flaps. Remove all base packaging including the styrofoam base.

4. Carefully return the unit to an upright position and remove the carton by lifting it upward.
5. Carefully move the unit to within 4 feet (122 cm) of the final location.
6. Remove the following from the back side of the unit: 4 bolts , 4 plastic spacers (including rubber grommets)

NOTE: Do NOT remove the screw or clip holding the hose



7. Insert shipping bolt hole covers into shipping bolt holes.



NOTES:

- Failure to remove the shipping braces can cause the unit to become severely unbalanced.

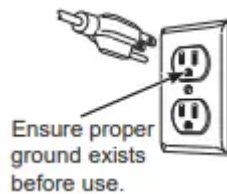
- **IMPORTANT:** Save all bolts for future use. If you must transport the unit at a later date, you must reinstall the shipping support hardware to prevent shipping damage. Keep the hardware in the plastic bag provided.

ELECTRICAL REQUIREMENTS

CIRCUIT – Individual, properly polarized and grounded or 20 amp circuit breaker or time-delay fuse.

POWER SUPPLY – 2 wire plus ground, 120 Volt, single phase, 60 Hz, alternating current.

Outlet Receptacle – Properly grounded 3-prong receptacle to be located so the power cord is accessible when the unit is in an installed position. If a 2-prong receptacle is present, it is the owner's responsibility to have a licensed electrician replace it with a properly grounded 3-prong grounding type receptacle.



Unit must be electrically grounded in accordance with local codes and ordinances, or in the absence of local codes, with latest edition of the NATIONAL ELECTRICAL CODE, ANSI/NFPA NO. 70 or CANADIAN ELECTRICAL CODE, CSA C22.1. Check with a licensed electrician if you are not sure that the unit is properly grounded.

GROUNDING INSTRUCTIONS

This appliance must be grounded. In the event of malfunction or breakdown, grounding will reduce the risk of electric shock by providing a path of least resistance for electric current. This appliance is equipped with a cord having an equipment- grounding conductor and a grounding plug. The plug must be plugged into an appropriate outlet that is properly installed and grounded in accordance with all local codes and ordinances.

Improper connection of the equipment grounding conductor can result in a risk of electrical shock. Check with a qualified electrician, or service representative or personnel, if you are in doubt as to whether the appliance is properly grounded. **DO NOT** modify the plug on the power supply cord. If it will not fit the outlet, have a proper outlet installed by a qualified electrician.

WATER SUPPLY REQUIREMENTS

Hot and cold water faucets **MUST** be installed within 42 inches (107 cm) of your unit's water inlet. The faucets **MUST** be 3/4" (1.9 cm) garden hose-type so inlet hoses can be connected. Water pressure **MUST** be between 10 and 120 pounds per square inch. Your water

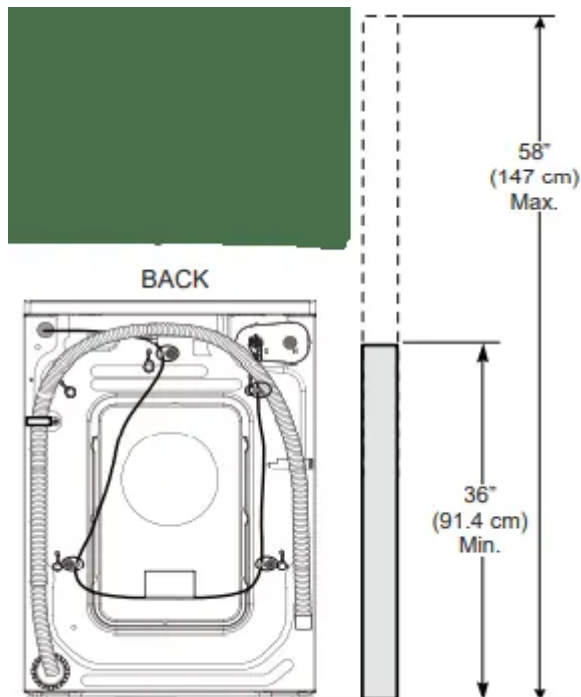
department can advise you of your water pressure. The hot water temperature should be set to deliver water at 120° to 140°F (48°–60°C) to provide proper Automatic Temperature Control (ATC) performance.

DRAIN REQUIREMENTS

1. Drain capable of eliminating 9.5 gals (36 L) per minute.
2. A standpipe diameter of 1-1/4" (3.18 cm) minimum.
3. The standpipe height above the floor should be:

Minimum height: 36" (91.4 cm)

Maximum height: 58" (147 cm)



INSTALLING THE UNIT

1. Run some water from the hot and cold faucets to flush the water lines and remove particles that might clog the water valve screens.
2. Remove the inlet hoses from the plastic bag. Remove black rubber washers from bag and insert into hose fitting before connecting to unit.
3. (90° elbow end)

Carefully connect the inlet hose marked H^{OT} to the outside "H" outlet of the water valve. Tighten by hand; then tighten another turn with pliers. Carefully connect the other inlet hose to the inside "C" outlet of the water valve. Tighten by hand; then tighten another 2/3 turn with pliers. Do not cross thread or overtighten these connections.



4. Connect the inlet hose ends to the HOT and COLD water faucets tightly by hand; then tighten another 2/3 turn with pliers. Turn the water on and check for leaks.

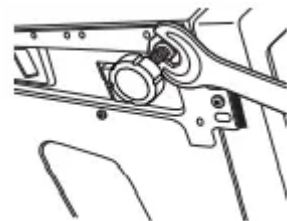


5. Carefully move the unit to its final location. Gently rock the unit into position. It is important not to damage the rubber leveling legs when moving your unit to its final location. Damaged legs can increase appliance vibration. It may be helpful to spray window cleaner on the floor to help move your unit into its final position. NOTE: To reduce vibration, ensure that all four rubber leveling legs are firmly touching the floor. Push and pull on the back right and then back left of your unit.

NOTE: Do not use the dispenser drawer or door to lift the unit.

NOTE: If you are installing into a drain pan, you can use a 24-inch-long 2x4 to lever the unit into place.

6. With the unit in its final position, place a level on top of the unit (if the unit is installed under a counter, the unit should not be able to rock). Adjust the front leveling legs up or down to ensure the unit is resting solidly and level front-to-back and left to-right. It may also be necessary to adjust the rear legs. Turn the locknuts on each leg up toward the base of the unit and snug with a wrench.



7. Attach U-shaped hose guide to the end of the drain hose. Place the hose in a laundry tub or standpipe.

Drain hose should be secured to the home or adjacent faucet with a zip-tie to keep it from coming free during operation.



NOTE: If the drain hose is placed in a standpipe without forming a U shape, a siphoning action could occur. There must be an air gap around the drain hose. A snug hose fit can also cause a siphoning action.

NOTE: Do not place drain hose deeper than 7" into the drain. 4" - 7" is suggested. Deeper than 7" can cause a siphoning action.

8. Plug the power cord into a grounded outlet.

NOTE: Check to be sure the power is off at the circuit breaker/fuse box before plugging the power cord into an outlet.

9. Turn on the power at the circuit breaker/fuse box.

10. Read the rest of this Owner's Manual. It contains valuable and helpful information that will save you time and money.

11. Before starting the unit, check to make sure:

- Main power is turned on.
- The unit is plugged in.
- The water faucets are turned on.
- The unit is level and all four leveling legs are firmly on the floor.
- The shipping support hardware is removed and saved.
- The drain hose is properly tied up.
- There are no leaks at the faucet, drain line or unit.

12. Run the unit through a complete cycle. Check for water leaks and proper operation.

13. If your unit does not operate, please review the Troubleshooting Tips section before calling for service.

14. Place these instructions in a location near the unit for future reference.

Troubleshooting Tips

Not draining Not spinning Not tumbling

- Load is out of balance
 - Redistribute clothes and run Rinse+Spin. Increase load size if washing small load containing heavy and light items.
- Pump filter may be clogged
 - See the Care and Cleaning section on how to clean the Pump Filter.
- Drain hose is kinked or improperly connected
 - Straighten drain hose and make sure unit is not sitting on it.

- Household drain may be clogged
 - Check household plumbing. You may need to call a plumber.
- Drain hose siphoning; drain hose pushed too far down the drain
 - Ensure there is an air gap between hose and drain.

Leaking water

- Door gasket is damaged
 - Check to see if gasket is seated and not torn. Objects left in pockets may cause damage to the unit (nails, screws, pens, pencils)
 - Water may drip from the door when the door is opened. This is a normal operation.
 - Carefully wipe off rubber door seal. Sometimes dirt or clothing is left in this seal and can cause a small leak
- Check back left of the unit for water
 - If this area is wet, you have oversudsing condition. Use less detergent.
- Fill hoses or drain hose is improperly connected
 - Make sure hose connections are tight at unit and faucets and make sure end of drain hose is correctly inserted in and secured to drain facility.
- Household drain may be clogged
 - Check household plumbing. You may need to call a plumber.
- Dispenser clogged
 - Powder soap may cause clogs inside the dispenser and cause water to leak out the front of the dispenser. Remove drawer and clean both drawer and inside of dispenser box. Please refer to Care and Cleaning section.
- Incorrect use of detergent
 - Use only HE and correct amount of detergent.

Clothes too wet

- Load is out of balance
 - Redistribute clothes and run Rinse+Spin.
 - Increase load size if washing small load containing heavy and light items.
- Pump filter may be clogged
 - See the Care and Cleaning section on how to clean the Pump Filter.

- Overloading
 - Load your unit so clothes have enough room to move freely.
- Drain hose is kinked or improperly connected
 - Straighten drain hose and make sure unit is not sitting on it.
- Household drain may be clogged
 - Check household plumbing. You may need to call a plumber.
- Drain hose siphoning; drain hose pushed too far down the drain
 - Ensure there is an air gap between hose and drain.

Incomplete cycle or timer not advancing

- Automatic load redistribution
 - Timer stops at 1 minute; machine has redistributed the load once or twice. This is normal operation.
 - Do nothing; the machine will finish the wash cycle.
- Pump filter may be clogged
 - See the Care and Cleaning section on how to clean the Pump Filter.
- Drain hose is kinked or improperly connected
 - Straighten drain hose and make sure unit is not sitting on it.
- Household drain may be clogged
 - Check household plumbing. You may need to call a plumber.
- Drain hose siphoning; drain hose pushed too far down the drain
 - Ensure there is an air gap between hose and drain.

Loud or unusual noise; vibration or shaking

- Cabinet moving
 - Unit is designed to move 1/4" to reduce forces transmitted to the floor. This movement is normal.
- All rubber leveling legs are not firmly touching the floor
 - Push and pull on the back right and then back left of your unit to check if it is level. If the unit is uneven, adjust the rubber leveling legs so they are all firmly touching the floor and locked in place.
- Unbalanced load
 - Pause unit, open door and manually redistribute load. To check machine, run rinse and spin with no load. If normal, unbalance was caused by load.

- Pump filter may be clogged
 - See the Care and Cleaning section on how to clean the Pump Filter.

No power/unit not working or dead

- Unit is unplugged
 - Make sure cord is plugged securely into a working outlet.
- This is normal. Control panel is “asleep”.
 - Press the Power button to “wake up” the display.
- Unit was accidentally paused when starting Delay Dry
 - If the light on the Start/Pause button is flashing, the unit is paused. Press Start/Pause button to restart the countdown.
- Water supply is turned off
 - Turn both hot and cold faucets fully on.
- Circuit breaker/fuse is tripped/blown
 - Check house circuit breakers/fuses. Replace fuses or reset breaker. Unit should have separate outlet.
- Automatic self system checks
 - First time the unit is plugged in, automatic checks occur. It may take up to 20 seconds before you can use your unit. This is normal operation.

Snags, holes, tears, rips or excessive wear

- Pens, pencils, nails, screws or other objects left in pockets
 - Remove loose items from pockets.
- Pins, snaps, hooks, sharp buttons, belt buckles, zippers and sharp objects left in pockets
 - Fasten snaps, hooks, buttons and zippers.

Control time wrong or changes

- This is normal
 - During spin the unit may need to rebalance the load sometimes to reduce vibrations. When this happens, the estimated time is increased causing time left to increase or jump.

Not enough water

- This is normal
 - Horizontal machines do not require the tub to fill with water like top-load machines.

Unit pauses or has to be restarted, or its door is locked and will not open

- Pump filter may be clogged
 - See the Care and Cleaning section on how to clean the Pump Filter.

Door unlocks or press Start and machine doesn't operate

- This is normal
 - Front-load machines start up differently than top-load machines, and it takes several seconds to check the system. The door will lock and unlock.
- Incorrect operation
 - Simply open and close the door firmly; then press Start.

Water does not enter unit or enters slowly

- Automatic self system checks
 - After Start is pressed, the unit does several system checks. Water will flow several seconds after Start is pressed.
- Water valve screens are stopped up
 - Turn off the water source and remove the water connection hoses from the upper back of the unit. Use a brush or toothpick to clean the screens in the machine. Reconnect the hoses and turn the water back on.
- Inlet hose screen washers are stopped up
 - Turn off the water source and remove the inlet hoses from the wall faucets. Use a brush or toothpick to clean the screen washers in the end of the hoses. Reconnect the hoses and turn the water back on.
- Pump filter may be clogged
 - See the Care and Cleaning section on how to clean the Pump Filter.
- Fill hoses may be kinked
 - Check that fill hoses are not kinked or clogged.
- Water supply is turned off
 - Turn on both hot and cold faucets fully.
- Energy efficiency
 - This is an energy-efficient unit. As a result, the temperature settings for this unit may be different than for a non-energy efficient unit.

- Insufficient water supply
 - Make sure that the water supply is turned on. Make sure that the water faucets are turned to their completely open position.
- The door is open
 - The door must be closed for all cycle operations. If the door is opened during operation, all functions will stop, including water filling.
- Incorrect fill hose connection
 - Make sure that the fill hoses connect the hot water supply to the hot inlet on the unit and the cold water supply to the cold inlet on the unit (hot to hot, cold to cold).

Wrinkling

- Improper sorting
 - Avoid mixing heavy items (like work clothes) with light items like blouses).
- Overloading
 - Load your unit so clothes have enough room to move freely. For best drying results, load the unit 2/3 full.
- Incorrect wash cycle
 - Match cycle selection to the type of fabric you are washing especially for easy care loads).
- Repeated washing in water that is too hot
 - Wash in warm or cold water.

Grayed or yellowed clothes

- Not enough detergent
 - Use correct amount of detergent.
- Not using HE (high efficiency) detergent
 - Use only HE detergent.
- Hard water
 - Use hottest water safe for fabric.
 - Use a water conditioner like Calgon brand or install a water softener.
- Water is not hot enough
 - Make sure water heater is delivering water at 120°–140°F (48°–60°C).

- Detergent is not dissolving
 - Try a liquid HE detergent.
- Dye transfer
 - Sort clothes by color. If fabric label states wash separately, unstable dyes may be indicated.

Colored spots

- Incorrect use of fabric softener
 - Check fabric softener package for instructions and follow directions for using dispenser.
- Dye transfer
 - Sort whites or lightly colored items from dark colors.
 - Promptly remove wash load from unit.

Water temperature is incorrect

- Water supply is improperly connected
 - Make sure hoses are connected to correct faucets.
- House water heater is not set properly
 - Make sure house water heater is delivering water at 120°– 140°F (48°–60°C).

Slight variation in metallic color

- This is normal
 - Due to the metallic properties of paint used for this unique product, slight variations of color may occur due to viewing angles and lighting conditions.

Bad odor inside your machine

- Unit unused for a long time, not using recommended quality of HE detergent or used too much detergent
 - Run a Tub Clean cycle.
 - In case of strong odor, you may need to run the Tub Clean cycle more than once.
 - Use only the amount of detergent recommended on the detergent container.
 - Use only HE (high efficiency) detergent.
 - Always remove wet items from the unit promptly after machine stops running.
 - Leave the door slightly open for the water to air dry. Close supervision is necessary if this appliance is used by or near children. Do not allow children to play on or in this or any other appliance.

Detergent leak

- Incorrect placement of detergent insert
 - Make sure detergent insert is properly located and fully seated. Never put detergent above max line.
- This is normal
 - It is normal operation to see detergent leak on door gasket about 20 seconds after filling the dispenser.

Improper dispensing of softener

- Dispenser clogged
 - Monthly clean the dispenser drawer to remove buildup of chemicals.
- Softener is filled above the max line
 - Make sure to have the correct amount of softener.
- Softener cap issue
 - Make sure softener cap for dispenser is seated or it will not work.

Dispenser drawer not dispensing properly

- Laundry detergent packet placed in dispenser drawer
 - Laundry detergent packets should not be used in the dispenser. They should only be added directly to the wash tub following the manufacturer's directions.

Pump running while unit is not in use

- Clog in sump drain
 - This is normal. Drain sump is detecting an undesired water fill level from a potential open faucet. Shut off water valve and inspect water valve for blockage.

Clothes take too long to dry

- Improper sorting
 - Separate heavy items from lightweight items (generally, a well-sorted washer load is a well-sorted dryer load).
- Large loads of heavy fabrics (like beach towels)
 - Large, heavy fabrics contain more moisture and take longer to dry. Separate large, heavy fabrics into smaller loads to speed drying time.
- Non-venting unit
 - Condensing dryers usually take longer to dry than a vented dryer.

- Controls improperly set
 - Match control settings to the load you are drying.
- Blown fuses or tripped circuit breaker
 - Replace fuses or reset circuit breakers. Since most dryers use fuses/breakers, make sure both are operating.
- Overloading/combining loads
 - Do not put more than one washer load in the unit at a time.
- Underloading
 - If you are drying only one or two items, add a few items to ensure proper tumbling.

The Dry dryness level was chosen but load is still damp

- Load consists of a mixture of heavy and light fabrics
 - When combining heavy and light fabrics in a load, choose Auto Extra Dry.

Control buttons not responding

- Controls accidentally put in service mode
 - Press Start/Pause.
- Controls accidentally put in lock mode
 - Hold the Soil and Temp buttons for 3 seconds to unlock the unit.
- Controls performed an incorrect operation
 - Reset the in-house breaker.

No numbers displayed during cycle, only lights

- Unit is continuously monitoring the amount of moisture in the clothes
 - This is normal. When the unit senses a low level of moisture in the load, the unit will display the dry time remaining.

Time Remaining jumped to a lower number

- The estimated time may change when a smaller load than usual is drying
 - This is normal.

Cannot make a selection and the unit beeps twice

- The dryness Level, Temp or option that you are trying to select is incompatible with the chosen dry cycle
 - This is normal.

Unit is running but 00 is displayed in Time Remaining

- The Ext Tumble option was chosen
 - This is normal. During extended tumbling, the time remaining is not displayed. The extended tumbling option lasts approximately 60 minutes.

Unit doesn't heat

- Fuse is blown/circuit breaker is tripped; the unit may tumble but not heat
 - Check the building's fuse/circuit breaker box and replace both fuses or reset both breakers. Your unit may tumble if only one fuse is blown or one breaker tripped.

Inconsistent drying times

- Type of load and drying conditions
 - The load size, types of fabric, wetness of clothes and/or air intake vent located on the front of the unit will affect drying times.
- Excess debris has collected on the fan preventing proper airflow
 - Refer to the Care and Cleaning section.

Clothes are still wet and unit shuts off after a short time

- The door was opened mid-cycle. The load was then removed from the unit and a new load put in without selecting a new cycle
 - A dry cycle must be reselected each time a new load is put in.
- Load was already dry except for collars and waistbands
 - Choose Timed Dry to dry damp collars and waistbands. In the future, when drying a load with collars and waistbands, choose Auto Extra Dry.
- Unit is not level
 - Move unit to an even floor space or adjust leveling legs as necessary until even.

Clothes are wrinkled

- Letting items sit in unit after cycle ends
 - Remove items when cycle ends and fold or hang immediately, or use the Ext Tumble option.
- Overloading
 - Separate large loads into smaller ones.

Clothes shrink

- Some fabrics will naturally shrink when washed. Others can be safely washed, but will shrink while drying in the unit.
 - To avoid shrinkage, follow garment care labels exactly. Some items may be pressed back into shape after drying. If you are concerned about shrinkage in a particular item, do not machine wash or tumble dry it.

Greasy spots on clothes

- Improper use of fabric softener
 - Follow directions on fabric softener package.
- Drying dirty items with clean ones
 - Use your unit to dry only clean items. Dirty items can stain clean items and the unit.
- Clothes were not completely clean
 - Sometimes stains which cannot be seen when the clothes are wet appear after drying. Use proper washing procedures before drying.

Lint on clothes

- Improper sorting
 - Sort lint producers (like chenille) from lint collectors (like corduroy).
- Static electricity can attract lint
 - See suggestions in this section under Static occurs.
- Overloading
 - Separate large loads into smaller ones.
- Paper, tissue, etc., left in pockets
 - Empty all pockets before laundering clothes.

Static occurs

- No fabric softener was used
 - Try a fabric softener.
- Synthetics, permanent press and blends can cause static
 - Try a fabric softener

Collars and waistbands still wet at end of cycle

- The dryness monitor senses that the body of the clothes is dry
 - Choose Timed Dry to dry damp collars and waistbands. In the future, when drying a load with collars and waistbands, choose Auto Extra Dry.

Unit continues to tumble after display says Complete

- Ext Tumble was selected
 - Ensure Ext Tumble option is not selected.

Warning

This content is compiled from multiple sources and is provided for reference purposes only. It may not be complete or fully applicable to all situations. If you are unable to resolve your issue, please contact the product manufacturer or an authorized service provider for official support.